



INSTALLATION INSTRUCTIONS

30" Integrated Bottom Freezer Refrigerator
30" Integrated Bottom Freezer Wine Reserve

ENGLISH/FRANÇAIS/ESPAÑOL.

Safety Information

BEFORE YOU BEGIN

Read these instructions completely and carefully.

- **IMPORTANT** – Save these instructions for local inspector's use. Observe all governing codes and ordinances.
- **Note to Installer** – Be sure to leave these instructions with the Consumer.
- **Note to Consumer** – Keep these instructions with your Owner's Manual for future reference.

If you received a damaged unit, you should immediately contact your dealer or builder.

Skill Level – Installation of this unit requires basic mechanical, carpentry and plumbing skills. Proper installation is the responsibility of the installer. Product failure due to improper installation is not covered under the Monogram Warranty. See the Owner's Manual for warranty information.

⚠ WARNING **Electrical Shock Hazard.**

Plug into a grounded 3-prong outlet.

Do not remove the ground prong.

Do not use an adapter.

Immediately discontinue use of a damaged supply cord.

If the supply cord is damaged it must be replaced by a qualified service professional with an authorized service part from the manufacturer.

Do not use an extension cord with this appliance.

Failure to follow these instructions can result in death, fire, or electrical shock.

Follow the instructions in the section Grounding the unit.

This appliance must be installed with a means in the fixed house wiring or circuit breaker for disconnecting the appliance from the electrical supply after installation.

⚠ WARNING **Tip Over Hazard.**

These appliances are top heavy, especially with any doors open, and must be secured to prevent tipping forward which could result in death or serious injury. Read and follow the entire installation instructions for securing the appliance with the anti-tip system.

⚠ WARNING **Explosion Hazard.**

Keep flammable materials and vapors, such as gasoline, away from appliance. Failure to do so can result in fire, explosion, or death.

⚠ WARNING To reduce the risk associated with choking, do not allow children under 3 years of age to have access to small parts during the installation of this product.

⚠ CAUTION **Lifting Hazard**

This unit is very heavy. To reduce the risk of person injury during maneuvering and installing this appliance, 2 people are required for proper installation.

⚠ CAUTION Keep fingers out of the "pinch point" areas; clearances between the doors and between the doors and cabinet are necessarily small. Be careful closing doors when children are in the area.

For Monogram local service in your area, visit monogram.com or call 800.444.1845.

For Monogram service in Canada, visit monogram.ca or call 800.561.3344.

For Monogram Parts and Accessories, visit monogram.com or call 800.444.1845.

For Monogram Parts and Accessories in Canada, visit monogram.ca or call 800.661.1616.

Safety Information

⚠ WARNING  **EXPLOSION HAZARD Flammable Refrigerant**

This appliance contains isobutane refrigerant, R600a, a natural gas with high environmental compatibility. However, it is also combustible.

Adhere to the warnings below to reduce the risk of injury or property damage.

- | | |
|---|---|
| <ol style="list-style-type: none"> 1) When handling, installing and operating the appliance, care should be taken to avoid damage to the refrigerant tubing. 2) Service shall only be performed by authorized service personnel. Use only manufacturer-authorized service parts." | <ol style="list-style-type: none"> 3) Dispose of unit in accordance with Federal and Local Regulations. Flammable refrigerant and insulation material used require special disposal procedures. Contact your local authorities for the environmentally safe disposal of your unit. 4) Keep ventilation openings in the appliance enclosures or in the built-in structure clear of obstruction. 5) Do not use mechanical devices or other means to accelerate the defrosting process. 6) Do not damage refrigerant circuit. 7) Do not use electrical appliances inside the food storage compartment of the appliance. |
|---|---|

Contents

Design Guide

Cabinet Enclosure Dimensions for Fully Integrated Instructions	4
Unit Dimensions with 3/4" Panels	5
Cabinet Enclosure Dimensions for Single or Multiple Units	6
The Installation Space (per unit)	7
Grounding the Unit	7
115° Door Swing	8
90° Door Swing	9
SS Panel Accessory & Dimensions	10
3/4" (1.9 cm) Custom Panel Dimensions	11

Installation Instructions for Single Unit

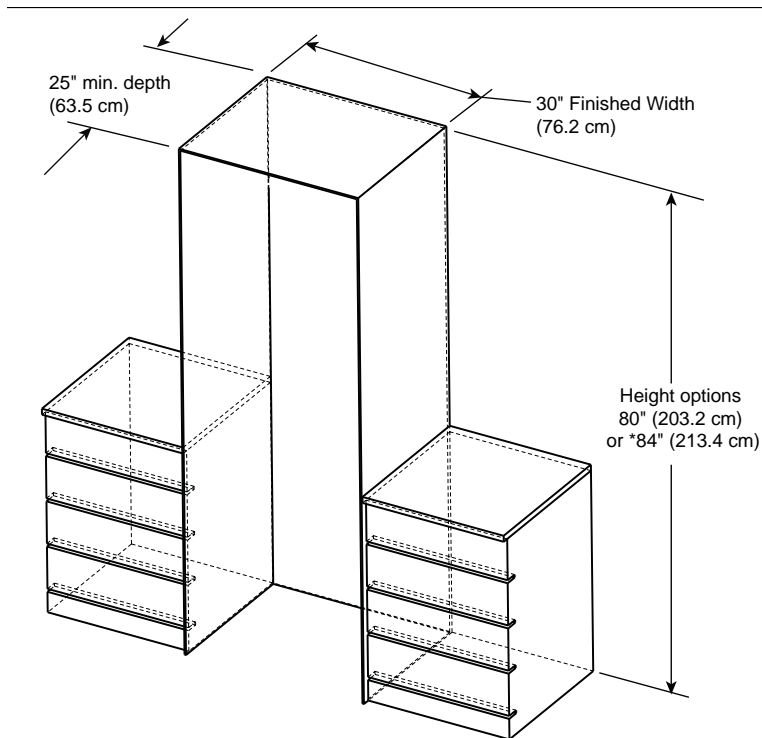
Tools, Hardware, Materials	12
Step 1. Remove Packaging	13
Step 2. Install Anti-tip Bracket	14
Step 3. Connect Water Line	14
Step 4. Connect Power	14
Step 5. Slide Unit into Enclosure	15
Step 6. Remove Toekick and Vent	15
Step 7. Level Unit	15
Step 8. Install Toekick and Vent	16
Step 9. Reverse Door Swing	16
Step 10. Adjust Door Swing	17
Step 11. Install Door Bracket Covers	17
Step 12. Install Door and Drawer Panels	18
Step 13. Start Icemaker	19

Installation Instructions for Multiple Units

Tools, Hardware, Materials	20
Step 1. Remove Packaging	21
Step 2. Install Heater Unification Kit(S) to Unit 2	22
Step 3. Reverse Door Swing (Unit 1)	24
Step 4. Adjust Door Swing (Unit 1)	26
Step 5. Install Door Bracket Covers (Unit 1)	26
Step 6. Installing Other Units	26
Step 7. Join Units	26
Step 8. Install Anti-Tip Brackets	27
Step 9. Connect Water Line	27
Step 10. Connect Power	27
Step 11. Slide Units into Enclosures	28
Step 12. Install Hinge Guard	28
Step 13. Connect Heater	28
Step 14. Level Units	29
Step 15. Install Toekick And Vent	30
Step 16. Install Front Trim	30
Step 17. Install Door and Drawer Panels	31
Step 18. Start Icemaker	32

Design Guide (One Unit)

Cabinet Enclosure Dimensions For Fully Integrated Instructions



The cutout depth must be 25" for flush installations.

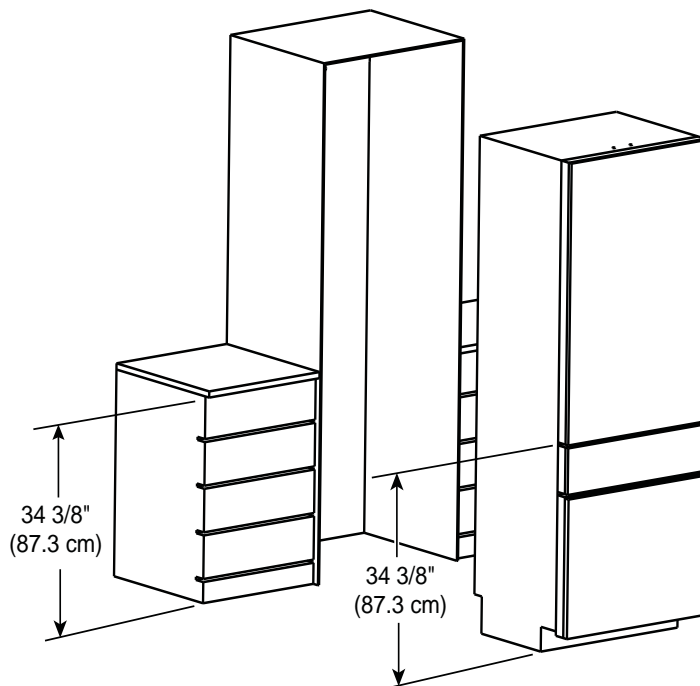
- The front face of the unit fits flush with 25" (63.5 cm) depth adjacent cabinets.
- The unit can fit into a 80" (203.2 cm) minimum, 84" (213.4 cm) maximum high enclosure. The unit itself can only be raised to 80-3/8" (204.2 cm).
- The refrigerator door panel can be constructed to fill additional height; see Stainless Steel or Custom Panel sections.



Design Tip: We recommend finishing the inside surface of the enclosure a min. of 4" (10.2 cm) from the front face.



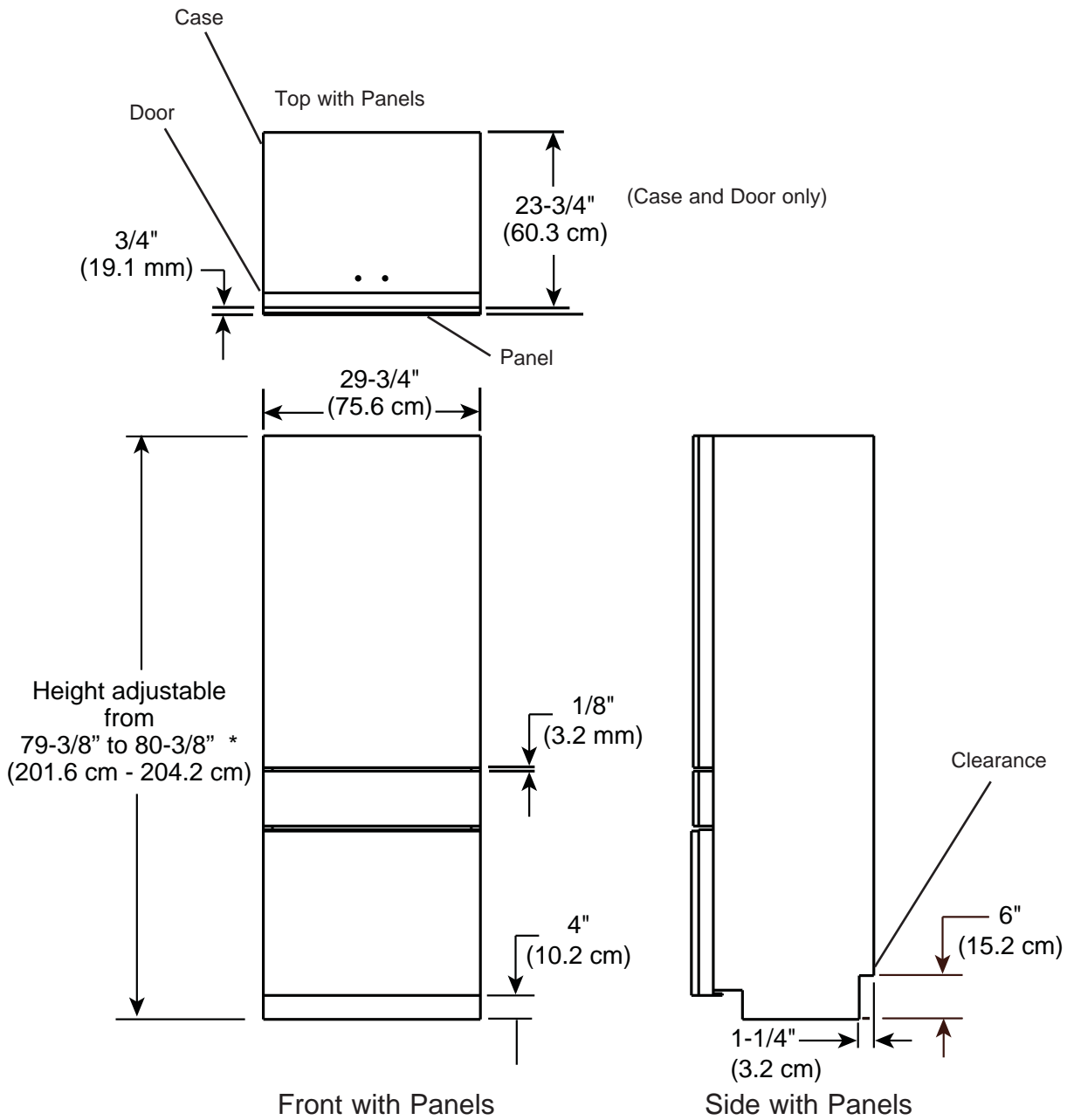
Design Tip: If using 84" (213.4 cm) enclosure, consider adding a finished valence above the unit case.



Design Tip: It is possible to align your unit drawer with adjacent cabinetry for a completely integrated look.

Design Guide

Unit Dimensions with 3/4" Panels



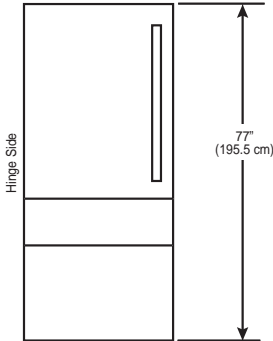
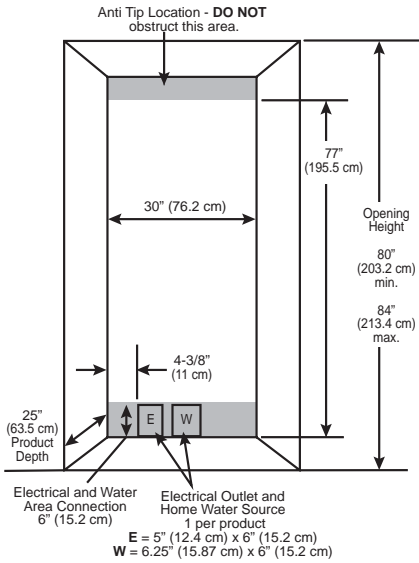
* The Unit can be adjusted to fit into a cabinet space that is $83\frac{3}{8}$ " (211.8 cm) to $84\frac{3}{8}$ " (214.3 cm) with the appropriate door panel kit.

Install Clearances		
Top $\frac{1}{8}$ " / 3mm	Each Side $\frac{1}{4}$ " / 6mm	Rear $\frac{1}{2}$ " / 12mm

Design Guide

Cabinet Enclosure Dimensions for Single or Multiple Units

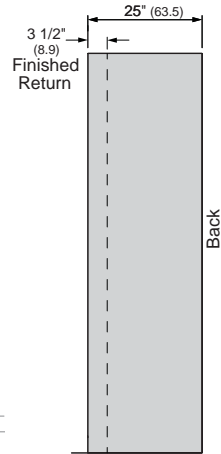
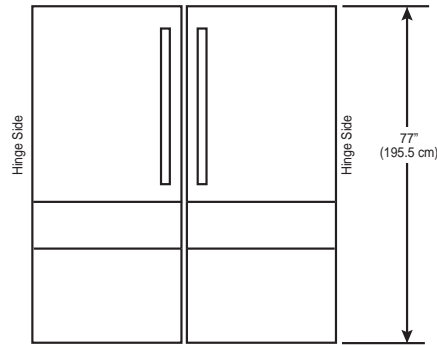
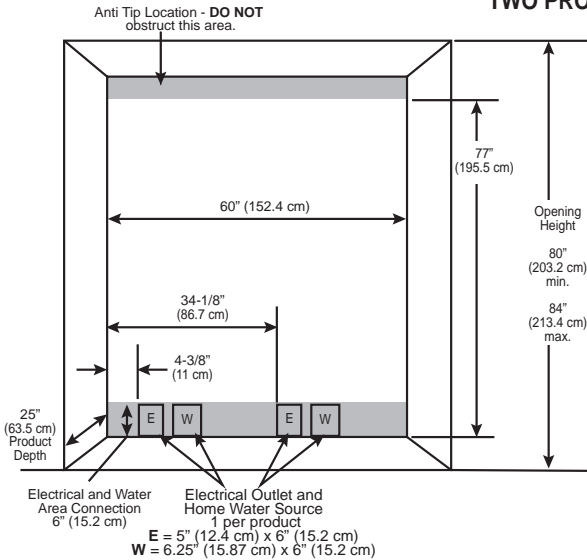
ONE PRODUCT INSTALLATION



NOTES:

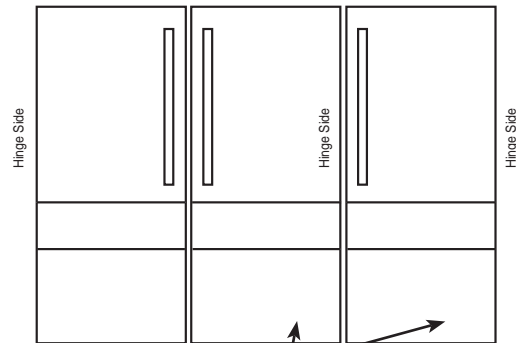
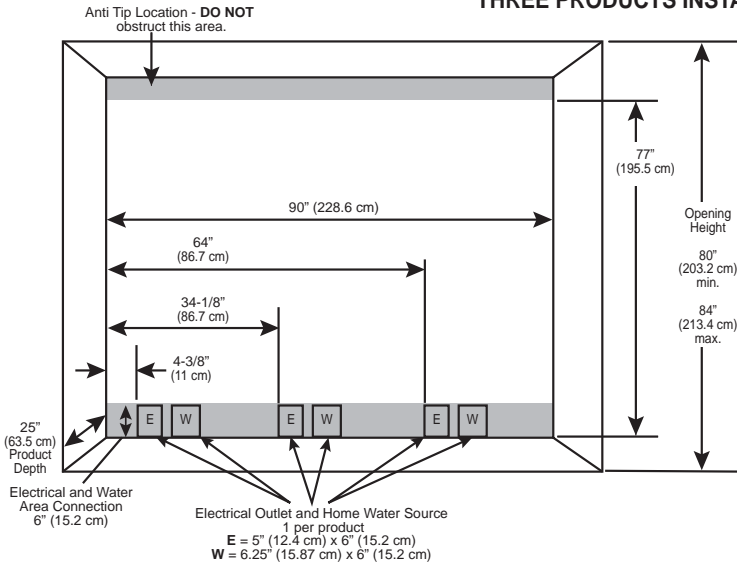
- When two or three units are installed side by side, an exterior heater must be applied to the left exterior wall of the second and/or third unit. See Exterior Heater Unification Kit.
- Toekick dimension is 4" (10.2 cm) from the floor.
- The product can fit into a 79 1/2" (201.9 cm) minimum and up to 84 1/2" (214.6 cm) maximum high enclosure.
- The unit can only be raised to 80-3/8" (204.2 cm).
- The unit door panel can be constructed to fill additional height. See door adjustment section.

TWO PRODUCTS INSTALLATION



SIDE VIEW

THREE PRODUCTS INSTALLATION



NOTE: Configurations with units installed hinge to handle will result in interference while opening doors. To enable all three doors to open independently, additional clearance between the hinge to handle units is required and the middle door should be set to a 90 degree opening.

Design Guide (One, Two, or Three Units)

THE INSTALLATION SPACE (Per Unit)

Water and Electrical Locations

Locate electrical and water supply connections in the areas shown on the Cabinet Dimensions section page.

⚠ WARNING Connect to potable water supply only.

PREPARING INSTALL WATER LINE

- A cold water supply is required for automatic icemaker operation. The water pressure must be between 40 and 120 p.s.i. (275-827 kPa).
- Route 1/4" (6.35 cm) OD copper or SmartConnect™ plastic tubing between the house cold water line and the water connection location.
- Tubing should be long enough to extend to the front of the enclosure.
- Water line can enter an opening through the floor or back wall.
- Install a shut-off valve between the icemaker water valve and cold water supply in the home.

NOTE:

- It is recommended that the water shut-off valve be placed in a location that is easily accessible. We do not advise placing it behind the unit because of access difficulties. If it is necessary to install the valve behind the unit, it must be located in the area shown on Design Guide.
- Saddle type shut-off valves are included in many water supply kits, but are not recommended for this application.
- The only GEA-approved plastic tubing is supplied in the SmartConnect™ Refrigerator Tubing kits. Do not use any other plastic water supply line because the line is under pressure at all times. Other types of plastic may crack or rupture with age and cause water damage to your home. See water line kits on Accessories Page.
- Commonwealth of Massachusetts Plumbing Codes 248CMR shall be adhered to. Saddle valves are illegal and use is not permitted in Massachusetts. Consult with your licensed plumber.

Electrical Specifications

- A 115-volt, 60-Hz., 15- or 20-amp power supply is required. An individual properly grounded branch circuit or circuit breaker is recommended.
- Install a properly grounded 3-prong electrical receptacle recessed into the back wall. Electrical must be located on rear wall as shown in the Cabinet Dimensions section.

NOTE: GFI (ground fault interrupter) is not recommended.

GROUNDING THE UNIT

⚠ WARNING  **Electrical Shock**

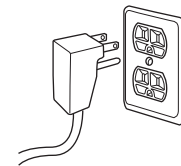
Hazard. Failure to follow these instructions can result in death, fire, or electrical shock.

The power cord of this appliance is equipped with a 3-prong (grounding) plug which mates with a standard three-prong (grounding) wall receptacle to minimize the possibility of electric shock hazard from this appliance.

Have the wall outlet and circuit checked by a qualified electrician to make sure the outlet is properly grounded.

Where a standard 2-prong wall outlet is encountered, it is your personal responsibility and obligation to have it replaced with a properly grounded 3-prong wall outlet.

DO NOT, UNDER ANY CIRCUMSTANCES, CUT OR REMOVE THE THIRD (GROUND) PRONG FROM THE POWER CORD.



DO NOT USE AN ADAPTER PLUG TO CONNECT THE UNIT TO A 2-PRONG OUTLET.

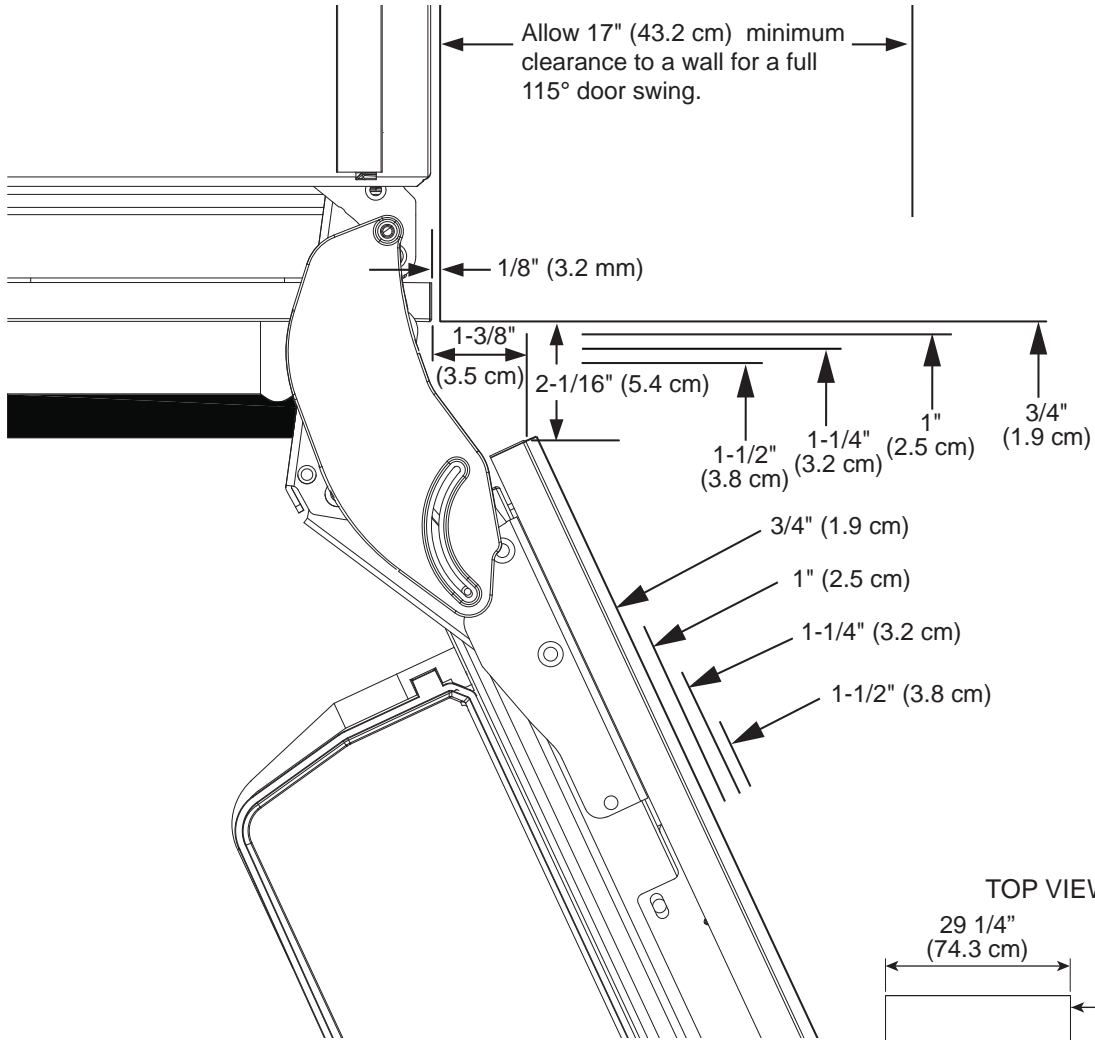
DO NOT USE AN EXTENSION CORD WITH THIS APPLIANCE.

Design Guide (One, Two, or Three Units)

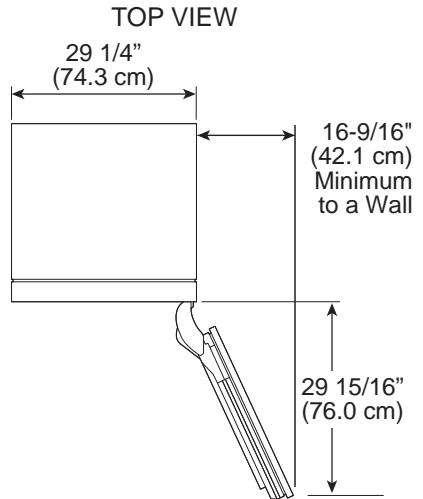
Stainless Steel or Custom Panels

Top View

115° DOOR SWING (factory setting)



Not to scale



DOOR OPEN 115°
DIMENSIONS BASED
ON HANDLE HEIGHT
OF 2-9/16" (6.5)

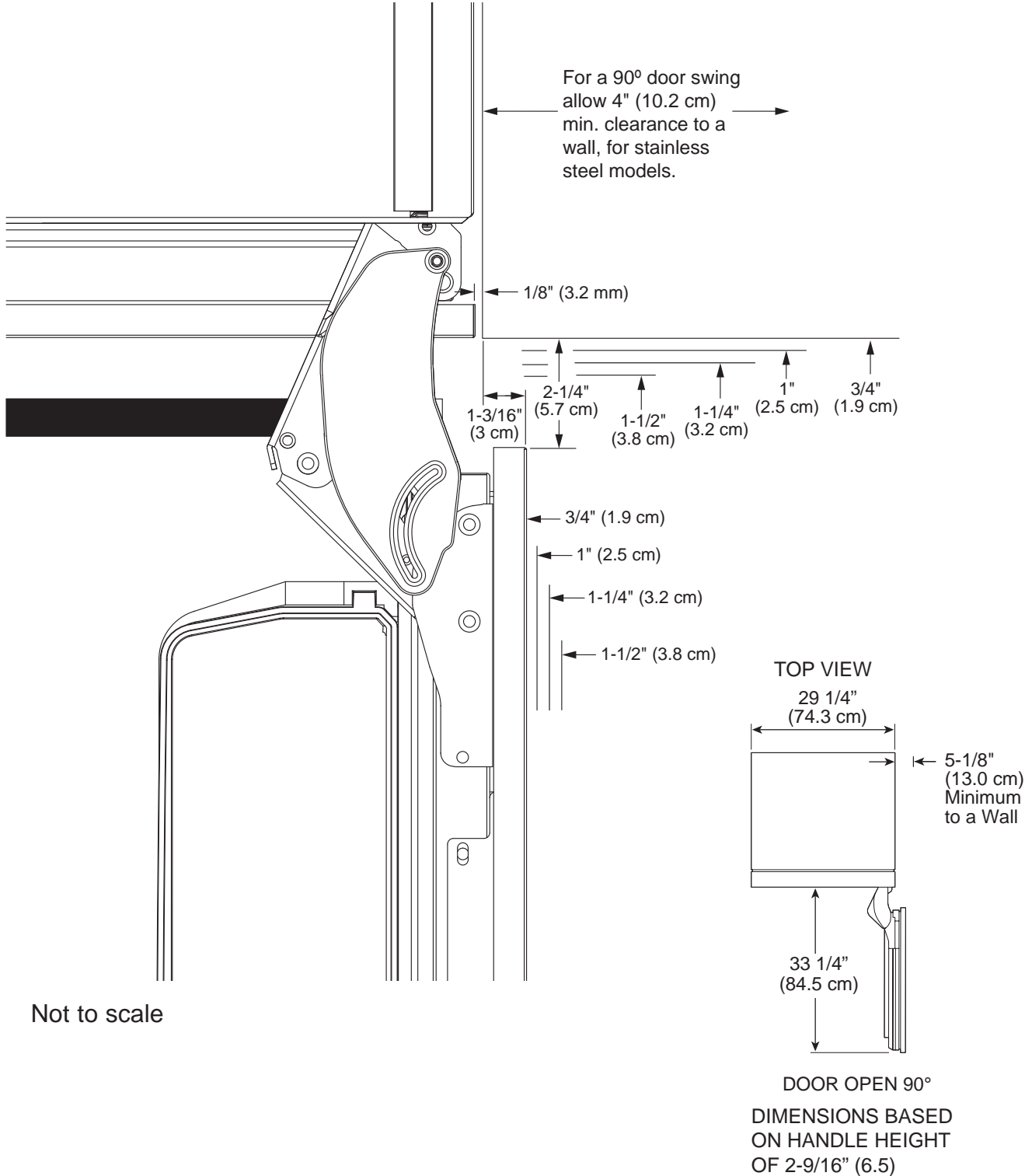
Product Clearances

These units are equipped with a 2-position door stop. The factory-set 115° door swing can be adjusted to 90° if clearance to adjacent cabinets or walls is restricted. For 90° Door swing see next page.

Design Guide (One, Two, or Three Units)

Stainless Steel or Custom Panels

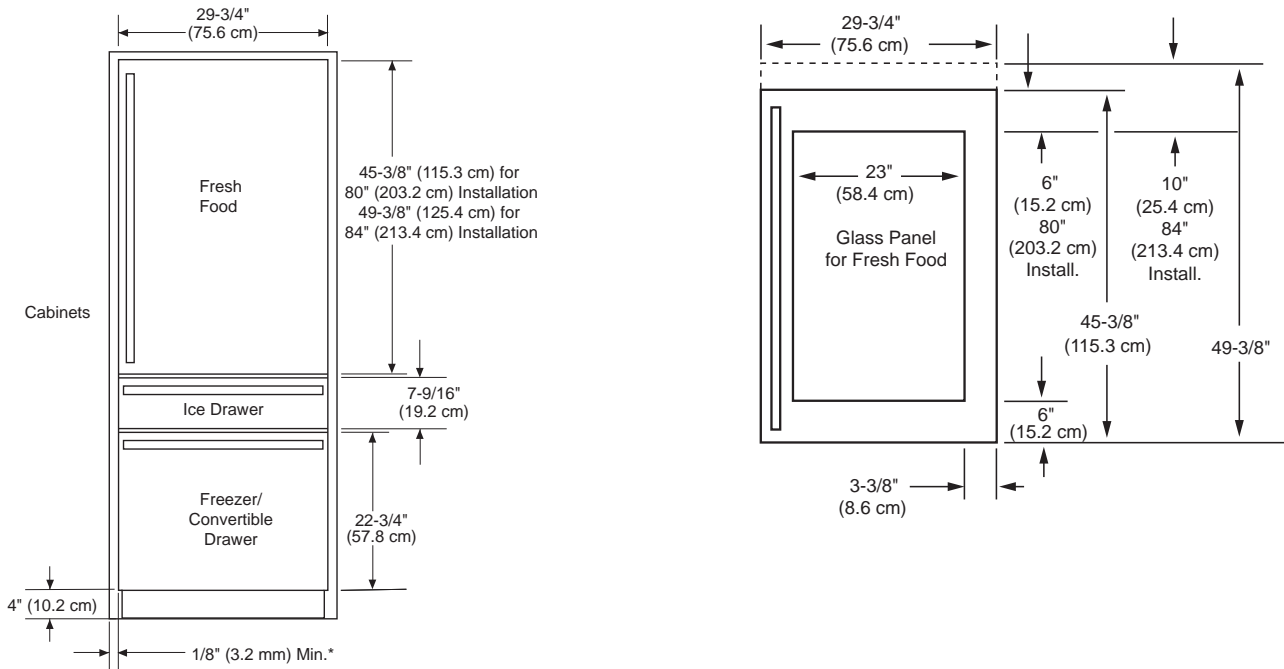
Top View 90° DOOR SWING (optional setting)



Design Guide (One, Two, or Three Units)

SS PANEL ACCESSORY & DIMENSIONS

3/4" (1.9 cm) - Thick Solid Door Panel Options and 3/4" (1.9 cm)-Thick Frame for Glass Door



ACCESSORIES/KITS			
Kit Name		Instruction PN	
Heater Unification Kit		ZUG30	
Water Line 8' (2.5m)		WX08X10006	
Water Line 15' (4.6m)		WX08X10015	
Water Line 25' (7.6m)		WX08X10025	
Stainless Steel Full Door and Drawer Panel Kits (Order for a Full Product) NOTE: Each kit also contains matching top door, freezer and customizable drawer panels, and toe kick.			
FULL DOOR & DRAWER KIT ATTRIBUTES/REQUIREMENTS			Instructions PN
Door Front Type:	Door Height	Left or Right	
Glass	80"	Left	ZKGSN809NLH
Glass	80"	Right	ZKGSN804NRH
Glass	84"	Left	ZKGSN849NLH
Glass	84"	Right	ZKGSN844NRH
Solid	80"	Left	ZKSSN809NLH
Solid	80"	Right	ZKSSN804NRH
Solid	84"	Left	ZKSSN849NLH
Solid	84"	Right	ZKSSN844NRH
Handles and Mountings			Instructions PN
Minimalist Handle Full Kit			ZKGC3H3CNSS
Minimalist Door Handle			WR12X32600
Minimalist Handle (Drawer)			WR12X32406
Statement Handle Full Kit			ZKGC3H3PNSS
Statement Door Handle			WR1232571
Statement Freezer Handle			WR12X32599
Custom Panel Handle Stud Kit			ZKPN

Design Guide (One, Two, or Three Units)

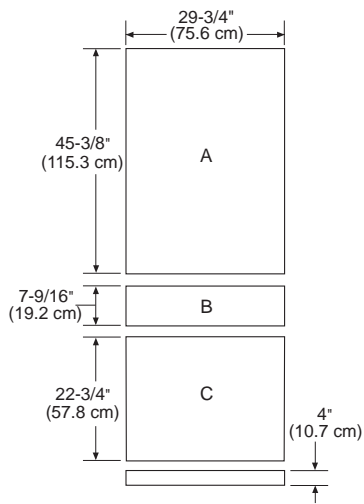
3/4" (1.9 cm) CUSTOM PANEL DIMENSIONS: 80" (203.2 cm) High Fully Integrated Installation

If you choose to install custom panels, they must be cut to the dimensions shown. The panels will attach to the door and drawers using a hook and bracket system.

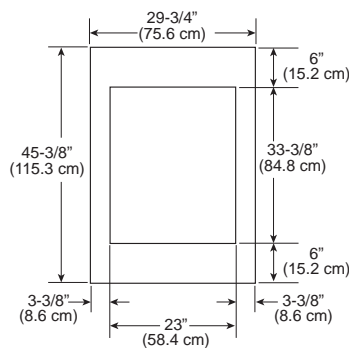
EXTREMELY IMPORTANT: Custom wood panels must be at least 3/4" (1.9 cm) thick where hooks and bracket hardware are attached. Refer to Templates for hook and bracket location.

NOTE: This product is designed to handle 3/4" (1.9 cm) panels that are made of wood. 33-3/8" x 23" (84.8 x 58.4 cm) is the maximum opening for a glass window. The opening may be smaller if desired.

PANELS FOR SOLID DOOR AND DRAWERS



PANELS FOR GLASS DOOR



IMPORTANT NOTE: Maximum panel weight:

A Refrigerator Door Panel: 33 lbs.

B Freezer Drawer Panel: 9 lbs.

C Convertible Drawer Panel: 19 lbs.

*Styles must be a min 3-3/8" (8.6 cm) to cover aluminum door frame.



Design Tip: Some amount of each panel will be visible on the interior side of the unit. It is recommended that both sides of each panel be finished.



Design Tip: If using custom panels, a custom toe kick should be considered. The Bottom of case is white.

3/4" (1.9 cm) CUSTOM PANEL DIMENSIONS: 84" (213.4 cm) High Fully Integrated Installation

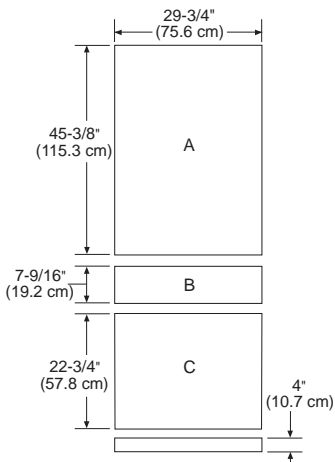
If you choose to install custom panels, they must be cut to the dimensions shown. The panels will attach to the door and drawers using a hook and bracket system.

EXTREMELY IMPORTANT: Custom wood panels must be at least 3/4" (1.9 cm) thick where hooks and bracket hardware are attached. Refer to Templates for hook and bracket location.

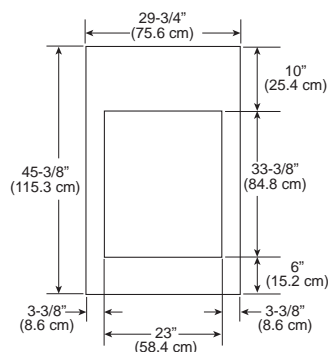
NOTE: This product is designed to handle 3/4" (1.9 cm) panels that are made of wood.

33-3/8" x 23" (84.8 x 58.4 cm) is the maximum opening for a glass window. The opening may be smaller if desired.

PANELS FOR SOLID DOOR AND DRAWERS



PANELS FOR GLASS DOOR



IMPORTANT NOTE: Maximum panel weight:

A Refrigerator Door Panel: 33 lbs.

B Freezer Drawer Panel: 9 lbs.

C Convertible Drawer Panel: 19 lbs.

*Styles must be a min 3-3/8" (8.6 cm) to cover aluminum door frame.



Design Tip: Some amount of each panel will be visible on the interior side of the unit. It is recommended that both sides of each panel be finished.



Design Tip: If using custom panels, a custom toe kick should be considered. The Bottom of case is white.

Installation Instructions

INSTALLATION INSTRUCTIONS FOR SINGLE UNIT

TOOLS REQUIRED

- 5/32" Allen wrench
- Utility knife
- Stepladder
- Bucket
- Level
- Appliance hand truck
- Tubing cutter
- 7/16" open-end wrench
- 1-5/16" open-end wrench
- #2 Phillips screwdriver
- Drill and bit set
- 5/16" socket
- Safety glasses
- Pliers
- 3/8" ratchet
- Torx T-20, T-30 wrench

HARDWARE SUPPLIED

- Anti-tip bracket & screws
- Panel installation kit
- Door panel templates- Pub # 31-1000149, 31-1000150, 31-1000151, 31-1000152
- Water filter - Part # XWFE
- Drywall Anchors and screws

MATERIALS REQUIRED

- 1/4" copper water line tubing or SmartConnect™ Refrigerator Tubing kits
- Water shut-off valve
- Custom panels for refrigerator door, freezer drawer and Convertible drawer
- Velcro w/adhesive if using custom toekick.

FLOORING

For proper installation, this unit must be placed on a level surface of hard material that is at the same height as the rest of the flooring. This surface should be strong enough to support a fully loaded unit, or approximately 1,200 lbs.

NOTE: Protect the finish of the flooring. Cut a large section of the cardboard carton and place under the unit where you are working.

UNIT LOCATION

- Do not install the unit where the temperature will go below 60°F (16°C). It will not run often enough to maintain proper temperatures.
- Do not install the unit where temperatures will go above 100°F (37°C). It will not perform properly.
- Do not install the unit in a location exposed to water (rain, etc.) or direct sunlight.
- Do not install the unit on a floor not strong enough to support it fully loaded.

Installation Instructions

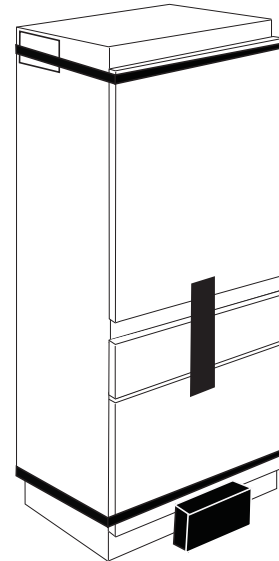
INSTALLATION INSTRUCTIONS FOR SINGLE UNIT

STEP 1 REMOVE PACKAGING

⚠ WARNING  **Tip Over Hazard.**

This appliance is top heavy. Use extreme caution with moving to prevent tipping over which could result in death or serious injury.

- Cut bands and tape on the top and bottom of packaging with a utility knife.
- Unfold the cardboard seams and remove the top of the packaging.
- Slide the remainder of the box off of the appliance. You can use a box cutter to cut the remaining cardboard being **VERY CAREFUL** not to scratch the appliance.
- Remove the EPS supports from around the unit.
- **DO NOT** remove the door band or lower EPS banded parts until unit is ready to go into enclosure.
- Remove anti-tip bracket and foam blanket from top of unit and set aside for installation later.
- Keep front door band and door/drawer tape on unit until product is installed to anti-tip bracket.
- Remove trim pieces taped to front of product and set aside for installation later.
- Remove all packing tape except for warning labels and tape with orange warning labels.
- Pull back, but **DO NOT REMOVE**, door/drawer tape.
- Open middle drawer and remove Owner's Manual packet which includes unit installation instructions.
- Close middle drawer and re-apply tape to keep the door and drawers closed until product is installed to anti-tip bracket.
- Cut EPS skid at the sides near the front from the back of the unit.
- Push unit forward & remove rear portion of the EPS skid.
- Carefully lower rear onto the floor.
- Lean unit back slightly & remove front portion of the EPS skid.
- Discard all unused packaging materials appropriately.
- The unit can now be moved using an appliance hand truck or rolled on a properly protected floor by 2 people.
- Leave any protective film on the unit until installation is complete.



Installation Instructions

INSTALLATION INSTRUCTIONS FOR SINGLE UNIT (cont.)

⚠ WARNING

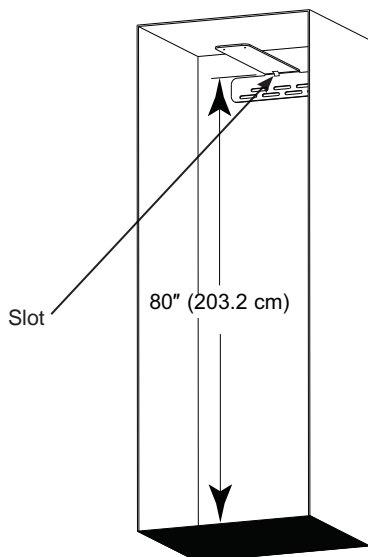


Tip Over Hazard.

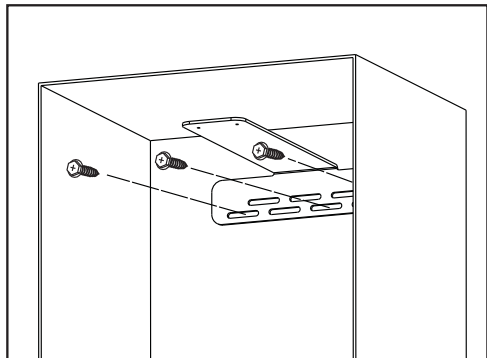
These appliances are top heavy, especially with any doors open, and must be secured to prevent tipping forward which could result in death or serious injury. Read and follow the entire installation instructions for securing the appliance with the anti-tip system.

STEP 2 INSTALL ANTI-TIP BRACKET

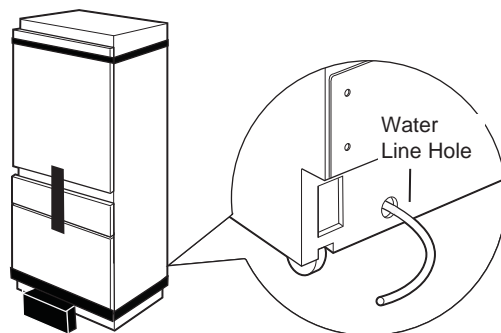
- Inside top face of bracket should be installed at 80" (203.2 cm). "Slot" in bracket should be placed in center of install space (typically 15" [38.1 cm]).
- Mark (within slots, placement) stud and anchor positions on brackets.



- Secure bracket using a combination of studs & anchors.
- At least 1 stud must be engaged. However, please engage as many studs as possible within the enclosure. A minimum of three fasteners should be used for proper installation.



STEP 3 CONNECT WATER LINE



⚠ WARNING Connect to potable water supply only.

- Position appliance in front of enclosure.
- Locate and bring tubing to the front of the cabinet.
- Turn the water on to flush debris from line. Run about a quart of water through tubing into a bucket; then shut off water.

If needed cut the tubing to the proper length so it can be attached to the water valve.

Copper Tubing:

- Slip a 1/4" nut and ferrule over both ends of the copper tubing. Insert tube into the union fitting on the unit and tighten nut to union.
- Turn on the water to check for leaks.

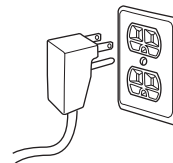
SmartConnect™ Tubing:

- Follow the instructions provided with the tubing. Over tightening may cause leaks. Turn on the water to check for leaks.

NOTE: Coil excess tubing length behind the unit.

STEP 4 CONNECT POWER

- Plug the power cord into the socket.
- Check to make sure power to unit is on by opening the ice drawer (FF door will be banded or taped shut) to see if interior lights are on.
- The temperature controls are preset at 37°F for the refrigerator section and 0°F in both the freezer drawer and customizable drawer.
- Allow 24 hours to stabilize before making adjustments.

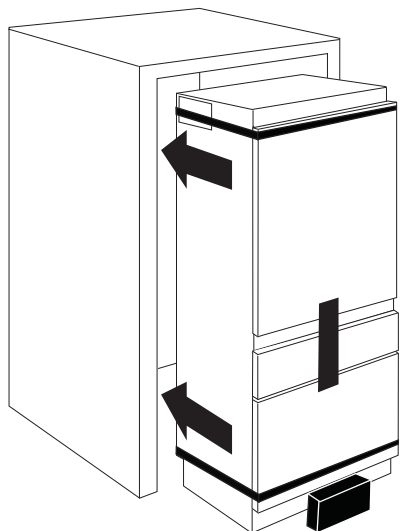


Installation Instructions

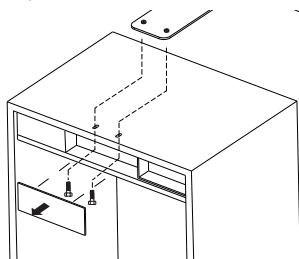
INSTALLATION INSTRUCTIONS FOR SINGLE UNIT (cont.)

STEP 5 SLIDE UNIT INTO ENCLOSURE

Roll the unit into the enclosure, being careful not to pinch the water line or power cord.



- A long flat bar or yard stick may be needed to guide the front edge of the anti-tip bracket over the unit.
- If space allows, you may also bend the front edge of the bracket upward slightly, allowing it to clear the back of the unit.

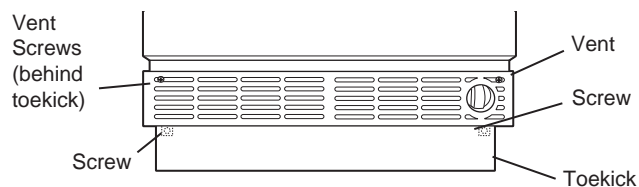


- Remove top-center trim cover from unit.
- Secure the unit to the Anti-tip bracket using both machine screws & washers to engage the threaded inserts in the anti-tip bracket.
- Hand start the screws until unit is in desired location within the install space.
- Finalize unit install by tightening the screws fully.
- Reinstall Trim cover.

STEP 6 REMOVE TOEKICK AND VENT

The toekick must be removed to access the leveling leg system.

- Remove band around EPS block in front of toekick.
- Remove and dispose of EPS block.
- Remove the solid portion of the toekick by pulling forward.
- Place the toekick, vent and screws out of the way so you will have them for reinstallation.

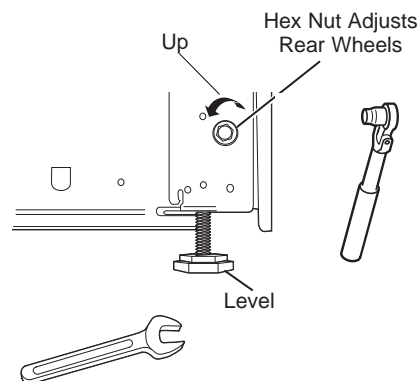


STEP 7 LEVEL UNIT

All models have 4-point leveling. The front is supported by leveling legs; the rear is supported by adjustable wheels. Both are accessible from the front of the unit.

- To level the back of the unit, turn the 5/16" hex nut located above the front wheels. Turn counter clockwise to raise or clockwise to lower the unit.
- For front leveling, use a 1-5/16" open-end wrench.
- Adjust height of unit to match installation cutout opening. The unit should be level and plumb with cabinetry.

NOTICE: The rear leveling wheels and front leveling legs are limited to a maximum height adjustment of 1".



If the installation requires more than 84-1/2" height, the installer should elevate the unit on a sheet of plywood or runners. Cabinetry trim could also be added across the top of the opening to shorten the opening.

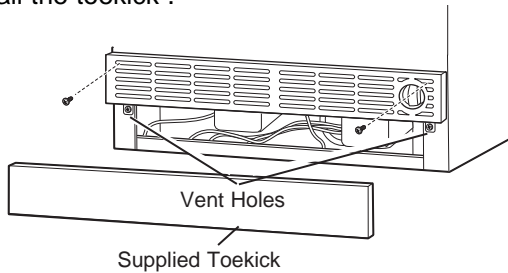
If you attempt to raise the unit more than 1", you will damage the front leveling legs and the rear leveling wheels.

Installation Instructions

INSTALLATION INSTRUCTIONS FOR SINGLE UNIT (cont.)

STEP 8 INSTALL TOEKICK AND VENT

- Locate the toekick, vent and screws (removed earlier).
- A custom toekick can be installed to match or complement the surrounding cabinetry. Use the supplied toekick as a template.
- Reinstall the vent using the screws removed earlier.
- Reinstall the toekick .



STEP 9 REVERSE DOOR SWING (if needed)

Skip this step if door swing is satisfactory.

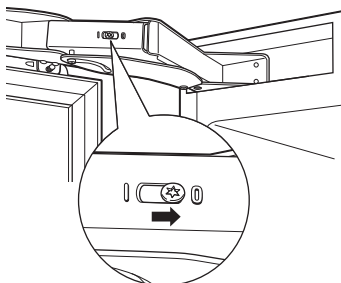
⚠ WARNING Follow all steps when reversing the door swing. Failure to follow these instructions, leaving off parts, or overtightening screws, can lead to the door falling off and result in injury and property damage.

1. Remove the front tape from unit.

⚠ WARNING  **Door Hinge Pinch Point Hazard**

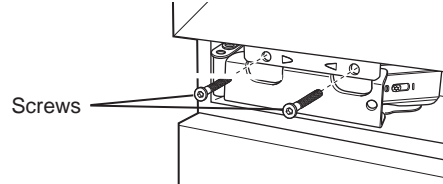
This next step is important for safe handling of an unloaded hinge. Do not skip step 2.

2. Release the hinge springs by using a Torx T-20 wrench to loosen the Torx screw from | to 0 on both hinges. Close the door.

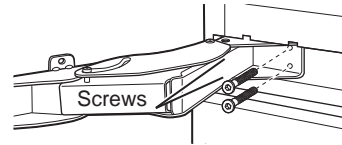


STEP 9 REVERSE DOOR SWING (if needed) (cont.)

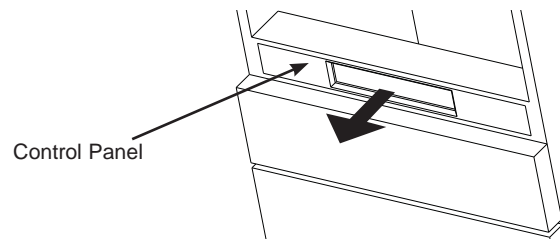
3. Using a 5/32" Allen wrench, remove the 2 screws per hinge that secure the door to the unit. Have someone hold the door while removing these screws to keep the door from falling.



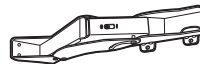
4. Open the hinges. Using a 5/32" Allen wrench, remove the 2 screws per hinge that secure the hinge to the unit cabinet.



5. Remove the trim and hinge pocket from the top of the unit and install on the opposite sides.
6. Remove the trim and hinge pocket from the bottom of the refrigerator compartment. Remove the control panel and gently place in the FZ drawer.



7. Reinstall the control panel.
8. The hinges will be reinstalled in opposite corners. The hinge from the top will be turned over and installed at the bottom of the refrigerator compartment. The hinge from the bottom will be turned over and installed at the top of the refrigerator compartment.

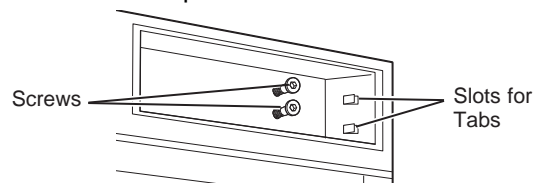


Top Hinge



Bottom Hinge

9. Install the screws on the refrigerator compartment cabinet in all 4 places. Screw them in about halfway.

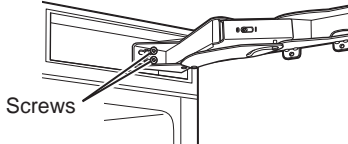


Installation Instructions

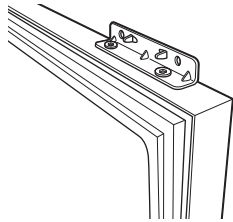
INSTALLATION INSTRUCTIONS FOR SINGLE UNIT (cont.)

STEP 9 REVERSE DOOR SWING (cont).

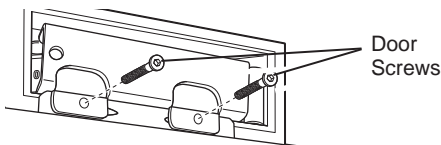
10. To install the top hinge, turn the hinge in the proper direction—the section of the bracket that will be attached to the door should be at the bottom of the hinge. Slide the hinge over the screws and seat the tabs into the hinge pocket. Tighten the screws.



11. To install the bottom hinge, turn the hinge in the proper direction—the section of the bracket that will attach to the door should be at the top of the hinge. Slide the hinge over the screws and seat the tabs into the hinge pocket. Tighten the screws. Close the hinge.
12. Remove the hinge brackets from the door and reinstall them on the opposite end, top and bottom.

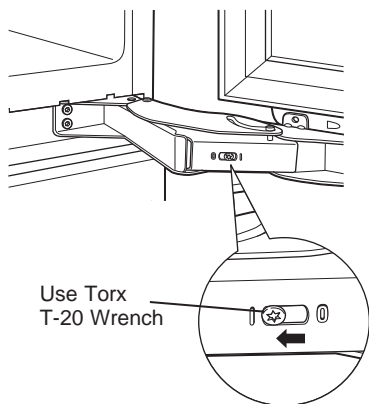


13. With another person holding the door in place, align the holes in the door hinge bracket with the holes in the hinge. Install the screws to the top hinge first.



14. Install screws on the bottom hinge next.

15. Using a Torx T-20 wrench, tighten the tension on the hinge springs by turning the screws from 0 to |.

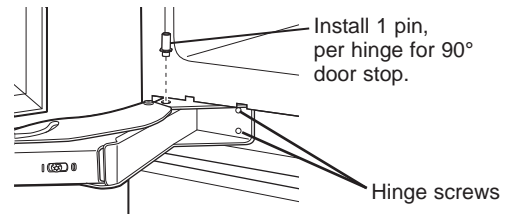


STEP 10 ADJUST DOOR SWING (if needed)

NOTE: This unit has a 2-position door stop. When space does not allow the door to swing to 115°, you may limit the door swing to a 90°

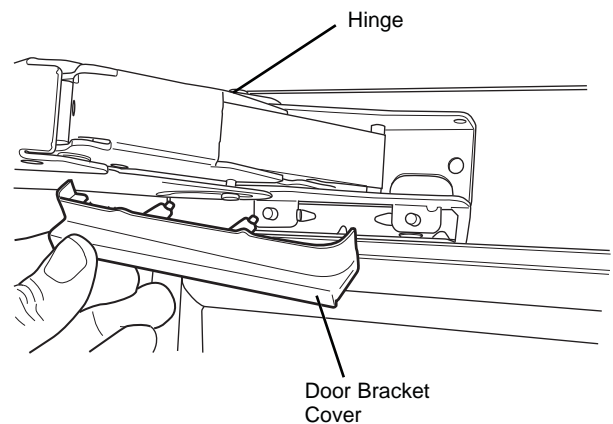
Skip this step if door opening is satisfactory for your installation situation.

- Open the refrigerator door to access the top and bottom hinges.
- Loosen the bottom hinge screws that attached to the unit
- Pull hinge forward slightly & insert hinge pin into the hole nearest the unit.
- You may need to use a small hammer to fully seat them in place.
- Retighten hinge screws.
- Repeat for top hinge.



STEP 11 INSTALL DOOR BRACKET COVERS

Install covers to hide the brackets near the hinges on the top and bottom of the door. The covers snap in place.



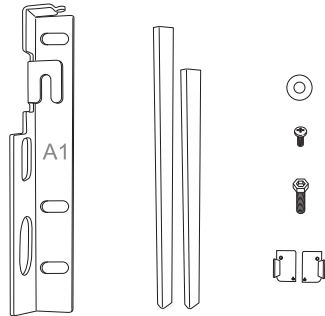
Installation Instructions

INSTALLATION INSTRUCTIONS FOR SINGLE UNIT (cont.)

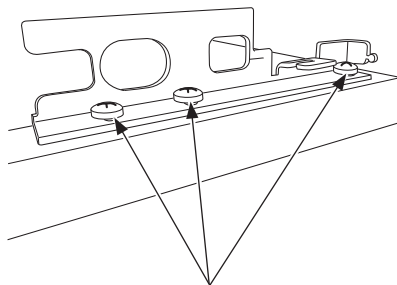
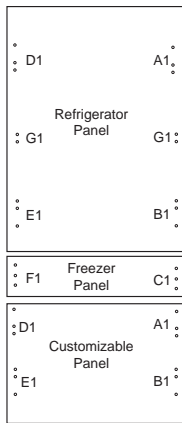
STEP 12 INSTALL DOOR AND DRAWER PANELS

1. Remove all door and drawer panel hardware and trim from the unit.

Item	Quantity
Panel Brackets	12
Phillips Machine Screws (for use with SS Panel Accessory)	34
Allen Hex Socket Head Screws	12
Washers	12
Door Trim	6
Trim Caps	12
Allen Wrench	2

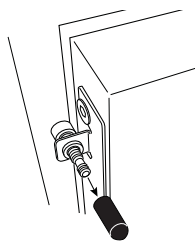


2. Attach A1 - F1 brackets to the door panels in the locations identified below. Custom panels must have pre-drilled holes as shown in Door Panel Templates: 31-1000149, 31-1000150, 31-1000151, 31-1000152. If you purchased an SS Panel Accessory, use the Phillips machine screws to attach the brackets to the SS door panels. For custom panels, use an appropriate wood screw.

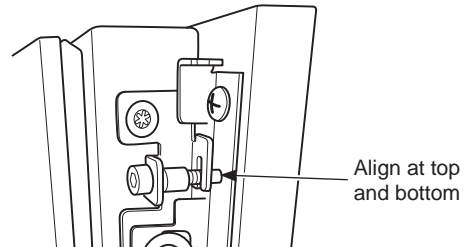


Do not tighten the screws, you will do that after assembly process and left to right alignment.

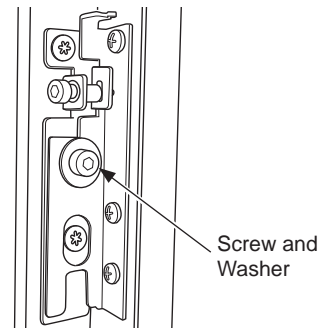
3. If you had custom handles made and they are not currently attached to your panels, do so now.
4. Remove the screw caps from the adjustment pins on the doors.



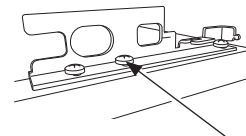
5. Open the refrigerator door to attach the refrigerator panel.
6. Rest the refrigerator panel on the refrigerator door by aligning the hooks on the panel brackets with the adjustment pins on the door.



7. Fasten the panel to the refrigerator door in four locations using the hardware shown below. Do not tighten the screws. Screws will be tightened after panel alignment.

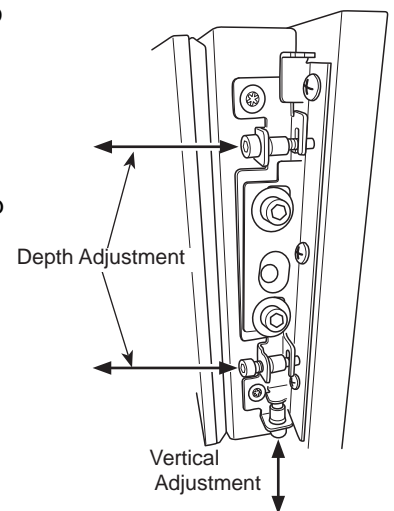


8. Shift the panel side to side to ensure even gaps with the adjacent cabinetry on both sides.



Tighten one screw per bracket. The other screws will be tightened at the end of the alignment process.

9. Use an allen wrench to adjust the refrigerator door panel depth and height to align with the adjacent cabinetry. There must be a minimum 1/8" gap between the panel and the adjacent cabinetry.

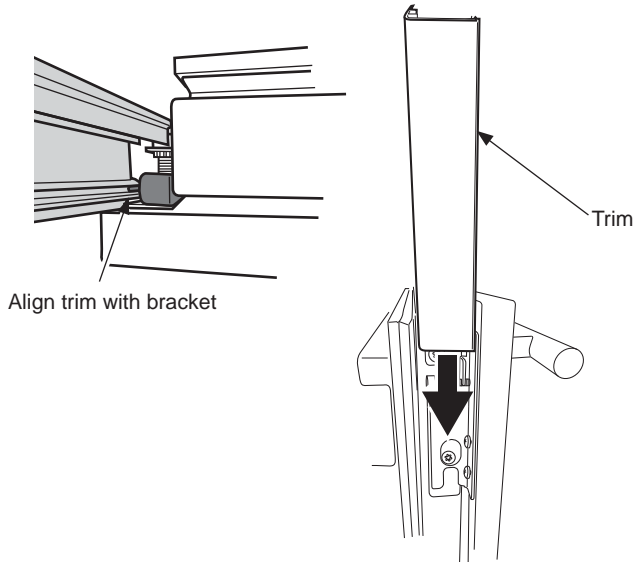


Installation Instructions

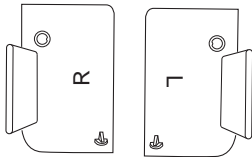
INSTALLATION INSTRUCTIONS FOR SINGLE UNIT (cont.)

STEP 12 INSTALL DOOR AND DRAWER PANELS (cont.)

10. Repeat steps 5-9 for the freezer drawer.
11. Repeat steps 5-9 for the customizable drawer.
12. Tighten all screws once you are satisfied with the panel alignment.
13. Slide on trim to hide the panel adjustment hardware.

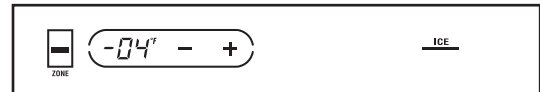


14. Add trim caps to cover the ends of the trim.

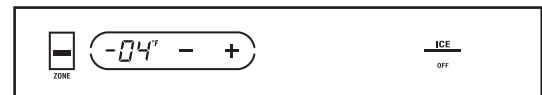


STEP 13 START ICEMAKER

- Press the zone indicator on the control pad twice to select the freezer drawer. Press the ICE icon on the right side of the control. A line will appear under ICE to show that the icemaker is ON.
- Be sure nothing interferes with the sweep of the feeler arm.
- Discard the first full bucket of ice cubes.



- To turn the icemaker off, press the ICE icon. The word OFF appears below ICE to show that the icemaker is OFF.



Installation Instructions

INSTALLATION INSTRUCTIONS FOR MULTIPLE UNITS

TOOLS REQUIRED

- 5/32" Allen wrench
- Utility knife
- Stepladder
- Bucket
- Level
- Appliance hand truck
- Tubing cutter
- 7/16" open-end wrench
- 1-5/16" open-end wrench
- #2 Phillips screwdriver
- Drill and bit set
- 5/16" socket
- Safety glasses
- Pliers
- 3/8" ratchet
- Torx T-20, T-30 wrench

HARDWARE SUPPLIED PER UNIT

- Anti-tip bracket & screws
- Panel installation kit
- Door panel templates- Pub # 31-1000149, 31-1000150, 31-1000151, 31-1000152
- Water filter - Part # XWFE
- Drywall Anchors and screws

MATERIALS REQUIRED PER UNIT

- 1/4" copper water line tubing or SmartConnect™ Refrigerator Tubing kits
- Water shut-off valve
- Custom panels for refrigerator door, freezer drawer and Convertible drawer
- Velcro w/adhesive if using custom toekick.
- ZUG30 Heater Unification Kit (1 Kit needed for each additional unit.)

FLOORING

For proper installation, this unit must be placed on a level surface of hard material that is at the same height as the rest of the flooring. This surface should be strong enough to support a fully loaded unit, or approximately 1,200 lbs.

NOTE: Protect the finish of the flooring. Cut a large section of the cardboard carton and place under the unit where you are working.

UNIT LOCATIONS

- Do not install the units where the temperature will go below 60°F (16°C). They will not run often enough to maintain proper temperatures.
- Do not install the units where temperatures will go above 100°F (37°C). They will not perform properly.
- Do not install the units in a location exposed to water (rain, etc.) or direct sunlight.
- Do not install units on a floor not strong enough to support them fully loaded.

Installation Instructions

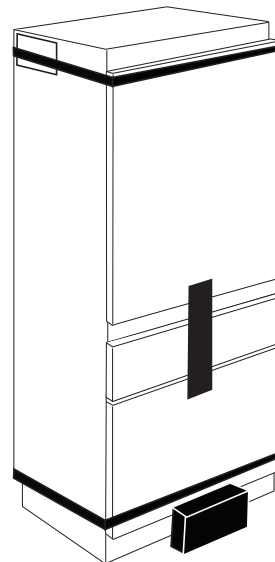
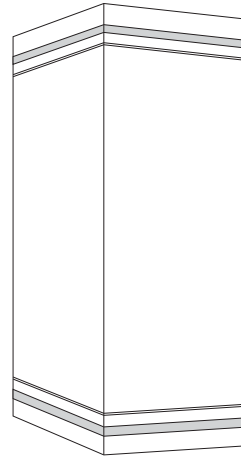
INSTALLATION INSTRUCTIONS FOR MULTIPLE UNITS (cont.)

STEP 1 REMOVE PACKAGING - ALL UNITS

⚠ WARNING **Tip Over Hazard.**

This appliance is top heavy. Use extreme caution with moving to prevent tipping over which could result in death or serious injury.

- Cut bands and tape on the top and bottom of packaging with a utility knife.
- Unfold the cardboard seams and remove the top of the packaging.
- Slide the remainder of the box off of the appliance. You can use a box cutter to cut the remaining cardboard being VERY CAREFUL not to scratch the appliance.
- Remove the EPS supports from around the unit.
- DO NOT remove the door band or lower EPS banded parts until unit is ready to go into enclosure.
- Remove anti-tip bracket and foam blanket from top of unit and set aside for installation later.
- Keep front door band and door/drawer tape on unit until product is installed to anti-tip bracket.
- Remove trim pieces taped to front of product and set aside for installation later.
- Remove all packing tape except for warning labels and tape with orange warning labels.
- Pull back, but DO NOT REMOVE, door/drawer tape.
- Open middle drawer and remove Owner's Manual packet which includes unit installation instructions.
- Close middle drawer and re-apply tape to keep the door and drawers closed until product is installed to anti-tip bracket.
- Cut EPS skid at the sides near the front from the back of the unit.
- Push unit forward & remove rear portion of the EPS skid.
- Carefully lower rear onto the floor.
- Lean unit back slightly & remove front portion of the EPS skid.
- Discard all unused packaging materials appropriately.
- The unit can now be moved using an appliance hand truck or rolled on a properly protected floor by 2 people.
- Leave any protective film on the unit until installation is complete.



Installation Instructions

INSTALLATION INSTRUCTIONS FOR MULTIPLE UNITS (cont.)

STEP 2 INSTALL HEATER UNIFICATION KIT(S) TO UNIT 2

⚠ WARNING

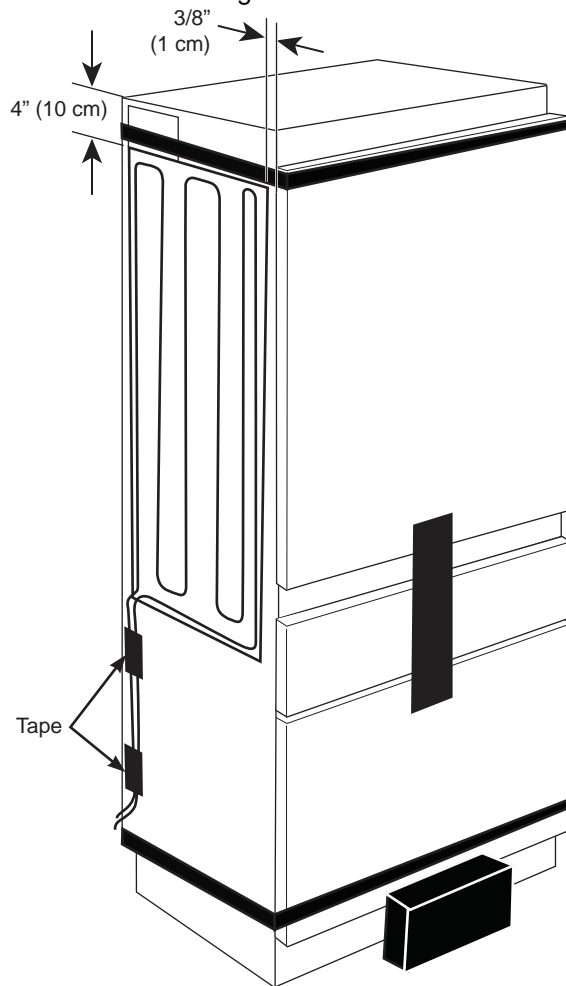


Tip Over Hazard.

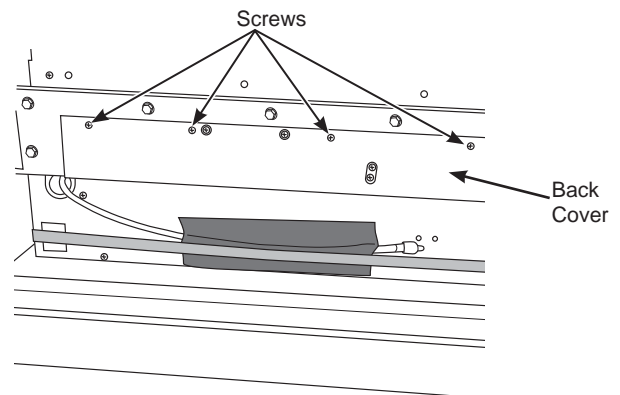
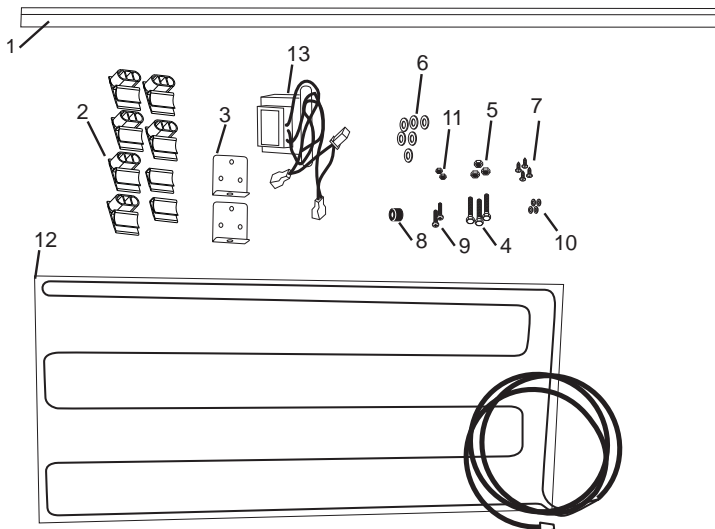
These appliances are top heavy, especially with any doors open, and must be secured to prevent tipping forward which could result in death or serious injury. Read and follow the entire installation instructions for securing the appliance with the anti-tip system.

- Do not remove the top door band or front door/drawer tape.
- Remove any remaining stickers and tape from the left side of the second unit to be able to properly install the Heater Unification Kit. DO NOT remove the warning label.
- Wipe the surface with a dry, clean cloth.
- Open the Heater Unification Kit(s) and make sure all parts are included. You will need one Heater Unification Kit for each unit other than the first.
 1. Trim cover (ABS) : 1 piece
 2. Trim cover holder clips with double-sided adhesive tape : 8 pieces (2 are different)
 3. Back side bracket (metal corner piece) : 2 pieces
 4. Screw M6x45 : 3 pieces
 5. Nut M6-8 : 3 pieces
 6. Washer 6-INOX : 6 pieces
 7. Screw 4.8x13 (for bracket attachment) : 4 pieces
 8. Strain relief (for heater wiring) : 1 piece
 9. Screw M4x18 : 2 pieces
 10. Washer A4-NR : 4 pieces
 11. Nut M4x3-NR : 2 pieces
 12. Heater : 1 piece
 13. Transformer with Heater jumper harness - 1 piece

- Remove paper backing from heater and carefully apply heater to left side of **unit 2**. Apply heater 3/8" (1 cm) from the front edge and 4" (10 cm) from the top edge. **NOTE:** Heater is always applied on the left side (when facing the front) of the unit. Heater may cover the lower portion of the warning label.



- Secure the heater harness with tape and remove the back cover screws.

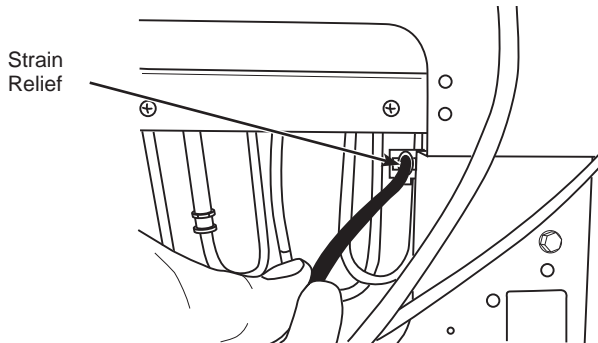


Installation Instructions

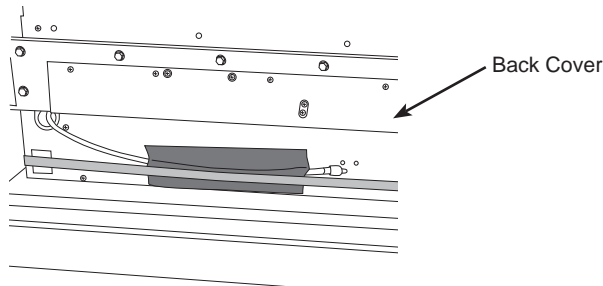
INSTALLATION INSTRUCTIONS FOR MULTIPLE UNITS (cont.)

STEP 2 INSTALL HEATER UNIFICATION KIT(S) TO UNIT 2 (cont.)

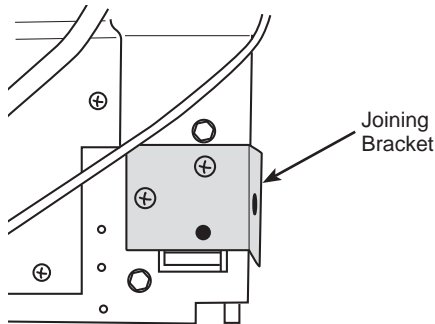
- Place the heater harness into the hole using the strain relief from the kit and push wiring connector towards the front of the unit.



- Reattach back cover.

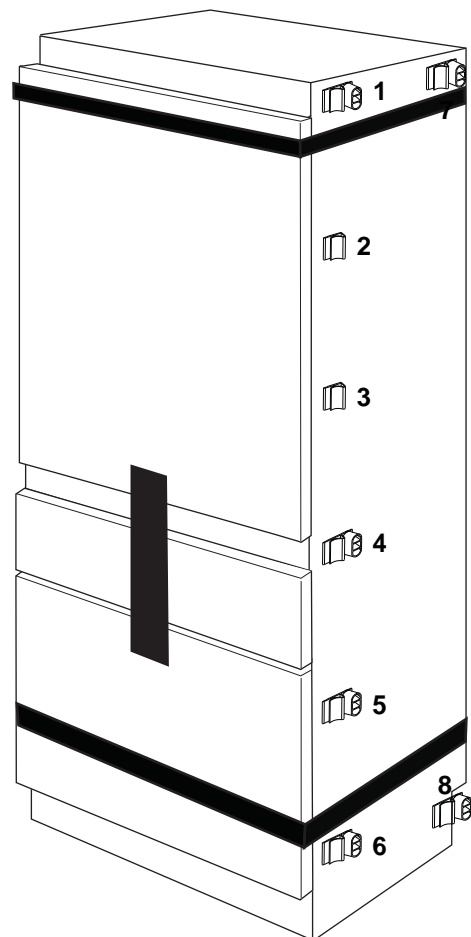
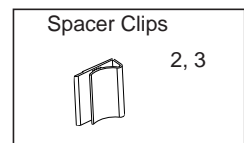
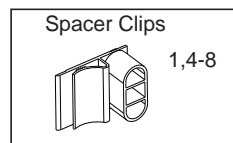


- Attach joining bracket to unit 2 using screws from the kit.



- Remove tape and band from unit 1.
- Attach joining bracket to unit 1 using screws from Heater Unification Kit.

- Attach trim cover holder clips to the left side of unit 1, 4mm from the front edge. Clip 1 should line up with the hole at the upper left corner. Clip 4 should line up just below the top door. Clips 2 and 3 should be evenly spaced between the 2. Notice these clips are different from the others. Clip 6 attaches on the bottom front corner, 4mm from the front edge. Clip 5 should be spaced evenly between clips 4 and 6. Clip 7 should be attached to the upper right corner, 4mm from the back edge. Clip 8 should be attached to the back edge of the refrigerator lined up with the hole in the joining bracket.

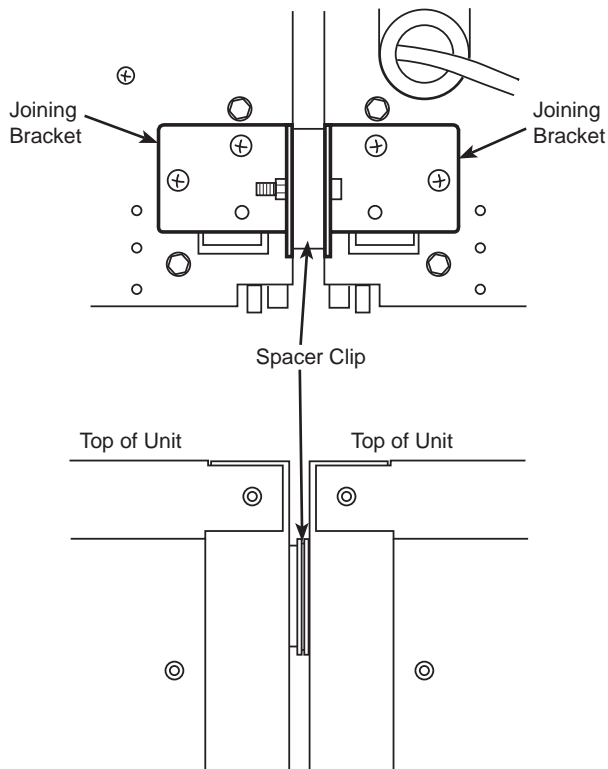


Installation Instructions

INSTALLATION INSTRUCTIONS FOR MULTIPLE UNITS (cont.)

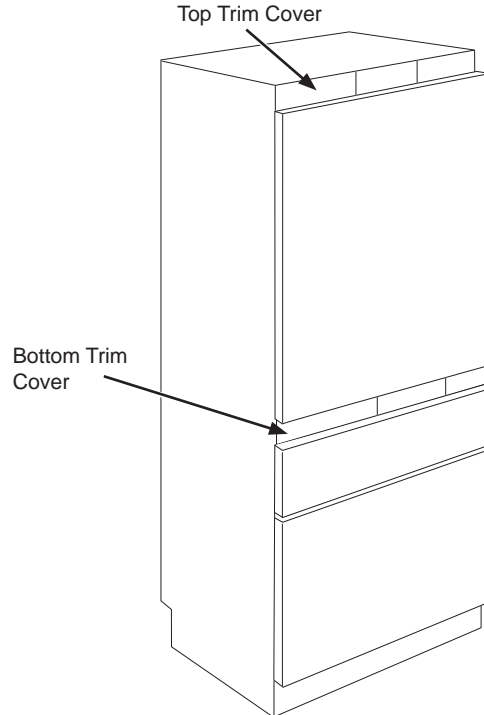
STEP 2 INSTALL HEATER UNIFICATION KIT(S) TO UNIT 2 (cont.)

- Move the two (or more) units together and align the front.
- Attach units 1 and 2 at the back using screws and nuts from the ZUG30 Heater Unification kit. Join any remaining units in the same way.



STEP 3 REVERSE DOOR SWING (UNIT 1)

- Remove the top and bottom trim covers from unit 1.



⚠ WARNING Follow all steps when reversing the door swing. Failure to follow these instructions, leaving off parts, or overtightening screws, can lead to the door falling off and result in injury and property damage.

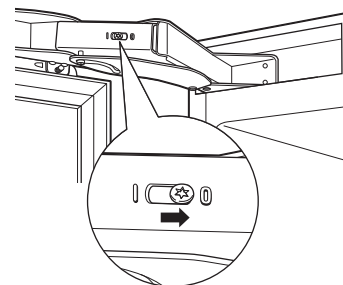
1. Pull the front tape down far enough to open the refrigerator door.

⚠ WARNING  **Door Hinge Pinch**

Point Hazard

This next step is important for safe handling of an unloaded hinge. Do not skip step 2.

2. Release the hinge springs by using a Torx T-20 wrench to loosen the Torx screw from | to 0 on both hinges. Close the door.

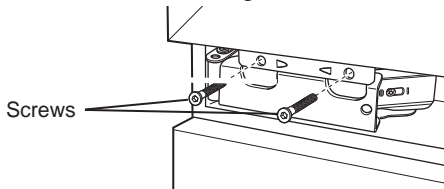


Installation Instructions

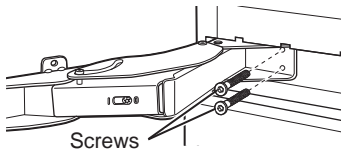
INSTALLATION INSTRUCTIONS FOR MULTIPLE UNITS (cont.)

STEP 3 REVERSE DOOR SWING (UNIT 1) (Cont.)

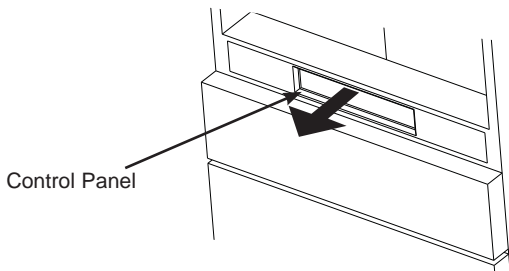
3. Using a 5/32" Allen wrench, remove the 2 screws per hinge that secure the door to the unit. Have someone hold the door while removing these screws to keep the door from falling.



4. Open the hinges. Using a 5/32" Allen wrench, remove the 2 screws per hinge that secure the hinge to the unit cabinet.



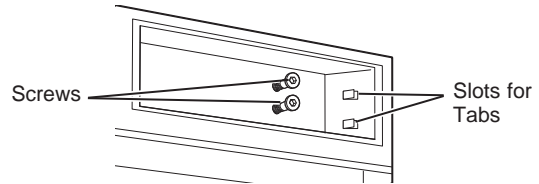
5. Remove the trim and hinge pocket from the top of the unit and install on the opposite sides.
6. Remove the trim and hinge pocket from the bottom of the refrigerator compartment. Remove the control panel and gently place in the FZ drawer.



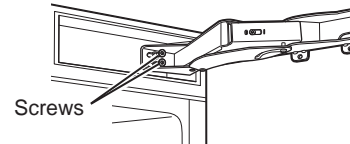
7. Reinstall the control panel.
8. The hinges will be reinstalled in opposite corners. The hinge from the top will be turned over and installed at the bottom of the refrigerator compartment. The hinge from the bottom will be turned over and installed at the top of the refrigerator compartment.



9. Install the screws on the refrigerator compartment cabinet in all 4 places. Screw them in about halfway.



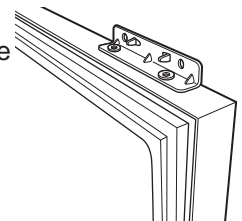
10. To install the top hinge, turn the hinge in the proper direction—the section of the bracket that will be attached to the door should be at the bottom of the hinge. Slide the hinge over the screws and seat the tabs into the hinge pocket. Tighten the screws.



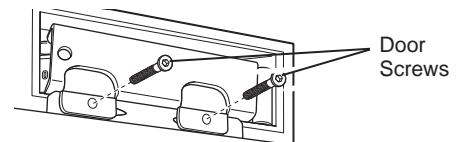
11. To install the bottom hinge, turn the hinge in the proper direction—the section of the bracket that will attach to the door should be at the top of the hinge. Slide the hinge over the screws and seat the tabs into the hinge pocket. Tighten the screws. Close the hinge.

12. Remove the hinge brackets from the door and reinstall them on the opposite end, top and bottom.

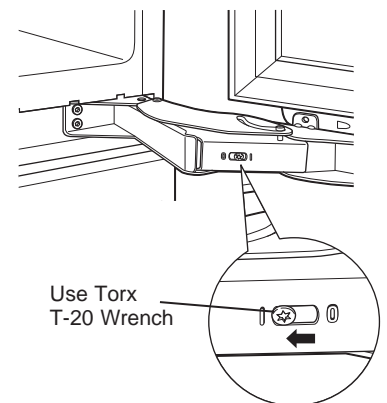
13. With another person holding the door in place, align the holes in the door hinge bracket with the holes in the hinge. Install the screws to the top hinge first.



14. Install screws on the bottom hinge next.



15. Using a Torx T-20 wrench, tighten the tension on the hinge springs by turning the screws from 0 to |.



Installation Instructions

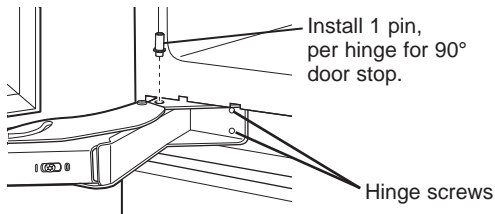
INSTALLATION INSTRUCTIONS FOR MULTIPLE UNITS (cont.)

STEP 4 ADJUST DOOR SWING (if needed)

NOTE: This unit has a 2-position door stop. When space does not allow the door to swing to 115°, you may limit the door swing to 90°. A 90° setting is recommended for any installation where a unit has another unit on both sides.

Skip this step if door opening is satisfactory for your installation situation.

- Open the refrigerator door to access the top and bottom hinges.
- Loosen the bottom hinge screws that attached to the unit
- Pull hinge forward slightly & insert hinge pin into the hole nearest the unit.
- You may need to use a small hammer to fully seat them in place.
- Retighten hinge screws.
- Repeat for top hinge.



⚠ WARNING



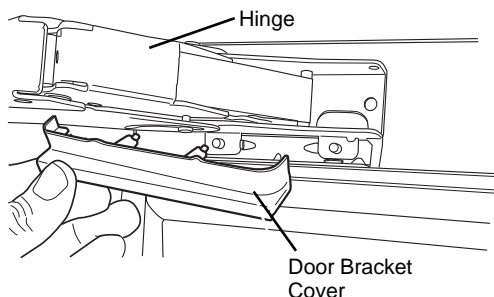
Door Trim Pinch Point Hazard

Improper installation can lead to a finger pinch point hazard between the side door trim and the cabinets when operating the door, especially with children. To minimize this risk you must follow the installation instructions for cabinet dimensions, trim assembly, and door stop angle.

STEP 5 INSTALL DOOR BRACKET COVERS (UNIT 1)

Install covers to hide the brackets near the hinges on the top and bottom of the door. The covers snap in place.

Replace tape at the lower edge of the refrigerator door.

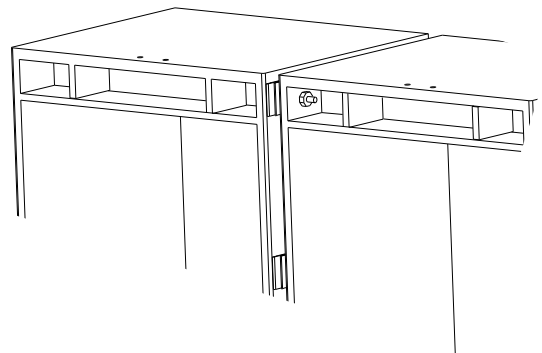
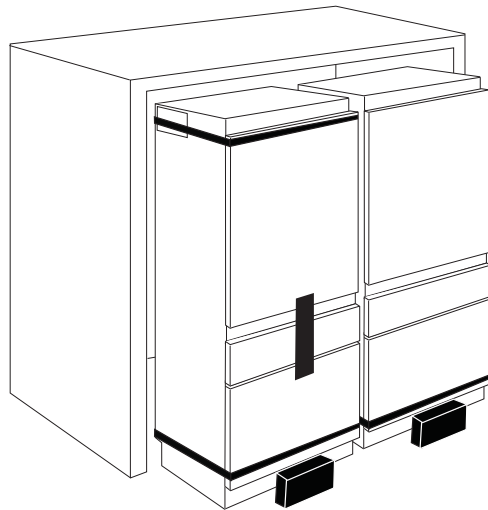


STEP 6 INSTALLING OTHER UNITS

Complete Steps 2 through 5 on any other units being installed.

STEP 7 JOIN UNITS

1. Move units in front of cabinet enclosure next to each other, with top holes lined up. Using bolts, washers and nuts from Heater Unification Kit, join the two units together at the front - top and center. Tighten bolts until spacer clips touch between units.

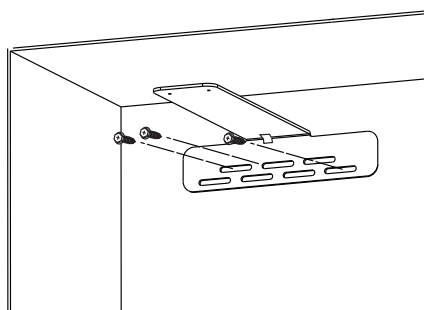
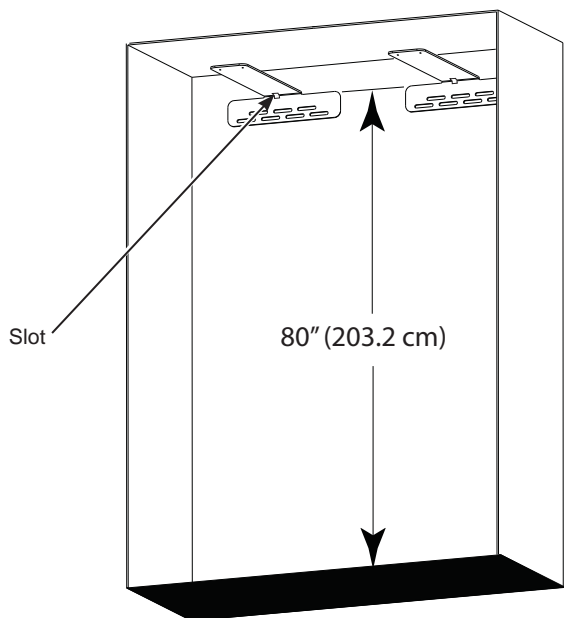


Installation Instructions

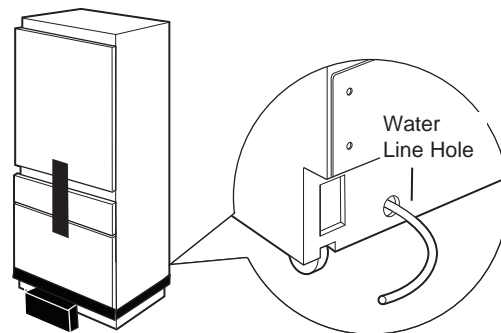
INSTALLATION INSTRUCTIONS FOR MULTIPLE UNITS (cont.)

STEP 8 INSTALL ANTI-TIP BRACKETS

- Locate Anti-tip brackets for all units.
- Inside top face of bracket should be installed at 80" (203.2 cm). "Slot" in bracket should be placed in center of install space (typically 15" [38.1 cm] from the outside).
- Mark (within slots, placement) stud and anchor positions on brackets.
- Secure brackets using a combination of studs & anchors.
- At least 1 stud must be engaged per unit. However, please engage as many studs as possible within the enclosure. A minimum of three fasteners per bracket should be used for proper installation.



STEP 9 CONNECT WATER LINE



⚠ WARNING Connect to potable water supply only.

- Locate and bring tubing to the front of the cabinets.
- Turn the water on to flush debris from line. Run about a quart of water through tubing into a bucket; then shut off water.

If needed cut the tubing to the proper length so it can be attached to the water valve.

Copper Tubing:

- Slip a 1/4" nut and ferrule over both ends of the copper tubing. Insert tube into the union fitting on the unit and tighten nut to union.
- Turn on the water to check for leaks.

SmartConnect™ Tubing:

- Follow the instructions provided with the tubing. Over tightening may cause leaks. Turn on the water to check for leaks.

NOTE: Coil excess tubing length behind the unit.

STEP 10 CONNECT POWER

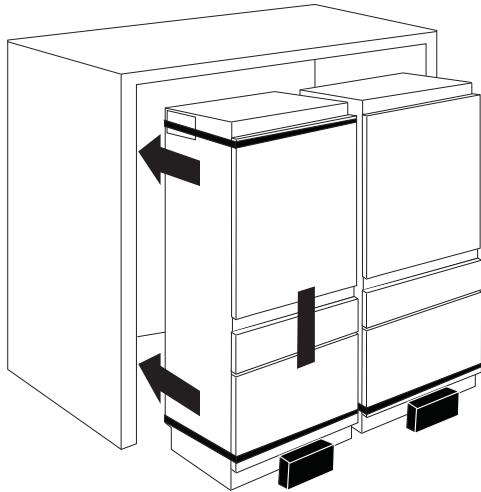
- Plug the power cord into the socket.
- Check to make sure power to unit is on by opening the ice drawer (drawer will be taped shut) to see if interior lights are on.
- The temperature controls are preset at 37°F for the refrigerator section and 0°F in both the freezer drawer and customizable drawer.
- Allow 24 hours to stabilize before making adjustments.
- Reapply tape to lower ice drawer.

Installation Instructions

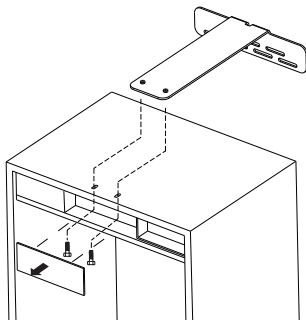
INSTALLATION INSTRUCTIONS FOR MULTIPLE UNITS (cont.)

STEP 11 SLIDE UNITS INTO ENCLOSURES

- Roll the units into the enclosure, being careful not to pinch the water lines or power cords.



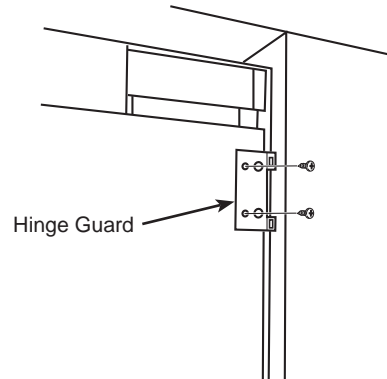
- Remove all tape on the front of each unit.
- A long flat bar or yard stick may be needed to guide the front edge of the anti-tip bracket over the unit.
- If space allows, you may also bend the front edge of the bracket upward slightly, allowing it to clear the back of the unit.



- Remove top-center trim cover from units.
- Secure the unit to the Anti-tip bracket using both machine screws & washers to engage the threaded inserts in the anti-tip bracket.
- Hand start the screws until unit is in desired location within the install space.
- Finalize unit install by tightening the screws fully.
- Reinstall trim covers.

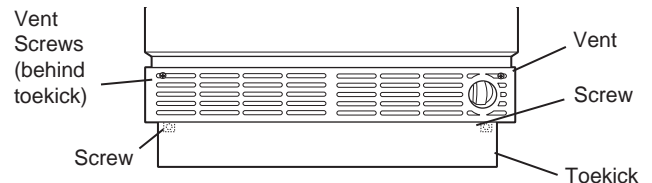
STEP 12 INSTALL HINGE GUARD

- Locate panel attachment set in the bottom drawer.
- Using screws provided, attach hinge guards to the upper and lower hinge side of the door.

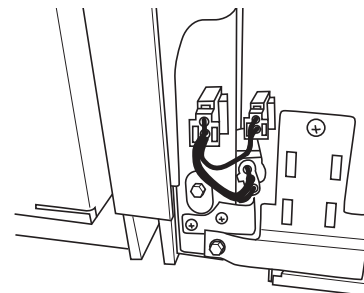


STEP 13 CONNECT HEATER

- Cut the remaining bands and remove the EPS blocks from the bottom of the units.
- Remove toe-kicks and vents from the bottoms of the units.



- Locate and plug heaters into electrical harnesses using jumper included with Heater Unification Kit. Heater

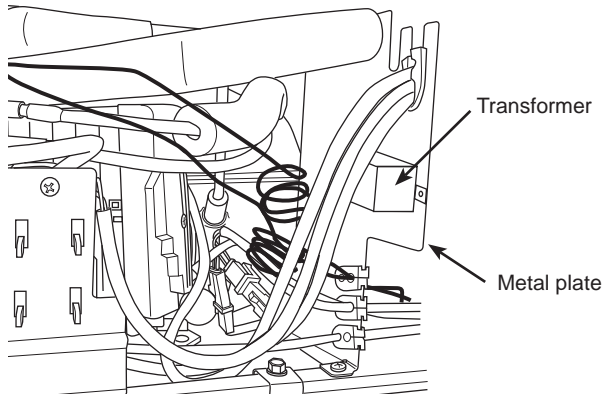


Installation Instructions

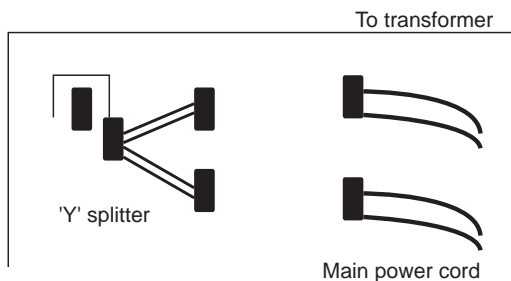
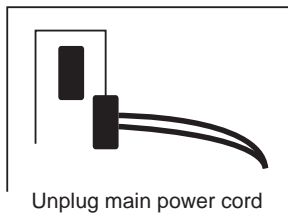
INSTALLATION INSTRUCTIONS FOR MULTIPLE UNITS (cont.)

STEP 13 CONNECT HEATER (Cont.)

- Locate the vertical, metal plate behind the vent cover. There are two holes in the plate for mounting the transformer. Locate the transformer on the plate and attach using bolts, nuts and washers supplied.



- In front of unit, unplug the power cord and replace with the 'Y' splitter supplied in the kit. On the ends of the splitter, plug in the transformer (black and white leads) and the power cord plug.

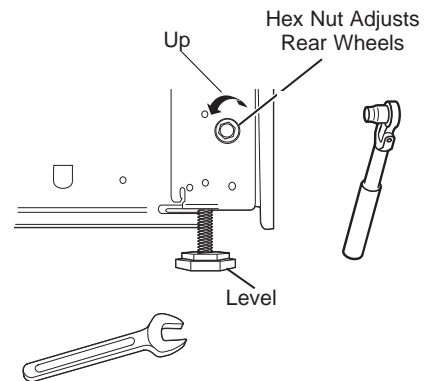


STEP 14 LEVEL UNITS

All models have 4-point leveling. The front is supported by leveling legs; the rear is supported by adjustable wheels. Both are accessible from the front of the unit.

- To level the back of the unit, turn the 5/16" hex nut located above the front wheels. Turn counter clockwise to raise or clockwise to lower the unit.
- For front leveling, use a 1-5/16" open-end wrench.
- Adjust height of unit to match installation cutout opening. The unit should be level and plumb with cabinetry.

NOTICE: The rear leveling wheels and front leveling legs are limited to a maximum height adjustment of 1".



If the installation requires more than 84-1/2" height, the installer should elevate the unit on a sheet of plywood or runners. Cabinetry trim could also be added across the top of the opening to shorten the opening.

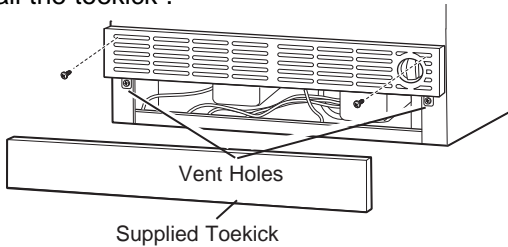
If you attempt to raise the unit more than 1", you will damage the front leveling legs and the rear leveling wheels.

Installation Instructions

INSTALLATION INSTRUCTIONS FOR MULTIPLE UNITS (cont.)

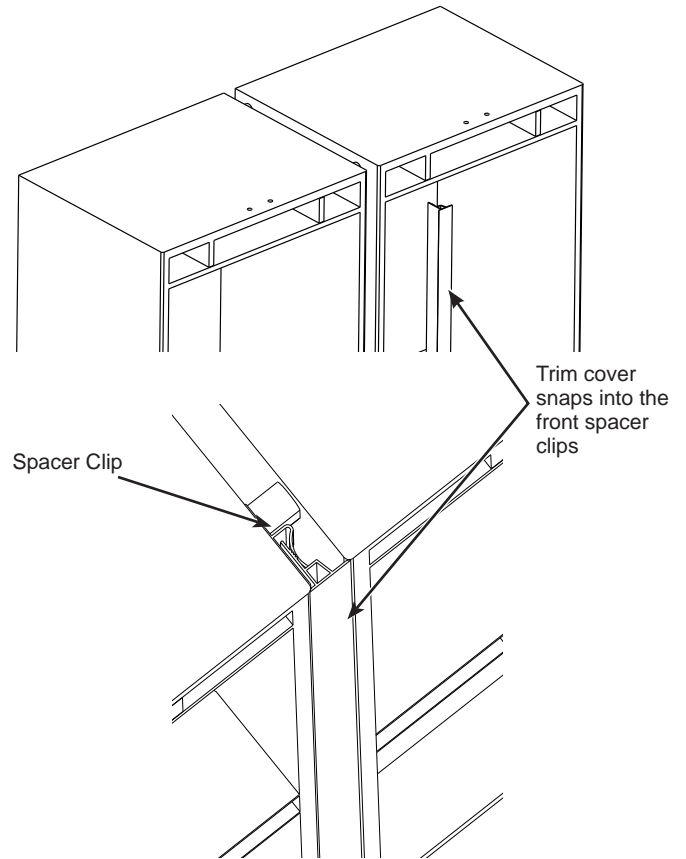
STEP 15 INSTALL TOEKICK AND VENT

- Locate the toekick, vent and screws (removed earlier).
- A custom toekick can be installed to match or complement the surrounding cabinetry. Use the supplied toekick as a template.
- Reinstall the vent using the screws removed earlier.
- Reinstall the toekick .



STEP 16 INSTALL FRONT TRIM

Attach front trim piece, provided in the Heater Unification Kit, along length of units from top to bottom by snapping into the clips that were attached in step 2.



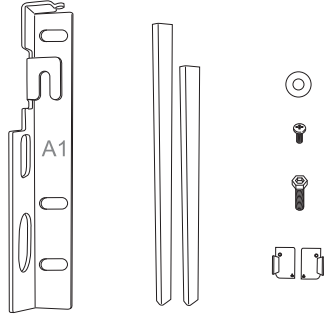
Installation Instructions

INSTALLATION INSTRUCTIONS FOR MULTIPLE UNITS (cont.)

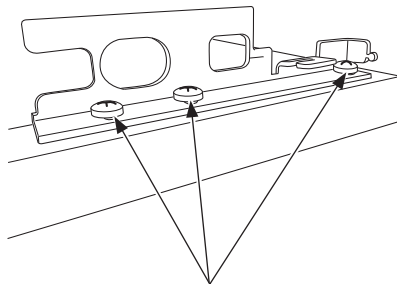
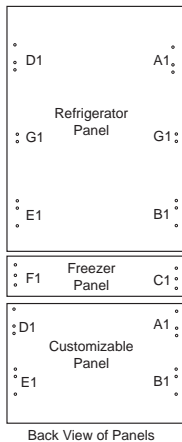
STEP 17 INSTALL DOOR AND DRAWER PANELS

1. Remove all door and drawer panel hardware and trim from the unit.

Item	Quantity
Panel Brackets	12
Phillips Machine Screws (for use with SS Panel Accessory)	34
Allen Hex Socket Head Screws	12
Washers	12
Door Trim	6
Trim Caps	12
Allen Wrench	2

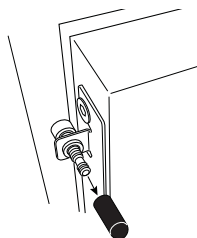


2. Attach A1 - F1 brackets to the door panels in the locations identified below. Custom panels must have pre-drilled holes as shown in Door Panel Templates: 31-1000149, 31-1000150, 31-1000151, 31-1000152. If you purchased an SS Panel Accessory, use the Phillips machine screws to attach the brackets to the SS door panels. For custom panels, use an appropriate wood screw.

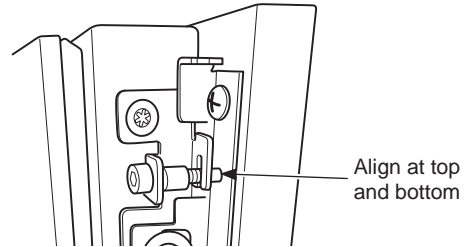


Do not tighten the screws, you will do that after assembly process and left to right alignment.

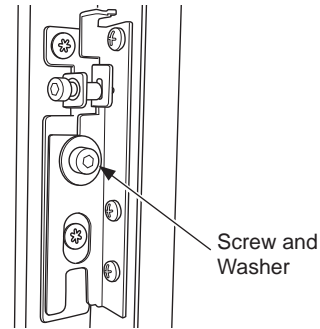
3. If you had custom handles made and they are not currently attached to your panels, do so now.
4. Remove the screw caps from the adjustment pins on the doors.



5. Open the refrigerator door to attach the refrigerator panel.
6. Rest the refrigerator panel on the refrigerator door by aligning the hooks on the panel brackets with the adjustment pins on the door.

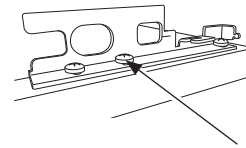


7. Fasten the panel to the refrigerator door in four locations using the hardware shown below. Do not tighten the screws. Screws will be tightened after panel



alignment.

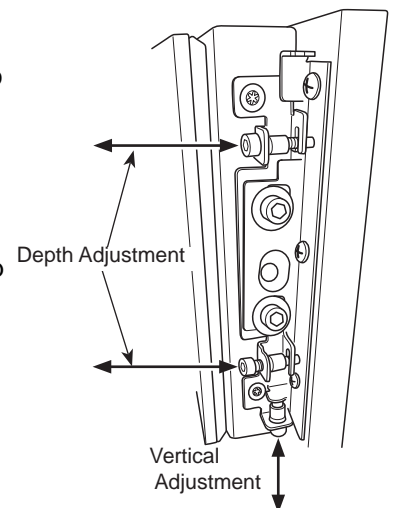
8. Shift the panel side to side to ensure even gaps with



Tighten one screw per bracket. The other screws will be tightened at the end of the alignment process.

the adjacent cabinetry on both sides.

9. Use an allen wrench to adjust the refrigerator door panel depth and height to align with the adjacent cabinetry. There must be a minimum 1/8" gap between the panel and the adjacent cabinetry.

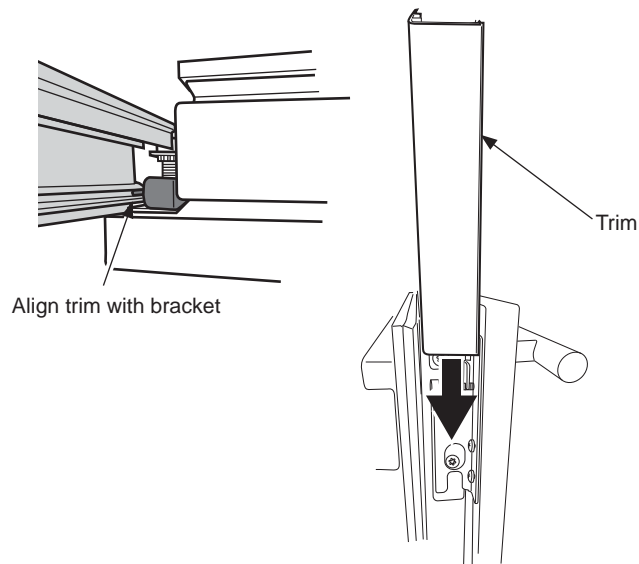


Installation Instructions

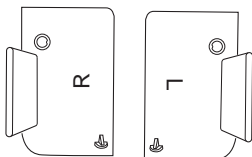
INSTALLATION INSTRUCTIONS FOR MULTIPLE UNITS (cont.)

STEP 17 INSTALL DOOR AND DRAWER PANELS (cont.)

10. Repeat steps 5-9 for the freezer drawer.
11. Repeat steps 5-9 for the customizable drawer.
12. Tighten all screws once you are satisfied with the panel alignment.
13. Slide on trim to hide the panel adjustment hardware.

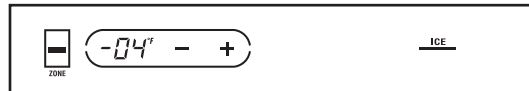


14. Add trim caps to cover the ends of the trim.



STEP 18 START ICEMAKER

- Press the zone indicator on the control pad twice to select the freezer drawer. Press the ICE icon on the right side of the control. A line will appear under ICE to show that the icemaker is ON.
- Be sure nothing interferes with the sweep of the feeler arm.
- Discard the first full bucket of ice cubes.



- To turn the icemaker off, press the ICE icon. The word OFF appears below ICE to show that the icemaker is OFF.



Notes

NOTE: While performing installations described in this book, safety glasses or goggles should be worn.

NOTE: Product improvement is a continuing endeavor at Monogram. Therefore, materials, appearance and specifications are subject to change without notice.



MONOGRAM



INSTRUCTIONS D'INSTALLATION

Réfrigérateur à congélateur en bas encastré de 30 po
Réserve de vin à congélateur en bas encastré de 30 po

FRANÇAIS

Consignes de Sécurité

AVANT DE COMMENCER

Veillez lire toutes ces instructions attentivement.

- **IMPORTANT** — Conservez ces instructions à l'usage de l'inspecteur local. Observez tous les codes et décrets en vigueur.
- **Note à l'installateur** — Assurez-vous de laisser ces instructions au consommateur.
- **Note au consommateur** - Conservez ces instructions avec votre manuel d'utilisation pour consultation ultérieure.

Si vous avez reçu un appareil endommagé, veuillez communiquer immédiatement avec votre revendeur ou votre entrepreneur.

Niveau de compétence – L'installation de cet appareil exige des compétences de base en mécanique, menuiserie et plomberie. La responsabilité d'une installation adéquate relève de l'installateur. La garantie Monogram ne couvre pas les défauts du produit causés par une installation inadéquate. Consultez le manuel d'utilisation pour des renseignements sur la garantie.

AVERTISSEMENT Risque d'électrocution.

Branchez l'appareil dans une prise à 3 broches mise à la terre. N'enlevez pas la broche de mise à la terre. N'utilisez pas un adaptateur.

Cessez immédiatement l'utilisation d'un cordon électrique endommagé. Si le cordon électrique est endommagé, son remplacement doit être exécuté par un technicien en réparation qualifié au moyen d'un cordon de rechange autorisé par le fabricant.

N'utilisez pas un cordon de rallonge avec cet électroménager. Le non-respect de ces instructions peut occasionner un décès, un incendie ou un choc électrique. Suivez les instructions de la section Mise à la terre de l'appareil. Le circuit électrique auquel cet électroménager sera raccordé doit comporter un disjoncteur ou un autre dispositif permettant de couper l'alimentation électrique à l'appareil après l'installation.

AVERTISSEMENT Risque de basculement.

Ces électroménagers sont lourds du haut, notamment lorsqu'une porte est ouverte, de sorte qu'ils doivent être fixés pour prévenir un basculement vers l'avant susceptible d'occasionner des blessures graves ou la mort. Lisez et observez la totalité des instructions d'installation pour connaître la façon de fixer l'électroménager sur le dispositif antibasculement.

AVERTISSEMENT Risque d'explosion.

Gardez les matières et les vapeurs inflammables telles que l'essence à distance de l'électroménager. L'omission de prendre cette précaution peut entraîner un incendie, une explosion ou la mort.

AVERTISSEMENT Pour réduire le risque d'étouffement pendant l'installation de ce produit, ne pas laisser les petites pièces à la portée des enfants âgés de moins de 3 ans.

AVERTISSEMENT Risque lié à la manipulation d'un objet lourd

Cet appareil est très lourd. Afin de réduire le risque de blessure pendant la manipulation et l'installation de cet électroménager, la participation de 2 personnes est nécessaire à l'exécution d'une installation correcte.

AVERTISSEMENT Gardez vos doigts éloignés des points de pincement. Les espaces entre les portes et ceux entre les portes et l'armoire sont particulièrement restreints. Soyez prudent lorsque vous fermez les portes en présence d'enfants.

Pour joindre le service Monogram de votre région, visitez monogram.com ou appelez le 800.444.1845.

Pour le service Monogram au Canada, visitez monogram.ca ou appelez le 800.561.3344..

Pour le service des Pièces et accessoires Monogram, visitez monogram.ca ou appelez le 800.444.1845.

Pour le service des Pièces et accessoires Monogram au Canada, visitez monogram.ca ou appelez le 800.661.1616..

Safety Information

⚠ AVERTISSEMENT

🔥 RISQUE D'EXPLOSION Fluide frigorigène inflammable

Cet électroménager contient le réfrigérant isobutane, R600a, un gaz naturel à compatibilité élevée avec l'environnement. Il s'agit cependant d'un combustible. Observez les consignes de sécurité ci-dessous afin de réduire le risque de blessure ou de dommage à la propriété.

- 1) Lors de la manipulation, de l'installation et de l'utilisation de cet appareil, prenez soin de ne pas endommager les tubes de circulation du fluide frigorigène.
- 2) L'entretien ou la réparation doivent être effectués par un personnel de service autorisé. Utilisez seulement des pièces de rechange autorisées par le fabricant.
- 3) Mettez le réfrigérateur au rebut conformément aux réglementations fédérales et locales. Le fluide frigorigène inflammable et le matériel isolant utilisés nécessitent des procédures de mise au rebut spéciales. Communiquez avec les autorités locales compétentes pour la mise au rebut de votre réfrigérateur sans danger pour l'environnement.
- 4) N'obstruez pas les événements dans l'enceinte prévue pour l'appareil.
- 5) N'utilisez pas d'appareils ou autres moyens mécaniques pour accélérer le processus de dégivrage.
- 6) N'endommagez pas le circuit du fluide frigorigène.
- 7) N'utilisez pas d'appareils électriques dans le compartiment réfrigérateur de cet appareil.

Matières

Guide de conception

Dimensions de l'enceinte pour instructions relatives à un encastrement complet	4
Dimensions de l'unité avec panneaux 3/4 po	5
Dimensions de l'enceinte pour unité simple ou unités multiples	6
L'espace d'installation (par unité)	7
Ouverture de porte à 115°	8
Ouverture de porte à 90°	9
Dimensions du panneau inox en accessoire	10
Dimensions du panneau personnalisé 3/4 po (1,9 cm)	11

Instructions d'installation pour unité simple

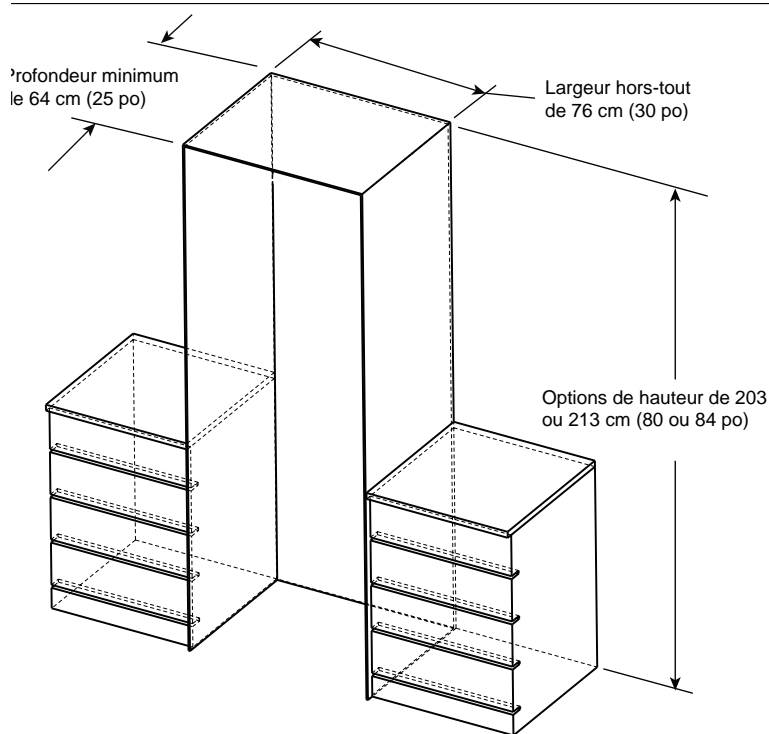
Outils, quincaillerie, matériaux	12
Étape 1. Retirer l'emballage	13
Étape 2. Installer la patte antibasculement	14
Étape 3. Connecter la conduite d'eau	14
Étape 4. Connecter l'alimentation électrique	14
Étape 5. Glisser l'unité dans l'enceinte	15
Étape 6. Retirer le coup-de-pied et l'évent	15
Étape 7. Mettre l'unité de niveau	15
Étape 8. Installer le coup-de-pied et l'évent	16
Étape 9. Inverser le sens d'ouverture de porte	16
Étape 10. Ajuster l'ouverture de porte	17
Étape 11. Installer les couvercles de support de porte	17
Étape 12. Installer les panneaux de porte et de tiroir	18
Étape 13. Démarrer la machine à glaçons	19

Instructions d'installation pour unités multiples

Outils, quincaillerie, matériaux	20
Étape 1. Retirer l'emballage	21
Étape 2. Installer la/les trousse(s) d'union pour élément chauffant sur l'unité 2	22
Étape 3. Inverser le sens d'ouverture de porte (Unité 1)	24
Étape 4. Ajuster l'ouverture de porte (Unité 1)	26
Étape 5. Installer les couvercles de support de porte (Unité 1)	26
Étape 6. Installer les autres unités	26
Étape 7. Joindre les unités	26
Étape 8. Installer les pattes antibasculement	27
Étape 9. Connecter la conduite d'eau	27
Étape 10. Connecter l'alimentation électrique	27
Étape 11. Glisser les unités dans les enceintes	28
Étape 12. Installer le couvercle de charnière	28
Étape 13. Connecter l'élément chauffant	28
Étape 14. Mettre les unités de niveau	29
Étape 15. Installer le coup-de-pied et l'évent	30
Étape 16. Installer la garniture frontale	30
Étape 17. Installer les panneaux de porte et de tiroir	31
Étape 18. Démarrer la machine à glaçons	32

Guide de conception (une unité)

Dimensions de l'enceinte pour instructions relatives à un encastrement complet



L'ouverture découpée doit avoir une profondeur minimale de 25 po pour un montage sans renforcement.

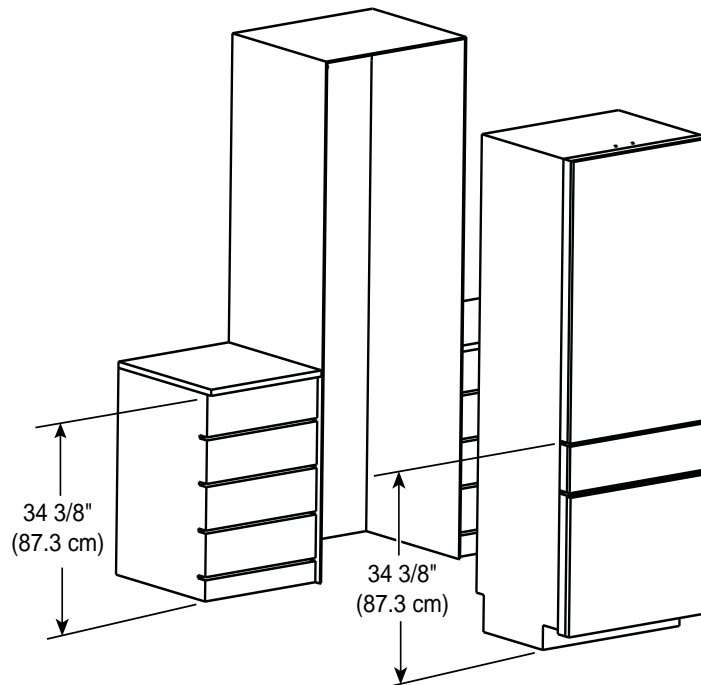
- La face avant du réfrigérateur doit être au même niveau que les meubles adjacents avec une profondeur de 25 po.
- L'unité peut rentrer dans une enceinte d'une hauteur minimale de 80 po (203,2 cm) et maximale de 84 po (213,4 cm). L'unité elle-même ne peut se monter qu'à 80 3/8 po (204,2 cm).
- On peut construire le panneau de porte du réfrigérateur de façon à remplir la hauteur additionnelle; consultez les sections sur les panneaux personnalisés ou en acier inoxydable.



Conseil de conception: Nous recommandons de faire terminer la surface intérieure de l'enceinte à une distance minimale de 4 po de la face avant.



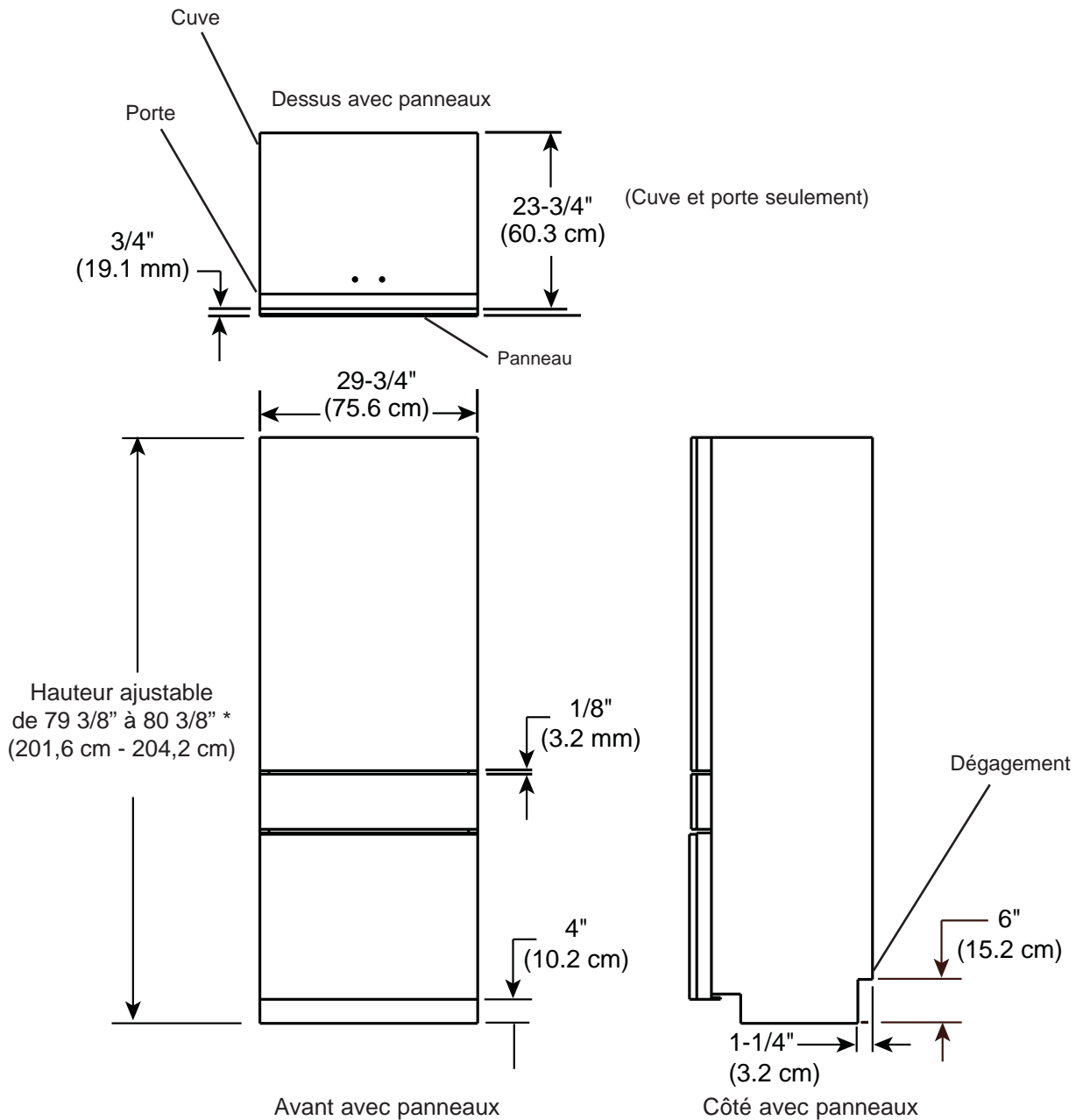
Conseil de conception: Si vous utilisez une enceinte de 84 po (213,4 cm), considérez d'ajouter un bandeau de finition au-dessus de la carrosserie de l'unité.



Conseil de conception: Il est possible d'aligner le tiroir de l'unité sur les armoires adjacentes pour obtenir un aspect complètement intégré.

Guide de conception

Dimensions de l'unité avec panneaux 3/4 po



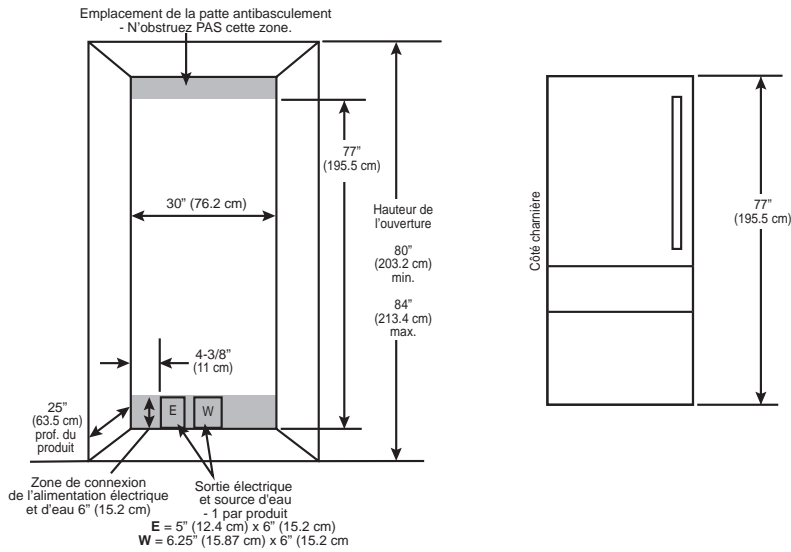
* L'unité peut s'ajuster pour rentrer dans une enceinte de 83 3/8 po (211,8 cm) à 84 3/8 po (214,3 cm) en utilisant la trousse de panneau de porte appropriée.

Dégagements pour l'installation		
Dessus 1/8po / 3mm	Chaque côté 1/4po / 6mm	Arrière 1/2po / 12mm

Guide de conception

Dimensions de l'enceinte pour unité simple ou unités multiples

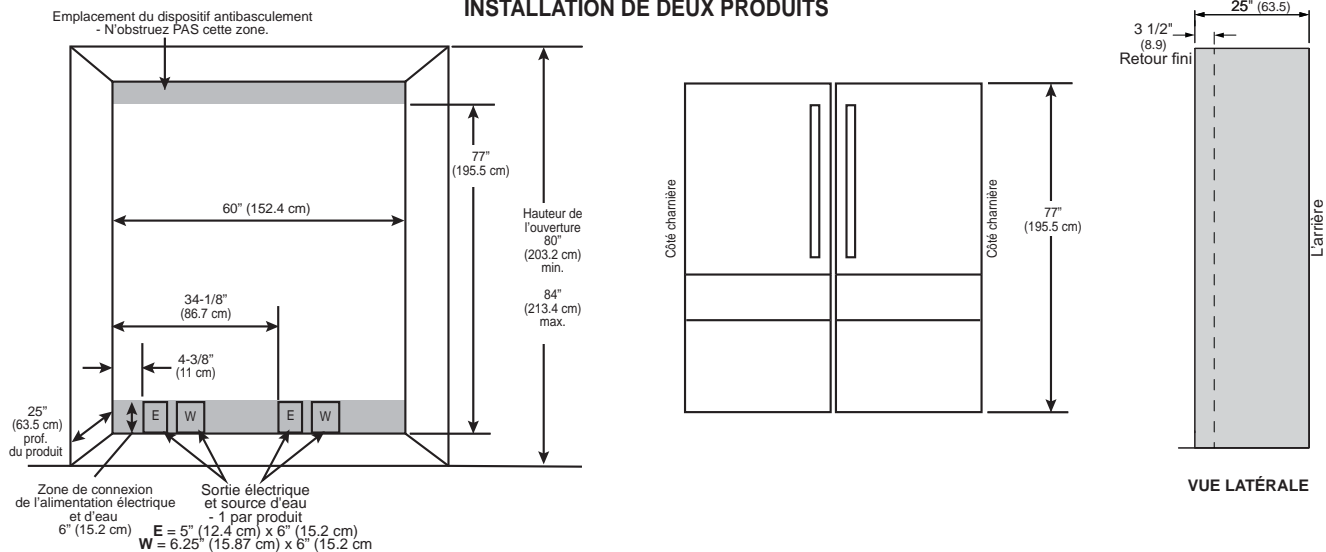
INSTALLATION D'UN SEUL PRODUIT



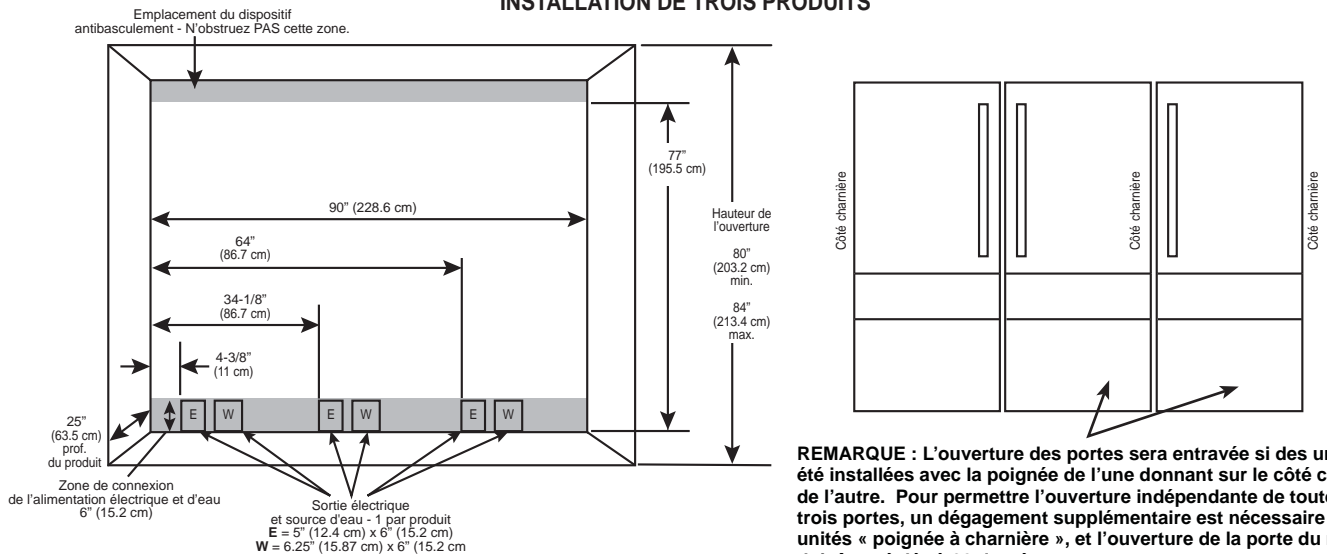
REMARQUES :

- Lorsque deux ou trois unités sont installées côte à côte, un élément chauffant extérieur doit être posé sur la paroi extérieure gauche de la deuxième ou troisième unité. Voir la trousse d'union pour élément chauffant extérieur.
- La hauteur du coup-de-pied est 4 po (10,2 cm) depuis le plancher.
- Le produit peut rentrer dans une enceinte d'une hauteur minimale de 79 1/2 po (201,9 cm) et maximale de 84 1/2 po (214,6 cm).
- L'unité ne peut se monter qu'à 80 3/8 po (204,2 cm).
- On peut construire le panneau de porte de l'unité de façon à remplir la hauteur additionnelle. Voyez la section sur l'ajustement de la porte.

INSTALLATION DE DEUX PRODUITS



INSTALLATION DE TROIS PRODUITS



REMARQUE : L'ouverture des portes sera entravée si des unités ont été installées avec la poignée de l'une donnant sur le côté charnière de l'autre. Pour permettre l'ouverture indépendante de toutes les trois portes, un dégagement supplémentaire est nécessaire entre les unités « poignée à charnière », et l'ouverture de la porte du milieu doit être réglée à 90 degrés.

Guide de conception (Une, deux ou trois unités)

THE INSTALLATION SPACE (Per Unit)

Water and Electrical Locations

Repérez les connexions de l'alimentation électrique et d'eau dans les zones illustrées sur la page des dimensions d'enceinte.

⚠ AVERTISSEMENT Raccordez l'appareil à une alimentation d'eau potable seulement.

PRÉPARATION DEL'INSTALLATION DU TUYAU D'EAU

- Une alimentation d'eau froide est requise pour faire fonctionner la machine à glaçons automatique. La pression de l'alimentation d'eau doit rester dans une gamme de pression entre 40 et 120 p.s.i. (275-827 kPa).
- Faites passer le tuyau d'1/4 po en cuivre ou le tuyau en plastique SmartConnect™ entre la conduite d'eau froide du domicile et le raccord de branchement d'eau.
- Le tuyau doit être suffisamment long pour atteindre l'avant du réfrigérateur. Prévoyez une longueur de tuyau suffisante pour prendre en compte la courbe menant au raccord à la conduite d'eau.
- Le tuyau d'eau peut passer par une ouverture dans le sol ou dans le mur du fond.
- Installez un robinet entre le robinet de la machine à glaçons et le tuyau d'alimentation en eau froide du domicile.

REMARQUE:

- Le robinet doit être placé dans un endroit facilement accessible. Il n'est pas recommandé de le placer derrière l'appareil à cause de l'accès difficile. S'il est nécessaire d'installer un robinet derrière l'appareil, il doit être installé dans les zones grisées du schéma.
- Les robinets de type vanne à étrier sont souvent inclus dans les trousse de branchement de l'alimentation d'eau, mais ne sont pas recommandés pour cette application.
- Les seuls tuyaux en plastique autorisés par GEA sont fournis avec la trousse de tuyauterie pour réfrigérateur SmartConnect™. N'utilisez pas d'autres tuyaux d'alimentation d'eau en plastique, cette ligne étant sous pression en permanence. Certains types de plastique peuvent se fissurer ou se rompre avec le vieillissement et causer des dégâts d'eau dans votre maison. Voyez les trousse de tuyau d'eau à la page des accessoires.
- L'installation sera conforme aux codes de plomberie 248CMR du Commonwealth du Massachusetts. L'utilisation de robinets-vannes à étrier est interdite au Massachusetts. Demandez l'avis de votre plombier qualifié. Emplacement pour la patte anti-basculement. N'obstruez pas cette zone. Branchement électrique et branchement à l'alimentation d'eau. Vue de face de l'enceinte d'installation.

Caractéristiques électriques

- Une alimentation électrique de 115 volts, 60 Hz et de 15 à 20 ampères est demandée. L'utilisation d'un circuit de dérivation individuel correctement mis à la terre ou d'un disjoncteur est recommandée.
- Installez un boîtier électrique à 3 fiches correctement branché à la terre et encastré dans le mur du fond. Le câblage électrique doit se situer sur le mur arrière comme illustré dans la section des dimensions d'enceinte.

REMARQUE: L'utilisation d'un disjoncteur de fuite de terre n'est pas recommandée.

MISE À LA TERRE DE L'UNITÉ

⚠ AVERTISSEMENT  **Risque d'électrocution**

Le non-respect de ces instructions peut occasionner un décès, un incendie ou un choc électrique

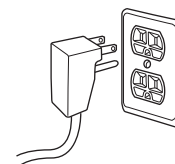
Le cordon d'alimentation de cet appareil est équipé d'une fiche à trois broches (pour une mise à la terre) qui s'adapte à la prise de courant standard à 3 broches (pour une mise à la terre) pour minimiser les risques de chocs électriques par cet appareil. Faites vérifier la prise murale et le circuit électrique par un électricien qualifié pour s'assurer que le système est correctement mis à la terre.

Dans le cas d'une prise biphasee, l'installateur a la responsabilité et l'obligation de la remplacer par une prise triphasée correctement mise à la terre.

Si une prise murale standard 2-broches, il est de votre responsabilité personnelle et l'obligation de la faire remplacer par une prise murale à 3 broches mise à la terre.

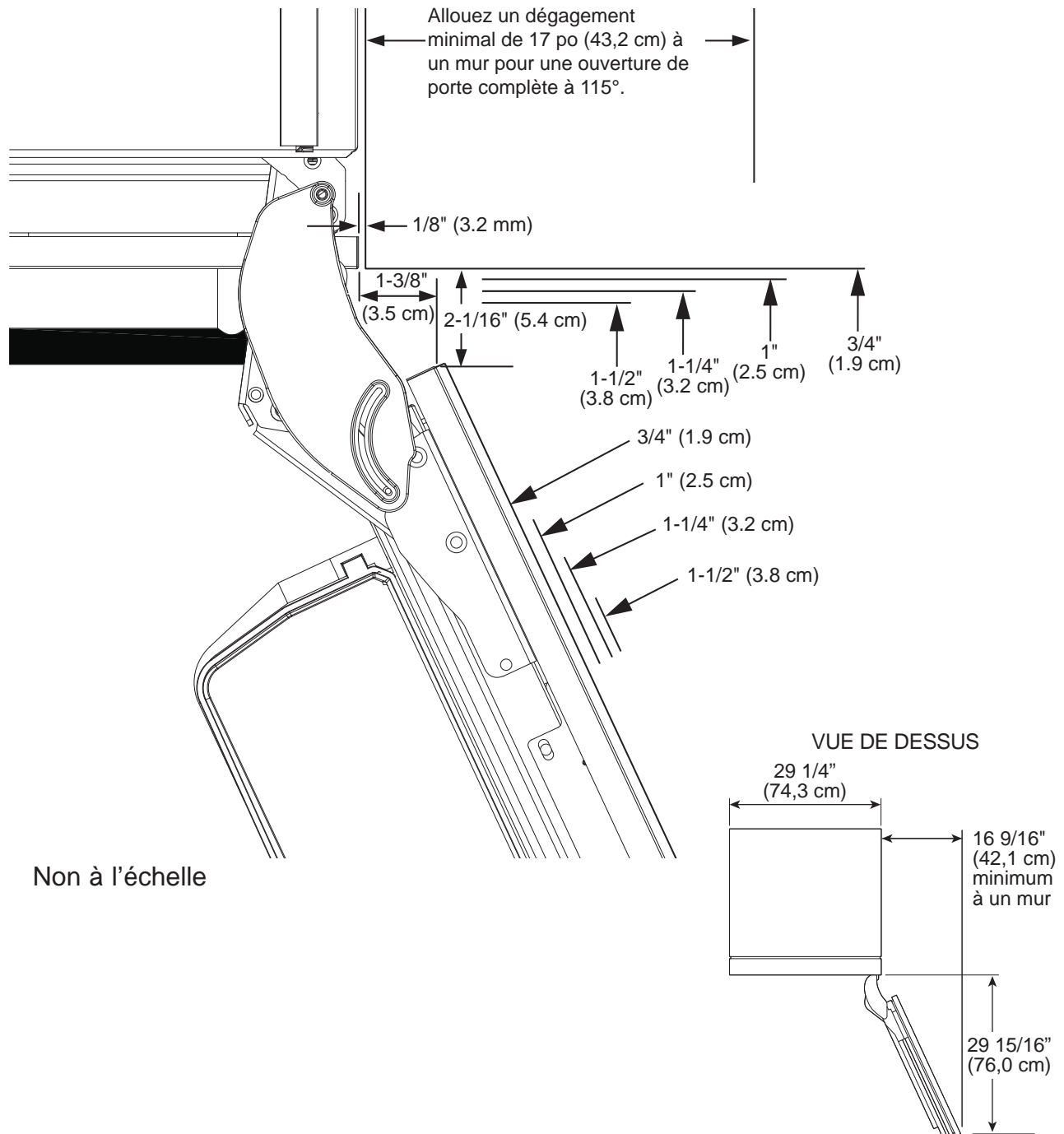
NE COUPEZ PAS OU N'ENLEVEZ PAS, SOUS AUCUN PRÉTEXTE, LA TROISIÈME BROCHE DE MISE À LA TERRE DU CORDON D'ALIMENTATION.

N'UTILISEZ PAS D'ADAPTATEUR POUR BRANCHER LE RÉFRIGÉRATEUR À UNE PRISE BIPHASÉE. N'UTILISEZ PAS DE RALLONGE AVEC CET APPAREIL.



Guide de conception (Une, deux ou trois unités)

Acier inoxydable ou sur mesure Coupe horizontale OUVERTURE DE PORTE À 115°(réglage d'usine)



Dégagements du produit

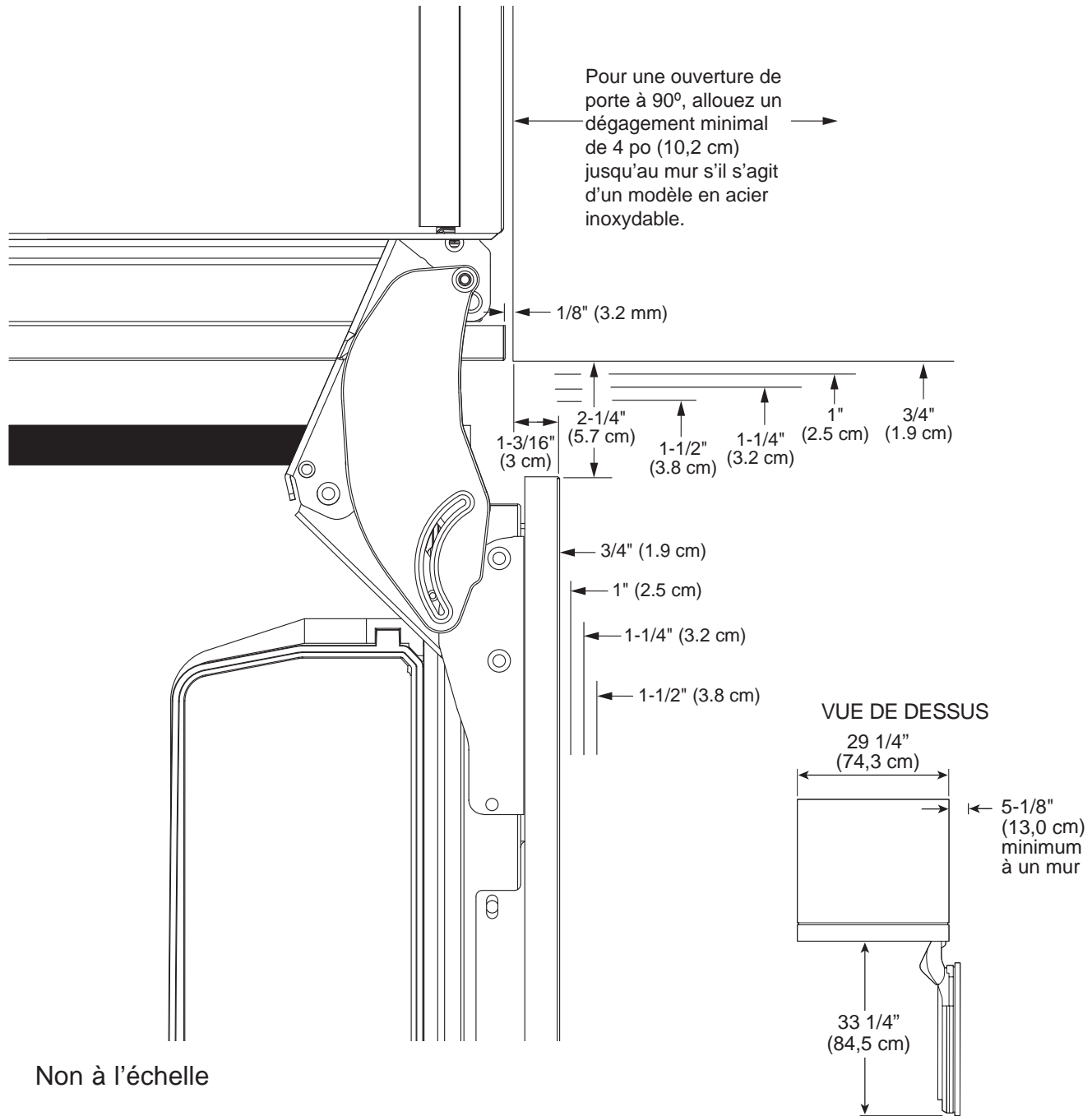
Ces unités sont dotées d'une butée de porte à 2 positions. L'ouverture de porte réglée en usine à 115° peut être réduite à 90° si les dégagements par rapport aux meubles ou murs adjacents sont restreints. Pour une ouverture de porte à 90°, voyez la page suivante.

PORTE OUVERTE À 115°

Dimensions basées sur une hauteur de poignée de 2 9/16" (6,5)

Guide de conception (Une, deux ou trois unités)

Acier inoxydable ou sur mesure
Coupe horizontale OUVERTURE DE
PORTE À 90°(réglages en option)



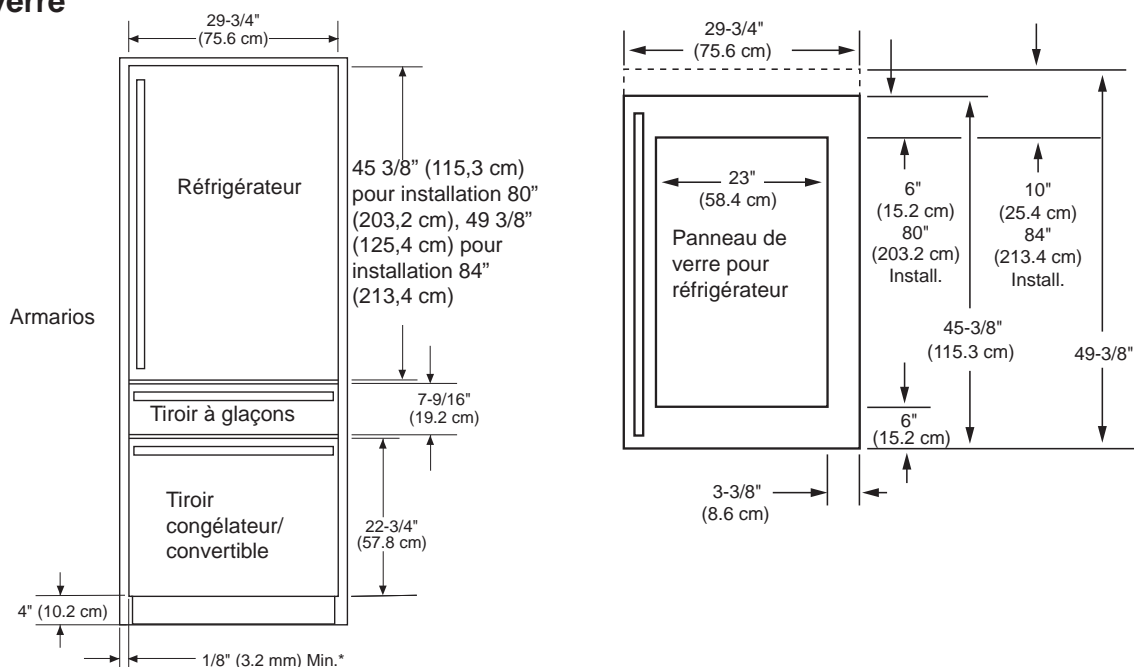
Non à l'échelle

PORTE OUVERTE À 90°
Dimensions basées sur
une hauteur de poignée
de 2 9/16" (6,5)

Guide de conception (Une, deux ou trois unités)

ACCESSOIRES ET DIMENSIONS DES PANNEAUX EN ACIER INOXYDABLE

Options de panneau de porte solide 3/4 po (1,9 cm) et de cadre de 3/4 po (1,9 cm) pour porte en verre



ACCESSOIRES/TROUSSES			
Nom de la trousse			Numéro de pièce
Trousse d'union pour élément chauffant			ZUG30
Tuyau d'eau 8 pi (2,5 m)			WX08X10006
Tuyau d'eau 15 pi (4,6 m)			WX08X10015
Tuyau d'eau 25 pi (7,6 m)			WX08X10025
Trousse de porte pleine et de panneau de tiroir en acier inoxydable (commander pour un produit complet)			
REMARQUE : Chaque trousse contient aussi les pièces assorties suivantes : panneaux personnalisables pour porte du haut, congélateur et tiroirs, et coup-de-pied.			
ATTRIBUTS ET EXIGENCES DE LA TROUSSE POUR PORTE PLEINE ET TIROIR			Numéro de pièce
Devant de porte :	Hauteur de porte	Gauche ou droite	
Verre	80"	Gauche	ZKGSN809NLH
Verre	80"	Droite	ZKGSN804NRH
Verre	84"	Gauche	ZKGSN849NLH
Verre	84"	Droite	ZKGSN844NRH
Solide	80"	Gauche	ZKSSN809NLH
Solide	80"	Droite	ZKSSN804NRH
Solide	84"	Gauche	ZKSSN849NLH
Solide	84"	Droite	ZKSSN844NRH
Poignées et montures			Numéro de pièce
Trousse complète de poignées Minimalist			ZKGC3H3CNSS
Trousse de porte Minimalist			WR12X32600
Poignée Minimalist (tiroir)			WR12X32406
Trousse complète de poignées Statement			ZKGC3H3PNSS
Poignée de porte Statement			WR1232571
Poignée de congélateur Statement			WR12X32599
Trousse de goujon pour poignée de panneau			ZKPN

Guide de conception (Une, deux ou trois unités)

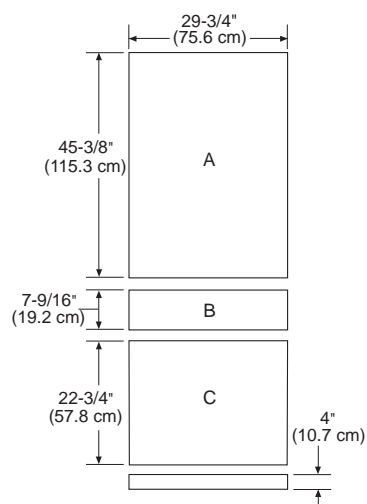
DIMENSIONS D'UN PANNEAU SUR MESURE DE 3/4 po Installation totalement encastrée de 80 po de hauteur

En cas d'installation de panneaux sur mesure, ceux-ci doivent être coupés aux dimensions indiquées. Les panneaux se fixeront à la porte et aux tiroirs à l'aide d'un système de crochets et de pattes.

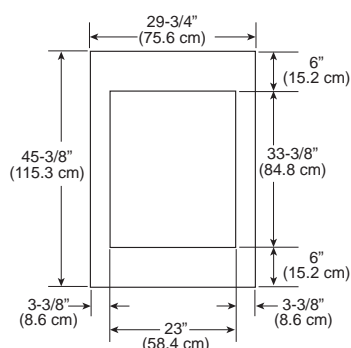
TRÈS IMPORTANT: panneaux en bois sur mesure doit être d'au moins 3/4 "d'épaisseur où les crochets et le matériel de fixation sont attachés Reportez-vous à des modèles pour le crochet et le lieu de fixation.

REMARQUE: Ce produit est conçu pour être utilisé avec des panneaux en bois de 3/4 po. Dimensions maximales de l'ouverture pour une vitre en verre : 33-3/8 po x 23 po. L'ouverture peut être plus petite si vous le souhaitez.

PANNEAUX POUR PORTES ET TIROIRS MASSIFS



PANNEAUX POUR PORTE EN



REMARQUE IMPORTANTE: Poids maximal du panneau:

- A** Panneau de porte du compartiment réfrigérateur : 33 livres (15 kg).
- B** Panneau du tiroir congélateur : 9 livres (4 kg).
- C** Panneau du tiroir convertible : 19 livres (9 kg).

*Les styles doivent être d'au moins 3-3/8 po pour recouvrir le cadre de porte en aluminium.



Conseil de conception: Une partie de chaque panneau sera visible du côté intérieur de l'appareil. Il est recommandé que la finition soit faite de chaque côté du panneau.

Conseil de conception: En cas d'utilisation de panneaux sur mesure, il est important de penser à une plinthe sur mesure. Le bas de la cuve est de couleur blanche.

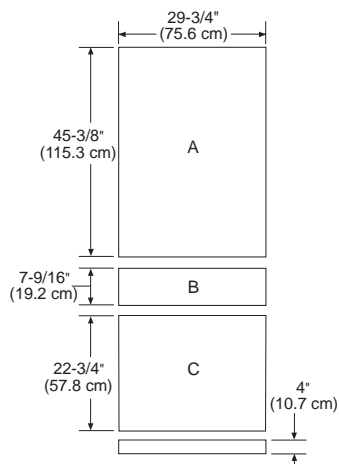
DIMENSIONS D'UN PANNEAU SUR MESURE DE 3/4 po: Installation totalement encastrée de 84 po de hauteur

En cas d'installation de panneaux sur mesure, ceux-ci doivent être coupés aux dimensions indiquées. Les panneaux se fixeront à la porte et aux tiroirs à l'aide d'un système de crochets et de pattes.

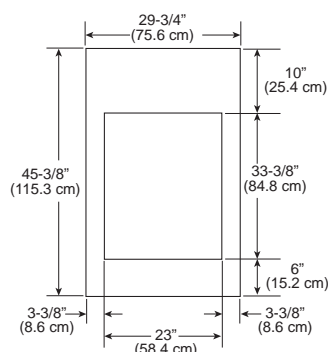
TRÈS IMPORTANT: panneaux en bois sur mesure doit être d'au moins 3/4 "d'épaisseur où les crochets et le matériel de fixation sont attachés Reportez-vous à des modèles pour le crochet et le lieu de fixation.

REMARQUE: Ce produit est conçu pour être utilisé avec des panneaux en bois de 3/4 po. Dimensions maximales de l'ouverture pour une vitre en verre : 33-3/8 po x 23 po. L'ouverture peut être plus petite si vous le souhaitez.

PANNEAUX POUR PORTES ET TIROIRS MASSIFS



PANNEAUX POUR PORTE EN VERRE



REMARQUE IMPORTANTE: Poids maximal du panneau:

- A** Panneau de porte du compartiment réfrigérateur : 33 livres (15 kg).
- B** Panneau du tiroir congélateur : 9 livres (4 kg).
- C** Panneau du tiroir convertible : 19 livres (9 kg).

*Les styles doivent être d'au moins 3-3/8 po pour recouvrir le cadre de porte en aluminium.



Conseil de conception: Une partie de chaque panneau sera visible du côté intérieur de l'appareil. Il est recommandé que la finition soit faite de chaque côté du panneau.

Conseil de conception: En cas d'utilisation de panneaux sur mesure, il est important de penser à une plinthe sur mesure. Le bas de la cuve est de couleur blanche.

Instructions d'installation

INSTRUCTIONS D'INSTALLATION POUR UNITÉ SIMPLE

OUTILS REQUIS

- Clé Allen de 5/32 po
- Couteau à lame rétractable
- Escabeau
- Seau
- Niveau
- Diable pour électroménagers
- Coupe-tuyau
- Clé ouverte 7/16 po
- Clé ouverte 1 5/16 po
- Tournevis Phillips cruciforme #2
- Perceuse et jeu de forets
- Douille 5/16 po
- Lunettes de sécurité
- Pincés
- Cliquet 3/8 po
- Torx T-20, T-30 clé

QUINCAILLERIE FOURNIE

- Patte anti-basculement et vis
- Trousse d'installation de panneau
- Gabarits de panneau de porte - Pub # 31-1000149, 31-1000150, 31-1000151, 31-1000152
- Filtre à eau - Pièce # XWFE
- Brides d'ancrage et vis pour cloison sèche

ÉQUIPEMENT REQUIS

- Tuyau d'alimentation d'eau en cuivre d' ¼ po ou trousse pour réfrigérateur SmartConnect™
- Robinet d'arrêt d'eau
- Panneaux sur mesure pour la porte du compartiment réfrigérateur, pour le tiroir congélateur et pour le tiroir convertible
- Velcro avec côté adhésif pour la plinthe sur mesure.

SOL

Une installation correcte exige que cette unité soit placée sur la surface d'un matériau dur de niveau et de même hauteur que le reste du plancher. Cette surface doit être suffisamment robuste pour supporter une unité pleinement chargée, ou environ 1200 lb.

REMARQUE: Protégez la finition du sol. Découpez un grand morceau de carton et placez-le sous le réfrigérateur sur l'aire de travail.

EMPLACEMENT DE L'UNITÉ

- N'installez pas l'unité là où la température descend en dessous de 60°F (16°C). L'unité ne fonctionnera pas suffisamment souvent pour maintenir les températures appropriées.
- N'installez pas l'unité là où la température monte au-dessus de 100°F (37°C). L'unité ne fonctionnera pas correctement.
- N'installez pas l'unité dans un endroit exposé à l'eau (pluie, etc.) ou aux rayons directs du soleil.
- N'installez pas l'unité sur un plancher qui n'est pas suffisamment robuste pour supporter son poids à pleine capacité.

Instructions d'installation

INSTRUCTIONS D'INSTALLATION POUR UNITÉ SIMPLE (suite)

ÉTAPE 1 RETRAIT DE L'EMBALLAGE

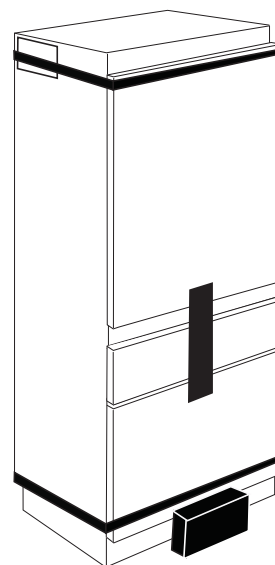
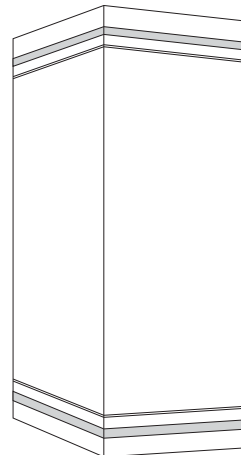
⚠ AVERTISSEMENT



Risque de basculement.

Cet électroménager est lourd du haut. Utilisez d'extrême prudence en le déplaçant afin de prévenir un basculement susceptible d'occasionner des blessures graves ou la mort.

- Coupez les courroies et le ruban adhésif sur le haut et sur le bas de l'emballage à l'aide d'un couteau à lame rétractable.
- Dépliez le carton d'emballage et retirez le haut de l'emballage.
- Retirez le reste de l'emballage en le faisant glisser de l'appareil. Vous pouvez utiliser un couteau polyvalent pour retirer le reste du carton d'emballage EN PRENANT SOIN de ne pas rayer l'appareil.
- Retirez les supports de MPE (mousse de polystyrène expansé) autour de l'unité.
- Pour l'instant, ne retirez pas la sangle de porte ni les parties sanglées avec de la MPE plus basses, attendez que l'unité soit prête à être glissée dans l'enceinte.
- Retirez la patte anti-basculement et le tapis de mousse du haut de l'appareil, puis posez-le à l'écart pour l'installer plus tard.
- Conservez l'élastique de porte avant et le ruban de porte/tiroir sur l'appareil jusqu'à ce que la patte anti-basculement soit installée sur le produit.
- Retirez les pièces de garniture collées sur l'avant du produit et placez-les à l'écart pour les installer plus tard.
- Retirez le ruban d'emballage, sauf pour le ruban de porte/tiroir avant, et apposez des avertissements et étiquettes oranges avec du ruban adhésif.
- Tirez temporairement, sans le retirer, le ruban frontal de porte et de tiroir, il sera réappliqué.
- Ouvrez le tiroir central et retirez le paquet du manuel d'instructions qui comprend les instructions d'installation.
- Fermez le tiroir central et remettez le ruban pour maintenir la porte et le tiroir central fermé jusqu'à ce que la patte anti-basculement soit installée sur le produit.
- Coupez le patin en MPE sur les côtés près du devant à partir de l'arrière de l'unité.
- Poussez l'appareil vers l'avant et retirez la partie arrière de la palette en PSE.
- Posez doucement l'arrière de l'appareil sur le sol.
- Penchez légèrement l'appareil vers l'arrière et retirez la partie avant de la palette en PSE.
- Mettez correctement au rebut les matériaux d'emballage non-utilisés.
- L'unité peut maintenant être déplacée à l'aide d'un diable pour électroménagers ou roulée par 2 personnes sur un plancher adéquatement protégé.
- Laissez toute pellicule protectrice sur l'unité tant que l'installation n'est pas terminée.



Instructions d'installation

INSTRUCTIONS D'INSTALLATION POUR UNITÉ SIMPLE (suite)

⚠ AVERTISSEMENT

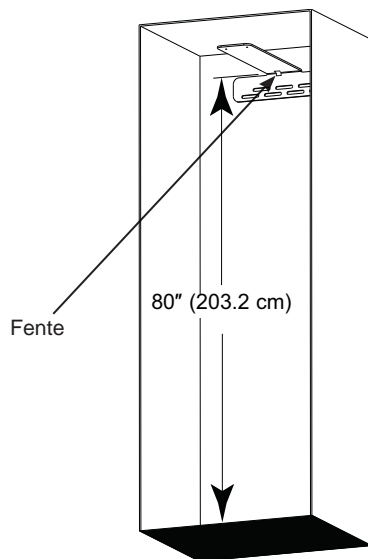


Risque de

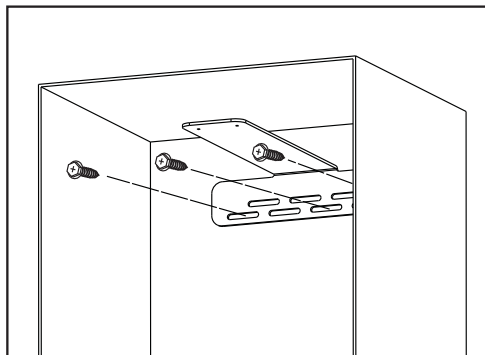
basculement. Ces électroménagers sont lourds du haut, notamment lorsqu'une porte est ouverte, de sorte qu'ils doivent être fixés pour prévenir un basculement vers l'avant susceptible d'occasionner des blessures graves ou la mort. Lisez et observez la totalité des instructions d'installation pour connaître la façon de fixer l'électroménager sur le dispositif antibasculement.

ÉTAPE 2 INSTALLATION DE LA PATTE ANTI-BASCULEMENT

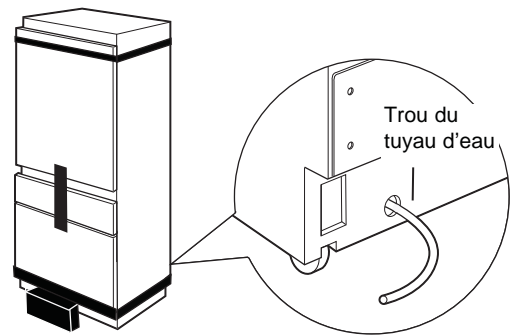
- La partie supérieure interne de la patte anti-basculement doit être installée à une hauteur de 80 po (203.2 cm). La « fente » dans la patte doit être placée au centre de l'espace d'installation (typiquement 15 po [38.1 cm]).
- Marquez (au niveau des fentes) les positions des montants et des ancrages sur les pattes.



- Fixez la patte en utilisant les montants et des ancrages.
- Au moins un des montants doit être utilisé. Toutefois, utilisez autant de montants possibles au sein de l'ouverture. Au moins trois fixations doivent être utilisées pour une installation correcte.



ÉTAPE 3 CONNECT CONDUITE D'EAU



⚠ AVERTISSEMENT

Raccordez l'appareil à une alimentation d'eau potable seulement.

- Placez l'appareil devant l'enceinte.
- Localisez et amenez le tuyau vers l'avant du meuble de cuisine.
- Ouvrez le robinet d'eau pour éliminer les débris dans le tuyau. Faites couler environ 1 litre d'eau dans le tuyau, recueillez l'eau dans un seau puis fermez le robinet.

Si besoin est, coupez le tuyau à la longueur requise pour qu'il puisse être connecté au robinet d'eau.

Tuyau en cuivre:

- Faites passer un écrou et un embout d'1/4 po par-dessus les deux extrémités du tuyau en cuivre. Insérez le tuyau dans le raccord union sur l'appareil et serrez l'écrou.
- Ouvrez le robinet d'eau pour vérifier l'absence de fuites.

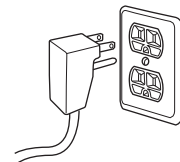
Tuyau SmartConnect™:

- Suivez les instructions fournies avec la tuyauterie. Un serrage excessif peut causer des fuites. Ouvrez l'eau pour vérifier l'absence de fuites.

Remarque : Enroulez la longueur de tuyau excédentaire derrière l'appareil.

ÉTAPE 4 BRANCHEMENT DE L'ALIMENTATION ÉLECTRIQUE

- Branchez le cordon d'alimentation dans la prise.
- Vérifiez que le réfrigérateur soit bien branché en ouvrant le bac à glaçons (la porte FF sera fermée par une courroie) pour vérifier que les lumières intérieures sont allumées.
- Les commandes de température sont préréglées sur 37°F (3°C) pour le réfrigérateur et sur 0°F (-18°C) pour le tiroir du compartiment de congélation et du tiroir convertible.
- Attendez 24 heures que la température se stabilise avant de faire les réglages.

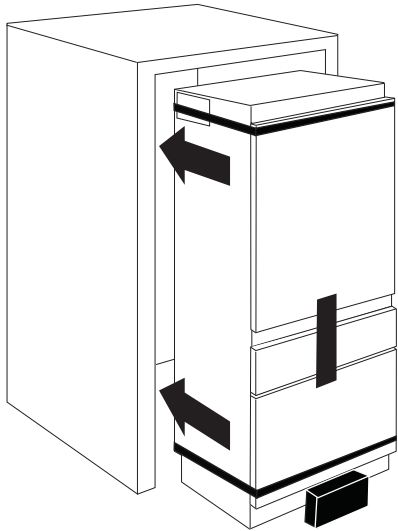


Instructions d'installation

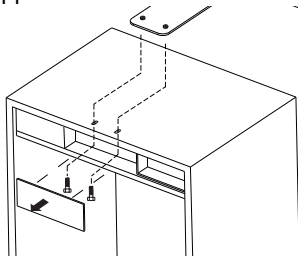
INSTRUCTIONS D'INSTALLATION POUR UNITÉ SIMPLE (suite)

ÉTAPE 5 POSITIONNEMENT DE L'APPAREIL DANS SON ENCEINTE

Faites rouler l'appareil dans son enceinte, en s'assurant de ne pas accrocher le tuyau d'eau ou le câble d'alimentation.



- Une longue barre plate ou une règle de trente-six pouces sera peut-être nécessaire pour guider le bord avant de la patte anti-basculement par-dessus l'appareil.
- S'il y a assez de place, vous pouvez légèrement courber le bord avant de la patte vers le haut, permettant ainsi le passage de l'appareil.

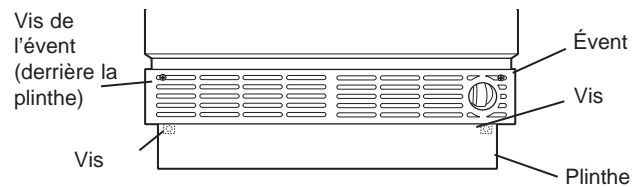


- Retirez la protection de la garniture de l'appareil.
- Fixez l'appareil à la patte anti-basculement à l'aide des vis de mécanique et des rondelles pour enfiler les douilles filetées dans la patte anti-basculement.
- Commencez à visser les vis à la main jusqu'à ce que l'appareil soit dans la position désirée dans l'enceinte.
- Finalisez l'installation en serrant les vis complètement.
- Réinstallez la protection de la garniture.

ÉTAPE 6 INSTALLATION DE LA PLINTHE ET DE L'ÉVENT

La plinthe doit être enlevée pour accéder à la legstyle nivellement

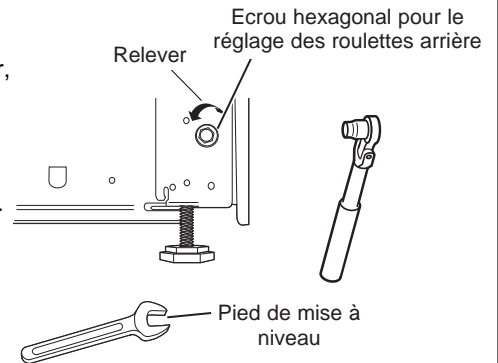
- Retirez la partie pleine de la plinthe en la tirant vers l'avant.
- Placez la plinthe, l'évent et les vis à l'écart pour une réinstallation future.
- Faites passer le tuyau d'eau par l'appareil jusqu'à ce qu'il sorte par l'avant.
- Fixez le tuyau au sol à l'aide de ruban adhésif en attendant que l'appareil soit placé dans l'enceinte.



ÉTAPE 7 MISE À NIVEAU DE L'UNITÉ

Tous les modèles possèdent quatre points de mise à niveau. L'avant est soutenu par des pieds de mise à niveau, l'arrière par des roulettes réglables. Les deux sont accessibles par l'avant du réfrigérateur

- Pour mettre à niveau l'arrière du réfrigérateur, tournez l'écrou hexagonal de 5/16 po situé au dessus des roulettes avant. Tournez dans le sens des aiguilles d'une montre pour rehausser le réfrigérateur et dans le sens inverse des aiguilles d'une montre pour l'abaisser.



- Pour mettre l'avant de niveau, utilisez une clé plate de 1-5/16 po.
- Réglez la hauteur de l'unité pour qu'elle corresponde à l'ouverture de l'installation. Aplombez et mettez l'unité de niveau en fonction des armoires.

NOTIFICATION: Les roulettes arrière et les pieds avant de mise à niveau sont limités à un réglage d'une hauteur maximale de 1 po. Si l'installation demande une hauteur supérieure à 84 1/2 po, l'installateur doit surélever le réfrigérateur à l'aide d'une plaque de contreplaqué ou des patins. Il est également possible d'ajouter une moulure de meuble sur le haut de l'ouverture pour réduire cette dernière.

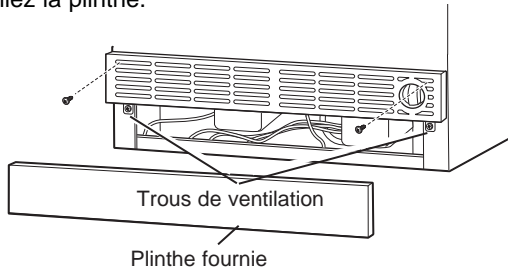
Toute tentative de surélévation du réfrigérateur de plus d'1 po va endommager les pieds avant et les roulettes arrière de mise à niveau.

Instructions d'installation

INSTRUCTIONS D'INSTALLATION POUR UNITÉ SIMPLE (suite)

ÉTAPE 8 INVERSION DE L'OUVERTURE DE PORTE

- Localisez la plinthe, l'évent et les vis (retirés précédemment).
- Une plinthe sur mesure peut être installée pour être assortie ou pour compléter les meubles alentours. Utilisez la plinthe fournie comme modèle pour découper la forme.
- Réinstallez l'évent à l'aide des vis retirées précédemment.
- Réinstallez la plinthe.



ÉTAPE 9 INVERSION DE L'OUVERTURE DE PORTE (si nécessaire)

Sautez cette étape si l'ouverture de la porte est satisfaisante.

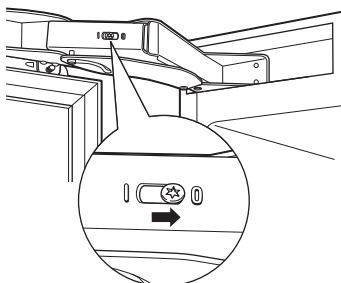
⚠ AVERTISSEMENT Suivez toutes les étapes pour inverser le sens d'ouverture de porte. L'omission de suivre ces instructions, de ne pas utiliser toutes les pièces, ou le serrage excessif des vis, peuvent causer la chute de la porte et occasionner des blessures ou des dommages à la propriété.

1. Retirez le ruban frontal de l'unité.

⚠ AVERTISSEMENT  **Risque de pincement de doigts**

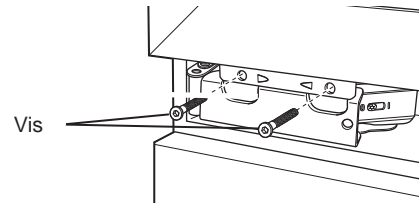
L'étape suivante est importante pour la manipulation en toute sécurité d'une charnière non chargée ne sautez pas l'étape 2.

2. Libérez les ressorts de la charnière en utilisant une clé Torx T-20 pour desserrer la vis Torx de la position 1 à la position 0 sur les deux charnières.

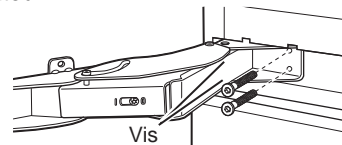


ÉTAPE 9 INVERSION DE L'OUVERTURE DE PORTE (si nécessaire) (suite)

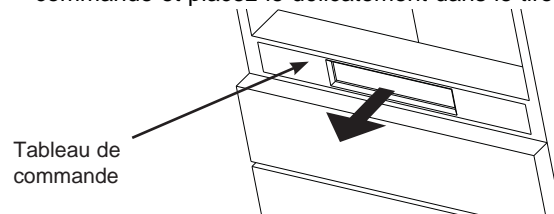
3. A l'aide d'une clé hexagonale de type Allen de 5/32 po, retirez les deux vis de chaque charnière qui maintiennent la porte sur le réfrigérateur. Demandez à quelqu'un de tenir la porte pendant que vous retirez ces vis pour éviter que la porte ne tombe.



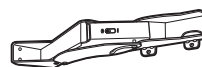
4. Ouvrez les charnières. A l'aide d'une clé hexagonale de type Allen de 5/32 po, retirez les deux vis de chaque charnière qui maintiennent la charnière sur la cuve du réfrigérateur.



5. Retirez la garniture et le compartiment de charnière du haut du réfrigérateur et installez-les sur le côté opposé.
6. Retirez la garniture et le compartiment de charnière du bas du compartiment réfrigérateur. Retirez le tableau de commande et placez-le délicatement dans le tiroir FZ.



7. Réinstallez le tableau de commande.
8. Les charnières seront installées dans les coins opposés. La charnière supérieure sera retournée et installée sur le bas du compartiment réfrigérateur. La charnière inférieure sera retournée et installée sur le haut du compartiment réfrigérateur.

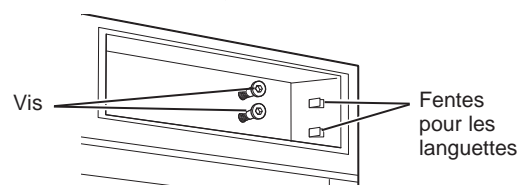


Charnière supérieure



Charnière inférieure

9. Installez les vis sur la cuve du compartiment réfrigérateur aux 4 endroits. Vissez-les jusqu'à mi-course.

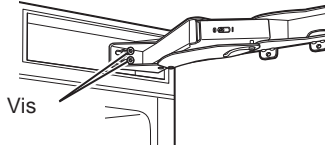


Instructions d'installation

INSTRUCTIONS D'INSTALLATION POUR UNITÉ SIMPLE (suite)

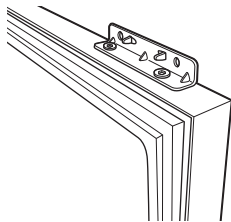
ÉTAPE 9 INVERSION DE L'OUVERTURE DE PORTE (si nécessaire) (suite)

10. Pour installer la charnière supérieure, placez la charnière dans le bon sens - la partie du support qui sera fixée à la porte doit être sur le bas de la charnière. Faites glisser la charnière sur les vis et placez les languettes dans le compartiment de la charnière. Serrez les vis.

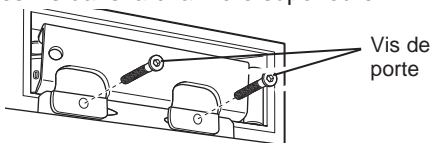


11. Pour installer la charnière inférieure, placez la charnière dans le bon sens — la partie du support qui sera fixé à la porte doit être sur le haut de la charnière. Faites glisser la charnière sur les vis et placez les languettes dans le compartiment de la charnière. Serrez les vis. Fermez la charnière.

12. Retirez les supports de la charnière de la porte et réinstallez-les sur le côté opposé, en haut et en bas.

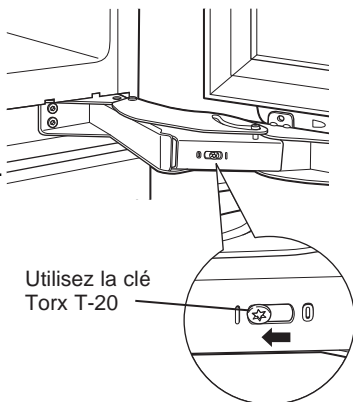


13. Avec l'aide d'une deuxième personne pour maintenir la porte en place, alignez les trous dans le support de la charnière de porte avec ceux dans la charnière. Placez d'abord les vis dans la charnière supérieure.



14. Installez ensuite les vis sur la charnière inférieure.

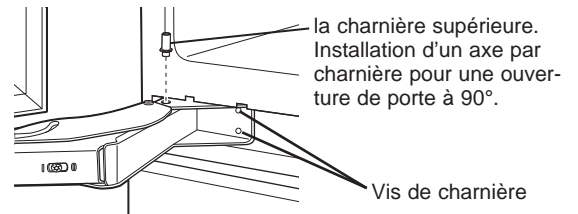
15. A l'aide d'une clé Torx T-20, resserrez la tension sur les ressorts de la charnière en tournant les vis de la position 0 à la position 1.



ÉTAPE 10 RÉGLAGE DE L'OUVERTURE DE PORTE (si nécessaire)

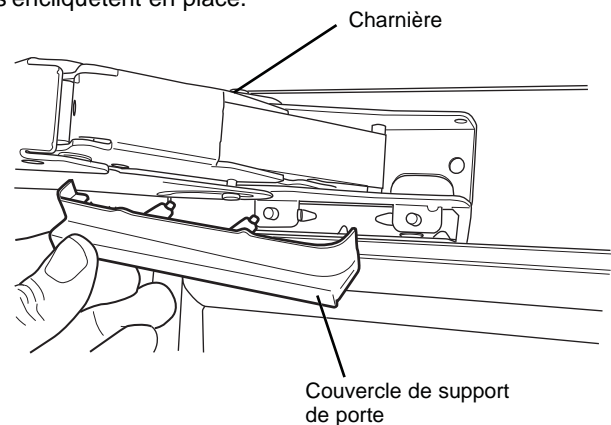
REMARQUE: Ce l'appareil possède 2 butées de position d'ouverture. Quand l'espace ne permet pas l'ouverture de la porte à 115°, vous pouvez limiter l'ouverture de porte à 90°. Ignorez cette étape si l'ouverture de la porte est satisfaisante pour l'installation.

- Ouvrez la porte du compartiment l'appareil pour exposer les charnières supérieure et inférieure.
- Desserrez les vis de la charnière inférieure fixées à la cuve
- Tirez la charnière légèrement vers vous et insérez l'axe de la charnière dans le trou le plus proche de l'appareil.
- Vous pouvez utiliser un petit marteau pour les mettre en place correctement.
- Resserrez les vis de la charnière.
- Répétez cette procédure pour
- Répéter pour la charnière supérieure.



ÉTAPE 11 INSTALLATION DES COUVERCLES DE SUPPORT DE PORTE

Installez les couvercles pour dissimuler les supports près des charnières dans le haut et le bas de la porte. Les couvercles s'encliquètent en place.



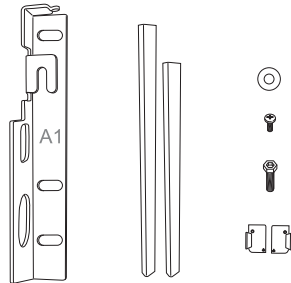
Instructions d'installation

INSTRUCTIONS D'INSTALLATION POUR UNITÉ SIMPLE (suite)

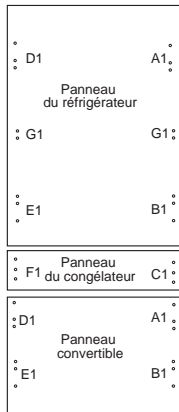
ÉTAPE 12 INSTALLATION DES PANNEAUX DE PORTE ET TIROIR

1. Retirez toute la quincaillerie de porte et de tiroir et la garniture du réfrigérateur.

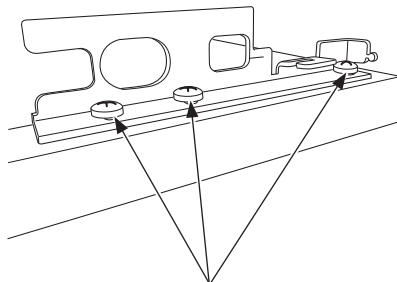
Article	Quantité
Supports du panneau	12
Vis de mécanique à tête cruciforme (pour panneau en acier inoxydable)	34
Vis à tête six-pans	12
Rondelles	12
Garniture de porte	6
Capuchons pour garniture	12
Clé hexagonale	2



2. Fixez les supports A1 – F1 aux panneaux de porte aux endroits indiqués ci-dessous. Les panneaux sur mesure comportent des trous déjà percés comme montré aux gabarits de panneau de porte : 31-1000149, 31-1000150, 31-1000151, 31-1000152. Si vous avez acheté un panneau en acier inoxydable, utilisez les vis mécaniques à tête cruciforme pour fixer les supports aux panneaux de porte en acier inoxydable. Utilisez des vis à bois appropriées pour les panneaux sur mesure.

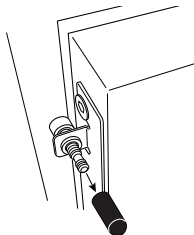


Vue arrière des panneaux



Ne serrez pas complètement les vis, car elles seront serrées après la procédure d'assemblage et le réglage de gauche à droite.

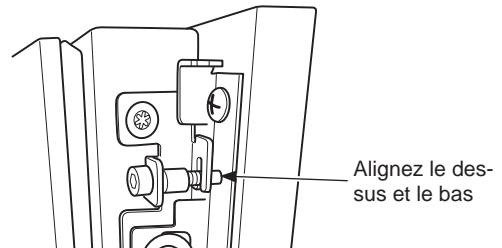
3. Si vous avez des poignées sur mesure et qu'elles ne sont pas déjà installées sur les panneaux, procédez à leur installation.



4. Retirez les capuchons de tiges de réglage installés sur les portes.

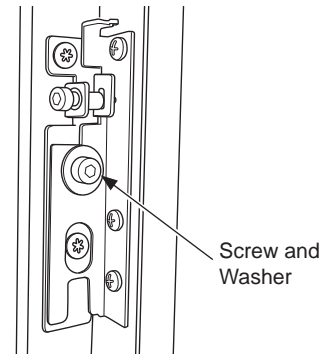
5. Ouvrez la porte du compartiment réfrigérateur pour fixer le panneau du compartiment réfrigérateur.

6. Apposez le panneau du compartiment réfrigérateur sur la porte du compartiment réfrigérateur en alignant les crochets des supports de panneau avec les tiges de réglage de la porte.



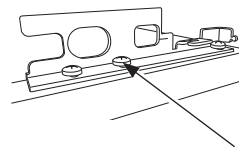
Alignez le dessus et le bas

7. Apposez le panneau de compartiment réfrigérateur sur la porte du compartiment réfrigérateur en alignant les crochets des supports de panneau avec les tiges de réglage de la porte.



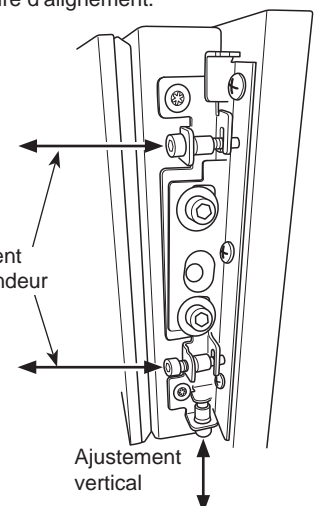
Screw and Washer

8. Déplacez le panneau d'un côté à l'autre pour vous assurer que les espaces de chaque côté du meuble adjacent sont égaux.



Serrez une vis par support. Les autres vis seront serrées après avoir effectué la procédure d'alignement.

9. Utilisez une clé hexagonale pour ajuster la profondeur et la hauteur du panneau de la porte du compartiment réfrigérateur avec le meuble adjacent. Vous devez laisser un espace minimum de 3 mm (1/8 po) entre le panneau et le meuble adjacent.



Ajustement de profondeur

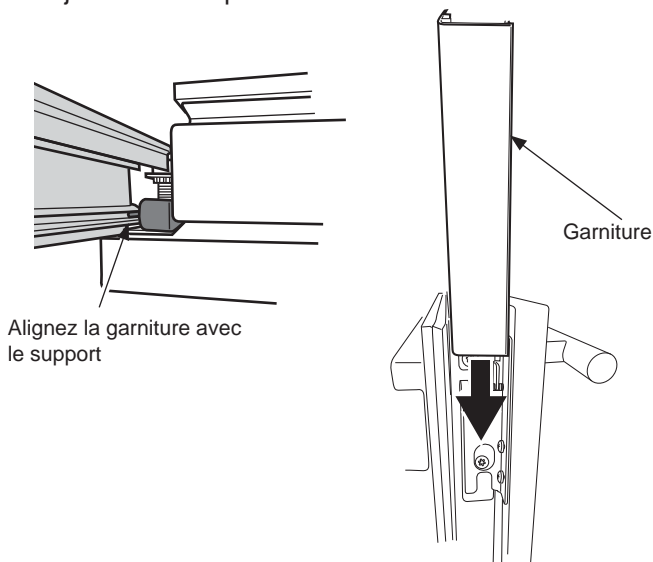
Ajustement vertical

Instructions d'installation

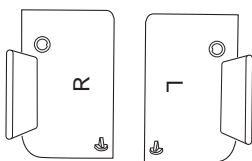
INSTRUCTIONS D'INSTALLATION POUR UNITÉ SIMPLE (suite)

ÉTAPE 12 INSTALLATION DES PANNEAUX DE PROTE ET DE TIROIR (suite)

10. Répétez les étapes 5 à 9 pour le tiroir du congélateur.
11. Répétez les étapes 5 à 9 pour le tiroir convertible.
12. Serrez toutes les vis une fois que vous êtes satisfait de l'alignement du panneau.
13. Glissez la garniture pour camoufler la quincaillerie d'ajustement du panneau.

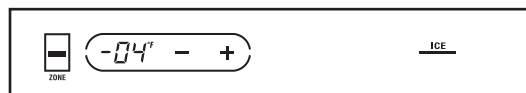


14. Installez les capuchons de la garniture à chaque extrémité de la garniture.

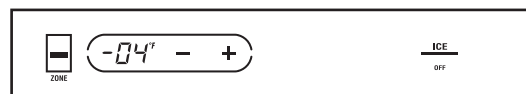


ÉTAPE 13 MISE EN MARCHÉ DE LA MACHINE À GLAÇONS

- Appuyez deux fois sur le voyant ZONE sur le panneau de commande pour sélectionner le tiroir congélateur. Appuyez sur l'icône ICE (glaçon) sur le côté droit des commandes. Une ligne apparaîtra sous ICE (Glaçon) pour indiquer que la machine à glaçons est activée.
- Vérifiez que rien n'interfère avec le déplacement du bras de détection.



- Jetez le premier bac de glaçons.
- Pour arrêter la machine à glaçons, appuyez sur l'icône ICE (glaçon). Le mot OFF (arrêt) apparaîtra sous ICE (Glaçon) pour indiquer que la machine à glaçons est désactivée.



Instructions d'installation

INSTRUCTIONS D'INSTALLATION POUR UNITÉS MULTIPLES

OUTILS REQUIS

- Clé Allen de 5/32 po
- Couteau à lame rétractable
- Escabeau
- Seau
- Niveau
- Diable pour électroménagers
- Coupe-tuyau
- Clé ouverte 7/16 po
- Clé ouverte 1 5/16 po
- Tournevis Phillips cruciforme #2
- Perceuse et jeu de forets
- Douille 5/16 po
- Lunettes de sécurité
- Pincés
- Cliquet 3/8 po
- Torx T-20, T-30 clé

QUINCAILLERIE FOURNIE

- Patte anti-basculement et vis
- Trousse d'installation de panneau
- Gabarits de panneau de porte - Pub # 31-1000149, 31-1000150, 31-1000151, 31-1000152
- Filtre à eau - Pièce # XWFE
- Brides d'ancrage et vis pour cloison sèche

ÉQUIPEMENT REQUIS

- Tuyau d'alimentation d'eau en cuivre d' ¼ po ou trousse pour réfrigérateur SmartConnect™
- Robinet d'arrêt d'eau
- Panneaux sur mesure pour la porte du compartiment réfrigérateur, pour le tiroir congélateur et pour le tiroir convertible
- Velcro avec côté adhésif pour la plinthe sur mesure.
- Trousse d'union pour élément chauffant ZUG30 (1 trousse nécessaire pour chaque unité supplémentaire.)

SOL

Une installation correcte exige que cette unité soit placée sur la surface d'un matériau dur de niveau et de même hauteur que le reste du plancher. Cette surface doit être suffisamment robuste pour supporter une unité pleinement chargée, ou environ 1200 lb.

REMARQUE: Protégez la finition du sol. Découpez un grand morceau de carton et placez-le sous le réfrigérateur sur l'aire de travail.

EMPLACEMENT DE L'UNITÉ

- N'installez pas l'unité là où la température descend en dessous de 60°F (16°C). L'unité ne fonctionnera pas suffisamment souvent pour maintenir les températures appropriées.
- N'installez pas l'unité là où la température monte au-dessus de 100°F (37°C). L'unité ne fonctionnera pas correctement.
- N'installez pas l'unité dans un endroit exposé à l'eau (pluie, etc.) ou aux rayons directs du soleil.
- N'installez pas l'unité sur un plancher qui n'est pas suffisamment robuste pour supporter son poids à pleine capacité.

Instructions d'installation

INSTRUCTIONS D'INSTALLATION POUR UNITÉS MULTIPLES (suite)

ÉTAPE 1 RETRAIT DE L'EMBALLAGE

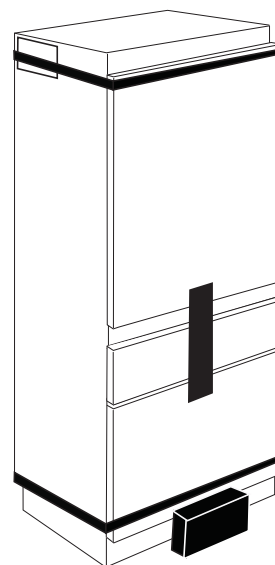
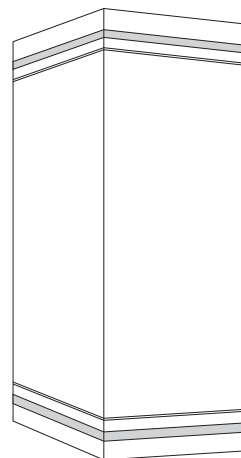
⚠ AVERTISSEMENT



Risque de basculement.

Cet électroménager est lourd du haut. Utilisez d'extrême prudence en le déplaçant afin de prévenir un basculement susceptible d'occasionner des blessures graves ou la mort.

- Coupez les courroies et le ruban adhésif sur le haut et sur le bas de l'emballage à l'aide d'un couteau à lame rétractable.
- Dépliez le carton d'emballage et retirez le haut de l'emballage.
- Retirez le reste de l'emballage en le faisant glisser de l'appareil. Vous pouvez utiliser un couteau polyvalent pour retirer le reste du carton d'emballage EN PRENANT SOIN de ne pas rayer l'appareil.
- Retirez les supports de MPE (mousse de polystyrène expansé) autour de l'unité.
- Pour l'instant, ne retirez pas la sangle de porte ni les parties sanglées avec de la MPE plus basses, attendez que l'unité soit prête à être glissée dans l'enceinte.
- Retirez la patte anti-basculement et le tapis de mousse du haut de l'appareil, puis posez-le à l'écart pour l'installer plus tard.
- Conservez l'élastique de porte avant et le ruban de porte/tiroir sur l'appareil jusqu'à ce que la patte anti-basculement soit installée sur le produit.
- Retirez les pièces de garniture collées sur l'avant du produit et placez-les à l'écart pour les installer plus tard.
- Retirez le ruban d'emballage, sauf pour le ruban de porte/tiroir avant, et apposez des avertissements et étiquettes oranges avec du ruban adhésif.
- Tirez temporairement, sans le retirer, le ruban frontal de porte et de tiroir, il sera réappliqué.
- Ouvrez le tiroir central et retirez le paquet du manuel d'instructions qui comprend les instructions d'installation.
- Fermez le tiroir central et remettez le ruban pour maintenir la porte et le tiroir central fermé jusqu'à ce que la patte anti-basculement soit installée sur le produit.
- Coupez le patin en MPE sur les côtés près du devant à partir de l'arrière de l'unité.
- Poussez l'appareil vers l'avant et retirez la partie arrière de la palette en PSE.
- Posez doucement l'arrière de l'appareil sur le sol.
- Penchez légèrement l'appareil vers l'arrière et retirez la partie avant de la palette en PSE.
- Mettez correctement au rebut les matériaux d'emballage non-utilisés.
- L'unité peut maintenant être déplacée à l'aide d'un diable pour électroménagers ou roulée par 2 personnes sur un plancher adéquatement protégé.
- Laissez toute pellicule protectrice sur l'unité tant que l'installation n'est pas terminée.



Instructions d'installation

INSTRUCTIONS D'INSTALLATION POUR UNITÉS MULTIPLES (suite)

ÉTAPE 2 INSTALLER LA/LES TROUSSE(S) D'UNION POUR ÉLÉMENT CHAUFFANT SUR L'UNITÉ 2

⚠ AVERTISSEMENT

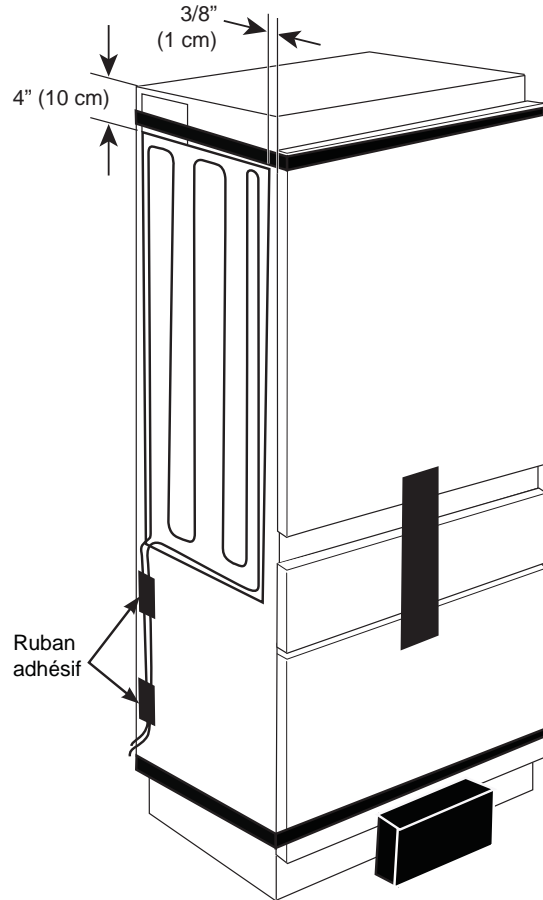


Risque de

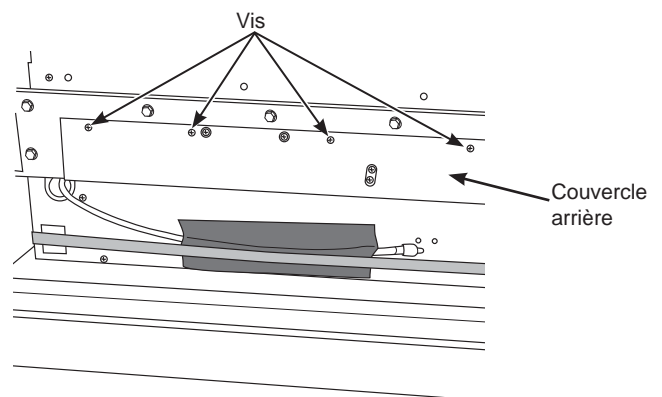
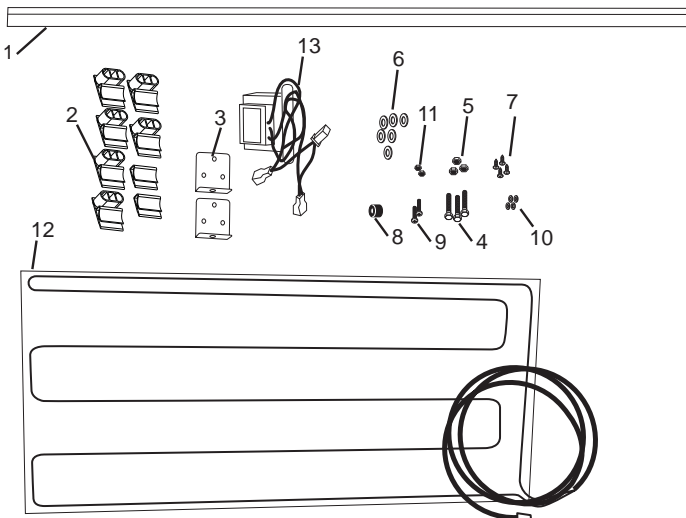
basculement. Ces électroménagers sont lourds du haut, notamment lorsqu'une porte est ouverte, de sorte qu'ils doivent être fixés pour prévenir un basculement vers l'avant susceptible d'occasionner des blessures graves ou la mort. Lisez et observez la totalité des instructions d'installation pour connaître la façon de fixer l'électroménager sur le dispositif antibasculement.

- Ne retirez pas la sangle de porte supérieure ou le ruban frontal de porte ou de tiroir.
- Retirez les autocollants et le ruban restants du côté gauche de la deuxième unité afin de pouvoir installer correctement la trousse d'union pour élément chauffant. NE retirez PAS l'étiquette d'avertissement.
- Essuyez la surface avec un linge sec et propre.
- Ouvrez la/les trousse(s) d'union pour élément chauffant et assurez-vous que toutes les pièces sont incluses. Vous aurez besoin d'une trousse d'union pour élément chauffant pour chaque unité différente de la première.
 1. Couvercle de garniture (ABS) : 1 pièce
 2. Attaches de couvercle de garniture avec ruban adhésif double face : 8 pièces (2 sont différentes)
 3. Ferrure latérale arrière (pièce de coin métallique) : 2 pièces
 4. Vis M6x45 : 3 pièces
 5. Écrou M6-8 : 3 pièces
 6. Rondelle 6-INOX : 6 pièces
 7. Vis 4.8x13 (pour fixation de ferrure) : 4 pièces
 8. Manchon antitraction (pour câblage de l'élément chauffant) : 1 pièce
 9. Vis M4x18 : 2 pièces
 10. Rondelle A4-NR : 4 pièces
 11. Écrou M4x3-NR : 2 pièces
 12. Élément chauffant : 1 pièce
 13. Transformateur avec faisceau de liaison pour élément chauffant - 1 pièce

- Retirez la doublure de papier de l'élément chauffant et appliquez celui-ci avec soin sur le côté gauche de l'unité 2. Appliquez l'élément chauffant à 3/8 po (1 cm) du bord avant et 4 po (10 cm) du bord supérieur. **REMARQUE :** L'élément chauffant est toujours appliqué sur le côté gauche de l'unité (si l'on est face au devant). L'élément chauffant peut recouvrir la partie inférieure de l'étiquette d'avertissement.



- Fixez le faisceau de fils de l'élément chauffant avec du ruban adhésif et retirez les vis du couvercle arrière.

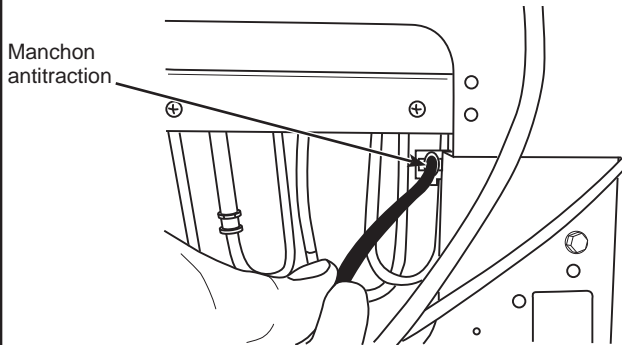


Instructions d'installation

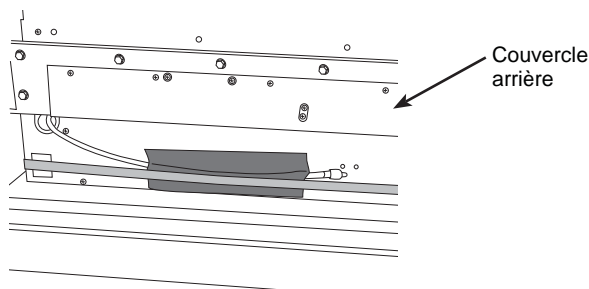
INSTRUCTIONS D'INSTALLATION POUR UNITÉS MULTIPLES (suite)

ÉTAPE 2 INSTALLER LA/LES TROUSSE(S) D'UNION POUR ÉLÉMENT CHAUFFANT SUR L'UNITÉ 2 (suite)

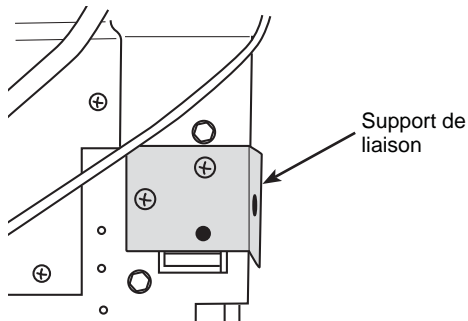
- Placez le faisceau de l'élément chauffant dans le trou en utilisant le manchon antitraction de la trousse et poussez le connecteur du câblage vers le devant de l'unité.



- Refixez le couvercle arrière.

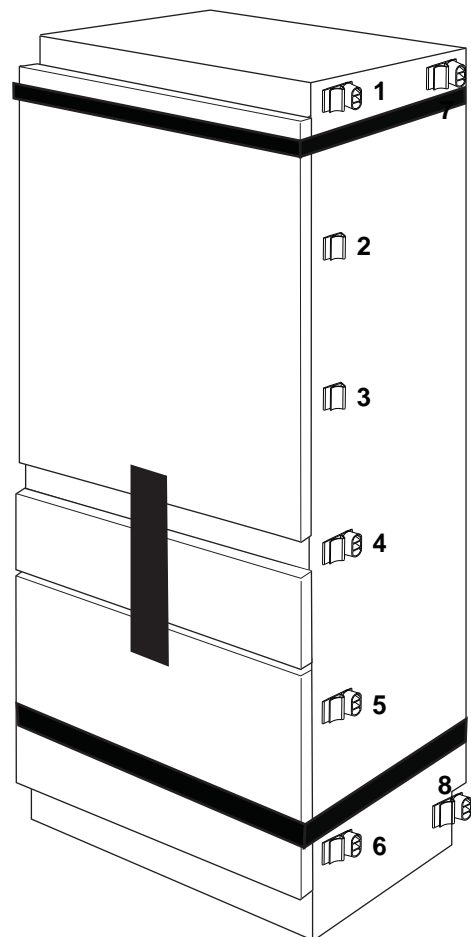
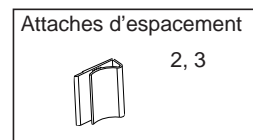
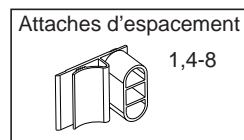


- Fixez le support de liaison sur l'unité 2 à l'aide des vis de la trousse.



- Retirez le ruban et la sangle de l'unité 1.
- Fixez le support de liaison sur l'unité 1 à l'aide des vis de la trousse d'union pour élément chauffant.

- Posez les attaches du couvercle de garniture sur le côté gauche de l'unité 1, à 4 mm du bord avant. L'attache 1 doit s'aligner sur le trou du coin gauche supérieur. L'attache 4 doit s'aligner juste en dessous de la porte supérieure. Les attaches 2 et 3 doivent être espacées également entre les 2 autres. Notez que ces attaches sont différentes des autres. L'attache 6 se pose sur le coin frontal inférieur, à 4 mm du bord avant. L'attache 5 se place à distance égale entre les attaches 4 et 6. L'attache 7 se pose sur le coin droit supérieur, à 4 mm du bord arrière. L'attache 8 se pose sur le bord arrière du réfrigérateur, alignée sur le trou du support de liaison.

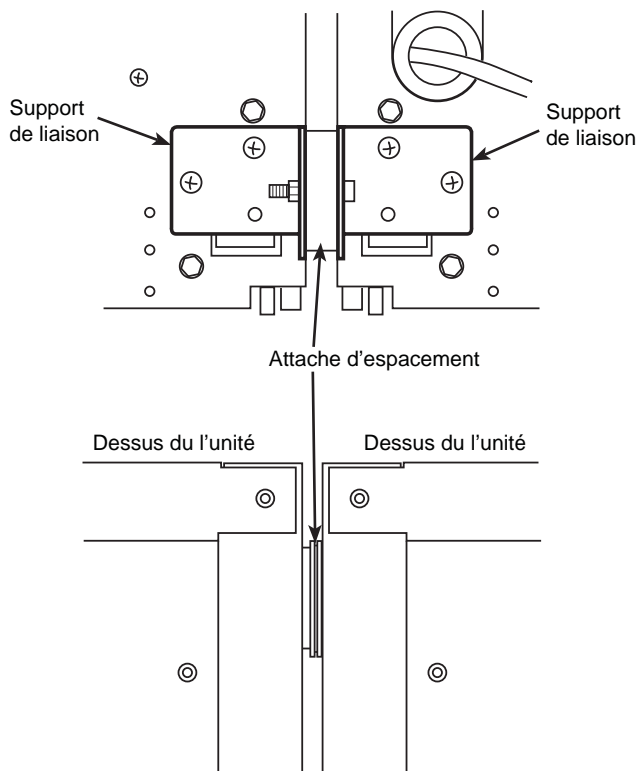


Instructions d'installation

INSTRUCTIONS D'INSTALLATION POUR UNITÉS MULTIPLES (suite)

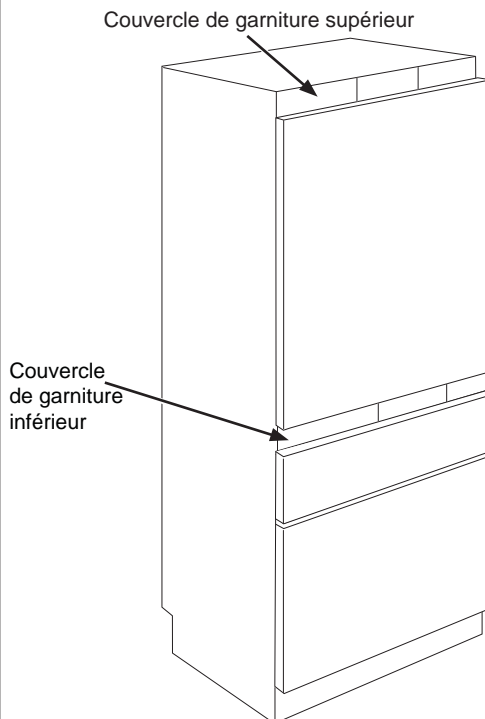
ÉTAPE 2 INSTALLER LA/LES TROUSSE(S) D'UNION POUR ÉLÉMENT CHAUFFANT SUR L'UNITÉ 2 (suite)

- Déplacez les deux (ou plus) unités ensemble et alignez leur devant.
- Attachez les unités 1 et 2 à l'arrière à l'aide des vis et des écrous de la trousse d'union pour élément chauffant ZUG30. Joignez toute autre unité de la même façon.



ÉTAPE 3 INVERSION DE L'OUVERTURE DE PORTE (UNITÉ 1)

- Retirez les couvercles de garniture supérieur et inférieur de l'unité 1.



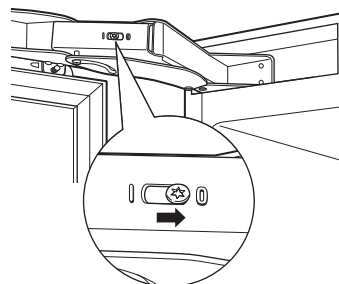
⚠ AVERTISSEMENT Suivez toutes les étapes pour inverser le sens d'ouverture de porte. L'omission de suivre ces instructions, de ne pas utiliser toutes les pièces, ou le serrage excessif des vis, peuvent causer la chute de la porte et occasionner des blessures ou des dommages à la propriété.

1. Tirez le ruban frontal vers le bas suffisamment loin pour ouvrir la porte de réfrigérateur.

⚠ AVERTISSEMENT  **Risque de pincement de doigts**

L'étape suivante est importante pour la manipulation en toute sécurité d'une charnière non chargée ne sautez pas l'étape 2.

2. Libérez les ressorts de la charnière en utilisant une clé Torx T-20 pour desserrer la vis Torx de la position 1 à la position 0 sur les deux charnières.

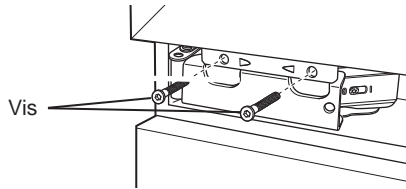


Instructions d'installation

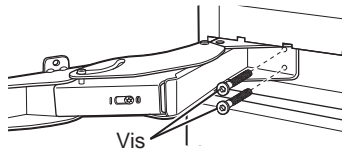
INSTRUCTIONS D'INSTALLATION POUR UNITÉS MULTIPLES (suite)

ÉTAPE 3 INVERSION DE L'OUVERTURE DE PORTE (UNITÉ 1) (suite)

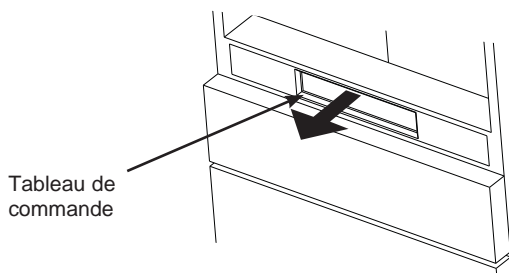
3. A l'aide d'une clé hexagonale de type Allen de 5/32 po, retirez les deux vis de chaque charnière qui maintiennent la porte sur le réfrigérateur. Demandez à quelqu'un de tenir la porte pendant que vous retirez ces vis pour éviter que la porte ne tombe.



4. Ouvrez les charnières. A l'aide d'une clé hexagonale de type Allen de 5/32 po, retirez les deux vis de chaque charnière qui maintiennent la charnière sur la cuve du réfrigérateur.



5. Retirez la garniture et le compartiment de charnière du haut du réfrigérateur et installez-les sur le côté opposé.
6. Retirez la garniture et le compartiment de charnière du bas du compartiment réfrigérateur. Retirez le tableau de commande et placez-le délicatement dans le tiroir FZ.



7. Réinstallez le tableau de commande.
8. Les charnières seront installées dans les coins opposés. La charnière supérieure sera retournée et installée sur le bas du compartiment réfrigérateur. La charnière inférieure sera retournée et installée sur le haut du compartiment réfrigérateur.

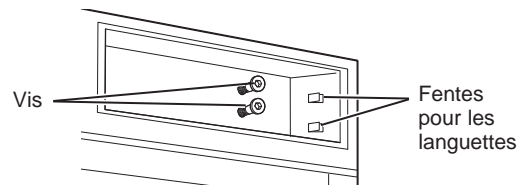


Charnière supérieure

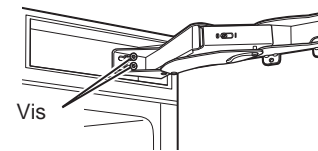


Charnière inférieure

9. Installez les vis sur la cuve du compartiment réfrigérateur aux 4 endroits. Vissez-les jusqu'à mi-course.



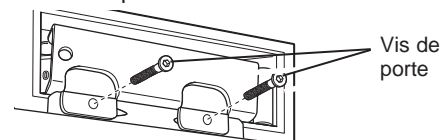
10. Pour installer la charnière supérieure, placez la charnière dans le bon sens - la partie du support qui sera fixée à la porte doit être sur le bas de la charnière. Faites glisser la charnière sur les vis et placez les languettes dans le compartiment de la charnière. Serrez les vis.



11. Pour installer la charnière inférieure, placez la charnière dans le bon sens — la partie du support qui sera fixé à la porte doit être sur le haut de la charnière. Faites glisser la charnière sur les vis et placez les languettes dans le compartiment de la charnière. Serrez les vis. Fermez la charnière.

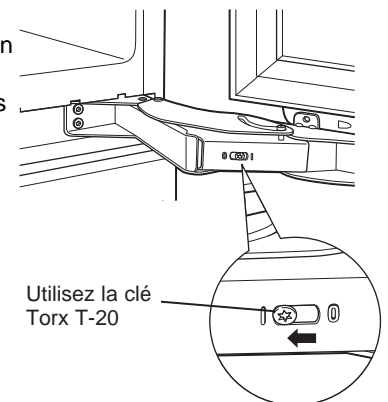
12. Retirez les supports de la charnière de la porte et réinstallez-les sur le côté opposé, en haut et en bas.

13. Avec l'aide d'une deuxième personne pour maintenir la porte en place, alignez les trous dans le support de la charnière de porte avec ceux dans la charnière. Placez d'abord les vis dans la charnière supérieure.



14. Installez ensuite les vis sur la charnière inférieure.

15. A l'aide d'une clé Torx T-20, resserrez la tension sur les ressorts de la charnière en tournant les vis de la position 0 à la position 1.



Instructions d'installation

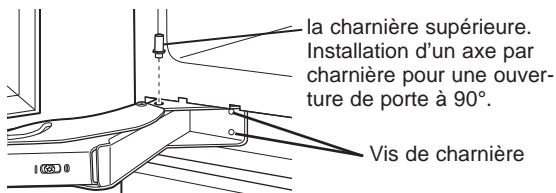
INSTRUCTIONS D'INSTALLATION POUR UNITÉS MULTIPLES (suite)

ÉTAPE 4 RÉGLAGE DE L'OUVERTURE DE PORTE (si nécessaire)

REMARQUE: Ce l'appareil possède 2 butées de position d'ouverture. Quand l'espace ne permet pas l'ouverture de la porte à 115°, vous pouvez limiter l'ouverture de porte à 90°. Un réglage à 90° est recommandé pour toute installation où une unité est flanquée d'une autre unité de chaque côté.

Ignorez cette étape si l'ouverture de la porte est satisfaisante pour l'installation.

- Ouvrez la porte du compartiment l'appareil pour exposer les charnières supérieure et inférieure.
- Desserrez les vis de la charnière inférieure fixées à la cuve
- Tirez la charnière légèrement vers vous et insérez l'axe de la charnière dans le trou le plus proche de l'appareil.
- Vous pouvez utiliser un petit marteau pour les mettre en place correctement.
- Resserrez les vis de la charnière.
- Répétez cette procédure pour
- Répéter pour la charnière supérieure.

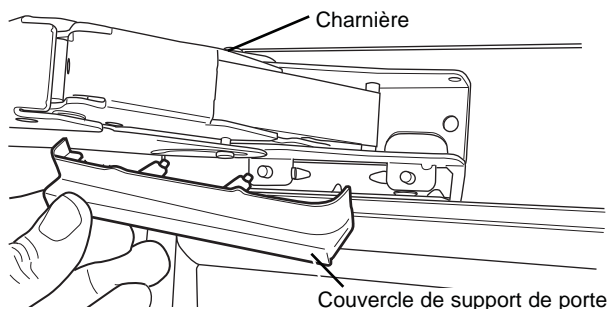


⚠ AVERTISSEMENT Risque de pincement de la garniture de porte

Une installation incorrecte représente un risque de pincement pour les doigts entre le côté de la garniture de porte et les armoires lors de l'ouverture ou de la fermeture de la porte, spécialement pour les enfants. Pour réduire ce risque, vous devez suivre les instructions d'installation selon les dimensions des armoires, l'assemblage de garniture et l'angle de butée de la porte.

ÉTAPE 5 INSTALLATION DES COUVERCLES DE SUPPORT DE PORTE (UNITÉ 1)

Installez les couvercles pour dissimuler les supports près des charnières dans le haut et le bas de la porte. Les couvercles s'encliquètent en place.

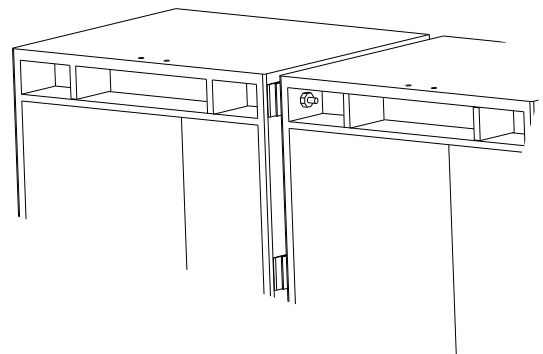
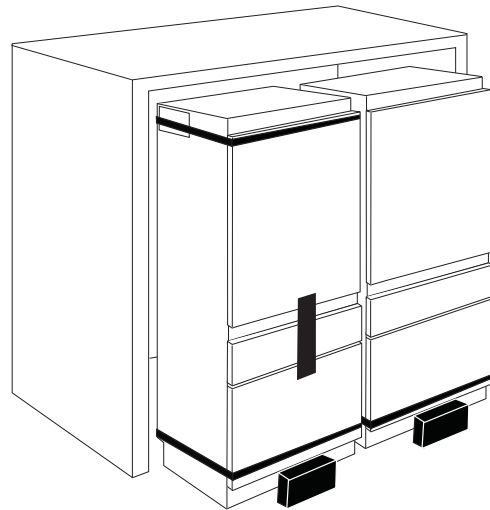


ÉTAPE 6 INSTALLATION DES AUTRES UNITÉS

Exécutez les étapes 2 à 5 pour toute autre unité à installer.

ÉTAPE 7 JOIGNEZ LES UNITÉS

1. Déplacez les unités devant l'enceinte l'une à côté de l'autre, avec les trous supérieurs alignés. À l'aide des boulons, des rondelles et des écrous de la trousse d'union pour élément chauffant, joignez les deux unités sur le devant, le haut et le centre. Serrez les boulons jusqu'à ce que les attaches d'espacement touchent les unités.

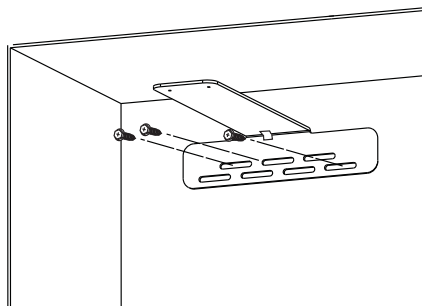
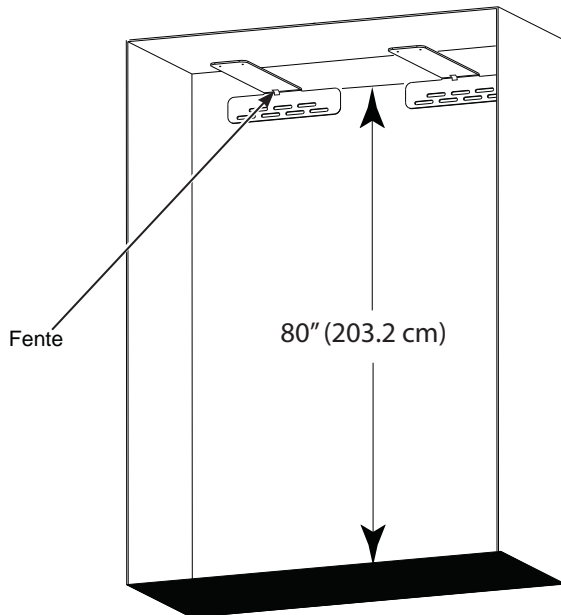


Instructions d'installation

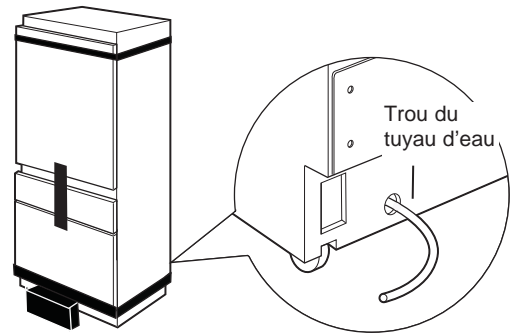
INSTRUCTIONS D'INSTALLATION POUR UNITÉS MULTIPLES (suite)

ÉTAPE 8 INSTALLATION DE LA PATTE ANTI-BASCULEMENT

- Repérez les pattes antibasculement de toutes les unités.
- La partie supérieure interne de la patte anti-basculement doit être installée à une hauteur de 80 po (203.2 cm). La « fente » dans la patte doit être placée au centre de l'espace d'installation (généralement à 15 po [38,1 cm] de l'extérieur).
- Marquez (au niveau des fentes) les positions des montants et des ancrages sur les pattes.
- Fixez la patte en utilisant les montants et des ancrages.
- Au moins un des montants doit être utilisé. Toutefois, utilisez autant de montants possibles au sein de l'ouverture. Au moins trois fixations doivent être utilisées pour une installation correcte.



ÉTAPE 9 CONNECT CONDUITE D'EAU



⚠ AVERTISSEMENT Raccordez l'appareil à une alimentation d'eau potable seulement.

- Placez l'appareil devant l'enceinte.
 - Localisez et amenez le tuyau vers l'avant du meuble de cuisine.
 - Ouvrez le robinet d'eau pour éliminer les débris dans le tuyau. Faites couler environ 1 litre d'eau dans le tuyau, recueillez l'eau dans un seau puis fermez le robinet.
- Si besoin est, coupez le tuyau à la longueur requise pour qu'il puisse être connecté au robinet d'eau.

Tuyau en cuivre:

- Faites passer un écrou et un embout d'1/4 po par-dessus les deux extrémités du tuyau en cuivre. Insérez le tuyau dans le raccord union sur l'appareil et serrez l'écrou.
- Ouvrez le robinet d'eau pour vérifier l'absence de fuites.

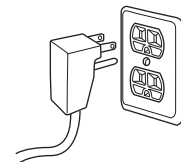
Tuyau SmartConnect™:

- Suivez les instructions fournies avec la tuyauterie. Un serrage excessif peut causer des fuites. Ouvrez l'eau pour vérifier l'absence de fuites.

Remarque : Enroulez la longueur de tuyau excédentaire derrière l'appareil.

ÉTAPE 10 BRANCHEMENT DE L'ALIMENTATION ÉLECTRIQUE

- Branchez le cordon d'alimentation dans la prise.
- Vérifiez que le réfrigérateur soit bien branché en ouvrant le bac à glaçons (la porte FF sera fermée par une courroie) pour vérifier que les lumières intérieures sont allumées.
- Les commandes de température sont pré-réglées sur 37°F (3°C) pour le réfrigérateur et sur 0°F (-18°C) pour le tiroir du compartiment de congélation et du tiroir convertible.
- Attendez 24 heures que la température se stabilise avant de faire les réglages.

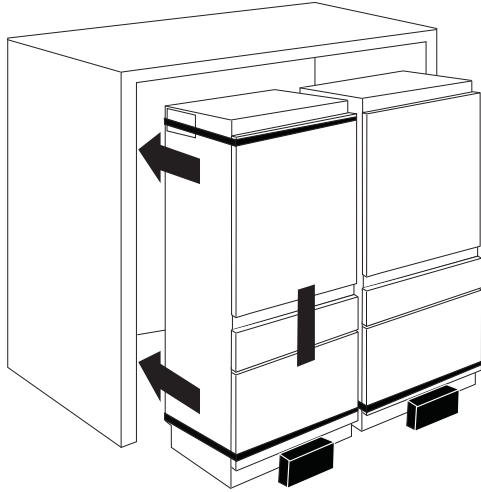


Instructions d'installation

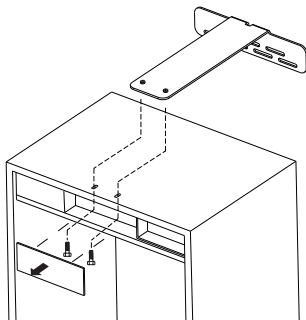
INSTRUCTIONS D'INSTALLATION POUR UNITÉS MULTIPLES (suite)

ÉTAPE 11 GLISSER LES UNITÉS DANS LES ENCEINTES

- Faites rouler l'appareil dans son enceinte, en s'assurant de ne pas accrocher le tuyau d'eau ou le câble d'alimentation.



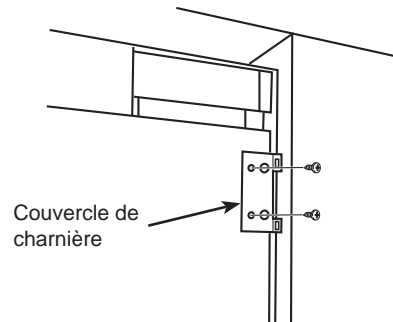
- Retirez tout le ruban sur le devant de chaque unité.
- Une longue barre plate ou une règle de trente-six pouces sera peut-être nécessaire pour guider le bord avant de la patte anti-basculement par-dessus l'appareil.
- S'il y a assez de place, vous pouvez légèrement courber le bord avant de la patte vers le haut, permettant ainsi le passage de l'appareil.



- Retirez la protection de la garniture de l'appareil.
- Fixez l'appareil à la patte anti-basculement à l'aide des vis de mécanique et des rondelles pour enfiler les douilles filetées dans la patte anti-basculement.
- Commencez à visser les vis à la main jusqu'à ce que l'appareil soit dans la position désirée dans l'enceinte.
- Finalisez l'installation en serrant les vis complètement.
- Réinstallez la protection de la garniture.

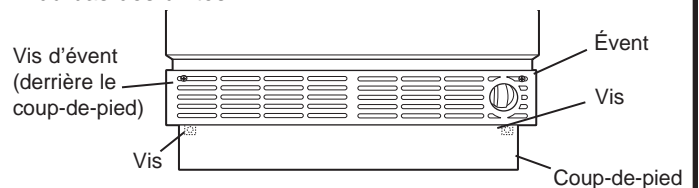
ÉTAPE 12 INSTALLER LE COUVERCLE DE CHARNIÈRE

- Repérez l'ensemble de fixation de panneau dans le tiroir du bas.
- À l'aide des vis fournies, fixez les couvercles de charnière sur le côté charnière supérieur et inférieur de la porte.

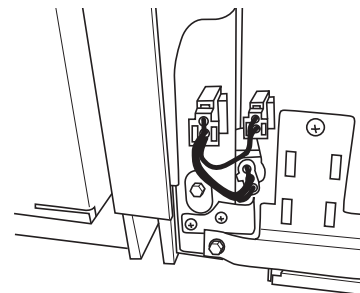


ÉTAPE 13 CONNECTER L'ÉLÉMENT CHAUFFANT

- Coupez les sangles restantes et retirez les blocs en MPE du bas des unités.



- Retirez les coup-de-pied et les événements du bas des unités.
- Repérez et connectez les éléments chauffants dans les faisceaux électriques à l'aide du support de liaison inclus dans la trousse d'union pour élément chauffant.

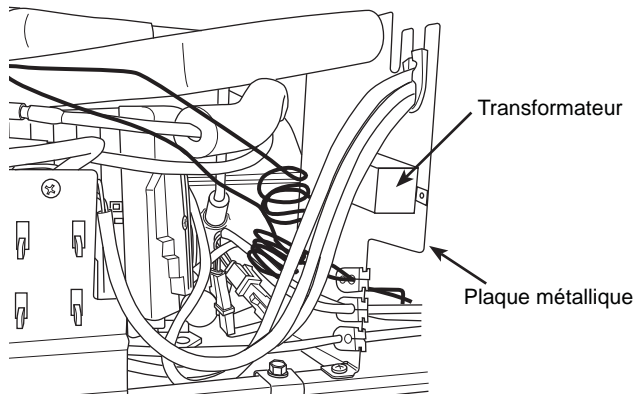


Instructions d'installation

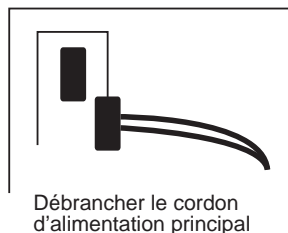
INSTRUCTIONS D'INSTALLATION POUR UNITÉS MULTIPLES (suite)

ÉTAPE 13 CONNECTER L'ÉLÉMENT CHAUFFANT (suite)

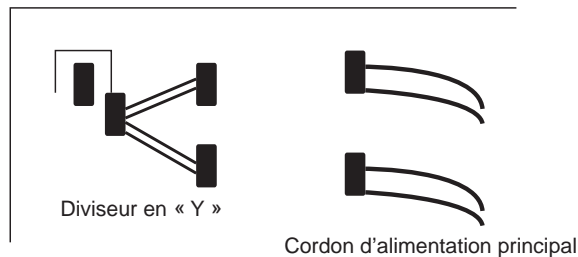
- Repérez la plaque métallique verticale derrière le couvercle d'évent. La plaque comporte deux trous pour monter le transformateur. Placez le transformateur sur la plaque et fixez-le à l'aide des boulons, écrous et rondelles fournis.



- Sur le devant de l'unité, débranchez le cordon d'alimentation et remplacez-le par le diviseur en « Y » fourni dans la trousse. Sur les extrémités du diviseur, branchez le transformateur (fils noir et blanc) et la prise du cordon d'alimentation.



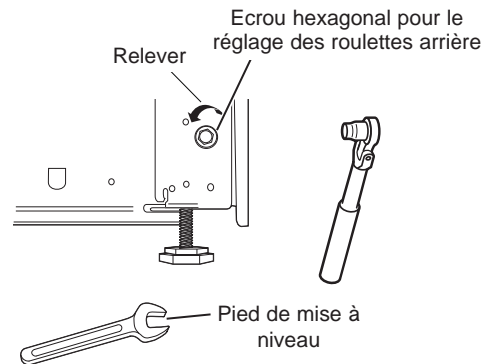
Vers le transformateur



ÉTAPE 14 MISE À NIVEAU DE L'UNITÉ

Tous les modèles possèdent quatre points de mise à niveau. L'avant est soutenu par des pieds de mise à niveau, l'arrière par des roulettes réglables. Les deux sont accessibles par l'avant du réfrigérateur.

- Pour mettre à niveau l'arrière du réfrigérateur, tournez l'écrou hexagonal de 5/16 po situé au dessus des roulettes avant. Tournez dans le sens des aiguilles d'une montre pour rehausser le réfrigérateur et dans le sens inverse des aiguilles d'une montre pour l'abaisser.
- Pour mettre l'avant de niveau, utilisez une clé plate de 1¼ po.
- Réglez la hauteur de l'unité pour qu'elle corresponde à l'ouverture de l'installation. Il faut niveler et aplomber l'unité en fonction des armoires.



NOTIFICATION: Les roulettes arrière et les pieds avant de mise à niveau sont limités à un réglage d'une hauteur maximale de 1 po. Si l'installation demande une hauteur supérieure à 84 ½ po, l'installateur doit surélever le réfrigérateur à l'aide d'une plaque de contreplaqué ou des patins. Il est également possible d'ajouter une moulure de meuble sur le haut de l'ouverture pour réduire cette dernière.

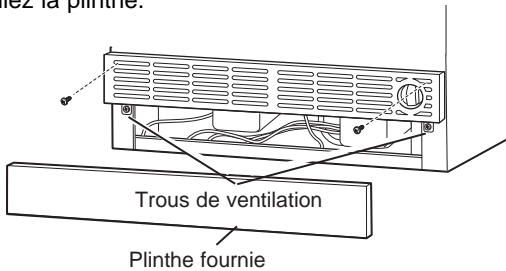
Toute tentative de surélévation du réfrigérateur de plus d'1 po va endommager les pieds avant et les roulettes arrière de mise à niveau.

Instructions d'installation

INSTRUCTIONS D'INSTALLATION POUR UNITÉS MULTIPLES (suite)

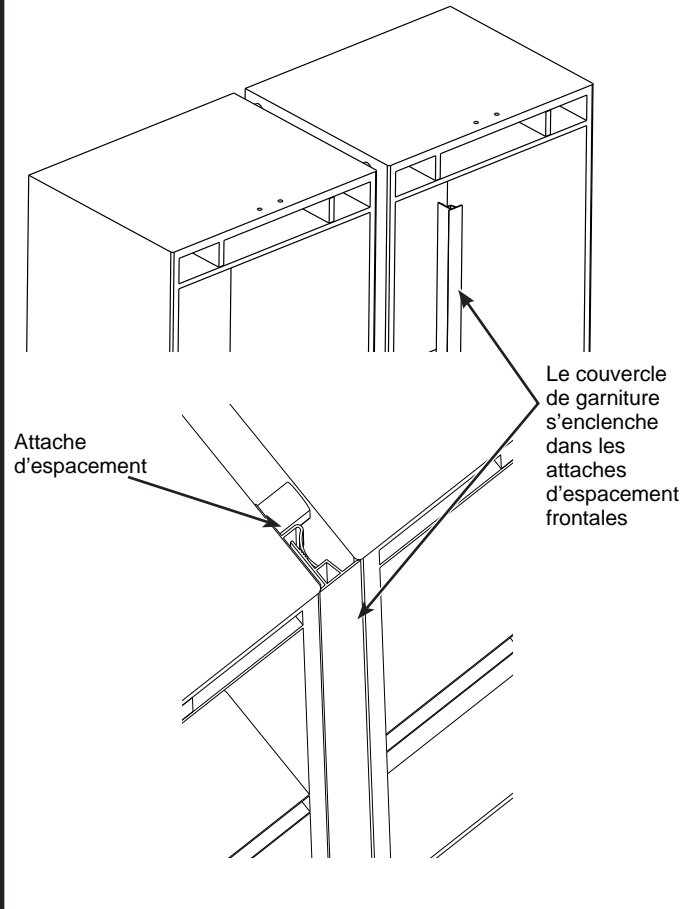
ÉTAPE 15 INVERSION DE L'OUVERTURE DE PORTE

- Localisez la plinthe, l'évent et les vis (retirés précédemment).
- Une plinthe sur mesure peut être installée pour être assortie ou pour compléter les meubles alentours. Utilisez la plinthe fournie comme modèle pour découper la forme.
- Réinstallez l'évent à l'aide des vis retirées précédemment.
- Réinstallez la plinthe.



ÉTAPE 16 INSTALLER LA GARNITURE FRONTALE

Fixez la pièce de garniture frontale (fournie dans la trousse d'union pour élément chauffant) le long des unités de haut en bas en l'enclenchant dans les attaches fixées à l'étape 2.



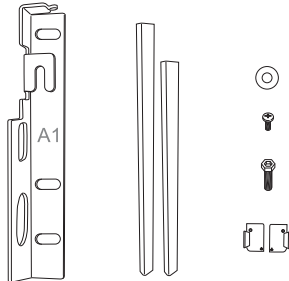
Instructions d'installation

INSTRUCTIONS D'INSTALLATION POUR UNITÉS MULTIPLES (suite)

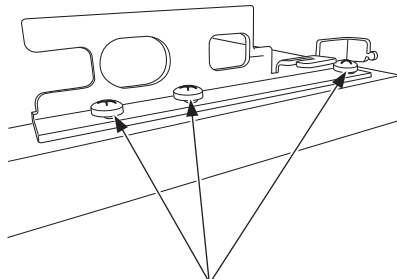
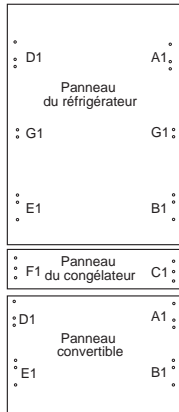
ÉTAPE 17 INSTALLATION DES PANNEAUX DE PORTE ET TIROIR

1. Retirez toute la quincaillerie de porte et de tiroir et la garniture du réfrigérateur.

Article	Quantité
Supports du panneau	12
Vis de mécanique à tête cruciforme (pour panneau en acier inoxydable)	34
Vis à tête six-pans	12
Rondelles	12
Garniture de porte	6
Capuchons pour garniture	12
Clé hexagonale	2



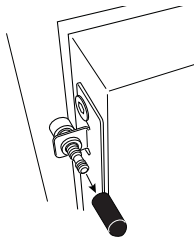
2. Fixez les supports A1 – F1 aux panneaux de porte aux endroits indiqués ci-dessous. Les panneaux sur mesure comportent des trous déjà percés comme montré aux gabarits de panneau de porte : 31-1000149, 31-1000150, 31-1000151, 31-1000152. Si vous avez acheté un panneau en acier inoxydable, utilisez les vis mécaniques à tête cruciforme pour fixer les supports aux panneaux de porte en acier inoxydable. Utilisez des vis à bois appropriées pour les panneaux sur mesure.



Ne serrez pas complètement les vis, car elles seront serrées après la procédure d'assemblage et le réglage de gauche à droite.

Vue arrière des panneaux

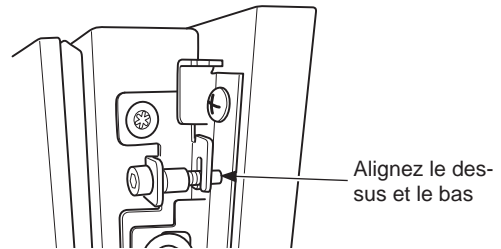
3. Si vous avez des poignées sur mesure et qu'elles ne sont pas déjà installées sur les panneaux, procédez à leur installation.



4. Retirez les capuchons de tiges de réglage installés sur les portes.

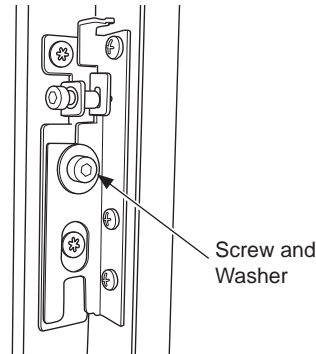
5. Ouvrez la porte du compartiment réfrigérateur pour fixer le panneau du compartiment réfrigérateur.

6. Apposez le panneau du compartiment réfrigérateur sur la porte du compartiment réfrigérateur en alignant les crochets des supports de panneau avec les tiges de réglage de la porte.



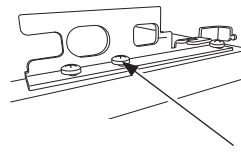
Alignez le dessus et le bas

7. Apposez le panneau du compartiment réfrigérateur sur la porte du compartiment réfrigérateur en alignant les crochets des supports de panneau avec les tiges de réglage de la porte.



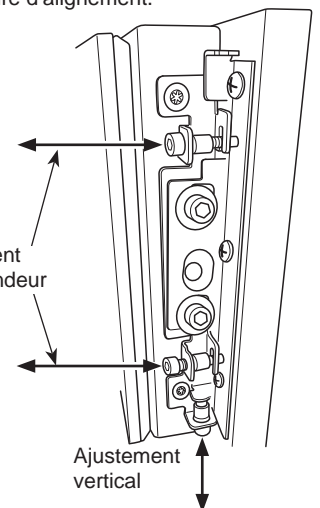
Screw and Washer

8. Déplacez le panneau d'un côté à l'autre pour vous assurer que les espaces de chaque côté du meuble adjacent sont égaux.



Serrez une vis par support. Les autres vis seront serrées après avoir effectué la procédure d'alignement.

9. Utilisez une clé hexagonale pour ajuster la profondeur et la hauteur du panneau de la porte du compartiment réfrigérateur avec le meuble adjacent. Vous devez laisser un espace de profondeur minimum de 3 mm (1/8 po) entre le panneau et le meuble adjacent.



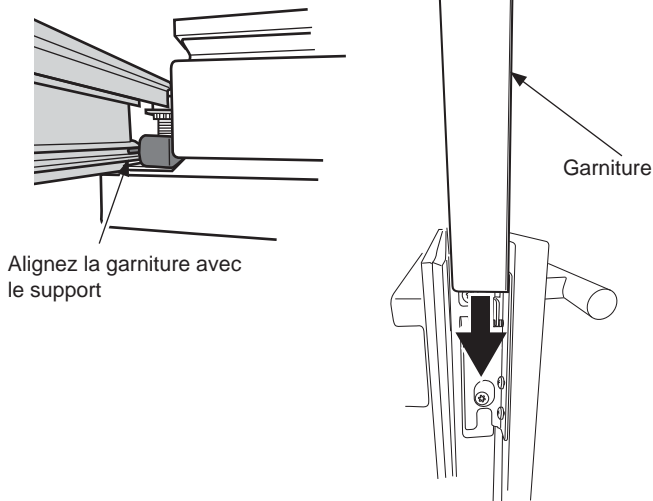
Ajustement vertical

Instructions d'installation

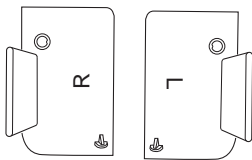
INSTRUCTIONS D'INSTALLATION POUR UNITÉS MULTIPLES (suite)

ÉTAPE 17 INSTALLATION DES PANNEAUX DE PROTE ET DE TIROIR (suite)

10. Répétez les étapes 5 à 9 pour le tiroir du congélateur.
11. Répétez les étapes 5 à 9 pour le tiroir convertible.
12. Serrez toutes les vis une fois que vous êtes satisfait de l'alignement du panneau.
13. Glissez la garniture pour camoufler la quincaillerie d'ajustement du panneau.

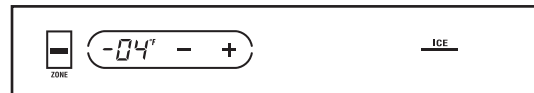


14. Installez les capuchons de la garniture à chaque extrémité de la garniture.

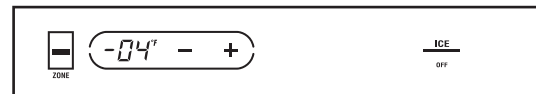


ÉTAPE 18 MISE EN MARCHÉ DE LA MACHINE À GLAÇONS

- Appuyez deux fois sur le voyant ZONE sur le panneau de commande pour sélectionner le tiroir congélateur. Appuyez sur l'icône ICE (glaçon) sur le côté droit des commandes. Une ligne apparaîtra sous ICE (Glaçon) pour indiquer que la machine à glaçons est activée.
- Vérifiez que rien n'interfère avec le déplacement du bras de détection.



- Jetez le premier bac de glaçons.
- Pour arrêter la machine à glaçons, appuyez sur l'icône ICE (glaçon). Le mot OFF (arrêt) apparaîtra sous ICE (Glaçon) pour indiquer que la machine à glaçons est désactivée.



Notes

REMARQUE : Des lunettes de protection doivent être portées lors de la réalisation des installations décrites dans ce manuel.

REMARQUE : L'amélioration des produits fait l'objet d'un effort constant chez Monogram. Par conséquent, le matériel, l'aspect et les caractéristiques des produits sont susceptibles d'être modifiés sans préavis.



MONOGRAM



INSTRUCCIONES DE INSTALACIÓN

**Refrigerador con Freezer Inferior Integrado de 30”
Cava de Vinos con Freezer Inferior Integrado de 30”**

ESPAÑOL.

Información sobre Seguridad

ANTES DE COMENZAR

Lea estas instrucciones en su totalidad y atentamente.

- **IMPORTANTE** – Conserve estas instrucciones para uso del inspector local. Cumpla con todos los códigos y ordenanzas gubernamentales.
- **Nota para el Instalador** – Asegúrese de que el Comprador conserve estas instrucciones.
- **Nota para el Consumidor** – Guarde estas instrucciones con su Manual del Propietario para referencia futura.

Si la unidad que recibió está dañada, se deberá comunicar de inmediato con su vendedor o fabricante.

Nivel de habilidad – La instalación de esta unidad requiere un nivel básico de habilidades mecánicas, de carpintería y plomería. La correcta instalación del producto es responsabilidad del instalador. Si se producen fallas en el producto debido a una instalación inadecuada, la Garantía de Monogram no cubrirá las mismas. Para obtener información sobre la garantía, consulte el Manual del Propietario.

ADVERTENCIA Riesgo de Descarga Eléctrica

Enchufe en un tomacorriente con conexión a tierra de 3 cables.

No elimine el cable de conexión a tierra.

No use un adaptador.

Inmediatamente interrumpa el uso de un cable de suministro de corriente dañado. Si el cable de corriente se encuentra dañado, su reemplazo deberá ser realizado por un profesional calificado del servicio técnico, utilizando una pieza del servicio técnico autorizada por el fabricante.

No use un prolongador con este electrodoméstico. Si no se siguen estas instrucciones, se podrá producir la muerte, incendios o descargas eléctricas.

Siga las instrucciones que figuran en la sección de Conexión de tierra de la unidad.

Este electrodoméstico deberá ser instalado por algún medio en el cableado fijo del hogar o en un disyuntor para desconectar el electrodoméstico del suministro eléctrico luego de la instalación.

ADVERTENCIA Riesgo de Caídas

Estos electrodomésticos son inestables, especialmente cuando una puerta se encuentre abierta, y deben estar asegurados a fin de evitar caídas hacia adelante que podrían resultar en la muerte o en lesiones graves. Lea y siga las instrucciones de instalación en su totalidad para asegurar el electrodoméstico con el sistema anti volcaduras.

ADVERTENCIA Riesgo de Explosión

Mantenga cualquier material y vapores inflamables, tales como gasolina, alejados del electrodoméstico. Si no se cumple con esto, se podrá producir una explosión, incendio o la muerte.

ADVERTENCIA

A fin de reducir el riesgo asociado con descargas, no permita que los niños menores de 3 años de edad tengan acceso a las partes pequeñas durante la instalación de este producto.

PRECAUCIÓN Riesgo al levantar la puerta

Esta unidad es muy pesada. A fin de reducir el riesgo de lesión de una persona al maniobrar e instalar este electrodoméstico, se requiere contar con 2 personas para una correcta instalación.

PRECAUCIÓN

Mantenga los dedos fuera de los espacios de “riesgo de lastimaduras”; los espacios entre las puertas y entre las puertas y el gabinete son necesariamente pequeños. Tenga la precaución de cerrar las puertas cuando los niños se encuentren en el área.

Para acceder al servicio local de Monogram en su área, visite monogram.com o llame al 800.444.1845.

Para acceder al servicio de Monogram en Canadá, visite monogram.ca o llame al 800.561.3344.

Para acceder a Piezas y Accesorios de Monogram, visite monogram.com o llame al 800.444.1845.

Para Piezas y Accesorios de Monogram en Canadá, visite monogram.ca o llame al 800.561.3344.

Información sobre seguridad

⚠️ ADVERTENCIA



PELIGRO DE EXPLOSIÓN Refrigerantes Inflamables

Este electrodoméstico cuenta con refrigerante isobutano, R600a, un gas natural con alto nivel de compatibilidad medioambiental. Sin embargo, también es combustible. Siga las advertencias que figuran a continuación, a fin de reducir el riesgo de lesiones o daños sobre la propiedad.

- 1) Al mover, instalar y operar el electrodoméstico, se deberá tener cuidado de no dañar la tubería del refrigerante.
- 2) El servicio técnico sólo debe ser realizado por personal autorizado del servicio. Use sólo piezas del servicio autorizadas por el fabricante
- 3) Descarte el electrodoméstico de acuerdo con las Regulaciones Federales y Locales. El refrigerante inflamable y el material aislante inflamable usados requieren procedimientos de descarte especiales. Comuníquese con las autoridades locales para descartar su refrigerador de forma ambientalmente segura.
- 4) Mantenga las aberturas de ventilación en el espacio de protección del electrodoméstico o en la estructura incorporada libres de obstrucción.
- 5) No use dispositivos mecánicos u otros medios para acelerar el proceso de descongelamiento.
- 6) No dañe el circuito del refrigerante.
- 7) No use dispositivos eléctricos dentro del compartimiento de almacenamiento de comida del electrodoméstico.

Contenidos

Guía de Diseño

Dimensiones del Espacio de Protección del Gabinete para Instrucciones Completamente Integradas	4
Dimensiones de la Unidad con Paneles de 3/4"	5
Dimensiones del Espacio de Protección para Unidades Individuales y Múltiples	6
El Espacio de Instalación (por unidad)	7
Conexión a Tierra de la Unidad	7
Balaceo de puerta de 115°	8
Balaceo de puerta de 90°	9
Accesorio y Dimensiones del Panel SS	10
Dimensiones del Panel a Medida de 3/4" (1.9 cm)	11

Instrucciones de Instalación para la Unidad Individual

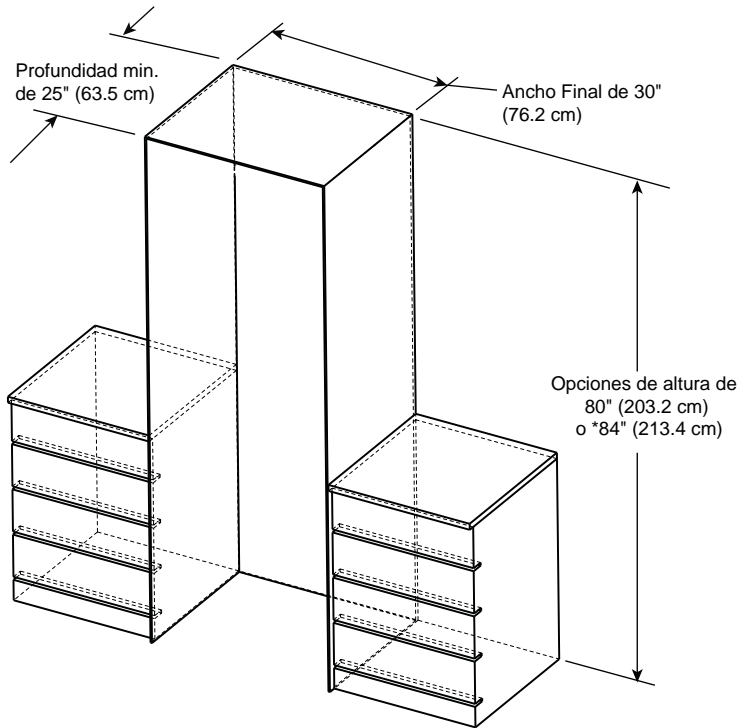
Herramientas, Equipo, Materiales	12
Paso 1. Retire el Embalaje	13
Paso 2. Instale el Soporte Anti volcadura	14
Paso 3, Conecte el Suministro de Agua	14
Paso 4. Conecte la Corriente	14
Paso 5. Deslice la Unidad en el Espacio de Protección	15
Paso 6. Retire el Tope de Pie y la Ventilación	15
Paso 7. Nivele la Unidad	15
Paso 8. Retire el Tope de Pie y la Ventilación	16
Paso 9. Invierta el Balaceo de Puerta	16
Paso 10. Ajuste el Balaceo de Puerta	17
Paso 11. Instale las Tapas del Soporte de la Puerta	17
Paso 12. Instale Los Paneles de la Puerta y del Cajón	18
Paso 13. Encienda la Máquina de Hielo	19

Instrucciones de Instalación para la Unidades Múltiples

Herramientas, Equipo, Materiales	20
Paso 1. Retire el Embalaje	21
Paso 2. Instale el Kit(s) de Unificación del Calefactor a la Unidad 2	22
Paso 3. Invierta el Balaceo de Puerta (Unidad 1)	24
Paso 4. Ajuste el Balaceo de Puerta (Unidad 1)	26
Paso 5. Instale las Tapas del Soporte de la Puerta (Unidad 1)	26
Paso 6. Instale Otras Unidades	26
Paso 7. Nivele las Unidades	26
Paso 8. Instale los Soportes Antivolcaduras	27
Paso 9. Conecte el Suministro de Agua	27
Paso 10. Conecte la Corriente	27
Paso 11. Deslice la Unidad en los Espacios de Protección	28
Paso 12. Instale el Protector de la Bisagra	28
Paso 13. Conecte el Calefactor	28
Paso 14. Nivele las Unidades	29
Paso 15. Instale el Tope de Pie y la Ventilación	30
Paso 16. Instale el Marco Frontal	30
Paso 17. Instale Los Paneles de la Puerta y del Cajón	31
Paso 18. Encienda la Máquina de Hielo	32

Guía de Diseño (Una Unidad)

Dimensiones del Espacio de Protección del Gabinete para Instrucciones Completamente Integradas



La profundidad del disyuntor deberá ser de 25" para instalaciones al mismo nivel.

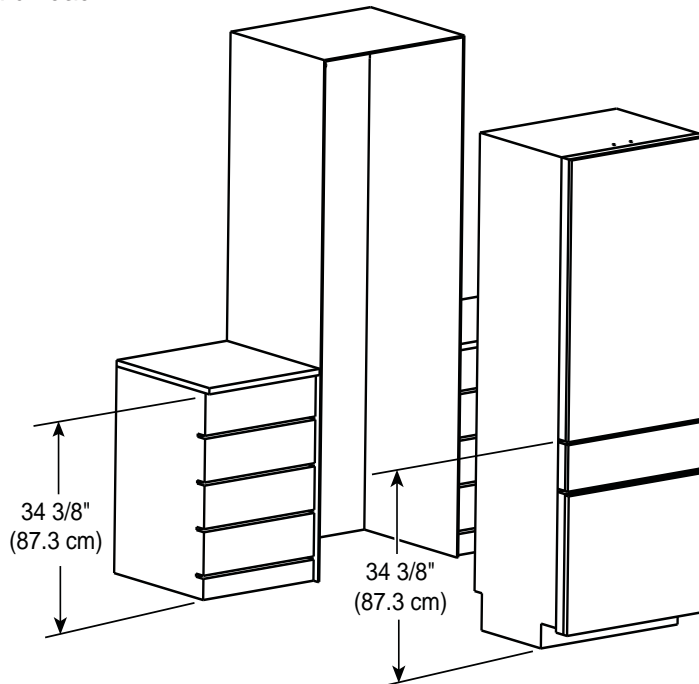
- La cara frontal del refrigerador se encuentra al mismo nivel que los gabinetes adyacentes de 25" (63.5 cm) de profundidad.
- La unidad podrá calzar bien en un espacio de protección con una altura mínima de 80" (203.2 cm) y con una altura máxima de 84" (213.4). La unidad sólo se podrá elevar a 80 3/8" (204.2 cm).
- Se podrá construir el panel de la puerta del refrigerador para llenar la altura adicional; consulte las secciones del Panel de Acero Inoxidable o Personalizado.



Consejo de Diseño: Recomendamos finalizar la superficie interior del espacio de protección a por lo menos 4" (10.2 cm) de la cara frontal.



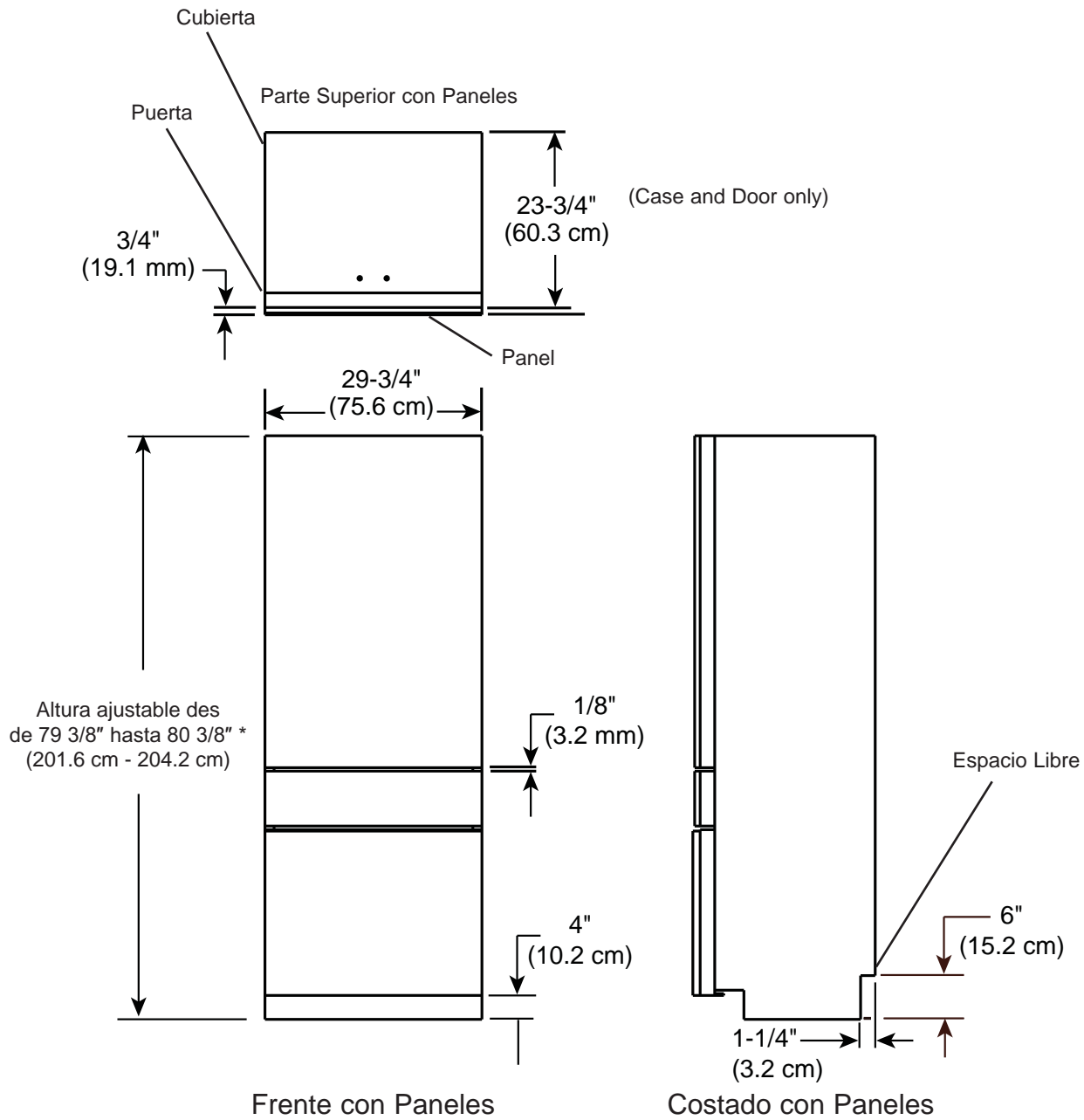
Consejo de Diseño: Si se usará un espacio de protección de 84" (213.4 cm), se recomienda agregar una valencia final sobre el cuerpo de la unidad.



Consejo de Diseño: Es posible alinear el cajón de la unidad con gabinetes adyacentes para una apariencia completamente integrada.

Guía de Diseño (Una Unidad)

Dimensiones del Refrigerador con Paneles de 3/4"



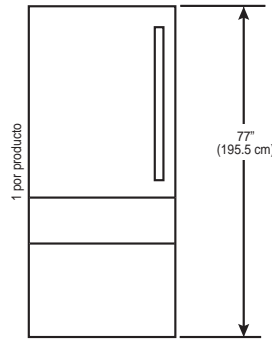
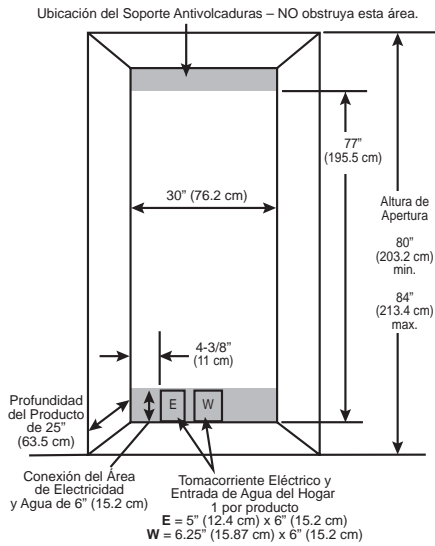
* La unidad se podrá ajustar para que calce en un espacio de gabinete 83-3/8" (211.8 cm) to 84-3/8" (214.3 cm) con el kit del panel de la puerta adecuado.

Instalación en Espacio Libre		
Parte Superior 1/8" / 3mm	Cada Lado 1/4" / 6mm	Parte Trasera 1/2" / 12mm

Guía de Diseño

Dimensiones del Espacio de Protección para Unidades Individuales y Múltiples

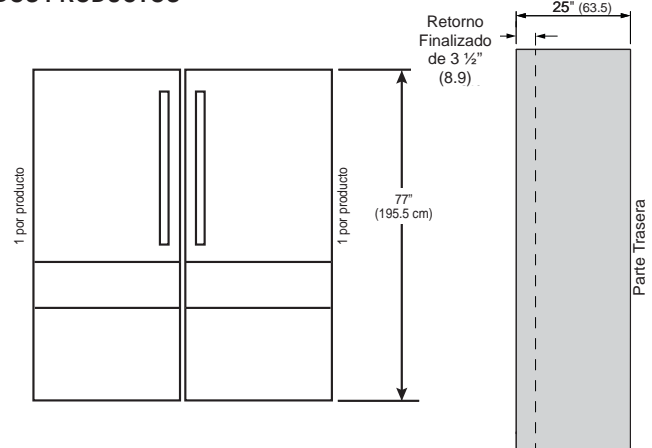
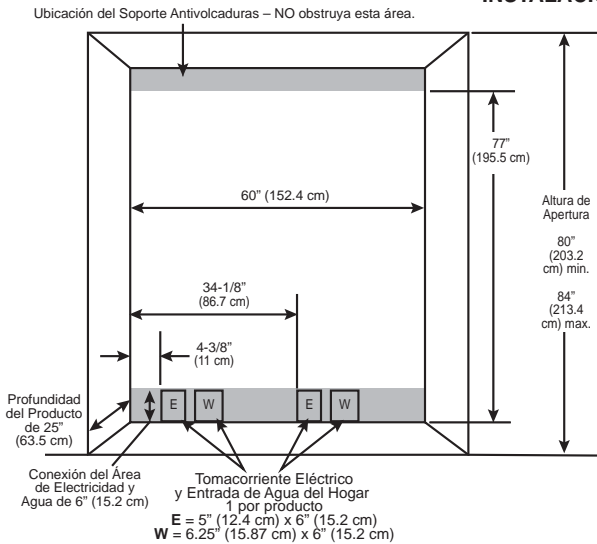
INSTALACIÓN DE UN PRODUCTO



NOTAS:

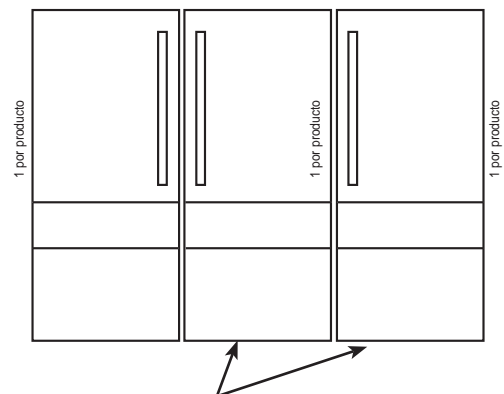
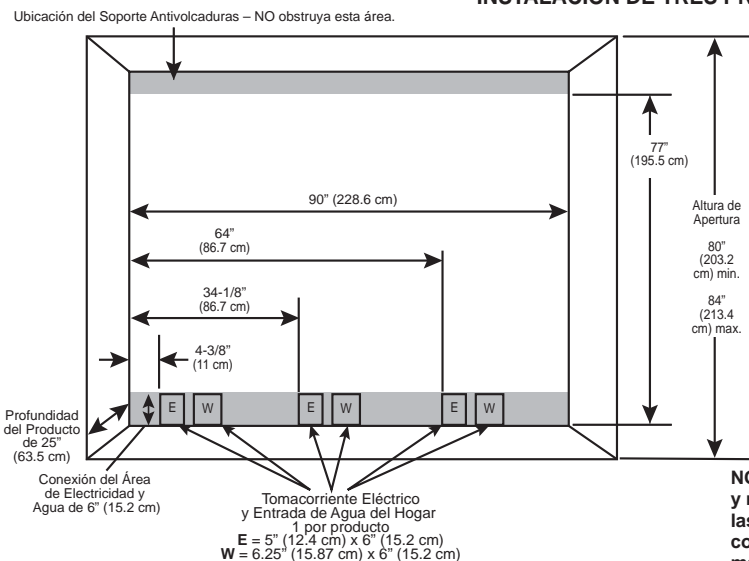
- Cuando dos o más unidades sean instaladas una al lado de la otra, se deberá aplicar un calefactor exterior a la pared exterior izquierda de la segunda y/o tercera unidad. Consulte el Kit de Unificación del Calefactor Exterior
- La dimensión del tope de pie es de 4" (10.2 cm) desde el piso.
- El producto puede caber en un mínimo de 79 1/2" (201.9 cm) y en un espacio de protección alto de un máximo de 84 1/2" (214.6 cm).
- La unidad sólo se podrá elevar a 80 3/8" (204.2 cm).
- Se podrá construir el panel de la puerta de la unidad para llenar la altura adicional. Consulte la sección de ajuste de la puerta.

INSTALACIÓN DE DOS PRODUCTOS



VISTA LATERAL

INSTALACIÓN DE TRES PRODUCTOS



NOTA: Las configuraciones en unidades con instalación de bisagra y manija producirán interferencia al abrir las puertas. A fin de que las tres puertas se puedan abrir de forma independiente, se deberá contar con espacio adicional entre las unidades con bisagra y manija, y la puerta intermedia se deberá configurar con una apertura de 90 grados.

Guía de Diseño (Una, Dos o Tres Unidades)

EL ESPACIO DE INSTALACIÓN (Por Unidad)

Ubicaciones de Agua y Electricidad

Ubique las conexiones eléctricas y de suministro de agua en las áreas que se muestran en la página de la sección de Dimensiones de Gabinetes.

⚠ ADVERTENCIA Realice la conexión a un suministro de agua potable únicamente.

PREPARACIÓN PARA INSTALAR EL SUMINISTRO DE AGUA

- Se requiere un suministro de agua fría para el funcionamiento de la máquina de hielo automática. La presión del agua deberá estar entre 40 y 120 p.s.i. (275-827 kPa).
- Haga circular una tubería de cobre de 1/4" OD o tubería de plástico SmartConnect™ entre el suministro de agua fría de la casa y la ubicación de la conexión de agua.
- La tubería deberá ser de una extensión suficiente como para llegar hasta el frente del refrigerador. Deje una cantidad de tubería suficiente para realizar una inclinación que llegue hasta la conexión del suministro de agua.
- El suministro de agua puede ingresar a una abertura a través del piso o la pared trasera.
- Instale una válvula de cierre entre la válvula de agua de la máquina de hacer hielo y el suministro de agua fría en el hogar.

NOTA:

- Se recomienda que la válvula de cierre de agua se encuentre en una ubicación de fácil acceso. No es aconsejable ubicarla detrás de la unidad debido a dificultades de acceso. Si es necesario instalar la válvula detrás de la unidad, deberá ser ubicada en un área con sombra.
- Muchos kits de suministro de agua incluyen válvulas de cierre tipo montura, pero no se recomiendan para esta aplicación.
- La única tubería aprobada por GEA es suministrada en los Kits de Tuberías para Refrigerador de SmartConnect™. No use ningún otro suministro de agua plástico, ya que el suministro se encuentra bajo presión en todo momento. Otros tipos de plásticos podrán sufrir fisuras o rompeduras con el paso del tiempo y ocasionar problemas con el agua en su hogar. Consulte los kits de tuberías de agua en la página de Accesorios.
- Commonwealth of Massachusetts Plumbing Codes 248CMR shall be adhered to. Saddle valves are illegal and use is not permitted in Massachusetts. Consult with your licensed plumber.

Especificaciones Eléctricas

- Se requiere un suministro de corriente de 115 voltios, 60-Hz., 15 o 20 amperes. Se recomienda el uso de un circuito individual derivado o un disyuntor correctamente conectado a tierra.
- Instale un receptáculo eléctrico de 3 patas correctamente conectado a tierra en la pared trasera. La conexión eléctrica deberá estar ubicada en la pared trasera, como se muestra en la sección de Dimensiones de Gabinetes.

NOTA: No se recomienda el uso de un Interruptor de Falla de Tierra (GFI).

CONEXIÓN A TIERRA DE LA UNIDAD

⚠ ADVERTENCIA  **Riesgo de Descarga Si no se siguen estas instrucciones, se podrá producir la muerte, incendios o descargas eléctricas.**

El cable de corriente de este electrodoméstico cuenta con un enchufe de 3 cables (conexión a tierra) que se conecta a un tomacorriente de pared estándar de 3 cables (conexión a tierra) para minimizar el riesgo de posibles descargas eléctricas por parte del mismo.

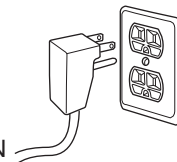
Contrate a un electricista calificado para que controle el tomacorriente y el circuito eléctrico para asegurar que el enchufe esté correctamente conectado a tierra.

En caso de contar con un toma corriente de pared de 2 cables, es su responsabilidad y obligación reemplazarlo por un toma corriente de pared de 3 cables correctamente conectado a tierra.

NUNCA, BAJO NINGUNA CIRCUNSTANCIA, CORTE NI ELIMINE EL TERCER CABLE (TIERRA) DEL CABLE DE CORRIENTE.

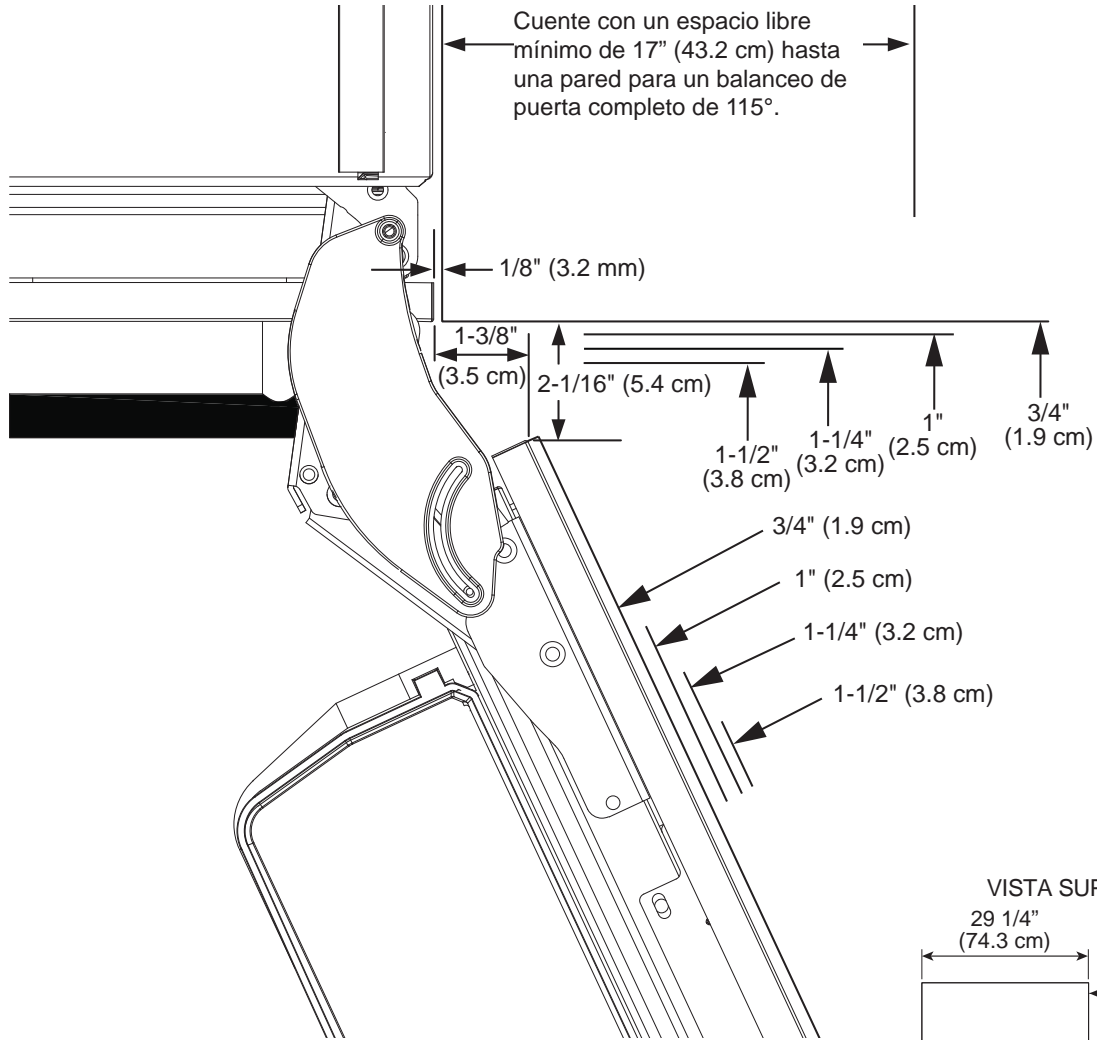
NO USE UN ENCHUFE ADAPTADOR PARA CONECTAR EL REFRIGERADOR A UN TOMACORRIENTE DE 2 PATAS.

NO USE UN PROLONGADOR CON ESTE ELECTRODOMÉSTICO.

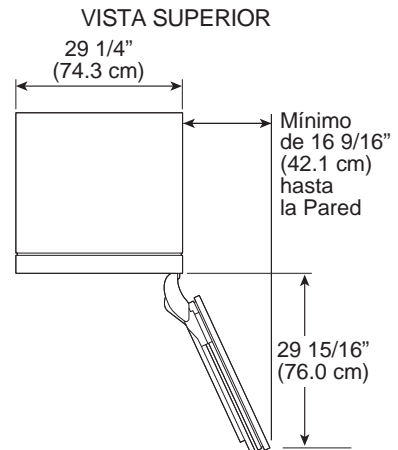


Guía de Diseño (Una, Dos o Tres Unidades)

Vista Superior de los Paneles Acero Inoxidable o A Medida GIRO DE PUERTA DE 115° (original de fábrica)



Non à l'échelle



APERTURA DE PUERTA DE 115°
DIMENSIONES BASADAS
EN LA ALTURA DE LA MANIJA
DE 2 9/16" (6.5 cm)

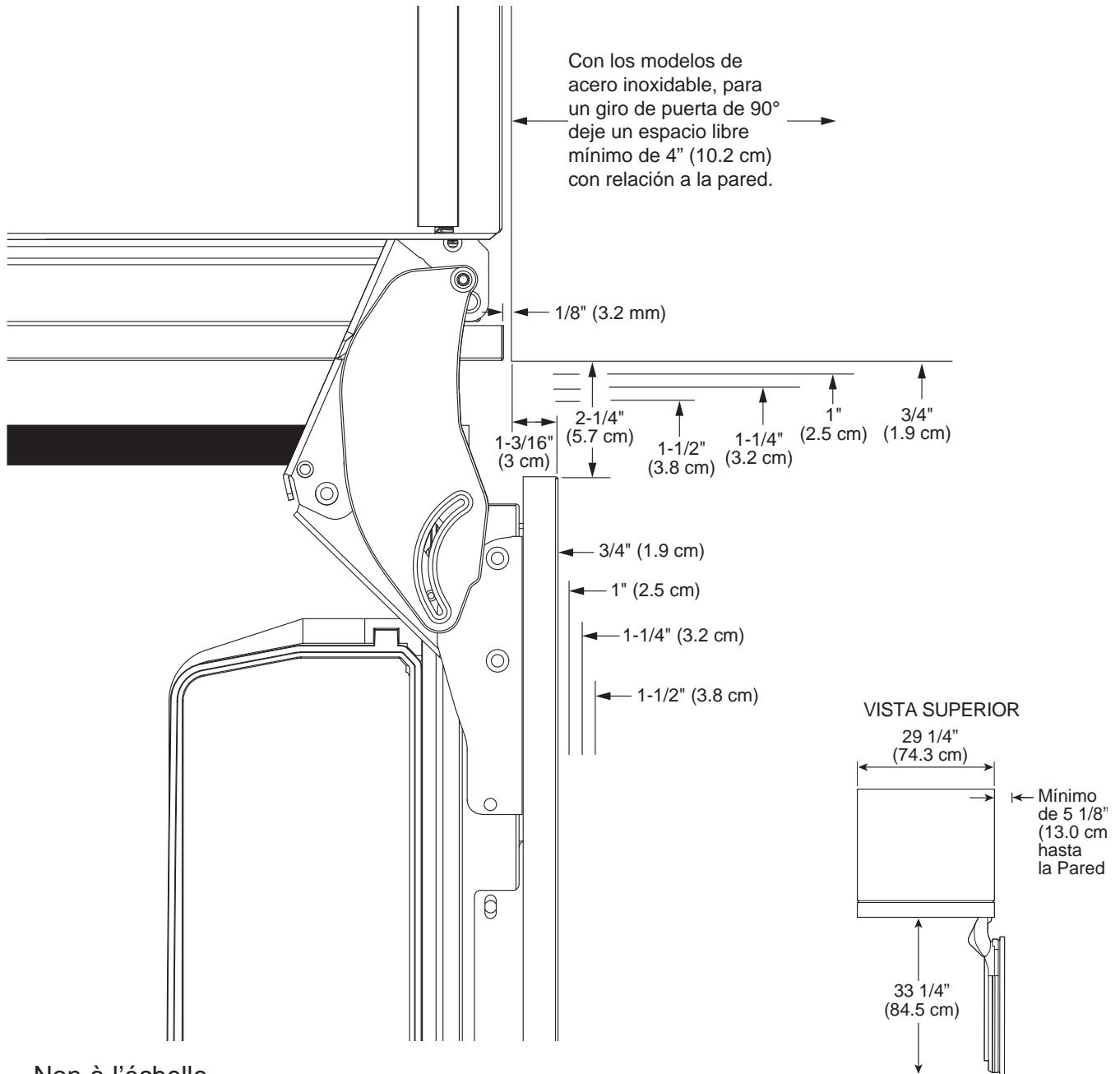
Espacios Libres del Producto

Estos refrigeradores están equipados con un dispositivo de detención de la puerta de 2 posiciones. El giro de la puerta de 115° original de fábrica se podrá ajustar a 90° si el espacio libre hasta los gabinetes adyacentes o paredes es restringido.

Para un giro de puerta de 90°, consulte la siguiente página.

Guía de Diseño (Una, Dos o Tres Unidades)

Acier inoxydable ou sur mesure
 Coupe horizontale OUVERTURE DE
 PORTE À 90°(réglages en option)



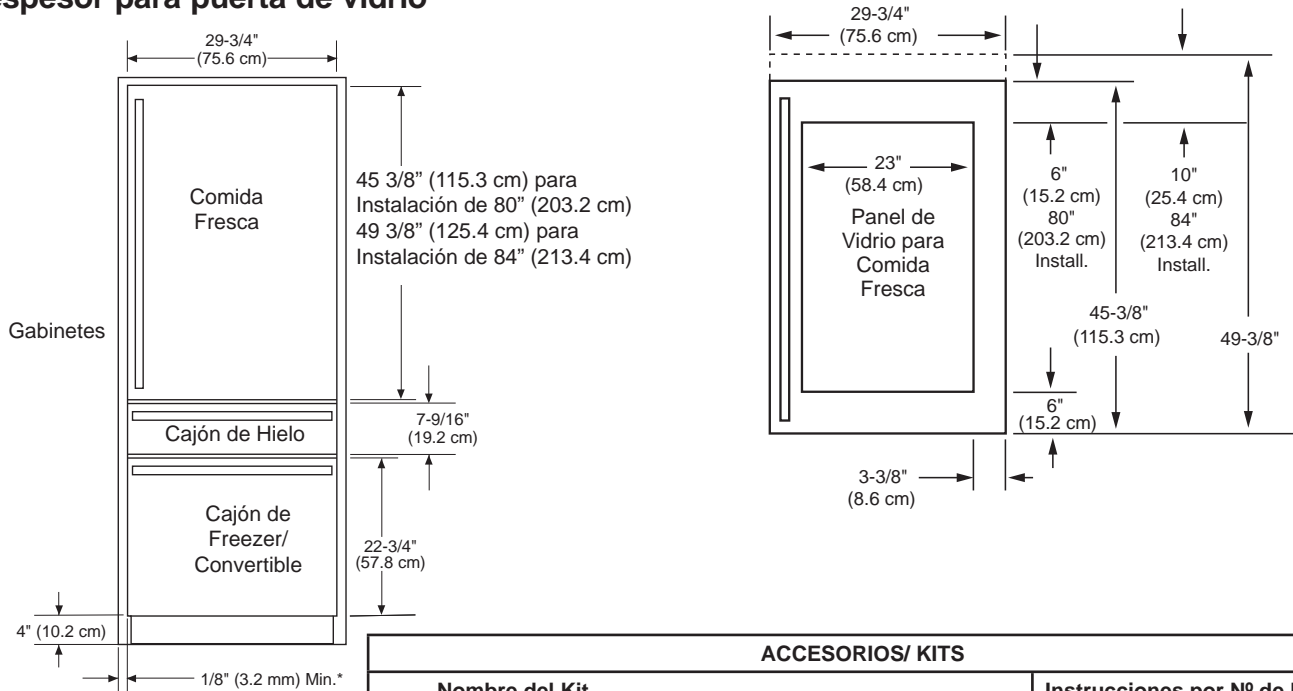
Non à l'échelle

APERTURA DE PUERTA DE 90°
 DIMENSIONES BASADAS
 EN LA ALTURA DE LA MANIJA
 DE 2 9/16" (6.5 cm)

Guía de Diseño (Una, Dos o Tres Unidades)

ACCESORIO Y DIMENSIONES DEL PANEL SS

3/4 " (1,9 cm) - Opciones de panel de puerta maciza de espesor y 3/4 " (1,9 cm) - Marco de espesor para puerta de vidrio



ACCESORIOS/ KITS			
Nombre del Kit			Instrucciones por N° de Prod.
Kit de Unificación del Calefactor			ZUG30
Tubería de Agua de 8' (2.5m)			WX08X10006
Tubería de Agua de 15' (4.6 m)			WX08X10015
Tubería de Agua de 25' (7.6 m)			WX08X10025
Kits Completos de Puertas y Cajones de Acero Inoxidable (Ordene un Producto Completo) NOTA: Cada kit también cuenta con una puerta superior compatible, paneles para cajones de freezer y a medida, y tope de pie.			
ATRIBUTOS/ REQUISITOS DEL KIT COMPLETO DE PUERTAS Y CAJONES			
Tipo de Puerta Frontal:	Altura de la Puerta	Izquierda o Derecha	Instrucciones por N° de Prod.
Vidrio	80"	Izquierda	ZKGSN809NLH
Vidrio	80"	Derecha	ZKGSN804NRH
Vidrio	84"	Izquierda	ZKGSN849NLH
Vidrio	84"	Derecha	ZKGSN844NRH
Sólido	80"	Izquierda	ZKSSN809NLH
Sólido	80"	Derecha	ZKSSN804NRH
Sólido	84"	Izquierda	ZKSSN849NLH
Sólido	84"	Derecha	ZKSSN844NRH
Manijas y Montajes			Instrucciones por N° de Prod.
Kit Completo de Manija Minimalista			ZKGC3H3CNSS
Manija de Puerta Minimalista			WR12X32600
Manija Minimalista (Cajón)			WR12X32406
Kit Completo de Manija Statement			ZKGC3H3PNSS
Manija de Puerta Statement			WR1232571
Manija de Freezer Statement			WR12X32599
Kit de Perno de Manija del Panel Personalizado			ZKPN

Guía de Diseño (Una, Dos o Tres Unidades)

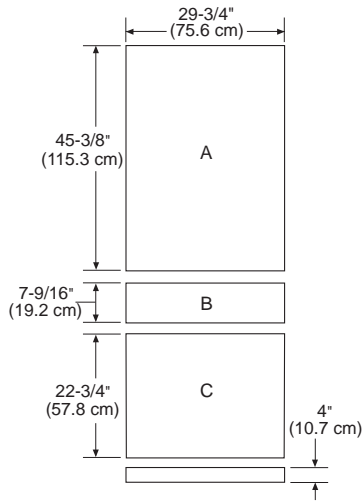
DIMENSIONES DEL PANEL A MEDIDA DE 3/4" (1.9 cm): Instalación Totalmente Integrada a una Altura de 80" (203.2 cm)

Si decide instalar paneles a medida, se deberán cortar en las dimensiones que se muestran. Los paneles serán añadidos a la puerta y cajones, usando un sistema de ganchos y soportes.

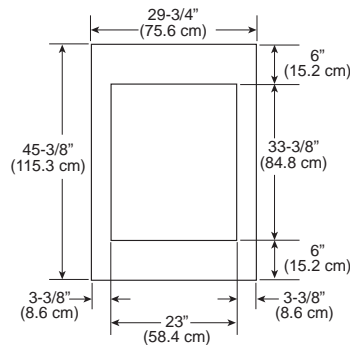
MUY IMPORTANTE: Los paneles de madera debe ser de al menos 3/4" de espesor en los ganchos y soporte de hardware se adjuntan Consulte a las plantillas de gancho y ubicación de los soportes.

NOTA: Este producto fue diseñado para sostener paneles de 3/4" (1.9 cm) contruidos en madera. 33-3/8" x 23" (84.8 x 58.4 cm) es la abertura máxima para una ventana de vidrio. La abertura podrá ser más pequeña si así se desea.

PANELES PARA PUERTA Y VENTANAS SÓLIDAS



PANELES PARA PUERTA DE VIDRIO



NOTA IMPORTANTE: Peso máximo del panel:

A Panel de la Puerta para Alimentos

Frescos: 33 libras.

B Panel para Cajón del Freezer: 9 libras

C Panel del Cajón Convertible: 19 libras

*Los estilos deberán ser como mínimo de 3-3/8" (8.6 cm) para cubrir la estructura de la puerta de aluminio



Consejo de Diseño: Cierta cantidad de cada panel será visible en el lado interior de la unidad. Se recomienda que ambos lados de cada panel sean finalizados.



Consejo de Diseño: Si usará paneles a medida, se recomienda usar un tope de pie a medida. La parte inferior del cuerpo es blanca.

DIMENSIONES DEL PANEL A MEDIDA DE 3/4" (1.9 cm): Instalación Totalmente Integrada a una Altura de 84" (213.4 cm)

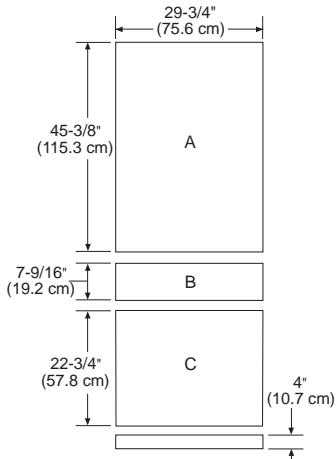
Si decide instalar paneles a medida, se deberán cortar en las dimensiones que se muestran. Los paneles serán añadidos a la puerta y cajones, usando un sistema de ganchos y soportes.

MUY IMPORTANTE: Los paneles de madera debe ser de al menos 3/4" de espesor en los ganchos y soporte de hardware se adjuntan Consulte a las plantillas de gancho y ubicación de los soportes.

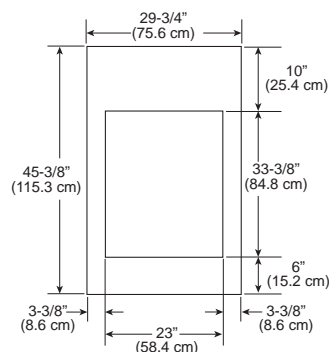
NOTA: Este producto fue diseñado para sostener paneles de 3/4" (1.9 cm) contruidos en madera.

33-3/8" x 23" (84.8 x 58.4 cm) es la abertura máxima para una ventana de vidrio. La abertura podrá ser más pequeña si así se desea.

PANELES PARA PUERTA Y VENTANAS SÓLIDAS



PANELES PARA PUERTA DE VIDRIO



NOTA IMPORTANTE: Peso máximo del panel:

A Panel de la Puerta para Alimentos Frescos:

33 libras.

B Panel del Cajón del Freezer: 9 libras.

C Panel del Cajón Convertible: 19 libras.

*Los estilos deberán ser como mínimo de 3-3/8" (8.6 cm) para cubrir la estructura de la puerta de aluminio



Consejo de Diseño: Cierta cantidad de cada panel será visible en el lado interior de la unidad. Se recomienda que ambos lados de cada panel sean finalizados.



Consejo de Diseño: Si usará paneles a medida, se recomienda usar un tope de pie a medida. La parte inferior del cuerpo es blanca.

Instrucciones de Instalación

INSTRUCCIONES DE INSTALACIÓN PARA LA UNIDAD INDIVIDUAL

HERRAMIENTAS REQUERIDAS

- Llave Allen de 5/32"
- Cuchillo multiuso
- Escalera de dos hojas
- Balde
- Nivel
- Carro manual para electrodomésticos
- Cortador de tubos
- Llave de tuercas de 7/16"
- Llave de tuercas de 1 5/14"
- Destornillador Phillips nº2
- Kit de taladro y broca
- Enchufe de 5/16"
- Gafas de seguridad
- Pinzas
- Trinquete de 3/8"
- Torx T-20, T-30 Llave

MATERIALES SUMINISTRADOS

- Soporte anti-volcaduras y tornillos
- Kit de instalación de panel
- Plantillas para el panel de la puerta- Pub nº 31-1000149, 31-1000150, 31-1000151, 31-1000152
- Filtro de agua – Parte nº XWFE
- Anclajes para Paredes de Yeso y tornillos

MATERIALES REQUERIDOS

- Tubería de suministro de agua de cobre o de SmartConnect™ de 1/4". Kits de tubería del refrigerador
- Válvula de cierre de agua
 - Paneles a medida de la puerta para alimentos frescos, cajón del freezer y cajón Convertible
 - Velcro con adhesivo si se usa un tope de pie a medida.

PISO

Para una instalación correcta, el refrigerador se deberá ubicar en una superficie nivelada de material duro que posea la misma altura en el resto del piso. Esta superficie deberá ser lo suficientemente fuerte como para resistir el peso de un refrigerador totalmente cargado o aproximadamente 1.200 libras (140 kg.).

NOTA: Proteja el acabado del piso. Corte una sección amplia de cartón y coloque la misma debajo del refrigerador donde se encuentra trabajando.

UBICACIÓN DE LA UNIDAD

- No instale la unidad en lugares donde la temperatura llegue a ser inferior a los 60°F (16°C)..Ésta no funcionará con la frecuencia suficiente como para mantener las temperaturas apropiadas.
- No instale la unidad en lugares donde la temperatura sea superior a los 100°F (37°C). Ésta no funcionará correctamente.
- No instale la unidad en una ubicación expuesta al agua (lluvia, etc.) o en contacto directo con la luz solar.
- No instale la unidad en un piso que no sea lo suficientemente fuerte como para soportarla completamente cargada.

Instrucciones de Instalación

INSTRUCCIONES DE INSTALACIÓN PARA LA UNIDAD INDIVIDUAL (cont.)

PASO 1 RETIRE EL EMBALAJE

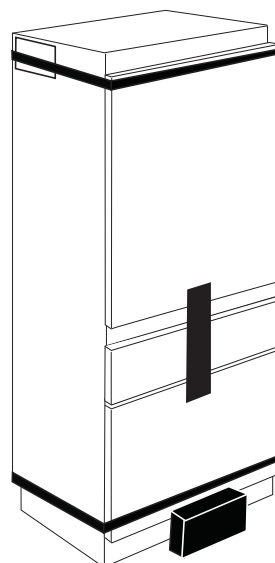
⚠ ADVERTENCIA



Riesgo de Caída.

Este electrodoméstico es inestable. Tenga extremo cuidado al mover lo, a fin de evitar caídas hacia adelante que podrían resultar en la muerte o lesiones graves.

- Recorte las bandas y cintas de la parte superior e inferior del embalaje con un cuchillo multiuso.
- Despliegue las juntas del cartón y retire la parte superior del embalaje.
- Deslice el resto de la caja fuera del electrodoméstico. Puede usar una cuchilla para cortar el resto del cartón con MUCHO CUIDADO de no rayar el electrodoméstico.
- Retire los planchas de poliestireno que se encuentran alrededor de la unidad.
- NO retire la banda de la puerta ni las piezas inferiores con bandas de poliestireno hasta que la unidad esté preparada para ser trasladada al espacio de protección.
- Retire el soporte antivolcaduras y la protección de gomaespuma de la parte superior de la unidad y deje los mismos a un costado para realizar la instalación más tarde.
- Mantenga la banda de la puerta frontal y la cinta de la puerta/cajón sobre la unidad hasta que el producto se encuentre instalado sobre el soporte antivolcaduras.
- Retire las piezas del marco encintadas sobre el frente del producto y deje las mismas a un costado para utilizarlas más tarde en la instalación.
- Retire toda la cinta de embalaje excepto la cinta de la puerta/cajón frontal y la cinta con advertencias y etiquetas anaranjadas.
- Despegue, pero NO RETIRE, la cinta de la puerta/cajón.
- Abra el cajón intermedio y retire el paquete del Manual del Propietario, que incluye las instrucciones de instalación de la unidad.
- Cierre el cajón intermedio y vuelva a colocar la cinta para mantener la puerta y el cajón intermedio cerrados hasta que el producto sea instalado sobre el soporte antivolcaduras.
- Recorte los deslizantes de las planchas de poliestireno sobre los costados, cerca del frente desde la parte trasera de la unidad.
- Empuje la unidad hacia adelante y retire la parte trasera del deslizante de EPS.
- De forma cuidadosa apoye la parte trasera en el piso.
- Incline la unidad hacia atrás de forma suave y retire la parte frontal del deslizante de EPS.
- Descarte todos los materiales de embalaje sin uso de forma adecuada.
- La unidad ya puede ser trasladada usando un carro manual para electrodomésticos o girada sobre un piso adecuadamente protegido por 2 personas.
- Deje cualquier película protectora sobre la unidad hasta que la instalación sea completada.



Instrucciones de Instalación

INSTRUCCIONES DE INSTALACIÓN PARA LA UNIDAD INDIVIDUAL (cont.)

⚠ ADVERTENCIA

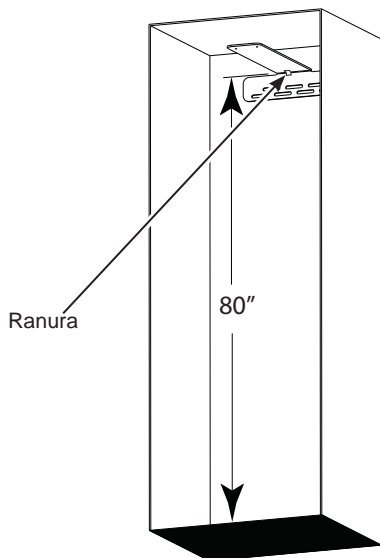


Riesgo de Caídas .

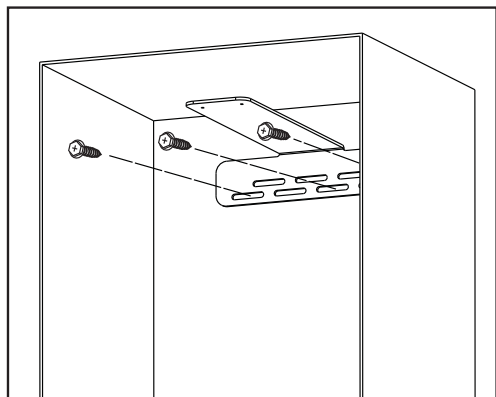
Estos electrodomésticos son inestables, especialmente cuando una puerta se encuentre abierta, y deben estar asegurados a fin de evitar caídas hacia adelante que podrían resultar en la muerte o en lesiones graves. Lea y siga las instrucciones de instalación en su totalidad para asegurar el electrodoméstico con el sistema antivolcaduras.

PASO 2 INSTALE EL SOPORTE ANTI-VOLCADURAS

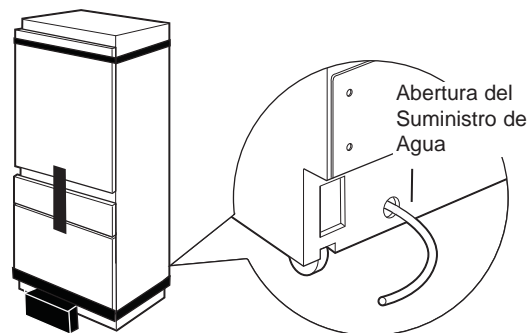
- La Cara Superior Interna del soporte se debería instalar a 80". La "Ranura" del soporte se deberá colocar en el centro del espacio de instalación (Típicamente a 15").
- Marque (dentro de las ranuras, ubicación) las posiciones del montaje y el anclaje en los soportes.



- Asegure el soporte usando una combinación de montajes y anclajes.
- Se deberá colocar por lo menos 1 montaje. Sin embargo, se requiere colocar tantos montajes como sea posible dentro del espacio de protección. Para una instalación adecuada, se deberán usar por lo menos tres sujetadores.



PASO 3 CONECTAR LA LÍNEA DE AGUA



⚠ ADVERTENCIA

Realice la conexión a un suministro de agua potable únicamente.

- Posicione el electrodoméstico frente al espacio de protección.
- Encuentre y traiga la tubería al frente del gabinete.
- Abra y deje correr el agua a fin de eliminar desechos del suministro. Deje correr alrededor de un cuarto de galón de agua por la tubería a un balde; luego cierre el suministro de agua.

De ser necesario, corte la tubería a fin de darle la longitud necesaria de modo que se pueda añadir a la válvula de agua.

Tubería de Cobre:

- Coloque una tuerca de 1/4" y una abrazadera de refuerzo sobre ambos extremos de la tubería de cobre. Inserte la tubería en la unión con la unidad y ajuste la tuerca a la unión.
- Abra el suministro de agua para controlar que no haya pérdidas.

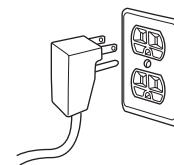
Tubería de SmartConnect™:

- Siga las instrucciones provistas con la tubería. Ajustar en exceso podrá ocasionar pérdidas. Abra el suministro de agua para controlar que no haya pérdidas.

Nota: Enrolle la longitud de tubería restante detrás de la unidad.

PASO 4 CONECTE LA CORRIENTE

- Enchufe el cable de corriente en el tomacorriente.
- Asegúrese de que haya corriente en el refrigerador, abriendo el cajón de hielo (la puerta FF se cerrará con una banda) para ver si las luces interiores están encendidas.
- Los controles de temperatura estarán programados a 37° F para la sección de alimentos frescos y a 0°F tanto en el cajón del freezer como en el cajón adaptable.
- Permita que se establezca durante 24 horas antes de realizar ajustes.

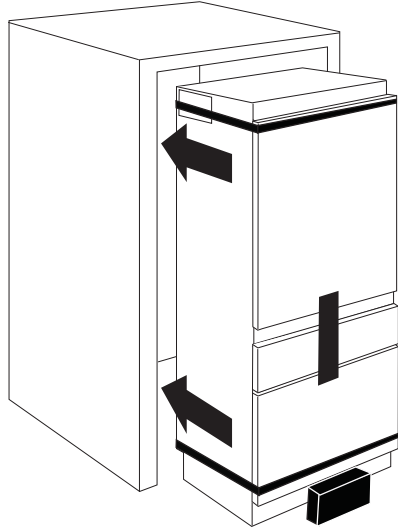


Instrucciones de Instalación

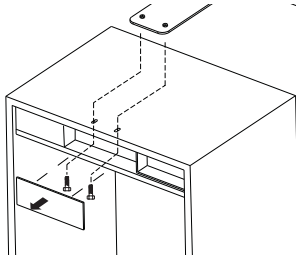
INSTRUCCIONES DE INSTALACIÓN PARA LA UNIDAD INDIVIDUAL (cont.)

PASO 5 DESLICE LA UNIDAD HASTA EL ESPACIO DE PROTECCIÓN

Lleve la unidad hasta el espacio de protección, evitando retorcer la tubería de suministro de agua y el cable de corriente.



- Es posible que se requiera una barra larga y plana o una regla para medir yardas, a fin de guiar el extremo del frente del soporte anti-volcaduras sobre la unidad.
- Si el espacio lo permite, también puede inclinar el extremo frontal del soporte un poco hacia arriba, permitiendo que esto despeje la parte trasera de la unidad.

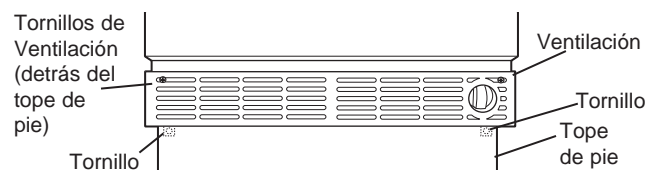


- Retire de la unidad la cubierta central superior de los componentes.
- Asegure la unidad al soporte anti-volcaduras, usando tornillos de máquina y arandelas para colocar las inserciones roscadas en el soporte anti-volcaduras
- Enrosque a mano los tornillos hasta que la unidad se encuentre en la ubicación deseada dentro del espacio de instalación.
- Finalice la instalación de la unidad ajustando los tornillos completamente.
- Vuelva a instalar la cubierta de los componentes.

PASO 6 RETIRE EL TOPE DE PIE Y LA VENTILACIÓN

El zócalo debe ser removido para acceder a la nivelación legstyle

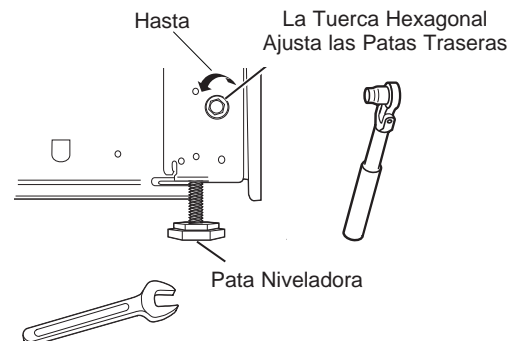
- Retire la parte sólida del tope de pie empujando hacia adelante.
- Coloque el tope de pie, la ventilación y los tornillos a un costado, de modo que cuente con los mismos para volver a realizar la instalación.
- Deje correr agua por la tubería a través de toda la unidad, hasta que salga del frente de la unidad.
- Sujete con cinta adhesiva en el piso hasta que la unidad haya sido empujada hasta el espacio de resguardo.



PASO 7 NIVELE LA UNIDAD

Todos los modelos cuentan con 4 puntos de nivelación. La parte frontal está apoyada sobre patas niveladoras; la parte trasera está apoyada sobre ruedas ajustables. Es posible acceder a ambas desde la parte frontal del refrigerador.

- A fin de nivelar la parte trasera del refrigerador, gire la tuerca hexagonal de 5/16" que se encuentra ubicada sobre las ruedas frontales. Gire en contra de las agujas del reloj para levantar o a favor de las agujas del reloj para bajar el refrigerador.
- Para nivelar la parte frontal, use una llave de tuercas de 1-5/16".
- Ajuste la altura de la unidad para que coincida con la abertura del espacio libre de la instalación. La unidad deberá estar nivelada de forma vertical entre los muebles de cocina.



NOTIFICACIÓN: Las patas niveladoras traseras y frontales cuentan con un límite de ajuste de altura máxima de 1". Si en la instalación se requiere una altura superior a 84-1/2", el instalador deberá elevar el refrigerador sobre una lámina de contrachapado o tirantes. También se podrá agregar un ajuste a los gabinetes sobre la parte superior de la abertura, a fin de acortar esta última.

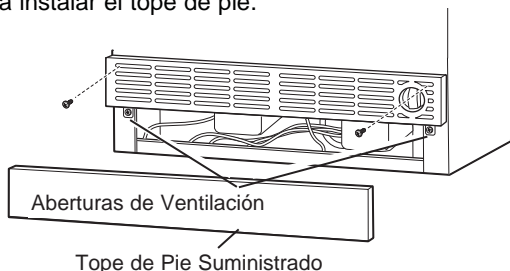
Si intenta elevar el refrigerador más de 1", dañará las patas niveladoras frontales y las ruedas niveladoras traseras.

Instrucciones de Instalación

INSTRUCCIONES DE INSTALACIÓN PARA LA UNIDAD INDIVIDUAL (cont.)

PASO 8 INSTALE EL TOPE DE PIE Y LA VENTILACIÓN

- Ubique el tope de pie, la ventilación y los tornillos (retirados anteriormente).
- Se puede instalar un tope de pie hecho a medida que coincida o complemente los muebles que estén alrededor. Use el tope de pie suministrado como plantilla.
- Vuelva a instalar la ventilación usando los tornillos retirados previamente.
- Vuelva a instalar el tope de pie.



PASO 9 GIRO DE PUERTA INVERSO (Si es necesario)

Si está satisfecho con el giro de la puerta, saltee este paso.

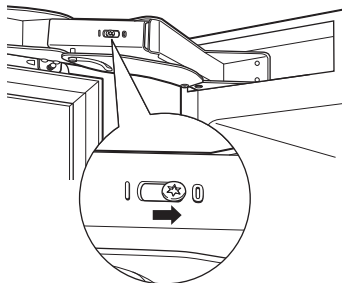
ADVERTENCIA Siga todos los pasos al invertir la dirección de la apertura de la puerta. Si no se siguen estas instrucciones, dejando piezas sin uso o ajustando tornillos en exceso, esto podrá hacer que la puerta se caiga y producir lesiones y daños sobre la propiedad.

1. Retire la cinta frontal de la unidad.

ADVERTENCIA  **Riesgo de Lastimaduras con la Bisagra de la Puerta**

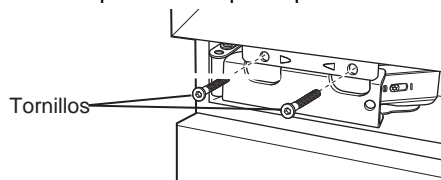
El siguiente paso es importante para un manejo seguro de una bisagra sin carga. No saltee el paso 2.

2. Libere los resortes de la bisagra usando una llave Torx T-20 para aflojar el tornillo Torx de | a 0 en ambos resortes. Cierre la puerta.

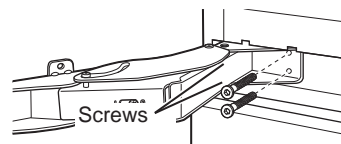


PASO 9 GIRO DE PUERTA INVERSO (Si es necesario) (cont.)

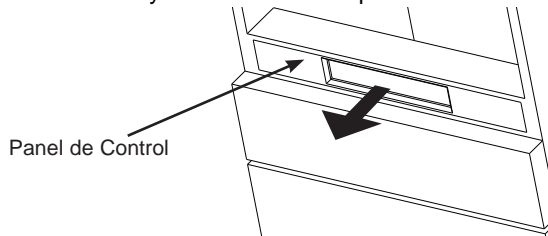
3. Usando una llave Allen de 5/32", retire los 2 tornillos por bisagra que aseguran la puerta al refrigerador. Pida a otra persona que sostenga la puerta, mientras retira estos tornillos para evitar que la puerta sufra una caída.



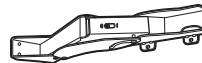
4. Abra las bisagras. Usando una llave Allen de 5/32", retire los 2 tornillos por bisagra que aseguran la bisagra al gabinete del refrigerador.



5. Retire el brazo de la bisagra y el marco de la parte superior del refrigerador e instale estos en los lados opuestos.
6. Retire el brazo de la bisagra y el marco de la parte inferior del compartimiento de alimentos frescos. Retire el panel de control y suavemente coloque el mismo en el cajón FZ.



7. Vuelva a instalar el panel de control.
8. Las bisagras se volverán a instalar en esquinas opuestas. La bisagra de la parte superior se dará vuelta y se instalará en la parte inferior del compartimiento de alimentos frescos. La bisagra de la parte inferior se dará vuelta y se instalará en la parte inferior del compartimiento de alimentos frescos.

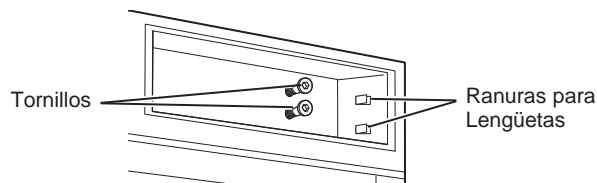


Bisagra Superior



Bisagra Inferior

9. Instale los tornillos en el gabinete del compartimiento de alimentos frescos en los 4 lugares. Atornille los mismos aproximadamente en el punto intermedio.

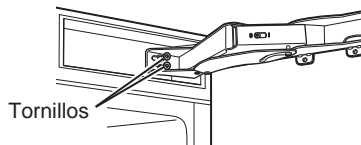


Instrucciones de Instalación

INSTRUCCIONES DE INSTALACIÓN PARA LA UNIDAD INDIVIDUAL (cont.)

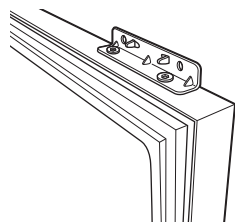
PASO 9 GIRO DE PUERTA INVERSO (Si es necesario) (cont.)

10. Para instalar la bisagra superior, gire la bisagra en la dirección adecuada – la sección del soporte que será añadido a la puerta se deberá encontrar en la parte inferior de la bisagra. Deslice la bisagra sobre los tornillos y coloque las lengüetas en el brazo de la bisagra. Ajuste los tornillos.

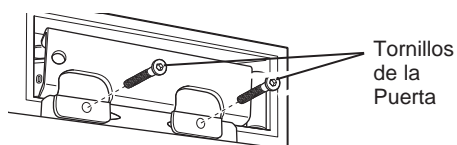


11. Para instalar la bisagra inferior, gire la bisagra en la dirección adecuada – la sección del soporte que será añadido a la puerta se deberá encontrar en la parte superior de la bisagra. Deslice la bisagra sobre los tornillos y coloque las lengüetas en el brazo de la bisagra. Ajuste los tornillos. Cierre la bisagra.

12. Retire las tuercas de la puerta para volver a instalar las mismas en la parte superior, inferior y extremo opuesto.

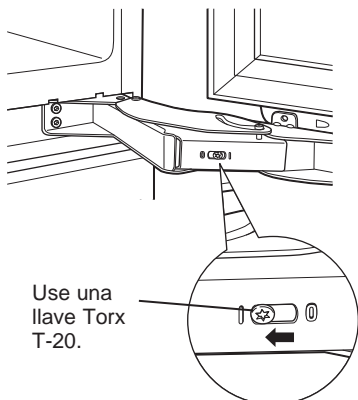


13. Con otra persona que sostenga la puerta en su lugar, alinee las aberturas del soporte de las bisagras de la puerta con las aberturas de la bisagra. Primero coloque los tornillos en la bisagra superior.



14. Luego instale los tornillos en la bisagra inferior.

15. Usando una llave Torx T-20, ajuste la tensión de los tornillos de la bisagra girando los tornillos de 0 a |.

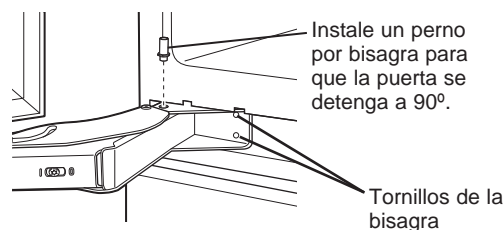


PASO 10 AJUSTE EL GIRO DE PUERTA (Si es necesario)

NOTA: El refrigerador cuenta con una detención de la puerta de 2 posiciones. Cuando el espacio no permita que la puerta gire 115°, podrá limitar el giro de la puerta a 90°.

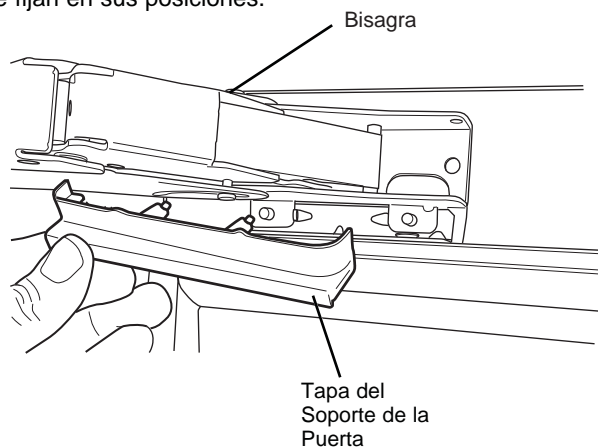
Si la apertura de la puerta es satisfactoria para su situación durante la instalación, saltee este paso.

- Abra la puerta de alimentos frescos para acceder a las bisagras superior e inferior.
- Afloje los tornillos de la bisagra inferior que estén colocados en la unidad.
- Empuje la bisagra hacia adelante suavemente e inserte el perno de la bisagra en el agujero más cercano a la unidad.
- Es posible que necesite usar un martillo más pequeño para una colocación completa.
- Vuelva a ajustar los tornillos de la bisagra.
- Repita esto en la bisagra superior.



PASO 11 INSTALE LAS TAPAS DEL SOPORTE DE LA PUERTA (en algunos modelos)

Instale las tapas para cubrir los soportes cerca de las bisagras en la parte superior e inferior de la puerta. Las tapas se fijan en sus posiciones.



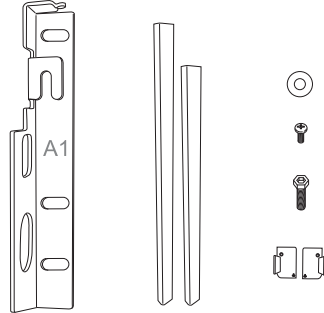
Instrucciones de Instalación

INSTRUCCIONES DE INSTALACIÓN PARA LA UNIDAD INDIVIDUAL (cont.)

PASO 12 INSTALE LOS PANELES DE LAS PUERTAS Y CAJONES

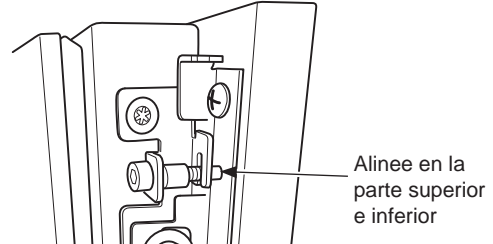
1. Retire todo el equipamiento de los paneles de la puerta y los cajones y cubierta del refrigerador.

Elemento	Cantidad
Soportes de los paneles	12
Tornillos mecánicos Phillips (para usar con el accesorio de panel SS)	34
Tornillos de cabeza hueca hexagonal Allen	12
Arandelas	12
Cubierta de la puerta	6
Tapas de la cubierta	12
Llave Allen	2



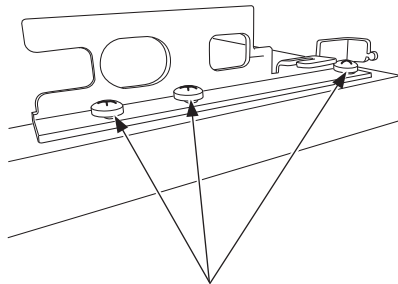
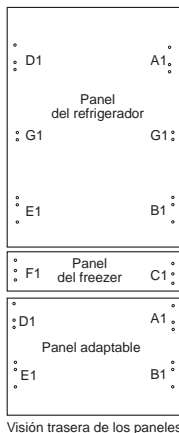
5. Abra la puerta de alimentos frescos para colocar el panel de alimentos frescos.

6. Coloque el panel de alimentos frescos sobre la puerta de alimentos frescos alineando los ganchos de los soportes del panel con los pernos de ajuste de la puerta.



7. Sujete el panel a la puerta de alimentos frescos en cuatro lugares utilizando el equipamiento indicado a continuación. No ajuste los tornillos. Los tornillos deben ajustarse después de la alineación de los paneles

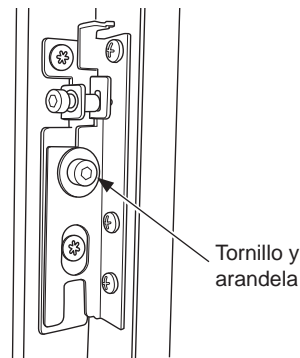
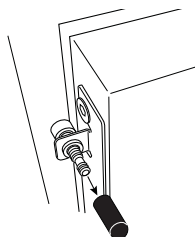
2. Sujete los soportes A1 - F1 a los paneles de la puerta en las ubicaciones identificadas abajo. Los paneles a medida deben contar con orificios perforados previamente como se indica en las plantillas para el panel de la puerta: 31-1000149, 31-1000150, 31-1000151, 31-1000152. Si compró un accesorio de panel SS, utilice los tornillos mecánicos Phillips para sujetar los soportes a los paneles SS de la puerta. Para los paneles a medida, utilice un tornillo para madera apropiado.



No ajuste los tornillos, usted lo tendrá que hacer después de finalizado el proceso de montaje y de alineación de izquierda a derecha.

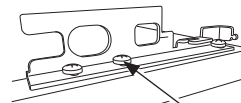
3. Si usted solicitó manijas a medida y en este momento no se encuentran instaladas en los paneles, por favor hágalo ahora.

4. Quite las tapas de los tornillos de los pernos de ajuste de las puertas.



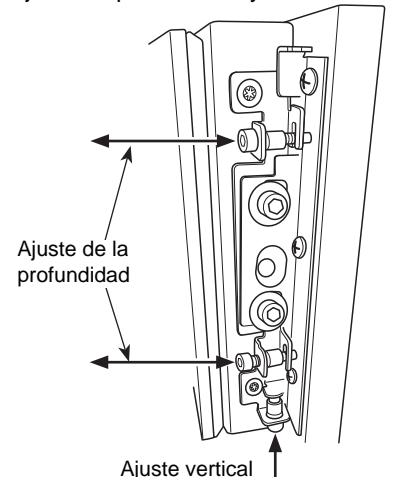
Tornillo y arandela

8. Desplace el panel de lado a lado para asegurar que no haya espacios desparejos respecto de los muebles de cocina sobre ambos lados.



Ajuste un tornillo por soporte. Los otros tornillos se ajustarán al final del proceso de alineación.

9. Utilice una llave allen para ajustar la profundidad y altura del panel de la puerta de alimentos frescos para que quede alineado con los muebles de cocina adyacentes. Debe haber un espacio mínimo de 1/8" entre el panel y los muebles de cocina adyacentes.

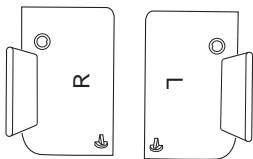
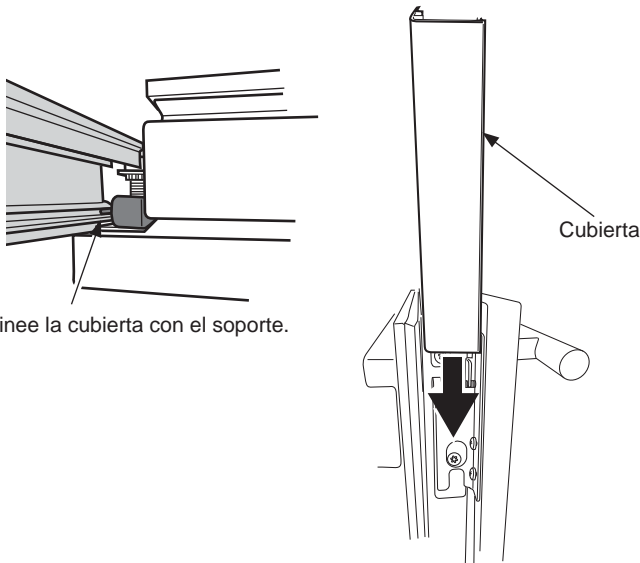


Instrucciones de Instalación

INSTRUCCIONES DE INSTALACIÓN PARA LA UNIDAD INDIVIDUAL (cont.)

PASO 12 INSTALE LOS PANELES DE LAS PUERTAS Y CAJONES (cont.)

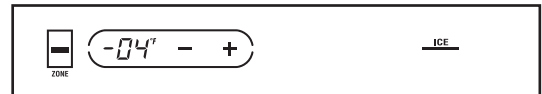
10. Repita los pasos 5-9 para el cajón del freezer.
11. Repita los pasos 5-9 para el cajón adaptable.
12. Ajuste todos los tornillos cuando haya comprobado la alineación correcta del panel.
13. Coloque la cubierta para que no se vea el equipamiento de ajuste del panel.



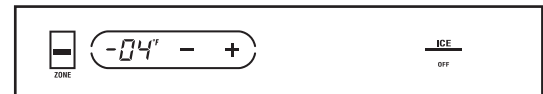
14. Instale las tapas de la cubierta para cubrir los extremos de misma.

PASO 13 ENCIENDA LA MÁQUINA DE HACER HIELO

- Presione el indicador de ZONE (Zona) en la tecla de control dos veces para seleccionar el cajón del freezer. Presione el ícono ICE (Hielo) en el lado derecho del control. Aparecerá una línea debajo de ICE (Hielo) que mostrará que la máquina de hacer hielo está en ON (Encendido)
- Asegúrese de que nada interfiera con la extensión del brazo indicador.
- Descarte el primer balde lleno de cubos de hielo.



- Para apagar la máquina de hacer hielo, presione el ícono ICE (Hielo). La palabra OFF (Apagar) aparece debajo de ICE (Hielo), indicando que la máquina de hacer hielo está en OFF (Apagar).



Instrucciones de Instalación

INSTRUCCIONES DE INSTALACIÓN PARA UNIDADES MÚLTIPLES

HERRAMIENTAS REQUERIDAS

- Llave Allen de 5/32"
- Cuchillo multiuso
- Escalera de dos hojas
- Balde
- Nivel
- Carro manual para electrodomésticos
- Cortador de tubos
- Llave de tuercas de 7/16"
- Llave de tuercas de 1 5/14"
- Destornillador Phillips nº2
- Kit de taladro y broca
- Enchufe de 5/16"
- Gafas de seguridad
- Pinzas
- Trinquete de 3/8"
- Torx T-20, T-30 Llave

MATERIALES SUMINISTRADOS

- Soporte anti-volcaduras y tornillos
- Kit de instalación de panel
- Plantillas para el panel de la puerta- Pub nº 31-1000149, 31-1000150, 31-1000151, 31-1000152
- Filtro de agua – Parte nº XWFE
- Anclajes para Paredes de Yeso y tornillos

MATERIALES REQUERIDOS

- Tubería de suministro de agua de cobre o de SmartConnect™ de 1/4". Kits de tubería del refrigerador
- Válvula de cierre de agua
 - Paneles a medida de la puerta para alimentos frescos, cajón del freezer y cajón Convertible
 - Velcro con adhesivo si se usa un tope de pie a medida.
 - Kit de Unificación del Calefactor ZUG30 (se requiere 1 kit por cada unidad adicional).

PISO

Para una instalación correcta, el refrigerador se deberá ubicar en una superficie nivelada de material duro que posea la misma altura en el resto del piso. Esta superficie deberá ser lo suficientemente fuerte como para resistir el peso de un refrigerador totalmente cargado o aproximadamente 1.200 libras (140 kg.).

NOTA: Proteja el acabado del piso. Corte una sección amplia de cartón y coloque la misma debajo del refrigerador donde se encuentra trabajando.

UBICACIÓN DE LA UNIDAD

- No instale la unidad en lugares donde la temperatura llegue a ser inferior a los 60°F (16°C). Ésta no funcionará con la frecuencia suficiente como para mantener las temperaturas apropiadas.
- No instale la unidad en lugares donde la temperatura sea superior a los 100°F (37°C). Ésta no funcionará correctamente.
- No instale la unidad en una ubicación expuesta al agua (lluvia, etc.) o en contacto directo con la luz solar.
- No instale la unidad en un piso que no sea lo suficientemente fuerte como para soportarla completamente cargada.

Instrucciones de Instalación

INSTRUCCIONES DE INSTALACIÓN PARA UNIDADES MÚLTIPLES (cont.)

PASO 1 RETIRE EL EMBALAJE

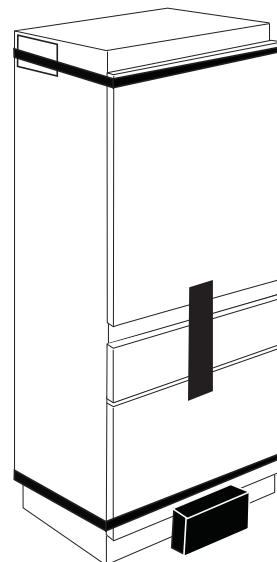
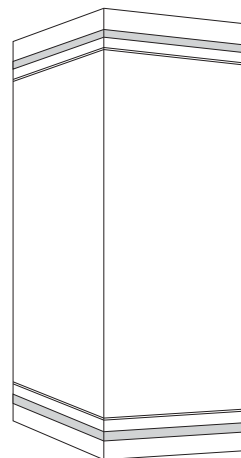
⚠ ADVERTENCIA



Riesgo de Caída.

Este electrodoméstico es inestable. Tenga extremo cuidado al moverlo, a fin de evitar caídas hacia adelante que podrían resultar en la muerte o lesiones graves.

- Recorte las bandas y cintas de la parte superior e inferior del embalaje con un cuchillo multiuso.
- Despliegue las juntas del cartón y retire la parte superior del embalaje.
- Deslice el resto de la caja fuera del electrodoméstico. Puede usar una cuchilla para cortar el resto del cartón con MUCHO CUIDADO de no rayar el electrodoméstico.
- Retire las planchas de poliestireno que se encuentran alrededor de la unidad.
- NO retire la banda de la puerta ni las piezas inferiores con bandas de poliestireno hasta que la unidad esté preparada para ser trasladada al espacio de protección.
- Retire el soporte antivolcaduras y la protección de gomaespuma de la parte superior de la unidad y deje los mismos a un costado para realizar la instalación más tarde.
- Mantenga la banda de la puerta frontal y la cinta de la puerta/cajón sobre la unidad hasta que el producto se encuentre instalado sobre el soporte antivolcaduras.
- Retire las piezas del marco encintadas sobre el frente del producto y deje las mismas a un costado para utilizarlas más tarde en la instalación.
- Retire toda la cinta de embalaje excepto la cinta de la puerta/cajón frontal y la cinta con advertencias y etiquetas anaranjadas.
- Despegue, pero NO RETIRE, la cinta de la puerta/cajón.
- Abra el cajón intermedio y retire el paquete del Manual del Propietario, que incluye las instrucciones de instalación de la unidad.
- Cierre el cajón intermedio y vuelva a colocar la cinta para mantener la puerta y el cajón intermedio cerrados hasta que el producto sea instalado sobre el soporte antivolcaduras.
- Recorte los deslizantes de las planchas de poliestireno sobre los costados, cerca del frente desde la parte trasera de la unidad.
- Empuje la unidad hacia adelante y retire la parte trasera del deslizante de EPS.
- De forma cuidadosa apoye la parte trasera en el piso.
- Incline la unidad hacia atrás de forma suave y retire la parte frontal del deslizante de EPS.
- Descarte todos los materiales de embalaje sin uso de forma adecuada.
- La unidad ya puede ser trasladada usando un carro manual para electrodomésticos o girada sobre un piso adecuadamente protegido por 2 personas.
- Deje cualquier película protectora sobre la unidad hasta que la instalación sea completada.



Instrucciones de Instalación

INSTRUCCIONES DE INSTALACIÓN PARA UNIDADES MÚLTIPLES (cont.)

PASO 2 INSTALE EL KIT(S) DE UNIFICACIÓN DE CALEFACTOR EN LA UNIDAD 2

⚠ ADVERTENCIA

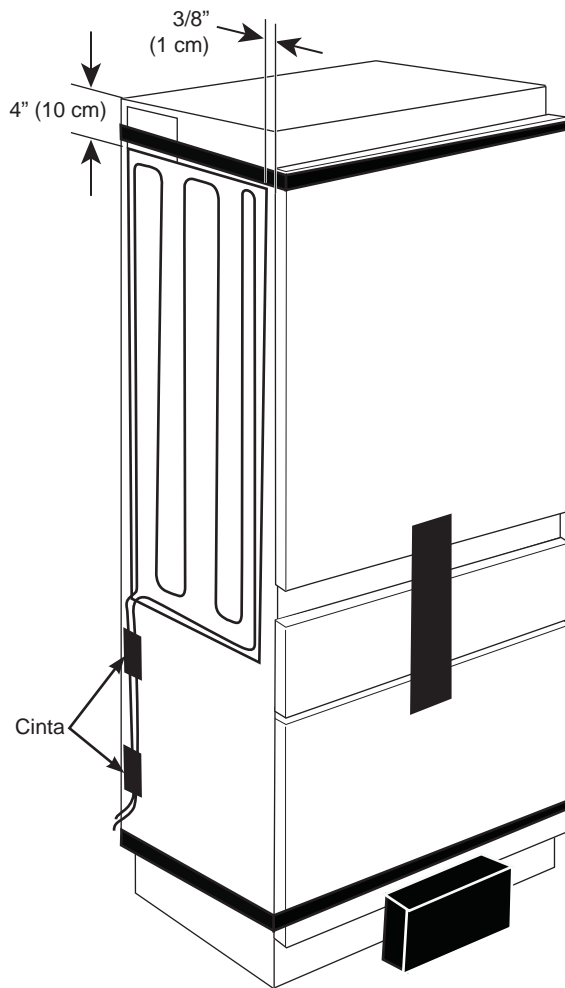


Riesgo de Caída

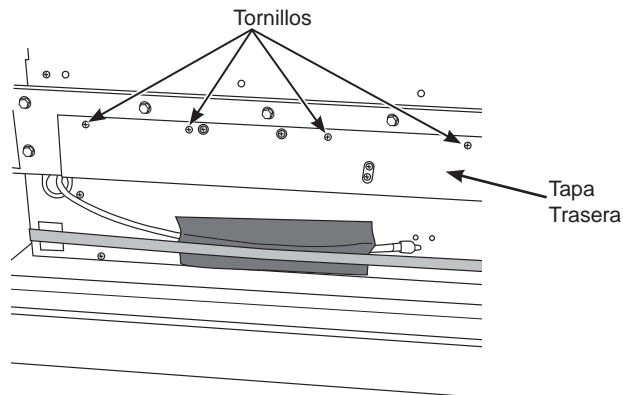
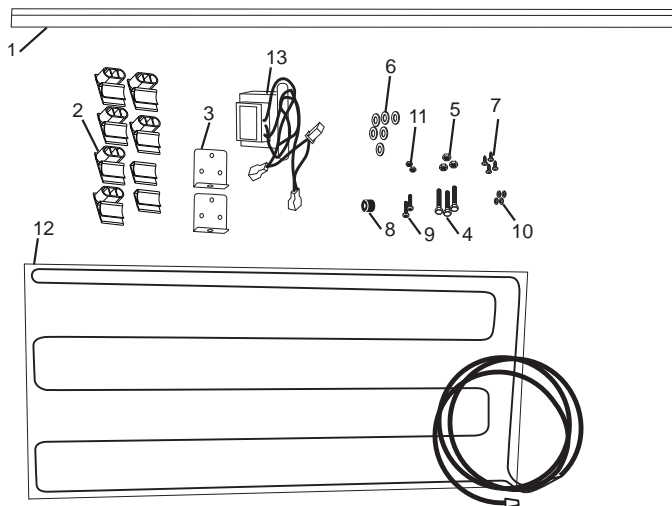
Estos electrodomésticos son inestables, especialmente cuando una puerta se encuentre abierta, y deben estar asegurados a fin de evitar caídas hacia adelante que podrían resultar en la muerte o en lesiones graves. Lea y siga las instrucciones de instalación en su totalidad para asegurar el electrodoméstico con el sistema antivolcaduras.

- No retire la banda de la puerta superior ni la cinta de la puerta/ cajón frontal.
- Retire cualquier adhesivo restante y cinta del lado izquierdo de la segunda unidad, a fin de poder instalar correctamente el Kit de Unificación del Calefactor. NO retire la etiqueta de advertencias.
- Limpie la superficie con una tela seca y limpia.
- Abra el Kit(s) de Unificación del Calefactor y asegúrese de que todas las piezas estén incluidas. Usted necesitará un Kit de Unificación del Calefactor para cada unidad además de la primera.
 1. Tapa del marco (ABS): 1 pieza
 2. Abrazaderas de suspensión de la tapa del marco con cinta adhesiva en ambas caras: 8 piezas (2 son diferentes)
 3. Soporte del lado trasero (pieza de la esquina metálica): 2 piezas
 4. Tornillo M6x45: 3 piezas
 5. Tuerca M6-8: 3 piezas
 6. Arandela 6-INOX: 6 piezas
 7. Tornillo de 4.8x13 (para adhesión al soporte): 4 piezas
 8. Amortiguador de refuerzo (para el cableado del calefactor): 1 pieza
 9. Tornillo M4x18 : 2 piezas
 10. Arandela A4-NR: 4 piezas
 11. Tuerca M4x3-NR: 2 piezas
 12. Calefactor: 1 pieza
 13. Transformador con arnés para el puente del Calefactor – 1 pieza

- Retire el papel de respaldo del calefactor y con cuidado ubique el calefactor del lado izquierdo de la unidad 2. Coloque el calefactor a 3/8" (1 cm) del extremo frontal y a 4" (10 cm) del extremo superior. NOTA: El calefactor siempre se coloca del lado izquierdo (mirando hacia adelante) de la unidad. El calefactor podrá cubrir la parte inferior de la etiqueta de advertencia.



- Asegure el arnés del calefactor con cinta y retire los tornillos de la tapa trasera.

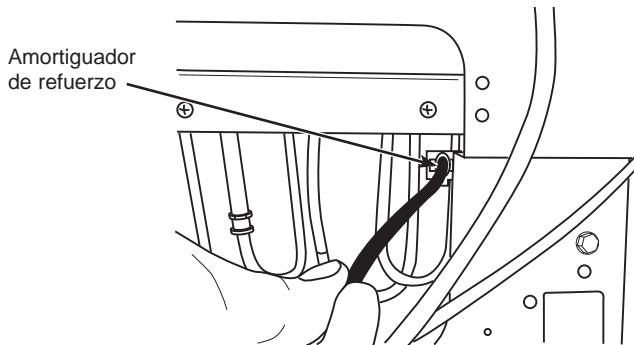


Instrucciones de Instalación

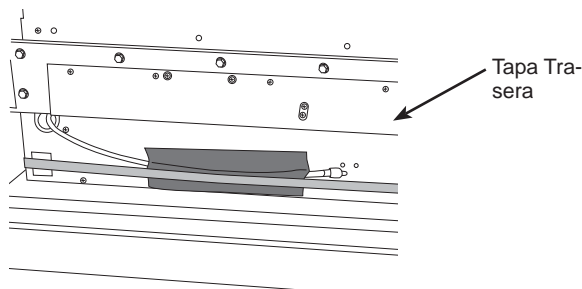
INSTRUCCIONES DE INSTALACIÓN PARA UNIDADES MÚLTIPLES (cont.)

PASO 2 INSTALE EL KIT(S) DE UNIFICACIÓN DE CALEFACTOR EN LA UNIDAD 2 (cont.)

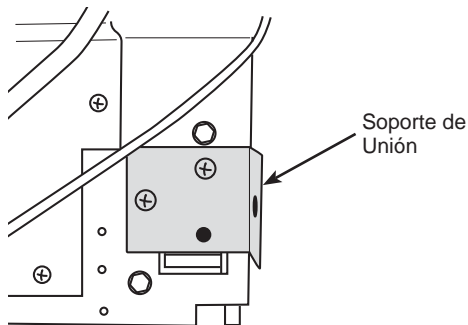
- Coloque el arnés del calefactor en el agujero usando el amortiguador de refuerzo del kit y empuje el conector del cableado hacia el frente de la unidad.



- Vuelva a colocar la tapa trasera.

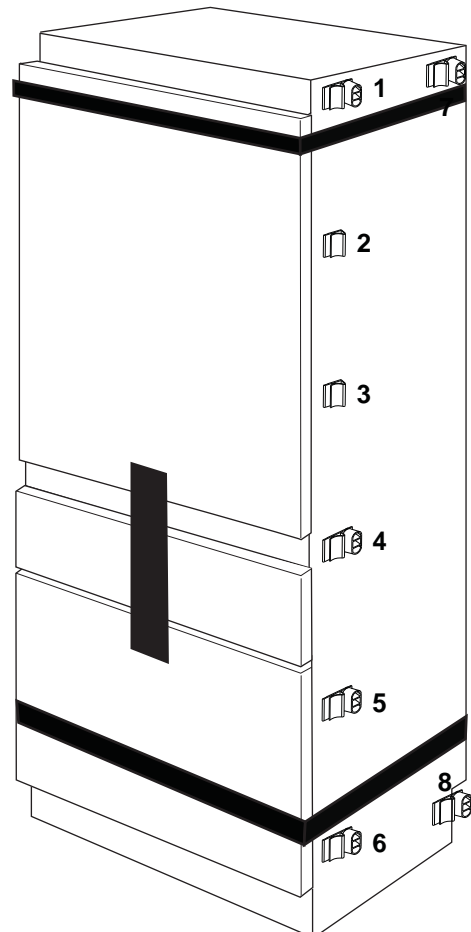
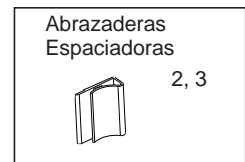
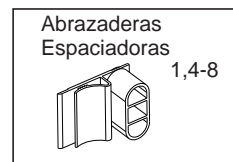


- Adhiera el soporte de unión a la unidad 2 usando tornillos del kit.



- Retire la cinta y la banda de la unidad 1.
- Adhiera el soporte de unión a la unidad 1 usando tornillos del Kit de Unificación del Calefactor

- Adhiera las abrazaderas de suspensión de la tapa del marco sobre el lado izquierdo de la unidad a 1.4mm desde el extremo frontal. La abrazadera 1 deberá estar alineada con el agujero de la esquina superior izquierda. La abrazadera 4 deberá estar alineada justo debajo de la puerta superior. Las abrazaderas 2 y 3 deberán estar espaciadas de forma proporcional una de otra. Observe que estas abrazaderas son diferentes a las otras. La abrazadera 6 se deberá adherir sobre la esquina frontal inferior, a 4mm del extremo frontal. La abrazadera 5 deberá estar correctamente espaciada entre las abrazaderas 4 y 6. La abrazadera 7 deberá estar adherida sobre la esquina superior derecha, a 4mm del extremo trasero. La abrazadera 8 deberá estar adherida al extremo trasero del refrigerador, alineada con el agujero del soporte de unión.

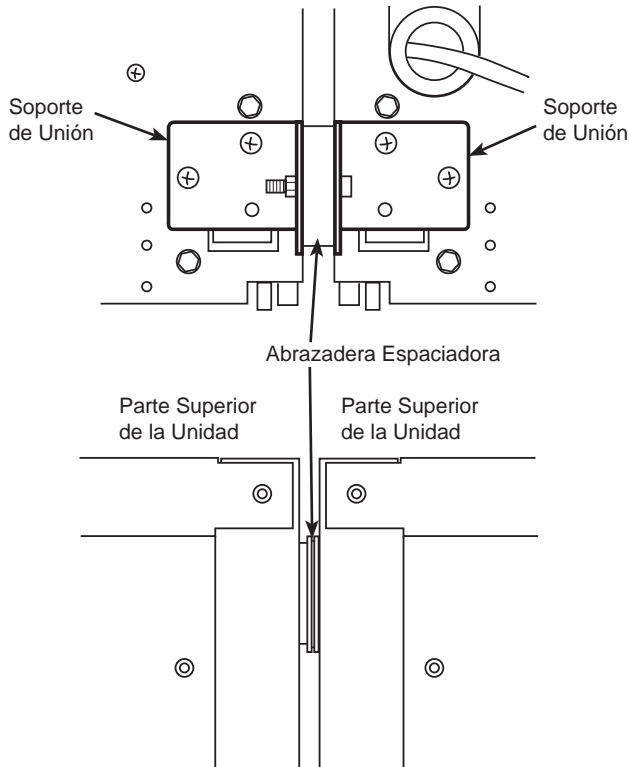


Instrucciones de Instalación

INSTRUCCIONES DE INSTALACIÓN PARA UNIDADES MÚLTIPLES (cont.)

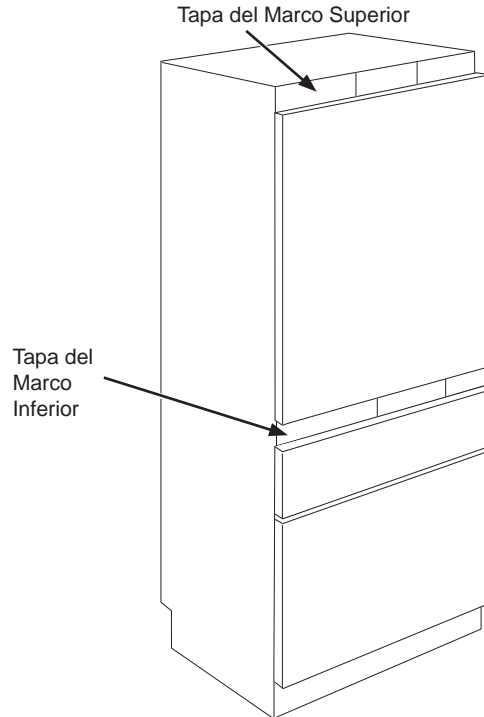
PASO 2 INSTALE EL KIT(S) DE UNIFICACIÓN DE CALEFACTOR EN LA UNIDAD 2 (cont.)

- Mueva las dos (o más) unidades juntas y alinee el frente.
- Adhiera las unidades 1 y 2 a la parte trasera usando tornillos y tuercas del Kit de Unificación del Calefactor ZUG30. Una cualquier unidad restante del mismo modo.



PASO 3 GIRO DE PUERTA INVERSO (UNIDAD 1)

- Retire las tapas del marco superior e inferior de la unidad 1.



⚠ ADVERTENCIA

Siga todos los pasos al invertir la dirección de la apertura de la puerta. Si no se siguen estas instrucciones, dejando piezas sin uso o ajustando tornillos en exceso, esto podrá hacer que la puerta se caiga y producir lesiones y daños sobre la propiedad.

1. Empuje la cinta frontal hacia abajo lo suficiente como para abrir la puerta del refrigerador.

⚠ ADVERTENCIA

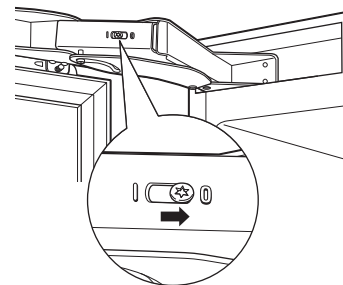


Riesgo de

Lastimaduras con la Bisagra de la Puerta

El siguiente paso es importante para un manejo seguro de una bisagra sin carga. No saltee el paso 2.

2. Libere los resortes de la bisagra usando una llave Torx T-20 para aflojar el tornillo Torx de | a 0 en ambos resortes. Cierre la puerta.

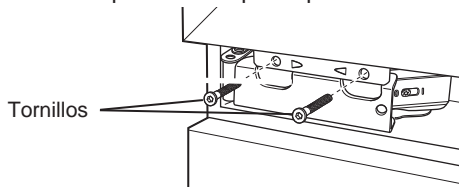


Instrucciones de Instalación

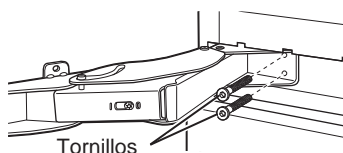
INSTRUCCIONES DE INSTALACIÓN PARA UNIDADES MÚLTIPLES (cont.)

PASO 3 GIRO DE PUERTA INVERSO (UNIDAD 1) (Cont.)

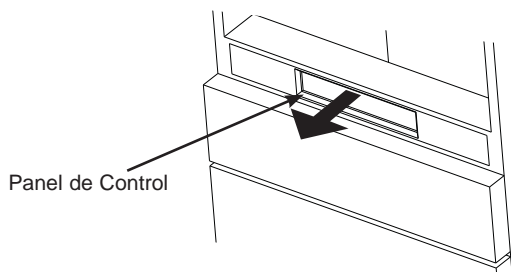
3. Usando una llave Allen de 5/32", retire los 2 tornillos por bisagra que aseguran la puerta al refrigerador. Pida a otra persona que sostenga la puerta, mientras retira estos tornillos para evitar que la puerta sufra una caída.



4. Abra las bisagras. Usando una llave Allen de 5/32", retire los 2 tornillos por bisagra que aseguran la bisagra al gabinete del refrigerador.



5. Retire el brazo de la bisagra y el marco de la parte superior del refrigerador e instale estos en los lados opuestos.
6. Retire el brazo de la bisagra y el marco de la parte inferior del compartimiento de alimentos frescos. Retire el panel de control y suavemente coloque el mismo en el cajón FZ.



7. Vuelva a instalar el panel de control.
8. Las bisagras se volverán a instalar en esquinas opuestas. La bisagra de la parte superior se dará vuelta y se instalará en la parte inferior del compartimiento de alimentos frescos. La bisagra de la parte inferior se dará vuelta y se instalará en la parte inferior del compartimiento de alimentos frescos.

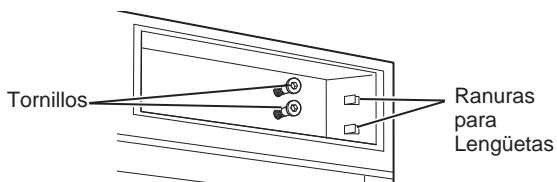


Bisagra Superior

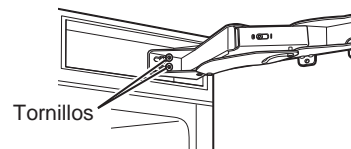


Bisagra Inferior

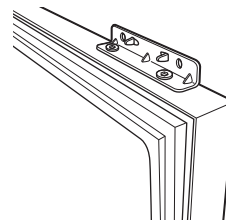
9. Instale los tornillos en el gabinete del compartimiento de alimentos frescos en los 4 lugares. Atornille los mismos aproximadamente en el punto intermedio.



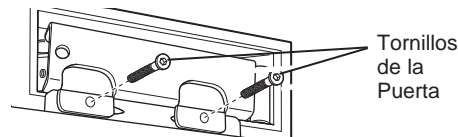
10. Para instalar la bisagra superior, gire la bisagra en la dirección adecuada – la sección del soporte que será añadido a la puerta se deberá encontrar en la parte inferior de la bisagra. Deslice la bisagra sobre los tornillos y coloque las lengüetas en el brazo de la bisagra. Ajuste los tornillos.



11. Para instalar la bisagra inferior, gire la bisagra en la dirección adecuada – la sección del soporte que será añadido a la puerta se deberá encontrar en la parte superior de la bisagra. Deslice la bisagra sobre los tornillos y coloque las lengüetas en el brazo de la bisagra. Ajuste los tornillos. Cierre la bisagra.
12. Retire las tuercas de la puerta para volver a instalar las mismas en la parte superior, inferior y extremo opuesto.

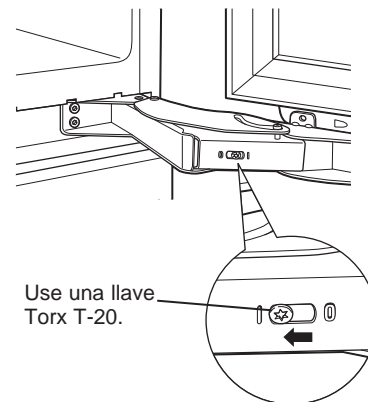


13. Con otra persona que sostenga la puerta en su lugar, alinee las aberturas del soporte de las bisagras de la puerta con las aberturas de la bisagra. Primero coloque los tornillos en la bisagra superior.



14. Luego instale los tornillos en la bisagra inferior.

15. Usando una llave Torx T-20, ajuste la tensión de los tornillos de la bisagra girando los tornillos de 0 a |.



Instrucciones de Instalación

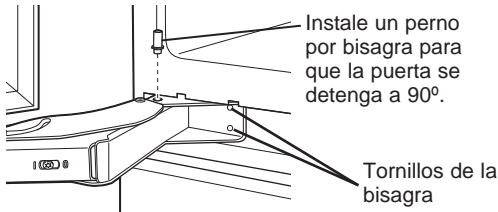
INSTRUCCIONES DE INSTALACIÓN PARA UNIDADES MÚLTIPLES (cont.)

PASO 4 AJUSTE EL GIRO DE PUERTA (UNIDAD 1)

NOTA: El refrigerador cuenta con una detención de la puerta de 2 posiciones. Cuando el espacio no permita que la puerta gire 115°, podrá limitar el giro de la puerta a 90°. Se recomienda una configuración a 90° para cualquier instalación donde una unidad posea otra unidad a ambos lados.

Si la apertura de la puerta es satisfactoria para su situación durante la instalación, saltee este paso.

- Abra la puerta de alimentos frescos para acceder a las bisagras superior e inferior.
- Afloje los tornillos de la bisagra inferior que estén colocados en la unidad.
- Empuje la bisagra hacia adelante suavemente e inserte el perno de la bisagra en el agujero más cercano a la unidad.
- Es posible que necesite usar un martillo más pequeño para una colocación completa.
- Vuelva a ajustar los tornillos de la bisagra.
- Repita esto en la bisagra superior.

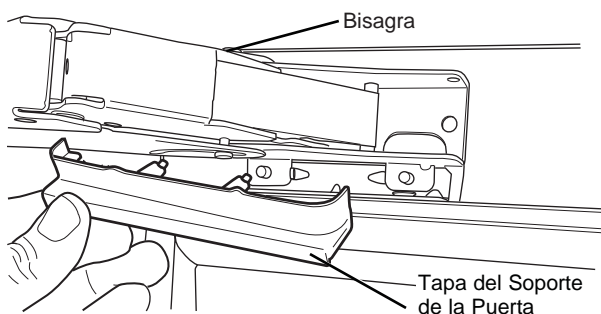


⚠ ADVERTENCIA Riesgo de Lastimaduras con el Borde de la Puerta

Una instalación inadecuada puede crear el riesgo de lastimadura de un dedo entre el borde lateral de la puerta y los gabinetes al usar la puerta, especialmente para los niños. A fin de minimizar este riesgo, deberá seguir las instrucciones de instalación acordes a las dimensiones del gabinete, ensamble de los bordes, y ángulo de bloqueo de la puerta.

PASO 5 INSTALE LAS TAPAS DEL SOPORTE DE LA PUERTA (UNIDAD 1)

Instale las tapas para cubrir los soportes cerca de las bisagras en la parte superior e inferior de la puerta. Las tapas se fijan en sus posiciones.

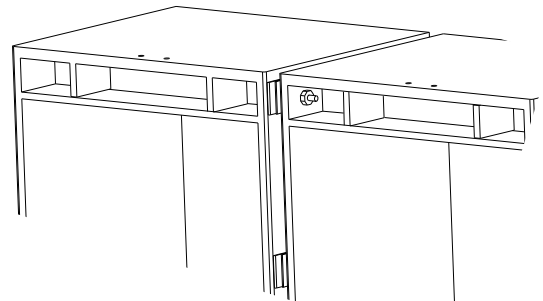
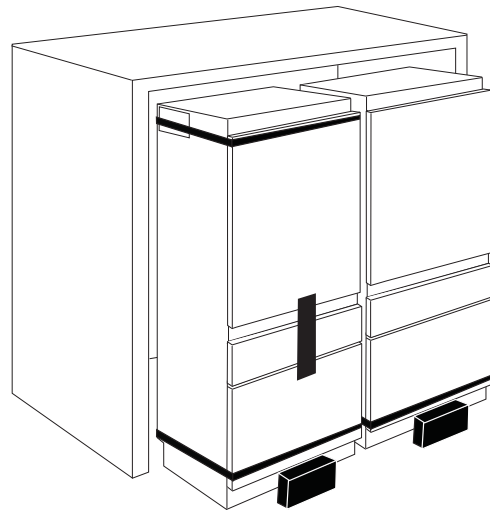


PASO 6 INSTALACIÓN DE LAS OTRAS UNIDADES

Complete los Pasos 2 a 5 sobre cualquier otra unidad que se instale.

PASO 7 UNA LAS UNIDADES

1. Mueva las unidades frente al espacio de protección del gabinete una junto a otra, con los agujeros superiores alineados. Utilizando pernos, arandelas y tuercas del Kit de Unificación del Calefactor, una las dos unidades en el frente – partes superior y central. Ajuste los pernos hasta que las abrazaderas espaciadoras tengan contacto entre las unidades.

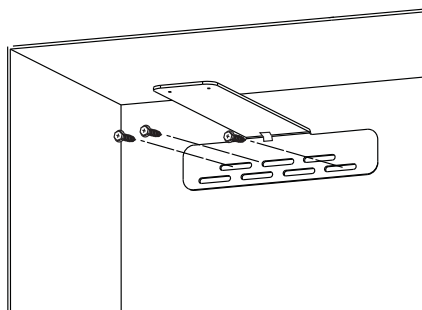
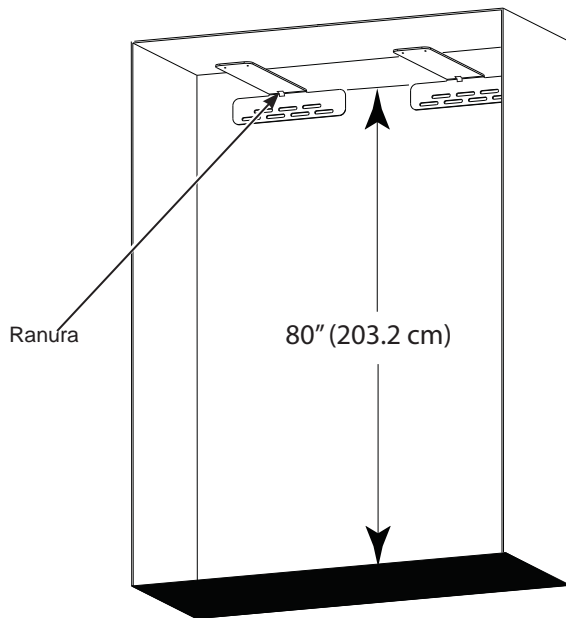


Instrucciones de Instalación

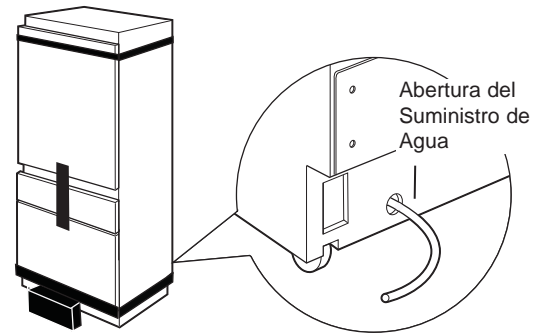
INSTRUCCIONES DE INSTALACIÓN PARA UNIDADES MÚLTIPLES (cont.)

PASO 8 INSTALE EL SOPORTE ANTI-VOLCADURAS

- Ubique los soportes antivolcaduras de todas las unidades.
- La Cara Superior Interna del soporte se debería instalar a 80" (203.2 cm). La "Ranura" del soporte se deberá colocar en el centro del espacio de instalación (Típicamente a 15" (38.1 cm) desde la parte exterior).
- Marque (dentro de las ranuras, ubicación) las posiciones del montaje y el anclaje en los soportes.
- Asegure el soporte usando una combinación de montajes y anclajes.
- Se deberá colocar por lo menos 1 montaje. Sin embargo, se requiere colocar tantos montajes como sea posible dentro del espacio de protección. Para una instalación adecuada, se deberán usar por lo menos tres sujetadores.



PASO 9 CONECTAR LA LÍNEA DE AGUA



⚠ ADVERTENCIA Realice la conexión a un suministro de agua potable únicamente.

- Posicione el electrodoméstico frente al espacio de protección.
- Encuentre y traiga la tubería al frente del gabinete.
- Abra y deje correr el agua a fin de eliminar desechos del suministro. Deje correr alrededor de un cuarto de galón de agua por la tubería a un balde; luego cierre el suministro de agua.

De ser necesario, corte la tubería a fin de darle la longitud necesaria de modo que se pueda añadir a la válvula de agua.

Tubería de Cobre:

- Coloque una tuerca de 1/4" y una abrazadera de refuerzo sobre ambos extremos de la tubería de cobre. Inserte la tubería en la unión con la unidad y ajuste la tuerca a la unión.
- Abra el suministro de agua para controlar que no haya pérdidas.

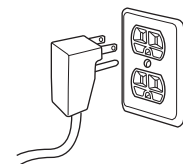
Tubería de SmartConnect™:

- Siga las instrucciones provistas con la tubería. Ajustar en exceso podrá ocasionar pérdidas. Abra el suministro de agua para controlar que no haya pérdidas.

Nota: Enrolle la longitud de tubería restante detrás de la unidad.

PASO 10 CONECTE LA CORRIENTE

- Enchufe el cable de corriente en el tomacorriente.
- Asegúrese de que haya corriente en el refrigerador, abriendo el cajón de hielo (la puerta FF se cerrará con una banda) para ver si las luces interiores están encendidas.
- Los controles de temperatura estarán programados a 37° F para la sección de alimentos frescos y a 0°F tanto en el cajón del freezer como en el cajón adaptable.
- Permita que se estabilice durante 24 horas antes de realizar ajustes.

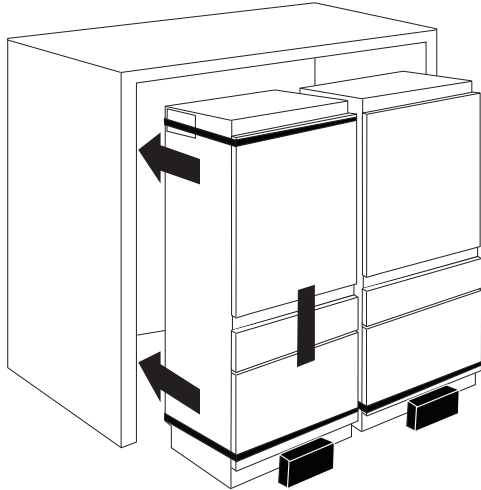


Instrucciones de Instalación

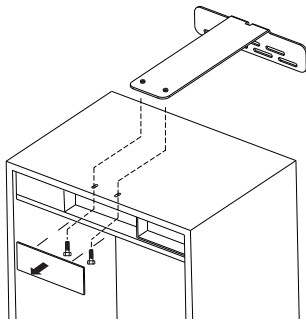
INSTRUCCIONES DE INSTALACIÓN PARA UNIDADES MÚLTIPLES (cont.)

PASO 11 DESLICE LA UNIDAD HASTA EL ESPACIO DE PROTECCIÓN

- Lleve la unidades hasta el espacio de protección, evitando retorcer la tubería de suministro de agua y el cable de corriente.



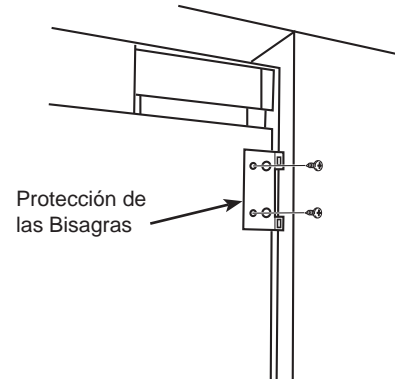
- Retire toda la cinta sobre el frente de cada unidad.
- Es posible que se requiera una barra larga y plana o una regla para medir yardas, a fin de guiar el extremo del frente del soporte anti-volcaduras sobre la unidades.
- Si el espacio lo permite, también puede inclinar el extremo frontal del soporte un poco hacia arriba, permitiendo que esto despeje la parte trasera de la unidades.



- Retire de cada unidad la cubierta central superior de los componentes.
- Asegure cada unidad al soporte anti-volcaduras, usando tornillos de máquina y arandelas para colocar las inserciones roscadas en el soporte anti-volcaduras
- Enrosque a mano los tornillos hasta que la unidad se encuentre en la ubicación deseada dentro del espacio de instalación.
- Finalice la instalación de la unidad ajustando los tornillos completamente.
- Vuelva a instalar la cubierta de los componentes.

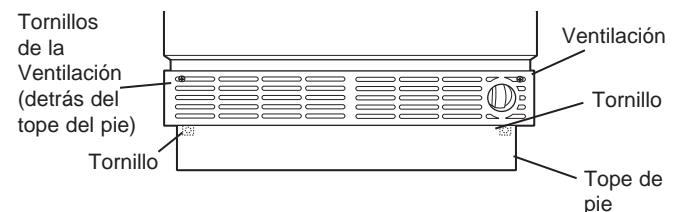
PASO 12 INSTALE EL PROTECTOR DE LA BISAGRA

- Ubique el conjunto de adhesión del panel en el cajón inferior.
- Usando los tornillos provistos, adhiera las protecciones de las bisagras sobre el lado de las bisagras superior e inferior de la puerta.

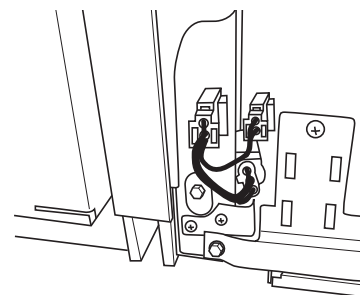


PASO 13 CONECTE EL CALEFACTOR

- Corte las bandas restantes y retire las planchas de poliestireno de la parte inferior de las unidades.
- Retire los topes de pie y las ventilaciones de las partes inferiores de las unidades.



- Ubique y enchufe los calefactores en los arneses eléctricos, usando el puente incluido con el Kit de Unificación del Calefactor.

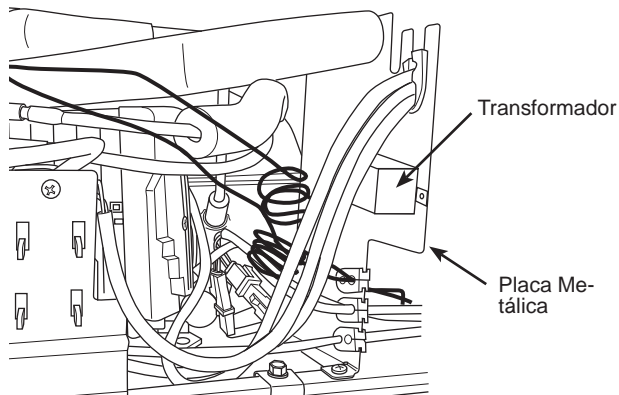


Instrucciones de Instalación

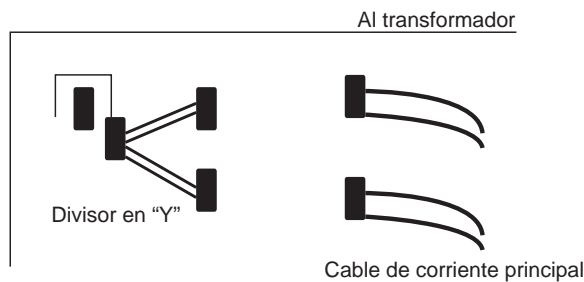
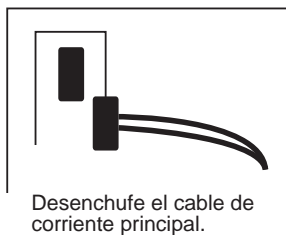
INSTRUCCIONES DE INSTALACIÓN PARA UNIDADES MÚLTIPLES (cont.)

PASO 13 CONECTE EL CALEFACTOR (Cont.)

- Ubique la placa metálica vertical detrás de la tapa de ventilación. Hay dos agujeros en la placa para montar el transformador. Ubique el transformador en la placa y realice la adherencia usando los pernos, tuercas y arandelas suministradas.



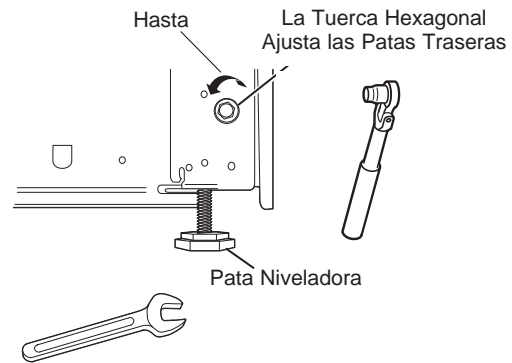
- Frente a la unidad, desenchufe el cable de corriente y reemplace el mismo por un divisor en "Y" suministrado con el kit. Sobre los extremos del divisor, enchufe el transformador (conductores negro y blanco) y el enchufe del cable de corriente.



PASO 14 NIVELE LA UNIDAD

Todos los modelos cuentan con 4 puntos de nivelación. La parte frontal está apoyada sobre patas niveladoras; la parte trasera está apoyada sobre ruedas ajustables. Es posible acceder a ambas desde la parte frontal del refrigerador.

- A fin de nivelar la parte trasera del refrigerador, gire la tuerca hexagonal de 5/16" que se encuentra ubicada sobre las ruedas frontales. Gire en contra de las agujas del reloj para levantar o a favor de las agujas del reloj para bajar el refrigerador.
- Para nivelar la parte frontal, use una llave de tuercas de 1-5/16".
- Ajuste la altura de la unidad para que coincida con la abertura del espacio libre de la instalación. La unidad deberá estar nivelada de forma vertical entre los muebles de cocina.



NOTIFICACIÓN: Las patas niveladoras traseras y frontales cuentan con un límite de ajuste de altura máxima de 1". Si en la instalación se requiere una altura superior a 84-1/2", el instalador deberá elevar el refrigerador sobre una lámina de contrachapado o tirantes. También se podrá agregar un ajuste a los gabinetes sobre la parte superior de la abertura, a fin de acortar esta última.

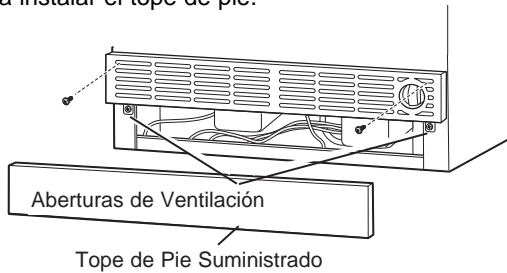
Si intenta elevar el refrigerador más de 1", dañará las patas niveladoras frontales y las ruedas niveladoras traseras.

Instrucciones de Instalación

INSTRUCCIONES DE INSTALACIÓN PARA UNIDADES MÚLTIPLES (cont.)

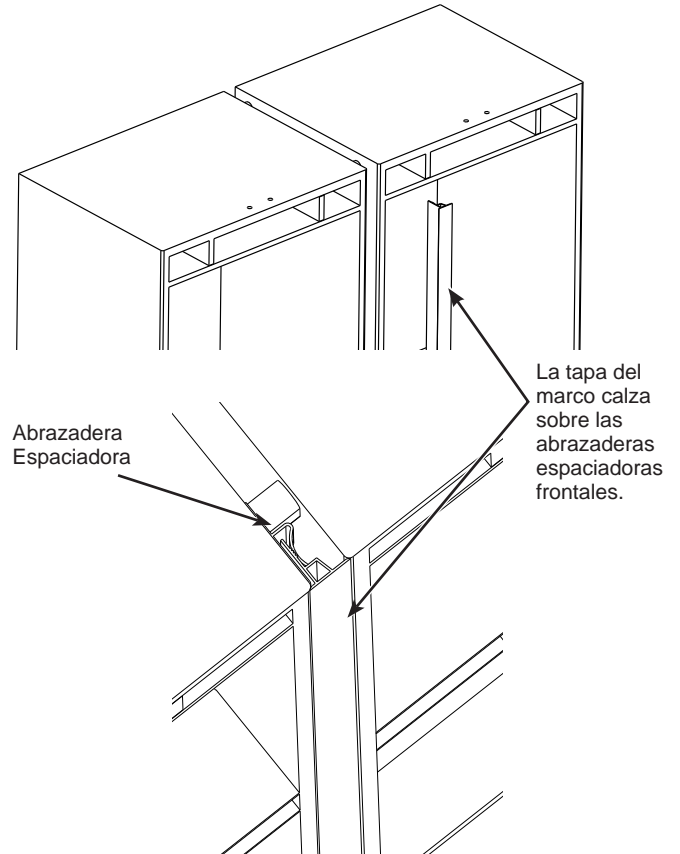
PASO 15 INSTALE EL TOPE DE PIE Y LA VENTILACIÓN

- Ubique el tope de pie, la ventilación y los tornillos (retirados anteriormente).
- Se puede instalar un tope de pie hecho a medida que coincida o complemente los muebles que estén alrededor. Use el tope de pie suministrado como plantilla.
- Vuelva a instalar la ventilación usando los tornillos retirados previamente.
- Vuelva a instalar el tope de pie.



PASO 16 INSTALE EL MARCO FRONTAL

Adhiera la pieza del marco frontal, provista con el kit de Unificación del Calefactor, sobre la longitud de las unidades desde la parte superior a la parte inferior, calzando la misma sobre las abrazaderas que se adhirieron en el paso 2.



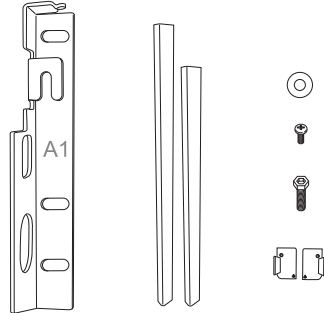
Instrucciones de Instalación

INSTRUCCIONES DE INSTALACIÓN PARA UNIDADES MÚLTIPLES (cont.)

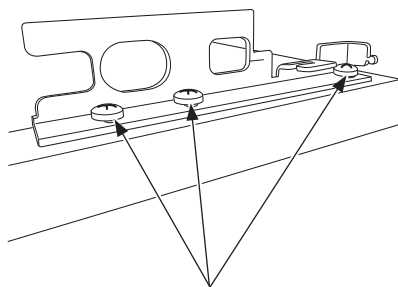
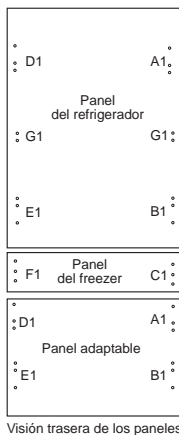
PASO 17 INSTALE LOS PANELES DE LAS PUERTAS Y CAJONES

1. Retire todo el equipamiento de los paneles de la puerta y los cajones y cubierta del refrigerador.

Elemento	Cantidad
Soportes de los paneles	12
Tornillos mecánicos Phillips (para usar con el accesorio de panel SS)	34
Tornillos de cabeza hueca hexagonal Allen	12
Arandelas	12
Cubierta de la puerta	6
Tapas de la cubierta	12
Llave Allen	2



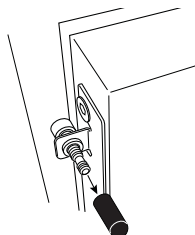
2. Sujete los soportes A1 - F1 a los paneles de la puerta en las ubicaciones identificadas abajo. Los paneles a medida deben contar con orificios perforados previamente como se indica en las plantillas para el panel de la puerta: 31-1000149, 31-1000150, 31-1000151, 31-1000152. Si compró un accesorio de panel SS, utilice los tornillos mecánicos Phillips para sujetar los soportes a los paneles SS de la puerta. Para los paneles a medida, utilice un tornillo para madera apropiado.



No ajuste los tornillos, usted lo tendrá que hacer después de finalizado el proceso de montaje y de alineación de izquierda a derecha.

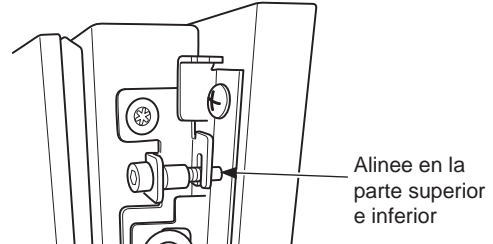
3. Si usted solicitó manijas a medida y en este momento no se encuentran instaladas en los paneles, por favor hágalo ahora.

4. Quite las tapas de los tornillos de los pernos de ajuste de las puertas.

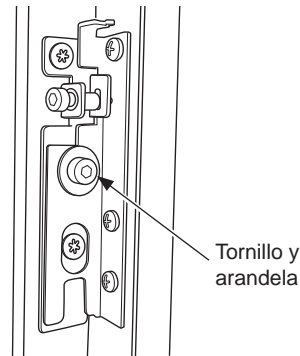


5. Abra la puerta de alimentos frescos para colocar el panel de alimentos frescos.

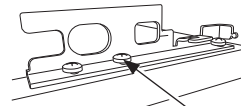
6. Coloque el panel de alimentos frescos sobre la puerta de alimentos frescos alineando los ganchos de los soportes del panel con los pernos de ajuste de la puerta.



7. Sujete el panel a la puerta de alimentos frescos en cuatro lugares utilizando el equipamiento indicado a continuación. No ajuste los tornillos. Los tornillos deben ajustarse después de la alineación de los paneles

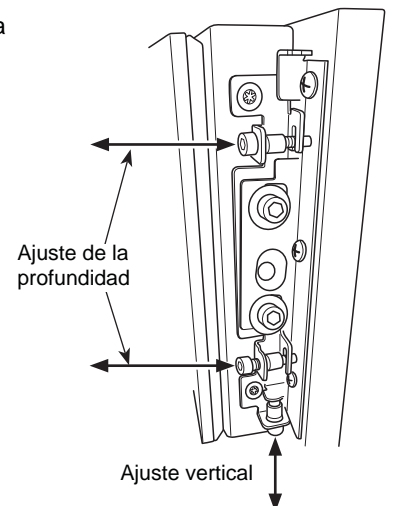


8. Desplace el panel de lado a lado para asegurar que no haya espacios desparejos respecto de los muebles de cocina sobre ambos lados.



Ajuste un tornillo por soporte. Los otros tornillos se ajustarán al final del proceso de alineación.

9. Utilice una llave allen para ajustar la profundidad y altura del panel de la puerta de alimentos frescos para que quede alineado con los muebles de cocina adyacentes. Debe haber un espacio mínimo de 1/8" entre el panel y los muebles de cocina adyacentes.

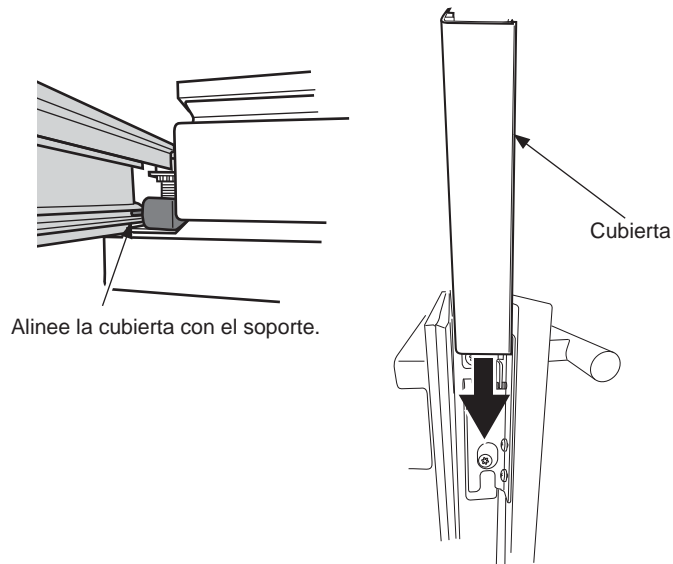


Instrucciones de Instalación

INSTRUCCIONES DE INSTALACIÓN PARA UNIDADES MÚLTIPLES (cont.)

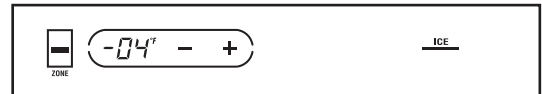
PASO 17 INSTALE LOS PANELES DE LAS PUERTAS Y CAJONES (cont.)

10. Repita los pasos 5-9 para el cajón del freezer.
11. Repita los pasos 5-9 para el cajón adaptable.
12. Ajuste todos los tornillos cuando haya comprobado la alineación correcta del panel.
13. Coloque la cubierta para que no se vea el equipamiento de ajuste del panel.
14. Instale las tapas de la cubierta para cubrir los extremos de misma.

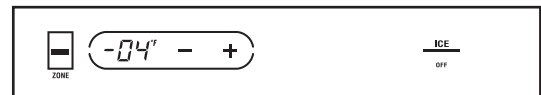


PASO 18 ENCIENDA LA MÁQUINA DE HACER HIELO

- Presione el indicador de ZONE (Zona) en la tecla de control dos veces para seleccionar el cajón del freezer. Aparecerá el ícono ICE (Hielo) en el lado derecho del control. Aparecerá una línea debajo de ICE (Hielo) que mostrará que la máquina de hacer hielo está en ON (Encendido)
- Asegúrese de que nada interfiera con la extensión del brazo indicador.
- Descarte el primer balde lleno de cubos de hielo.



- Para apagar la máquina de hacer hielo, presione el ícono ICE (Hielo). La palabra OFF (Apagar) aparece debajo de ICE (Hielo), indicando que la máquina de hacer hielo está en OFF (Apagar).



Notas

Notas

Notas

NOTA: Al realizar las instalaciones descritas en este libro, se deberán usar anteojos o gafas de seguridad..

NOTA: Monogram se esfuerza de forma constante para mejorar sus productos. Por lo tanto, los materiales, el aspecto y las especificaciones están sujetos a cambios sin aviso previo.



MONOGRAM