

# MONOGRAM 24" FULLY INTEGRATED DISHWASHER ZDT925SINII



## ADVANCED WASH SYSTEM

Designed to achieve the ultimate clean, this advanced wash system with over 90 powerful jets delivers complete washing coverage to every corner of the dishwasher

## THIRD RACK

Convenient and adjustable, this expansive third rack easily accommodates an entire flatware collection, plus carving knives, soup ladles and other cooking/serving tools for the ultimate clean

## 42 DBA\* QUIET OPERATION

Is made possible by advanced sound-absorbing materials and a smooth-running motor

## HARD FOOD DISPOSER

Designed to maintain a kitchen's cleanliness and efficiency, the hard food disposer with stainless steel blades grinds food into tiny particles that wash away with ease

## DEEP CLEAN SILVERWARE JETS

Powerful jets blast away stuck-on food for silverware that's always spotless

## BOTTLE JETS

Hard-to-reach areas inside tall items get completely clean with four dedicated jets integrated into the upper rack that shower water deep inside for the ultimate clean

## LED LIGHTING

Illuminates the entire interior, leaving no question as to whether or not dishes have been cleaned

## MAX DRY

This precise and efficient drying system delivers beautifully dry dishes every time and is perfect for hard-to-dry items like your favorite champagne flutes

## CABINET DEPTH INSTALLATION

Customize this appearance with a panel to match the décor of your kitchen - true flush capable, even with inset cabinets

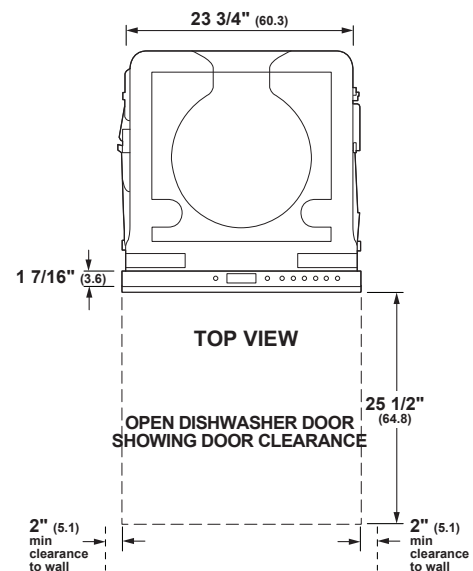
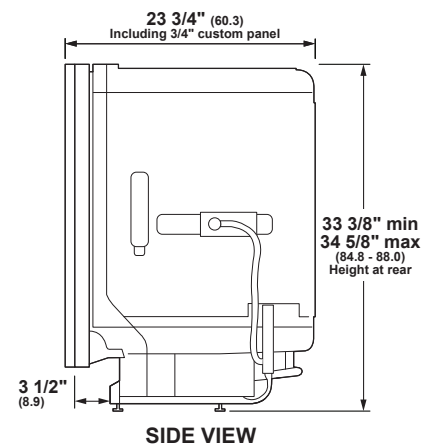
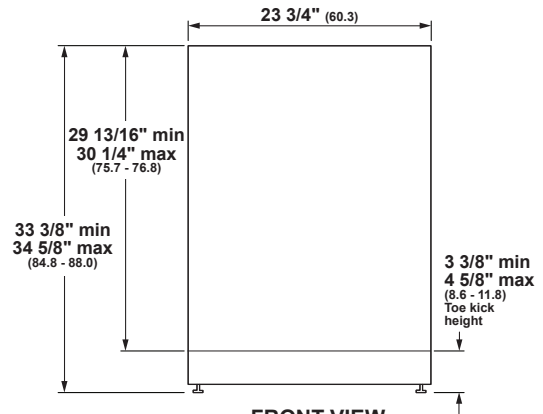
\*Based on results from the base model ZDT925SSNSS.



**SPECIFICATIONS**

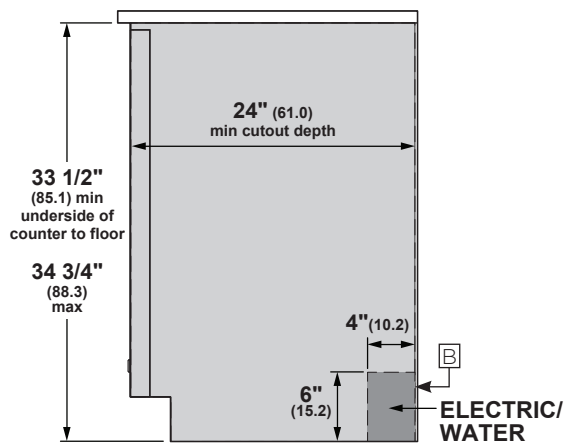
Overall Width	23 3/4" (60.3 cm)
Overall Height	33 3/8" (84.8 cm) Min 34 5/8" (88.0 cm) Max
Overall Depth	23 3/4" (60.3 cm) including 3/4" custom panel
Door Clearance	25 1/2" (64.8 cm)
Overall Dishwasher Capacity	16 Place Settings
Minimum Cabinet Width	24" (61 cm)
Minimum Cabinet Depth	24" (61 cm)
Cutout Width	24" (61 cm)
Cutout Height	33 1/2" (85.1 cm) Min 34 3/4" (88.3 cm) Max
Electrical Requirements	10.2 A
Hose Length	No more than 12' (3.7 m)
Voltz/Hertz/Amps	115 V, 60 Hz, 15 or 20 amp circuit
Shipping Weight	119 lb (54 kg)

**OVERALL DIMENSIONS**

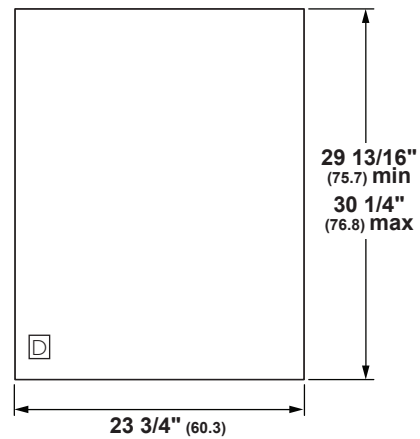


Dimensions in parentheses are in centimeters unless otherwise noted. Actual product dimensions may vary due to manufacturing tolerances.

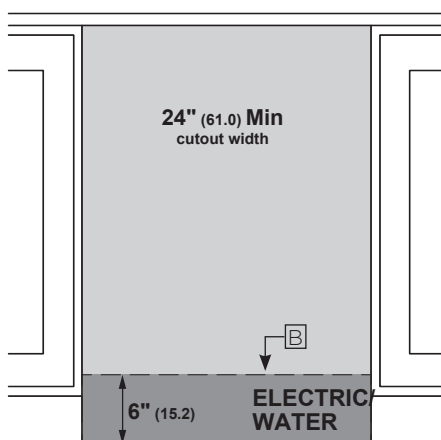
### FLUSH CUTOUT INSTALLATION



### CUSTOM PANEL



### INSTALLATION CUTOUT FRONT VIEW

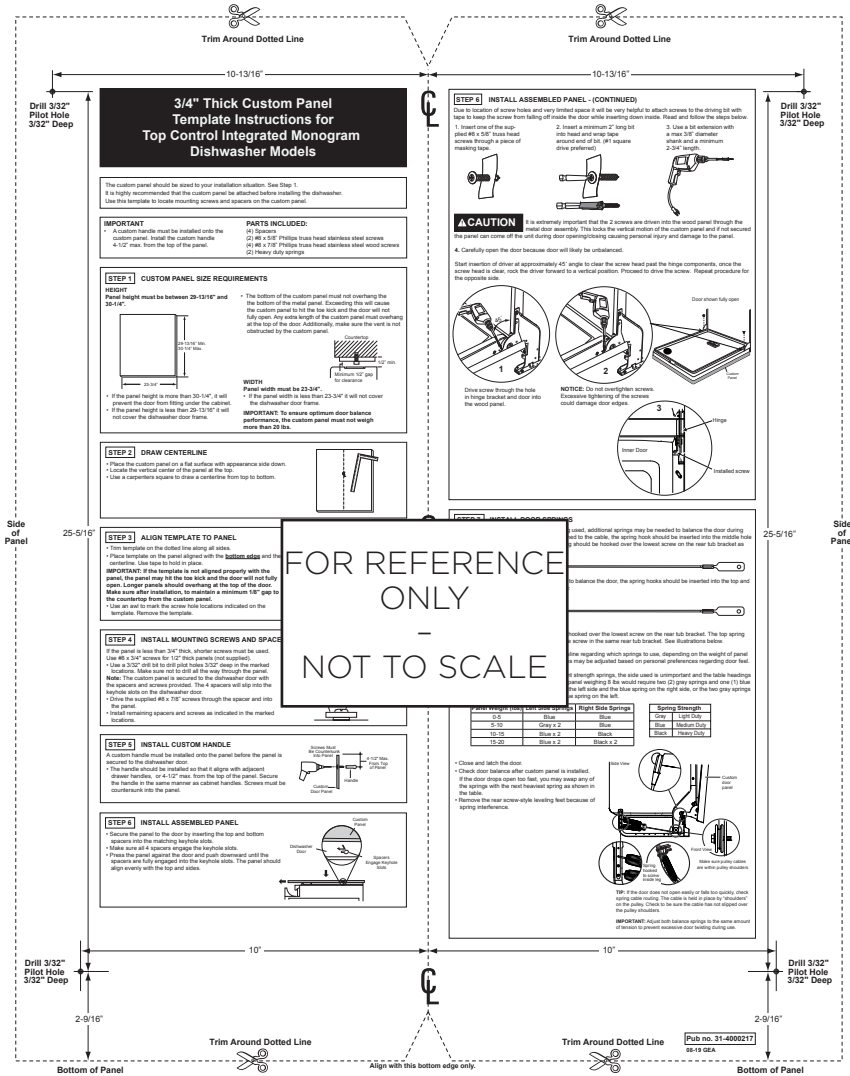


### NOTES

- A** The dishwasher drain hose must be no more than 12 feet in length for proper drainage.
- B** Electrical connections are at the right front of the dishwasher and water connections are on the left. The hot water line should extend forward 30" to 40" from the rear wall. The electrical must extend forward at least 24" to reach the junction box.
- C** To prevent siphoning, an air gap or high drain loop must be used.
- D** A custom panel installation template (Part No. WD35X25996) is available from GE Parts and Accessories (US 800.626.2002, Canada 800.561.3344).

For more details, refer to the installation instructions for this product on Monogram.com. Dimensions in parentheses are in centimeters unless otherwise noted.

**CUSTOM DISHWASHER DOOR PANEL TEMPLATE**  
**GE PART NO. WD35X25996**



**SPECIAL NOTES**

- The custom panel and custom handle of your choice should be secured to the dishwasher before installation begins. A template with instructions and installation hardware is provided.
- For planning purposes, you may order the template in advance by calling 1.800.GE.CARES (1.800.423.2737) or by visiting our website at [GEAppliances.com](http://GEAppliances.com) in the United States.
- In Canada, call 1.800.561.3344 or visit [www.GEAppliances.ca](http://www.GEAppliances.ca). Order Part No. WD35X25996. Complete panel installation instructions are included on the template.
- Maximum panel weight is 20 LBS (9.1 kg).

CALL 1-800-626-2000

For a full-size panel template with complete panel installation instructions.