



# INSTALLATION INSTRUCTIONS

## **Monogram Drawer Microwave**

Para consultar una version en español de este manual de instrucciones, visite nuestro sitio de internet [Monogram.com](http://Monogram.com).

# Installation Instructions

Questions? Call (800) 444-1845 or Visit our website at : [monogram.com/contact](http://monogram.com/contact)

## BEFORE YOU BEGIN

Read these instructions completely and carefully.

**IMPORTANT** — Save these instructions for local inspector's use.

**IMPORTANT** — Observe all governing codes and ordinances.

- **Note to Installer** — Be sure to leave these instructions with the Consumer.
- **Note to Consumer** — Keep these instructions with your Owner's Manual for future reference.
- **Skill Level** — Installation of this appliance requires basic mechanical and electrical skills.
- Proper installation is the responsibility of the installer. Product failure due to improper installation is not covered under the warranty. See Owner's Manual for warranty information.

### IMPORTANT

Use this oven only for its intended purpose. Never use the oven for warming or heating a room. Prolonged use of the oven without proper ventilation can be hazardous.

### WARNING

If the information in this manual is not followed exactly, a fire or electrical shock may result that could cause property damage, personal injury or death.

### WARNING

To reduce the risk of tipping, the Drawer Microwave must be secured by a properly installed Anti-Tip block.

- This Drawer Microwave must be electrically grounded in accordance with local codes.
- Make sure the wall coverings and the cabinets around the Drawer Microwave can withstand the heat generated by the Drawer Microwave.

### WARNING

Never leave children alone or unattended in the area where a Drawer Microwave is in use. Never leave the drawer open when the microwave is unattended.

### WARNING

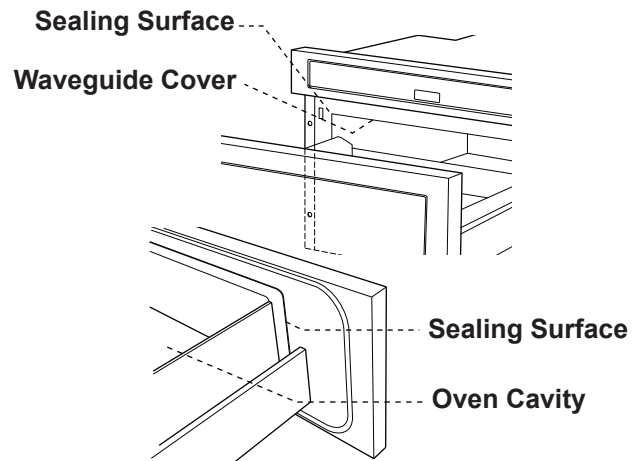
Stepping, leaning or sitting on the drawer may result in serious injuries and can also cause damage to the Drawer Microwave.

- **Do not use the Drawer Microwave as a storage space.** This creates a potentially hazardous situation.
- Check that the time-of-day is in the display. If not, touch **Stop/Clear** to prevent unintended use.

## UNPACK DRAWER MICROWAVE

Remove all packing materials from inside the Drawer Microwave. **DO NOT REMOVE THE WAVEGUIDE COVER**, which is located on the top of the Drawer Microwave.

Remove the feature sticker, if there is one. Check the drawer for any damage, such as misaligned or bent drawer, damaged drawer seals and sealing surfaces, broken or loose Drawer Microwave guides and dents inside the cavity or on the front side of the drawer. If there is any damage, do not operate the Drawer Microwave and contact your dealer.



## MODELS AVAILABLE:

ZWL1126SR

READ CAREFULLY. KEEP THESE INSTRUCTIONS

# Design Information

## CLEARANCES AND DIMENSIONS

- Dimensions that are shown in Figure 1 must be used for Standard Installation. Given dimensions provide minimum clearance. Locate electrical outlet in the shaded area in the upper left-hand corner of the cutout. See Figure 4.
- Contact surface must be solid and level. Pay special attention to the floor on which the Drawer Microwave will sit. The floor of the opening should be constructed of plywood strong enough to support the weight of the oven (about 100 pounds).
- Check location where the Drawer Microwave will be installed for proper electrical supply.
- Your oven can be built into a cabinet or wall by itself or under a gas, under an electric wall oven, or under selected cook top models.
- Be sure that the clearance of the floor between the wall oven and the drawer microwave is a minimum of 2-inches.
- The microwave interior will easily accommodate a 9" x 13" oblong dish or a bag of microwave popcorn.
- The oven can also be mounted flush. Please see instructions for flush mounting included with the Flush Mount Deflector vent.

## 24" DRAWER MICROWAVE MEASUREMENTS

- Figures 1 and 2 contain many drawer microwave measurements for reference when planning the drawer location.
- This drawer microwave can be installed below any electric or gas wall oven or under selected cook top models.
- Can also be installed using an electrical outlet in an adjacent cabinet within the areas where the provided electrical cord can reach. Power cord access hole in cabinet should be a minimum of 1 1/2" diameter hole and deburred of all sharp edges.

### IMPORTANT

- Always allow sufficient power cord length to the electrical outlet to prevent tension.
- Always check electrical codes for requirements.

## 24" DRAWER MICROWAVE MEASUREMENTS (cont)

Figure 1

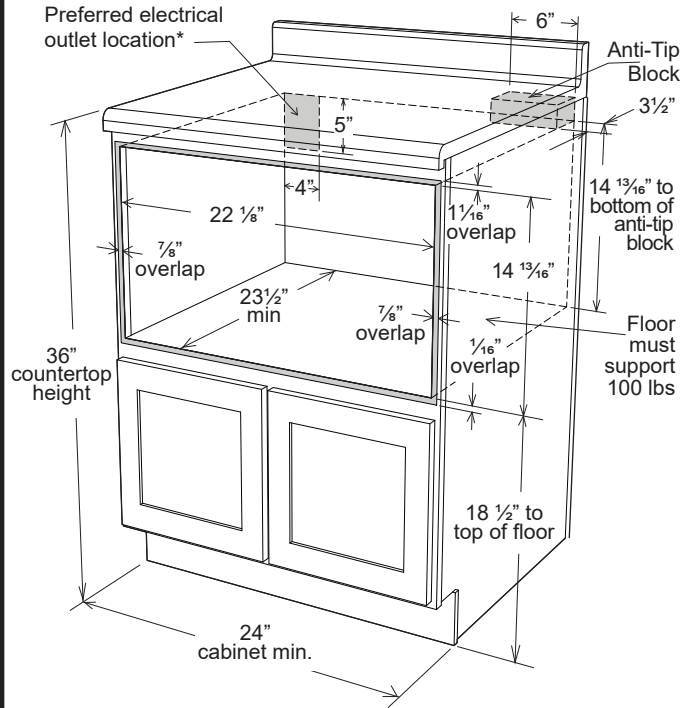
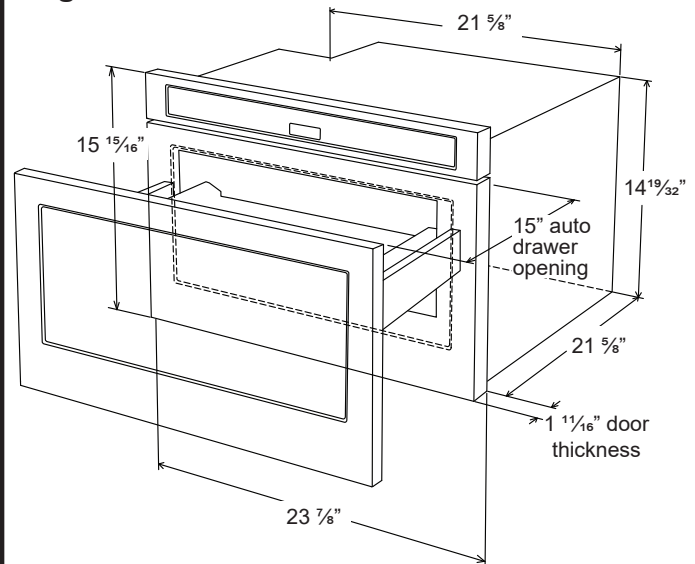


Figure 2



# Installation Instructions

## ANTI-TIP BLOCK

### NORMAL INSTALLATION STEPS

#### Anti -Tip BLOCK Installation Instructions

To reduce the risk of tipping of the drawer, the Anti-Tip block must be properly installed located 14 13/16-inches above the floor on which the Drawer Microwave will sit. The anti-tip block must be provided and pre-installed by the purchaser of the product or builder before install can be done. The anti-tip block is not provided by installer. See Figures 1 and 2. The Anti-Tip block prevents serious injury that might result from spilled hot liquids.

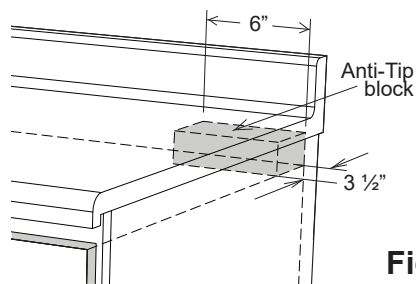


Figure 3

If the Drawer Microwave is ever moved to a different location, the Anti-Tip block must also be moved and installed. When installed to the wall, make sure that the screws completely penetrate the dry wall and are secured in wood or metal so that the block is totally stable. When fastening, be sure that the screws do not penetrate electrical wiring or plumbing.

## ELECTRIC OUTLET

The electrical requirements are a 120 volt 60 Hz, AC only, 15 amp. or more protected electrical supply. It is recommended that a separate circuit serving only this appliance be provided.

The drawer is equipped with a 3-prong grounding plug. It must be plugged into a wall receptacle that is properly installed and grounded. Should you only have a 2-prong outlet, have a qualified electrician install a correct wall receptacle.

**Note:** If you have any questions about the grounding or electrical instructions, consult a qualified electrician or service person.

\* Can also be installed using an electrical outlet in an adjacent cabinet within the area where the provided electrical cord can reach. Always check electrical codes for requirements.

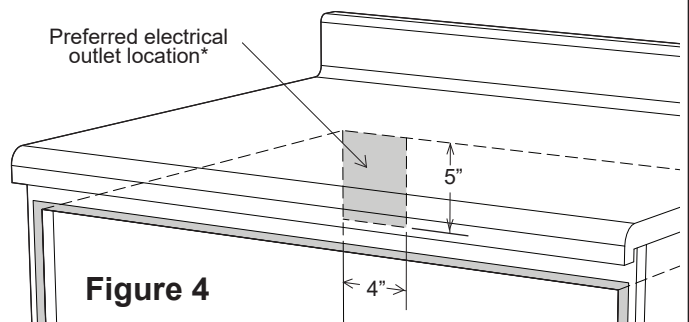


Figure 4

# Installation Instructions

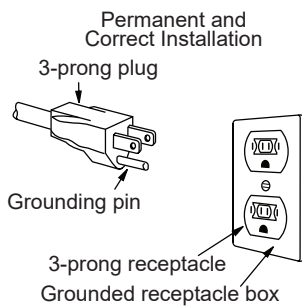
## GROUNDING INSTRUCTIONS

This appliance must be grounded. In the event of an electrical short circuit, grounding reduces the risk of electric shock by providing an escape wire for the electric current. This appliance is equipped with a cord having a grounding wire with a grounding plug. The plug must be plugged into an outlet that is properly installed and grounded. Consult a qualified electrician or serviceman if the grounding instructions are not completely understood, or if doubt exists as to whether the appliance is properly grounded.

### **⚠ WARNING**

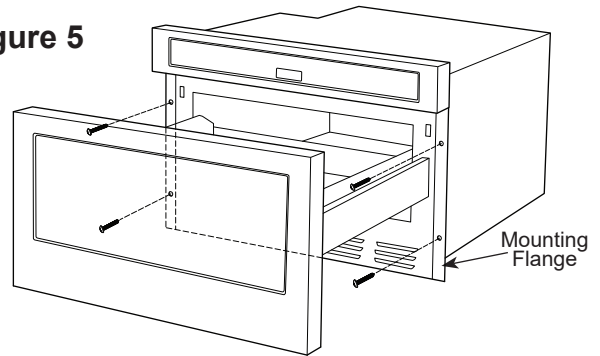
Improper use of the grounding plug can result in a risk of electric shock.

**Do not use an extension cord. If the power supply cord is too short, have a qualified electrician or serviceman install an outlet near the appliance.**



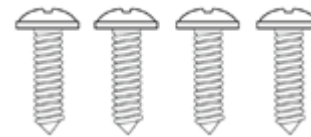
## DRAWER INSTALLATION

Figure 5



1. Place the drawer adjacent to the wall or cabinet opening. Plug the power supply cord into the electrical outlet.
2. Loop (do not tie) a 36" (91 cm) string around the power supply cord before the drawer is slid into place. This will keep the cord from falling behind the drawer.
3. Lift drawer into cabinet cutout using the opening as a grip. Carefully guide the drawer into the prepared opening.
4. As you slide the drawer back, pull the string so that the cord will lie on top of the drawer in a natural loop and avoid pinching the cord between the drawer and the wall.
5. When you are sure the cord is out of the way, slide the drawer  $\frac{3}{4}$  way back into the opening. Remove the string by pulling on one end of the loop.
6. Slide the drawer all the way until the mounting flange is flush with the face of the cabinet. See Figure 5.
7. Open the drawer. Using the 4 holes on the mounting flanges as a template, drill pilot holes the cabinet using a  $\frac{1}{16}$ " drill bit. See Figure 5.
8. Secure the drawer with the 4 screws supplied. It is recommended that the screws be hand tightened.

### Parts Supplied



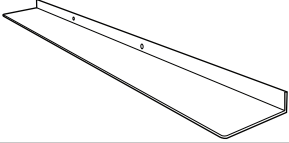
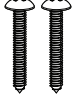
4 Screws

# Flush Mount Installation Instructions

## IMPORTANT NOTES TO THE INSTALLER

- Read all of the Installation Manual that is included with the Drawer Microwave before installing in the flush mount configuration.
- Observe all governing codes, ordinances, and safety instructions.
- Be sure to leave these installation instructions with the consumer.

## PARTS INCLUDED

Qty	Description	
1	Flush Mount Deflector Vent	
2	Mounting Screws	

1. Prepare cabinet opening as shown in Figures 6, 7, 8, and 9.

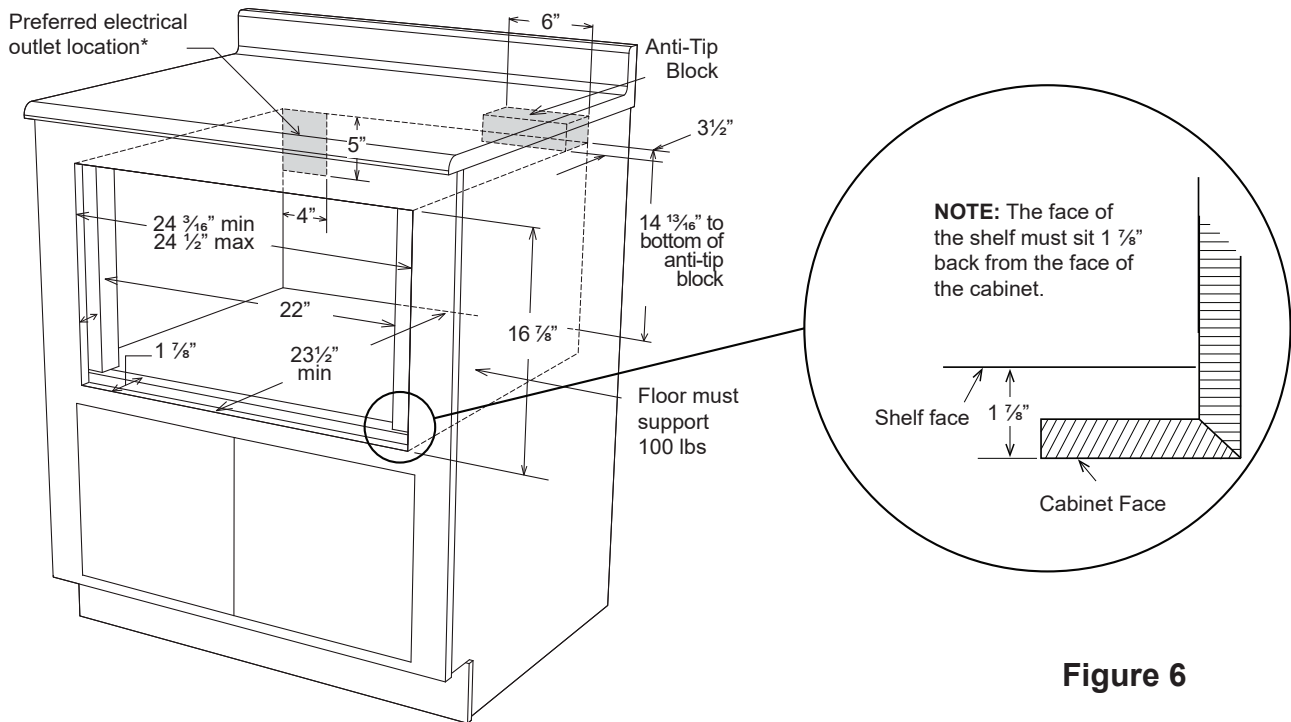
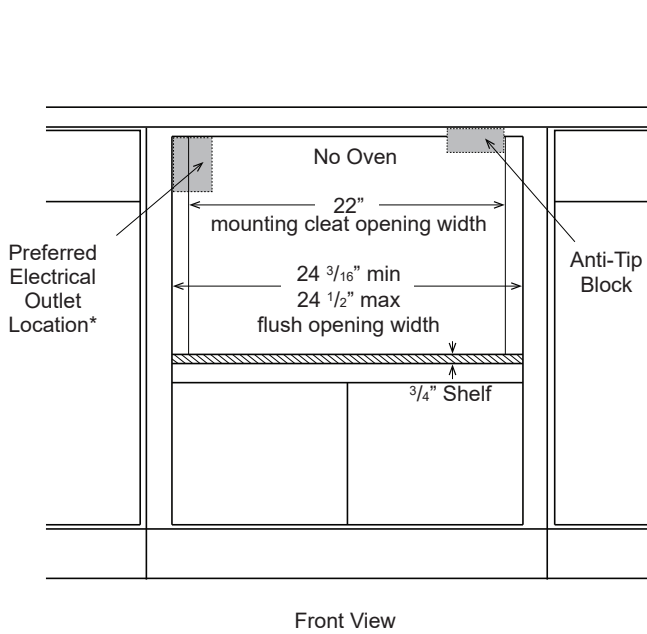
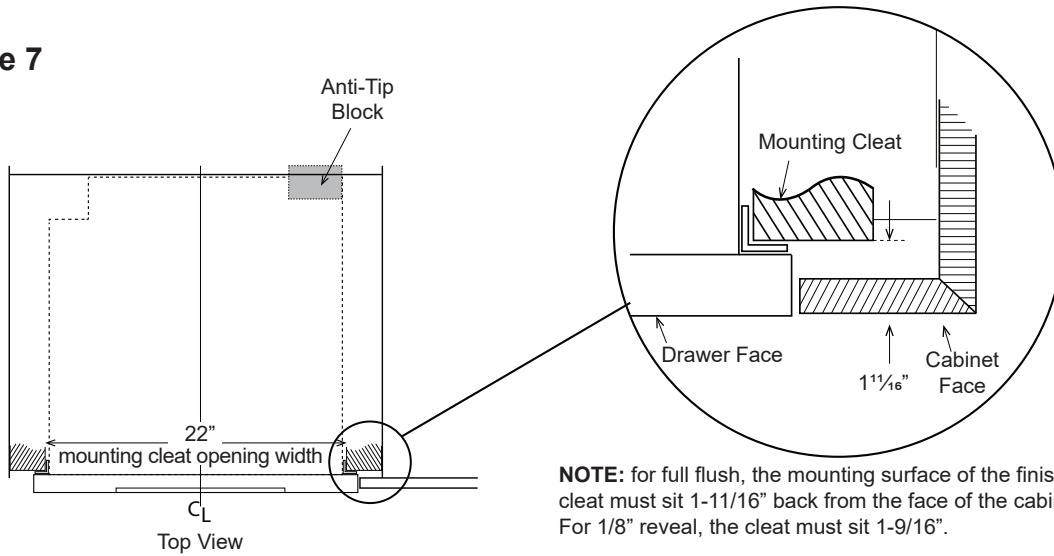


Figure 6

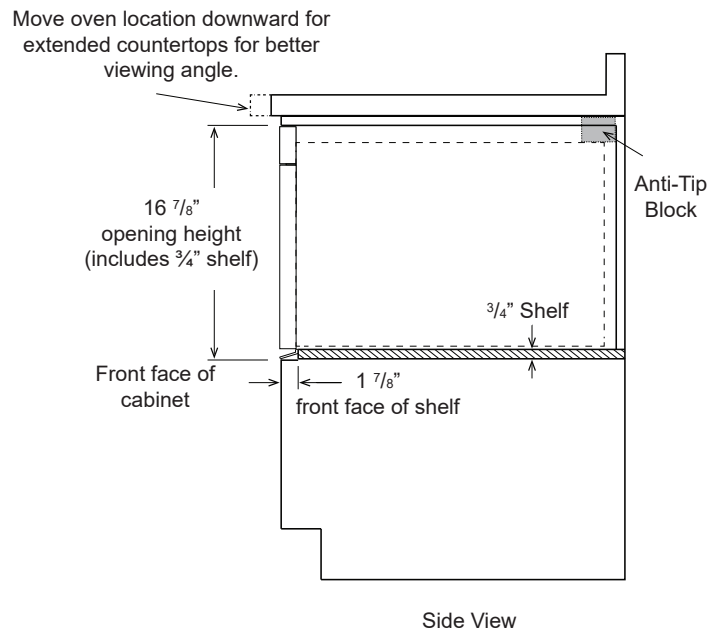
# Flush Mount Installation Instructions

1. Prepare cabinet opening as shown in Figures 6, 7, 8, and 9 (cont).

**Figure 7**



**Figure 8**

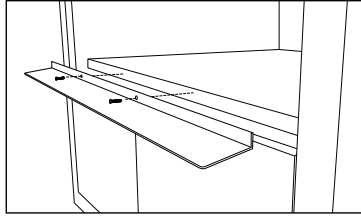


**Figure 9**

# Flush Mount Installation Instructions

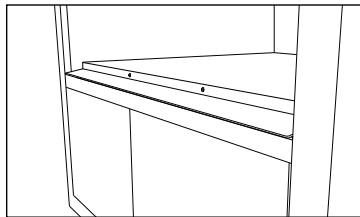
2. Install deflector as shown in Figures 10 and 11

Shelf detail showing the deflector vent during installation. Position deflector vent and mark holes. Pre drill using a 1/16" bit before mounting.



**Figure 10**

Shelf detail showing the deflector vent installed.

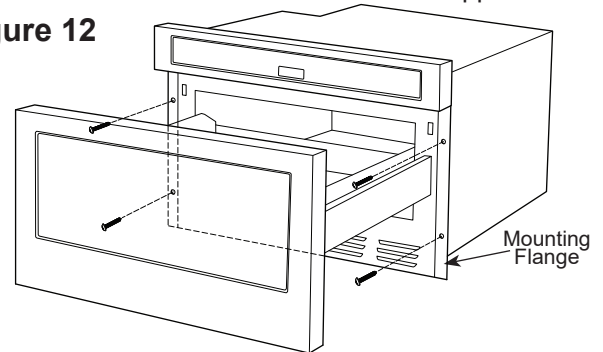


**Figure 11**

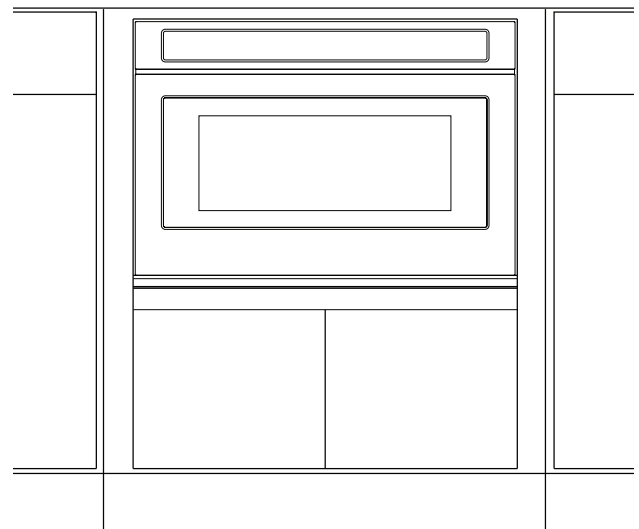
3. Place the drawer adjacent to the wall or cabinet. Plug the power supply cord into the electrical outlet.
4. Loop (do not tie) a 36" (91 cm) string around the power supply cord before the drawer is slid into place. This will keep the cord from falling behind the drawer.
5. Lift drawer into cabinet cutout using the opening as a grip. Carefully guide the drawer into the prepared opening.
6. As you slide the drawer back, pull the string so that the cord will lie on top of the drawer in a natural loop and avoid pinching the cord between the drawer and the wall.

7. When you are sure the cord is out of the way, slide the drawer 3/4 way back into the opening. Remove the string by pulling on one end of the loop.
8. Slide the drawer all the way back until the mounting flanges touch the cleats in the cabinet opening.
9. Open the drawer. Using the 4 holes on the mounting flanges as a template, drill pilot holes the cabinet using a 1/16" drill bit. See Figure 12.
10. Secure the drawer with the 4 screws supplied.

**Figure 12**



It is recommended that the screws be hand tightened.





# Notes

---

**31-7000165 Rev. 3**

04-23 GEA

Printed in China

