



# OWNER'S MANUAL

## **Drawer Microwave**

Para consultar una version en español de este manual de instrucciones, visite nuestro sitio de internet [Monogram.com](http://Monogram.com).

# TABLE OF CONTENTS

MODEL INFORMATION .....	2
CONSUMER SUPPORT .....	3
SAFETY INFORMATION .....	4
OVEN FEATURES .....	7
OPTIONAL ACCESSORIES .....	7
CONTROLS .....	7
POWER LEVEL .....	9
TIME FEATURES .....	10
COOK TIME .....	10
MULTI-STAGE COOKING .....	10
COOKING GUIDE FOR COOK TIME .....	11
TIME AND AUTO FEATURES .....	12
TIME DEFROST .....	12
WEIGHT DEFROST .....	12
DEFROSTING GUIDE .....	13
EXPRESS COOK .....	13
ADD 30 SEC .....	13
SENSOR FEATURES .....	14
HUMIDITY SENSOR .....	14
SENSOR POPCORN .....	14
SENSOR COOK .....	15
SENSOR REHEAT .....	15
OTHER FEATURES .....	16
MICROWAVE TERMS .....	18
CARE AND CLEANING .....	19
TROUBLESHOOTING .....	20
LIMITED WARRANTY .....	21

## MODEL INFORMATION

### MODEL NUMBERS

ZWL1126

---

### WRITE DOWN THE MODEL AND SERIAL NUMBERS

You'll find them on a label inside the oven.

These numbers are also on the Consumer Product Ownership Registration Card packed separately with your appliance

**Please write these numbers here:**

\_\_\_\_\_

Model Number

\_\_\_\_\_

Serial Number

Use these numbers in any correspondence or service calls concerning your appliance.

# CONSUMER SUPPORT

## MONOGRAM WEBSITE

Have a question or need assistance with your appliance? Try the Monogram website 24 hours a day, any day of the year! You can also shop for more great Monogram products and take advantage of all our on-line support services designed for your convenience. In the US: [monogram.com](http://monogram.com)

---

## REGISTER YOUR APPLIANCE

Register your new appliance on-line at your convenience! Timely product registration will allow for enhanced communication and prompt service under the terms of your warranty, should the need arise. You may also mail in the pre-printed registration card included in the packing material. In the US: [monogram.com/register](http://monogram.com/register)

---

## SCHEDULE SERVICE

Expert Monogram repair service is only one step away from your door. To request service, call (800) 444-1845 or visit our website at [monogram.com/contact](http://monogram.com/contact)

---

## EXTENDED WARRANTIES

Purchase a Monogram extended warranty and learn about special discounts that are available while your warranty is still in effect. You can purchase it on-line anytime. Monogram Service will still be there after your warranty expires. In the US: [monogram.com/extended-warranty](http://monogram.com/extended-warranty)

---

## REMOTE CONNECTIVITY

For assistance with wireless network connectivity (for models with remote enable), visit our website at [monogram.com/connect](http://monogram.com/connect)

---

## PARTS AND ACCESSORIES

Individuals qualified to service their own appliances can have parts or accessories sent directly to their homes (VISA, MasterCard and Discover cards are accepted). Order on-line today 24 hours every day. In the US: [monogram.com/parts](http://monogram.com/parts)

**Instructions contained in this manual cover procedures to be performed by any user. Other servicing generally should be referred to qualified service personnel. Caution must be exercised, since improper servicing may cause unsafe operation.**

---

## CONTACT US

If you are not satisfied with the service you receive from Monogram, contact us on our website with all the details including your phone number, or write to:

In the US: General Manager, Customer Relations | Monogram Appliances, Appliance Park | Louisville, KY 40225  
[monogram.com/contact](http://monogram.com/contact)

# IMPORTANT SAFETY INFORMATION

## READ ALL INSTRUCTIONS BEFORE USING THE APPLIANCE

**⚠ WARNING** To reduce the risk of burns, electric shock, fire, injury to persons, or exposure to excessive microwave energy:

When using electrical appliances, basic safety precautions should be followed, including the following:

- Read all instructions before using this appliance.
- Read and follow the specific precautions in the PRECAUTIONS TO AVOID POSSIBLE EXPOSURE TO EXCESSIVE MICROWAVE ENERGY section.
- Use this appliance only for its intended use as described in this manual. Do not use corrosive chemicals or vapors in this appliance. This microwave oven is specifically designed to heat, dry or cook food, and is not intended for laboratory or industrial use.
- This appliance should be serviced only by qualified service personnel. Contact nearest authorized service facility for examination, repair, or adjustment.

### INSTALLATION

- Install or locate this appliance only in accordance with the provided installation instructions.
- This appliance must be grounded. Connect only to a properly grounded outlet. See the GROUNDING INSTRUCTIONS section.
- Do not operate this appliance if it has a damaged power cord or plug, if it is not working properly, or if it has been damaged or dropped.
- Keep power cord away from heated surfaces.
- Do not immerse power cord or plug in water.
- Do not cover or block any opening on the appliance.
- Do not store this appliance outdoors. Do not use this product near water - for example, in a wet basement, near a swimming pool, or in a similar location.
- Do not mount over a sink.

### TO REDUCE THE RISK OF FIRE IN THE CAVITY:

- Do not overcook food. Carefully attend appliance when paper, plastic or other combustible materials are placed inside the oven while cooking.
- Remove wire twist-ties and metal handles from paper or plastic containers before placing them in the oven.
- If materials inside the oven ignite, keep the oven door closed, turn the oven off and disconnect the power cord, or shut off power at the fuse or circuit breaker panel.
- Do not store any materials in the oven when not in use. Do not leave paper products, cooking utensils, or food in the cavity when not in use. All racks should be removed from oven when not in use.
- Do not operate the microwave feature without food in the oven.

### TO REDUCE THE RISK OF BURNS

- Be careful when opening containers of hot food. Use pot holders and direct steam away from face and hands.
- Vent, pierce, or slit containers, pouches or plastic bags to prevent build-up of pressure.
- Be careful when touching the turntable, door, rack or walls of the oven which may become hot during use.
- **HOT CONTENTS CAN CAUSE SEVERE BURNS. DO NOT ALLOW CHILDREN TO USE THE MICROWAVE.** Use caution when removing hot items

## READ AND SAVE THESE INSTRUCTIONS

# IMPORTANT SAFETY INFORMATION

## READ ALL INSTRUCTIONS BEFORE USING THE APPLIANCE

### **▲ WARNING**

#### **OPERATING**

- As with any appliance, close supervision is necessary when used by children.
- Do not operate the oven without the turntable in place. The turntable must be unrestricted so it can turn.
- Make sure all cookware used in your microwave oven is suitable for microwaving. Most glass casseroles, cooking dishes, measuring cups, custard cups, pottery or china dinnerware which does not have metallic trim or glaze with a metallic sheen can be used in compliance with cookware manufacturers' recommendations.
- Do not store anything directly on top of the microwave surface when the microwave is in operation.
- Some products such as whole eggs and sealed containers - for example, closed jars - are able to explode and should not be heated in the microwave oven.
- Do not overcook potatoes. They could dehydrate and catch fire.
- Do not cover any other part of the oven with metal foil. This will cause overheating of the oven.
- Cook meat and poultry thoroughly—meat to at least an INTERNAL temperature of 160°F and poultry to at least an INTERNAL temperature of 180°F. Cooking to these temperatures usually protects against foodborne illness.
- This oven is not approved or tested for marine use.

#### **CLEANING**

- Keep the oven free from grease buildup.
- Do not clean with metal scouring pads. Pieces can burn off the pad and touch electrical parts involving risk of electric shock.
- When cleaning surfaces of door and oven that comes together on closing the door, use only mild, nonabrasive soaps, or detergents applied with a clean sponge or soft cloth. Rinse well.

#### **SUPER HEATED WATER**

- Liquids, such as water, coffee, or tea, are able to be overheated beyond the boiling point without appearing to be boiling. Visible bubbling or boiling when the container is removed from the microwave oven is not always present. **THIS COULD RESULT IN VERY HOT LIQUIDS SUDDENLY BOILING OVER WHEN THE CONTAINER IS DISTURBED OR A SPOON OR OTHER UTENSIL IS INSERTED INTO THE LIQUID.**
- To reduce the risk of injury to persons:
  - Do not overheat the liquid.
  - Stir the liquid both before and halfway through heating it.
  - Do not use straight-sided containers with narrow necks.
  - After heating, allow the container to stand in the microwave oven for a short time before removing the container.
  - Use extreme care when inserting a spoon or other utensil into the container.

**READ AND SAVE THESE INSTRUCTIONS**

# IMPORTANT SAFETY INFORMATION

## READ ALL INSTRUCTIONS BEFORE USING THE APPLIANCE

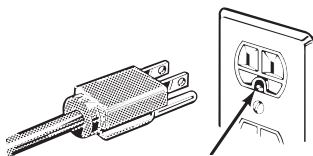
### PRECAUTIONS TO AVOID POSSIBLE EXPOSURE TO EXCESSIVE MICROWAVE ENERGY

- (a) **Do Not Attempt** to operate this oven with the door open since open-door operation can result in harmful exposure to microwave energy. It is important not to defeat or tamper with the safety interlocks.
- (b) **Do Not Place** any object between the oven front face and the door or allow soil or cleaner residue to accumulate on sealing surfaces.
- (c) **Do Not Operate** the oven if it is damaged. It is particularly important that the oven door close properly and that there is no damage to the:
- (1) door (bent),
  - (2) hinges and latches (broken or loosened),
  - (3) door seals and sealing surfaces.
- (d) **The Oven Should Not** be adjusted or repaired by anyone except properly qualified service personnel.

### GROUNDING INSTRUCTIONS

#### **⚠ WARNING**

Improper use of the grounding plug can result in a risk of electric shock.



Ensure proper ground exists before use.

This appliance must be grounded. In the event of an electrical short circuit, grounding reduces the risk of electric shock by providing an escape wire for the electric current.

This appliance is equipped with a power cord having a grounding wire with a grounding plug. The plug must be plugged into an outlet that is properly installed and grounded.

Consult a qualified electrician or service technician if the **GROUNDING INSTRUCTIONS** are not completely understood, or if doubt exists as to whether the appliance is properly grounded.

If the outlet is a standard 2-prong wall outlet, it is your personal responsibility and obligation to have it replaced with a properly grounded 3-prong wall outlet.

Do not under any circumstances cut or remove the third (ground) prong from the power cord.

Do not use an extension cord. If the power cord is too short, have a qualified electrician or service technician install an outlet near the appliance.

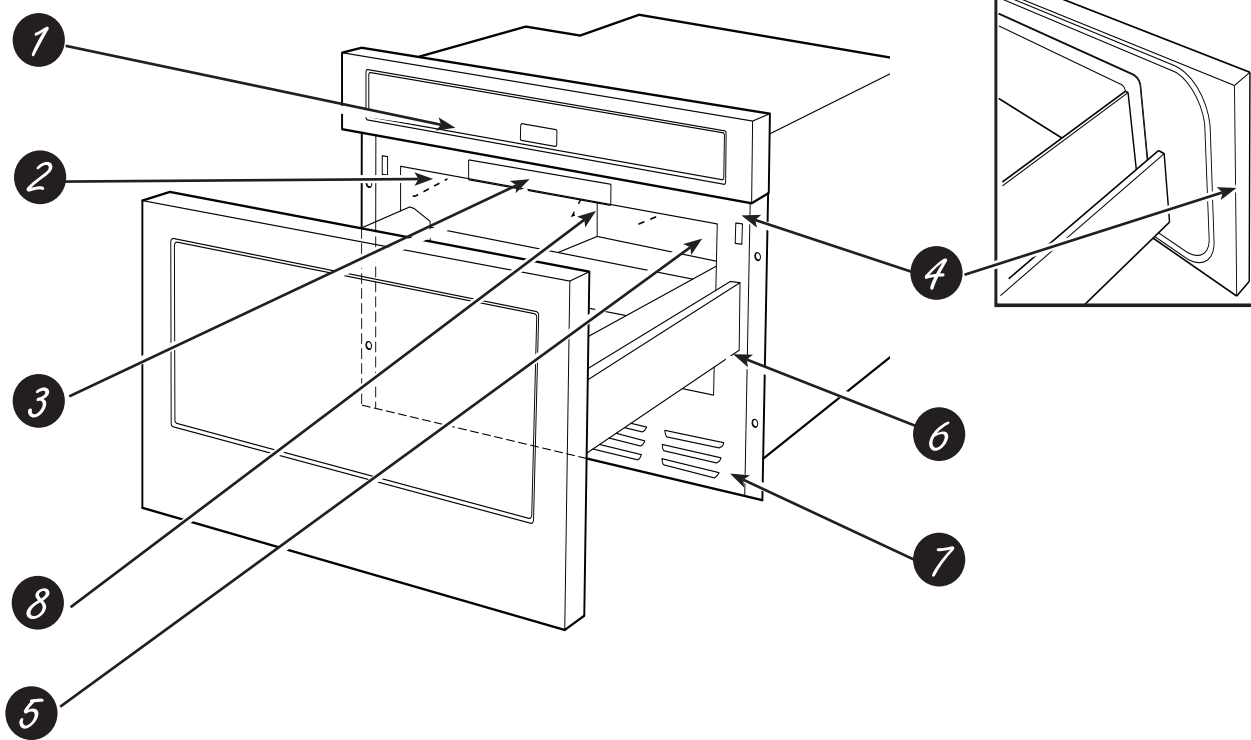
For best operation, plug this appliance into its own electrical outlet to prevent flickering of lights, blowing of fuse or tripping of circuit breaker.

#### **NOTICE: PACEMAKERS**

Most pacemakers are shielded from interference from electronic products, including microwaves. However, patients with pacemakers may wish to consult their physicians if they have concerns.

## READ AND SAVE THESE INSTRUCTIONS

# FEATURES



## Oven Features

### 1 Control Panel

The door must be securely latched for the microwave to operate.

### 2 Waveguide cover DO NOT REMOVE.

### 3 Drawer Microwave Menu Label.

### 4 Drawer Sealing Surfaces.

### 5 Drawer Light.

### 6 Drawer Microwave Guides

### 7 Vent.

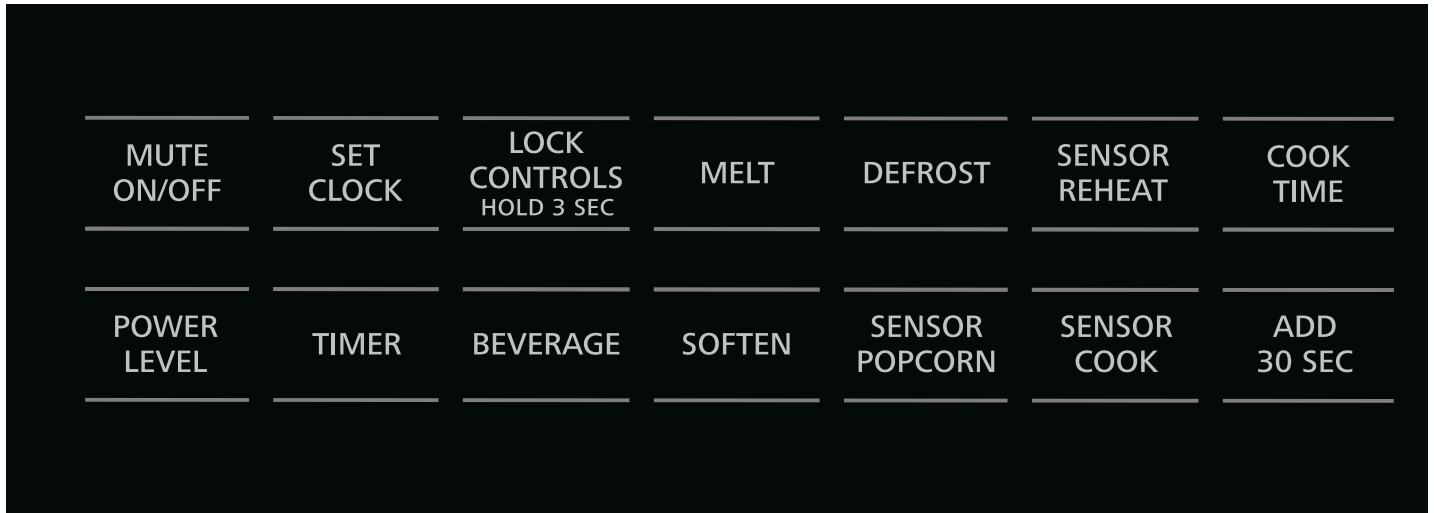
### 8 Name Plate.

Open the Drawer Microwave fully. The label is beyond the back wall of the microwave cavity facing up from the flat surface.

# OVEN FEATURES

## CONTROLS

You can microwave by time or with the convenience features.



Control buttons' functions are explained on the following pages.



# OVEN FEATURES

## POWER LEVEL

The power level may be entered or changed immediately after entering the feature time for **Cook Time** the power level may also be changed during the cooking.

1. Press **Cook Time** and enter cooking time.
2. Press the **Power Level** button and select power level 1-10.
3. Press the **Start/Pause** button to start cooking.

Variable power levels add flexibility to microwave cooking. The power levels on the microwave oven can be compared to the surface units on a range. Each power level gives you microwave energy a certain percent of the time. Power level 7 is microwave energy 70% of the time. Power level 3 is energy 30% of the time. Most cooking will be done on Power level 10 which gives you 100% power.

Power Level 10 will cook faster but food may need more frequent stirring, rotating or turning over. A lower setting will cook more evenly and need less stirring or rotating of the food.

Some foods may have better flavor, texture or appearance if one of the lower settings is used. Use a lower power level when cooking foods that have a tendency to boil over, such as scalloped potatoes.

Rest periods (when the microwave energy cycles off) give time for the food to “equalize” or transfer heat to the inside of the food. An example of this is shown with power level 3—the defrost cycle. If microwave energy did not cycle off, the outside of the food would cook before the inside was defrosted.

Here are some examples of uses for various power levels:

**Power Level 10:** Fish, bacon, vegetables, heating liquids.

**Med-High 7:** Gentle cooking of meat and poultry; baking casseroles and reheating.

**Medium 5:** Slow cooking and tenderizing for stews and less tender cuts of meat.

**Low 2 or 3:** Defrosting; simmering; delicate sauces.

**Warm 1:** Keeping food warm; softening butter.

# TIME FEATURES

## COOK TIME

Allows you to microwave for any time up to 99 minutes and 99 seconds.

1. Press **Cook Time**.
2. Enter cooking time.
3. The power level is automatically set to 10. If you want to reduce it, press **Power Level** and select a level from 1 to 9.
4. Press **Start/Pause**.

You may open the door during Cook Time to check the food. Close the door and press Start/Pause to resume cooking.

---

## MULTI-STAGE COOKING

At most 2 stages can be set for cooking. In multi-stage cooking, if one stage is defrosting, then defrosting shall be placed at the first stage automatically.

**NOTE:** Auto cooking cannot work in the multi-stage cooking.

Example: if you want to cook with 80% microwave power for 5 minutes + 60% microwave power for 10 minutes. The cooking steps are as following:

1. Press **Time Cook** once, then press "5", "0", "0" to set the cooking time;

2. Press **Power** once, then press "8" to select 80% microwave power.
3. Press **Time Cook** once, then press "1", "0", "0", "0" to set the cooking time;
4. Press **Power** once, then press "6" to select 60% microwave power.
5. Press **Start/Pause**.

# TIME FEATURES

## COOKING GUIDE FOR COOK TIME

**NOTE:** Use power level 10 (High) unless otherwise noted.

Vegetable	Amount	Time	Comments
<b>Asparagus</b> (fresh spears) (frozen spears)	1 lb. 10-oz. package	4 to 7 min., Med-High (7) 4 to 7 min.	In 1¼-qt. oblong glass baking dish, place 1/4 cup water. Rotate dish after half of time. In 1-qt. casserole.
<b>Beans</b> (fresh green) frozen green) (frozen lima)	1 lb. cut in half 10-oz. package 10-oz. package	10 to 14 min. 3 to 5 min. 3 to 5 min.	In 1¼-qt. casserole, place 1/2 cup water. In 1-qt. casserole, place 2 tablespoons water. In 1-qt. casserole, place 1/4 cup water.
<b>Beets</b> (fresh, whole)	1 bunch	16 to 21 min.	In 2-qt. casserole, place 1/2 cup water.
<b>Broccoli</b> (fresh cut) (fresh spears) (frozen, chopped) (frozen spears)	1 bunch (1¼ to 1½ lbs.) 1 bunch (1¼ to 1½ lbs.) 10-oz. package 10-oz. package	5 to 9 min. 7 to 10 min. 4 to 7 min. 4 to 7 min.	In 2-qt. casserole, place 1/2 cup water. In 2-qt. oblong glass baking dish, place 1/4 cup water. Rotate dish after half of time. In 1-qt. casserole. In 1-qt. casserole, place 3 tablespoons water.
<b>Cabbage</b> (fresh) (wedges)	1 medium head (about 2 lbs.)	6 to 9 min. 5 to 9 min.	In 1¼- or 2-qt. casserole, place 1/4 cup water. In 2- or 3-qt. casserole, place 1/4 cup water.
<b>Carrots</b> (fresh, sliced) (frozen)	1 lb. 10-oz. package	4 to 8 min. 3 to 7 min.	In 1¼-qt. casserole, place 1/4 cup water. In 1-qt. casserole, place 2 tablespoons water.
<b>Cauliflower</b> (flowerets) (fresh, whole) (frozen)	1 medium head 1 medium head 10-oz. package	7 to 10 min. 7 to 14 min. 3 to 7 min.	In 2-qt. casserole, place 1/2 cup water. In 2-qt. casserole, place 1/2 cup water. In 1-qt. casserole, place 2 tablespoons water.
<b>Corn</b> (frozen kernel)	10-oz. package	2 to 6 min.	In 1-qt. casserole, place 2 tablespoons water.
<b>Corn on the cob</b> (fresh) (frozen)	1 to 5 ears 1 ear 2 to 6 ears	2-1/4 to 4 min. per ear 3 to 6 min. 2 to 3 min. per ear	In 2-qt. oblong glass baking dish, place corn. If corn is in husk, use no water; if corn has been husked, add 1/4 cup water. Rearrange after half of time. Place in 2-qt. oblong glass baking dish. Cover with vented plastic wrap. Rearrange after half of time.
<b>Mixed vegetables</b> (frozen)	10-oz. package	5 to 7 min.	In 1-qt. casserole, place 3 tablespoons water.
<b>Peas</b> (fresh, shelled) (frozen)	2 lbs. unshelled 10-oz. package	7 to 9 min. 2 to 6 min.	In 1-qt. casserole, place 1/4 cup water. In 1-qt. casserole, place 2 tablespoons water.
<b>Potatoes</b> (fresh, cubed, white) (fresh, whole, sweet or white)	4 potatoes (8 oz. each) 1 (8 oz.) 2 (8 oz. each) 3 4	7 to 9 min. 4 to 6 min. 7 to 9 min. 10 to 12 min. 14 to 16 min.	Peel and cut into 1 inch cubes. Place in 2-qt. casserole with 1/2 cup water. Stir after half of time. Pierce with cooking fork. Place in the oven, 1 inch apart, in circular arrangement. Let stand 5 minutes.
<b>Spinach</b> (fresh) (frozen, chopped and leaf)	10 to 16 oz. 10-oz. package	3 to 6 min. 3 to 6 min.	In 2-qt. casserole, place washed spinach. In 1-qt. casserole, place 3 tablespoons water.
<b>Squash</b> (fresh, summer and yellow) (winter, acorn or butternut)	1 lb. sliced 1 to 2 squash (about 1 lb. each)	5 to 9 min. 5 to 9 min.	In 1¼-qt. casserole, place 1/4 cup water. Cut in half and remove fibrous membranes. In 2-qt. oblong glass baking dish, place squash cut-side-down.

# TIME AND AUTO FEATURES

## TIME DEFROST

Time Defrost allows you to defrost for a selected length of time. See the Defrosting Guide for suggested times.

1. Press **Defrost** twice (display must show Time Defrost).
2. Enter defrosting time.
3. Press **Start/Pause**.

When the oven signals, turn food over and break apart or rearrange pieces for more even defrosting. Shield any warm areas with small pieces of foil. The oven will continue to defrost if you don't open the door and turn the food.

Power level is automatically set at 3, but can be changed. You can defrost small items quickly by raising the power level after entering the time. Power level 7 cuts the total defrosting time in about half; power level 10 cuts the total time to approximately 1/3. However, food will need more frequent attention than usual.

A dull thumping noise may be heard during defrosting. This is normal when oven is not operating at High power.

### Defrosting Tips

- Foods frozen in paper or plastic can be defrosted in the package. Closed packages should be slit, pierced or vented AFTER food has partially defrosted. Plastic storage containers should be partially uncovered.
- Family-size, prepackaged frozen dinners can be defrosted and microwaved. If the food is in a foil container, transfer it to a microwave-safe dish.
- For more even defrosting of larger foods, such as roasts, use Defrost Weight. Be sure large meats are completely defrosted before cooking.
- Foods that spoil easily should not be allowed to sit out for more than one hour after defrosting. Room temperature promotes the growth of harmful bacteria.
- When defrosted, food should be cool but softened in all areas. If still slightly icy, return to the microwave very briefly, or let it stand for a few minutes.

## WEIGHT DEFROST

Weight defrost automatically sets the defrosting times and power levels to give even defrosting results for meats, poultry and fish weighing up to six pounds.

1. Press **Defrost** (display must show Weight Defrost).
2. Using the conversion guide, enter food weight. For example, press pads 1 and 2 for 1.2 pounds (1 pound, 3 ounces).
3. Press **Start/Pause**.

There is a cooking guide located on the inside front of the oven.

- Remove meat from package and place on microwave-safe dish.
- When the oven signals, turn the food over. Remove defrosted meat or shield warm areas with small pieces of foil.
- After defrosting, most meats need to stand 5 minutes to complete defrosting. Large roasts should stand for about 30 minutes.

If the weight of food is stated in pounds and ounces, the ounces must be converted to tenths (.1) of a pound.	
Ounces	Pounds
1–2	.1
3	.2
4–5	.3
6–7	.4
8	.5
9–10	.6
11	.7
12–13	.8
14–15	.9

# TIME AND AUTO FEATURES

DEFROSTING GUIDE		
Food	Time	Comments
<b>Breads, Cakes</b> Bread, buns or rolls (1 piece) Sweet rolls (approx. 12 oz.)	1/4 min. 1 to 3 min.	Rearrange after half of time.
<b>Fish and Seafood</b> Fillets, frozen (1 lb.) Shellfish, small pieces (1 lb.)	6 to 9 min. 3 to 7 min.	Place block in casserole. Turn over and break up after first half of time.
<b>Fruit</b> Plastic pouch—1 or 2 (10-oz. package)	2 to 5 min.	
<b>Meat</b> Bacon (1 lb.) Franks (1 lb.)  Ground meat (1 lb.) Roast: beef, lamb, veal, pork Steaks, chops and cutlets	4 to 8 min. 4 to 8 min.  7 to 9 min. 7 to 9 min. per lb. 4 to 8 min. per lb.	Place unopened package in oven. Let stand 5 minutes after defrosting. Place unopened package in oven. Microwave just until franks can be separated. Let stand 5 minutes, if necessary, to complete defrosting. Turn meat over after first half of time. Use power level Warm (1). Place unwrapped meat in cooking dish. Turn over after first half of time and shield warm areas with foil. After second half of time, separate pieces with table knife. Let stand to complete defrosting.
<b>Poultry</b> Chicken, broiler-fryer, cut up (2 <sup>1</sup> / <sub>2</sub> to 3 lbs.)  Chicken, whole (2 <sup>1</sup> / <sub>2</sub> to 3 lbs.)  Cornish hen  Turkey breast (4 to 6 lbs.)	14 to 19 min.  22 to 26 min.  7 to 12 min. per lb.  3 to 8 min. per lb.	Place wrapped chicken in dish. Unwrap and turn over after first half of time. After second half of time, separate pieces and place in cooking dish. Microwave 2 to 4 minutes more, if necessary. Let stand a few minutes to finish defrosting. Place wrapped chicken in dish. After first half of time, unwrap and turn chicken over. Shield warm areas with foil. To complete defrosting, run cool water in cavity until giblets can be removed. Place unwrapped hen in oven breast-side-up. Turn over after first half of time. Run cool water in cavity until giblets can be removed. Place unwrapped breast in microwave-safe dish breast-side-down. After first half of time, turn breast-side-up and shield warm areas with foil. Defrost for second half of time. Let stand 1 to 2 hours in refrigerator to complete defrosting.

## EXPRESS COOK

This is a quick way to set cooking time from 1-5 minutes.

Press one of the **Express Cook** pads (from 1-5) for 1-5 minutes of cooking at power level 10. For example, press the **2** pad for 2 minutes of cooking time.

The power level can be changed as time is counting down. Press **Power Level** and enter 1-10.

**NOTE:** Express Cook function pertains to pads 1-5 only.

## ADD 30 SEC

It will add 30 seconds to the time counting down each time the pad is pressed. Each touch will add 30 seconds, up to 99 minutes and 99 seconds.

The oven will start immediately when pressed.

# SENSOR FEATURES

## HUMIDITY SENSOR

The Sensor Features detect the increasing humidity released during cooking. The oven automatically adjusts the cooking time to various types and amounts of food.

Do not use the Sensor Features twice in succession on the same food portion—it may result in severely overcooked or burnt food. Be sure to let the oven cool down for 5-10 minutes before starting the next sensor cook.

If food is undercooked after the countdown, use Cook Time for additional cooking time.

- The proper containers and covers are essential for best sensor cooking.
- Always use microwave-safe containers and cover them with lids or vented plastic wrap. Never use tight sealing plastic containers - they can prevent steam from escaping and cause food to overcook.
- Be sure the outside of the cooking containers and the inside of the microwave oven are dry before placing food in the oven. Beads of moisture turning into steam can mislead the sensor.



Covered



Vented



Dry off dishes so they don't mislead the sensor.

---

## SENSOR POPCORN

1. If you want to cook a package that is less than 1.75 oz or more than 3.5 oz, use **Cook Time** and follow the instructions on the package. Place the package of popcorn in the center of the microwave.
2. Press **Popcorn** and the microwave will start immediately. If the popcorn is not to your satisfaction, do not use the **Popcorn** button again to continue cooking. Use the **Cook Time** button for further cooking.

Do not open the oven door until time is counting down. If the door is opened before time is counting down 4 beeps are emitted while the display will Scroll & Cycle "SENSOR ERROR " until **Clear/ Off** is pressed. The sensor cook will be cancelled as well. If the Door is opened during the counting down, close it and press **Start/ Pause** immediately.

# SENSOR FEATURES

## SENSOR COOK

To use the Sensor Cook feature:

1. Press the **Sensor Cook** button to select Food code.
2. Press **Start/ Pause**. The oven signals when steam is sensed and the time remaining begins counting down. Do not open the oven door until time is counting down. If the door is opened before time is counting down 3 beeps are emitted while the display will Scroll & Cycle "SENSOR ERROR " until **Clear/ Off** is pressed. The sensor cook will be cancelled as well. If the Door is opened during the counting down, close it and press **Start/ Pause** immediately.

**After removing food from the oven, stir, if possible, to even out the temperature. If the food is not hot enough, use Cook Time to reheat for more time. Reheated foods may have wide variations in temperature. Some areas may be extremely hot.**

Food	Display	Pad	Weight/Portion
Potato	POTATO	1	1-4 potatoes
Chicken	CHICKEN	2	1-4 serving (4oz/serv)
Fish/Seafood	FISH	3	1-4 serving (4oz/serve)
Ground Meat	MEAT	4	1-4 serving (4oz/serv)
Fresh Veggies	FRES-VE	5	1-4 serving (4oz/serv)
Frozen Veggies	FROZ-VE	6	1-4 serving (4oz/serve)
Canned Veggies	CANN-VE	7	1-4 serving (4oz/serv)

---

## SENSOR REHEAT

The Reheat feature reheats servings of previously cooked foods or a plate of leftovers.

3. Press Sensor Reheat.
4. Using the cooking guide below, enter food code. For example, 1 for Pasta.
5. Press **Start/Pause**. The oven signals when steam is sensed and the time remaining begins counting down. Do not open the oven door until time is counting down. If the door is opened before time is counting down 3 beeps are emitted while the display will Scroll & Cycle "SENSOR ERROR " until **Clear/ Off** is pressed. The sensor cook will be cancelled as well. If the Door is opened during the counting down, close it and press **Start/ Pause** immediately.

It is best to use Cook Time for these foods:

- Bread products.
- Foods that must be reheated covered.
- Foods that need to be stirred or rotated during reheating.
- Foods calling for a dry look or crisp surface after reheating.

**After removing food from the oven, stir, if possible, to even out the temperature. If the food is not hot enough, use Cook Time to reheat for more time. Reheated foods may have wide variations in temperature. Some areas may be extremely hot.**

Code Entry	Food
1	Pasta
2	Pizza
3	Plate
4	Soup

# OTHER FEATURES

## BEVERAGE

Beverage enables you to reheat coffee or tea to restore to a more suitable drinking temperature or to make instant coffee or tea.

1. Press **Beverage** once and "1 CUP" will appear in the display.
2. Press **Beverage** twice and "2 CUP" will appear in the display.
3. Press **Start/ Pause** to start.

### NOTE:

- To add extra time press Add 30 Sec button
- Pressing Start/ Pause to pause cycle
- Press Clear/ Off to cancel at any time.

---

## MELT

Melt enables you to melt Butter/Margarine, Chocolate, Cheese, or Marshmallows.

1. Press **Melt** button, "BUTTER" is displayed.
2. Continue to press **Melt** button, "BUTTER", "CHOCOLA", "CHEESE" or "MARSHMA" will display in order.
3. Press number button to select the amount per the table below.
4. Press **Start/ Pause** to confirm amount and start cooking directly, the remaining cook time countdown is displayed. Icon "oz" turns off, AUTO MENU icon stays on.

Food	Display	Weight/Qty
Butter/ Margarine	BUTTER	1 / 2 / 3 Sticks
Chocolate	CHOCOLA	4 / 8 oz
Cheese	CHEESE	8 / 16 oz
Marshmallows	MARSHMA	5/ 10 oz

---

## SOFTEN

Soften enables you to soften Butter/Margarine, Ice Cream, or Cheese.

1. Press **Soften** button, "BUTTER" is displayed.
2. Continue to press **Soften** button, "BUTTER", "ICE-CRE", or "CHEESE" will display in order.
3. Press number button to select the amount per the table below.
4. Press **Start/ Pause** to confirm amount and start cooking directly, the remaining cook time countdown is displayed. Icon "oz" turns off, AUTO MENU icon stays on.

Food	Display	Weight/Qty
Butter/ Margarine	BUTTER	1 / 2 / 3 Sticks
Ice Cream/Frozen Juice	ICE-CRE	8 / 16 / 32 oz
Cheese	CHEESE	3 / 8 oz



# OTHER FEATURES

## COOKING COMPLETE REMINDER

To remind you that you have food in the oven, the oven will display “END” and beep once a minute until you either open the oven door or press the **Clear/ Off** button.

---

## LOCK CONTROLS

You may lock the control panel to prevent the microwave from being accidentally started or used by children. To lock or unlock the controls, press and hold **Lock Controls**

for three seconds. When the control panel is locked, “LOCKED” will appear in the display

---

## SET CLOCK

Press to enter the time of day or to check the time of day while microwaving.

1. Press **Set Clock**.
  2. Enter time of day.
  3. Press **Start/ Pause** or **Set Clock**.
- 

## START/PAUSE

In addition to starting many functions, Start /Pause allows you to stop cooking without opening the door or clearing the display. Press Start/ Pause again to restart the oven.

---

## TIMER

Timer operates as a minute timer and can be used at any time, even when the oven is operating.

1. Press **Timer**.
2. Enter the amount of time you want to count down.

3. Press **Timer** or **Start/ Pause** to start. When the time is up, the oven will signal. To turn off the timer signal, press **Timer**. After the timer signal turns off, the display will return to any cook/defrost time countdown or the time of day display. The **Clear/ Off** button will not turn off the timer signal. The display shows the Timer countdown time even when the oven is operating
- 

## SOUND

You can turn off all beeping sounds by pressing the **Mute On/ Off** button so that MUTE ON shows on the display. Pressing the **Mute On/ Off** button again will change to

MUTE OFF on the display and turns all beeping sounds back on.

---

# MICROWAVE TERMS

## ARCING

Arcing is the microwave term for sparks in the oven. Arcing is caused by:

- Metal or foil touching the side of the oven.
  - Foil that is not molded to food (upturned edges act like antennas).
  - Metal such as twist-ties, poultry pins, gold-rimmed dishes.
  - Recycled paper towels containing small metal pieces.
  - Plates or dishes with a metallic trim or glaze with a metallic sheen.
- 

## COVERING

Covers hold in moisture, allow for more even heating and reduce cooking time.

Venting plastic wrap or covering with wax paper allows excess steam to escape.

---

## SHIELDING

In a regular oven, you shield chicken breasts or baked foods to prevent over-browning. When microwaving, you use small strips of foil to shield thin parts, such as the tips of wings and legs on poultry, which would cook before larger parts.

---

## STANDING TIME

When you cook with regular ovens, foods such as roasts or cakes are allowed to stand to finish cooking or to set.

Standing time is especially important in microwave cooking. Note that a microwaved cake is not placed on a cooling rack.

---

## VENTING

After covering a dish with plastic wrap, you vent the plastic wrap by turning back one corner so excess steam can escape.

# CARE AND CLEANING

## HELPFUL HINTS

An occasional thorough wiping with a solution of baking soda and water keeps the inside fresh.

Be certain the oven control is turned off before cleaning any part of this oven.

---

## HOW TO CLEAN THE INSIDE

### Walls, Floor, Inside Window, Metal and Plastic Parts on the Door

Some spatters can be removed with a paper towel; others may require a damp cloth. Remove greasy spatters with a sudsy cloth, then rinse with a damp cloth. Do not use abrasive cleaners or sharp utensils on oven walls.

Never use a commercial oven cleaner on any part of your microwave.

To clean the surface of the door and the surface of the oven that come together upon closing, use only mild, nonabrasive soaps or detergents using a sponge or soft cloth. Rinse with a damp cloth and dry.

---

## HOW TO CLEAN THE OUTSIDE

Do not use cleaners containing ammonia or alcohol on the microwave oven. Ammonia or alcohol can damage the appearance of the microwave.

### Control Panel and Door

Wipe with a damp cloth. Dry thoroughly. Do not use cleaning sprays, large amounts of soap and water, abrasives or sharp objects on the panel—they can damage it. Some paper towels can also scratch the control panel.

### Door Surface

It is important to keep the area clean where the door seals against the microwave. Use only mild, non-abrasive detergents applied with a clean sponge or soft cloth. Rinse well.

### Stainless Steel (on some models)

Do not use a steel-wood pad; it will scratch the surface.

To clean the stainless steel surface, use a hot, damp cloth with a mild detergent suitable for stainless steel surfaces. Use a clean, hot, damp cloth to remove soap. Dry with a dry, clean cloth. Always scrub lightly in the direction of the grain.

# TROUBLESHOOTING

Save time and money! Review the charts on the following pages first and you may not need to call for service.

Problem	Possible Causes
Oven will not come on	A fuse in your home may be blown or the circuit breaker tripped. Replace fuse or reset circuit breaker.
	Unplug your microwave oven, then plug it back in.
	Make sure 3-prong plug on oven is fully inserted into wall receptacle.
Control panel lighted, yet oven will not start	Door not securely closed.
	<b>Start/Pause</b> must be pressed after entering cooking selection.
	Another selection entered already in oven and <b>Clear/Off</b> not pressed to cancel it.
	Make sure you have entered cooking time after pressing <b>Cook Time</b> .
	<b>Clear/Off</b> was pressed accidentally. Reset cooking program and press <b>Start/Pause</b> .
	Make sure you entered food weight after pressing <b>Defrost Weight</b> .
Oven was paused accidentally. Press <b>Start/Pause</b> to restart the cooking program.	
"SENSOR ERROR – PLEASE CLEAR" appears on display	During a Sensor Cooking program, the door was opened before steam could be detected. "SENSOR ERROR – PLEASE CLEAR" will display until <b>Clear/Off</b> is pressed.
	Steam was not detected in maximum time. Use <b>Cook Time</b> to heat for more time.
"LOCKED" appears on display	The control panel has been locked. (When the control panel is locked, "LOCKED" will be displayed.) Press and hold <b>Clear/Off</b> for about 3 seconds to unlock the control panel.
Food amount too large for sensor reheat	Sensor Reheat is for single servings of recommended foods. Use <b>Cook Time</b> for large amounts of food.
"FOOD" appears on display	The control detected that the door has not been opened (food/beverage has not been placed inside).
"PF" appears on display	A Power Failure has occurred. Press <b>Clear/Off</b> to clear the display.
"KEYPAD SHORTED – SERVICE MAY BE NEEDED" appears on display	A key has been activated for more than 60 seconds. Press <b>Clear/Off</b> to clear the display. This can happen if liquid is on the control panel. Dry the control panel thoroughly after cleaning.

---

## THINGS THAT ARE NORMAL WITH YOUR MICROWAVE OVEN

- Steam or vapor escaping from around the door.
- During cooking, operation is paused, and cycle is incomplete. High vapor pressure may push out the door to trip door switch off resulting in paused operation. Check that the door is closed and press start/pause button to continue cooking cycle.
- Light reflection around door or outer case.
- Dimming oven light and change in the blower sound at power levels other than high.
- Dull thumping sound while oven is operating.
- TV/radio interference might be noticed while using the microwave. Similar to the interference caused by other small appliances, it does not indicate a problem with the microwave. Plug the microwave into a different electrical circuit, move the radio or TV as far away from the microwave as possible, or check the position and signal of the TV/radio antenna.

# LIMITED WARRANTY

## Monogram.com

All warranty service is provided by our Factory Service Centers, or an authorized Customer Care® technician. To schedule service online, visit us at **monogram.com** or call Monogram Preferred Service (800.444.1845). Please have your serial number and your model number available when calling for service. In Canada, visit **monogram.ca**.

For the period of	Monogram Appliances will replace
<b>Limited two-year warranty</b>	For two years from the date of the original purchase, Monogram will replace any part of the microwave oven which fails due to a defect in materials or workmanship. During this limited two-year warranty, Monogram will also provide, free of charge, all labor and related service to replace the defective part.
<b>Third through fifth-year limited warranty</b>	For the third through fifth years from the date of the original purchase, Monogram will replace the magnetron tube, if the magnetron tube fails due to a defect in materials or workmanship. During this third through fifth-year limited warranty, you will be responsible for any labor or in-home service costs.

### What Monogram will not cover:

- Service trips to your home to teach you how to use the product.
- Improper installation, delivery or maintenance.
- Product not accessible to provide required service.
- Failure of the product if it is abused, misused, modified or used for other than the intended purpose or used commercially.
- Replacement of house fuses or resetting of circuit breakers.
- Damage to the product caused by accident, fire, floods or acts of God.
- Incidental or consequential damage caused by possible defects with this appliance.
- Damage caused after delivery.

#### EXCLUSION OF IMPLIED WARRANTIES

Your sole and exclusive remedy is product repair as provided in this Limited Warranty. Any implied warranties, including the implied warranties of merchantability or fitness for a particular purpose, are limited to one year or the shortest period allowed by law.

This warranty is extended to the original purchaser and any succeeding owner for products purchased for home use within the USA. If the product is located in an area where service by a Monogram Authorized Servicer is not available, you may be responsible for a trip charge or you may be required to bring the product to an Authorized Monogram Service Location for service. In Alaska, the warranty excludes the service calls to your home.

Some states do not allow the exclusion or limitation of incidental or consequential damages, so the above limitation or exclusion may not apply to you. This warranty gives you specific legal rights, and you may also have other rights which vary from state to state. To know what your legal rights are in your state, consult your local or state consumer affairs office or your state's Attorney General.

**Extended Warranties:** Purchase a Monogram extended warranty and learn about special discounts that are available while your warranty is still in effect. Visit **Monogram.com** or call 800.444.1845 to learn more on how to purchase.

**Warrantor: GE Appliances, a Haier company, Louisville KY,40225**

**Warrantor in Canada: MC Commercial, Burlington, ON, L7R 5B6**

Staple your receipt here. Proof of the original purchase date is needed to obtain service under the warranty.





# MANUAL DEL PROPIETARIO

**Microondas de Cajón**

ESPAÑOL.

MONOGRAM.COM

# TABLE DES MATIÈRES

INFORMACIÓN DEL MODELO .....	2
SOPORTE AL CLIENTE .....	3
INFORMACIÓN IMPORTANTE DE SEGURIDAD .....	4
FUNCIONES DEL HORNO .....	7
ACCESORIOS OPCIONALES .....	7
CONTROLES .....	7
POTENCIA VARIABLE .....	9
FUNCIONES DEL TEMPORIZADOR .....	10
COOK TIME (COCCIÓN CON TEMPORIZADOR) .....	10
COCCIÓN EN MÚLTIPLES ETAPAS .....	10
GUÍA DE COCCIÓN PARA LA COCCIÓN POR TIEMPO .....	11
FUNCIONES DEL AUTOMÁTICA Y TIEMPO .....	12
DESCONGELACIÓN POR TIEMPO .....	12
DESCONGELACIÓN POR PESO .....	12
GUÍA DE DESCONGELACIÓN .....	13
COCCIÓN EXPRESS .....	13
AGREGAR 30 SEGUNDOS .....	13
FUNCIONES DEL SENSOR .....	14
SENSOR DE HUMEDAD .....	14
PALOMITAS DE MAÍZ CON USO DE SENSOR .....	14
COCCIÓN CON SENSOR .....	15
RECALENTAR CON SENSOR .....	15
OTRAS FUNCIONES .....	16
TÉRMINOS DEL MICROONDAS .....	18
CUIDADO Y LIMPIEZA .....	19
SOLUCIÓN DE PROBLEMAS .....	20
GARANTÍA LIMITADA DE MONOGRAM .....	21

## INFORMACIÓN DEL MODELO

### NÚMEROS DE MODELO

ZWL1126

### ANOTE LOS NÚMEROS DE MODELO Y SERIE

Los encontrará en una etiqueta dentro del horno.

Estos números también se encuentran en la Tarjeta de Registro de Posesión del Producto del Consumidor, embalada de forma separada con su electrodoméstico.

**Antes de enviar la tarjeta, tenga a bien escribir los números aquí:**

Número de modelo

Número de serie

Use estos números en cualquier correspondencia o llamadas al servicio técnico relacionadas con su electrodoméstico.



# SOPORTE AL CLIENTE

## SITIO WEB DE MONOGRAM

¿Desea realizar una consulta o necesita ayuda con su electrodoméstico? ¡Intente a través del sitio Web de Monogram las 24 horas del día, cualquier día del año! También puede comprar más grandiosos productos de Monogram y sacar ventaja de todos nuestros servicios de soporte a través de Internet, diseñados para su conveniencia. En EE.UU.: [monogram.com](http://monogram.com)

---

## REGISTRE SU ELECTRODOMÉSTICO

¡Registre su electrodoméstico nuevo a través de Internet, según su conveniencia! Un registro puntual de su producto permitirá una mejor comunicación y un servicio más puntual de acuerdo con los términos de su garantía, en caso de surgir la necesidad. También puede enviar una carta en la tarjeta de inscripción pre impresa que se incluye con el material embalado. En EE.UU.: [monogram.com](http://monogram.com).

---

## SERVICIO PROGRAMADO

El servicio de reparación de expertos de Monogram está a sólo un paso de su puerta. Conéctese a través de Internet y programe el servicio a su conveniencia cualquier día del año. En EE.UU.: [Monogram.com](http://Monogram.com)

---

## CONECTIVIDAD REMOTA

Para recibir asistencia en relación a la conectividad de su red inalámbrica (para modelos con activación remota), visite nuestro sitio web en [monogram.com/connect](http://monogram.com/connect)

---

## PIEZAS Y ACCESORIOS

Individuos calificados para realizar el servicio técnico de sus propios electrodomésticos podrán solicitar el envío de piezas o accesorios directamente a sus hogares (se aceptan las tarjetas VISA, MasterCard y Discover). Ordene a través de Internet durante las 24 horas del día.

En EE.UU.: [monogram.com/use-and-care/parts](http://monogram.com/use-and-care/parts)

**Las instrucciones que figuran en este manual cubren los procedimientos que serán realizados por cualquier usuario. Otros servicios técnicos generalmente deberán ser derivados a personal calificado del servicio técnico. Se deberá tener cuidado, ya que una reparación indebida podrá hacer que el funcionamiento no sea seguro.**

---

## CONTÁCTENOS

Si no se encuentra satisfecho con el servicio que recibió de Monogram, comuníquese con nosotros a través de nuestro sitio Web con todos los detalles, incluyendo su número telefónico, o escriba a:

En EE.UU.: General Manager, Customer Relations | Monogram Appliances, Appliance Park | Louisville, KY 40225  
[monogram.com/contact](http://monogram.com/contact)

# INFORMACIÓN IMPORTANTE DE SEGURIDAD

## LEA TODAS LAS INSTRUCCIONES ANTES DE USAR ESTE ELECTRODOMÉSTICO

**▲ ADVERTENCIA** Para reducir el riesgo de quemaduras, descargas eléctricas, incendio, lesiones o exposición a energía de microondas excesiva:

Cuando utilice aparatos eléctricos, se deben seguir las precauciones de seguridad básicas, entre las que se incluyen las siguientes:

- Lea todas las instrucciones antes de utilizar este aparato.
- Lea y siga las precauciones específicas descritas en la sección PRECAUCIONES PARA EVITAR LA POSIBLE EXPOSICIÓN A ENERGÍA DE MICROONDAS EXCESIVA.
- Utilice este aparato solamente para el fin previsto, como se describe en este manual. No utilice químicos ni vapores corrosivos en este aparato. Este horno está específicamente diseñado para calentar, secar o cocinar alimentos y bebidas y no está diseñado para usarse en un laboratorio ni para uso industrial.
- Este electrodoméstico sólo debería ser reparado por personal técnico con calificación. En caso de necesitar una evaluación, reparación o ajuste, comuníquese con el servicio autorizado más cercano.

### INSTALACIÓN

- Instale o ubique este aparato únicamente de acuerdo a las instrucciones de instalación suministradas.
- Este aparato debe contar con una conexión a tierra. Conecte sólo a un tomacorriente con adecuada conexión a tierra. Ver la sección Instrucciones de conexión a tierra.
- No utilice este aparato si tiene el cable eléctrico o el enchufe dañados, si no funciona bien o si ha sufrido una avería o una caída.
- Mantenga el cable alejado de superficies calientes.
- No sumerja el cable eléctrico o el enchufe en agua.
- No cubra ni bloquee ninguna apertura de este aparato.
- No almacene este aparato al aire libre. No utilice este producto cerca del agua; por ejemplo, en un sótano húmedo, cerca de una piscina, cerca de un lavabo o lugares similares.
- No monte este aparato sobre el fregadero.

### PARA REDUCIR EL RIESGO DE INCENDIO DENTRO DEL HORNO:

- No cocine excesivamente los alimentos. Vigile cuidadosamente el aparato cuando coloque papel, plástico u otros materiales combustibles dentro del microondas para facilitar la cocción.
- Quite las tiritas de seguridad (twist-ties) y asas metálicas de los recipientes de papel o plástico antes de colocarlos dentro del microondas.
- No guarde ningún material, a excepción de nuestros accesorios recomendados, en este horno cuando no esté en uso. No deje productos de papel, utensilios de cocina ni comida en el horno cuando no esté en uso. El estante del microondas se deberá retirar del horno cuando no se encuentre en uso.
- Si los materiales que se encuentran dentro del horno prenden fuego, mantenga cerrada la puerta del horno, apáguelo y desconecte el cable eléctrico, o corte la energía desde el panel de fusibles o del interruptor de circuitos.
- No opere el horno sin alimentos adentro.

### A FIN DE REDUCIR RIESGOS DE QUEMADURAS:

- Tenga cuidado al abrir envases con comida caliente. Use manijas y aleje el vapor del rostro y las manos.
- Ventile, perforo, o corte envases, bolsas, o bolsas plásticas para evitar la acumulación de presión.
- Tenga cuidado al tocar el plato giratorio, la puerta, estantes o paredes del horno, los cuales se podrán calentar durante el uso.
- **LOS CONTENIDOS CALIENTES PUEDEN OCASIONAR QUEMADURAS GRAVES. NO PERMITA QUE LOS NIÑOS USEN EL MICROONDAS.** Tenga cuidado al retirar ítems calientes.

## LEA Y GUARDE ESTAS INSTRUCCIONES

# INFORMACIÓN IMPORTANTE DE SEGURIDAD

## LEA TODAS LAS INSTRUCCIONES ANTES DE USAR ESTE ELECTRODOMÉSTICO

### **▲ ADVERTENCIA**

#### **USO**

- Como con cualquier aparato, cuando sea utilizado por niños es necesaria una estrecha vigilancia.
- n No use el horno sin el plato giratorio en su posición. El plato giratorio no deberá tener restricciones, de modo que pueda girar.
- Asegúrese de que todos los utensilios usados en el horno microondas sean para uso en el mismo. Se pueden usar la mayoría de las cazuelas de vidrio, platos de cocción, tazas graduadas, tazas para postre, vajillas de cerámica o cubiertos de porcelana que no poseen bordes metálicos o vidriados con un brillo metálico, siguiendo las recomendaciones del fabricante.
- No almacene ningún elemento directamente sobre la superficie del horno de microondas cuando éste se encuentre en funcionamiento.
- Algunos productos tales como huevos enteros y contenedores sellados (por ejemplo, frascos sellados) son propensos a explotar y no deben calentarse en este horno. Tal uso del horno puede resultar en lesiones personales.
- No cocine demasiado las patatas. El deshidratado y incendiarse.
- No cubra las otra parte del horno con papel metálico. Esto ocasionará un sobrecalentamiento del horno microondas/ por convección.
- Cocine a fondo la carne de res o ave la carne de res a por los menos una temperatura INTERNA de 160° F y carne de ave a por lo menos una temperatura INTERNA de 180° F. Cocinar a estas temperaturas generalmente protege contra enfermedades causadas por los alimentos.
- Este horno no fue aprobado ni evaluado para uso en la marina.

#### **LIMPIEZA**

- Mantenga el horno libre de acumulación de grasa.
- No limpie con almohadillas metálicas para fregar. Las piezas podrán quemar la almohadilla y tener contacto con partes eléctricas, involucrando riesgos de descargas eléctricas.
- Al limpiar superficies de puerta y horno que se unen al cerrar la puerta, use sólo jabones o detergentes suaves y no abrasivos, aplicando los mismos con una esponja limpia o tela suave. Enjuague bien.

#### **AGUA SOBRECALENTADA**

- Líquidos, tales como agua, café o té, son capaces de sobrecalentarse más allá del punto de ebullición sin parecer que estén hirviendo. No siempre hay burbujeo o hervor visible cuando se saca el recipiente del horno microondas. **ESTO PUEDE RESULTAR EN LA EBULLICIÓN REPENTINA DE LÍQUIDOS MUY CALIENTES CUANDO SE MUEVE EL RECIPIENTE O SE INSERTA UNA CUCHARA U OTRO UTENSILIO DENTRO DEL LÍQUIDO.**
- Para reducir el riesgo de lesión física:
  - No sobrecaliente el líquido.
  - Revuelva el líquido antes y a la mitad del tiempo de calentamiento.
  - No utilice recipientes con costados rectos y cuellos angostos.
  - Después de calentar el recipiente, déjelo en el horno microondas por un período corto de tiempo antes de sacarlo.
  - Tenga extrema precaución cuando introduzca una cuchara u otro utensilio en el recipiente.

**LEA Y GUARDE ESTAS INSTRUCCIONES**

# INFORMACIÓN IMPORTANTE DE SEGURIDAD

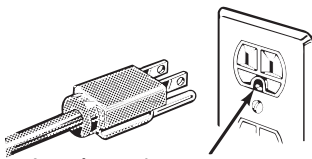
## LEA TODAS LAS INSTRUCCIONES ANTES DE USAR ESTE ELECTRODOMÉSTICO

### PRECAUCIONES PARA EVITAR LA POSIBLE EXPOSICIÓN A ENERGÍA DE MICROONDAS EXCESIVA

- (a) **No intente hacer** funcionar el horno con la compuerta abierta ya que ésto puede provocar exposición peligrosa a la energía de microondas. Es importante no forzar ni dañar los seguros.
- (b) **No coloque** ningún objeto entre la parte frontal del horno y la compuerta, ni permita que se acumulen residuos de producto limpiador o detergente, suciedad o polvo en las superficies de sellado.
- (c) **No haga funcionar** el horno si se encuentra dañado. Es particularmente importante cerrar bien la compuerta
- (1) la compuerta (doblada o curvada),
  - (2) las bisagras y pestillos (rotos o flojos),
  - (3) sellos de la compuerta y superficies de sellado.
- (d) **El horno no debe** ser ajustado o reparado por ninguna persona, excepto por personal de mantenimiento calificado.

### INSTRUCCIONES DE CONEXIÓN A TIERRA

**⚠ ADVERTENCIA** El uso inadecuado del enchufe de conexión a tierra puede provocar riesgos de descargas eléctricas.



Asegúrese de contar con una conexión a tierra adecuada antes de usar.

Este electrodoméstico debe estar conectado a tierra. Si se produjera un cortocircuito, la toma de tierra reduce el riesgo de descarga eléctrica al proveer un cable de escape para la corriente eléctrica.

Este electrodoméstico está equipado con un cable de corriente que dispone de un hilo para toma de tierra con un enchufe con toma de tierra. El enchufe debe estar conectado a una toma de corriente que esté debidamente instalada y con salida a tierra.

Consulte con un electricista calificado o un técnico de reparaciones si no entiende completamente las instrucciones sobre la toma de tierra, o si tuviese alguna duda sobre si su aparato está debidamente conectado a tierra.

Si la toma de corriente es un modelo estándar de dos clavijas, es su responsabilidad personal y su obligación el reemplazarla por una toma adecuada para tres clavijas con conexión a tierra.

Bajo ninguna circunstancia debe cortar o quitar la tercera clavija (tierra) del cable de corriente.

No recomendamos el uso de un cable de prolongación con este electrodoméstico. Si el cable de corriente es demasiado corto, haga que un electricista calificado o un técnico de reparaciones instalen una toma de corriente cerca del electrodoméstico. (Consulte la sección ADVERTENCIA—CABLES DE PROLONGACIÓN.)

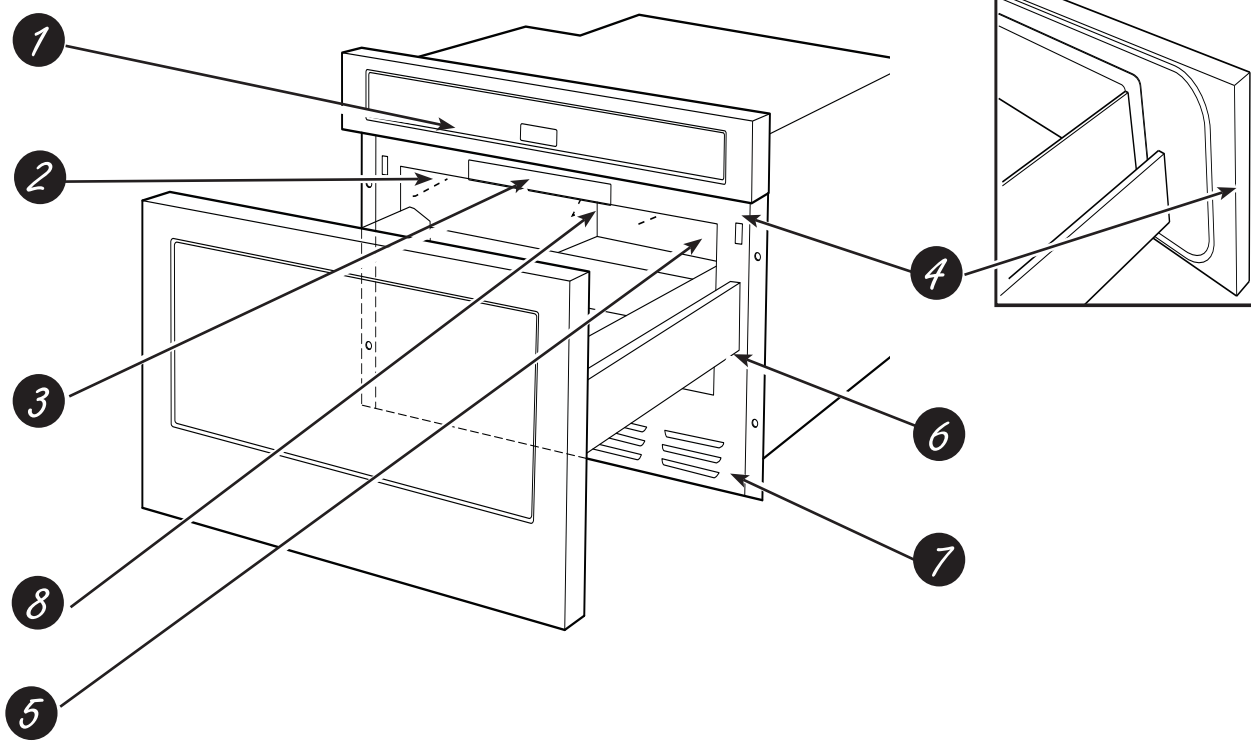
Para un mejor funcionamiento, enchufe este electrodoméstico en una toma de corriente exclusiva para evitar parpadeos de luz, fusibles quemados o que salte el diferencial.

### AVISO: MARCAPASOS

La mayoría de los marcapasos poseen protección contra interferencias de productos eléctricos, incluyendo microondas. Sin embargo, es aconsejable que los pacientes con marcapasos consulten a sus médicos ante cualquier duda.

## LEA Y GUARDE ESTAS INSTRUCCIONES

# FUNCIONES



## Funciones del Horno

**1 La puerta del Panel de Control** deberá estar asegurada con la traba para que el microondas se active.

**2 Tapa de la Guía de Ondas - NO RETIRAR**

**3 Etiqueta del Menú del Microondas con Cajón**

**4 Superficies Selladas del Cajón**

**5 Luz del Cajón**

**6 Guías del Microondas con Cajón**

**7 Ventilación**

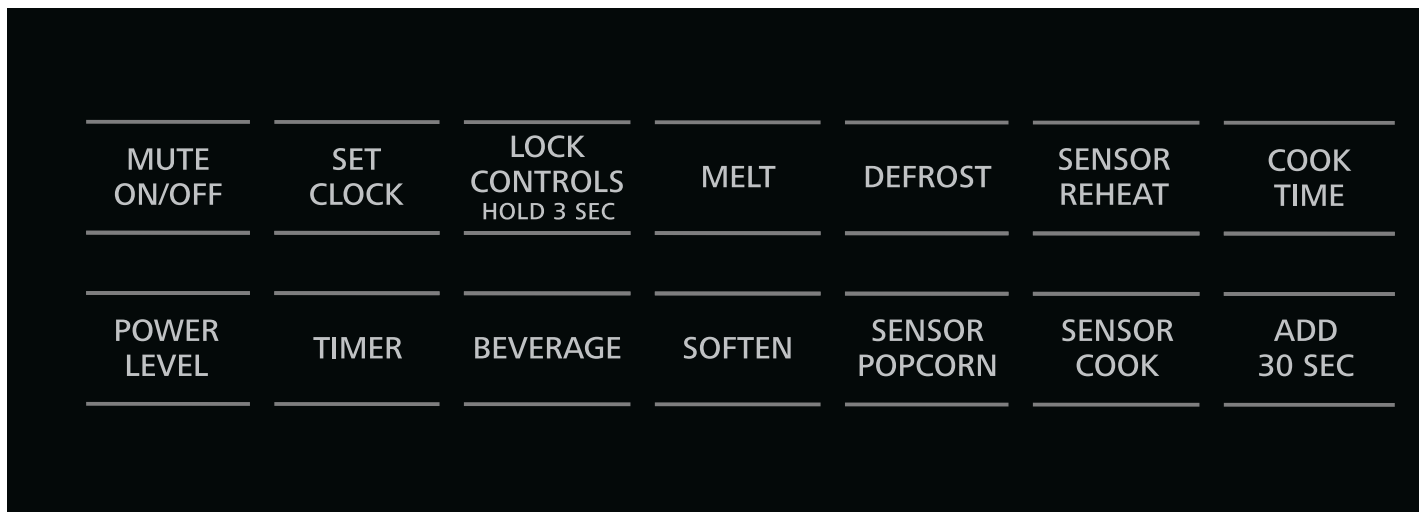
**8 Placa del Nombre.**

Abra el Microondas con Cajón completamente. La etiqueta está más allá de la pared trasera de la cavidad del microondas que mira hacia arriba desde la superficie plana.

# FUNCIONES DEL HORNO

## CONTROLES

Puede usar el horno microondas por tiempo o con funciones convenientes.



Las funciones de los botones de control son explicadas en las siguientes páginas.

# FUNCIONES DEL HORNO

## POTENCIA VARIABLE

El nivel de potencia se podrá ingresar o modificar de forma inmediata luego de ingresar el tiempo para **Cook Time (Tiempo de Cocción)**. El nivel de potencia también se puede modificar durante la cocción.

1. Presione **Cook Time (Cocción Por Tiempo)** y ingrese el tiempo de cocción.
2. Presione **Power Level (Nivel de Potencia)** y seleccione el nivel de potencia deseado de 1 a 10.
3. Presione el botón **Start/Pause (Iniciar/ Pausar)** para iniciar la cocción.

Los niveles de potencia variables suman flexibilidad a la cocción en el microondas. Los niveles de potencia del horno microondas se pueden comparar con las unidades de superficie de una cocina. Cada nivel de potencia le brinda energía de microondas un cierto porcentaje del tiempo. El Nivel de Potencia 7 es energía de microondas el 70% del tiempo. El Nivel de Potencia 3 es energía el 30% del tiempo. La mayoría de las cocciones se harán en Nivel de potencia 10, lo cual le brinda el 100% de potencia.

Power level 10 (Nivel de potencia 10) hará la cocción más rápido pero será necesario revolver, rotar o dar vuelta la comida con mayor frecuencia. Una configuración inferior hará la cocción más pareja y se necesitará revolver y rotar menos la comida.

Algunas comidas podrán tener mejor sabor, textura o aspecto si se usa una de las configuraciones inferiores. Use un nivel de potencia inferior al cocinar comidas con tendencia a hervir, tales como papas en escalope.

Los períodos de descanso (cuando los ciclos de energía de microondas finalizan) brindan tiempo para que la comida "equipare" o transfiera calor al interior de la comida. Un ejemplo de esto se muestra con el nivel de potencia 3 - el ciclo de descongelamiento. Si la energía del microondas no finalizó el ciclo, la parte externa de la comida se cocinará antes de que el interior esté descongelado.

Estos son algunos ejemplos de usos de diferentes niveles de potencia:

**Nivel de potencia 10:** Pescado, tocino, verduras, líquidos en hervor.

**Medio-Alto 7:** Cocción suave de carne y ave; cazuelas para hornear y recalentar.

**Medio 5:** Cocción lenta y ablandamiento para guisados y cortes de carne menos tiernos.

**Bajo 2 o 3:** Descongelar; hervir a fuego lento; platos delicados.

**Caliente 1:** Mantener la comida caliente; ablandar la manteca.

# FUNCIONES DEL TEMPORIZADOR

## COOK TIME (COCCIÓN CON TEMPORIZADOR)

Le permite cocinar en el horno microondas por cualquier tiempo hasta 99 minutos y 99 segundos.

1. Presione **Cook Time (Cocción con Temporizador)**.
2. Ingrese el tiempo de cocción.
3. El nivel de potencia está configurado de forma automática en 10, pero si desea reducir el nivel, presione **Power Level (Nivel de Potencia)** y luego seleccione un nivel de 1 a 9.
4. Presione **Start/ Pause (Iniciar/ Pausar)**.

Puede abrir la puerta durante Cook Time (Cocción con Temporizador) para controlar la comida. Cierre la puerta y presione Start/ Pause (Iniciar/ Pausar) para reanudar la cocción.

---

## COCCIÓN EN MÚLTIPLES ETAPAS

Como máximo 2 etapas pueden ser configuradas para la cocción. En la cocción en etapas múltiples, si una etapa está descongelando, entonces dicha función será colocada en la primera etapa de forma automática.

**NOTA:** La cocción automática no puede trabajar en la cocción en etapas múltiples.

Por ejemplo: si desea cocinar con un 80% de potencia de microondas durante 5 minutos + un 60% de potencia de microondas durante 10 minutos. Los pasos para la cocción son los siguientes:

1. Presione **Time Cook (Cocción con Temporizador)**, luego presione "5", "0", "0" para configurar el tiempo de cocción;

2. Presione **Power (Potencia)** una vez, y luego presione "8" para seleccionar un 80% de potencia de microondas.
3. Presione **Time Cook (Cocción con Temporizador)** una vez, y luego presione "1", "0", "0", "0" para configurar el tiempo de cocción;
4. Presione **Power (Potencia)** una vez, y luego presione "6" para seleccionar un 60% de potencia de microondas.
5. Presione **Start//Pause**.



# FUNCIONES DEL TEMPORIZADOR

## GUÍA DE COCCIÓN PARA LA COCCIÓN POR TIEMPO

**NOTA:** Use el nivel de potencia 10 (Alto) a menos que se indique lo contrario.

Verdura	Cantidad	Tiempo	Comentarios
<b>Espárragos</b> (tallos frescos)  (tallos frescos)	1 libra.  paquete de 10 onzas	4 to 7 min., Med-High (7) 4 to 7 min.	En un plato de horneado de vidrio rectangular de 1¼, coloque ¼ de taza de agua. Gire el plato luego de la mitad del tiempo. En una cazuela de 1 litro.
<b>Frijoles</b> (verdes frescas) (verdes congeladas) (lima congelada)	1 libra cortada en mitades paquete de 10 onzas paquete de 10 onzas	10 to 14 min. 3 to 5 min. 3 to 5 min.	En una cazuela de 1¼ litro, coloque 1/2 taza de agua. En una cazuela de 1 litro, coloque 2 cucharas soperas de agua. En una cazuela de 1 litro, coloque ¼ de taza de agua.
<b>Remolachas</b> (frescas, enteras)	1 racimo	16 to 21 min.	En una cazuela de 2 litros, coloque 1/2 taza de agua.
<b>Brócoli</b> (cortado fresco) (tallos frescos)  (congelado, cortado) (tallos frescos)	1 racimo (1¼ a 1½ libras) 1 racimo (1¼ a 1½ libras)  paquete de 10 onzas paquete de 10 onzas	5 to 9 min. 7 to 10 min.  4 to 7 min. 4 to 7 min.	En una cazuela de 2 litros, coloque 1/2 taza de agua. En un plato de horneado de vidrio rectangular de 2 litros, coloque ¼ de taza de agua. Gire el plato luego de la mitad del tiempo. En una cazuela de 1 litro. En una cazuela de 1 litro, coloque 3 cucharas soperas de agua.
<b>Repollo</b> (fresco) (rodajas)	Media cabeza (aprox. 2 libras)	6 to 9 min. 5 to 9 min.	En una cazuela de 1¼ o 2 litros, coloque ¼ de taza de agua. En una cazuela de 2 o 3 litros, coloque ¼ de taza de agua.
<b>Zanahorias</b> (frescas, en rodajas) (congeladas)	1 libra paquete de 10 onzas	4 to 8 min. 3 to 7 min.	En una cazuela de 1¼, coloque 1/4 taza de agua. En una cazuela de 1 litro, coloque 2 cucharas soperas de agua.
<b>Coliflor</b> (cabezas) (frescas, enteras) (congeladas)	Media cabeza Media cabeza paquete de 10 onzas	7 to 10 min. 7 to 14 min. 3 to 7 min.	En una cazuela de 2 litros, coloque 1/2 taza de agua. En una cazuela de 2 litros, coloque 1/2 taza de agua. En una cazuela de 1 litro, coloque 2 cucharas soperas de agua.
<b>Maíz</b> (granos congelados)	paquete de 10 onzas	2 to 6 min.	En una cazuela de 1 litro, coloque 2 cucharas soperas de agua.
<b>Elote</b> (fresco)  (frozen)	1 a 5 elotes  1 elote 2 a 6 elotes	2-1/4 to 4 min. per ear  3 to 6 min. 2 to 3 min. per ear	En un plato de horneado de vidrio rectangular de 2 litros, coloque maíz. Si el maíz tiene cáscara, no use agua; si el maíz ya fue pelado, agregue una taza de ¼ de agua. Reordene luego de la mitad del tiempo. Coloque un plato de vidrio rectangular de 2 litros. Cubra con un envoltorio plástico ventilado. Reordene luego de la mitad del tiempo.
<b>Mezcla de verduras</b> (congelados)	paquete de 10 onzas	5 to 7 min.	En una cazuela de 1 litro, coloque 3 cucharas soperas de agua.
<b>Habas</b> (frescas, sin cáscara) (congelados)	2 libras sin pelar paquete de 10 onzas	7 to 9 min. 2 to 6 min.	En una cazuela de 1 litros, coloque 1/4 taza de agua. En una cazuela de 1 litro, coloque 2 cucharas soperas de
<b>Papas</b> (frescas, en cubos, blancas) (frescas, entera, dulce o blancas)	4 papas (8 onzas cada uno) 1 (8 onzas) 2 (8 onzas cada uno) 3 4	7 to 9 min.  4 to 6 min. 7 to 9 min. 10 to 12 min. 14 to 16 min.	Pele y corte en cubos de 1 pulgada. En una cazuela de 2 litros, coloque 1/2 taza de agua. Mezcle luego de la mitad del tiempo. Perfore con un tenedor de cocina. Coloque en el horno, a 1 pulgada de distancia, en orden circular. Deje reposar por 5 minutos
<b>Espinaca</b> (fresca) (congelada, cortada o en hojas)	10 a 16 oz. paquete de 10 onzas	3 to 6 min. 3 to 6 min.	En una cazuela de 2 litros, coloque la espinaca lavada. En una cazuela de 1 litro, coloque 3 cucharas soperas de agua.
<b>Zapallo</b> (fresco, calabaza y amarillo) (winter, acorn or butternut)	1 libra en rodajas  1 a 2 zapallos (aprox. 1 libra cada uno)	5 to 9 min.  5 to 9 min.	En una cazuela de 1¼, coloque 1/4 taza de agua.  Corte a la mitad y retire las membranas fibrosas. En un plato para hornear de vidrio rectangular de 2 litros, coloque el zapallo con el corte hacia abajo.

# FUNCIONES DEL AUTOMÁTICA Y TIEMPO

## DESCONGELACIÓN POR TIEMPO

**Time Defrost (Descongelación por Tiempo)** le permite descongelar durante un período de tiempo seleccionado. Consulte los tiempos sugeridos en la Guía de Descongelación. (Weight Defrost (Descongelación por Peso) se explica en la sección Auto Feature (Función Automática).

1. Presione **Descongelar (Defrost)** dos veces (la pantalla deberá mostrar Time Defrost (Descongelación por Tiempo)).
2. Ingrese el tiempo de descongelación.
3. Presione **Start/ Pause (Iniciar/ Pausar)**.

Cuando el horno dé la señal, dé vuelta la comida y separe o reordene los trozos para una descongelación más pareja. Cubra cualquier área caliente con trozos pequeños de papel de aluminio. El horno continuará descongelando si no abre la puerta y da vuelta la comida.

El nivel de potencia se configura de forma automática en 3, pero se puede cambiar. Puede descongelar productos pequeños de forma rápida, incrementando el nivel de potencia luego de ingresar el tiempo. Power level 7 (Nivel de potencia 7) reduce el tiempo de descongelación total aproximadamente a la mitad; power level 10 (nivel de potencia 10) reduce el tiempo total a aproximadamente 1/3. Sin embargo, será necesario prestar mayor atención a la comida que lo usual.

Es posible que se escuchen ruidos de golpes secos durante la descongelación. Esto es normal cuando el horno no está funcionando en el nivel de potencia High (Alto).

### Consejos para la Descongelación

- Las comidas congeladas en papel o plástico se podrán descongelar en el paquete. Los paquetes cerrados se deberán cortar, perforar o ventilar LUEGO de que la comida se haya descongelado parcialmente. Los envases de plástico se deberán descubrir en forma parcial.
- Las comidas de tamaño familiar preempaquetadas se podrán descongelar y cocinar en el horno microondas. Si la comida se encuentra en el envase de papel de aluminio, traslade la misma a un plato para uso seguro en el horno microondas.
- Para una descongelación más pareja de comidas más grandes, tales como asado, use Weight Defrost (Descongelación por Peso). Asegúrese de que las carnes queden totalmente descongeladas antes de cocinar.
- Las comidas que se echan a perder con facilidad no se deberán dejar reposar por más de una hora luego de la descongelación. La temperatura ambiente estimula el desarrollo de bacterias nocivas.
- Una vez descongelada, la comida debería estar fría pero ablandada en todas las áreas. Si aún está un poco congelada, vuelva a colocarla en el horno microondas muy brevemente, o deje reposar la misma por unos pocos minutos.

## DESCONGELACIÓN POR PESO

La función de descongelación por peso configura automáticamente los tiempos de descongelación y los niveles de potencia para producir resultados parejos de descongelación con carnes, aves y pescados que pesen hasta seis libras.

1. Presione **Descongelar (Defrost)** (la pantalla deberá mostrar Weight Defrost (Descongelación por Peso)).
2. Usando la guía de conversión, ingrese el peso de la comida. Por ejemplo: presione las teclas 1 y 2 para 1.2 libras (1 libra, 2 onzas).
3. Presione Start/ Pause (Iniciar/ Pausar).

(**Time Defrost (Descongelación por Tiempo)** se explica en la sección Time Features (Funciones del Temporizador)).

Hay una guía de cocción ubicada en el frente interior del horno.

- Retire la carne del paquete y coloque la misma en el plato de cocción segura en el microondas.
- Cuando el horno dé la señal, dé vuelta la comida. Retire la carne descongelada o cubra las partes calientes con trozos pequeños de papel de aluminio.
- Luego de descongelar, la mayoría de las carnes necesitan reposar durante 5 minutos para completar la descongelación. Al asar durante tiempo prolongado se debería dejar reposar por unos 30 minutos.

Si el peso de la comida se expresa en libras y onzas, las onzas se deberán convertir a décimas (.1) de una libra.	
Onzas	Libras
1-2	.1
3	.2
4-5	.3
6-7	.4
8	.5
9-10	.6
11	.7
12-13	.8
14-15	.9

# FUNCIONES DEL AUTOMÁTICA Y TIEMPO

GUÍA DE DESCONGELACIÓN		
Comida	Tiempo	Comentarios
<b>Panes, Tortas</b>		
Panes, buñuelos o panecillos (1 trozo)	1/4 de min.	
Pastelitos (12 oz. aprox.)	1 a 3 min.	Reordene luego de la mitad del tiempo.
<b>Pescado y Mariscos</b>		
Lomos, congelados (1 lb.)	6 a 9 min.	
Mariscos, trozos pequeños (1 lb.)	3 a 7 min.	Coloque el bloque en la cacerola. Dé vuelta y separe luego de la primera mitad de tiempo.
<b>Fruta</b>		
Bolsa de plástico—1 o 2 (paquete de 10-oz.)	2 a 5 min.	
<b>Carne</b>		
Tocino (1 lb.)	4 a 8 min.	Coloque el paquete cerrado en el horno. Deje reposar por 5 minutos luego de la descongelación.
Salchichas Tipo Frankfurt (1 lb.)	4 a 8 min.	Coloque el paquete cerrado en el horno. Cocine en el horno microondas hasta que las salchichas tipo Frankfurt se puedan separar. Deje reposar por 5 minutos, de ser necesario, para completar la descongelación.
Carne picada (1 lb.)	7 a 9 min.	Dé vuelta luego de la primera mitad de tiempo.
Asar: bife, cordero, ternera, cerdo	7 a 9 min. por lb.	Use el nivel de potencia Warm (Caliente) (1).
Bistecs, chuletas de cerdo y cordero	4 a 8 min. por lb.	Coloque la carne aún envuelta en el plato de cocción. Dé vuelta luego de la primera mitad de tiempo y cubra las áreas calientes con papel de aluminio. Luego de la segunda mitad del tiempo, separe los trozos con un cuchillo de mesa. Espere hasta que se complete la descongelación.
<b>Ave</b>		
Pollo, hervir-freír - cortaar (2½ a 3 lbs.)	14 a 19 min.	Coloque el pollo envuelto en el plato. Desenvuelva y dé vuelta luego de la primera mitad de tiempo. Luego de la segunda mitad de tiempo, separe los trozos y coloque los mismos en un plato de cocción. Cocine en el horno microondas entre 2 y 4 minutos más, si es necesario. Deje reposar por unos pocos minutos para finalizar la descongelación.
Pollo, entero (2¼ a 3 lbs.)	22 a 26 min.	Coloque el pollo envuelto en el plato. Luego de la primera mitad de tiempo, desenvuelva y dé vuelta el pollo. Cobre las partes calientes con papel de aluminio. Para completar la descongelación, deje correr agua fría en la cavidad hasta que se puedan retirar los menudos.
Gallina de cornualles	7 a 12 min. por lb.	Coloque la gallina sin desenvolver en el horno con la pechuga hacia arriba. Dé vuelta luego de la primera mitad de tiempo. Deje correr agua por la cavidad hasta que se puedan quitar los menudos.
Pechuga de pavo (4 a 6 libras)	3 a 8 min. por lb.	Coloque la pechuga sin desenvolver en el plato para uso seguro en horno microondas con la pechuga hacia abajo. Luego de la primera mitad de tiempo, dé vuelta la pechuga hacia arriba y cubra las partes calientes con papel de aluminio. Descongele durante la segunda mitad del tiempo. Deje reposar entre 1 y 2 horas en el refrigerador para completar la descongelación.

## COCCIÓN EXPRESS

Ésta es una forma rápida de configurar el tiempo de cocción entre 1 y 5 minutos.

Presione una de las teclas de **Express Cook (Cocción Express)** (de 1 a 5) para una cocción de entre 1 y 5 minutos en Power Level 10 (Nivel De Potencia 10). Por ejemplo: presione la tecla 2 para un tiempo de cocción de 2 minutos.

El nivel de potencia se puede modificar mientras se está realizando la cuenta regresiva. Presione **Power Level (Nivel De Potencia)** e ingrese una opción del 1 al 10.

**NOTA:** La función Express Cook (Cocción Express) se aplica sólo con las teclas 1 a 5.

## AGREGAR 30 SEGUNDOS

Agregaré 30 segundos a la cuenta regresiva cada vez que la tecla se presione. Cada vez que presione se sumarán 30 segundos, hasta 99 minutos y 99 segundos.

El horno comenzará a funcionar de inmediato cuando se presione.

# FUNCIONES DEL SENSOR

## SENSOR DE HUMEDAD

Sensor Features (Funciones del Sensor) detectan la humedad creciente liberada durante la cocción. El horno ajusta de forma automática el tiempo de cocción a diferentes tipos y cantidades de comida.

No use Sensor Features (Funciones del Sensor) dos veces seguidas en la misma porción de comida; esto podrá hacer que la comida se sobrecaliente de forma excesiva o que se queme. Asegúrese de dejar que el horno se enfríe entre 5 y 10 minutos, antes de iniciar la siguiente cocción con sensor.

Si la comida no termina de cocinarse luego de la cuenta regresiva, use Cook Time (Tiempo de Cocción) para adicionar tiempo de cocción.

- Es esencial contar con envases y cobertores para una mejor cocción con sensor.



Cubierto

- Siempre use envases para uso seguro en el horno microondas y cubra los mismos con tapas o envoltorios de plástico ventilados. Nunca use envases de plástico sellados – pueden impedir la salida de vapor y hacer que la comida se sobrecaliente.



Ventilado

- Asegúrese de que la parte exterior de los envases de cocción y el interior del horno microondas estén secos antes de colocar comida en el horno. Las gotas de humedad que se convierten en vapor pueden alterar el funcionamiento del sensor.



Seque los platos de modo que no alteren el funcionamiento del sensor.

## PALOMITAS DE MAÍZ CON USO DE SENSOR

1. Si desea cocinar un paquete con menos de 1.75 onzas o más de 3.5 onzas, entonces use Cook Time (Tiempo de Cocción) y siga las instrucciones que figuran en el paquete. Coloque el paquete congelado de palomitas de maíz en el centro del microondas.
2. Presione Popcorn (Palomitas de Maíz) Presione las palomitas de maíz y el microondas comenzará inmediatamente. Si no considera que la cocción de las palomitas de maíz es satisfactoria, no vuelva a usar el botón Popcorn (Palomitas de Maíz) para continuar cocinando. Use el botón Cook Time (Tiempo de Cocción) para continuar cocinando.

No abra la puerta del horno hasta que se esté realizando la cuenta regresiva. Si se abre la puerta antes de la cuenta regresiva, se emitirán 4 pitidos mientras la pantalla hace circular el ciclo de "SENSOR ERROR" (Error del Sensor), hasta que se presione Clear/Off (Borrar/ Apagar). La cocción con sensor también será cancelada. Si se abre la puerta durante la cuenta regresiva, cierre la misma y presione Start/Pause (Iniciar/ Pausar) de inmediato.

# FUNCIONES DEL SENSOR

## COCCIÓN CON SENSOR

Para usar la función Sensor Cook (Cocción con Sensor):

1. Presione el botón Sensor Cook (Cocción con Sensor) para seleccionar el código de Comida.
2. Presione Start/Pause (Iniciar/ Pausar). El horno emitirá una señal cuando se produzca vapor y el tiempo restante iniciará la cuenta regresiva. No abra la puerta del horno hasta que se esté realizando la cuenta regresiva. Si se abre la puerta antes de finalizada la cuenta regresiva, se emitirán 3 pitidos mientras la pantalla hace circular el ciclo de "SENSOR ERROR" (Error del Sensor), hasta que se presione Clear/Off (Error del Sensor), hasta que se presione Clear/Off

(Borrar/ Apagar). La cocción con sensor también será cancelada. Si se abre la puerta durante la cuenta regresiva, cierre la misma y presione Start/Pause (Iniciar/ Pausar) de inmediato.

Luego de retirar la comida del horno, revuelva, si es posible, a fin de emparejar la temperatura. Si la comida no se calentó lo suficiente, use Cook Time (Tiempo de Cocción) para recalentar durante más tiempo. Las comidas recalentadas podrán tener amplias variaciones de temperatura. Es posible que algunas partes de la comida estén extremadamente calientes.

Comida	Pantalla	Tecla	Peso/ Porción
Patata	POTATO	1	1 a 4 papas
Pollo	CHICKEN	2	1 a 4 porciones (4 onzas/ porción)
Pescado / Mariscos	FISH	3	1 a 4 porciones (4 onzas/ porción)
Carne Picada	MEAT	4	1 a 4 porciones (4 onzas/ porción)
Vegetales Frescos	FRES-VE	5	1 a 4 porciones (4 onzas/ porción)
Vegetales Congelados	FROZ-VE	6	1 a 4 porciones (4 onzas/ porción)
Vegetales Enlatados	CANN-VE	7	1 a 4 porciones (4 onzas/ porción)

## RECALENTAR CON SENSOR

La función Reheat (Recalentar) vuelve a calentar las porciones de comidas cocinadas previamente o un plato con restos de comida.

3. Presione **Reheat Sensor** (Recalentar con Sensor).
4. Usando la guía de cocción que aparece a continuación, ingrese el código de la comida. Por ejemplo: 1 para Pasta.
5. Presione **Start/Pause** (Iniciar/ Pausar). El horno emitirá una señal cuando se produzca vapor y el tiempo restante iniciará la cuenta regresiva. No abra la puerta del horno hasta que se esté realizando la cuenta regresiva. Si se abre la puerta antes de la cuenta regresiva, se emitirán 3 pitidos mientras la pantalla hace circular el ciclo de "SENSOR ERROR" (Error del Sensor), hasta que se presione **Clear/Off** (Borrar/ Apagar). La cocción con sensor también será cancelada. Si se abre la puerta durante la cuenta regresiva, cierre la misma y presione **Start/Pause** (Iniciar/ Pausar) de inmediato.

Es mejor usar **Cook Time** (Tiempo de Cocción) para estas comidas:

- Productos con pan.
- Comidas que se deben recalentar estando cubiertas.
- Comidas que se deben revolver o girar al recalentarlas.
- Comidas que deben tener un aspecto seco o una superficie crocante luego de recalentar.

Ingreso del Código	Comida
1	Pasta
2	Pizza
3	Plato
4	Sopa

Luego de retirar la comida del horno, revuelva, si es posible, para emparejar la temperatura. Si la comida no se calentó lo suficiente, use Cook Time (Tiempo de Cocción) para recalentar durante más tiempo. Las comidas recalentadas podrán tener amplias variaciones de temperatura. Es posible que algunas partes de la comida estén extremadamente calientes.

# OTRAS FUNCIONES

## BEBIDA

La función Beverage (Bebida) le permite recalentar café o té a fin de llevar los mismos a una temperatura más adecuada para beber o para hacer café o té instantáneo.

1. Presione **Beverage** (Bebida) una vez y "1CUP" (1 Taza) será visualizado en la pantalla.
2. Presione **Beverage** (Bebida) dos veces y "2CUP" (2 Tazas) será visualizado en la pantalla.
3. Presione **Start/Pause** (Iniciar/ Pausar) para comenzar.

### NOTA:

- Para agregar tiempo extra, presione el botón Add 30 Sec (Agregar 30 Seg.).
- Presione Start/Pause (Iniciar/ Pausar) para pausar el ciclo.
- Presione Clear/Off (Borrar/ Apagar) para cancelar esta función en cualquier momento.

## DERRETIR

La función Melt (Derretir) le permite derretir Manteca/ Margarina, Chocolate, Queso o Malvaviscos.

1. Presione el botón **Melt** (Derretir) y se visualizará "BUTTER" (Manteca).
2. Continúe presionando el botón **Melt** (Derretir) y se visualizará "BUTTER" (Manteca), "CHOCOLA" (Chocolate), "CHEESE" (Queso) o "MARSHMA" (Malvavisco) en orden.
3. Presione el botón numérico para seleccionar la cantidad de acuerdo con la siguiente tabla.

4. Presione **Start/Pause** (Iniciar/ Pausar) para confirmar la cantidad e iniciar la cocción directamente; se visualizará la cuenta regresiva del tiempo de cocción restante. El ícono "oz" se apagará, y el ícono AUTO MENU (Menú Automático) permanecerá encendido.

Comida	Pantalla	Peso/ Cant.
Manteca/ Margarina	BUTTER	1 / 2 / 3 Sticks
Chocolate	CHOCOLA	4 / 8 oz
Queso	CHEESE	8 / 16 oz
Malvaviscos	MARSHMA	5/ 10 oz

## ABLANDAR

La función Soften (Ablandar) le permite ablandar Manteca/ Margarina, Helado o Queso.

1. Presione el botón **Soften** (Ablandar) y se visualizará "BUTTER" (Manteca).
2. Continúe presionando el botón **Soften** (Ablandar) y se visualizará "BUTTER" (Manteca), "ICE-CRE" (Helado), o "CHEESE" (Queso) en orden.
3. Presione el botón numérico para seleccionar la cantidad de acuerdo con la siguiente tabla.
4. Presione **Start/Pause** (Iniciar/ Pausar) para confirmar la cantidad e iniciar la cocción directamente; se visualizará la cuenta regresiva del tiempo de cocción restante. El ícono "oz" se apagará, y el ícono AUTO MENU (Menú Automático) permanecerá encendido.

Food	Display	Weight/Qty
Butter/ Margarine	BUTTER	1 / 2 / 3 Sticks
Helado/ Jugo Congelado	ICE-CRE	8 / 16 / 32 oz
Cheese	CHEESE	3 / 8 oz

# OTRAS FUNCIONES

## RECORDATORIO DE COCCIÓN COMPLETA

Para recordarle que colocó comida en el horno, este último mostrará "END" (Fin) y emitirá un pitido una vez por

minuto hasta que abra la puerta del horno o presione el botón Clear/Off (Borrar/ Apagar).

---

## CONTROLES DE BLOQUEO

Usted puede bloquear el panel de control a fin de evitar que el microondas se inicie de forma accidental o sea usado por niños. Para bloquear o desbloquear los controles, mantenga presionado Lock Controls (Controles

de Bloqueo) durante tres segundos. Cuando el panel de control esté bloqueado, en la pantalla se visualizará "LOCKED" (Bloqueado).

---

## CONFIGURAR EL RELOJ

PrPresione esta función para ingresar la hora del día o para ver la hora del día mientras cocina con el horno microondas.

1. Presione Set Clock (Configurar el Reloj).

2. Ingrese la hora del día.

3. Presione Start/Pause (Iniciar/ Pausar) o Set Clock (Configurar el Reloj).

---

## INICIAR/ PAUSAR

Además de iniciar muchas funciones, Start/Pause (Iniciar/ Pausar) le permite dejar de cocinar sin abrir la puerta ni

borrar la pantalla. Presione Start/Pause (Iniciar/ Pausar) nuevamente para reiniciar el horno.

---

## TEMPORIZADOR

Timer (Temporizador) funciona como un temporizador por tiempo y puede ser usado en cualquier momento, incluso cuando el horno está funcionando.

1. Presione Timer (Temporizador).

2. Ingrese la cantidad de tiempo durante el cual desee que se realice la cuenta regresiva.

3. Presione Timer (Temporizador) o Start/Pause (Iniciar/ Pausar) para comenzar. Cuando el tiempo concluya, el temporizador emitirá una señal. Para apagar la señal

del temporizador, presione Timer (Temporizador).

Una vez que la señal del temporizador se apague, la pantalla regresará a cualquier cuenta regresiva de cook/defrost (cocción/descongelación) o a la pantalla con la hora del día. El botón Clear/Off (Borrar/ Apagar) no apagará la señal del temporizador. La pantalla muestra la cuenta regresiva del Temporizador, incluso cuando el horno está en funcionamiento.

---

## SONIDO

Usted puede apagar todos los sonidos de pitidos, presionando el botón Mute On/Off (Mudo Encendido/ Apagado) de modo que en la pantalla se visualice MUTE ON (Mudo Encendido). Presionando el botón Mute On/

Off (Mudo Encendido/ Apagado) nuevamente se pasará a MUTE OFF (Mudo Apagado) en la pantalla y esto volverá a encender todos los sonidos de pitidos

---

# TÉRMINOS DEL MICROONDAS

## ARCO ELÉCTRICO

Arco eléctrico es el término que se usa para definir la producción de chispas en el horno microondas. Los arcos eléctricos son producidos por:

- Metal o papel de aluminio en contacto con el costado del horno.
- Papel de aluminio no moldeado a la comida (los extremos doblados actúan como antenas).
- Metales, tales como precintos, pinchos de ave, o platos con rebordes dorados.
- Toallas de papel reciclable que contengan pequeños trozos de metal. Toallas de papel reciclable que contengan pequeños trozos de metal.
- Platos o vajillas con bordes metálicos o con una capa de brillo metálico.

---

## TAPA

Las tapas retienen la humedad, permiten calentar de forma más pareja y reducen el tiempo de cocción.

Ventilar los envoltorios de plástico o tapas con papel para alimentos permite la salida de vapor excesivo.

---

## SHIELDING

En un horno normal, usted cubre las pechugas de pollo o comidas asadas para evitar que se doren en exceso. Al cocinar en el horno microondas, deberá usar pequeñas tiras de papel de aluminio para cubrir partes pequeñas, tales como puntas de alas y patas de aves, que se podrían cocinar antes que las partes grandes.

---

## TIEMPO DE INACTIVIDAD

Al cocinar con hornos regulares, las comidas asadas o las tortas se pueden dejar hasta finalizar la cocción o el tiempo programado.

El tiempo en espera es especialmente importante en la cocción en el horno microondas. Se debe observar que una torta cocinada en un horno microondas no se coloca en un estante de refrigeración.

---

## VENTILACIÓN

Luego de cubrir un plato con un envoltorio plástico, este último se ventila dando vuelta un extremo de modo tal que el vapor pueda salir.



# CUIDADO Y LIMPIEZA

## CONSEJOS ÚTILES

Una limpieza completa de forma ocasional con una solución de bicarbonato y agua mantiene el interior fresco.

Asegúrese de que el control del horno esté apagado antes de limpiar cualquier parte del horno.

---

## CÓMO LIMPIAR EL INTERIOR

### Paredes, Piso, Ventana Interior, Partes Metálicas y Plásticas de la Puerta

Algunas salpicaduras se pueden eliminar con una toalla de papel; otras pueden requerir una tela húmeda. Elimine salpicaduras de grasa con una tela con jabón, y luego enjuague con una tela húmeda. No use limpiadores abrasivos ni utensilios puntiagudos sobre las paredes del horno.

Para limpiar la superficie del horno y la superficie del horno que se une al cerrar, use sólo jabones suaves y no ásperos o detergentes con una esponja o tela suave. Enjuague con una tela húmeda y seca.

Nunca use un limpiador para hornos comerciales en ninguna parte de su horno microondas.

---

## CÓMO LIMPIAR EL ÁREA EXTERIOR

No use limpiadores que contengan amoníacos o alcohol en el horno microondas. El amoníaco o el alcohol pueden dañar el aspecto del horno microondas.

### Panel de Control y Puerta

Limpie con una tela húmeda. Seque totalmente. No use espráis limpiadores, grandes cantidades de agua y jabón, objetos abrasivos o puntiagudos sobre el panel, ya que lo pueden dañar. Algunas toallas de papel también pueden rayar el panel de control.

### Superficie de la Puerta

Es importante mantener el área limpia donde la puerta se selle contra el horno microondas. Use sólo detergentes suaves y no abrasivos con una esponja limpia o tela suave. Enjuague bien.

### Acero Inoxidable (en algunos modelos)

No use virutas de acero; éstas dañarán la superficie.

Para limpiar la superficie de acero inoxidable, use una tela caliente y húmeda con un detergente suave adecuado para superficies de acero inoxidable. Use una tela limpia, caliente y húmeda para eliminar el jabón. Seque con una tela limpia y seca. Siempre friegue la superficie en la dirección del veteado.

# SOLUCIÓN DE PROBLEMAS

¡Ahorre tiempo y dinero! Primero revise los cuadros que aparecen en las siguientes páginas y es posible que no necesite solicitar reparaciones.

Problema	Causas Posibles
El horno no se enciende	Es posible que un fusible de su hogar se haya quemado o que el disyuntor se haya desconectado. Reemplace el fusible o reinicie el disyuntor.
	Desenchufe el horno microondas; luego vuelva a enchufarlo.
	Asegúrese de que el cable de 3 patas del horno esté completamente insertado en el tomacorriente.
El panel de control está iluminado, pero el horno aún no se inicia	La puerta no está cerrada de forma segura.
	La tecla <b>Start/ Pause (Iniciar/ Pausar)</b> no se presionó luego de ingresar la configuración de la cocción.
	Otra selección ya fue ingresada en el horno y el botón <b>Clear/Off (Borrar/ Apagar)</b> no se presionó para cancelar la misma.
	Asegúrese de haber ingresado el tiempo de cocción luego de presionar <b>Cook Time (Tiempo de Cocción)</b> .
	Se presionó <b>Clear/Off (Borrar/ Apagar)</b> de forma accidental. Reinicie el programa de cocción y presione <b>Start/ Pause (Iniciar/ Pausar)</b> .
	Asegúrese de haber ingresado el peso de la comida luego de seleccionar <b>Defrost Weight (Descongelación por Peso)</b> .
"SENSOR ERROR – PRESS CLEAR" aparece en la pantalla	Al usar un programa de Cocción con Sensor, la puerta fue abierta antes de que se pudiera detectar el vapor. "SENSOR ERROR – PRESS CLEAR" se deslizará hasta que se presione <b>Clear/Off (Borrar/ Apagar)</b> .
	No se detectó vapor en una cantidad de tiempo máxima. Use <b>Cook Time (Tiempo de Cocción)</b> para calentar durante más tiempo.
"LOCKED" (bloqueado) aparece en la pantalla	El panel de control fue bloqueado. (Cuando el panel de control está bloqueado, aparece una "LOCKED"). Mantenga presionada la tecla <b>Clear/Off (Borrar/ Apagar)</b> por unos tres segundos para desbloquear el panel de control.
La cantidad de comida es demasiado grande para recalentar con el sensor	Sensor Reheat (Recalentar con Sensor) es para porciones simples de comidas recomendadas. Use <b>Cook Time (Tiempo de Cocción)</b> para grandes cantidades de comida.
En la pantalla se visualiza "FOOD" (comida).	El control detectó que la puerta no fue abierta (no fue colocada comida/ bebida dentro).
En la pantalla se visualiza "PF"	Se produjo un corte de corriente. Presione <b>Clear/Off (Borrar/ Apagar)</b> para borrar la pantalla.
"KEYPAD SHORTED – SERVICE MAY BE NEEDED" aparece en la pantalla	Una tecla fue activada durante más de 60 segundos. Presione <b>Clear/Off (Borrar/ Apagar)</b> para borrar la pantalla. Esto puede suceder en caso de haber líquido sobre el panel de control. Seque el panel de control completamente luego de su limpieza.

## COSAS QUE SON NORMALES DE SU HORNO MICROONDAS

- Cosas que son Normales de su Horno Microondas
- Durante la cocción, el funcionamiento queda en pausa y el ciclo incompleto. Una alta presión de vapor podrá hacer presión contra la puerta y hacer que se apague el interruptor de la puerta, haciendo que el funcionamiento quede en pausa. Controle que la puerta se encuentre cerrada y presione el botón **Start/Pause (Iniciar/ Pausar)** para continuar con el ciclo de cocción.
- Reflejo de luz alrededor de la puerta o la cubierta exterior.
- Luz del horno tenue y cambio del sonido del pitido en niveles de potencia que no son altos.
- Ruido de golpes secos mientras el horno está en funcionamiento.
- Se podrán observar interferencias de TV/ radio mientras usa el horno microondas. De forma similar a la interferencia causada por otros electrodomésticos pequeños, esto no indica que exista un problema con el horno microondas. Enchufe el horno microondas en un circuito eléctrico diferente, aleje la radio o la TV tanto como sea posible del horno microondas, o controle la posición y la señal de la antena de la TV/ radio.

# GARANTÍA LIMITADA DE MONOGRAM

## Monogram.com

Todo el servicio de garantía es provisto por nuestros Centros de Servicio de Fábrica, o por un técnico autorizado de Customer Care® (Servicio al Cliente). Para programar el servicio a través de Internet, visítenos en [monogram.com/contact](http://monogram.com/contact). En Canadá, visite [monogram.ca](http://monogram.ca).

Por el Período de	Monogram Appliances reemplazará
<b>Garantía limitada por dos años</b>	Por el período de dos años desde la fecha de compra original, Monogram reemplazará cualquier parte del horno microondas que falle debido a un defecto en los materiales o la fabricación. Durante esta garantía limitada de dos años, Monogram también proveerá, sin costo, todo el trabajo y los costos del servicio relacionados con el reemplazo de la parte que presente defectos.
<b>Garantía limitada del tercer al quinto año</b>	Del tercer al quinto año desde la fecha de compra original, Monogram reemplazará el tubo magnetrón, si el mismo presenta fallas debido a un defecto en los materiales o la fabricación. Durante esta garantía limitada del tercer al quinto año, usted será responsable por el costo de cualquier trabajo o reparación en el hogar.

## Qué no cubrirá Monogram:

- Visitas de servicio técnico a su hogar para enseñarle a usar el producto.
- Instalación, entrega o mantenimiento inadecuados.
- Producto no accesible para brindar el servicio requerido.
- Falla del producto o daño sobre el producto si se produce un abuso, uso inadecuado (por ejemplo: arco eléctrico en una cavidad de la rejilla o metal/ papel de aluminio), o uso diferente para el cual fue diseñado o uso comercial.
- Reemplazo de fusibles de la casa o reinicio de disyuntores.
- Daños al producto causados por accidente, incendio, inundación o causas de fuerza mayor.
- Daños incidentales o consiguientes provocados por posibles defectos en este aparato.
- Daños luego de la entrega.

### EXCLUSIÓN DE GARANTÍAS IMPLÍCITAS

Su única y exclusiva alternativa es la reparación del producto, como se indica en esta Garantía Limitada. Las garantías implícitas, incluyendo garantías implícitas de comerciabilidad o conveniencia sobre un propósito particular, se limitan a un año o al período más corto permitido por la ley.

Esta garantía se extiende al comprador original y a cualquier dueño subsiguiente de productos comprados para uso hogareño dentro de EE.UU. Si el producto se encuentra en un área donde no se encuentra disponible un proveedor autorizado del servicio técnico, usted será responsable por el costo de un viaje o se le podrá requerir que traiga el producto a una ubicación Autorizada del Servicio Técnico. En Alaska, la garantía excluye el costo de envío o llamadas del servicio a su hogar. Algunos estados no permiten la exclusión o limitación de daños fortuitos o consecuentes. Esta garantía le da derechos legales específicos y es posible que tenga otros derechos legales que varían entre un estado y otro. Para conocer cuáles son sus derechos legales, consulte a la oficina de asuntos del consumidor local o estatal o al Fiscal de su estado.

**Garantías Extendidas:** Adquiera una garantía extendida de Monogram y conozca los descuentos especiales que están disponibles mientras su garantía aún está vigente. Visite [Monogram.com](http://Monogram.com) o comuníquese al 800.444.1845 para conocer más sobre cómo hacer su adquisición.

**Garante: GE Appliances, a Haier company, Louisville KY, 40225**

**Garante en Canadá: MC COMMERCIAL INC, Burlington, ON, L7R 5B6**

Staple your receipt here. Proof of the original purchase date is needed to obtain service under the warranty.

