

# ZV750SPSS

## GE Monogram® 36" Stainless Steel Wall-Mounted Hood

### Dimensions and Installation Information (in inches)

This vent hood may be installed onto a wall and vented to the outdoors, or it can be installed for recirculating operation. All necessary parts for recirculating operation are supplied with the hood. No kits required.

A decorative duct cover is provided to cover the duct from the top of the hood to a 7'11" to 9'2" ceiling for vent mode (9'6" for recirculating mode).

#### Accessories:

An optional stainless steel duct cover is available for 9' to 10'3" for vent mode (10'8" for recirculating mode) ceiling heights. Order ZX7510SPSS optional duct cover at the same time as the vent hood and have on site before installation.

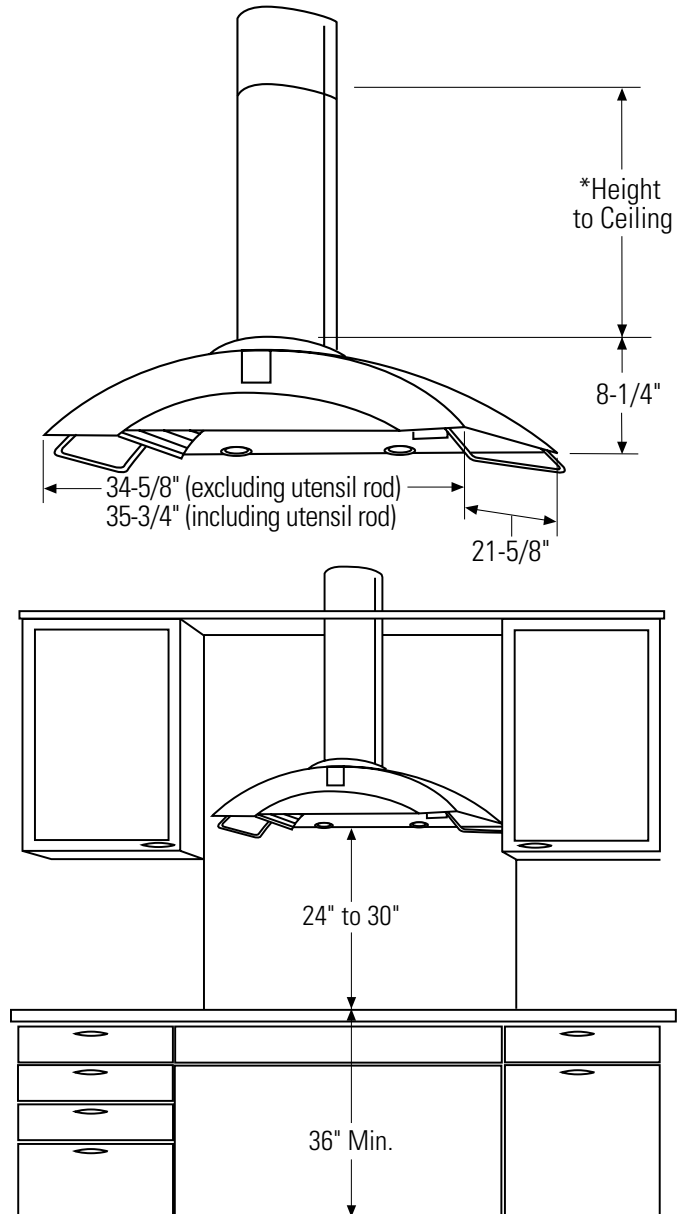
#### Dimensions and Clearances:

The vent hood should be installed 24" min. and 30" max. above the cooking surface. The cooking surface should be at least 36" above the floor. Installation will be easier if the vent hood is installed before the range or cooktop/countertop is installed.

This hood can be installed over a Monogram electric or gas cooktop. It cannot be installed over a Monogram professional rangetop or range.

**Installation Information:** Before installing, consult installation instructions packed with product or available on [monogram.com](http://monogram.com) for current dimensional data.

**Note:** Installation height should be measured from the cooking surface to the lower edge of the hood.



The vent hood must be installed 24" min. and 30" max. above the cooking surface depending on the ceiling height.

For answers to your Monogram® GE Profile™ or GE® appliance questions, visit our website at [geappliances.com](http://geappliances.com) or call GE Answer Center® service, 800.626.2000.



imagination at work



Specification Revised 6/11

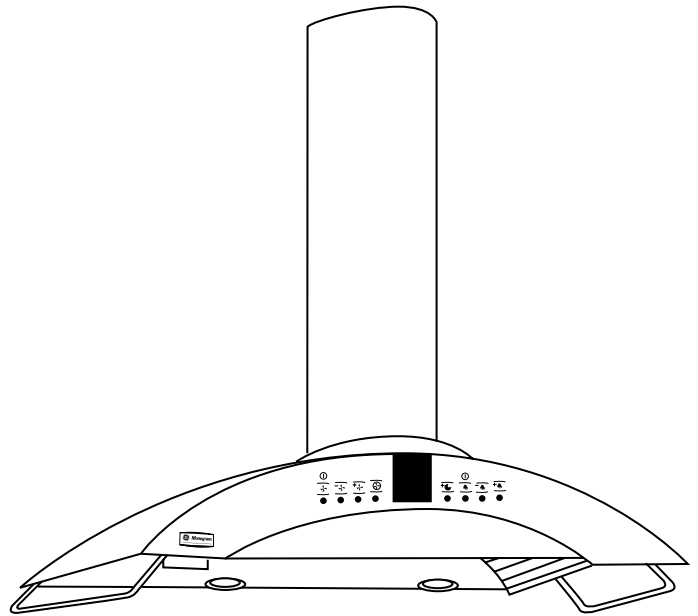
130681

# ZV750SPSS

## GE Monogram® 36" Stainless Steel Wall-Mounted Hood

### Features and Benefits

- Stainless steel design is beautifully finished on all sides to create a look of elegance that enhances any kitchen
- 350-CFM, four-speed fan provides powerful ventilation to help keep the kitchen free of cooking fumes and odors
- Four halogen lights offer six levels of intensity, from ambient to low/night illumination, to meet different needs
- Three removable filters trap airborne grease particles and are dishwasher-safe. An indicator light signals when the filters need cleaning
- A timer can be set for the fan to automatically shut-off after 5, 10 or 20 minutes of operation
- An optional recirculating kit (included) can be installed for internal ventilation
- Model ZV750SPSS – Stainless steel



imagination at work