

OWNER'S MANUAL

30" Chimney Vent Hood

ENGLISH/FRANÇAIS/ESPAÑOL

ELEVATE EVERYTHING

MONOGRAM

Introduction

Your new Monogram chimney hood makes an eloquent statement of style and design. Whether you chose it for its purity of design, assiduous attention to detail—or for both of these reasons—you’ll find that your Monogram chimney hood’s superior blend of form and function will delight you for years to come.

Your Monogram chimney hood was designed to be elegant, yet provide the venting performance you need when cooking. Its sleek design can be beautifully integrated into the kitchen.

The information on the following pages will help you operate and maintain your chimney hood properly.

Contents

Consumer Information	2	Troubleshooting Tips	9
Safety Information	4	Warranty	11
Controls and Features		Consumer Support	12
Controls	6		
Care and Cleaning			
For your safety	7		
Filter panel	7		
Metal grease filter	7		
Charcoal filter	8		
Stainless steel hood surfaces	8		
Light bulbs	8		

Before using your chimney hood

Read this manual carefully. It is intended to help you operate and maintain your new chimney hood properly.
Keep it handy for answers to your questions.

If you don’t understand something or need more help, there is a list of toll-free consumer service numbers included in the back section of this manual.

OR

Visit our Website at: **Monogram.com**

Write down the model & serial numbers

You’ll find them on a label on the hood.
These numbers are also on the Consumer Product Ownership Registration Card packed separately with your hood.
Visit **Monogram.com** and click on “Register Your Appliance” to register your chimney hood.

Before sending in this card, please write these numbers here:

Model Number

Serial Number

Use these numbers in any correspondence or service calls concerning your hood.

If you received a damaged hood

Immediately contact the dealer (or builder) that sold you the hood.

Save time & money

Before you request service, check the Problem Solver in the back of this manual.

It lists causes of minor operating problems that you can correct yourself.

If you need service

To obtain service, see the Consumer Services page in the back of this manual.

We're proud of our service and want you to be pleased. If for some reason you are not happy with the service you receive, here are some steps to follow for further help.

FIRST, contact the people who serviced your appliance. Explain why you are not pleased. In most cases, this will solve the problem.

NEXT, if you are still not pleased, write all the details—including your phone number—to:

Manager, Customer Relations
Monogram
Appliance Park
Louisville, KY 40225

IMPORTANT SAFETY INFORMATION

READ ALL INSTRUCTIONS BEFORE USING THE APPLIANCE

▲WARNING Read all safety instructions before using the product. Failure to follow these instructions may result in fire, electrical shock, serious injury or death.

▲WARNING GENERAL SAFETY INSTRUCTIONS

▲WARNING TO REDUCE THE RISK OF FIRE, ELECTRIC SHOCK OR INJURY TO PERSONS, OBSERVE THE FOLLOWING:

- A. Use this unit only in the manner intended by the manufacturer. If you have questions, contact the manufacturer.
- B. Before servicing or cleaning unit, switch power off at service panel and lock the service disconnecting means to prevent power from being switched on accidentally. When the service disconnecting means cannot be locked, securely fasten a prominent warning device, such as a tag, to the service panel.
- C. Do not use this unit with any solid-state speed control device.
- D. This unit must be grounded.

▲CAUTION FOR GENERAL VENTILATING USE ONLY. DO NOT USE TO EXHAUST HAZARDOUS OR EXPLOSIVE MATERIALS AND VAPORS.

▲WARNING TO REDUCE THE RISK OF INJURY TO PERSONS IN THE EVENT OF A RANGE TOP GREASE FIRE, OBSERVE THE FOLLOWING*:

- A. SMOTHER FLAMES with a close-fitting lid, cookie sheet or metal tray, then turn off the burner. BE CAREFUL TO PREVENT BURNS. If the flames do not go out immediately, EVACUATE AND CALL THE FIRE DEPARTMENT.
- B. NEVER PICK UP A FLAMING PAN—You may be burned.
- C. DO NOT USE WATER, including wet dishcloths or towels—a violent steam explosion will result.

D. Use an extinguisher ONLY if:

- 1. You know you have a Class ABC extinguisher, and you already know how to operate it.
- 2. The fire is small and contained in the area where it started.
- 3. The fire department is being called.
- 4. You can fight the fire with your back to an exit.

*Based on “Kitchen Firesafety Tips” published by NFPA.

▲WARNING TO REDUCE THE RISK OF A RANGE TOP GREASE FIRE:

- A. Never leave surface units unattended at high settings. Boilovers cause smoking and greasy spillovers that may ignite. Heat oils slowly on low or medium settings.
- B. Always turn hood ON when cooking at high heat or when flambéing food (i.e. Crepes Suzette, Cherries Jubilee, Peppercorn Beef Flambé).
- C. Clean ventilating fans frequently. Grease should not be allowed to accumulate on fan or filter.
- D. Use proper pan size. Always use cookware appropriate for the size of the surface element.

▲WARNING TO REDUCE THE RISK OF FIRE, ELECTRIC SHOCK OR INJURY TO PERSONS, OBSERVE THE FOLLOWING:

- A. Installation work and electrical wiring must be done by qualified person(s) in accordance with all applicable codes and standards, including fire-related construction.

READ AND SAVE THESE INSTRUCTIONS

IMPORTANT SAFETY INFORMATION

READ ALL INSTRUCTIONS BEFORE USING THE APPLIANCE

⚠ WARNING GENERAL SAFETY INSTRUCTIONS (Cont.)

- B.** Sufficient air is needed for proper combustion and exhausting of gases through the flue (chimney) of fuel burning equipment to prevent back drafting. Follow the heating equipment manufacturer's guidelines and safety standards such as those published by the National Fire Protection Association (NFPA), and the American Society for Heating, Refrigeration and Air Conditioning Engineers (ASHRAE), and the local code authorities. When applicable, install any makeup (replacement) air system in accordance with local building code requirements. Visit **Monogram.com** for available makeup air solutions.
- C.** When cutting or drilling into wall or ceiling, do not damage electrical wiring and other hidden utilities.
- D.** Ducted fans must always be vented to the outdoors.

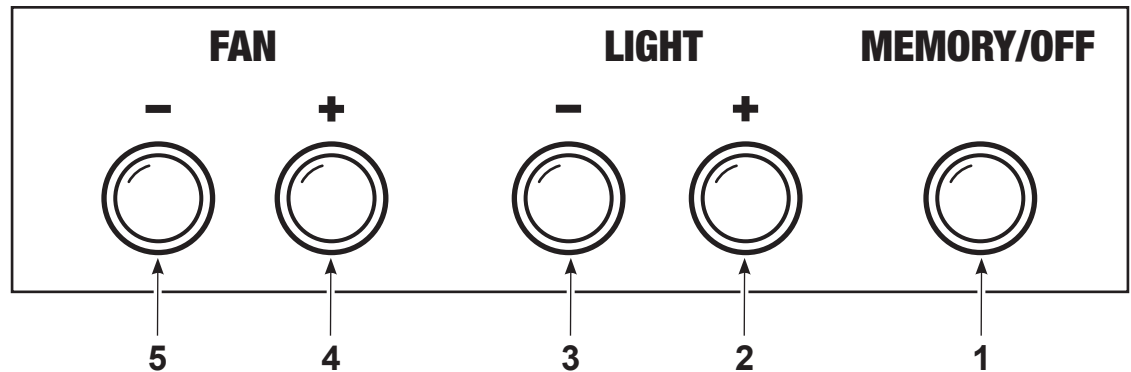
⚠ WARNING TO REDUCE THE RISK OF FIRE, USE ONLY METAL DUCTWORK.

- Do not attempt to repair or replace any part of your hood unless it is specifically recommended in this manual. All other servicing should be referred to a qualified technician.

⚠ CAUTION AUTOMATICALLY OPERATED DEVICE. TO REDUCE THE RISK OF INJURY, DISCONNECT FROM POWER SUPPLY BEFORE SERVICING. THE UNIT IS EQUIPPED WITH AN INTEGRAL DISCONNECTING SWITCH LOCATED INSIDE THE BLOWER HOUSING.

READ AND SAVE THESE INSTRUCTIONS

Controls



- 1. MEMORY/OFF Button.** Press to recall memorized fan and light settings.
To memorize desired fan and light settings:
1. Press the MEMORY/OFF button.
 2. Select desired settings.
 3. Press MEMORY/OFF to save.
- The hood will now turn off and the settings will be memorized.

NOTES:

- When any button is active (turned on), all outer rings will be illuminated.
- The hood can be turned OFF at any time by pressing the MEMORY/OFF button.
- Always deactivate (turn off) the buttons when the hood is not in use.

2. LIGHT INCREASE ON/OFF

Button. Press to turn on or increase light level. The buttons allow you to cycle to the desired setting. (There are four light levels/settings and OFF.)

3. LIGHT DECREASE ON/OFF

Button. Press to turn on or decrease light level. The buttons allow you to cycle to the desired setting. (There are four light levels/settings and OFF.)

4. FAN INCREASE ON/OFF Button.

Press to turn on or increase fan settings. The buttons allow you to cycle to the desired setting. (Use to set the fan speed to LOW, MED, HIGH, BOOST or OFF.)

5. FAN DECREASE ON/OFF

Button. Press to turn on or decrease fan settings. The buttons allow you to cycle to the desired setting. (Use to set the fan speed to LOW, MED, HIGH, BOOST or OFF.)

BOOST—Provides five minutes at the maximum fan setting and then automatically resets fan to HIGH.

NOTE: BOOST can stay on longer than five minutes when activated by the auto sensor.

AUTOMATIC FAN FEATURE—The hood fan will turn on automatically or automatically increase in speed if cooking temperatures become too hot. The fan will turn off automatically or decrease in speed when temperatures cool to an appropriate level.

NOTE: When the automatic feature is on, you can set the fan to a higher setting but not to a lower setting or off.

For your safety

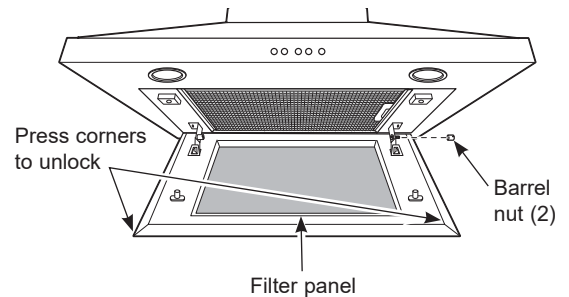
Before servicing or cleaning the unit, switch power off at the service panel and lock the service panel to prevent power from being switched on accidentally. If the service panel cannot be locked, fasten a tag or prominent warning label to the panel.

Filter panel

Grease will accumulate on the filter panel. The panel is dishwasher-safe and should be cleaned every 6 months or as needed.

1. Press in to release and lower the filter cover panel.
2. Remove the hinge barrel nuts and screws on both sides. Shift filter panel to the left and remove.
3. Stand the filter cover panel in the dishwasher with the drain holes facing the bottom.

NOTE: The filter must ALWAYS be in place and the filter panel must ALWAYS be closed when the hood is in use.



Metal grease filter

The metal filter traps grease released by foods from the cooktop. The filter also helps prevent flames (from food, grease) from damaging the inside of the hood.

For this reason, the filter must ALWAYS be in place and the filter panel must ALWAYS be closed when the hood is in use. The grease filter is dishwasher-safe and should be cleaned every 6 months, or as needed.

To remove:

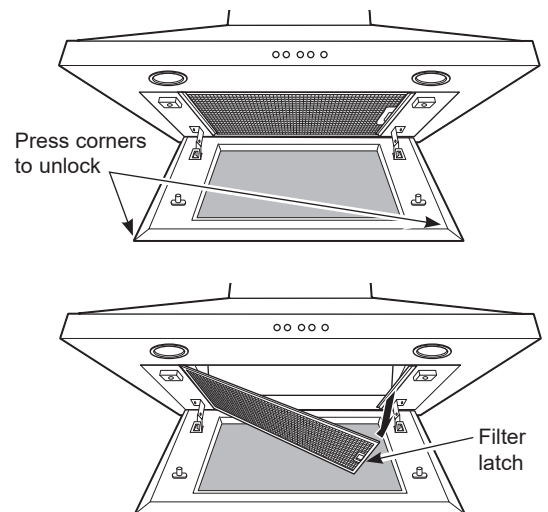
1. Press up on the front two corners of the filter cover panel to unlock. Lower the panel to access the filter.
2. Press the filter latch in to release it. Pull the filter down and out.

To replace:

1. Place the two tabs on the filter edge into the lower locating slots in the left or right side of the hood opening.
2. Push the filter up and snap it into place in the hood.
3. Rotate the filter cover panel up into position and press up on its front two corners to lock it into place.

To clean, swish the filter in hot soapy water and rinse in clean water or wash it in the dishwasher. Do not use abrasive cleansers.

NOTE: Some discoloration will occur in the dishwasher.



Charcoal filter (on some models)

If the model is not vented to the outside, the air will be recirculated through a disposable charcoal filter that helps remove smoke and odors.

The charcoal filter should be replaced when it is noticeably dirty or discolored (usually after 6 to 12 months, depending on hood usage).

NOTE: DO NOT rinse, or put charcoal filter in an automatic dishwasher.

The charcoal filter cannot be cleaned. It must be replaced.

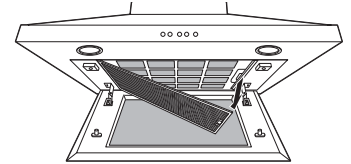
Order Charcoal Filter WB02X11348.

To inquire about purchasing replacement charcoal filters or to find the location of a dealer nearest you, please call our toll-free number:

Monogram Preferred Service: 800.444.1845
Monogram.com

To remove:

1. Remove the metal filter—see Metal grease filter section.
2. Remove the charcoal filter in the same manner as the metal grease filter by pressing the filter latch in to release it. Pull the filter down and out.



To replace:

1. Insert the black charcoal filter into the opening. Push the latch on both sides toward the center and engage the flange.
2. Replace the metal filter—see Metal grease filter section.

Stainless steel hood surfaces

Regularly polish the stainless steel exterior with Stainless Steel Magic™ and the Monogram polishing cloth, to preserve and protect the fine finish.

To avoid scratching the fine finish of the stainless steel, wipe in the same direction as the grain when polishing or cleaning any stainless steel surface.

For regular cleaning, use clean water and a soft cloth. If stains persist, wash with mild dish soap using a soft cloth or nonabrasive pad. For more difficult stains, make a solution consisting of 25% vinegar (white or red) and 75% water. Dip a soft cloth into the solution and rub onto the stainless steel to remove the stain. If these methods do not remove the stains, dirt or debris, call 800.444.1845.

NOTE: Reapply Stainless Steel Magic™ with the Monogram polishing cloth after cleaning or if your unit comes in contact with water, to protect the fine finish.

Stainless Steel Magic™ and the Monogram polishing cloth are available through Monogram Parts and Accessories, 800.444.1845 or **Monogram.com**.

For Stainless Steel Magic™, order part number WX10X15.

Do not use appliance wax or polish on any stainless steel surface.

Do not use scouring pads, powdered cleaners, bleach or cleaners containing bleach because these products can scratch and damage the finish.

Warranty does not cover damage due to improper cleaning methods.

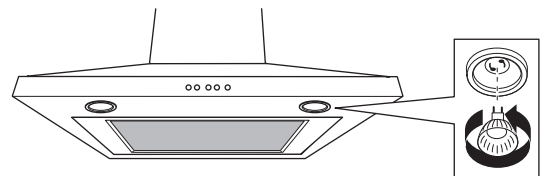
Light bulbs

CAUTION Allow bulbs to cool before touching.

To change the light bulbs:

1. Press and turn the light bulb face 1/4 turn.
2. The bulb will drop straight out.
3. Replace with the same size bulb by placing bulb prongs into the keyhole slots and turning 1/4 turn to lock in place.

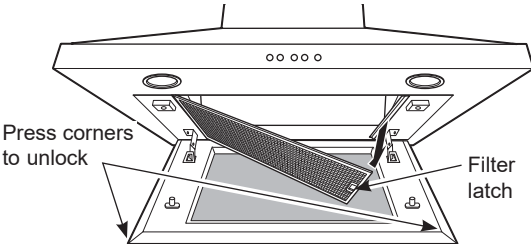
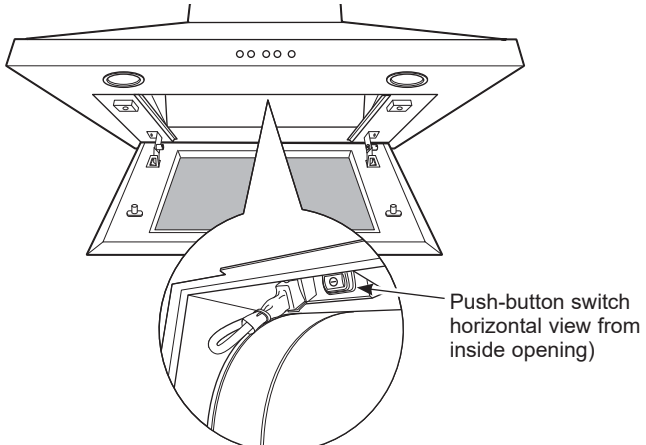
These 120 volt, 50 watt, MR16 halogen bulbs with GU10 bases are available at most specialty lighting stores, building centers and large retailers. Ask for MR16 GU10 base bulb.



NOTE: Do not replace with bulbs greater than 120 volts, 50 watts, or the lights will automatically shut off and the rings around the operating buttons will flash to indicate the bulbs have exceeded the acceptable limits.

Before you call for service

Save time and money! Review the charts on the following pages first and you may not need to call for service.

Problem	Possible Causes	What To Do
<p>Fan automatically turns on or increases in speed and can not be turned off or lowered in speed</p>	<p>The hood fan will turn on automatically or automatically increase in speed if cooking temperatures become too hot. The fan will turn off automatically or decrease in speed when temperatures cool to an appropriate level. Fan will also turn on automatically when the hood electronics are too hot. NOTE: When the automatic fan feature is on, you can set the fan to a higher setting but not to a lower setting or off.</p>	
<p>Fan does not operate when turned on</p>	<p>A fuse may be blown or a circuit breaker tripped.</p> <p>The power disconnect switch inside the hood may be switched off.</p> <p>LOCATE ON/OFF SWITCH.</p> <ol style="list-style-type: none"> 1. Press in to release and lower the filter cover panel at the front. 2. Push the filter latch toward the opening and pull downward to remove. 3. Remove the charcoal filter, if present.  <p>4. Reach into the motor compartment and locate the ON/OFF switch at the front of the opening.</p> <p>5. Press switch to ON position.</p>  <p>NOTE: If the hood blower needs to be removed for service, use the disconnect switch for your safety. Press the switch to the OFF position.</p>	<p>Replace fuse or reset circuit breaker.</p> <p>Remove the metal grease filter and the charcoal filter (if present) and flip the switch on.</p>

Troubleshooting Tips

Chimney Hood

Before you call for service

Problem	Possible Causes	What To Do
Fan fails to circulate air or moves air slower than normal		Check to be sure the metal grease filter and the charcoal filter (if present) are clean. Clean the metal grease filter (see the Metal grease filter section) and, if the hood is recirculated (not vented to the outside), replace the charcoal filter (see the Charcoal filter section). If cleaning and replacing the filters does not correct the problem, call for service.
	Sufficient makeup (replacement) air is required for exhausting appliances to operate to rating.	Check with local building codes, which may require or strongly advise the use of makeup air. Visit Monogram.com for available makeup air solutions.
Fan keeps going off and on	The motor is probably overheating and turning itself off. This can be harmful to the motor.	Check to be sure the filter is clean and check ductwork for blockage. If off and on cycling continues, call for service.
Lights will not work and rings around the operating buttons are flashing	Light(s) were replaced with bulbs with greater than the 120 volt, 50 watt limit.	Replace with the correct type and size bulb. See the Light bulbs section.
Light will not stay on high setting		Use 120 volt, 50 watt, MR16 halogen bulbs with a GU10 base and make sure they are inserted securely. It is important to replace with bulbs that do not exceed the recommended wattage. Higher wattage bulbs will cause the outer rings to blink, and the lights will not function at the highest levels. See the Light bulbs section.
The hood controls are not operating correctly		Disconnect power to the hood by turning the circuit breaker off or by removing the fuse in the home fuse box. Wait 30 seconds to allow the hood controls to reset and then replace the fuse or move the circuit breaker back on.
Sequential presses of the light or fan buttons will change the setting from the lowest setting to off to the highest setting, or from the highest setting to off to the lowest setting	So that you can easily set the controls to the desired setting, the hood is designed for the light and fan buttons to cycle through the settings.	This is normal
When pressing the Memory/Off button to turn on the light, the fan comes on instead	For your convenience, it is normal for the lights and fan to remember their last setting when you press the Memory/Off button.	If you want only the lights on, press the "FAN +" (or the "FAN -") button to turn the fan off. When you power the hood up next time, only the lights will function. NOTE: You may turn the fan and lights off or on separately, using the "+" or "-" buttons.

YOUR MONOGRAM HOOD WARRANTY

Staple sales slip or cancelled check here. Proof of original purchase date is needed to obtain service under warranty.

WHAT IS COVERED

From the Date of the Original Purchase

LIMITED TWO-YEAR WARRANTY

For two years from date of original purchase, we will provide, free of charge, parts and service labor in your home to repair or replace **any part of the vent hood** that fails because of a manufacturing defect.

This warranty is extended to the original purchaser and any succeeding owner for products purchased for ordinary home use in the 48 mainland states, Hawaii, Washington, D.C. or Canada. If the product is located in an area where service by a Monogram Authorized Servicer is not available, you may be responsible for a trip charge or you may be required to bring the product to an Authorized Monogram Service location for service. In Alaska the warranty is the same except that it is LIMITED because you must pay to ship the product to the service shop or for the service technician's travel costs to your home.

All warranty service will be provided by our Factory Service Centers or by our authorized Customer Care® servicers during normal working hours.

Should your appliance need service, during warranty period or beyond, in the USA call 800.444.1845. In Canada: 888.880.3030. Please have your serial number and model number available when calling for service.

WHAT IS NOT COVERED

- Service trips to your home to teach you how to use the product.
- Replacement of house fuses or resetting of circuit breakers.
- Incidental or consequential damage caused by possible defects with this appliance.
- Replacement of the replaceable filters.
- Damage to the product caused by accident, fire, floods or acts of God.
- Damage caused after delivery.
- Failure of the product if it is used for other than its intended purpose or used commercially.
- Improper installation. If you have an installation problem, contact your dealer or installer. You are responsible for providing adequate electrical, gas, exhausting and other connecting facilities as described in the Installation Instructions provided with the product.
- Product not accessible to provide required service.
- Installation or service for a makeup (replacement) air system.

EXCLUSION OF IMPLIED WARRANTIES

Your sole and exclusive remedy is product repair as provided in this Limited Warranty. Any implied warranties, including the implied warranties of merchantability or fitness for a particular purpose, are limited to one year or the shortest period allowed by law.

Some states do not allow the exclusion or limitation of incidental or consequential damages, so the above limitation or exclusion may not apply to you. This warranty gives you specific legal rights, and you may also have other rights which vary from state to state.

To know what your legal rights are in your state, consult your local or state consumer affairs office or your state's Attorney General.

Warrantor: GE Appliances, a Haier company

Warrantor in Canada: MC COMMERCIAL INC, Burlington, ON, L7R 5B6

With the purchase of your new Monogram appliance, receive the assurance that if you ever need information or assistance from Monogram, we will be there. All you have to do is call!

Register Your Appliance

Register your new appliance on-line at your convenience! Timely product registration will allow for enhanced communication and prompt service under the terms of your warranty, should the need arise. You may also mail in the pre-printed registration card included in the packing material.
In the US: **Monogram.com**
In Canada: **Prodsupport.mabe.ca/crm/Products/ProductRegistration.aspx**

Schedule Service

Expert Monogram repair service is only one step away from your door. Get on-line and schedule your service at your convenience any day of the year.
In the US: **Monogram.com**
or call 800.444.1845 during normal business hours.
In Canada: **GEAppliances.ca/en/support/service-request** or call 888.880.3030

Extended Warranties

Purchase a Monogram extended warranty and learn about special discounts that are available while your warranty is still in effect.
In the US: **Monogram.com**
or call 800.444.1845 during normal business hours.
In Canada: **GEAppliances.ca/en/support/purchase-extended-warranty** or call 888.880.3030

Remote Connectivity

For assistance with wireless network connectivity (for models with remote enable), visit our website at **Monogram.com** or call 800.444.1845 in the US only.

Parts and Accessories

Individuals qualified to service their own appliances can have parts or accessories sent directly to their homes (VISA, MasterCard and Discover cards are accepted). Order on-line today 24 hours every day.
In the US: **Monogram.com** or by phone at 800.444.1845 during normal business hours.

Instructions contained in this manual cover procedures to be performed by any user. Other servicing generally should be referred to qualified service personnel. Caution must be exercised, since improper servicing may cause unsafe operation.

Customers in Canada should consult the yellow pages for the nearest MC Commercial service center, visit our website at **GEAppliances.ca/en/products/parts-filters-accessories** or call 888.880.3030.

MANUEL DU PROPRIÉTAIRE

30" (76,2 cm) Hotte aspirante

ELEVATE EVERYTHING

MONOGRAM

Introduction

Votre nouvelle hotte aspirante Monogram constitue une démonstration éloquentes du style et dessin. Que vous la choisissiez pour la pureté de son design, pour l'attention soignée de ses détails—ou pour ces deux raisons à la fois—vous vous apercevrez que la fusion supérieure de forme et de fonction de votre hotte aspirante Monogram vous ravira pour les années à venir.

Votre hotte Monogram a été conçue dans un souci d'élégance, tout en garantissant les performances d'aspiration dont vous avez besoin pour cuisiner. Son design aux lignes pures s'intégrera parfaitement dans votre cuisine.

Les informations des pages suivantes vous aideront à utiliser et à entretenir correctement votre hotte aspirante.

Table des matières

Information de consommateur	2	Trucs de dépannage	9
Consignes de sécurité importantes	4	Garantie	11
Commandes et fonctions		Soutien au consommateur	12
Commandes	6		
Nettoyage et entretien			
Pour votre sécurité	7		
Panneau filtrant	7		
Filtre métallique à graisse	7		
Filtre à charbon	8		
Surfaces de la hotte en acier inoxydable	8		
Ampoules	8		

Avant d'utiliser votre hotte aspirante

Lisez attentivement ce manuel. Il a été conçu pour vous aider à utiliser et à entretenir correctement votre nouvelle hotte aspirante.

Conservez-le à portée de main pour répondre à vos questions.

Si vous ne comprenez pas quelque chose ou que vous avez besoin d'aide, vous trouverez la liste des numéros d'appel gratuit du service après-vente au verso de la couverture de ce manuel.

OU

Visitez notre site web sur : **Monogram.com**

Notez les numéros de modèle et de série

Vous les trouverez sur l'étiquette de la hotte.

Ces numéros figurent également sur la carte d'enregistrement de propriété du produit emballé séparément avec votre hotte.

Allez sur Monogram.com et cliquez sur "Enregistrez votre appareil" pour enregistrer votre hotte aspirante.

Avant d'envoyer la carte, veuillez noter les numéros ici :

Numéro de modèle

Numéro de série

Utilisez ces numéros dans toute correspondance ou pour tout appel au service après-vente, concernant votre hotte.

Si vous recevez une hotte endommagée

Contactez immédiatement le revendeur (ou le constructeur) qui vous a vendu la hotte.

Économisez du temps et de l'argent

Avant de demander l'assistance, reportez-vous au résolveur de problème figurant au dos de ce manuel.

Il répertorie les causes des dysfonctionnements mineurs que vous pouvez corriger par vos propres moyens.

En cas de besoin d'assistance

Pour utiliser le service, consultez la page du service au verso de la couverture de ce manuel.

Nous sommes fiers de notre service et nous voulons que vous en soyez satisfait. Si, pour une quelconque raison, vous êtes mécontent du service fourni, voici la procédure à suivre pour obtenir une aide supplémentaire.

PREMIÈREMENT, contactez la personne qui a réparé votre appareil. Expliquez-lui les raisons de votre mécontentement. Dans la plupart des cas, cela résoudra le problème.

ENSUITE, si vous êtes toujours mécontent, écrivez tous les détails—y compris votre numéro de téléphone—à :

Manager, Customer Relations
Monogram
Appliance Park
Louisville, KY 40225

CONSIGNES DE SÉCURITÉ IMPORTANTES

VEUILLEZ LIRE TOUTES LES CONSIGNES AVANT D'UTILISER L'APPAREIL

⚠ AVERTISSEMENT

Veillez lire toutes les consignes avant d'utiliser ce produit. Le non-respect de ces instructions pourrait entraîner un incendie, un choc électrique, une blessure grave voire la mort.

⚠ AVERTISSEMENT

CONSIGNES GÉNÉRALES DE SÉCURITÉ

⚠ AVERTISSEMENT

POUR RÉDUIRE LE RISQUE D'INCENDIE, DE SECOURS ÉLECTRIQUE OU DE BLESSURE CORPORELLE, OBSERVEZ LES PRÉCAUTIONS SUIVANTES :

- A. N'utilisez cet appareil que de la manière prévue par le fabricant. Si vous avez des questions, appelez le fabricant.
- B. Avant de réparer ou de nettoyer votre appareil, débranchez le courant au niveau du panneau de service et verrouillez les mécanismes de débranchement de service pour éviter tout branchement accidentel au courant. Si vous ne pouvez pas verrouiller les mécanismes de débranchement de service, attachez soigneusement un avertissement bien visible, comme une étiquette, au panneau de service.
- C. N'utilisez jamais cet appareil avec un mécanisme de réglage de la vitesse à semi-conducteurs.
- D. Cet appareil doit être bien mis à la terre.

⚠ ATTENTION

UNIQUEMENT À USAGE DE VENTILATION GÉNÉRALE. N'UTILISEZ JAMAIS POUR L'ÉCHAPPEMENT DE MATIÈRES ET DE VAPEURS EXPLOSIVES.

⚠ AVERTISSEMENT

POUR RÉDUIRE LE RISQUE DE BLESSURE CORPORELLE SI DE LA GRAISSE PREND FEU SUR LA SURFACE DE CUISSON DU FOUR, SUIVEZ LES INSTRUCTIONS SUIVANTES* :

- A. ÉTOUFFEZ LES FLAMMES avec un couvercle qui convient, une tôle à biscuits ou un plateau en métal, puis éteignez le brûleur. FAITES BIEN ATTENTION DE NE PAS VOUS BRÛLER. Si les flammes ne s'éteignent pas immédiatement, SORTEZ ET APPELEZ LES POMPIERS.
- B. NE DÉPLACEZ JAMAIS UNE CASSEROLLE QUI FLAMBE—Vous pouvez vous brûler.
- C. N'UTILISEZ JAMAIS D'EAU, en particulier de serviette ou de chiffon mouillé—il se produira une explosion violente de vapeur brûlante.

D. N'UTILISEZ UN EXTINCTEUR que si :

1. Vous avez un extincteur de classe ABC et vous savez comment l'utiliser;
2. Le feu est réduit et confiné à l'endroit où il a commencé;
3. Vous avez déjà appelé les pompiers;
4. Vous combattez les flammes en tournant le dos à une sortie.

* Basé sur l'ouvrage intitulé «Kitchen Fire Safety Tips» publié par la NFPA.

⚠ AVERTISSEMENT

RÉDUISEZ LE RISQUE D'UN FEU DE GRAISSE SUR LA SURFACE DE CUISSON DU FOUR :

- A. Ne laissez jamais sans surveillance les unités de cuisson de surface à une température élevée. Le bouillonnement occasionne des débordements fumants et grasseux qui peuvent prendre feu. Chauffez à feu doux les substances huileuses, avec un réglage bas ou moyen.
- B. Ne préparez pas des mets flambés sur la cuisinière. Si vous préparez des mets flambés sous la hotte, mettez le ventilateur en marche.
- C. Nettoyez les mécanismes de ventilation fréquemment. Il ne faut pas permettre une accumulation de graisse sur le ventilateur ou sur le filtre.
- D. Utilisez une casserole de bonne taille. Utilisez toujours un ustensile de cuisine qui convienne au diamètre de l'élément de cuisson.

⚠ AVERTISSEMENT

POUR RÉDUIRE LE RISQUE D'INCENDIE, DE SECOURS ÉLECTRIQUE OU DE BLESSURE CORPORELLE, OBSERVEZ LES PRÉCAUTIONS SUIVANTES :

- A. Vous devez faire exécuter tous les travaux d'installation et de câblage électrique par une personne qualifiée, conformément à tous les codes et les normes en vigueur, en particulier ceux de construction relatifs aux incendies.

LISEZ CES INSTRUCTIONS ET RANGEZ-LES SOIGNEUSEMENT

CONSIGNES DE SÉCURITÉ IMPORTANTES

VEUILLEZ LIRE TOUTES LES CONSIGNES AVANT D'UTILISER L'APPAREIL

⚠ AVERTISSEMENT CONSIGNES GÉNÉRALES DE SÉCURITÉ (suite)

- B.** Vous devez assez d'air pour avoir une bonne combustion et permettre l'évacuation des gaz par le conduit de cheminée du matériel de combustion du carburant, afin d'éviter tout retour d'air. Suivez les directives du fabricant de matériel de combustion et les normes de sécurité comme celles publiées par la National Fire Protection Association (NFPA) et l'American Society for Heating, Refrigeration and Air Conditioning Engineers (ASHRAE), ainsi que les modalités des codes locaux. Le cas échéant, installez un système de compensation d'air (remplacement) conformément aux conditions des codes locaux du bâtiment. Visitez le site **Monogram.com** pour connaître les solutions offertes en matière de système de compensation d'air.
- C.** Si vous faites un trou ou une ouverture dans un mur ou un plafond, n'endommagez pas les fils électriques et les autres installations cachées de service public.
- D.** Vous devez toujours alimenter les ventilateurs dans les conduits en air en provenance de l'extérieur.

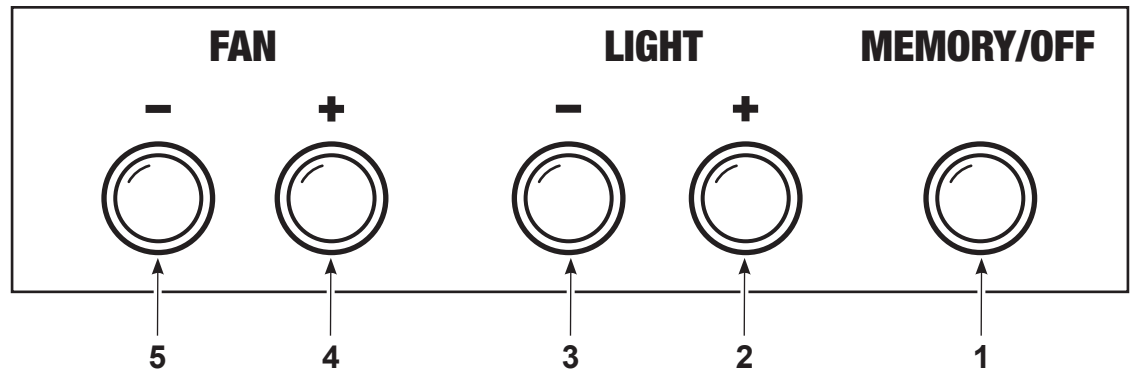
⚠ AVERTISSEMENT POUR RÉDUIRE LE RISQUE D'INCENDIE, N'UTILISEZ QUE DES CONDUITS EN MÉTAL.

- N'essayez jamais de remplacer ou de réparer un élément de votre hotte si le présent manuel ne le recommande pas expressément. Tout autre entretien doit être effectué par un technicien qualifié.

⚠ ATTENTION APPAREIL COMMANDÉ AUTOMATIQUEMENT. AFIN DE RÉDUIRE LES RISQUES DE BLESSURE, DÉBRANCHEZ L'APPAREIL DE L'ALIMENTATION ÉLECTRIQUE AVANT DE PROCÉDER À UNE RÉPARATION. L'APPAREIL EST ÉQUIPÉ D'UN SECTIONNEUR INTÉGRAL SITUÉ À L'INTÉRIEUR DU LOGEMENT DU VENTILATEUR.

LISEZ CES INSTRUCTIONS ET RANGEZ-LES SOIGNEUSEMENT

Commandes



- 1. Bouton MEMORY/OFF.** Appuyez pour afficher les paramètres mémorisés de ventilateur et de luminosité.
 Pour mémoriser les paramètres de ventilateur et de luminosité :
 1. Appuyez sur le bouton MEMORY/OFF.
 2. Sélectionnez les paramètres souhaités.
 3. Appuyez sur MEMORY/OFF pour enregistrer.
 La hotte va désormais s'éteindre et les paramètres seront conservés.

NOTES:

- Lorsqu'un bouton est actif (enclenché), tous les anneaux externes seront allumés.
- La hotte peut être mise sous tension (OFF) à tout instant en appuyant sur le bouton MEMORY/OFF.
- Veillez à toujours désactiver (éteindre) les boutons si vous ne comptez pas utiliser la hotte.

2. Bouton LIGHT INCREASE

ON/OFF. Appuyez dessus pour enclencher ou augmenter le niveau de luminosité. Les boutons vous permettent de naviguer jusqu'au paramètre souhaité. (Quatre niveaux/paramètres de luminosité sont disponibles ainsi que OFF.)

3. Bouton LIGHT DECREASE

ON/OFF. Appuyez dessus pour enclencher ou baisser le niveau de luminosité. Les boutons vous permettent de naviguer jusqu'au paramètre souhaité. (Quatre niveaux/paramètres de luminosité sont disponibles ainsi que OFF.)

4. Bouton FAN INCREASE

ON/OFF. Appuyez dessus pour enclencher ou augmenter les paramètres du ventilateur. Les boutons vous permettent de naviguer jusqu'au paramètre souhaité. (Utilisez-les pour régler la vitesse du ventilateur sur LOW, MED, HIGH, BOOST ou OFF.)

5. Bouton FAN DECREASE

ON/OFF. Appuyez dessus pour enclencher ou baisser les paramètres du ventilateur. Les boutons vous permettent de naviguer jusqu'au paramètre souhaité. (Utilisez-les pour régler la vitesse du ventilateur sur LOW, MED, HIGH, BOOST ou OFF.)

BOOST—Fournit cinq minutes au niveau maximum du ventilateur et redémarre automatiquement le ventilateur sur HIGH.

NOTE : BOOST peut rester plus de cinq minutes dès lors qu'il est activé par le capteur automatique.

FONCTION VENTILATEUR AUTOMATIQUE—
 Le ventilateur de la hotte s'enclenchera automatiquement ou augmentera sa vitesse automatiquement si les températures de cuisson sont trop élevées. Le ventilateur s'éteindra automatiquement ou baissera sa vitesse lorsque les températures baissent pour atteindre un niveau acceptable.

NOTE : Lorsque la fonction automatique est activée, vous pouvez régler le ventilateur sur un niveau plus élevé mais non pas sur un niveau inférieur ou sur OFF.

Pour votre sécurité

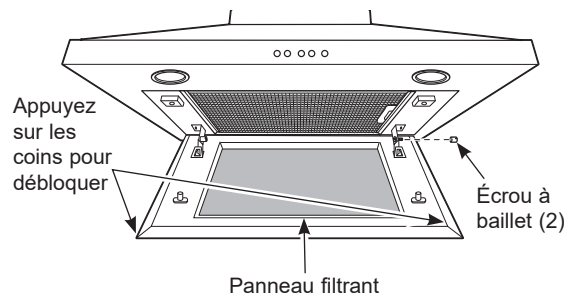
Avant de réparer ou de nettoyer l'appareil, mettez-le hors service à l'aide du tableau de commande et verrouillez-le afin d'éviter que l'alimentation ne s'enclenche par inadvertance. Si le tableau ne peut être verrouillé, fixez une étiquette ou étiquette d'avertissement bien apparente sur le tableau.

Panneau filtrant

La graisse s'accumulera sur le panneau filtrant. Le panneau est lavable au lave-vaisselle et doit être nettoyé tous les 6 ou selon les besoins.

1. Appuyez pour relâcher ou abaisser le panneau filtrant.
2. Retirez les écrous à barillets articulés et les vis situés aux deux extrémités. Placez le panneau filtrant sur la gauche et retirez-le.
3. Installez le panneau filtrant dans le lave-vaisselle avec les orifices de purge situés vers le bas.

NOTE : Le filtre doit TOUJOURS être bien en place et le panneau filtrant doit TOUJOURS être fermé lorsque la hotte est utilisée.



Filtre métallique à graisse

Le filtre métallique attrape la graisse laissée par les aliments de la table de cuisson. Le filtre permet également d'éviter que les flammes (provenant des aliments, de la graisse) abîment l'intérieur de la hotte.

Pour cette raison, le filtre doit TOUJOURS être bien en place et le panneau filtrant doit TOUJOURS être fermé lorsque la hotte est utilisée. Le filtre à graisse peut être lavé au lave-vaisselle et il doit être nettoyé tous les 6 mois ou selon les besoins.

Pour le retirer :

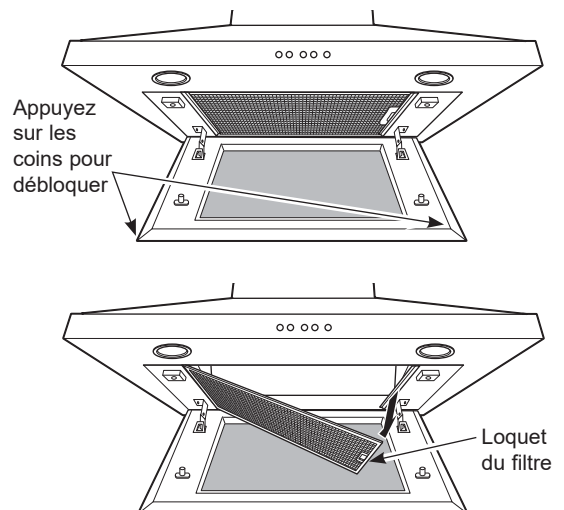
1. Appuyez sur les deux coins avant du panneau filtrant pour débloquer. Abaissez le panneau pour accéder au filtre.
2. Appuyez sur le loquet du filtre pour le relâcher. Rabattez et tirez le filtre.

Pour le remplacer :

1. Placez les deux languettes de l'extrémité du filtre dans les fentes de montage inférieures sur le côté droit ou gauche de l'ouverture de la hotte.
2. Tirez le filtre et placez-le correctement dans la hotte.
3. Pivotez le panneau filtrant dans sa position et enfoncez ses deux coins avant pour le fixer.

Pour le nettoyer, trempez le filtre dans de l'eau chaude savonneuse et rincez à l'eau froide ou lavez-le dans le lave-vaisselle. N'utilisez pas de nettoyants abrasifs.

NOTE : Le lave-vaisselle risque de provoquer des décolorations.



Filtre à charbon (sur certains modèles)

Si le modèle n'est pas ventilé vers l'extérieur, l'air sera renvoyé à travers un filtre à charbon actif jetable qui permet d'évacuer la fumée et les odeurs.

Le filtre à charbon doit être remplacé lorsqu'il est particulièrement sale ou décoloré (en général après 6 à 12 mois, en fonction de l'utilisation qui est faite du filtre).

NOTE : NE rincez PAS, ou NE mettez PAS le filtre à charbon actif dans un lave-vaisselle automatique.

Le filtre à charbon actif ne peut être nettoyé. Il doit être remplacé.

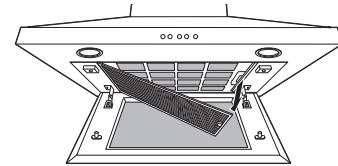
Commander un filtre à charbon actif WB02X11348.

Pour savoir où commander des filtres à charbon de rechange ou pour connaître l'adresse du revendeur le plus proche, veuillez appeler gratuitement le :

**Service privilégié de Monogram : 800.444.1845
Monogram.com**

Pour le retirer :

1. Retirez le filtre métallique—voir la section Filtre métallique à graisse.
2. Retirez le filtre à charbon de la même manière que le filtre à graisse en appuyant sur le loquet du filtre pour le relâcher. Rabattez ou tirez sur le filtre.



Pour le remplacer :

1. Insérez le filtre à charbon noir dans l'ouverture. Poussez le verrou des deux côtés vers le centre et engagez le bride.
2. Remplacez le filtre métallique—voir la section Filtre métallique à graisse.

Surfaces de la hotte en acier inoxydable

Cirez régulièrement l'extérieur en acier inoxydable à l'aide du produit Stainless Steel Magic™ et du chiffon de cirage Monogram afin de préserver et de protéger la finition.

Afin d'éviter de rayer la finition en acier inoxydable, essuyez dans le même sens que le grain lorsque vous cirez ou nettoyez une surface en acier inoxydable.

Pour un nettoyage régulier, utilisez de l'eau propre et un tissu doux. Si la tâche persiste, lavez avec du liquide de vaisselle non corrosif à l'aide d'un chiffon doux ou d'une lingette non abrasive. Pour les tâches les plus difficiles, élaborer une solution composée de 25 % de vinaigre (blanc ou rouge) et de 75 % d'eau. Plongez un tissu doux dans la solution et grattez sur l'acier inoxydable pour retirer la tâche. Si vous ne parvenez pas à retirer les tâches, saletés ou les résidus, appelez 888.880.3030.

NOTE : Appliquez à nouveau le produit pour acier inoxydable Stainless Steel Magic™ à l'aide du chiffon de cirage Monogram après nettoyage ou si votre appareil entre en contact avec l'eau afin de protéger la finition.

Le produit Stainless Steel Magic™ et le chiffon de cirage Monogram sont disponibles parmi les composants et accessoires Monogram, en appelant le 888.880.3030 ou sur **Monogram.com**.

Pour le produit Stainless Steel Magic™, commandez en indiquant le numéro de pièce WX10X15.

N'utilisez pas de cire ou de lustrant pour appareil sur une surface en acier inoxydable.

N'utilisez pas de lingettes de décapage, de poussière nettoyante, d'eau de Javel ou de nettoyeurs contenant de l'eau de Javel, ces produits étant susceptibles de rayer ou d'abîmer la finition.

La garantie ne couvre pas les dommages dus à des méthodes de nettoyage inappropriées.

Ampoules

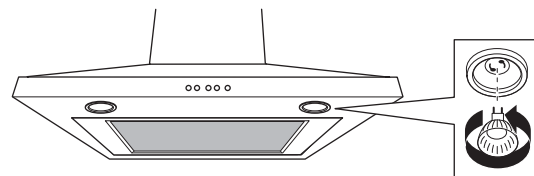
ATTENTION

Laissez les ampoules refroidir avant de les toucher.

Pour remplacer les ampoules :

1. Appuyez et pivotez l'ampoule d'un 1/4 de tour.
2. L'ampoule tombera d'elle-même.
3. Remplacez-la par une ampoule de la même taille en plaçant les broches de l'ampoule dans les orifices et en pivotant d'un 1/4 de tour pour la fixer.

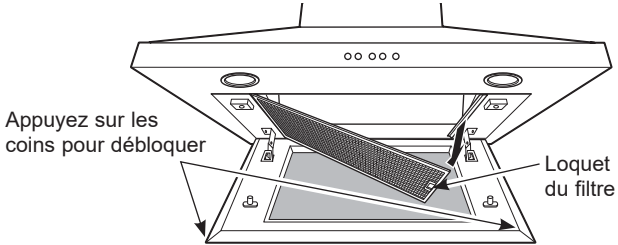
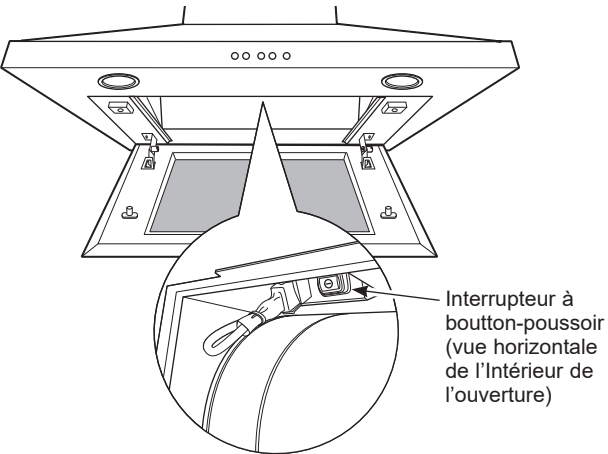
Ces ampoules halogènes 120 volts, 50 watts, MR16 à culots GU10 sont disponibles auprès de boutiques spécialisées, centres de construction et de détaillants. Demandez l'ampoule à culot MR16 GU10.



NOTE : Ne les remplacez pas par des ampoules supérieures à 120 volts, 50 watts, ou les lampes s'éteindront automatiquement et les anneaux autour des boutons de mise en marche clignoteront afin d'indiquer que les ampoules ont dépassé les limites acceptables.

Avant d'appeler le service à la clientèle

Économisez du temps et de l'argent! Consultez les tableaux des pages suivantes, et vous n'aurez peut-être pas à appeler le service à la clientèle.

Problème	Causes possibles	Que faire
Le ventilateur s'enclenche automatiquement ou sa vitesse baisse et il ne peut être éteint ou sa vitesse être réduite	Le ventilateur de la hotte s'enclenchera automatiquement ou sa vitesse baissera automatiquement si les températures de cuisson augmentent de façon excessive. Le ventilateur s'éteindra automatiquement ou la vitesse baissera lorsque les températures baisseront jusqu'à un niveau approprié. Le ventilateur s'enclenchera également automatiquement lorsque la hotte est trop chaude. NOTE : Lorsque la fonction automatique du ventilateur est activée, vous pouvez le régler sur un niveau supérieur et non pas sur un niveau inférieur ou sur off.	
Le ventilateur ne fonctionne pas même allumé	Il se peut qu'un fusible soit grillé ou qu'un disjoncteur soit enclenché.	Remplacez le fusible ou réglez à nouveau le disjoncteur.
	Le commutateur de la hotte peut être éteint.	Retirez le filtre métallique à graisse et le filtre à charbon actif (si présent) et enclenchez le commutateur.
<p>REPÉREZ LE COMMUTATEUR ON/OFF.</p> <ol style="list-style-type: none"> Appuyez pour relâcher ou abaisser le panneau filtrant sur l'avant. Enfoncez le loquet du filtre vers l'orifice et appuyez dessus pour le retirer. Retirez le filtre à charbon actif, si présent.  <ol style="list-style-type: none"> Accédez au compartiment à moteur et repérez le commutateur ON/OFF à l'avant de l'ouverture. Appuyez le commutateur sur la position ON.  <p>NOTE : Si l'aspirateur de la hotte doit être retiré pour une réparation, utilisez le commutateur pour votre sécurité. Appuyez le commutateur sur la position OFF.</p>		

Avant d'appeler le service à la clientèle

Problème	Causes possibles	Que faire
Le ventilateur ne fait pas circuler l'air ou déplace l'air plus		Vérifiez le filtre métallique à graisse et le filtre à charbon actif (si présent) sont propre. Nettoyez le filtre métallique à graisse (voir le section Filtre métallique à graisse) et si la hotte est recyclée LENTEMENT QUE LA (non ventilé vers l'extérieur), remplacez le filtre à charbon actif NORMALE (voir le section Filtre à charbon actif). Si malgré le nettoyage et le remplacement des filtres le problème persiste, appelez le service d'assistance.
	L'air de compensation (remplacement) suffisant est nécessaire pour évacuer les appareils pour fonctionner au classement.	Vérifiez avec les codes locaux du bâtiment, qui peuvent exiger ou conseiller vivement l'utilisation d'air de compensation. Visitez le site Monogram.com pour connaître les solutions offertes en matière de système de compensation d'air.
Le ventilateur ne cesse de s'éteindre et de s'allumer	Le moteur surchauffe probablement et s'éteint. Ceci risqué d'endommager le moteur.	Vérifiez que le filtre est propre et si la tuyauterie est obstruée. Si le problème persiste, appelez le service d'assistance.
Les lampes ne fonctionnent pas et les anneaux situés autour des boutons de mise en marche clignotent	Les lampe(s) ont été remplacées par des ampoules supérieures à 120 volts, 50 watts.	Remplacez-les par des ampoules de taille et de type adéquats. Consultez la section Ampoules.
La lampe ne restera pas sur le niveau élevé		Utilisez des ampoules halogènes de type 120 volts, 50 watts, des ampoules halogènes MR16 halogènes à culot GU10 et assurez-vous qu'elles ont été correctement introduites. Il est important de les remplacer par des ampoules ne dépassant pas le wattage autorisé. Des ampoules dont le wattage est supérieur provoqueront le clignotement des anneaux externes et les lampes ne fonctionneront pas au niveau élevé. Consultez la section Ampoules.
Les commandes de la hotte ne fonctionnent pas correctement		Coupez l'alimentation de la hotte en désactivant le disjoncteur ou en retirant le fusible de la boîte à fusibles de votre domicile. Patientez 30 secondes pour que les commandes de la hotte se réinitialisent, puis replacez le fusible et enclenchez à nouveau le disjoncteur.
Si vous appuyez plusieurs fois sur les boutons de la lampe ou du ventilateur, les réglages changeront du niveau le plus bas au niveau off au niveau le plus élevé, ou du plus élevé au niveau off au niveau le plus bas	Vous pouvez par conséquent régler les commandes sur le niveau souhaité, la hotte a été conçue de manière que les boutons de lampe et de ventilateur permettent de naviguer dans les réglages.	C'est tout à fait normal.
Lorsque vous appuyez sur le bouton Memory/ Off pour allumer la lampe, le ventilateur s'enclenche	Pour votre confort, les lampes et le ventilateur se souviennent du dernier réglage lorsque vous appuyez sur le bouton Memory/Off.	Si vous souhaitez n'allumer que les lampes, appuyez sur le bouton "FAN +" (ou le "FAN -") pour éteindre le ventilateur. Lorsque vous rallumerez la hotte, les lampes seront les seules à fonctionner. NOTE : Vous pouvez allumer ou éteindre le ventilateur et les lampes séparément, à l'aide des boutons « + » ou « - ».

GARANTIE DE VOTRE HOTTE MONOGRAM

Agrafez ici le chèque oblitéré ou le reçu de votre achat. La preuve d'achat originale sera nécessaire pour bénéficier du service après-vente pendant la période de garantie.

COUVERT PAR LA GARANTIE

À partir de la date d'achat initial

GARANTIE DE DEUX ANS LIMITÉE

Durant deux ans à partir de la date d'achat initial, nous fournirons gratuitement les pièces et la main-d'oeuvre à votre domicile, pour réparer ou remplacer **n'importe quelle partie de la hotte** qui serait défectueuse à cause d'un défaut de fabrication.

Cette garantie est étendue à l'acheteur original et à tout propriétaire successif pour les appareils achetés pour un usage domestique ordinaire dans les 48 États continentaux, à Hawaii, à Washington D.C. ou au Canada. Si cet appareil est installé dans un endroit où il n'existe pas de service agréé Monogram, vous pouvez avoir à prendre en charge les frais de transport, ou il peut vous être demandé d'apporter l'appareil dans un service Monogram agréé pour réparation. En Alaska, la garantie est la même, sauf qu'elle est LIMITÉE parce que vous devez prendre en charge les frais de transport au magasin ou les frais de déplacement du technicien du service à votre domicile.

Tous les services de garantie sont fournis par nos centres de service d'usine, ou par un technicien Customer Care® agréé, pendant les heures de travail normales.

Dans le cas où votre appareil nécessiterait une intervention, pendant la période de garantie ou au-delà, appelez le 800.444.1845 aux États-Unis. Au Canada, appelez le 888.880.3030. Munissez-vous du numéro de modèle et du numéro de série lors de votre appel au service après-vente.

NON COUVERT PAR LA GARANTIE

- Les déplacements à domicile pour vous apprendre à utiliser l'appareil.
- Le remplacement des fusibles du domicile ou la réinitialisation des disjoncteurs.
- Un dommage annexe ou consécutif provoqué par d'éventuels défauts de cet appareil.
- Remplacement des filtres jetables.
- Un dommage de l'appareil provoqué par un accident, un incendie, une inondation ou un cas de force majeure.
- Un dommage provoqué après la livraison.
- Une panne de l'appareil dans le cas d'une utilisation autre que celle prévue, ou d'une utilisation commerciale.
- Une installation incorrecte. Si vous rencontrez un problème d'installation, contactez votre revendeur ou votre installateur. Vous êtes responsable de la fourniture appropriée d'électricité, de gaz, d'évacuation et d'autres raccords, comme indiqué dans les instructions d'installation fournies avec votre produit.
- Un appareil non accessible pour exécuter la réparation nécessaire.
- Installation ou entretien pour système de compensation d'air (remplacement).

EXCLUSION DES GARANTIES IMPLICITES

Vous ne serez en droit de solliciter que la réparation comme le prévoit la garantie limitée. Toutes les garanties implicites, y compris celles afférentes à la qualité marchande ou à l'adéquation à toute fin spécifique, sont limitées à un an, la période la plus courte légalement autorisée.

Certains États n'autorisent pas l'exclusion ou la limitation des dommages indirects, la limitation ou l'exclusion ne vous sont pas applicables. Cette garantie vous confère des droits spécifiques, et vous disposez de droits supplémentaires qui varient d'un état à l'autre.

Pour en savoir plus sur les droits qui vous sont conférés pour un état donné, consultez le bureau d'informations pour les consommateurs le plus proche ou le procureur de votre État.

Garant : GE Appliances, a Haier company

Garant au Canada : MC COMMERCIAL INC, Burlington, ON, L7R 5B6

Avec l'achat de votre nouvel appareil Monogram vous recevez aussi l'assurance que si vous avez besoin d'information ou d'aide de Monogram, nous serons là pour vous. Vous n'avez qu'à composer le numéro sans-frais !

Enregistrez votre électroménager

Enregistrez votre nouvel appareil en ligne au moment qui vous convient le mieux! L'enregistrement de votre produit dans les délais prescrits permet une meilleure communication et un service rapide, selon les modalités de votre garantie, si besoin est. Vous pouvez également envoyer par courrier la carte d'enregistrement pré-imprimée qui se trouve dans l'emballage de votre appareil.
Aux États-Unis : **Monogram.com**
Au Canada : **Prodsupport.mabe.ca/crm/Products/ProductRegistration.aspx**

Service de réparation

Un service de réparation expert Monogram se trouve à quelques pas de chez vous. Rendez-vous sur notre site et programmez, à votre convenance, une visite de réparation à n'importe quel jour de l'année.
Aux États-Unis : **Monogram.com**
ou composez le 800.444.1845 durant les heures normales de bureau.
Au Canada : **GEAppliances.ca/en/support/service-request** ou composez le 888.880.3030

Prolongation de garantie

Procurez-vous une prolongation de garantie Monogram et informez-vous des rabais spéciaux en vigueur pendant la durée de votre garantie.
Aux États-Unis : **Monogram.com**
le 800.444.1845 durant les heures normales de bureau.
Au Canada :
GEAppliances.ca/en/support/purchase-extended-warranty ou composez le 888.880.3030

Connectivité à distance

Pour de l'assistance concernant la connectivité au réseau sans fil (pour les modèles équipés de cette fonction), visitez notre site Web au **Monogram.com** ou composez le 800.444.1845 aux États-Unis seulement.

Pièces et accessoires

Les personnes ayant les compétences requises pour réparer elles-mêmes leurs appareils peuvent recevoir directement à la maison des pièces ou accessoires (les cartes VISA, MasterCard et Discover sont acceptées). Commandez en ligne 24 heures par jour.
Aux États-Unis : **Monogram.com** ou par téléphone au 800.444.1845 durant les heures normales de bureau.

Les instructions contenues dans le présent manuel comportent des procédures que tout utilisateur peut effectuer. Les autres types de réparation doivent généralement être confiés à un technicien qualifié. Usez de prudence : une réparation ou un entretien mal effectués peuvent rendre l'utilisation de l'appareil dangereuse.

Les consommateurs au Canada doivent consulter les pages jaunes pour connaître le centre de service MC Commercial le plus proche, visiter notre site Web au **GEAppliances.ca/en/products/parts-filters-accessories** ou composer le 888.880.3030.

MANUAL DEL PROPIETARIO

Campana de ventilación de
chimenea de 30" (76,2 cm)

ELEVATE EVERYTHING

MONOGRAM

Introducción

Su nueva campana de chimenea Monogram hace una elocuente declaración de estilo y diseño. Si lo ha elegido por su pureza de diseño o su aplicada atención a los detalles—o por ambas razones—usted descubrirá que la combinación superior de formas y funciones de su campana de chimenea Monogram lo deleitará durante muchos años.

Su campana de chimenea Monogram cuenta con un diseño elegante y al mismo tiempo ofrece la ventilación necesaria durante la cocción de alimentos.

La información de las páginas siguientes lo ayudarán a operar y mantener su campana de chimenea de una manera adecuada.

Table des matières

Información para el consumidor	2	Consejos para la Solución de Problemas	9
Información Importante de Seguridad	4	Garantía	11
Controles y Funciones		Soporte para el Consumidor	12
Controles	6		
Cuidado y limpieza			
Para su seguridad	7		
Panel del filtro	7		
Filtro de grasa de metal	7		
Filtro de carbón	8		
Superficies de acero inoxidable de la campana	8		
Bombillas de luz	8		

Antes de usar su campana de acero inoxidable

Lea este manual con detenimiento. Su objetivo es ayudarlo a operar y mantener su nueva campana de chimenea de una manera adecuada.

Manténgalo a mano para responder sus preguntas.

Si no entiende algo o necesita más ayuda, hay una lista de números gratuitos de atención al cliente en la sección trasera de este manual.

O

Visite nuestro sitio Web: **Monogram.com**

Escriba los números de modelo y de serie

Usted puede encontrarlos en una etiqueta sobre la campana.

Estos números también se encuentran en la Tarjeta de Registro de Propiedad de Producto embalada en forma separada con su campana.

Viste Monogram.com y haga clic en "Registre su artefacto" para registrar su campana de chimenea.

Antes de enviar la tarjeta, tenga a bien escribir los números aquí:

Número de modelo

Número de serie

Utilice estos números en cualquier correspondencia o llamadas de servicio técnico relacionadas con su campana.

Si usted recibió un campana dañado

Comuníquese de inmediato con el vendedor (o constructor) que le vendió el campana.

Ahorre tiempo y dinero

Antes de solicitar servicio técnico, verifique el Solucionador de problemas ubicado en la parte trasera de este manual.

Incluye una lista de problemas operativos menores que usted puede corregir solo.

Si necesita solicitar el servicio técnico

Para obtener servicio técnico, diríjase a la página de Servicios para el consumidor en la parte trasera de este manual.

Estamos orgullosos de nuestro servicio y deseamos que usted quede satisfecho. Si por alguna razón no está satisfecho con el servicio que recibe, aquí incluimos algunos pasos a seguir para obtener más ayuda.

PRIMERO, contacte a las personas que realizaron el servicio en su artefacto. Explique por qué no está satisfecho. En la mayoría de los casos, esto solucionará el problema.

DESPUÉS, si aún así no está satisfecho, escriba todos los detalles—incluyendo número telefónico—a:

Manager, Customer Relations
Monogram
Appliance Park
Louisville, KY 40225

INFORMACIÓN IMPORTANTE DE SEGURIDAD

LEA TODAS LAS INSTRUCCIONES ANTES DE USAR ESTE ELECTRODOMÉSTICO

⚠️ ADVERTENCIA

Lea todas las instrucciones de seguridad antes de utilizar este producto. No seguir estas instrucciones puede generar un incendio, una descarga eléctrica, lesiones corporales o la muerte.

⚠️ ADVERTENCIA INSTRUCCIONES GENERALES DE SEGURIDAD

⚠️ ADVERTENCIA

PARA REDUCIR EL RIESGO DE INCENDIOS, DESCARGAS ELÉCTRICAS O LESIONES PERSONALES, OBSERVE LO SIGUIENTE:

- A. Use esta unidad solamente de la manera que el fabricante lo indique. Si usted tiene preguntas, póngase en contacto con el fabricante.
- B. Antes de proporcionar servicio o de limpiar la unidad, desconecte el suministro eléctrico en el panel de servicio y cierre el mecanismo de seguridad para evitar que alguien lo conecte accidentalmente. Cuando no exista un dispositivo de cierre de seguridad, amarre un aviso visible, como una etiqueta al panel de servicio haciendo la advertencia.
- C. No use esta unidad con ningún dispositivo de control de velocidad de estado sólido.
- D. Esta unidad debe estar conectada a tierra.

⚠️ PRECAUCIÓN

PARA USO DE VENTILACIÓN GENERAL SOLAMENTE. NO USE PARA EXPULSAR MATERIALES PELIGROSOS O EXPLOSIVOS Y VAPORES.

⚠️ ADVERTENCIA

PARA REDUCIR EL RIESGO DE LESIONES PERSONALES EN EL CASO DE UN INCENDIO DEBIDO A GRASA DE ESTUFA QUEMADA, HAGA LO SIGUIENTE *:

- A. CONTenga LAS LLAMAS con una tapa que ajuste bien sobre la sartén, con una lámina para hacer dulces o con una bandeja metálica, y luego apague el quemador. TENGA CUIDADO DE NO QUEMARSE. Si las llamas no se apagan inmediatamente, EVACUE EL LUGAR Y LLAME AL DEPARTAMENTO DE BOMBEROS.
- B. NUNCA AGARRE UNA SARTÉN O UNA OLLA QUE SE ENCUENTRE EN LLAMAS—Se podría quemar.
- C. NO USE AGUA, incluyendo paños de cocina o toallas humedecidas—esto hará que ocurra una explosión de vapor violenta.

D. Use un extintor SOLAMENTE si:

- 1. Usted sabe que tiene un extintor Clase ABC, y si usted ya sabe cómo operarlo.
- 2. El fuego es pequeño y está contenido al área donde comenzó.
- 3. El departamento de bomberos ha sido llamado.
- 4. Usted está luchando contra las llamas con sus espaldas hacia una salida.

* Basado en "Ideas para la seguridad en la cocina", publicado por NFPA.

⚠️ ADVERTENCIA

PARA REDUCIR EL RIESGO DE UN FUEGO DE GRASA DE ESTUFA:

- A. Nunca deje unidades de superficies sin la atención debida en selecciones altas. Cuando se está hirviendo algo y ocurren derramamientos, estos podrían causar humo y que los derramamientos grasosos se incendien. Caliente los aceites lentamente a selecciones medias y bajas.
- B. Siempre encienda la campana cuando cocine a fuego alto o cuando flambee alimentos (Crepes Suzette, Cherries Jubilee, Flambeado de Carne con Pimienta).
- C. Limpie el ventilador con frecuencia. La grasa no debe acumularse en el ventilador o en el filtro.
- D. Use una sartén de tamaño apropiado. Siempre use piezas de cocina apropiadas para el tamaño del elemento de la superficie.

⚠️ ADVERTENCIA

PARA REDUCIR EL RIESGO DE INCENDIOS, DESCARGAS ELÉCTRICAS O LESIONES PERSONALES, OBSERVE LO SIGUIENTE:

- A. El trabajo de instalación y el alambrado eléctrico debe hacerlo una persona(s) calificada conforme a todos los códigos y estándares aplicables, incluyendo una construcción aprobada por el inspector de incendios.

LEA Y GUARDE ESTAS INSTRUCCIONES

INFORMACIÓN IMPORTANTE DE SEGURIDAD

LEA TODAS LAS INSTRUCCIONES ANTES DE USAR ESTE ELECTRODOMÉSTICO

⚠️ ADVERTENCIA INSTRUCCIONES GENERALES DE SEGURIDAD (Cont.)

- B.** Suficiente aire es necesario para una combustión apropiada y para deshacerse de los gases a través de una salida de humo (chimenea) de equipos que queman combustibles para prevenir retroalimentación. Siga las recomendaciones del fabricante del equipo de calentamiento y los estándares de seguridad tales como los publicados por la Asociación nacional de protección de incendios (NFPA), y la Sociedad americana de ingenieros de calefacción, acondicionadores de aire y refrigeración (ASHRAE), y los códigos de las autoridades locales. Cuando corresponda, instale un sistema de reposición (reemplazo) de aire de acuerdo con los requisitos del código local de construcción. Para acceder a soluciones de aire disponibles, visite **GEAppliances.com**.
- C.** Cuando se encuentre cortando o taladrando en la pared o en el techo, no dañe los alambros eléctricos u otras utilidades escondidas.
- D.** Los ventiladores con conductos deben estar siempre ventilados hacia el exterior.

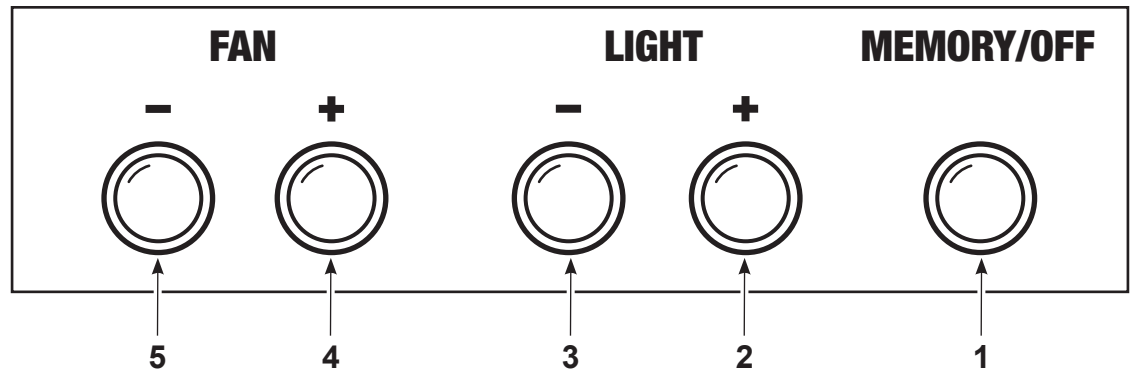
⚠️ ADVERTENCIA PARA REDUCIR EL RIESGO DE INCENDIOS, SOLAMENTE USE CONDUCTOS METÁLICOS.

- No intente reparar o reemplazar ninguna parte de su campana a no ser que lo recomiende específicamente este manual. Cualquier otro servicio debe ser referido a un técnico calificado.

⚠️ PRECAUCIÓN DISPOSITIVO OPERADO AUTOMÁTICAMENTE. PARA REDUCIR EL RIESGO DE LESIONES, DESCONECTE DE LA FUENTE DE ENERGÍA ANTES DE EFECTUAR REPARACIONES. LA UNIDAD SE ENCUENTRA EQUIPADA CON UN INTERRUPTOR DE DESCONEXIÓN INTEGRAL UBICADO DENTRO DEL CUERPO DEL VENTILADOR.

LEA Y GUARDE ESTAS INSTRUCCIONES

Controles



1. Botón MEMORY/OFF (memoria/apagado). Botón MEMORY/OFF (memoria/apagado). Presione para buscar configuraciones guardadas del ventilador y las luces.

Para guardar configuraciones deseadas del ventilador y las luces:

1. Presione el botón MEMORY/OFF (memoria/apagado).
2. Seleccione las configuraciones deseadas.
3. Presione MEMORY/OFF para guardar.

La campana se apagará y las configuraciones quedarán guardadas.

NOTAS:

- Cuando cualquier botón se encuentre activo (encendido), todos los anillos exteriores se iluminarán.
- La campana puede apagarse (OFF) en cualquier momento presionando el botón MEMORY/OFF (memoria/apagado).
- Siempre desactive (apague) los botones cuando no esté usando la campana.

2. Botón LIGHT INCREASE ON/OFF (aumento de luz encendido/apagado). Presione para encender o aumentar el nivel de luz. Los botones le permiten desplazarse hasta la configuración deseada. (Existen cuatro niveles de luz/configuraciones y apagado (OFF)).

3. Botón LIGHT DECREASE ON/OFF (disminución de luz encendido/apagado). Presione para encender o disminuir el nivel de luz. Los botones le permiten desplazarse hasta la configuración deseada. (Existen cuatro niveles de luz/configuraciones y apagado (OFF)).

4. Botón FAN INCREASE ON/OFF (aumento de ventilador encendido/apagado). Presione para encender o aumentar las configuraciones del ventilador. Los botones le permiten desplazarse hasta la configuración deseada. (Utilice para configurar la velocidad del ventilador en LOW (baja), MED (media), HIGH (alta), BOOST (impulso) o en OFF (apagado)).

5. Botón FAN DECREASE ON/OFF (disminución de ventilador encendido/apagado). Presione para encender o disminuir las configuraciones del ventilador. Los botones le permiten desplazarse hasta la configuración deseada. (Utilice para configurar la velocidad del ventilador en LOW (baja), MED (media), HIGH (alta), BOOST (impulso) o en OFF (apagado)).

BOOST (impulso)—Funciona cinco minutos en la configuración máxima del ventilador y luego automáticamente se reconfigura en HIGH (alta).

NOTA: BOOST (impulso) puede mantenerse más de cinco minutos cuando se activa mediante el sensor automático.

CARACTERÍSTICA DE VENTILADOR AUTOMÁTICO—El ventilador de la campana se enciende o aumenta la velocidad en forma automática si las temperaturas de cocción se elevan demasiado. El ventilador se apagará automáticamente o disminuirá la velocidad cuando las temperaturas bajen hasta un nivel apropiado.

NOTA: Cuando la característica automática se encuentra encendida, se puede programar el ventilador en una configuración más alta pero no en una más baja o en apagado.

Para su seguridad

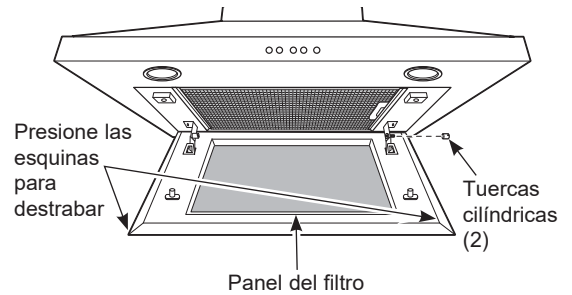
Antes de realizar reparaciones o limpiar la unidad, desconecte la energía desde el panel de servicio y bloquee éste último para evitar el accionamiento de la energía de manera accidental. Si el panel de servicio no puede bloquearse, coloque una etiqueta o cartel de advertencia sobre el panel.

Panel del filtro

Se acumulará grasa en el panel del filtro. El panel es apto para lavavajillas y debe limpiarse cada 6 meses o según sea necesario.

1. Presione hacia adentro para liberarlo y baje el panel de la tapa del filtro.
2. Quite las tuercas cilíndricas y tornillos de la bisagra de ambos lados. Desplace el panel del filtro hacia la izquierda y quítelo.
3. Coloque el panel de la tapa del filtro en el lavavajillas con los orificios de desagüe hacia abajo.

NOTA: El filtro SIEMPRE debe estar en su lugar y el panel del filtro SIEMPRE debe estar cerrado cuando la campana se encuentre en uso.



Filtro de grasa de metal

El filtro de metal atrapa la grasa liberada por los alimentos desde la estufa. El filtro también ayuda a evitar que las llamas (de alimentos, grasa) dañen la parte interna de la campana.

Por esta razón, el filtro SIEMPRE debe estar en su lugar y el panel del filtro SIEMPRE debe estar cerrado cuando la campana se encuentre en uso. El filtro de grasa es apto para lavavajillas y debe limpiarse cada 6 meses, o según sea necesario.

Para retirar:

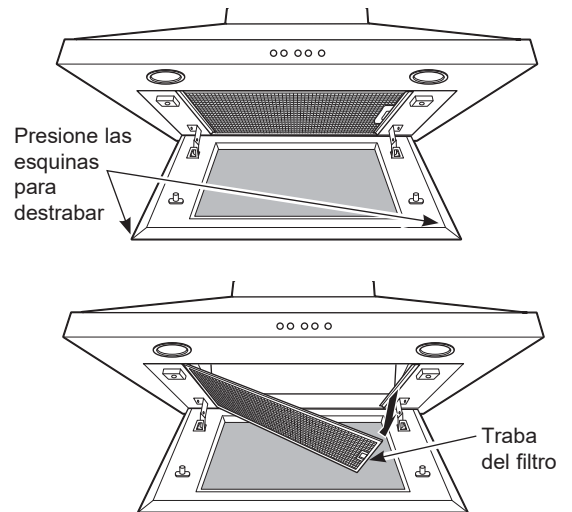
1. Presione hacia arriba sobre las dos esquinas frontales del panel de la tapa del filtro para destrabarlo. Baje el panel para poder acceder al filtro.
2. Presione la traba del filtro hacia adentro para liberarlo. Jale del filtro hacia abajo y quítelo.

Para reemplazar:

1. Coloque las dos lengüetas del borde del filtro dentro de las ranuras de ubicación inferiores sobre el lado izquierdo o derecho de la abertura de la campana.
2. Presione el filtro hacia arriba y trábelo en su lugar en la campana.
3. Gire el panel de la tapa del filtro en su posición y presione hacia arriba sobre las dos esquinas frontales para trabarlo en su lugar.

Limpie el filtro en agua jabonosa caliente y enjuague con agua limpia o lávelo en el lavavajillas. No utilice productos de limpieza abrasivos.

NOTA: En el lavavajillas se producirá una leve decoloración.



Filtro de carbón (en algunos modelos)

Si el modelo no tiene ventilación al exterior, el aire se recirculará a través de un filtro de carbón desechable que ayuda a remover humo y olores.

El filtro de carbón debe cambiarse cuando esté evidentemente sucio o decolorado (usualmente después de 6 a 12 meses, dependiendo del uso de la campana).

NOTA: NO enjuague, o lave el filtro de carbón en un lavaplatos automático.

El filtro de carbón no se pueden limpiar. Debe cambiarse.

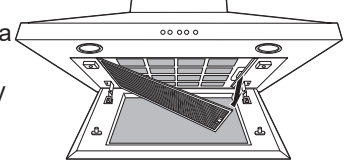
Solicite el filtro de carbón WB02X11348.

Para consultar sobre la adquisición de filtros de carbón de recambio o para averiguar la dirección del distribuidor más cercano, por favor llame al siguiente número telefónico gratuito:

Servicio preferido de Monogram: 800.444.1845
Monogram.com

Para retirar

1. Quite el filtro de metal—ver la sección Filtro de grasa de metal.
2. Quite el filtro de carbón de la misma manera que el filtro de grasa de metal presionando la traba del filtro hacia adentro para liberarlo. Jale del filtro hacia abajo y quítelo.



Para reemplazar:

1. Inserte el filtro negro de carbón en la abertura. Presione la traba sobre ambos lados hacia el centro y enganche el reborde.
2. Cambie el filtro de metal—ver la sección Filtro de grasa de metal.

Superficies de acero inoxidable de la campana

Regularmente pule la parte externa de acero inoxidable con Stainless Steel Magic™ y el paño de pulido Monogram, para preservar y proteger el acabado fino.

Para no rayar el acabado fino del acero inoxidable, pase el paño en la misma dirección de la veta cuando pule o limpie cualquier superficie de acero inoxidable.

Para una limpieza regular, utilice agua limpia y un paño suave. Si las manchas persisten, limpie con un detergente suave para vajilla utilizando un paño suave o esponjilla no abrasiva. Para manchas más rebeldes, prepare una solución de 25% de vinagre (blanco o rojo) y 75% de agua. Introduzca un paño suave en la solución y frote sobre el acero inoxidable para quitar la mancha. Si estos métodos no quitan las manchas, suciedad o residuos, llame al 800.444.1845.

NOTA: Vuelva a aplicar Stainless Steel Magic™ con el paño de pulido Monogram después de limpiar o si su unidad entra en contacto con agua, a fin de proteger el acabado fino.

Stainless Steel Magic™ y el paño de pulido Monogram se encuentran disponibles a través de Piezas y accesorios de Monogram, 800.444.1845 o **Monogram.com**.

Para solicitar Stainless Steel Magic™, solicite el número de pieza WX10X15.

No utilice cera o pomada para artefactos sobre ninguna superficie de acero inoxidable.

No utilice esponjillas abrasivas, limpiadores en polvo, lejía o limpiadores que contengan lejía porque estos productos pueden rayar y dañar el acabado.

La garantía no cubre daños provocados por métodos de limpieza inapropiados.

Bombillas de luz

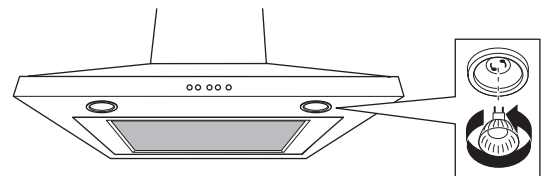
⚠ PRECAUCIÓN

Antes de tocarlas, espere a que las bombillas se enfríen.

Para cambiar las bombillas de la luz:

1. Presione y gire la bombilla en un 1/4 de giro.
2. La bombilla caerá hacia abajo.
3. Vuelva a colocar una bombilla del mismo tamaño colocando las púas de la bombilla dentro de las ranuras y dando 1/4 de giro para trabar en su lugar.

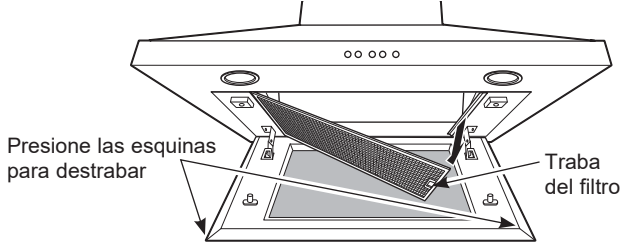
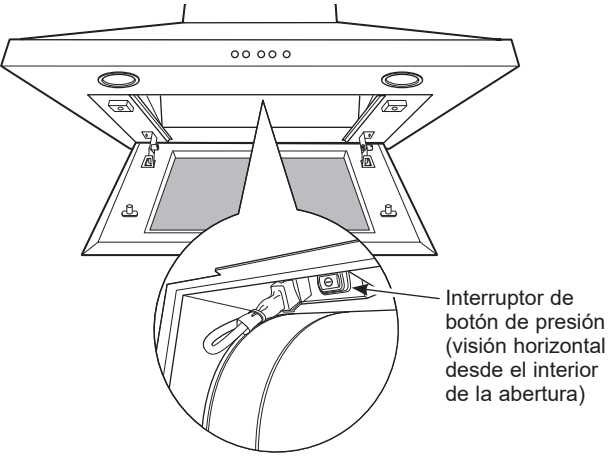
Estas bombillas halógenas de 120 voltios, 50 vatios, MR16 con bases GU10 se encuentran disponibles en la mayoría de las tiendas de iluminación, centros de construcción y minoristas grandes. Solicite la bombilla de base MR16 GU10.



NOTA: No utilice bombillas mayores a 120 voltios y 50 vatios, o las luces se apagarán automáticamente y los anillos que rodean los botones de funcionamiento se iluminarán para indicar que las bombillas han superado los límites aceptables.

Antes de solicitar el servicio técnico

¡Ahorre tiempo y dinero! Primero revise los cuadros que aparecen en las siguientes páginas y es posible que no necesite solicitar reparaciones.

Problema	Causas Posibles	Qué Hacer
<p>El ventilador se enciende o aumenta la velocidad automáticamente y no puede apagarse o reducirse su velocidad</p>	<p>El ventilador de la campana se enciende o aumenta la velocidad en forma automática si las temperaturas de cocción se elevan demasiado. El ventilador se apagará automáticamente o disminuirá la velocidad cuando las temperaturas bajen hasta un nivel apropiado. El ventilador también se encenderá automáticamente cuando los elementos electrónicos se calienten demasiado. NOTA: Cuando la característica de ventilador automático se encuentra encendida, se puede programar el ventilador en una configuración más alta pero no en una más baja o en apagado.</p>	
<p>El ventilador no funciona cuando se lo enciende</p>	<p>El fusible puede haberse quemado o el disyuntor puede haber saltado.</p> <p>El interruptor de desconexión de energía ubicado dentro de la campana puede estar apagado.</p> <p>UBIQUE EL INTERRUPTOR ON/OFF (encendido/apagado).</p> <ol style="list-style-type: none"> 1. Presione hacia adentro para liberarlo y baje el panel de la tapa del filtro en el frente. 2. Presione la traba del filtro hacia la abertura y jale hacia abajo para quitarlo. 3. Quite el filtro de carbón, si se cuenta con uno.  <ol style="list-style-type: none"> 4. Busque dentro del compartimento del motor y ubique el interruptor ON/OFF (encendido/apagado) en el frente de la abertura. 5. Presione el interruptor en la posición ON (encendido).  <p>NOTA: Si el ventilador de la campana debe quitarse para recibir servicio técnico, utilice el interruptor de desconexión para su seguridad. Presione el interruptor en la posición OFF (apagado).</p>	<p>Cambie el fusible o vuelva a configurar el disyuntor.</p> <p>Quite el filtro de grasa de metal y de carbón (si se cuenta con uno) y accione el interruptor.</p>

Antes de solicitar el servicio técnico

Problema	Causas Posibles	Qué Hacer
El ventilador no circula el aire o mueve el aire más lentamente que		Asegúrese de que el filtro de grasa de metal y el filtro de carbón (si se cuenta con uno) estén presentes. Limpie el filtro de grasa de metal (ver la sección Filtro de grasa de metal) y, si la campana se recircula (no se ventila hacia el exterior), cambie el filtro de carbón LO NORMAL (ver la sección Filtro de carbón). Si la limpieza y el recambio de filtros no corrigen el problema, llame al servicio técnico.
	Se requiere suficiente reposición (reemplazo) de aire para que los artefactos con salida de aire funcionen de acuerdo con sus calificaciones energéticas.	Controle los códigos locales de construcción, que podrán requerir o aconsejar enfáticamente el uso de reposición de aire. Para acceder a soluciones de aire disponibles, visite Monogram.com .
El ventilador se enciende y apaga todo sin parar	El motor probablemente se está sobrecalentando y se apaga solo. Esto puede dañar el motor.	Asegúrese de que el filtro esté limpio y verifique que no haya taponamientos en el conducto. Si continúa el ciclo de apagado y encendido, llame al servicio técnico.
Las luces no funcionan y los anillos ubicados alrededor de los botones de funcionamiento parpadean	Las luces se reemplazaron con bombillas de límites mayores a los 120 voltios y 50 vatios.	Utilice la bombilla del tipo y tamaño correctos. Ver la sección Bombillas de luz.
La luz no se mantiene en la configuración alta		Utilice bombillas halógenas de 120 voltios, 50 vatios, MR16 con una base GU10 y asegúrese de que estén bien colocadas. Es importante utilizar bombillas que no superen el vataje recomendado. Las bombillas con un vataje superior harán que los anillos externos parpadeen, y las luces no funcionarán en los niveles más altos. Ver la sección Bombillas de luz.
LOS CONTROLES DE LA CAMPANA NO FUNCIONAN CORRECTAMENTE		Desconecte la energía de la campana apagando el disyuntor o quitando el fusible de la caja de fusibles. Espere 30 segundos para que los controles de la campana se reconfiguren y luego cambie el fusible o vuelva a activar el disyuntor.
Si se presionan consecutivamente los botones de luz o del ventilador, cambiará la configuración de la más baja a apagado a la configuración más alta, o de la más alta a apagado, a la configuración más baja	Para que pueda programar fácilmente los controles en la configuración deseada, la campana está diseñada para que los botones de luz y del ventilador se desplacen entre configuraciones.	Esto es normal.
Cuando se presiona el botón Memory/Off (Memoria/Apagado) para encender la luz, en su lugar se enciende el ventilador	Para su comodidad, es normal que las luces y el ventilador "recuerden" su última configuración cuando presiona el botón Memory/Off.	Si sólo desea encender las luces, presione el botón "FAN +" (ventilador +) (o el "FAN -") (ventilador -) para apagar el ventilador. Cuando vuelva a encender la campana, sólo funcionarán las luces. NOTA: Se pueden encender y apagar las luces y el ventilador por separado, utilizando los botones "+" o "-".

GARANTÍA DE SU CAMPANA MONOGRAM

Abroche el recibo de venta o cheque cancelado aquí. Para acceder al servicio técnico correspondiente a la garantía, deberá contar con la prueba de la fecha original de compra.

ELEMENTOS CUBIERTOS

Desde la Fecha de la Compra Original

GARANTÍA LIMITADA DE DOS AÑOS

Por dos años desde la fecha original de compra, le brindaremos, sin costo, piezas y trabajos del servicio técnico en su hogar para la reparación o reemplazo de **cualquier parte de la campana de ventilación** que presente fallas debido a defectos de fabricación.

Esta garantía se extiende al comprador original y cualquier dueño posterior para productos adquiridos para uso doméstico dentro de los 48 estados continentales, Hawaii, Washington, D.C. o Canadá. Si el producto se encuentra en una región donde no hay Servicio Técnico de Monogram, usted será responsable del cargo del viaje o usted puede tener que llevar el producto a un Servicio Técnico Autorizado de Monogram para efectuar la reparación. En Alaska la garantía es la misma salvo que es LIMITADA porque usted debe pagar el envío del producto a la tienda de servicio técnico o los gastos de viaje del técnico hasta su hogar.

Todo el servicio de garantía debe suministrarse por parte de nuestros Centros de Servicio de Fábrica o por técnicos autorizados de Customer Care® durante un horario normal de trabajo.

Si su artefacto requiere servicio técnico, durante el período de garantía o después del mismo, en los EE.UU. llame al 800.444.1845. En Canadá: 888.880.3030. Tenga el número de serie y de modelo a mano cuando llame para solicitar un servicio técnico.

ELEMENTOS NO CUBIERTOS

- Visitas a su hogar para enseñarle a usar el producto.
- Reemplazo de fusibles domésticos o la reconfiguración de disyuntores.
- Daños incidentales o resultantes provocados por posibles defectos en este artefacto.
- Recambio de los filtros reemplazables.
- Daños al producto provocados por accidentes, incendios, inundaciones o fuerza mayor.
- Daños provocados después de la entrega.
- Fallas del producto si se utiliza para un objetivo diferente del previsto o se usa de forma comercial.
- Instalación inadecuados. Si tiene un problema con la instalación, comuníquese con su vendedor o instalador. Usted es responsable de suministrar adecuadas instalaciones eléctricas, de gas, de salida y otras conexiones como se describe en las Instrucciones de Instalación incluidas con el producto.
- Producto no accesible para prestar el servicio técnico solicitado.
- Instalación o servicio técnico para sistemas con reposición (reemplazo) de aire.

EXCLUSIÓN DE GARANTÍAS IMPLÍCITAS

Su único y exclusivo recurso es la reparación del producto como se establece en la presente Garantía Limitada. Las garantías implícitas, incluyendo garantías de comerciabilidad y aptitud para un objetivo particular, se encuentran limitadas a un año o el período más corto permitido por la ley.

Algunos estados no permiten la exclusión o limitación de daños incidentales o resultantes, por lo tanto esta exclusión o limitación puede no aplicarse en su caso. Esta garantía le otorga derechos legales específicos y usted puede contar con otros derechos, que pueden variar de estado a estado.

Para conocer sus derechos legales en su estado, consulte a su oficina del consumidor local o estatal o al Fiscal General de su estado.

Garante: GE Appliances, a Haier company

Garante en Canadá: MC COMMERCIAL INC, Burlington, ON, L7R 5B6

Con la compra de su nuevo artefacto Monogram, tenga la tranquilidad de que si alguna vez necesita información o asistencia de Monogram, estaremos listos para hacerlo. ¡Todo lo que tiene que hacer es llamar en forma gratuita!

Registre su Electrodoméstico

¡Registre su electrodoméstico nuevo a través de Internet, según su conveniencia! Un registro puntual de su producto permitirá una mejor comunicación y un servicio más puntual de acuerdo con los términos de su garantía, en caso de surgir la necesidad. También puede enviar una carta en la tarjeta de inscripción preimpresa que se incluye con el material embalado.

En EE.UU.: **Monogram.com**

En Canadá: **Prodsupport.mabe.ca/crm/Products/ProductRegistration.aspx**

Servicio Programado

El servicio de reparación de expertos de Monogram está a sólo un paso de su puerta. Conéctese a través de Internet y programe su servicio a su conveniencia cualquier día del año.

En EE.UU.: **Monogram.com**

o comuníquese al 800.444.1845 durante el horario de atención comercial.

En Canadá: **GEAppliances.ca/en/support/service-request** o llame al 888.880.3030

Garantías Extendidas

Adquiera una garantía extendida de Monogram y conozca los descuentos especiales que están disponibles mientras su garantía aún está vigente.

En EE.UU.: **Monogram.com**

o comuníquese al 800.444.1845 durante el horario de atención comercial.

En Canadá: **GEAppliances.ca/en/support/purchase-extended-warranty** o llame al 888.880.3030

Conectividad Remota

Para solicitar asistencia para la conectividad de red inalámbrica (para modelos con acceso remoto), visite nuestro sitio web en **Monogram.com** o comuníquese al 800.444.1845 en EE.UU. únicamente.

Piezas y Accesorios

Aquellos individuos calificados para realizar el servicio técnico de sus propios electrodomésticos podrán solicitar el envío de piezas o accesorios directamente a sus hogares (se aceptan las tarjetas VISA, MasterCard y Discover). Ordene hoy a través de Internet durante las 24 horas, todos los días. En EE.UU.: **Monogram.com** o de forma telefónica al 800.444.1845 durante el horario de atención comercial.

Las instrucciones que figuran en este manual cubren los procedimientos que serán realizados por cualquier usuario. Otros servicios técnicos generalmente deben ser derivados a personal calificado del servicio. Se deberá tener cuidado, ya que una reparación indebida podrá hacer que el funcionamiento no sea seguro.

Los clientes de Canadá deberán consultar en las páginas amarillas el centro de servicios de MC Commercial más cercano; visite nuestro sitio web en **GEAppliances.ca/en/products/parts-filters-accessories** o comuníquese al 888.880.3030.