

MONOGRAM 36" BUILT-IN FRENCH-DOOR BOTTOM-FREEZER

ZIP360NN



FRENCH-DOOR DESIGN

Gives you wide-open access to every fresh food shelf and bin

FINELY CRAFTED GLASS-FRONT METAL DOOR BINS

With riveted metal accents offer easy access to beverages and quick-grab items

LED LIGHTING

Positioned throughout the interior and under fresh food drawers spotlights food inside the refrigerator and in the freezer

UPFRONT ELECTRONIC CONTROLS WITH DIGITAL READOUT

Offer a range of precise temperature settings, all within easy reach

LARGE FULL-EXTENSION FREEZER DRAWER

Has storage bins that slide out independently of one another for easy loading and unloading. An automatic ice maker keeps plenty of filtered ice on hand

PRECISION GLASS-FRONT PRODUCE AND DELI DRAWERS

Feature full-extension, soft-close slides

ALUMINUM TRIMMED GLASS SHELVES

Allow convenient access to contents in the fresh-food compartment

SECTION 1

STANDARD INSTALLATION

1/4" FRAMED PANELS



3/4" OVERLAY PANELS



SECTION 2

FLUSH INSET INSTALLATION

REQUIRES ADDITIONAL TRIM KIT ZKFN





SPECIFICATIONS

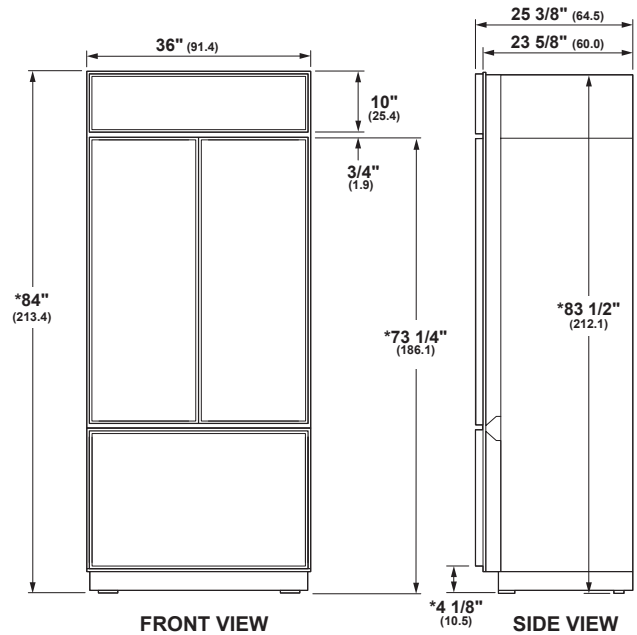
Overall Width	36" (91.4)
Overall Height	84" (213.4)
Overall Depth	25 3/8" (64.5)
Door Clearance	18 1/2" (47 cm)
Cutout Width	35 1/2" (90.2 cm)
Cutout Height	84" (213.4 cm)
Cutout Depth	24" (61 cm)
Plumbing Requirements	1/4" OD copper tubing or GE SmartConnect kit
Shipping Weight	670 lb (304 kg)

ATTENTION ELECTRICIAN:

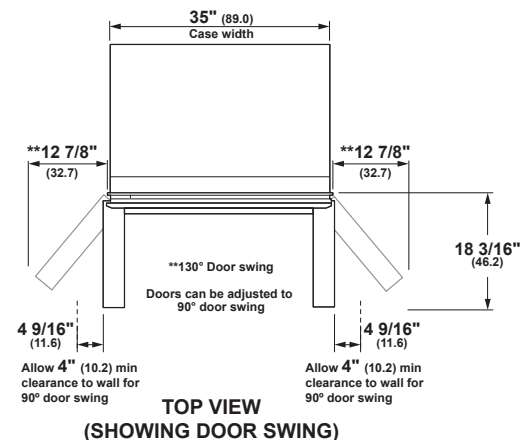
A 115 volt 60Hz., 15 or 20 amp power supply is required. An individual properly grounded branch circuit or circuit breaker is recommended. Install a properly grounded 3-prong electrical receptacle recessed into the back wall.

OVERALL DIMENSIONS

STANDARD INSTALLATION



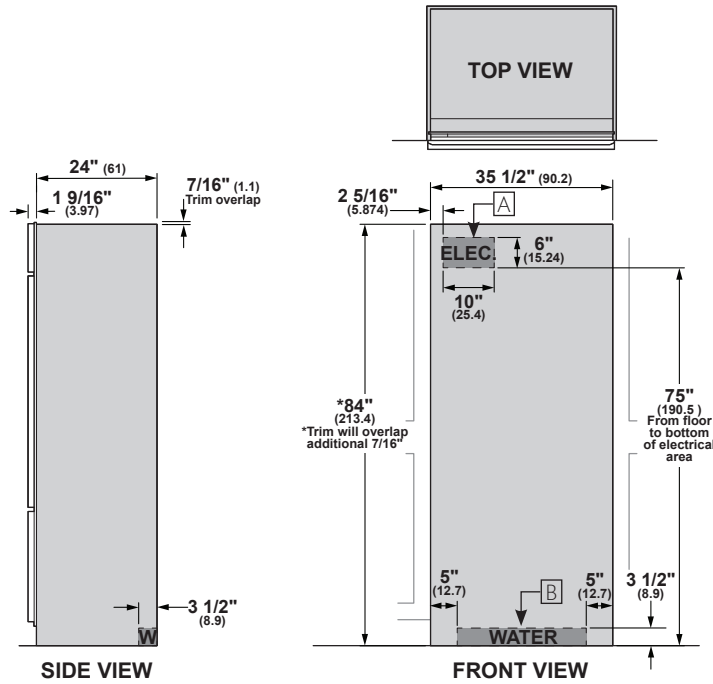
*Shipping height. Use leveling legs and wheels for maximum 1" height adjustment from shipping height.



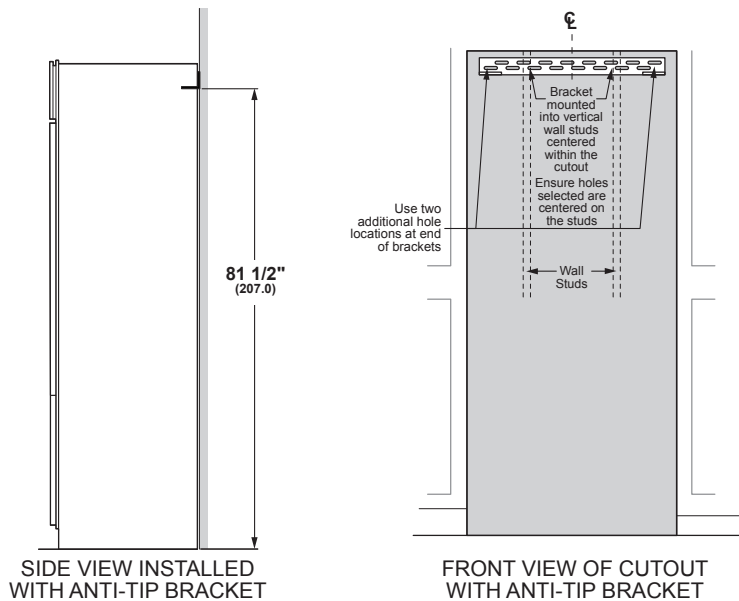
** Dimensions based on custom handle height of 2 9/16" (6.5).

Dimensions in parentheses are in centimeters unless otherwise noted. Actual product dimensions may vary due to manufacturing tolerances.

STANDARD INSTALLATION 3/4" PANELS



ANTI-TIP BRACKET



STANDARD INSTALLATION

HELPFUL TIPS

- A** Mounting the junction box in this location will also allow for front accessibility through access panel.
- B** Water supply area.

WARNING:

The refrigerator is top heavy and must be secured to prevent the possibility of tipping forward. Failure to do so may result in death or serious injury.

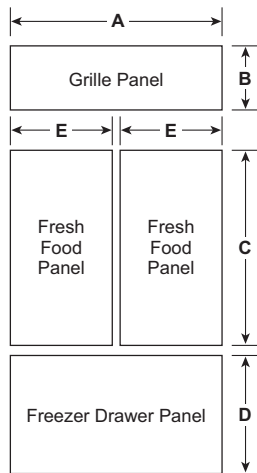
The information below is for cabinet design only. When installing the anti-tip system you must use the product installation instructions.

The information below applies to all installation constructions:

- A wall bracket, bolts and toggles will be supplied with the unit.
- The bolts will be used to attach bracket to wall in 4 locations. Two of the locations must penetrate the center of the wall studs.
- The toggles are used for stability in drywall and when metal studs are encountered. Lag bolts are used in wood studs.
- In installation opening, measure 81-1/2" from floor and draw a horizontal line.
- Locate and mark the wall studs on horizontal line. Verify at least two studs have their centerlines within the center 32-1/2" of installation opening to ensure 2 wall studs are penetrated.
- The bracket will be centered left to right in opening with bottom of bracket on the horizontal line.
- When unit is placed in opening, the bracket tabs will align with openings in back of the unit. The unit will be secured to the bracket using supplied "L" bolts.

See Installation Instructions for detailed instructions.

STANDARD 1/4" FRAMED PANEL DIMENSIONS



PANEL ASSEMBLY CROSS SECTION



PANEL DIMENSIONS

	A	B	C	D	E
1/4" Framed Panel	33 7/8"	8 7/8"	46 1/16"	21 7/8"	16 1/2"

STANDARD INSTALLATION

HELPFUL TIPS

Trimmed refrigerators are designed to be customized with decorative panels. Field-installed custom door and grille panels are required.

1/4" FRAMED PANELS:

For 1/4" thick custom panels ordered from your cabinet maker. The decorative panels slide into this trim.

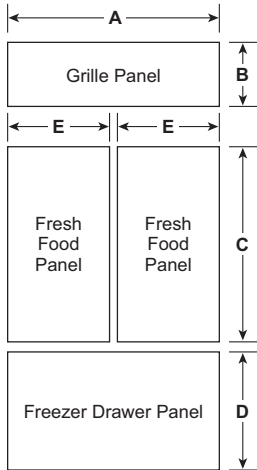
MAXIMUM TOTAL PANEL WEIGHT:

- Fresh food door panel – 30 lbs.
- Freezer drawer panel – 28 lbs.
- Grille panel – 11 lbs

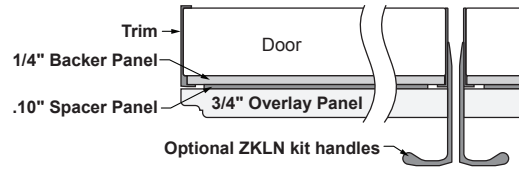
DOOR HANDLES:

Door handles not included. Custom handles supplied by your cabinet maker may be used. Optional visor handle kit ZKLN available.

STANDARD 3/4" OVERLAY PANEL DIMENSIONS



PANEL ASSEMBLY CROSS SECTION



PANEL DIMENSIONS

	A	B	C	D	E
1/4" Framed Panel	33 7/8"	8 7/8"	46 1/16"	21 7/8"	16 1/2"
.10" Framed Panel	32 1/2"	7 5/8"	44 11/16"	20 1/2"	15"
3/4" Overlay Panel	34 1/8"	9"	46 5/16"	22"	16 5/8"

.25" + .10" + .75" = 1.10" Total Panel Thickness

STANDARD INSTALLATION

HELPFUL TIPS

Trimmed refrigerators are designed to be customized with decorative panels. Field-installed custom door and grille panels are required.

3/4" OVERLAY PANELS:

For your 3/4" thick custom panels ordered from your cabinet maker the overlay panel must be secured to a 1/4"-thick backer panel which slides into the trim. A spacer panel 0.10" thick must be placed between the overlay and backer panels.

Center each panel over the other. Assemble the panels with glue and screws. Screws must be countersunk into the backer panel.

NOTE: Left-to-right offset is not always equal to top-to-bottom offset.

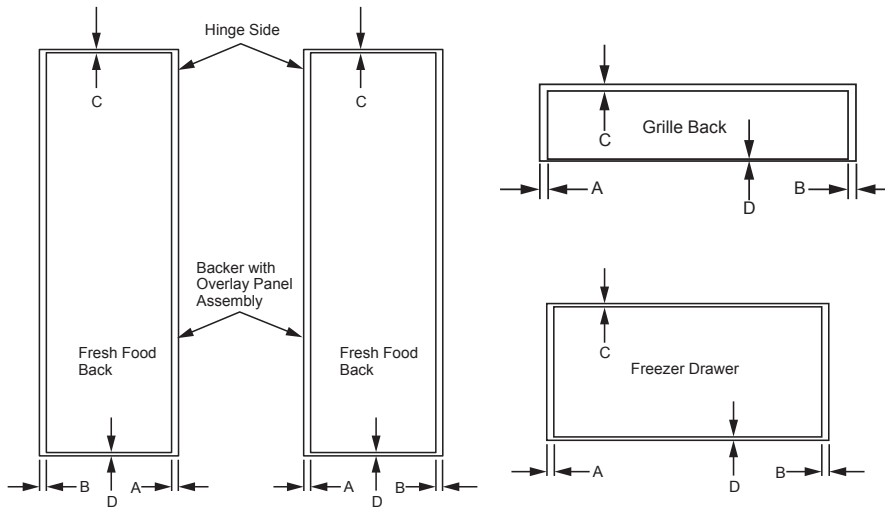
MAXIMUM TOTAL PANEL WEIGHT:

- Fresh food door panel – 30 lbs.
- Freezer drawer panel – 28 lbs.
- Grille panel – 11 lbs

DOOR HANDLES:

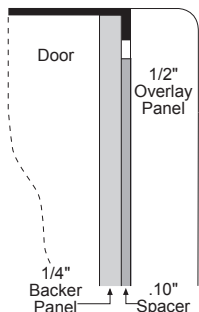
Door handles not included. Custom handles supplied by your cabinet maker may be used. Optional visor handle kit ZKLN available.

1/4" BACKER ASSEMBLY DIMENSIONS



PANEL DIMENSIONS

	A	B	C	D
Fresh Food Door Panels	1/8"	0	1/8"	1/8"
Freezer Drawer Panel	1/8"	1/8"	1/16"	1/16"
Grille Panel	1/8"	1/8"	1/16"	1/16"





SPECIFICATIONS

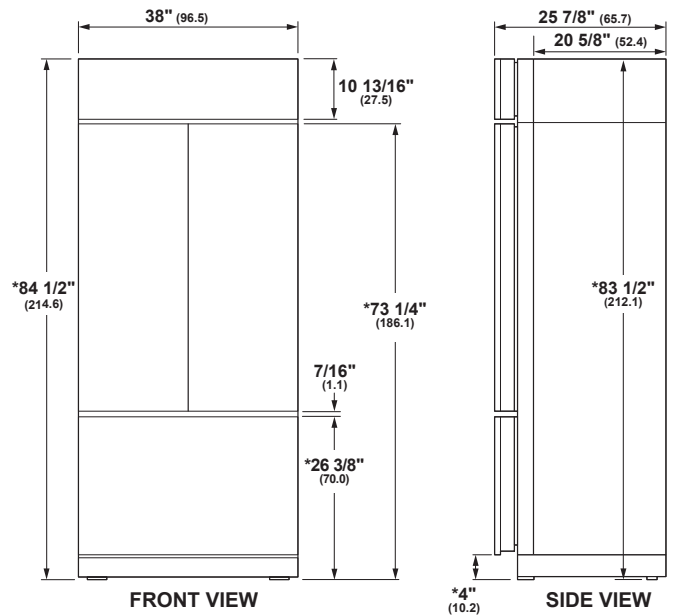
Overall Width	38" (96.5 cm)
Overall Height	84 1/2" (214.6 cm)
Overall Depth	25 7/8" (65.9 cm)
Door Clearance	19 1/2" (49.5 cm)
Cutout Width	39" (99.1 cm)
Cutout Height	85" (215.9 cm)
Cutout Depth	26 3/16" (66.5 cm)
Plumbing Requirements	1/4" OD copper tubing or GE SmartConnect kit
Shipping Weight	670 lb (304 kg)

ATTENTION ELECTRICIAN:

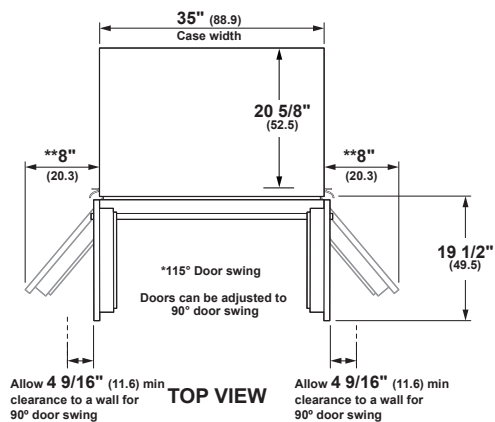
A 115 volt 60Hz, 15 or 20 amp power supply is required. An individual properly grounded branch circuit or circuit breaker is recommended. Install a properly grounded 3-prong electrical receptacle recessed into the back wall.

OVERALL DIMENSIONS AFTER PANEL INSTALL

FLUSH INSET INSTALLATION



* Shipping height. Use leveling legs and wheels for maximum 1" height adjustment from shipping height.

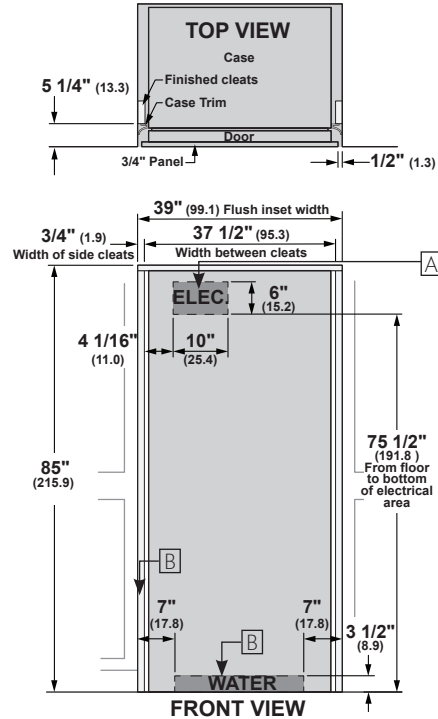
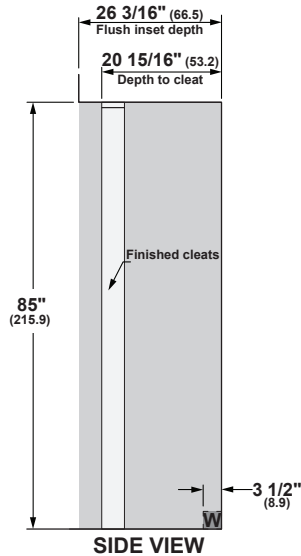


** Dimensions based on custom handle height of 2 9/16" (6.5).

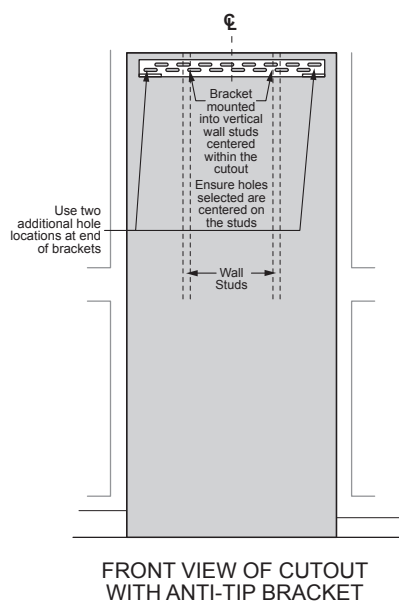
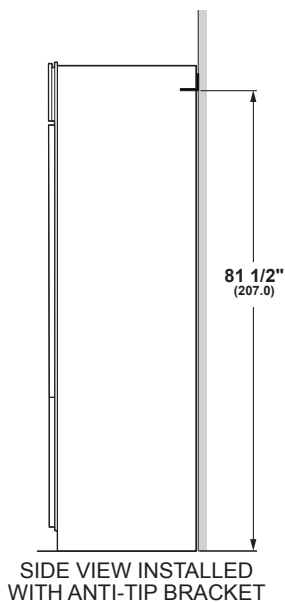
Dimensions in parentheses are in centimeters unless otherwise noted. Actual product dimensions may vary due to manufacturing tolerances.

FLUSH INSET INSTALLATION 3/4" PANELS

FLUSH INSET KIT ZKFN REQUIRED



ANTI-TIP BRACKET



FLUSH INSET INSTALLATION

HELPFUL TIPS

A Mounting the junction box in this location will also allow for front accessibility through access panel.

B Water supply area

⚠ WARNING:

The refrigerator is top heavy and must be secured to prevent the possibility of tipping forward. Failure to do so may result in death or serious injury.

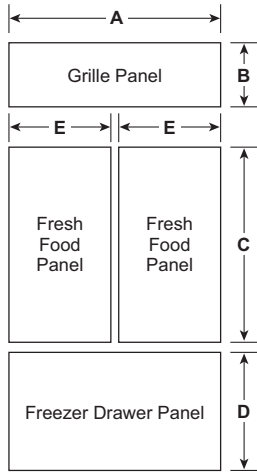
The information below is for cabinet design only. When installing the anti-tip system you must use the product installation instructions.

The information below applies to all installation constructions:

- A wall bracket, bolts and toggles will be supplied with the unit.
- The bolts will be used to attach bracket to wall in 4 locations. Two of the locations must penetrate the center of the wall studs.
- The toggles are used for stability in drywall and when metal studs are encountered. Lag bolts are used in wood studs.
- In installation opening, measure 81-1/2" from floor and draw a horizontal line.
- Locate and mark the wall studs on horizontal line. Verify at least two studs have their centerlines within the center 32-1/2" of installation opening to ensure 2 wall studs are penetrated.
- The bracket will be centered left to right in opening with bottom of bracket on the horizontal line.
- When unit is placed in opening, the bracket tabs will align with openings in back of the unit. The unit will be secured to the bracket using supplied "L" bolts.

See Installation Instructions for detailed instructions.

FLUSH INSET 3/4" PANEL DIMENSIONS



PANEL DIMENSIONS

A	B	C	D	E
38"	10 13/16"	46 7/16"	22 3/8"	18 3/4"

FLUSH INSET INSTALLATION

HELPFUL TIPS

Trimmed refrigerators are designed to be customized with decorative panels. Field-installed 1/2" or 3/4" custom door, drawer and grille panels are required. For 3/4" raised panels, routing is required. The router depth is 1/4" all the way around the panel's backs. Additional panel width reductions are required per the diagrams shown. This will create "picture frame" routing allowing the panels to slide into the attached door, drawer and grille trims.

MAXIMUM TOTAL PANEL WEIGHT:

- Fresh food door panels – 30 lbs.
- Freezer drawer panel – 28 lbs.
- Grille panel – 11 lbs

NOTE: For panels constructed with rails and stiles (5-panel), the rails must be a minimum of 3" wide and stiles must be a minimum of 4" wide.

DOOR HANDLES

Door handles not included. Custom handles supplied by your cabinet maker may be used.

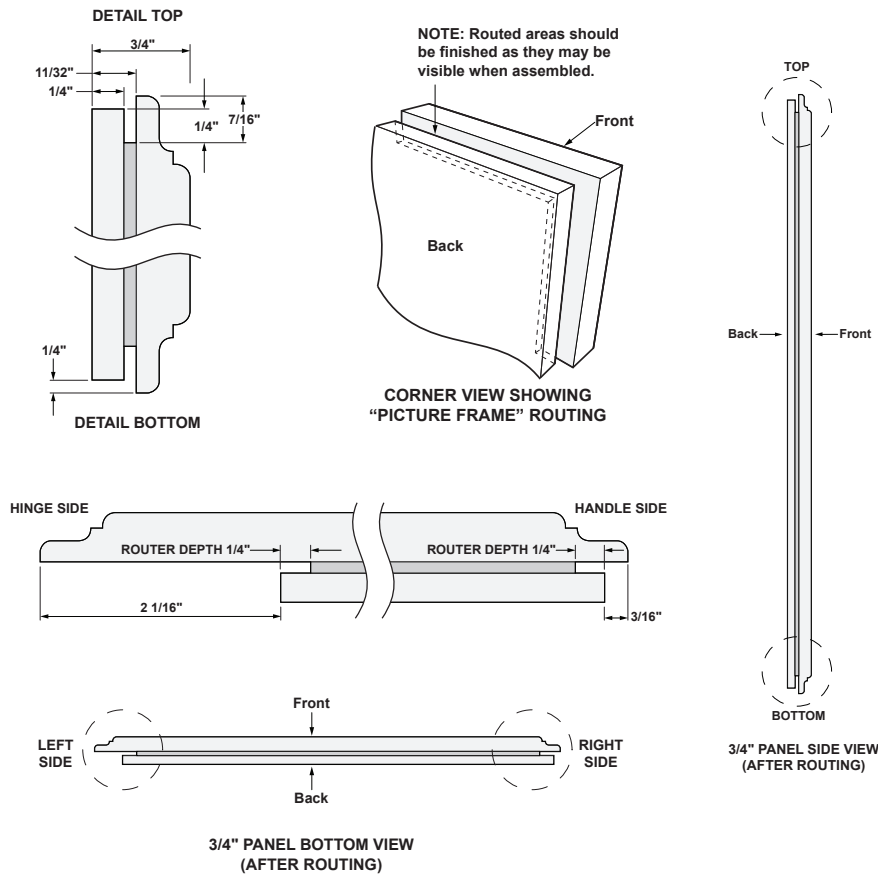


WARNING:

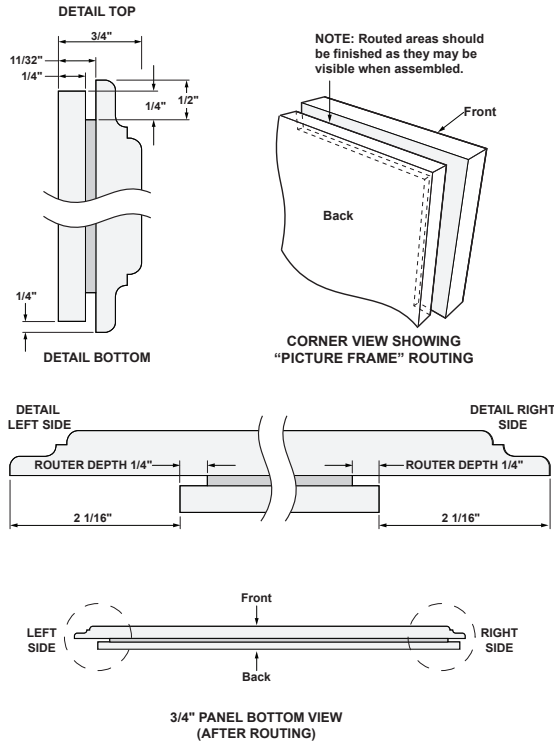
Door Trim Pinch Point Hazard

Improper installation can lead to a finger pinch point hazard between the side door trim and the cabinets when operating the door, especially with children. To minimize this risk you must follow the installation instructions for cabinet dimensions, trim assembly and door stop angle.

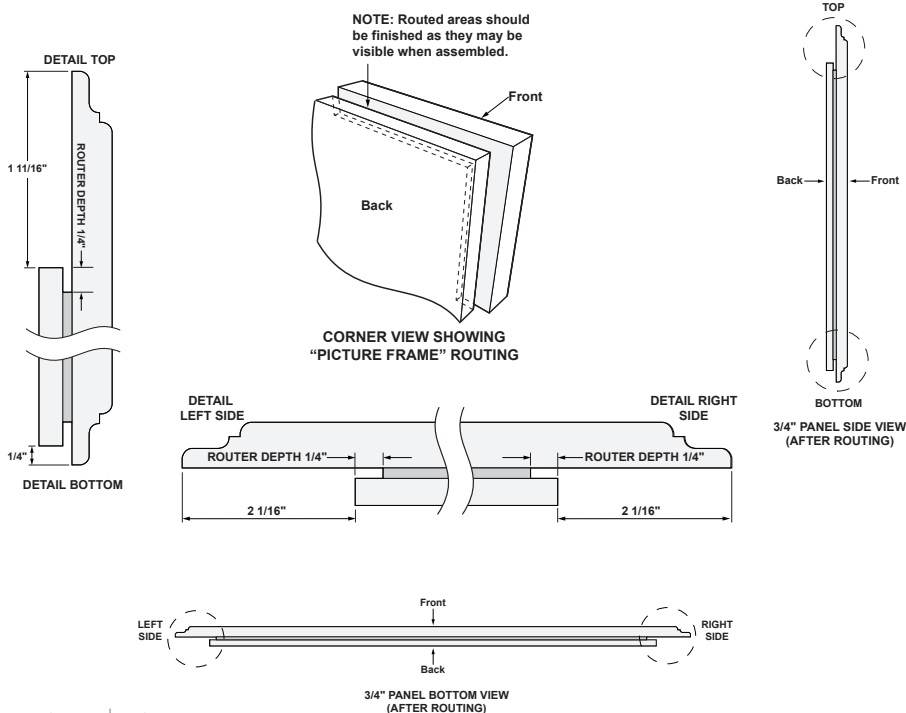
3/4" RAISED FRESH FOOD DOOR PANELS ROUTING



3/4" RAISED FREEZER DRAWER PANEL ROUTING



3/4" RAISED GRILLE PANEL ROUTING



FLUSH INSET INSTALLATION

HELPFUL TIPS

Trimmed refrigerators are designed to be customized with decorative panels. Field-installed 1/2" or 3/4" custom door, drawer and grille panels are required. For 3/4" raised panels, routing is required. The router depth is 1/4" all the way around the panel's backs. Additional panel width reductions are required per the diagrams shown. This will create "picture frame" routing allowing the panels to slide into the attached door, drawer and grille trims.

MAXIMUM TOTAL PANEL WEIGHT:

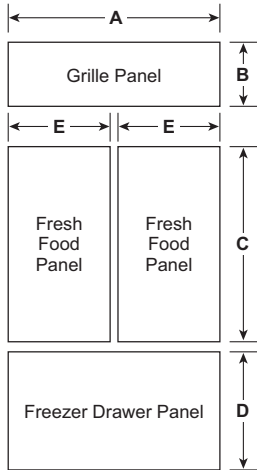
- Fresh food door panels – 30 lbs.
- Freezer drawer panel – 28 lbs.
- Grille panel – 11 lbs

NOTE: For panels constructed with rails and stiles (5-panel), the rails must be a minimum of 3" wide and stiles must be a minimum of 4" wide.

DOOR HANDLES

Door handles not included. Custom handles supplied by your cabinet maker may be used.

FLUSH INSET 1/2" PANEL DIMENSIONS



PANEL DIMENSIONS

	A	B	C	D	E
1/4" Backer Panel	33 7/8"	8 7/8"	46 1/16"	21 7/8"	16 1/2"
.10" Space Panel	32 1/2"	7 5/8"	44 11/16"	20 1/2"	15"
1/2" Overlay Panel	38"	10 13/16"	46 7/16"	22 3/8"	18 3/4"

FLUSH INSET INSTALLATION

HELPFUL TIPS

The 1/2" overlay panel must be secured to a .10" spacer panel and a 1/4" thick backer panel, which slides into the trim.

ASSEMBLE THE PANELS WITH GLUE AND SCREWS:

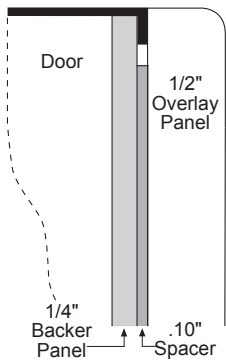
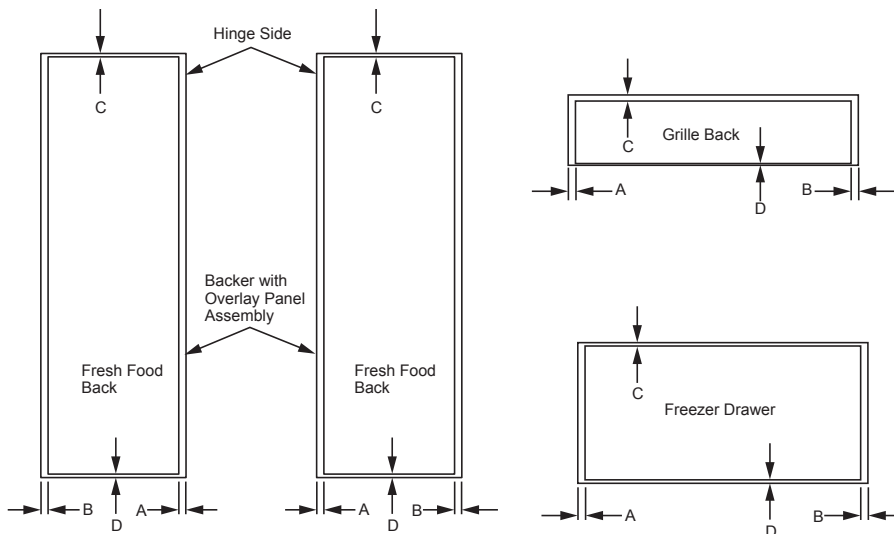
- Center the spacer panel on the backer panel, left to right and top to bottom. Secure the panels with glue.
- Refer to the chart for locating the backer panel to the overlay panel. Secure the overlay panel to the backer panel with glue and screws. Screws must be countersunk into the backer panel.

MAXIMUM TOTAL PANEL WEIGHT:

- Fresh food door panel – 30 lbs.
- Freezer drawer panel – 28 lbs.
- Grille panel – 11 lbs.

NOTE: For panels constructed with rails and stiles (5-panel), the rails must be a minimum of 3" wide and stiles must be a minimum of 4" wide.

1/4" BACKER ASSEMBLY DIMENSIONS



PANEL DIMENSIONS

	A	B	C	D
Fresh Food Door Panels	2 1/16"	3/16"	3/16"	3/16"
Freezer Drawer Panel	2 1/16"	2 1/16"	1/4"	1/4"
Grille Panel	2 1/16"	2 1/16"	1 11/16"	1/4"



WARNING:

Door Trim Pinch Point Hazard

Improper installation can lead to a finger pinch point hazard between the side door trim and the cabinets when operating the door, especially with children. To minimize this risk you must follow the installation instructions for cabinet dimensions, trim assembly and door stop angle.