

INSTALLATION INSTRUCTIONS

30" and 36"

Stainless Steel Gas Cooktops

ENGLISH/FRANÇAIS/ESPAÑOL

ELEVATE EVERYTHING

MONOGRAM

Safety Information

Questions? Call Monogram at 800.444.1845 or visit monogram.com
In Canada call 899.561.3344 or visit monogram.ca

IN THE COMMONWEALTH OF MASSACHUSETTS

- This product must be installed by a licensed plumber or gas fitter.
- When using ball type gas shut-off valves, they shall be the T-handle type.
- A flexible gas connector, when used, must not exceed 5 feet.

▲ WARNING FIRE OR EXPLOSION HAZARD

If the information in this manual is not followed exactly, a fire or explosion may result causing property damage, personal injury or death.

Installation must be performed by a qualified installer.

Read these instructions completely and carefully.

Installation of this cooktop must conform with local codes, or in the absence of local codes, with the National Fuel Gas Code, ANSI Z223.1/NFPA.54, latest edition. In Canada, installation must conform with the current Natural Gas Installation Code, CAN/CGA-B149.1 or the current Propane (LP) Installation Code, CAN/CGA-B149.2, and with local codes where applicable. This product has been design-certified by UL according to ANSI Z21.1, latest addition and Canadian Gas Association according to CAN/CGA-1.1 latest addition.

When installing a gas appliance the use of old flexible connectors can cause gas leaks and personal injury. Always use a NEW flexible connector.

Leak testing of the appliance shall be conducted according to the manufacturer instructions.

The cooktop must be electrically grounded in accordance with local codes or, in the absence of local codes, in accordance with the National Electrical Code (ANSI/NFPA 70, latest edition). In Canada, electrical grounding must be in accordance with the current CSA C22.1 Canadian Electrical Code Part 1 and/or local codes. See Electrical Connections in this section.

Do not install this product with an air curtain hood or other cooktop hood that operates by blowing air down on the cooktop. This airflow may interfere with operation of the gas burners resulting in fire or explosion hazard.

READ AND SAVE THESE INSTRUCTIONS

Safety Information

BEFORE YOU BEGIN

Read these instructions completely and carefully.

- **IMPORTANT** — Save these instructions for local inspector's use.
- **IMPORTANT** — Observe all governing codes and ordinances.
- **IMPORTANT** — Remove all packing material and literature from appliance before connecting gas and electrical supply to cooktop.
- **IMPORTANT** — To avoid damage to your cabinets, check with your builder or cabinet supplier to make sure that the materials used will not discolor, delaminate or sustain other damage. This appliance has been designed in accordance with the requirements of UL and CSA International and complies with the maximum allowable wood cabinet temperatures of 194°F (90°C).
- **Note to Installer** — Be sure to leave these instructions with the consumer.
- **Note to Consumer** — Keep these instructions with your Owner's Manual for future reference.
- **Service** — The electrical diagram is in an envelope inside of the cooktop.
- Proper installation is the responsibility of the installer.
- Product failure due to improper installation is not covered under warranty.
- For Monogram local service in your area, 1.800.444.1845.
- For Monogram Service in Canada, call 1.800.561.3344.
- For Monogram Parts and Accessories, call 1.800.626.2002.
- If you received a damaged cooktop, you should contact your dealer.

MOBILE HOME - ADDITIONAL INSTALLATION REQUIREMENTS

The installation of this product must conform to the Manufactured Home Construction and Safety Standard, Title 24 CFR, Part 3280 (formerly the Federal Standard for Mobile Home Construction and Safety, Title 24, HUD Part 280). When such standard is not applicable, use the Standard for Manufactured Home Installations, ANSI A225.1/NFPA 501A or with local codes.

In Canada, the installation of this product must conform with the current standards CAN/CSA-A240-latest edition, or with local codes.

When this cooktop is installed in a mobile home, it must be secured during transit. Any method of securing the cooktop is adequate as long as it conforms to the standards listed above.

IF SOLD OUTSIDE THE U.S. AND CANADA

▲ WARNING If you wish to use this product with Liquefied Petroleum (LP) gas containing greater than 10% butane, you must purchase the butane conversion kit #WB28X29976. To order, please call 1.888.664.8403 or 1.787.276.4051. Failure to do so may result in carbon monoxide or fire hazard.

VENT HOOD COMBINATIONS

A suitable overhead vent hood is recommended.

READ AND SAVE THESE INSTRUCTIONS

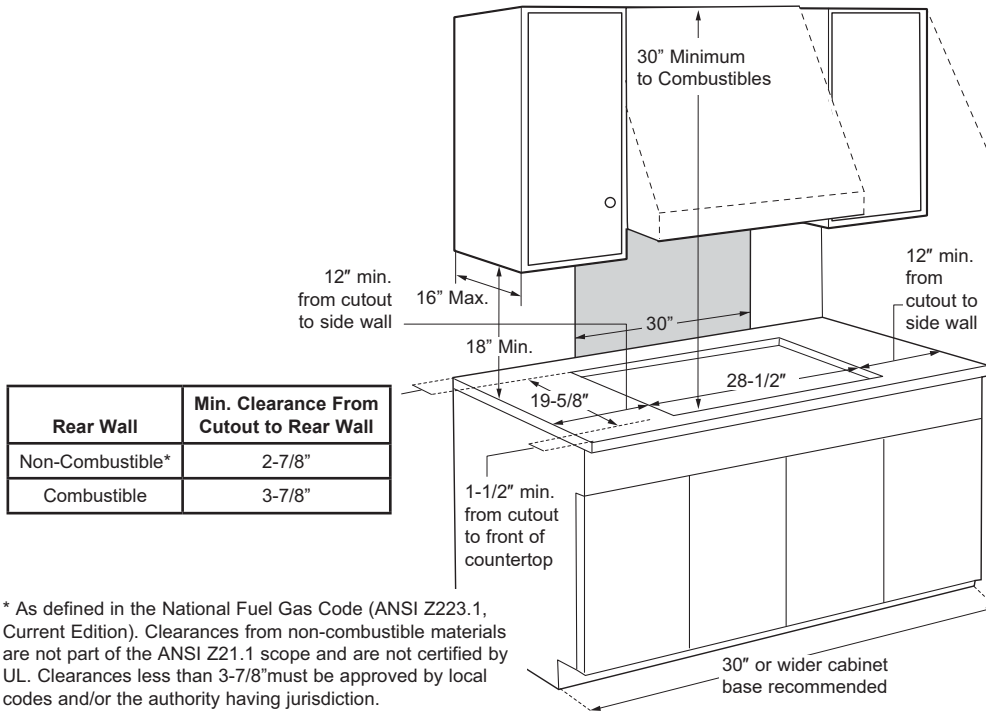
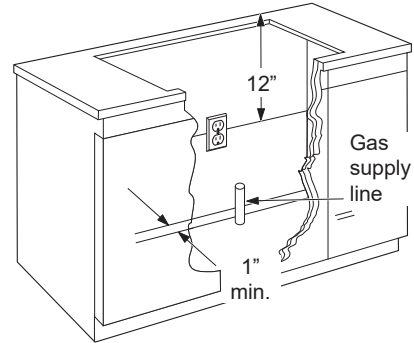
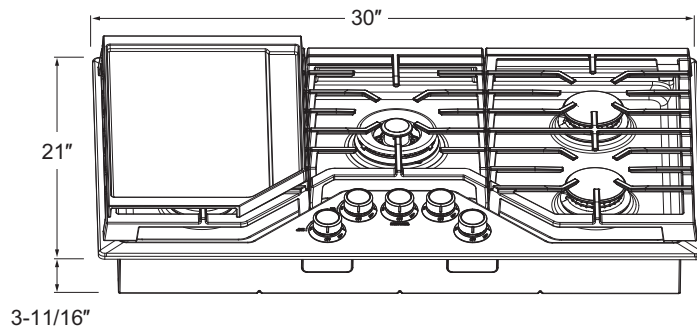
Contents

CONTENTS

Safety Information	2	Installation	
Design Information		Materials Provided	11
Product Dimensions and Clearances		Tools Required	11
for 30" Models	5	Remove Packaging	11
Product Dimensions and Clearances		Cut the Countertop Opening	12
for 36" Models	6	Installing the Cooktop	13
Product Dimensions and Clearances		Conversion To Propane (LP) or Natural Gas	13
for 30" and 36" Models	7	Gas Supply	14
Installation Options		Electrical Connections	15
Cooktop Installation With A Monogram		Check Burners	15
Downdraft Vent	8	Check Surface Burners	15
Cooktop Installation Over A Monogram		When All Hookups are Completed	16
Warming Drawer	9	Finalize Installation	16
Cooktop Installation Over a 27" or 30" Monogram		Installation Checklist	16
Single Oven	10	Installation Instructions	
		Conversion to Propane (LP) or Natural Gas	
		Tools You Will Need for Conversion	17
		Convert the Regulator	17
		Change Burner Orifices	17
		Check Surface Burners	18
		Adjusting Low Flame Setting on Cooktop Burners	19
		Additional Information	19

Design Information

PRODUCT DIMENSIONS AND CLEARANCES FOR 30" MODELS



Rear Wall	Min. Clearance From Cutout to Rear Wall
Non-Combustible*	2-7/8"
Combustible	3-7/8"

* As defined in the National Fuel Gas Code (ANSI Z223.1, Current Edition). Clearances from non-combustible materials are not part of the ANSI Z21.1 scope and are not certified by UL. Clearances less than 3-7/8" must be approved by local codes and/or the authority having jurisdiction.

⚠ WARNING

Installations without a hood require 30" minimum to combustibles. A custom hood installation with exposed horizontal combustible surfaces must have an Auto-On feature. Refer to hood installation instructions for specific hood clearances.

Clearances less than 3-7/8" from cutout to rear wall require the surface of the entire back wall above the cooktop and below the hood to be covered with a non-combustible material. The material should be no less than 0.25" (6.4 mm) thick flame-retardant millboard covered with no less than No. 28 MSG sheet metal 0.015" (0.38 mm) thick, 0.015" (0.38 mm) thick stainless steel, 0.25" (0.64 mm) aluminum or 0.020" (0.5 mm) copper.

⚠ CAUTION

To prevent drafts from affecting burner operation, seal all openings in floor under appliance and behind appliance wall.

ADDITIONAL CLEARANCES:

Allow 12" minimum clearance to an adjacent wall on each side.

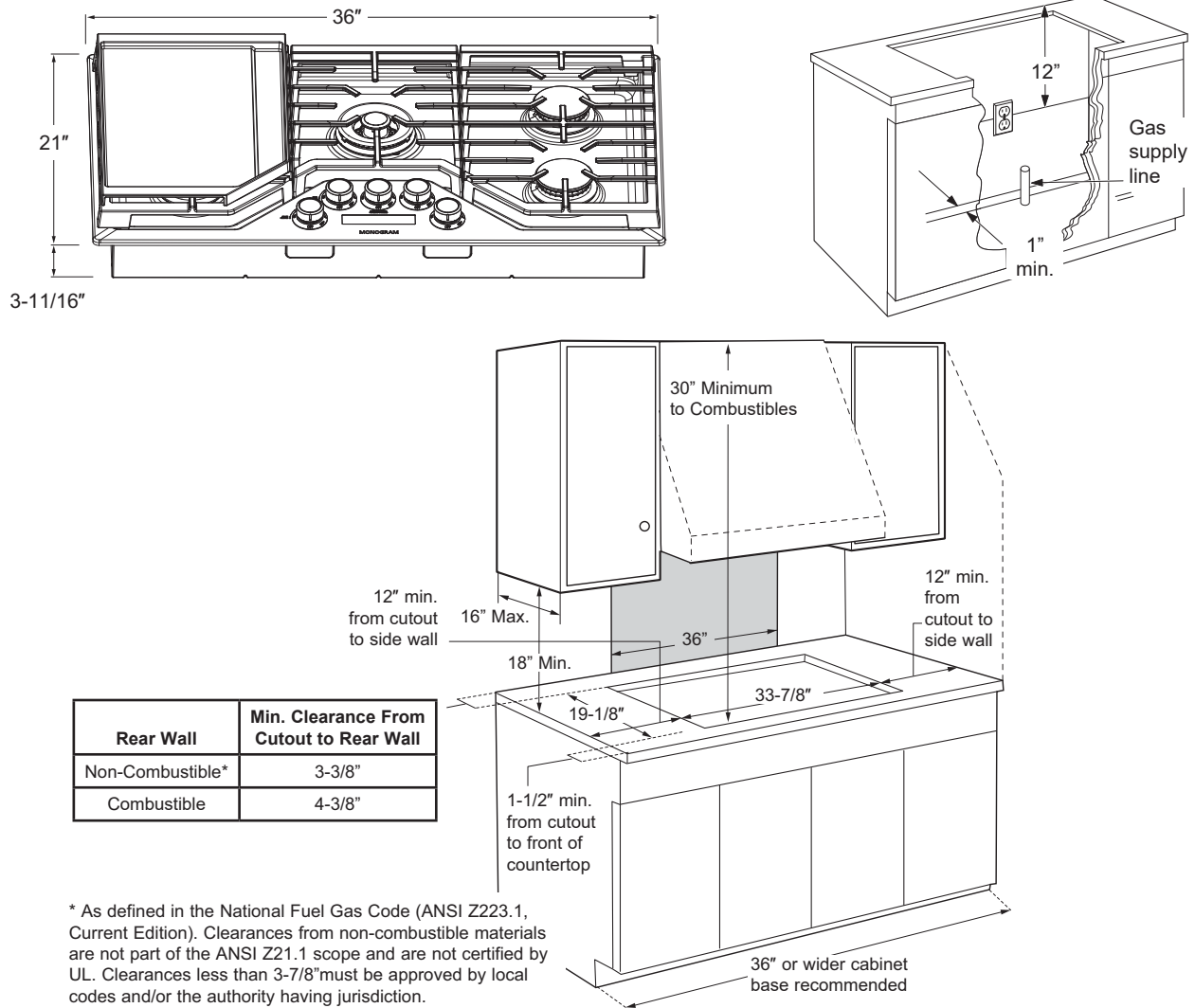
Working areas adjacent to the cooktop should have 18" minimum clearance between countertop and the bottom of the wall cabinet.

NOTE: Allow 7/16" minimum vertical clearance from the cooktop bottom (or 4-9/16" minimum depth from the countertop) to any combustible surfaces, such as a cabinet drawer.

For island installation, maintain 1-1/2 in. minimum from cutout to front and 2-1/2 in. minimum from cutout to back edge of countertop. Maintain 3 in. minimum from cutout to side edges of countertop.

Design Information

PRODUCT DIMENSIONS AND CLEARANCES FOR 36" MODELS



⚠ WARNING

Installations without a hood require 30" minimum to combustibles. A custom hood installation with exposed horizontal combustible surfaces must have an Auto-On feature. Refer to hood installation instructions for specific hood clearances.

Clearances less than 4-3/8" from cutout to rear wall require the surface of the entire back wall above the cooktop and below the hood to be covered with a non-combustible material. The material should be no less than 0.25" (6.4 mm) thick flame-retardant millboard covered with no less than No. 28 MSG sheet metal 0.015" (0.38 mm) thick, 0.015" (0.38 mm) thick stainless steel, 0.25" (0.64 mm) aluminum or 0.020" (0.5 mm) copper.

⚠ CAUTION

To prevent drafts from affecting burner operation, seal all openings in floor under appliance and behind appliance wall.

ADDITIONAL CLEARANCES:

Allow 12" minimum clearance to an adjacent wall on each side.

Working areas adjacent to the cooktop should have 18" minimum clearance between countertop and the bottom of the wall cabinet.

NOTE: Allow 7/16" minimum vertical clearance from the cooktop bottom (or 4-9/16" minimum depth from the countertop) to any combustible surfaces, such as a cabinet drawer.

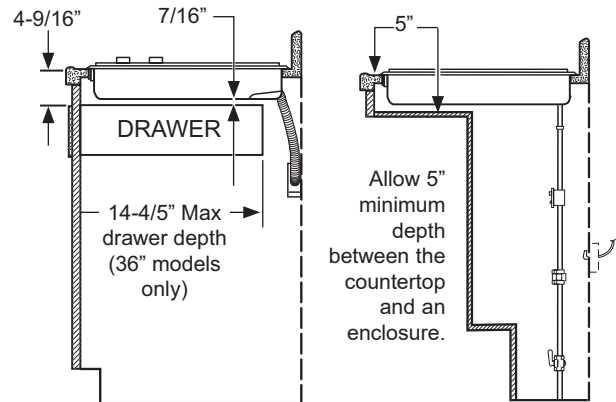
For island installation, maintain 1-1/2 in. minimum from cutout to front and 2-1/2 in. minimum from cutout to back edge of countertop. Maintain 3 in. minimum from cutout to side edges of countertop.

Design Information

PRODUCT DIMENSIONS AND CLEARANCES FOR 30" AND 36" MODELS

For Americans with Disabilities Act (ADA) Forward Approach Installation Only:

NOTE: The enclosure must be made of wood material. Also, an access panel is required for the electrical outlet, pressure regulator, shut-off valve, hold-down brackets, and service.



Installation Options

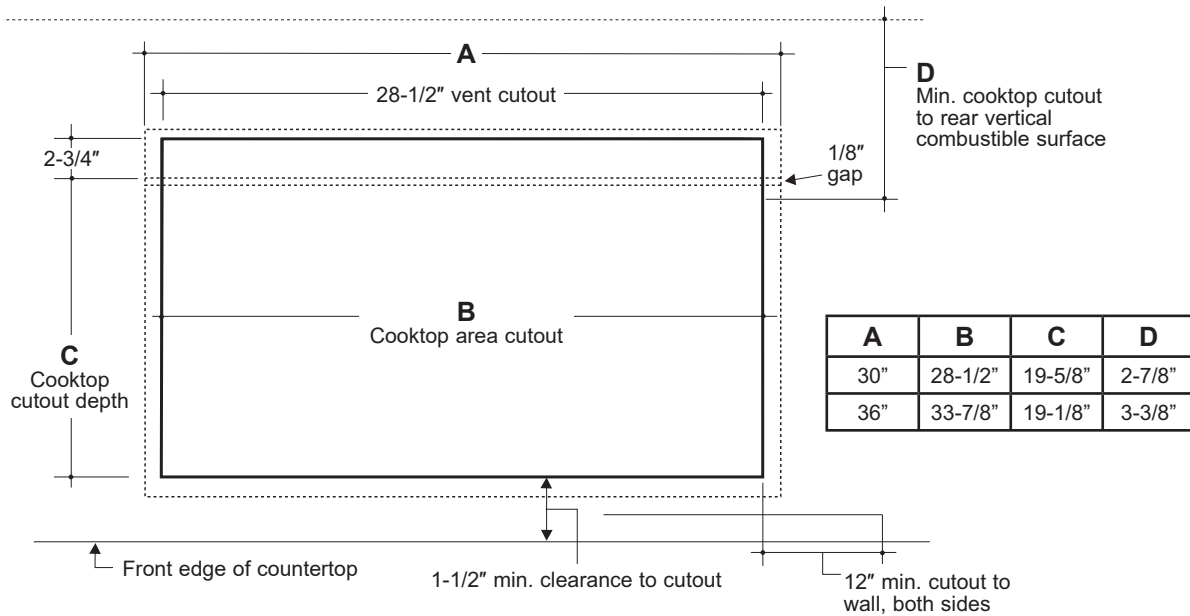
COOKTOP INSTALLATION WITH A MONOGRAM DOWNDRAFT VENT (See Monogram.com for approved combo installations)

The installation of the downdraft vent with this cooktop requires careful consideration. Both the cooktop and the vent must be installed according to each specific installation instruction.

COOKTOP REQUIREMENTS

The countertop must have a deep flat surface to accommodate the cooktop and vent. Countertops with a rolled front edge and backsplash will not provide the flat surface area required.

- Review the illustration to determine the countertop surface requirements.
 - All cutout clearances for this installation must be observed.



BASE CABINET REQUIREMENTS

The combined installation will fit in a standard 24" deep base cabinet. Use a 30" or wider base cabinet.

- The vent housing, blower and ductwork will occupy the base cabinet.

POWER SUPPLY

If local codes permit, the vent and cooktop may operate from the same 120V, 15 amp duplex outlet. Locate the gas and electrical supply.

Installation Options

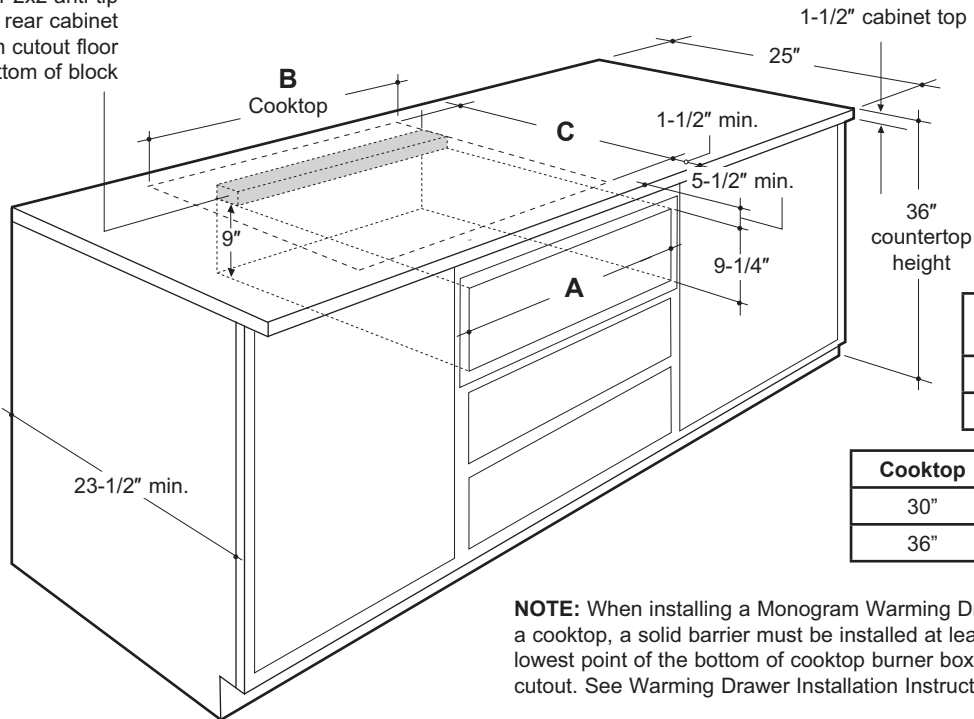
COOKTOP INSTALLATION OVER A MONOGRAM WARMING DRAWER (See Monogram.com for approved combo installations)

These cooktops may be installed over a 30" or 27" Warming Drawer. Both the cooktop and the warming drawer must be installed according to each specific installation instruction.

POWER SUPPLY

If local codes permit, the cooktop and warming drawer may operate from the same 120V duplex outlet. Refer to installation instructions for details.

Install 2x4 or 2x2 anti-tip block against rear cabinet wall 9" from cutout floor to bottom of block



Warming Drawer	A
30"	28-1/2"
27"	25-1/2"

Cooktop	B	C
30"	28-1/2"	19-5/8"
36"	33-7/8"	19-1/8"

NOTE: When installing a Monogram Warming Drawer below a cooktop, a solid barrier must be installed at least 1" from the lowest point of the bottom of cooktop burner box to the top of cutout. See Warming Drawer Installation Instructions for details.

Use a 30" or wider base cabinet.

- Plan gas supply location carefully to avoid interference with the warming drawer.

Installation Options

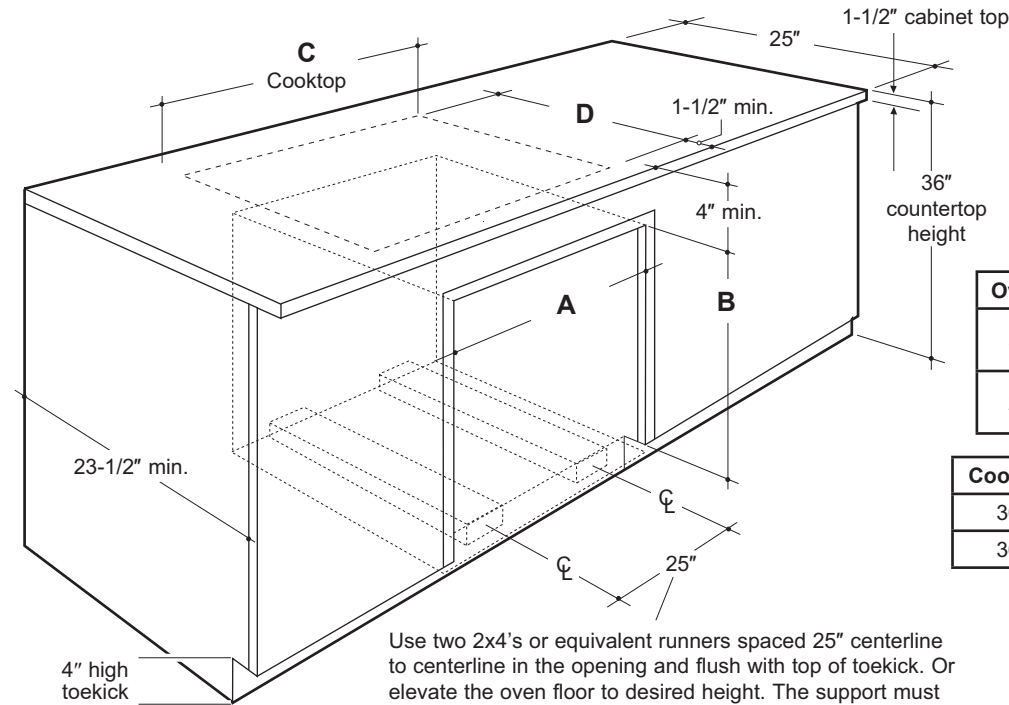
COOKTOP INSTALLATION OVER A 27" OR 30" MONOGRAM SINGLE OVEN (See Monogram.com for approved combo installations)

These cooktops may be installed over the Monogram single oven. Both the cooktop and the oven must be installed according to each specific installation instruction.

- Allow 4" Min. clearance from the top of the countertop to the top of the oven cutout.

POWER SUPPLY

The oven requires a separate, properly grounded 20 Amp, 3-wire 208 or 240 volt, 60 Hz power supply. The cooktop requires a separate 120V power supply. Where codes permit, the gas shut-off valve may be located in an adjacent cabinet or other easily accessible location.



Ovens	A	B
30"	28-1/2" min. 28-5/8" max.	27-1/4" min. 27-5/16" max.
27"	25" min. 25-1/4" max.	27-5/8" min. 28-1/8" max.

Cooktop	C	D
30"	28-1/2"	19-5/8"
36"	33-7/8"	19-1/8"

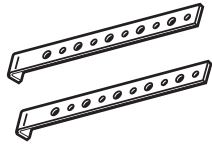
Use two 2x4's or equivalent runners spaced 25" centerline to centerline in the opening and flush with top of toekick. Or elevate the oven floor to desired height. The support must be level, rigidly mounted and capable of supporting 200 lbs.

Use a 30" or wider base cabinet.

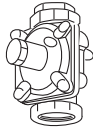
- For best appearance, the cooktop should be centered over the oven.

Installation

MATERIALS PROVIDED



2 Hold-Down Brackets



Regulator

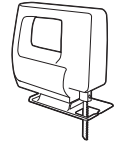
TOOLS REQUIRED



Phillips screwdriver



Open-end or adjustable wrench



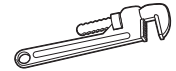
Saber Saw



Flat-blade screwdriver



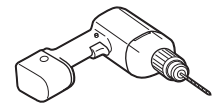
Pencil and ruler



Pipe wrenches (2)
(one for backup)



Safety Glasses

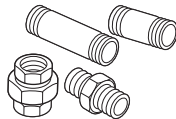


1/8" Drill Bit & Electric or Hand Drill

MATERIALS REQUIRED (not provided)



Pipe Thread Sealant



Pipe Fittings



Shut-Off Valve

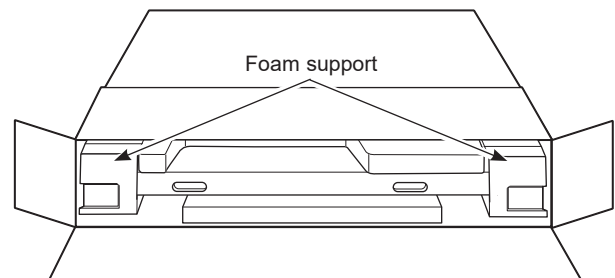


5-foot maximum length, 5/8" O.D. CSA-approved flexible metal gas supply

NOTE: Purchase new flexible line; do not use previously used flexible gas line.

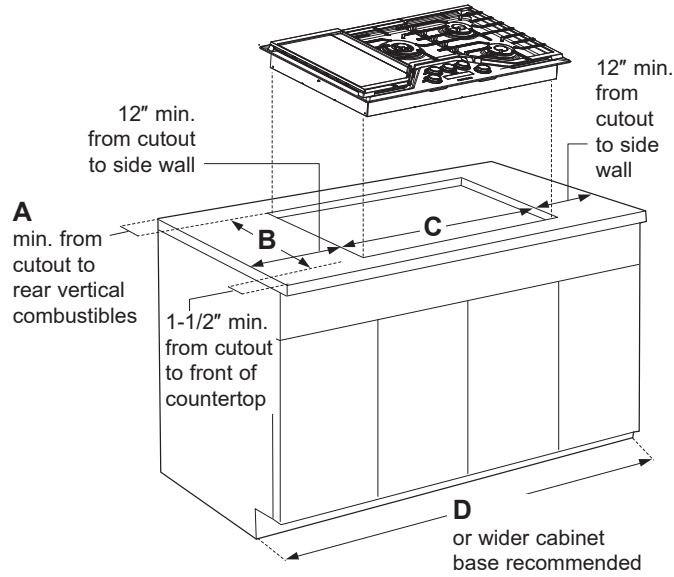
1 REMOVE PACKAGING

- Remove packaging tape and foam. Dispose of packaging materials properly.
- Slide the cooktop out of the end of the box. Remove packaging materials, grate boxes, regulator and literature package from the cooktop before beginning installation.
- Use the shipping carton as a pad to protect customer countertops or flooring.



Installation

2 CUT THE COUNTERTOP OPENING



Use a 30" or wider base cabinet.

- Cut the opening in the countertop. To ensure accuracy, it is best to make a template for the opening. Make sure the sides of the opening are parallel and the rear and front cuts are exactly perpendicular to the sides.
- Observe all minimum clearances.

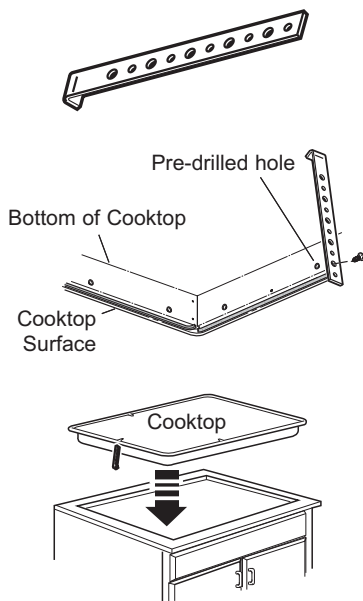
Dimensions				
	A	B	C	D
30" Cooktop	2-7/8"	19-5/8"	28-1/2"	30"
36" Cooktop	3-3/8"	19-1/8"	33-7/8"	36"

Installation

3 INSTALLING THE COOKTOP

- A. Locate electrical outlet and gas shut-off valve beneath cabinet.
- B. Lay cooktop upside down on a towel or tablecloth covered countertop.
- C. Locate and remove hold-down brackets from literature package.
- D. Attach brackets to cooktop. Remove the screw from the side of the cooktop and screw the hold-down bracket to the side of the cooktop unit. Repeat for opposite side of cooktop.
- E. Insert the cooktop centered into the cutout opening. Make sure the front edge of the countertop is parallel to the cooktop. Make final check that all required clearances are met.

Once the unit is in place, screw the hold-down bracket into the cabinet sides to secure the unit into place.



4 CONVERSION TO PROPANE (LP) OR NATURAL GAS

The pressure regulator and the burner orifices are set for natural gas at the factory. To operate the cooktop with propane (LP), the regulator and burner orifices must be converted. The conversion must be performed by a qualified propane (LP) gas installer.

Keep these instructions and all orifices in case you want to convert back to natural gas.

Installation

5 GAS SUPPLY

▲WARNING Fire Hazard: Do not use a flame to check for gas leaks.

▲WARNING Explosion Hazard: Do not exceed 25 ft-lbs of torque when making gas line connections. Overtightening may damage the pressure regulator resulting in fire or explosion hazard.

Gas Pressure Regulator

You must use the gas pressure regulator supplied with this cooktop. For proper operations the inlet pressure to the regulator should be as follows:

Natural Gas:

Minimum pressure: 6" of Water Column
Maximum pressure: 13" of Water Column

Propane (LP) Gas:

Minimum pressure: 11" of Water Column
Maximum pressure: 13" of Water Column

If you are not sure about the inlet pressure contact local gas supplier.

Shut off the main gas supply valve before disconnecting the old cooktop and leave it off until the new hook-up has been completed. Don't forget to relight the pilot on other gas appliances when you turn the gas back on.

Because hard piping restricts movement of the cooktop, the use of a CSA International-certified flexible metal appliance connector is recommended unless local codes require a hard-piped connection.

If the hard piping method is used, carefully align the pipe; the cooktop cannot be moved after the connection is made.

To prevent gas leaks, put pipe thread sealant on, or wrap pipe thread tape with Teflon* around all male (external) pipe threads.

- Install provided pressure regulator directly to the gas inlet pipe of the cooktop. Refer to the arrow on the back of the regulator for gas flow direction. Ensure the front of the regulator is facing towards the cabinet front, easily accessible through the cabinet doors.
- Install a manual shut-off valve in the gas line in a location easily accessible through the cabinet doors.
- When all connections have been made, ensure all gas controls are in the off position and turn on the main gas supply valve. Use a liquid leak detector at all joints and connections to check for leaks in the system.

*Teflon: Registered trademark of DuPont

5 GAS SUPPLY (cont.)

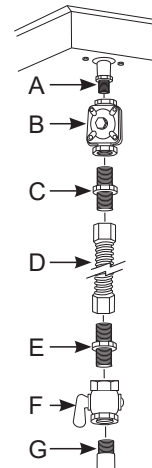
When using pressures greater than 1/2 psig to pressure test the gas supply system of the residence, disconnect the cooktop and individual shut-off valve from the gas supply piping. When using pressures of 1/2 psig or less to pressure test the gas supply system, simply isolate the cooktop from the gas supply system by closing the individual shut-off valve.

When checking for proper operation of the regulator, the inlet pressure must be at least 1" greater than the operating (manifold) pressure as given on rating label of product.

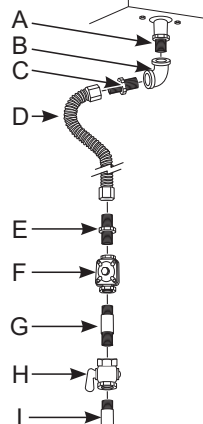
CONNECTOR HOOKUP

TYPICAL INSTALLATION WITH NO OBSTRUCTION BELOW COOKTOP

- 3/8" NPT x 3/8" NPT threaded adapter fitting (on some models)
- Regulator provided with unit:
 - Outlet - 3/8" NPT female pipe thread
 - Inlet - 1/2" NPT female pipe thread
- Adapter
- Flexible connector
- Adapter
- Manual shut-off valve
- Gas pipe 1/2" or 3/4"



ALTERNATE INSTALLATION WITH OBSTRUCTION BELOW COOKTOP



- 3/8" NPT x 3/8" NPT threaded adapter fitting (on some models)
- Elbow
- Adapter
- Flexible connector (allows passage through cabinet wall)
- Adapter
- Regulator provided with unit:
 - Outlet - 3/8" NPT female pipe thread
 - Inlet - 1/2" NPT female pipe thread
- Gas pipe
- Manual shut-off valve
- Gas pipe 1/2" or 3/4"

Installation

6 ELECTRICAL CONNECTIONS

⚠ WARNING Shock Hazard: This appliance must be properly grounded. Failure to do so can result in electric shock.

Electrical Requirements - 120-volt, 60 Hertz, properly grounded dedicated circuit protected by a 15-amp or 20-amp circuit breaker or time delay fuse.

NOTE: Use of automatic, wireless, or wired external switches that shut off power to the appliance are not recommended for this product.

Grounding

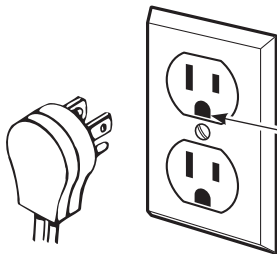
The power cord of this appliance is equipped with a three-prong (grounding) plug which plugs into a standard three-prong grounding wall receptacle to minimize the possibility of electric shock hazard from this appliance.

The customer should have the wall receptacle and circuit checked by a qualified electrician to make sure the receptacle is properly grounded.

Where a standard two-prong wall receptacle is encountered, it is the personal responsibility and obligation of the customer to have it replaced with a properly grounded three-prong wall receptacle.

DO NOT, UNDER ANY CIRCUMSTANCES, CUT OR REMOVE THE THIRD (GROUND) PRONG FROM THE POWER CORD. DO NOT USE AN ADAPTER. DO NOT USE AN EXTENSION CORD.

Ground Fault Circuit Interrupters (GFCI's) are not required or recommended for gas cooktop receptacles. Performance of the cooktop will not be affected if operated on a GFCI-protected circuit but occasional nuisance tripping of the GFCI breaker may occur.

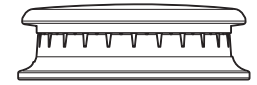


Ensure proper ground exists before use

7 CHECK BURNERS

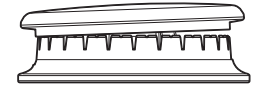
⚠ WARNING Fire or Explosion Hazard: Do not operate the burner without all burner parts in place.

A. **Burners** - Place surface burners into corresponding positions on cooktop.



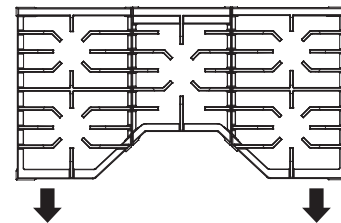
Burner Cap Properly Seated

B. **Caps** - Place caps on proper size burner.



Burner Cap Not Properly Seated

C. **Grates** - The left and right grates are interchangeable. Place the grates on the cooktop. Place the two side grates so that a continuous "line" is formed with the center ribs of both grates. Make sure both grates are stable and level.



8 CHECK SURFACE BURNERS

Push and turn a knob to the LITE position. A clicking sound indicates proper operation of the ignition system. When lighting any burner, sparks will appear at all burners but gas flows from only the one selected. Once air is purged from the supply line, burner should light within 4 seconds. After burner lights, rotate the knob out of the LITE position. Try each burner in succession until all burners have been checked.

Quality of Flames

Determine the quality of flames visually. Normal burner flames should look like (A) or (B).



(A) Soft blue flames—
Normal for natural gas



(B) Yellow tips on
outer cones—
Normal for propane (LP) gas

Long, bright yellow flames are not normal. Normal flames may show signs of an orange tint when well heated or signs of flickering orange due to particles in the gas or air.

Installation

WHEN ALL HOOKUPS ARE COMPLETED

Check that all packing materials and tape have been removed. This will include tape on metal panel under control knobs (if applicable), adhesive tape, wire ties, cardboard and protective plastic. Failure to remove these materials could result in damage to the appliance once the appliance has been turned on and surfaces have heated.

FINALIZE INSTALLATION

Place the burner grates over the burners. The grates should be seated and should not rock.

INSTALLATION CHECKLIST

- Make sure all controls are left in the OFF position.
- Make sure the flow of combustion and ventilation air to the cooktop is unobstructed.
- **Recheck Steps:**
Double check to make sure everything in this manual has been completed. Rechecking steps will ensure safe use of the cooktop.

NOTE: The rating plate is located on the bottom of the cooktop. The model and serial number may also be found behind the left knob and is visible when the knob is pulled off.

Installation Instructions

Conversion to Propane (LP) or Natural Gas

⚠ WARNING Explosion Hazard

Death or serious injury can result from failure to follow these instructions.

- Service by a qualified service technician only.
- Shut off gas supply and disconnect power before servicing.
- Reconnect all grounding devices after service.
- Replace all parts and panels before operating.

The pressure regulator and the burner orifices are factory set for natural gas. To operate the cooktop with propane (LP) gas, the regulator and burner orifices must be converted by following these instructions:

⚠ WARNING Do not operate the cooktop before converting the burner orifices for the gas to be used. Failure to do so could cause high flames and toxic fumes which can result in serious injury.

TOOLS YOU WILL NEED FOR CONVERSION



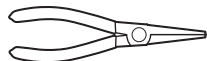
Safety Glasses



Crescent Wrench



1/4" and 7mm Nutdrivers



Small Pliers



Small Flat-Head Screwdriver
(2 to 2.4 mm or 3/32" tip size, 60 mm long)

1 CONVERT THE REGULATOR

Disconnect all electrical power at the main circuit breaker or fuse box.

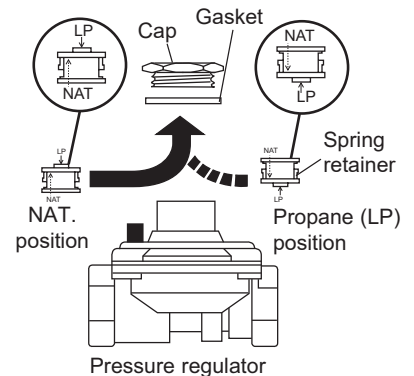
- A. Shut off the gas supply to the cooktop by closing the manual shut-off valve.

1 CONVERT THE REGULATOR (Cont.)

B. Adjust the pressure regulator by the following instructions:

- Unscrew the cap.
- Carefully look at the spring retainer to locate the NAT or propane (LP) position.
- Turn the spring retainer over by rotating it 90 deg., pull it from the cap, turn the spring retainer over so that propane (LP) is showing, insert it back into the cap, and then rotate it 90 deg. into position.

- Screw the cap back onto the regulator and tighten.

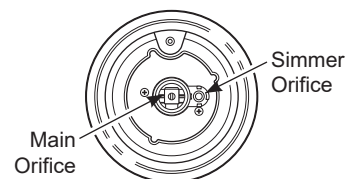
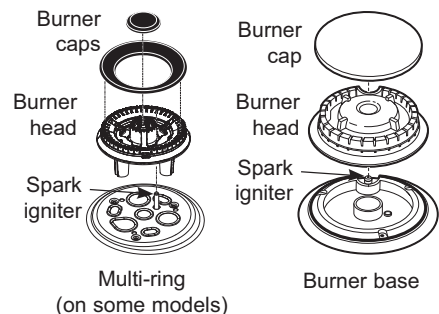


2 CHANGE BURNER ORIFICES

INSTALLATION TIP: First remove all orifices and then start replacing them. This will help to prevent the possibility that some may not be replaced.

A. Remove the burner grates, burner caps and burner heads.

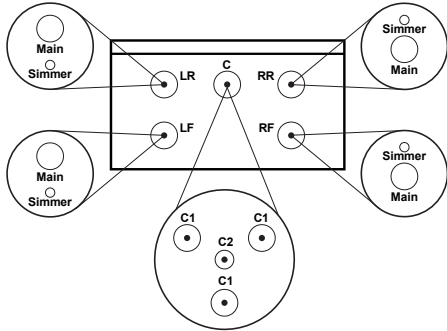
B. Loosen the top burner orifices using a 7 mm nut driver. Use small pliers to carefully lift out the orifices.




The main orifice is located low in the center of the burner, while the simmer orifice is located higher beside the center of the burner.


Installation Instructions for Gas Conversion

2 CHANGE BURNER ORIFICES (cont.)



- A. Remove the propane (LP) orifices from the bracket attached to the regulator. The top and side surface of the orifices are engraved for identification. Use the table and figure to determine the placement of the propane (LP) orifices.
- B. Using a 7mm or 9/32" nut driver, install the propane (LP) orifices in their precise locations. To prevent leakage, make sure the orifices are securely screwed into the gas inlets.
- C. Install the old orifices into the metal bracket along with these instructions, and replace onto the regulator for possible future conversion.
- D. Replace the burner heads, caps and top grates.

 108 - Denotes 1.08mm orifice size opening
XL - Denotes propane (LP)

 95 - Denotes 0.95mm orifice size opening
L - Denotes propane (LP)

BURNER OUTPUT RATINGS: BTU/HR			
Propane (LP) Gas 10" W.C.P.			
BURNER	BTU RATE	ORIFICE SIZE (mm)	MARKING
LF	10,000		
Main	N/A	0.88	88XL
Simmer	N/A	0.34	34SL
LR	10,000		
Main	N/A	0.88	88XL
Simmer	N/A	0.34	34SL
C	18,000		
C1	N/A	0.686	69L
C1	N/A	0.686	69L
C1	N/A	0.686	69L
C2	N/A	0.41	41L
RR	10,000		
Main	N/A	0.88	88XL
Simmer	N/A	0.34	34SL
RF	12,000		
Main	N/A	0.97	97XL
Simmer	N/A	0.34	34SL

3 CHECK SURFACE BURNERS

Push and turn a knob to the LITE position. A clicking sound indicates proper operation of the ignition system. When lighting any burner, sparks will appear at all burners but gas flows from only the one selected. Once air is purged from the supply line, burner should light within 4 seconds. After burner lights, rotate the knob out of the LITE position. Try each burner in succession until all burners have been checked.

Quality of Flames

Determine the quality of flames visually. Normal burner flames should look like (A) or (B).



(A) Soft blue flames—
Normal for natural gas



(B) Yellow tips on
outer cones—
Normal for propane (LP) gas

Long, bright yellow flames are not normal. Normal flames may show signs of an orange tint when well heated or signs of flickering orange due to particles in the gas or air.

Installation Instructions for Gas Conversion

4 ADJUSTING LOW FLAME SETTING ON COOKTOP BURNERS

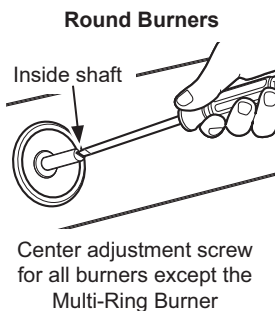
This procedure adjusts the low flow of the upper ring of flames on each of the 4 dual stack burners. The lower row of flames is not adjustable.

Low setting adjustments must be made with 2 other burners in operation on a medium setting. This procedure prevents the low flame from being set too low, resulting in the flame being extinguished when other burners are turned on.

A. Turn on surface burners to medium setting.

B. Turn the knob on the burner being adjusted to "LO".

C. Remove the knob and insert a small flat blade screwdriver in the valve shaft as shown. Turn counterclockwise as far as possible while maintaining a stable flame. Repeat for all valves.

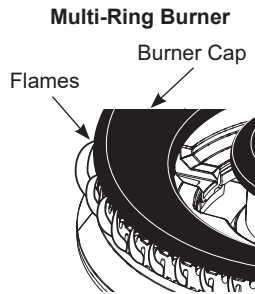


D. If flame appears too low or unstable, slowly turn adjustment screw clockwise until a stable flame exists for each burner.

E. Additionally, for each burner being adjusted, quickly open and close the cabinet doors while observing the flame. If flame is extinguished, turn adjustment screw clockwise for a larger flame. Repeat door openings until flame is stable.

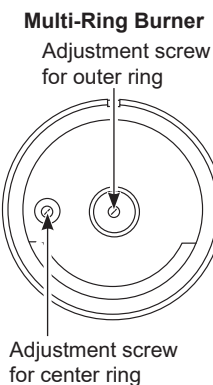
Multi-Ring Burner (on some models)

- Turn on burner to MED setting to adjust the outer ring. Turn the outer ring adjustment screw (in the center of the valve shaft) counterclockwise so that the outer ring flames barely curl over the top edge of the burner cap.



- Turn on burner to SIM setting to adjust the center ring. Turn counterclockwise as far as possible while maintaining a stable flame.

- Open and close the cabinet doors while observing the flame. If flame is extinguished, turn adjustment screw clockwise for a larger flame. Repeat door openings until flame is stable.



SPECIAL NOTE:


To convert the cooktop back to natural gas, reverse the instructions given in making propane (LP) adjustments.

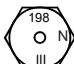
NOTICE:

Once the conversion is complete and confirmed, fill out the propane (LP) sticker and include your name, organization and date conversion was made. Apply the sticker to the cooktop near the regulator to alert others in the future that this appliance has been converted to propane (LP). If converting back to natural gas from propane (LP), please remove the sticker so others know the appliance is set to use natural gas.

ADDITIONAL INFORMATION

BURNER OUTPUT RATINGS: BTU/HR			
NG (Natural) Gas 5" W.C.P.			
BURNER	BTU RATE	ORIFICE SIZE (mm)	MARKING
LF	10,000		
Main	N/A	1.28	128XN
Simmer	N/A	0.51	51SN
LR	10,000		
Main	N/A	1.28	128XN
Simmer	N/A	0.51	51SN
C	20,000		
C1	N/A	1.1	110N
C1	N/A	1.1	110N
C1	N/A	1.1	110N
C2	N/A	0.63	63N
RR Main	10,000		
Main	N/A	1.28	128XN
Simmer	N/A	0.51	51SN
RF	12,000		
Main	N/A	1.45	145XN
Simmer	N/A	0.51	51SN

 190 - Denotes 1.90mm orifice size opening
XN - Denotes natural gas

 198 - Denotes 1.98mm orifice size opening
N - Denotes Natural Gas

NOTE: While performing installations described in this book, safety glasses or goggles should be worn.

NOTE: Product improvement is a continuing endeavor at Monogram. Therefore, materials, appearance and specifications are subject to change without notice.

INSTRUCTIONS D'INSTALLATION

Tables de cuisson au gaz en
acier inoxydable de 30 et 36 po

ELEVATE EVERYTHING

MONOGRAM

Consignes de sécurité

Des questions? Appelez Monogram au 800.444.1845 ou visitez monogram.com.
Au Canada, composez le 899.561.3344 ou visitez monogram.ca.

DANS LE COMMONWEALTH DU MASSACHUSETTS

- Ce produit doit être installé par un plombier ou un monteur d'installations au gaz agréés.
- Si l'on utilise des robinets de sectionnement du gaz à rotule, ils doivent comporter une poignée en « T ».
- Un raccord de gaz flexible, le cas échéant, ne doit pas excéder 1,5 m (5 pi).

▲ AVERTISSEMENT RISQUE D'INCENDIE OU D'EXPLOSION

Si les instructions contenues dans ce manuel ne sont pas observées rigoureusement, un incendie ou une explosion peuvent en résulter et causer des dommages à la propriété, des blessures corporelles ou la mort.

L'installation doit être effectuée par un installateur qualifié.

Lisez ces instructions au complet et attentivement.

L'installation de cette table de cuisson doit être conforme aux codes locaux, ou en l'absence de codes locaux, conformément au National Fuel Gas Code, ANSI Z223.1/NFPA.54, dernière édition. Au Canada, l'installation doit se conformer au Code d'installation du gaz naturel actuel CAN/CGA-B149.1 ou au Code d'installation du propane (LP) CAN/CGA-B149.2, ainsi qu'à tous les codes locaux en vigueur. Ce produit a été certifié par le laboratoire UL conformément à la norme ANSI Z21.1, dernière édition, et par l'Association canadienne du gaz selon la norme CAN/CGA-1.1, dernière édition.

Lors de l'installation d'un appareil au gaz, l'utilisation de vieux raccords flexibles peut causer des fuites de gaz et des blessures. Utilisez toujours un raccord flexible NEUF. La détection de fuites sur cet appareil doit être effectuée conformément aux instructions du fabricant.

Cette table de cuisson doit être mise à la terre conformément aux codes locaux ou, en l'absence de codes locaux, conformément au National Electrical Code (ANSI/NFPA 70, dernière édition). Au Canada, la mise à la terre électrique doit se conformer à la norme CSA C22.1 de la Partie 1 du Code canadien de l'électricité actuel et/ou aux codes locaux. Consultez la rubrique Raccordements électriques dans cette section.

N'installez pas ce produit sous un rideau d'air ou une hotte de table de cuisson soufflant l'air sur la surface de cuisson. Ce flux d'air peut gêner le fonctionnement des brûleurs à gaz et poser un risque d'incendie ou d'explosion.

LISEZ ET CONSERVEZ CES INSTRUCTIONS

Consignes de sécurité

AVANT DE COMMENCER

Lisez attentivement l'ensemble des consignes.

- **IMPORTANT** — Conservez ces instructions pour l'inspecteur local.
- **IMPORTANT** — Respectez toutes les normes ainsi que les recommandations préconisées par les autorités compétentes.
- **IMPORTANT** — Retirez tous les matériaux d'emballage et la documentation de l'appareil avant d'effectuer le raccordement au gaz ou électrique de la table de cuisson.
- **IMPORTANT** — Pour éviter d'endommager vos armoires, vérifiez auprès de votre entrepreneur ou votre fournisseur d'armoires si les matériaux utilisés résisteront à la décoloration, la délamination et à d'autres dommages. Cet appareil a été conçu conformément aux exigences de la UL et de la CSA International et est adapté pour une température pouvant atteindre jusqu'à 90 °C (194 °F) sous des armoires en bois.
- **Remarque à l'attention de l'installateur** — BAssurez-vous de laisser ces instructions au consommateur.
- **Note au consommateur** — Gardez ces instructions avec votre manuel d'utilisation pour référence ultérieure.
- **Technicien en réparation** — Le schéma électrique se trouve dans une enveloppe à l'intérieur de la table de cuisson.
- L'exactitude de l'installation relève de la responsabilité de l'installateur.
- La garantie ne couvre pas un produit défectueux en raison d'une installation incorrecte.
- Pour contacter le service de dépannage Monogram le plus proche de chez vous, veuillez appeler le 1.800.444.1845.
- Pour contacter le service de dépannage Monogram du Canada, veuillez appeler le numéro 1.800.561.3344.
- Pour contacter le service d'accessoires et de pièces détachées Monogram, veuillez appeler le 1.800.626.2002.
- Communiquez avec votre détaillant si la table de cuisson que vous avez reçue est endommagée.

MAISON MOBILE - EXIGENCES D'INSTALLATION SUPPLÉMENTAIRES

L'installation de ce produit doit satisfaire la norme américaine suivante : Manufactured Home Construction and Safety Standard, Title 24 CFR, Part 3280 (anciennement la norme Federal Standard for Mobile Home Construction and Safety, Title 24, HUD Part 280). Lorsque cette norme n'est pas applicable, utilisez la norme Standard for Manufactured Home Installations, ANSI A225.1/NFPA 501A ou avec les codes locaux.

Au Canada, l'installation de ce produit doit satisfaire les normes en vigueur sous CAN/CSA-A240, dernière édition, ou avec les codes locaux.

Lorsque cette table de cuisson est installée dans une maison mobile, elle doit être fixée pour le transport. Toute méthode de fixation de la table de cuisson est correcte pourvu qu'elle satisfait les normes énumérées ci-dessus.

SI L'ARTICLE EST VENDU À L'EXTÉRIEUR DES É.-U. OU DU CANADA

▲ AVERTISSEMENT Si vous souhaitez utiliser ce produit avec un gaz de pétrole liquéfié (LP) qui contient plus de 10 % de butane, vous devez acheter un nécessaire de conversion au butane no WB28X29976. Pour commander, veuillez composer le 1.888.664.8403 ou le 1.787.276.4051. Le non-respect de cette consigne pourrait présenter un risque d'incendie ou d'intoxication au monoxyde de carbone.

DISPOSITIONS DE HOTTE D'EXTRACTION

Une hotte aspirante est recommandée.

LISEZ ET CONSERVEZ CES INSTRUCTIONS

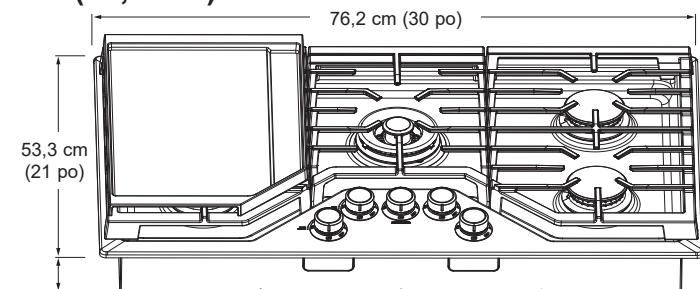
Table des matières

TABLE DES MATIÈRES

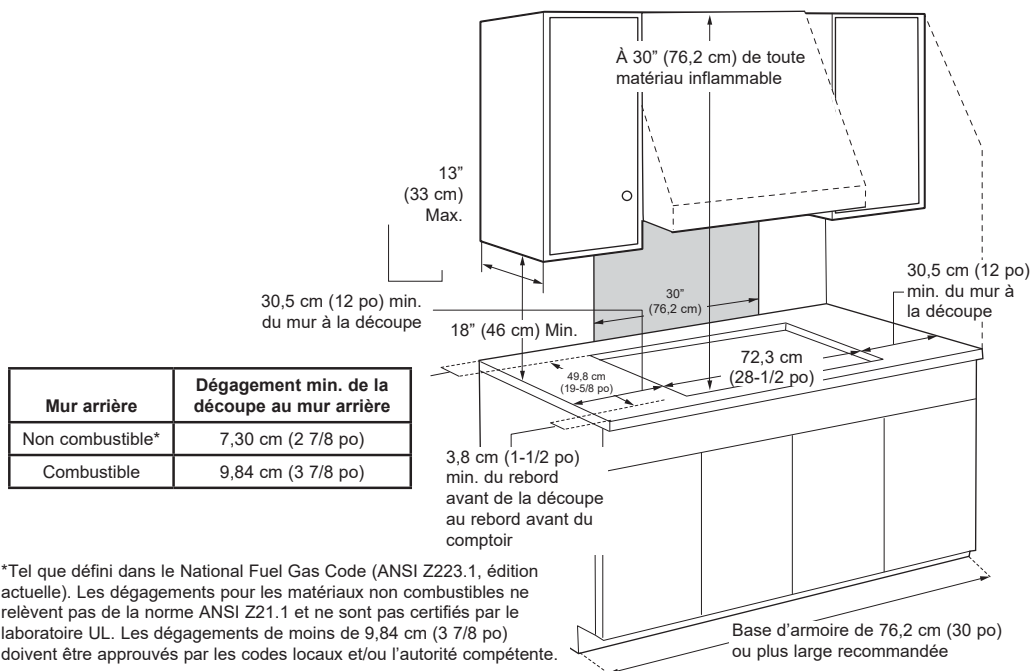
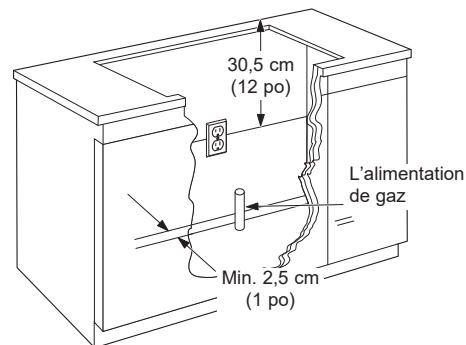
Consignes de sécurité	2	Installation	
Caractéristiques		Matériel fourni.....	11
Dimensions du produit et espaces de séparation pour les modèles de 30" (76,2 cm).....	5	Outils nécessaires.....	11
Dimensions du produit et espaces de séparation pour les modèles de 36" (91,4 cm).....	6	Sortez l'appareil de son emballage.....	11
Dimensions du produit et espaces de séparation pour les modèles de 30" (76,2 cm) et 36" (91,4 cm).....	7	Coupez l'ouverture du plan de travail.....	12
Options d'installation		Installation de la table de cuisson.....	13
Installation d'une table de cuisson avec le système de ventilation par aspiration descendante Monogram.....	8	Conversion au propane (LP) ou au gaz naturel.....	13
Installation de la surface de cuisson au-dessus d'un tiroir chauffe-plats Monogram.....	9	Alimentation en gaz.....	14
Installation de la surface de cuisson au-dessus d'un four simple Monogram de 68,6 cm (27 po) ou 76 cm (30 po) ..	10	Branchements électriques.....	15
		Vérifiez les brûleurs.....	15
		Vérification des brûleurs de surface.....	15
		Une fois tous les raccordements terminés.....	16
		Terminez l'installation.....	16
		Liste de vérification pour l'installation.....	16
		Instructions d'installation	
		Conversion au propane (LP) ou au gaz naturel	
		Outils dont vous aurez besoin pour la conversion.....	17
		Convertir le régulateur.....	17
		Changez les orifices du brûleur.....	17
		Vérification des brûleurs de surface.....	18
		Réglage de flamme basse sur les brûleurs de la table de cuisson.....	19
		Renseignements supplémentaires.....	19

Caractéristiques

DIMENSIONS DU PRODUIT ET ESPACES DE SÉPARATION POUR LES MODÈLES DE 30" (76,2 CM)



9,3 cm
(3-11/16 po)



*Tel que défini dans le National Fuel Gas Code (ANSI Z223.1, édition actuelle). Les dégagements pour les matériaux non combustibles ne relèvent pas de la norme ANSI Z21.1 et ne sont pas certifiés par le laboratoire UL. Les dégagements de moins de 9,84 cm (3 7/8 po) doivent être approuvés par les codes locaux et/ou l'autorité compétente.

⚠ AVERTISSEMENT

Pour les installations dépourvues de hotte, prévoyez au minimum un espace de 30" (76,2 cm) entre l'appareil et toute matière inflammable. Il est possible d'installer une hotte spéciale à proximité d'éléments horizontaux inflammables dans la mesure où celle-ci dispose d'une fonction de mise en marche automatique. Pour obtenir les spécifications d'espace pour d'autres installations pourvues d'une hotte, veuillez vous reporter aux instructions fournies avec celle-ci.

Les dégagements de moins de 9,84 cm (3 7/8 po) entre la découpe et le mur arrière requièrent que la surface de l'ensemble du mur arrière au-dessus de la table de cuisson et sous la hotte soit recouverte d'un matériau non combustible. Ce matériau doit être un carton fort ininflammable d'au moins 6,4 mm (0,25 po) d'épaisseur recouvert d'une tôle de calibre no 28 MSG d'au moins 0,38 mm (0,015 po) d'épaisseur, d'acier inoxydable de 0,38 mm (0,015 po) d'épaisseur, d'aluminium de 0,64 mm (0,025 po) d'épaisseur, ou de cuivre de 0,5 mm (0,020 po) d'épaisseur.

⚠ ATTENTION

Afin d'éviter que les courants d'air ne gênent le fonctionnement du brûleur, scellez toutes les ouvertures dans le plancher sous l'appareil et derrière la paroi de celui-ci.

ESPACES SUPPLÉMENTAIRES :

Prévoyez un espace minimum de 30 cm (12") par rapport au mur adjacent sur chaque côté.

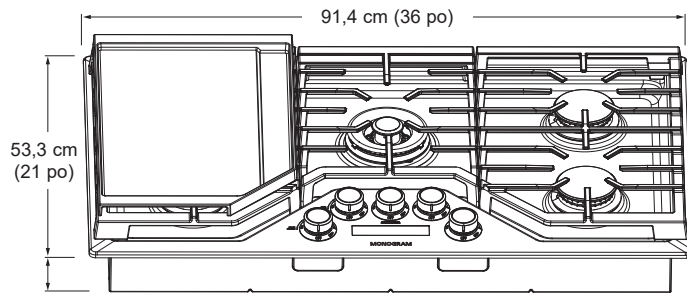
Les espaces de transit autour de la table de cuisson doivent être séparées par un espace d'au moins 45,7 cm (18") entre le plan de travail et le bas du placard mural.

REMARQUE : Laissez un dégagement vertical minimum de 1,1 cm (7/16 po) entre le dessus de la table de cuisson (ou une profondeur minimum de 11,6 cm (4 9/16 po) et toute surface combustible, par exemple un tiroir d'armoire.

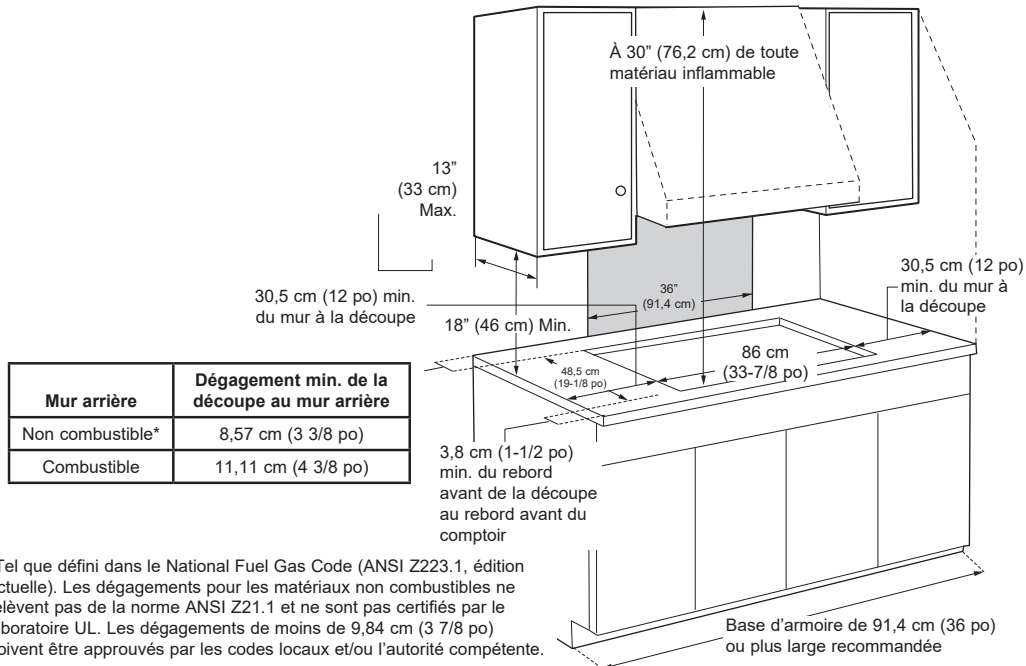
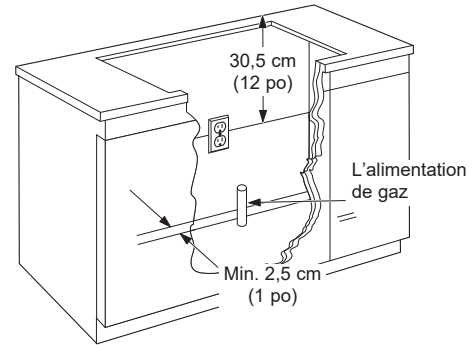
Pour l'installation de l'îlot, gardez un minimum de 3,81 cm (1 1/2 po) entre la découpe et le devant, et un minimum de 6,35 (2 1/2 po) entre la découpe et le bord arrière du comptoir. Garder un espace de 7,6 cm (3 po) minimum sur les côtés du comptoir.

Caractéristiques

DIMENSIONS DU PRODUIT ET ESPACES DE SÉPARATION POUR LES MODÈLES DE 36" (91,4 CM)



9,3 cm
(3-11/16 po)



Mur arrière	Dégagement min. de la découpe au mur arrière
Non combustible*	8,57 cm (3 3/8 po)
Combustible	11,11 cm (4 3/8 po)

*Tel que défini dans le National Fuel Gas Code (ANSI Z223.1, édition actuelle). Les dégagements pour les matériaux non combustibles ne relèvent pas de la norme ANSI Z21.1 et ne sont pas certifiés par le laboratoire UL. Les dégagements de moins de 9,84 cm (3 7/8 po) doivent être approuvés par les codes locaux et/ou l'autorité compétente.

⚠ AVERTISSEMENT

Pour les installations dépourvues de hotte, prévoyez au minimum un espace de 30" (76,2 cm) entre l'appareil et toute matière inflammable. Il est possible d'installer une hotte spéciale à proximité d'éléments horizontaux inflammables dans la mesure où celle-ci dispose d'une fonction de mise en marche automatique. Pour obtenir les spécifications d'espace pour d'autres installations pourvues d'une hotte, veuillez vous reporter aux instructions fournies avec celle-ci.

Les dégagements de moins de 11,11 cm (4 3/8 po) entre la découpe et le mur arrière requièrent que la surface de l'ensemble du mur arrière au-dessus de la table de cuisson et sous la hotte soit recouverte d'un matériau non combustible. Ce matériau doit être un carton fort ininflammable d'au moins 6,4 mm (0,25 po) d'épaisseur recouvert d'une tôle de calibre no 28 MSG d'au moins 0,38 mm (0,015 po) d'épaisseur, d'acier inoxydable de 0,38 mm (0,015 po) d'épaisseur, d'aluminium de 0,64 mm (0,025 po) d'épaisseur, ou de cuivre de 0,5 mm (0,020 po) d'épaisseur.

⚠ ATTENTION

Afin d'éviter que les courants d'air ne gênent le fonctionnement du brûleur, scellez toutes les ouvertures dans le plancher sous l'appareil et derrière la paroi de celui-ci.

ESPACES SUPPLÉMENTAIRES :

Prévoyez un espace minimum de 30 cm (12") par rapport au mur adjacent sur chaque côté.

Les espaces de transit autour de la table de cuisson doivent être séparés par un espace d'au moins 45,7 cm (18") entre le plan de travail et le bas du placard mural.

REMARQUE : Laissez un dégagement vertical minimum de 1,1 cm (7/16 po) entre le dessus de la table de cuisson (ou une profondeur minimum de 11,6 cm (4 9/16 po) et toute surface combustible, par exemple un tiroir d'armoire.

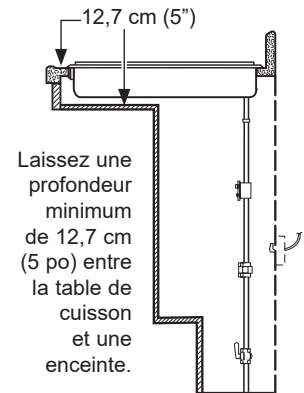
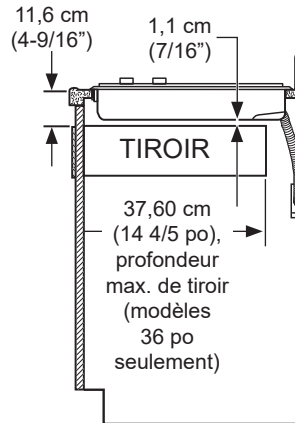
Pour l'installation de l'îlot, gardez un minimum de 3,81 cm (1 1/2 po) entre la découpe et le devant, et un minimum de 6,35 (2 1/2 po) entre la découpe et le bord arrière du comptoir. Garder un espace de 7,6 cm (3 po) minimum sur les côtés du comptoir.

Caractéristiques

DIMENSIONS DU PRODUIT ET ESPACES DE SÉPARATION POUR LES MODÈLES DE 30" (76,2 CM) et 36" (91,4 CM)

Installation pour personne handicapée seulement
(É.-U. : Disabilities Act Forward Approach) :

REMARQUE : L'enceinte doit être construite en bois. Aussi, un panneau d'accès est nécessaire pour la prise électrique, le régulateur de pression, le robinet de sectionnement, les supports de retenue et l'entretien ou les réparations.



Options d'installation

INSTALLATION D'UNE TABLE DE CUISSON AVEC LE SYSTÈME DE VENTILATION PAR ASPIRATION DESCENDANTE MONOGRAM

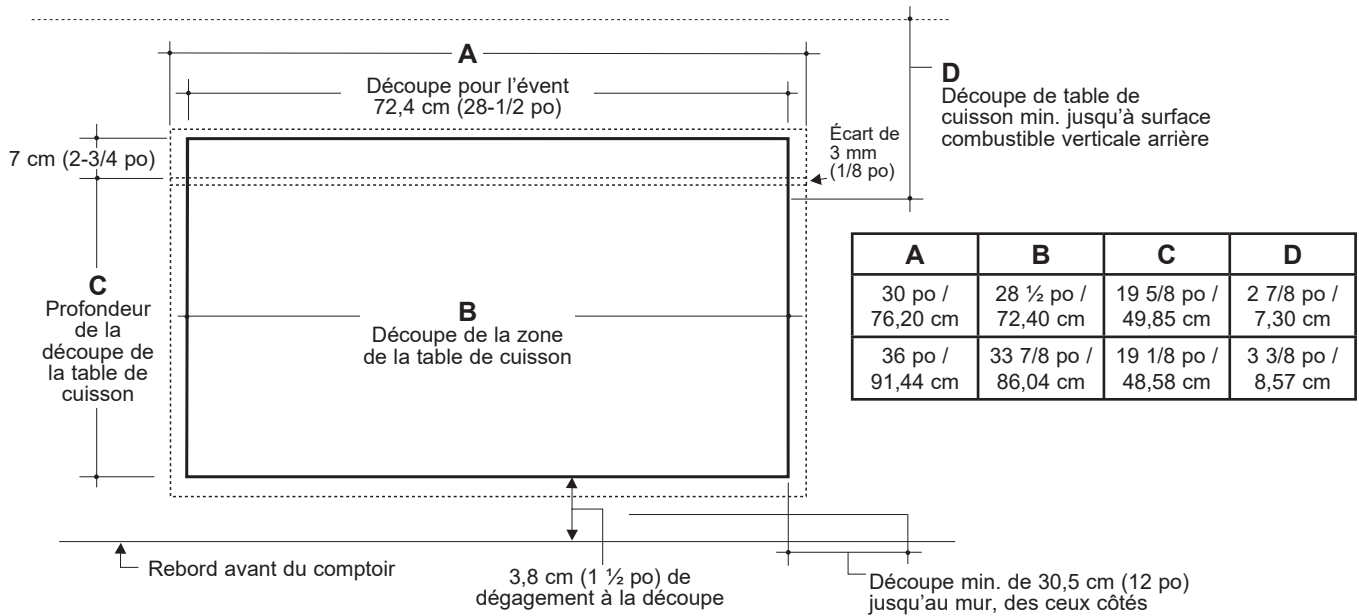
(Voir le site Monogram.com pour les installations combinées approuvées)

Un grand nombre de facteurs sont à considérer si vous choisissez d'installer un évent à courant descendant pour cette surface de cuisson. L'installation tant de la surface à cuisson que de l'évent doit se faire selon des instructions spécifiques du fabricant.

SURFACE DE CUISSON—SPÉCIFICATIONS D'INSTALLATION

Le comptoir à recevoir la surface de cuisson et l'évent doit être plat et profond. Les comptoirs munis d'un dossier et d'un rebord arrondi ne conviennent pas.

- Examinez l'illustration pour déterminer quel comptoir convient le mieux.
 - Veillez à bien respecter toutes les mesures indiquant les dimensions de découpe.



ARMOIRE SUR PLANCHER—SPÉCIFICATIONS

L'installation de la surface de cuisson et de l'évent convient à une armoire sur plancher standard d'une profondeur de 61 cm (24 po). Utilisez une armoire sur plancher d'une largeur d'au moins 76,2 cm (30 po).

- Le boîtier de l'évent, le souffleur et la tuyauterie rempliront l'armoire sur plancher.

BLOC D'ALIMENTATION

Si les codes de votre localité le permettent, tant la surface de cuisson que l'évent peuvent être branchés sur une seule prise double de 120 volts et de 15 ampères. Repérez l'arrivée de gaz et l'alimentation électrique ainsi qu'il est illustré à la page 8.

Options d'installation

INSTALLATION DE LA SURFACE DE CUISSON AU-DESSUS D'UN TIROIR CHAUFFE-PLATS MONOGRAM

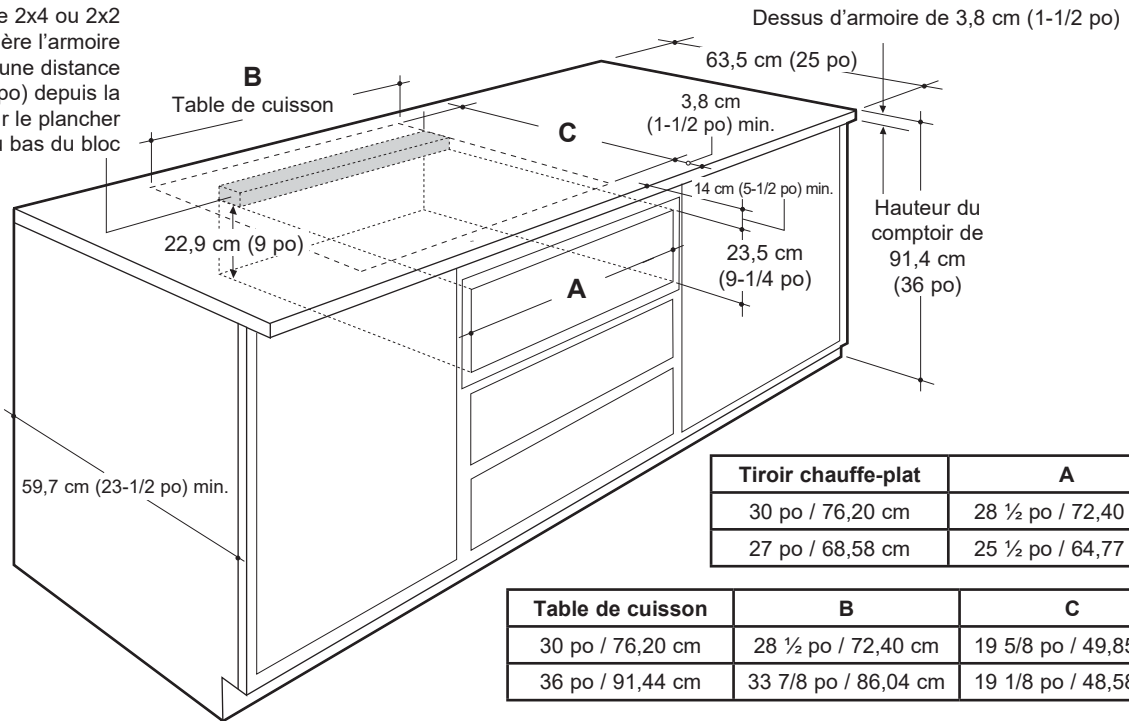
(Voir le site Monogram.com pour les installations combinées approuvées)

Ce type de surface de cuisson s'installe au-dessus d'un tiroir chauffe-plats de 76 ou 68,6 cm (30 ou 27 po). Tant la surface de cuisson que le tiroir sont à installer selon les instructions spécifiques du fabricant.

BLOC D'ALIMENTATION :

Si les codes de votre localité le permettent, tant la surface de cuisson que le tiroir chauffe-plats peuvent être branchés sur une seule prise double de 120 volts et de 15 ampères.

Installez le bloc antibasculement de 2x4 ou 2x2 contre le mur derrière l'armoire de cuisine à une distance de 22,9 cm (9 po) depuis la découpe pour le plancher jusqu'au bas du bloc



REMARQUE : lorsque vous installez un tiroir chauffe-plats Monogram en dessous d'une surface de cuisson, veillez à installer une barrière thermique solide d'au moins 2,54 cm (1 po) depuis le point le plus bas du fond du boîtier des brûleurs jusqu'au haut de la découpe. Pour plus de détails, reportez-vous aux instructions d'installation du tiroir chauffe-plats.

Utilisez une armoire sur plancher d'une largeur d'au moins 76,2 cm (30 po).

- Lors des travaux d'installation, prévoyez avec soin l'emplacement de l'arrivée de gaz pour éviter toute interférence avec le tiroir chauffe-plats.

Options d'installation

INSTALLATION DE LA SURFACE DE CUISSON AU-DESSUS D'UN FOUR SIMPLE MONOGRAM DE 68,6 CM (27 PO) OU 76 CM (30 PO)

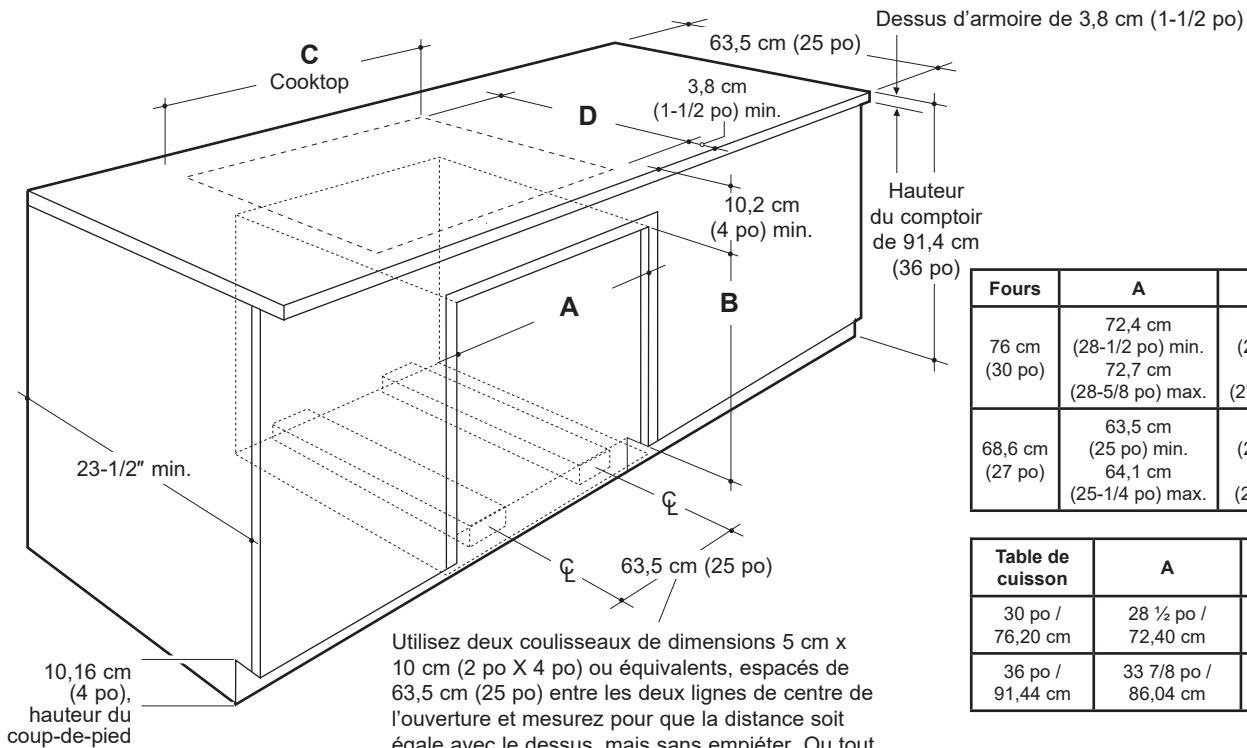
(Voir le site Monogram.com pour les installations combinées approuvées)

Ces tables de cuisson peuvent s'installer au-dessus du four simple Monogram. La table de cuisson et le four combinés doivent être installés selon les instructions d'installation propres à chacun.

- Laissez un espace minimal de 10,1 cm (4 po) entre le dessus du comptoir et le dessus de l'orifice nécessaire pour le four.

BLOC D'ALIMENTATION

Le four nécessite un bloc d'alimentation séparé et bien polarisé à 20 Amp, 3-wir 208 ou 240 volt, 60 Hz. La surface de cuisson à besoin d'un bloc d'alimentation supplémentaire de 120 V. Une valve de sécurité permettant de couper l'alimentation au gaz peut être installée dans un cabinet adjacent ou dans un endroit facilement accessible si le code le permet.



Fours	A	B
76 cm (30 po)	72,4 cm (28-1/2 po) min. 72,7 cm (28-5/8 po) max.	69,2 cm (27-1/4 po) min. 69,4 cm (27-5/16 po) max.
68,6 cm (27 po)	63,5 cm (25 po) min. 64,1 cm (25-1/4 po) max.	70,2 cm (27-5/8 po) min. 71,4 cm (28-1/8 po) max.

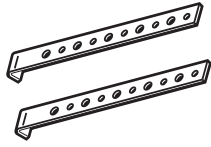
Table de cuisson	A	B
30 po / 76,20 cm	28 1/2 po / 72,40 cm	19 5/8 po / 49,85 cm
36 po / 91,44 cm	33 7/8 po / 86,04 cm	19 1/8 po / 48,58 cm

Utilisez une armoire sur plancher d'une largeur d'au moins 76,2 cm (30 po).

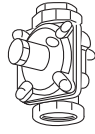
- Pour une question d'apparence, la surface de cuisson devrait être centrée au-dessus du four.

Installation

MATÉRIEL FOURNI



2 Bande de fixation

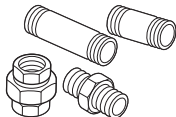


Régulateur

MATÉRIEL NÉCESSAIRE (non fourni)



Pâte d'étanchéité pour raccords filetés



Raccords de tuyau



Clapet de fermeture



Tuyau métallique flexible d'alimentation de gaz agréé CSA de 1,58 cm de diamètre et d'une longueur maximale de 1,5 m (5 pieds)

REMARQUE : procurez-vous un tuyau flexible neuf, n'utilisez pas un tuyau ayant déjà été utilisé.

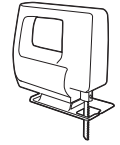
OUTILS NÉCESSAIRES



Tournevis à tête cruciforme



Clé ouverte ou réglable



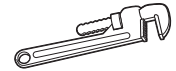
Scie sauteuse



Tournevis à lame plate



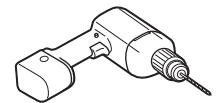
Crayon et règle



Clés à tube (2) (une de réserve)



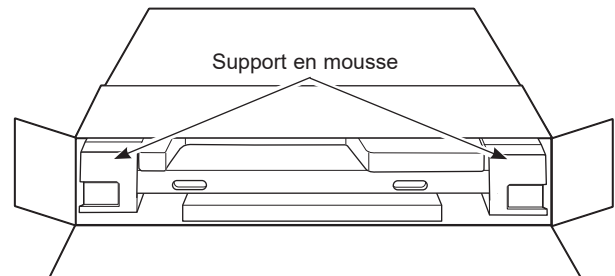
Lunettes protectrices



Foret 1/8 po et perceuse électrique ou manuelle

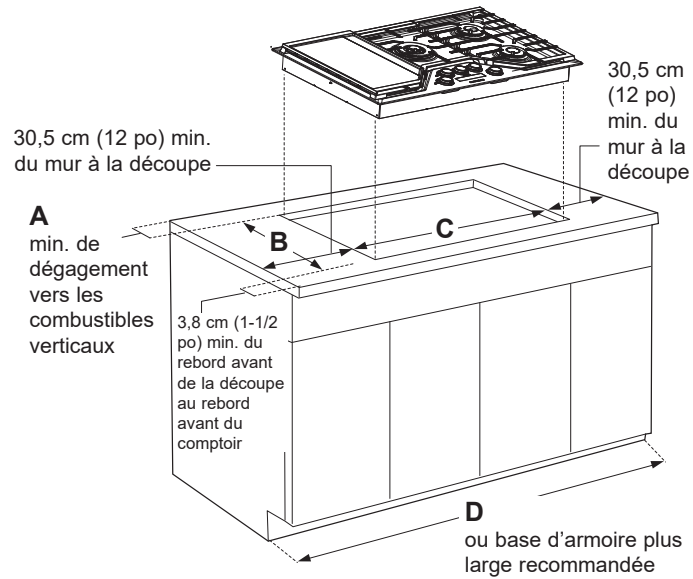
1 SORTEZ L'APPAREIL DE SON EMBALLAGE

- Retirez le ruban et la mousse. Mettez les matériaux d'emballage au rebut selon les normes locales.
- Glissez la surface de cuisson hors de la boîte. Retirez les matériaux d'emballage, boîtes des grilles, le régulateur et la documentation avant de débiter l'installation.
- Utilisez le carton d'expédition comme coussinet de protection pour les comptoirs ou le revêtement de plancher.



Installation

2 COUPEZ L'OUVERTURE DU PLAN DE TRAVAIL



Utilisez une armoire de base de 76,2 cm (30 po) de largeur ou plus.

- Découpez l'ouverture dans le comptoir. Pour assurer l'exactitude, il est indiqué de faire un gabarit d'ouverture. Assurez-vous que les côtés de l'ouverture sont parallèles et que les découpes avant et arrière sont exactement perpendiculaires aux côtés.
- Observez tous les dégagements minimums.

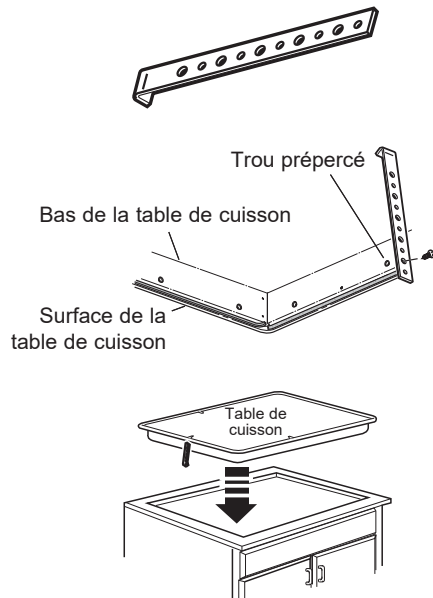
Dimensions				
	A	B	C	D
Table de cuisson de 30 po	2-7/8" (7,3 cm)	19-5/8" (49,8 cm)	28-1/2" (54,61 cm)	30" (76,2 cm)
Table de cuisson de 36 po	3-3/8" (8,5 cm)	19-1/8" (48,5 cm)	33-7/8" (86 cm)	36" (91,4 cm)

Installation

3 INSTALLATION DE LA TABLE DE CUISSON

- A. Repérez la sortie électrique et le robinet de sectionnement du gaz en-dessous de l'armoire.
- B. Placez la table de cuisson à l'envers sur le comptoir recouvert d'une serviette ou d'une nappe
- C. Repérez et retirez les ferrures de retenue du sac de l'emballage de la documentation.
- D. Fixez les ferrures sur la table de cuisson. Retirez la vis sur le côté de la table de cuisson et vissez la ferrure de retenue sur le côté de la table de cuisson. Répétez de l'autre côté de la table de cuisson.
- E. Insérez la table de cuisson en la centrant dans la découpe. Assurez-vous que le bord avant du comptoir est parallèle à la table de cuisson. Effectuez une vérification finale pour vous assurer que tous les dégagements requis sont respectés.

Une fois l'appareil en place, vissez la ferrure de retenue dans les côtés de l'armoire pour bien fixer la table de cuisson.



4 CONVERSION AU PROPANE (LP) OU AU GAZ NATUREL

Le régulateur de pression et les orifices du brûleur sont réglés pour l'utilisation du gaz naturel en usine. Pour faire fonctionner cette table de cuisson au propane (LP), le régulateur et les orifices de brûleur doivent être convertis. Cette conversion doit être faite par un installateur pour propane (LP) qualifié.

Conservez ces instructions et tous les orifices dans l'éventualité d'un retour au gaz naturel.

Installation

5 ALIMENTATION EN GAZ

⚠ AVERTISSEMENT Risque d'incendie : N'utilisez pas une flamme pour détecter les fuites de gaz.

⚠ AVERTISSEMENT Risque d'explosion : Le couple de serrage des raccordements à la conduite de gaz ne doit pas excéder 25 lb-pi. Un serrage trop élevé peut endommager le régulateur de pression et poser un risque d'incendie ou d'explosion.

Régulateur de pression du gaz

Vous devez utiliser le régulateur de pression fourni avec cette table de cuisson. Pour un bon fonctionnement, la pression d'admission de gaz au régulateur doit présenter les valeurs suivantes :

Gaz naturel :

Pression minimale : 6 podes colonne d'eau

Pression maximale : 13 podes colonne d'eau

Propane (LP) :

Pression minimale : 11 podes colonne d'eau

Pression maximale : 13 podes colo3nne d'eau

Si vous doutez de connaître la pression d'admission de gaz, communiquez avec votre fournisseur de gaz local.

Fermez la soupape d'alimentation en gaz principale avant de débrancher la table de cuisson en place et laissez-la fermer tant que le raccordement de la nouvelle table de cuisson n'est pas fait. N'oubliez pas de rallumer la veilleuse du nouveau dispositif lors du rétablissement du gaz.

Parce que la tuyauterie rigide restreint la mise en place de la table de cuisson, l'utilisation d'un raccord métallique flexible certifié par CSA International est recommandé sauf si les codes locaux exigent un raccordement par tuyauterie rigide.

Si vous utilisez la méthode de raccordement à une tuyauterie rigide, alignez soigneusement le tuyau parce que vous ne pourrez plus déplacer la table de cuisson une fois le raccordement fait.

Pour éviter les fuites de gaz, appliquez un scellant pour filets de tuyau ou enveloppez les filets avec un ruban de Téflon* sur les filets du tuyau mâle (à l'extérieur).

- Installez le régulateur de pression fourni directement sur l'entrée du tuyau de gaz de la table de cuisson. Respectez la flèche indiquant le sens du débit de gaz à l'arrière du régulateur. Assurez-vous que le devant du régulateur soit dirigé vers le devant de l'armoire et facilement accessible par les portes de l'armoire.
- Installez le robinet de sectionnement manuel à la conduite de gaz et à un endroit facilement accessible par les portes de l'armoire.
- Lorsque tous les raccordements sont terminés, assurez-vous que les commandes de gaz sont en position fermée sur la soupape d'alimentation de gaz principale. Utilisez un détecteur de fuite liquide sur tous les joints et raccords pour détecter toutes fuites possibles.

*Teflon : Marque déposée de DuPont.

5 ALIMENTATION EN GAZ (suite)

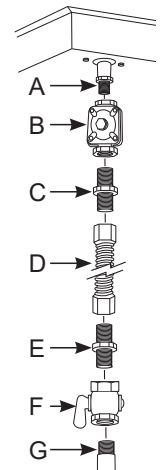
Lorsqu'une pression supérieure à ½ psi de l'essai en pression du système d'alimentation en gaz du domicile est nécessaire, débranchez la table de cuisson et le robinet de sectionnement individuel de la tuyauterie d'alimentation de gaz. Lorsqu'une pression de ½ psi ou moins de l'essai en pression du système d'alimentation en gaz est nécessaire, isolez simplement la table de cuisson du système d'alimentation en gaz en fermant le robinet de sectionnement individuel.

Lors de la vérification du bon fonctionnement du régulateur, la pression d'admission doit être supérieure d'au moins 1 po par rapport à la pression de service (collecteur) indiquée sur l'étiquette signalétique du produit.

INSTALLATION DU CONNECTEUR

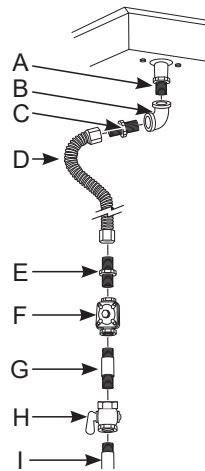
INSTALLATION TYPIQUE SANS OBSTRUCTION SOUS LA TABLE DE CUISSON

- Raccord d'adaptation fileté 3/8 po NPT x 3/8 po NPT (certains modèles)
- Régulateur fourni avec la table de cuisson :
 - Sortie - tuyau à filetage femelle de 0,95 cm (3/8 po) femelle NPT
 - Entrée - tuyau à filetage femelle de 1,3 cm (1/2 po) NPT
- Adaptateur
- Connecteur flexible
- Adaptateur
- Robinet de sectionnement manuel
- Tuyau de gaz de 1,3 ou 1,9 cm (1/2 ou 3/4 po)



INSTALLATION ALTERNATIVE SI OBSTRUCTION SOUS LA TABLE DE CUISSON

- Raccord d'adaptation fileté 3/8 po NPT x 3/8 po NPT (certains modèles)
- Coude
- Adaptateur
- Connecteur flexible (permet le passage dans la paroi de l'armoire)
- Adaptateur
- Régulateur fourni avec la table de cuisson :
 - Sortie - tuyau à filetage femelle de 0,95 cm (3/8 po) femelle NPT
 - Entrée - tuyau à filetage femelle de 1,3 cm (1/2 po) NPT
- Tuyau de gaz
- Robinet de sectionnement manuel
- Tuyau de gaz de 1,3 ou 1,9 cm (1/2 ou 3/4 po)



Installation

6 BRANCHEMENTS ÉLECTRIQUES

⚠ AVERTISSEMENT

Risque de décharge électrique : Cet appareil doit être mis à la terre correctement. L'omission de procéder ainsi peut occasionner une décharge électrique.

Exigences électriques - 120-volts, 60 hertz, circuit dédié correctement mis à la terre par un disjoncteur de 15 ou 20 ampères ou un fusible temporisé.

REMARQUE : Pour ce produit, il est recommandé d'utiliser des interrupteurs extérieurs câblés, sans fil ou automatiques qui coupent le courant à l'appareil.

Mise à la terre

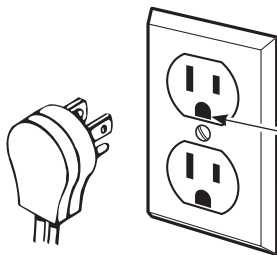
Le cordon électrique de cet appareil est muni d'une fiche à trois broches (avec terre) qui s'insère dans une prise murale à trois fentes standard afin de minimiser le risque de décharge électrique de cet appareil.

Le client devrait faire inspecter la prise murale et le circuit par un électricien agréé pour s'assurer que la prise est correctement mise à la terre.

Si la prise murale disponible est à deux fentes seulement, le client a la responsabilité et l'obligation de la remplacer par une prise murale à trois broches correctement mise à la terre.

EN AUCUNE CIRCONSTANCE VOUS NE DEVEZ COUPER OU ENLEVER LA TROISIÈME BROCHE (TERRE) DE LA FICHE DU CORDON ÉLECTRIQUE. N'UTILISEZ PAS UN ADAPTATEUR. N'UTILISEZ PAS UN CORDON DE RALLONGE.

Des disjoncteurs de fuite à la terre (DDFT) ne sont pas requis ou recommandés pour les prises de tables de cuisson au gaz. La performance de la table de cuisson ne sera pas altérée si cette dernière fonctionne sur un circuit équipé d'un disjoncteur de fuite à la terre, mais le disjoncteur peut se déclencher occasionnellement.



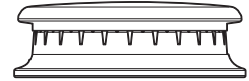
S'assurer d'une mise à la terre correcte avant l'utilisation

7 VÉRIFIEZ LES BRÛLEURS

⚠ AVERTISSEMENT

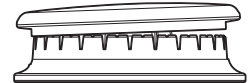
Risque d'incendie ou d'explosion : Ne faites pas fonctionner le brûleur sans que toutes ses pièces ne soient en place.

A. **Brûleur** - Placez les brûleurs de surface dans les positions correspondantes sur la table de cuisson.



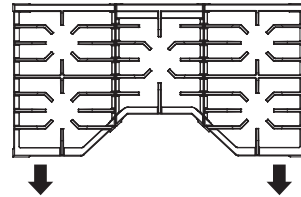
Chapeau de brûleur incorrectement installé

B. **Chapeaux** - Placez les chapeaux sur les brûleurs de taille appropriée.



Chapeau de brûleur correctement installé

C. **Grilles** - Les grilles gauche et droite sont interchangeables. Placez les grilles sur la table de cuisson. Placez les deux grilles de côté de façon à former une « ligne » continue avec les nervures des deux grilles. Assurez-vous que les deux grilles sont stables et de niveau.



8 VÉRIFICATION DES BRÛLEURS DE SURFACE

Poussez et tournez un bouton jusqu'à la position LITE. Un clic indique le bon fonctionnement du système d'allumage. Lors de l'allumage d'un brûleur, des étincelles apparaîtront dans tous les brûleurs mais le gaz alimentera uniquement celui qui est sélectionné. Une fois l'air purgé de la conduite d'alimentation, le brûleur devrait s'allumer sous 4 secondes. Une fois le brûleur allumé, tournez le bouton à l'écart de la position LITE. Essayez chaque brûleur successivement jusqu'à ce que tous les brûleurs soient vérifiés.

Qualité des flammes

Déterminez la qualité des flammes visuellement. Des flammes de brûleur normales devraient ressembler à (A) ou (B).



(A) Flammes d'un bleu doux — Normal pour le gaz naturel



(B) Extrémités jaunes sur les cônes extérieurs — Normal pour le propane (LP)

Des flammes longues d'un jaune vif ne sont pas normales. Des flammes normales peuvent présenter une touche d'orange lorsque bien chauffées ou des signes de vacillement orange causé par des particules dans le gaz ou l'air.

Installation

UNE FOIS TOUS LES RACCORDEMENTS TERMINÉS

Vérifiez que tout le ruban et matériel d'emballage ont été retirés. Cela comprend le ruban sur le panneau métallique sous les boutons de commande (le cas échéant), le ruban adhésif, les attaches de câble, le carton et le plastique de protection. L'omission de retirer ce matériel peut causer des dommages à l'appareil une fois celui-ci allumé et ses surfaces chauffées.

TERMINEZ L'INSTALLATION

Placez les grilles des brûleurs sur les brûleurs. Les grilles doivent être posées et ne devraient pas bouger.

LISTE DE VÉRIFICATION POUR L'INSTALLATION

- Veillez à ce que les boutons de commande soient sur OFF.
- Assurez-vous que le débit de combustion et que la circulation d'air de la table de cuisson sont libres de toutes obstructions.
- **Revérifiez les étapes :**
Procédez à une nouvelle vérification afin de vous assurer que les consignes figurant dans ce manuel ont été respectées. Répétez la vérification des étapes pour vous assurer que la table de cuisson est sécuritaire.

REMARQUE : La plaque signalétique est située au bas de la table de cuisson. Les numéros de modèle et de série se trouvent derrière le bouton gauche et ils sont visibles lorsque ce bouton est enlevé.

Instructions d'installation

Conversion au propane (LP) ou au gaz naturel

⚠ AVERTISSEMENT Risque d'explosion

La mort ou des blessures graves peuvent résulter de l'omission d'observer ces instructions.

- Seul un technicien qualifié doit effectuer les réparations.
- Coupez l'alimentation en gaz et électrique avant de procéder à une réparation.
- Reconnectez tous les dispositifs de mise à la terre après une réparation.
- Remplacez toutes les pièces et les panneaux avant l'utilisation.

Le régulateur de pression et les orifices du brûleur sont réglés pour l'utilisation du gaz naturel en usine. Pour faire fonctionner cette table de cuisson au propane (LP), le régulateur et les orifices de brûleur doivent être convertis. Cette conversion doit être faite comme suit :

⚠ AVERTISSEMENT N'utilisez pas cette surface de cuisson avant d'avoir effectué la conversion des orifices de brûleur au gaz. L'omission de procéder ainsi peut engendrer des flammes hautes et des vapeurs toxiques pouvant causer des blessures graves.

OUTILS DONT VOUS AUREZ BESOIN POUR LA CONVERSION



Lunettes protectrices



Clé à molette



Tournevis à douille 7 mm et 1/4"



Petites pinces



Petit tournevis à tête plate (pointe de 2 à 2,4 mm ou 3/32", 60 mm de longueur)

1 CONVERTIR LE RÉGULATEUR

Débranchez l'électricité sur le disjoncteur ou la boîte à fusible du circuit principal.

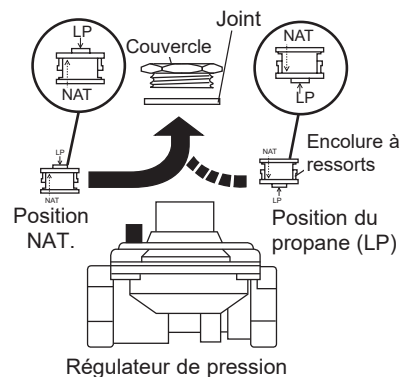
- A. Fermez l'alimentation au gaz vers la surface de cuisson en tournant la manivelle de fermeture de la valve de sécurité.

1 CONVERTIR LE RÉGULATEUR (suite)

- B. Ajustez le régulateur de pression en suivant les directives suivantes :

- Dévissez le couvercle.
- Vérifiez pour localiser les positions à l'intérieur de l'encolure à ressorts du NAT (gaz naturel) ou du propane (LP).

- Tournez l'étrier de ressorts de 90 degrés, retirez-le du capuchon réinsérez-le dans le capuchon, puis tournez-le de 90 degrés en position.



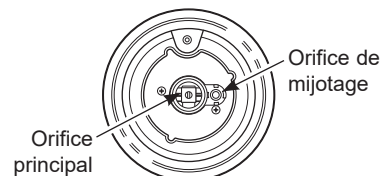
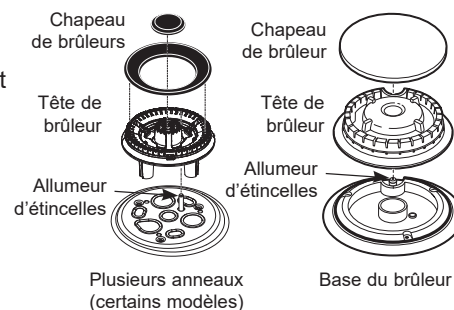
- Revissez le capuchon sur le régulateur et serrez.

2 CHANGEZ LES ORIFICES DU BRÛLEUR

CONSEIL D'INSTALLATION : Commencez par retirer tous Orifices, puis remplacez-les. Vous éviterez ainsi tout oubli.

- A. Retirez les grilles du brûleur, les chapeaux et les têtes.

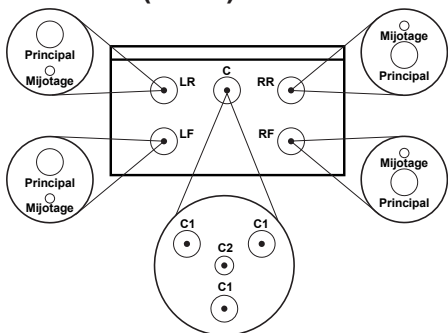
- B. Desserrez les orifices du brûleur du haut à l'aide d'un tournevis à douille 7 mm. Utilisez de petites pinces pour soulever les orifices délicatement.



L'orifice principal est situé assez bas au centre du brûleur, tandis que l'orifice de mijotage est placé plus haut dans le centre du brûleur.

Consignes d'installation pour la conversion de gaz

2 CHANGER LES ORIFICES DU BRÛLEUR (suite)



- A. Enlevez les orifices de propane (LP) des supports fixés au régulateur. La surface supérieure et latérale des orifices est gravée pour identification. Reportez-vous au tableau et à l'illustration pour déterminer l'emplacement des orifices au propane (LP).
- B. À l'aide d'un tournevis à douille 7 mm ou 9/32 po, installez les orifices au propane (LP) à leurs emplacements précis.
Afin de prévenir les fuites, assurez-vous que les orifices sont vissés fermement dans les injecteurs de gaz.
- C. Installez les anciens orifices dans le support métallique avec les présentes instructions, et remplacez le tout sur le régulateur en vue d'une possible conversion.
- D. Remplacez les têtes de brûleur, les chapeaux et les grilles supérieures.



108 - Désigne un diamètre d'orifice de 1,08 mm
XL - Désigne le gaz propane (LP)



95 - Désigne un diamètre d'orifice de 0,95 mm
L - Denotes LP (Propane)

PUISSANCE CALORIFIQUE DES BRÛLEURS : BTU/H

Gaz propane (LP) 10 po de colonne d'eau

BRÛLEUR	TAUX BTU	DIA. ORIFICE (mm)	MARQUAGE
LF	10,000		
Principal	N/A	0.88	88XL
Mijotage	N/A	0.34	34SL
LR	10,000		
Principal	N/A	0.88	88XL
Mijotage	N/A	0.34	34SL
C	18,000		
C1	N/A	0.686	69L
C1	N/A	0.686	69L
C1	N/A	0.686	69L
C2	N/A	0.41	41L
RR	10,000		
Principal	N/A	0.88	88XL
Mijotage	N/A	0.34	34SL
RF	12,000		
Principal	N/A	0.97	97XL
Mijotage	N/A	0.34	34SL

3 VÉRIFICATION DES BRÛLEURS DE SURFACE

Poussez et tournez un bouton à la position LITE (allumage). Un son de clic signale le bon fonctionnement du système d'allumage. L'allumage de n'importe quel brûleur génère des étincelles à tous les brûleurs mais le gaz débouchera seulement de celui qui est sélectionné. Une fois l'air purgé de la conduite d'alimentation, le brûleur devrait s'allumer en moins de 4 secondes. Une fois le brûleur allumé, tournez le bouton hors de la position LITE. Faites l'essai de chaque brûleur successivement jusqu'à ce qu'ils soient tous vérifiés.

Qualité des flammes

Déterminez la qualité des flammes visuellement. Des flammes de brûleur normales doivent ressembler à (A) ou (B).



(A) Flammes bleu clair —
Normal pour le gaz naturel



(B) Pointes jaunes sur les cônes extérieurs —
Normal pour le gaz propane (LP)

Des flammes vives et longues ne sont pas normales. Des flammes normales peuvent présenter des signes d'une teinte orange lorsqu'elles sont bien chauffées ou des signes d'un vacillement orange en raison de particules dans le gaz ou l'air.

Consignes d'installation pour la conversion de gaz

4 RÉGLAGE DE FLAMME BASSE SUR LES BRÛLEURS DE LA TABLE DE CUISSON

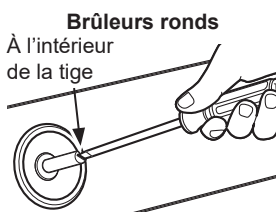
Cette procédure permet de régler la flamme basse de l'anneau supérieur de flammes sur chacun des 4 brûleurs à deux niveaux. L'anneau de flammes inférieur n'est pas réglable.

Des réglages de flamme basse sont possibles sur 2 autres brûleurs allumés à l'intensité de chaleur moyenne. Cette procédure empêche la flamme basse d'être trop faible, ce qui risquerait de l'éteindre lorsque les autres brûleurs sont allumés.

A. Allumez les brûleurs de surface à l'intensité de chaleur moyenne.

B. Tournez le bouton du brûleur à régler à la position LO (bas).

C. Retirez le bouton et insérez un petit tournevis à lame plate dans la tige de robinet comme illustré. Tournez dans le sens contraire des aiguilles aussi loin que possible tout en maintenant une flamme stable. Répétez pour tous les robinets.



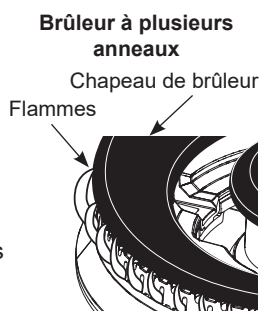
Brûleurs ronds
À l'intérieur de la tige
Vis de réglage centrale pour tous les brûleurs à l'exception du brûleur à plusieurs anneaux.

D. Si la flamme apparaît trop faible ou instable, tournez lentement la vis de réglage dans le sens des aiguilles jusqu'à obtenir une flamme stable sur chaque brûleur.

E. De plus, pour chaque brûleur à régler, ouvrez et fermez rapidement les portes d'armoire tout en observant la flamme. Si la flamme s'éteint, tournez la vis de réglage dans le sens des aiguilles pour obtenir une flamme plus forte. Répétez les ouvertures de porte jusqu'à obtenir une flamme stable.

Brûleur à plusieurs anneaux (certains modèles)

■ Allumez le brûleur à l'intensité moyenne (MED) pour régler l'anneau extérieur. Tournez la vis de réglage de l'anneau extérieur (au centre de la tige de robinet) dans le sens contraire des aiguilles de façon que les flammes de l'anneau extérieur se courbent tout juste au-dessus du bord supérieur du chapeau de brûleur.



■ Allumez le brûleur à l'intensité de mijotage (SIM) pour régler l'anneau central. Tournez dans le sens contraire des aiguilles aussi loin que possible tout en maintenant une flamme stable.

Brûleur à plusieurs anneaux
Chapeau de brûleur
Flammes
Vis de réglage pour l'anneau extérieur

■ Ouvrez et fermez rapidement les portes d'armoire tout en observant la flamme. Si la flamme s'éteint, tournez la vis de réglage dans le sens des aiguilles pour obtenir une flamme plus forte. Répétez les ouvertures de porte jusqu'à obtenir une flamme stable.



Vis de réglage pour l'anneau central

REMARQUE SPÉCIALE :

Pour reconvertir la table de cuisson au gaz naturel, inversez les instructions fournies pour les réglages du propane (LP).

AVIS :

Une fois la conversion terminée et validée, remplissez l'étiquette collante pour le propane (LP) et inscrivez votre nom, votre organisation et la date à laquelle la conversion a été effectuée. Apposez l'étiquette collante sur la table de cuisson près du régulateur pour signaler aux utilisateurs ultérieurs que cet électroménager a été converti au propane (LP). Si vous procédez à une reconversion au gaz naturel depuis le propane (LP), veuillez enlever l'étiquette collante afin que les utilisateurs sachent que l'électroménager est configuré pour le gaz naturel.

RENSEIGNEMENTS SUPPLÉMENTAIRES

PUISSANCE CALORIFIQUE DES BRÛLEURS : BTU/H			
Gaz nature (NG) 5 po de colonne d'eau			
BRÛLEUR	TAUX BTU	DIA. ORIFICE (mm)	MARQUAGE
LF	10,000		
Principal	N/A	1.28	128XN
Mijotage	N/A	0.51	51SN
LR	10,000		
Principal	N/A	1.28	128XN
Mijotage	N/A	0.51	51SN
C	20,000		
C1	N/A	1.1	110N
C1	N/A	1.1	110N
C1	N/A	1.1	110N
C2	N/A	0.63	63N
RR	10,000		
Principal	N/A	1.28	128XN
Mijotage	N/A	0.51	51SN
RF	12,000		
Principal	N/A	1.45	145XN
Mijotage	N/A	0.51	51SN



190 - Désigne un diamètre d'orifice de 1,90 mm
XN - Désigne le gaz naturel



198 - Désigne un diamètre d'orifice de 1,98 mm
N - Désigne le gaz naturel

REMARQUE : Il est recommandé de porter des lunettes de sécurité ou des lunettes étanches lors de l'installation de cet appareil.

REMARQUE : Au sein de Monogram, nous efforçons toujours d'améliorer nos produits. Ainsi, les matériaux, l'aspect et les spécifications peuvent être modifiés sans préavis.

INSTRUCCIONES DE INSTALACIÓN

Superficies de Cocción a Gas de
Acero Inoxidable de 30" y 36"

ELEVATE EVERYTHING

MONOGRAM

Información de Seguridad

¿Preguntas? Llame a Monogram al 800.444.1845 o visite monogram.com
En Canadá llame al 899.561.3344 o visite monogram.ca

EN EL COMMONWEALTH DE MASSACHUSETTS

- Este producto debe ser instalado por un plomero licenciado o un mecánico gasista.
- Al usar un conector de gas flexible no deberá exceder los 5 pies.
- Al usar válvulas de cierre de gas tipo balón, deberán ser del tipo de manija T.

⚠ ADVERTENCIA RIESGO DE INCENDIO O EXPLOSIÓN

Si la información de este manual no se sigue exactamente, se podrá producir un incendio o explosión, ocasionando daños sobre la propiedad, lesiones o la muerte.

La instalación deberán ser realizadas por un instalador calificado.

Lea estas instrucciones en su totalidad y atentamente.

La instalación de esta superficie de cocción debe ser realizada de acuerdo con los códigos locales, o en la ausencia de códigos locales, con el Código de Gas Combustible Nacional, ANSI Z223.1/NFPA.54, última edición. En Canadá, la instalación deberá ser conforme con el Código de Instalación de Gas Natural actual, CAN/CGA-B149.1 o el Código de Instalación de Propano (LP) actual, CAN/CGA-B149.2, y con los códigos locales cuando corresponda. Este producto fue diseñado y certificado por UL, de acuerdo con la última edición de ANSI Z21.1, y con la última edición de CAN/CGA-1.1 de la Canadian Gas Association (Asociación de Gas de Canadá).

Al instalar un electrodoméstico a gas, el uso de conectores flexibles viejos puede ocasionar pérdidas y lesiones personales. Siempre use un conector flexible NUEVO.

La prueba de goteras del electrodoméstico se deberá realizar de acuerdo con las instrucciones del fabricante.

La superficie de cocción deberá estar eléctricamente conectada a tierra de acuerdo con los códigos locales o, en ausencia de códigos locales, de acuerdo con el Código Nacional de Electricidad (National Electric Code), (ANSI/NFPA NO. 70., última edición). En Canadá, la conexión a tierra se deberá realizar de acuerdo con la Parte 1 del Código de Electricidad de Canadá CSA C22.1 y/o los códigos locales. En esta sección, consulte las Conexiones Eléctricas

No instale este producto con una campana con cortina de aire u otra campana de superficies de cocción que funcione llevando aire a la superficie de cocción. El flujo de aire podrá interferir en el funcionamiento de los quemadores de gas, produciendo riesgos de incendio o explosión.

READ AND SAVE THESE INSTRUCTIONS

Información de Seguridad

ANTES DE COMENZAR

Lea estas instrucciones por completo y con detenimiento.

- **IMPORTANTE** — Conserve estas instrucciones para uso del inspector de electricidad local.
- **IMPORTANTE** — Cumpla con todos los códigos y ordenanzas gubernamentales.
- **IMPORTANTE** — Retire todo el material de embalaje y material escrito del electrodoméstico antes de conectar el gas y el suministro de corriente a la superficie de cocción.
- **IMPORTANTE** — A fin de evitar daños en los gabinetes, controle con su constructor o proveedor de gabinetes que los materiales usados no descolorarán, deslaminarán ni sostendrán otro daño. Este electrodoméstico fue diseñado de acuerdo con los requisitos de UL y CSA International y cumple con las temperaturas máximas permitidas para gabinetes de madera de 194°F (90°C).
- **Nota para el Instalador** — Asegúrese de que estas instrucciones queden en manos del comprador.
- **Nota para el Consumidor** — Guarde estas instrucciones para referencia futura.
- **Servicio Técnico** — El diagrama eléctrico está en un sobre dentro de la superficie de cocción.
- La correcta instalación del producto es responsabilidad del instalador.
- Si se producen fallas en el producto debido a una instalación inadecuada, la Garantía no cubrirá las mismas.
- Para servicio técnico local Monogram en su área, 1.800.444.1845.
- Para servicio técnico Monogram en Canadá, llame al 1.800.561.3344.
- Para Piezas y accesorios Monogram, llame al 1.800.626.2002.
- Si la superficie de cocción que recibió está dañada, se deberá comunicar con su vendedor minorista.

CASA RODANTE – REQUISITOS DE INFORMACIÓN ADICIONAL

La instalación de este producto deberá ser realizada de acuerdo con el Estándar de Construcción y Seguridad para Hogar, Título 24 CFR, Pieza 3280 (anteriormente el Estándar Federal para la Construcción y Seguridad de Casas Rodantes (Federal Standard for Mobile Home Construction and Safety), Título 24, HUD Parte 280). Cuando dicho estándar no sea aplicable, use el estándar para las Instalaciones de Casas Fabricadas, ANSI A225, 1/ NFPA 501A o con códigos locales.

En Canadá, la instalación de esta cocina deberá ser realizada de acuerdo con los estándares actuales CAN/CSAA240 – última edición, o con los códigos locales.

Cuando la superficie de cocción sea instalada en una casa móvil, se deberá ajustar de forma segura durante el tránsito. Cualquier método para asegurar la superficie de cocción es adecuado, siempre y cuando se realice conforme con los estándares que figuran más arriba.

SI ESTE PRODUCTO ES PARA SER USADO FUERA DE LOS EE.UU. O CANADÁ

⚠ ADVERTENCIA Si desea utilizar este producto con gas Líquido de Propano (LP) que contiene más de 10% de butano, debe comprar el paquete de conversión para gas butano #WB28X29976. Para pedir, llame al 1.888.664.8403 o 1.787.276.4051. No hacerlo puede provocar un peligro de monóxido de carbono o de incendio.

COMBINACIONES DE CAPUCHAS DE VENTILACIÓN

Se recomienda una campana de ventilación en una posición alta.

READ AND SAVE THESE INSTRUCTIONS

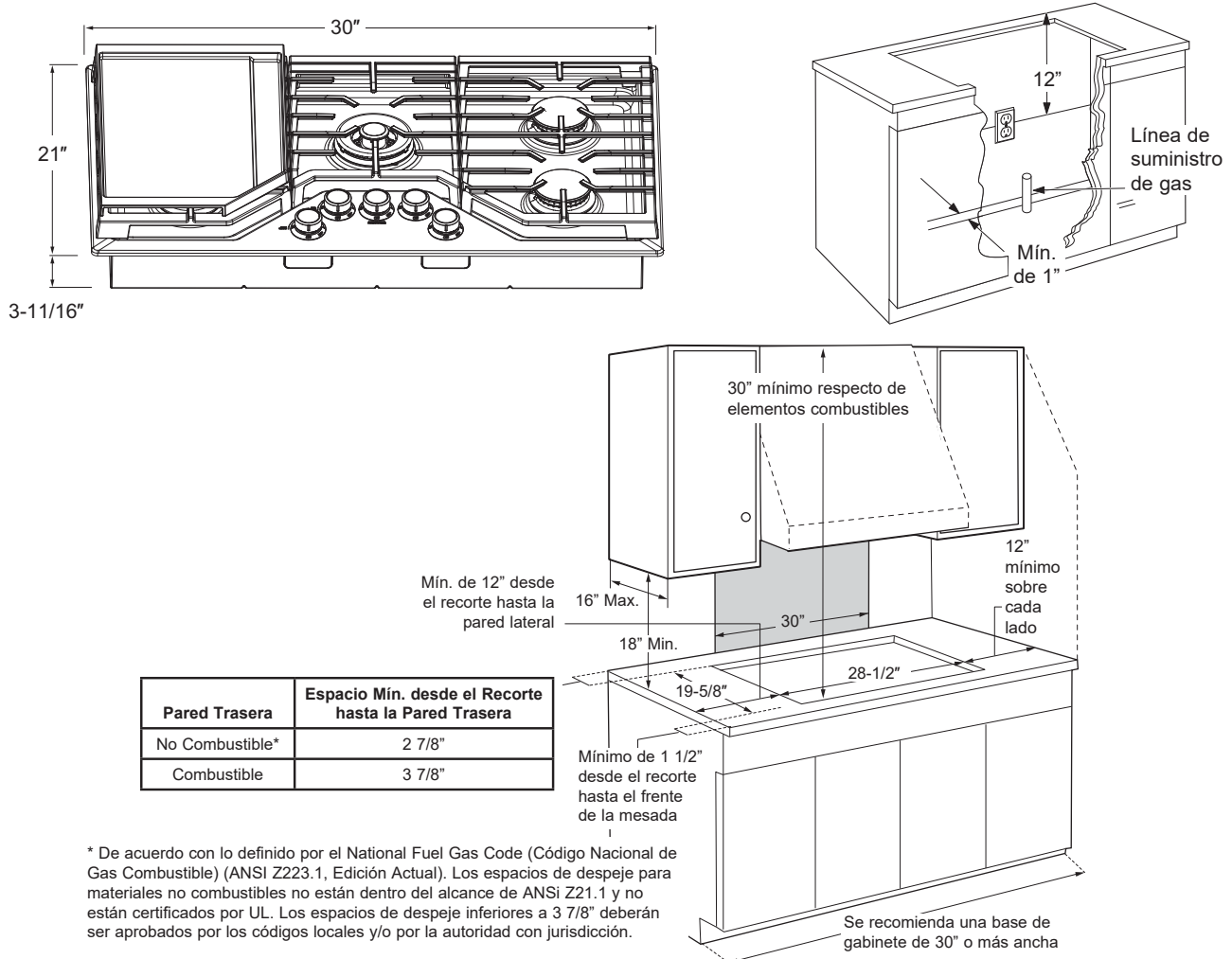
Contenidos

CONTENIDOS

Información de Seguridad	2	Instalación	
Información de diseño		Materiales Provistos	11
Dimensiones y Espacios del Producto Para		Herramientas Requeridas	11
Modelos de 30"	5	Quite El Empaque	11
Dimensiones y Espacios del Producto Para		Corte la Abertura del Mostrador de Encimera	12
Modelos de 36"	6	Instalación de la Superficie de Cocción	13
Dimensiones y Espacios del Producto Para		Conversión a Propano (LP) o a Gas Natural	13
Modelos de 30" y 36"	7	Suministro de Gas	14
Opciones de Instalación		Conexiones eléctricas	15
Instalación de una Superficie de Cocción con Ventilación		Controle los Quemadores	15
Descendente de Monogram	8	Controle las Cabezas de los Quemadores	15
Instalación de una Superficie de Cocción sobre un Cajón		Cuando Todas las Conexiones se Hayan Completado	16
para Calentar de Monogram	9	Finalice la Instalación	16
Instalación de una Superficie de Cocción sobre un Horno		Lista de Control de la Instalación	16
Simple Monogram de 27" o 30"	10	Instrucciones de instalación	
		Conversión a Propano (LP) o a Gas Natural	
		Herramientas Necesarias para la Conversión	17
		Convierta el Regulador	17
		Cambie los Orificios de los Quemadores	17
		Controle los Quemadores de la Superficie	18
		Ajuste de la Configuración de Llama Baja en	
		Quemadores de Superficies de Cocción	19
		Información Adicional	19

Información de diseño

DIMENSIONES Y ESPACIOS DEL PRODUCTO PARA MODELOS DE 30"



⚠ ADVERTENCIA

Las instalaciones sin capucha requieren un mínimo de 30" respecto de elementos combustibles. Una instalación de capucha a medida con superficies expuestas horizontales combustibles debe contar con una función de encendido automático. Consulte las instrucciones de instalación de la capucha para obtener espacios específicos de las capuchas.

En los espacios de despeje inferiores a 3 7/8" desde el recorte hasta la pared trasera se requiere que la superficie de toda la pared trasera sobre la superficie de cocción y debajo de la campana sea cubierta con un material no combustible. El material deberá ser de cartón contracolado ignífugo de un grosor no inferior a 0.25" (6.4 mm) cubierto por una lámina de metal de un grosor no inferior a MSG n° 28 de 0.015" (0.38 mm), de acero inoxidable de un grosor de 0.015" (0.38 mm) de aluminio o de 0.025" (0.64 mm) o de cobre de 0.020" (0.5 mm).

⚠ PRECAUCIÓN

Para evitar que una corriente de aire afecte el funcionamiento del quemador, selle todas las aberturas sobre el piso debajo del electrodoméstico y detrás de la pared del mismo.

ESPACIOS ADICIONALES:

Deje un espacio mínimo de 12" respecto de una pared adyacente sobre cada lado.

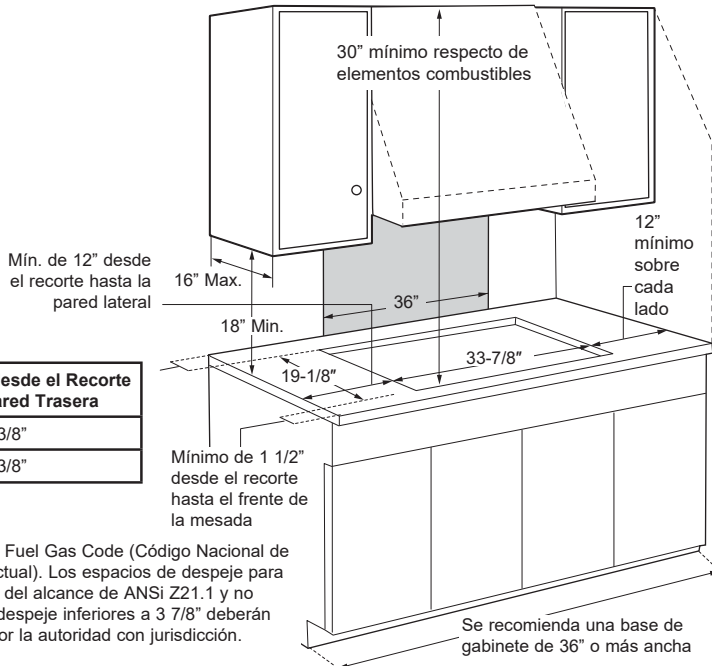
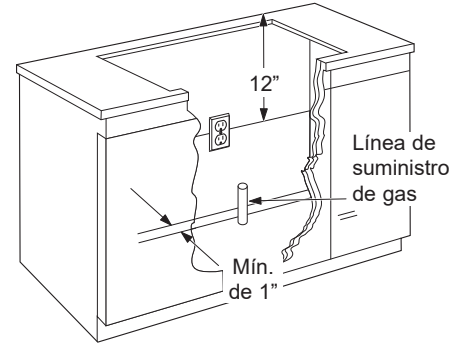
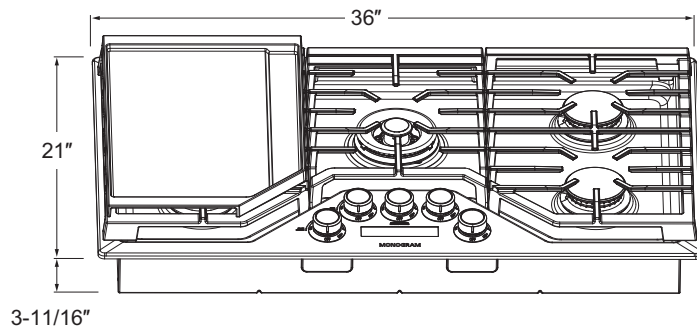
Las áreas de trabajo adyacentes a la estufa deben contar con un espacio mínimo de 18" entre el mostrador de encimera y la parte inferior del gabinete de pared.

NOTA: Deje un espacio vertical mínimo de 7/16" desde la parte inferior de la superficie de cocción (o una profundidad mínima de 4 9/16" desde la mesada) hasta cualquier superficie combustible, tal como el cajón de un gabinete.

Para la instalación de la isla, deje un espacio mínimo de 2-1/2 pulg. desde el recorte hasta el frente y un espacio mínimo de 2 1/2 pulg. desde el recorte hasta el extremo trasero de la mesada. Deje un espacio mínimo de 3 pulg. desde el recorte hasta los extremos laterales de la mesada.

Información de diseño

DIMENSIONES Y ESPACIOS DEL PRODUCTO PARA MODELOS DE 36"



Pared Trasera	Espacio Mín. desde el Recorte hasta la Pared Trasera
No Combustible*	3 3/8"
Combustible	4 3/8"

* De acuerdo con lo definido por el National Fuel Gas Code (Código Nacional de Gas Combustible) (ANSI Z223.1, Edición Actual). Los espacios de despeje para materiales no combustibles no están dentro del alcance de ANSI Z21.1 y no están certificados por UL. Los espacios de despeje inferiores a 3 7/8" deberán ser aprobados por los códigos locales y/o por la autoridad con jurisdicción.

Se recomienda una base de gabinete de 36" o más ancha

⚠ ADVERTENCIA

Las instalaciones sin capucha requieren un mínimo de 30" respecto de elementos combustibles. Una instalación de capucha a medida con superficies expuestas horizontales combustibles debe contar con una función de encendido automático. Consulte las instrucciones de instalación de la capucha para obtener espacios específicos de las capuchas.

En los espacios de despeje inferiores a 4 3/8" desde el recorte hasta la pared trasera se requiere que la superficie de toda la pared trasera sobre la superficie de cocción y debajo de la campana sea cubierta con un material no combustible. El material deberá ser de cartón contracolado ignífugo de un grosor no inferior a 0.25" (6.4 mm) cubierto por una lámina de metal de un grosor no inferior a MSG n° 28 de 0.015" (0.38 mm), de acero inoxidable de un grosor de 0.015" (0.38 mm) de aluminio o de 0.025" (0.64 mm) o de cobre de 0.020" (0.5 mm).

⚠ PRECAUCIÓN

Para evitar que una corriente de aire afecte el funcionamiento del quemador, selle todas las aberturas sobre el piso debajo del electrodoméstico y detrás de la pared del mismo.

ESPACIOS ADICIONALES:

Deje un espacio mínimo de 12" respecto de una pared adyacente sobre cada lado.

Las áreas de trabajo adyacentes a la estufa deben contar con un espacio mínimo de 18" entre el mostrador de encimera y la parte inferior del gabinete de pared.

NOTA: Deje un espacio vertical mínimo de 7/16" desde la parte inferior de la superficie de cocción (o una profundidad mínima de 4 9/16" desde la mesada) hasta cualquier superficie combustible, tal como el cajón de un gabinete.

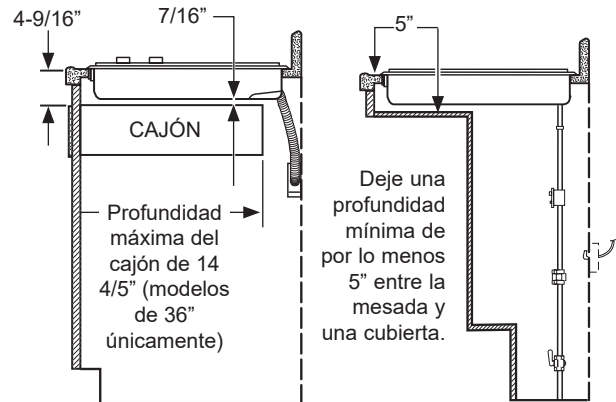
Para la instalación de la isla, deje un espacio mínimo de 2-1/2 pulg. desde el recorte hasta el frente y un espacio mínimo de 2 1/2 pulg. desde el recorte hasta el extremo trasero de la mesada. Deje un espacio mínimo de 3 pulg. desde el recorte hasta los extremos laterales de la mesada.

Información de diseño

DIMENSIONES Y ESPACIOS DEL PRODUCTO PARA MODELOS DE 30" y 36"

Instalación por Delante Únicamente de Acuerdo con la Ley de Estadounidenses con Incapacidades (American with Disabilities Act , ADA):

NOTA: La cubierta deberá estar hecha de material de madera. Además, se requiere un panel de acceso para el tomacorriente, el regulador de presión, la válvula de cierre, los soportes de sujeción, y el servicio técnico.



Opciones de Instalación

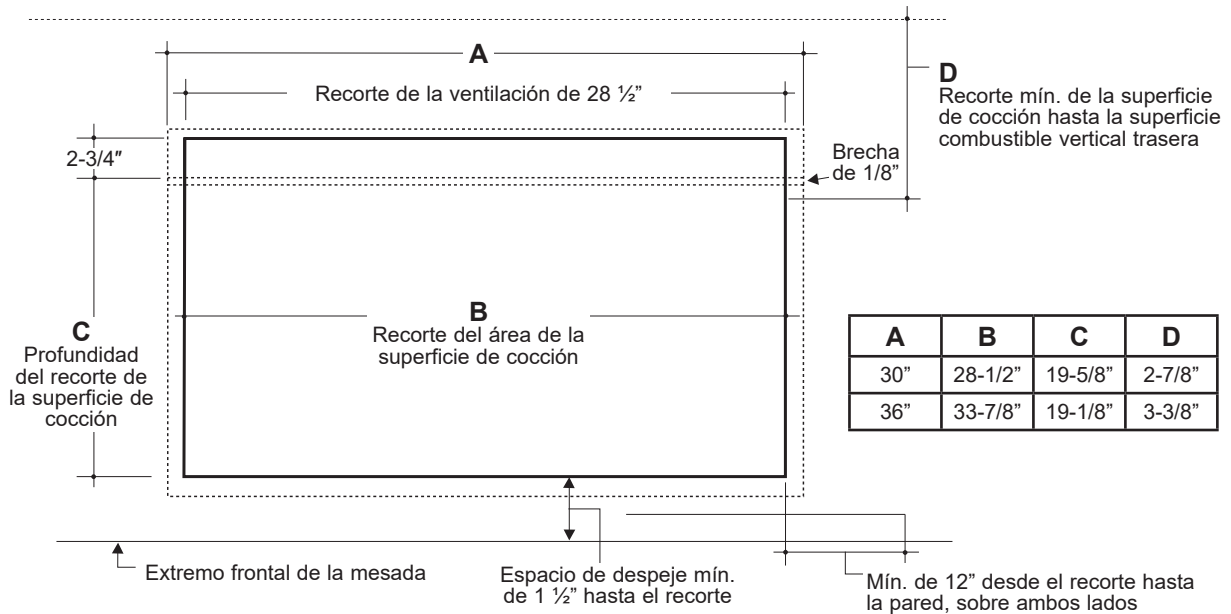
INSTALACIÓN DE LA SUPERFICIE DE COCCIÓN CON UNA VENTILACIÓN DESCENDENTE DE MONOGRAM (Consulte en instalaciones de combos aprobadas en Monogram.com)

La instalación de la ventilación descendente con esta superficie de cocción requiere una consideración cuidadosa. Tanto la superficie de cocción como la ventilación deberán ser instaladas de acuerdo con cada instrucción de instalación específica.

REQUISITOS DE LA SUPERFICIE DE COCCIÓN

La mesada deberá poseer una superficie profunda y plana donde se puedan ubicar la superficie de cocción y la ventilación. Las mesadas con bordes frontales redondeados y tableros posteriores no brindarán el área de superficie plana requerida.

- Revise la ilustración para determinar los requisitos de la superficie de la mesada.
 - Todos los espacios de los recortes de esta instalación deberán ser respetados.



REQUISITOS DEL GABINETE DE LA BASE

La instalación combinada se ajustará a un gabinete estándar con una base de una profundidad de 24". Use un gabinete con una base de 30" o más ancha.

- La carcasa de la ventilación, el soplador y el conducto ocuparán el gabinete de la base.

SUMINISTRO DE CORRIENTE

Si los códigos locales lo permiten, la ventilación y la superficie de cocción podrán funcionar desde el mismo tomacorriente con salida doble de 120V, 15 amperes. Ubique el suministro de gas y eléctrico.

Opciones de Instalación

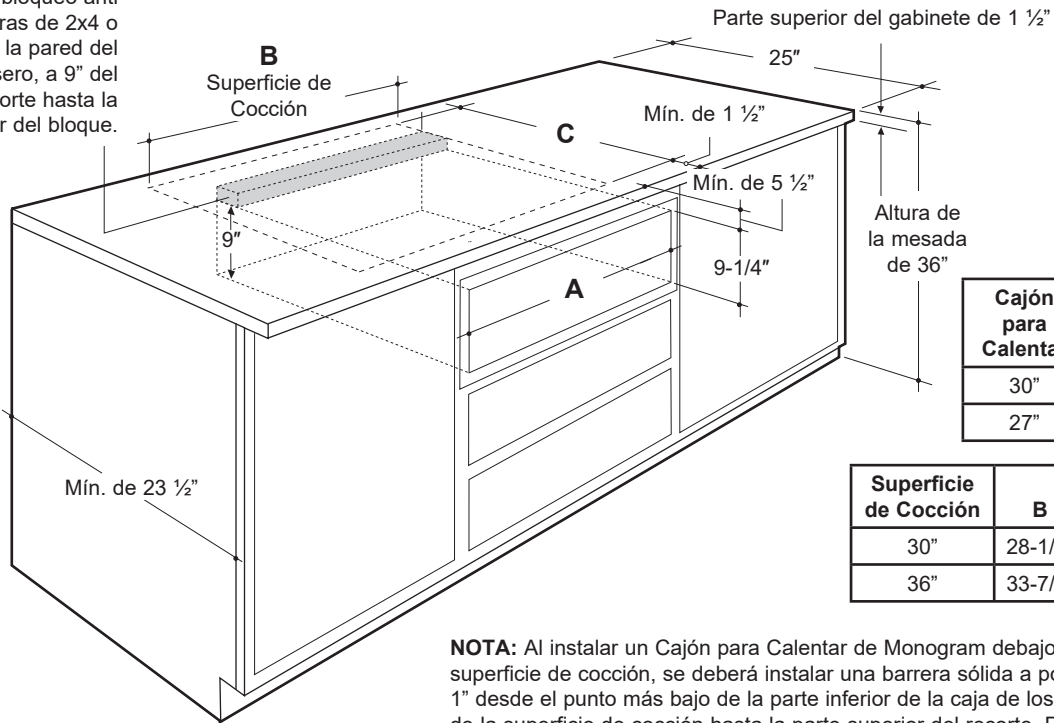
INSTALACIÓN DE LA SUPERFICIE DE COCCIÓN SOBRE UN CAJÓN PARA CALENTAR DE MONOGRAM (Consulte en instalaciones de combos aprobadas en Monogram.com)

Estas superficies de cocción podrán ser instaladas sobre un Cajón para Calentar de 30" o 27". Tanto la superficie de cocción como el cajón para calentar deberán ser instaladas de acuerdo con cada instrucción de instalación específica.

SUMINISTRO DE CORRIENTE

Si los códigos locales lo permiten, la superficie de cocción y el cajón para calentar podrán funcionar desde el mismo tomacorriente con salida doble de 120V. Para más detalles, consulte las instrucciones de instalación.

Instale el bloqueo anti volcaduras de 2x4 o 2x2 contra la pared del gabinete trasero, a 9" del piso del recorte hasta la parte inferior del bloque.



Cajón para Calentar	A
30"	28-1/2"
27"	25-1/2"

Superficie de Cocción	B	C
30"	28-1/2"	19-5/8"
36"	33-7/8"	19-1/8"

NOTA: Al instalar un Cajón para Calentar de Monogram debajo de una superficie de cocción, se deberá instalar una barrera sólida a por lo menos 1" desde el punto más bajo de la parte inferior de la caja de los quemadores de la superficie de cocción hasta la parte superior del recorte. Para más detalles, consulte las Instrucciones de Instalación del Cajón para Calentar.

Use un gabinete con una base de 30" o más ancha.

- Planifique la ubicación del suministro de gas de forma cuidadosa, a fin de evitar interferencias con el cajón para calentar.

Opciones de Instalación

INSTALACIÓN DE UNA SUPERFICIE DE COCCIÓN SOBRE UN HORNO SIMPLE MONOGRAM DE 27" O 30"

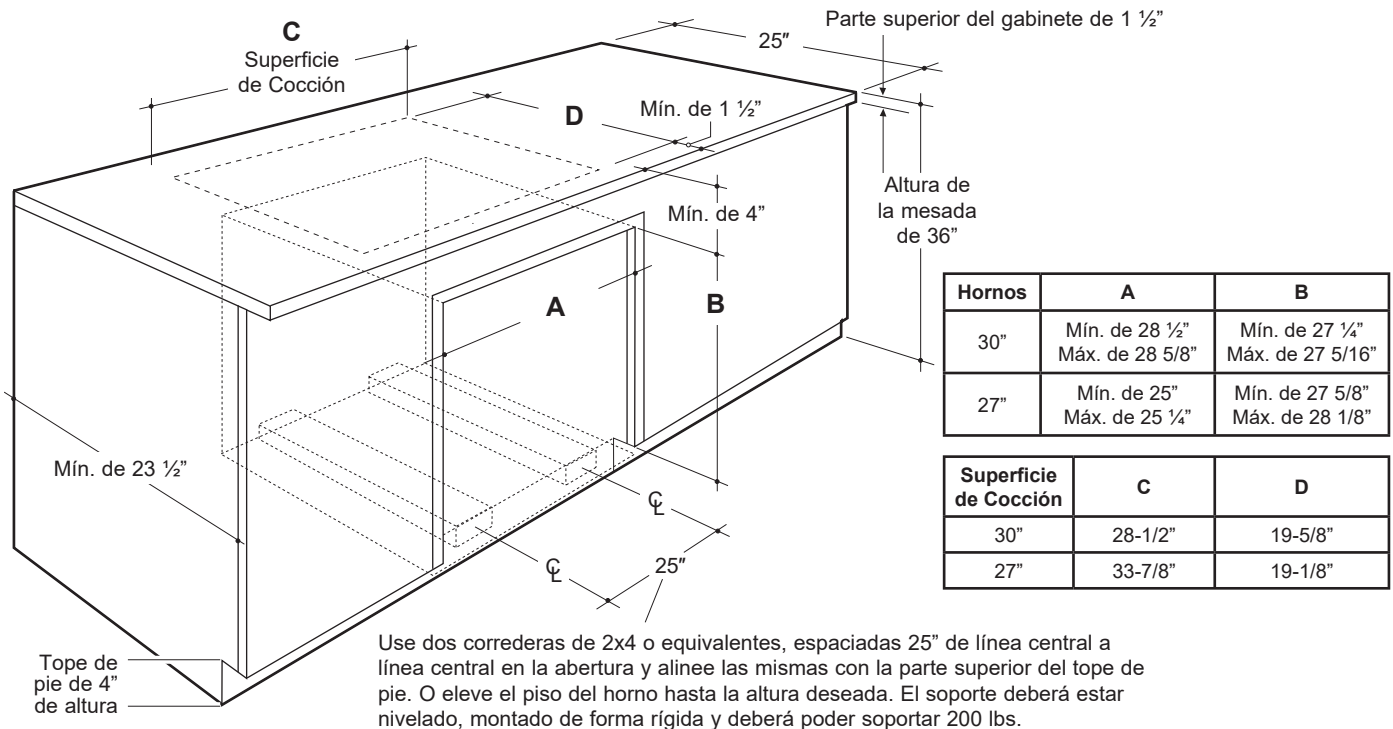
(Consulte en instalaciones de combos aprobadas en Monogram.com)

Estas superficies de cocción podrán ser instaladas sobre el horno simple de Monogram. Tanto la superficie de cocción como el horno deberán ser instalados de acuerdo con cada instrucción de instalación específica.

- Deje un espacio de despeje de un mín. de 4" desde la parte superior de la mesada hasta la parte superior del recorte del horno.

SUMINISTRO DE CORRIENTE

El horno requiere un suministro de corriente individual, correctamente conectado a tierra de 20 amperes, de 3 cables de 208 o 240 voltios y 60 Hz. La superficie de cocción requiere un suministro de corriente individual de 120V. Donde los códigos lo permitan, la válvula de cierre de gas podrá estar ubicada en un gabinete adyacente o en otra ubicación fácilmente accesible.



Hornos	A	B
30"	Mín. de 28 1/2" Máx. de 28 5/8"	Mín. de 27 1/4" Máx. de 27 5/16"
27"	Mín. de 25" Máx. de 25 1/4"	Mín. de 27 5/8" Máx. de 28 1/8"

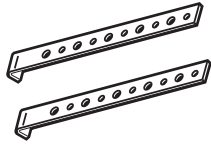
Superficie de Cocción	C	D
30"	28-1/2"	19-5/8"
27"	33-7/8"	19-1/8"

Use un gabinete con una base de 30" o más ancha.

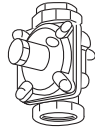
- Para un mejor aspecto, la superficie de cocción deberá estar centrada sobre el horno.

Instalación

MATERIALES PROVISTOS



2 Abrazadera de sujeción

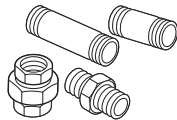


Regulador

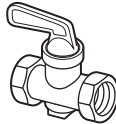
MATERIALES REQUERIDOS (NO PROVISTOS)



Sellador de Roscas de Tuberías



Accesorios de tubería



Válvula de apagado



Longitud máxima de 5 pies, 5/8" DE. Suministro de gas de metal flexible aprobado por CSA

NOTA: Adquiera una línea flexible nueva; no utilice una línea de gas flexible previamente usada.

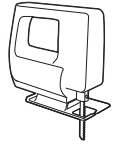
HERRAMIENTAS REQUERIDAS



Destornillador Philips



Llave con extremo abierto o ajustable



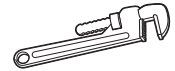
Sierra de Vaivén



Destornillador con cabeza plana



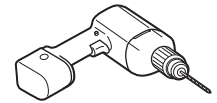
Lápiz y regla



Llave para tubería (2) (una de repuesto)



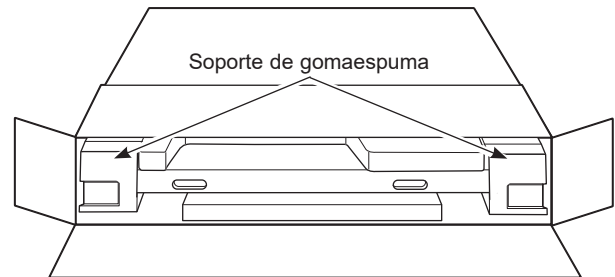
Gafas de Seguridad



Broca y Taladro Eléctrico o Manual de 1/8"

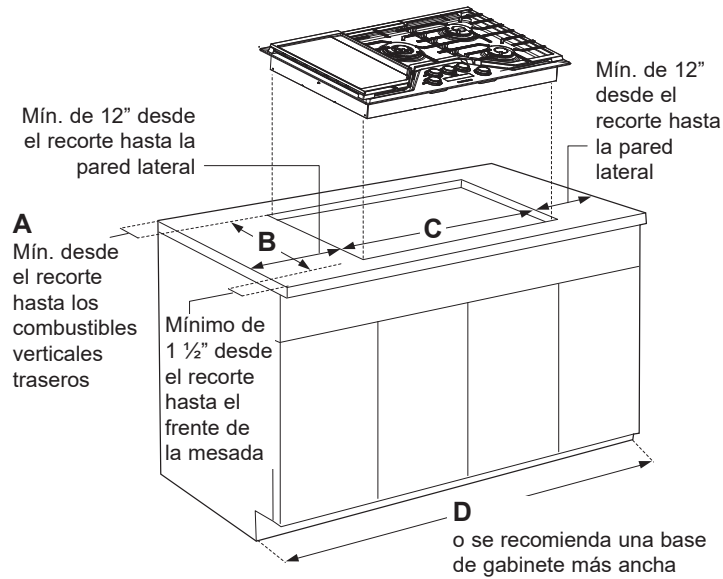
1 QUITAR EL EMPAQUE

- Quite la cinta y la espuma de empaque. Deseche todos los materiales de empaque de manera adecuada.
- Deslice la superficie de cocción desde el fondo de la caja. Retire los materiales de embalaje, las cajas de las rejillas, el regulador y el paquete de instrucciones de la superficie de cocción antes de comenzar a realizar la instalación.
- Use el cartón del embalaje como almohadilla para proteger las mesadas o pisos del cliente.



Instalación

2 CORTE LA ABERTURA DEL MOSTRADOR DE ENCIMERA



Use un gabinete con una base de 30" o más ancha

- Corte la abertura en la mesada. Para asegurar un nivel de precisión, es mejor hacer una plantilla de la abertura. Asegúrese de que los laterales de la abertura estén paralelos y que los recortes traseros y frontales estén exactamente perpendiculares a los laterales.
- Respete todos los espacios mínimos de despeje.

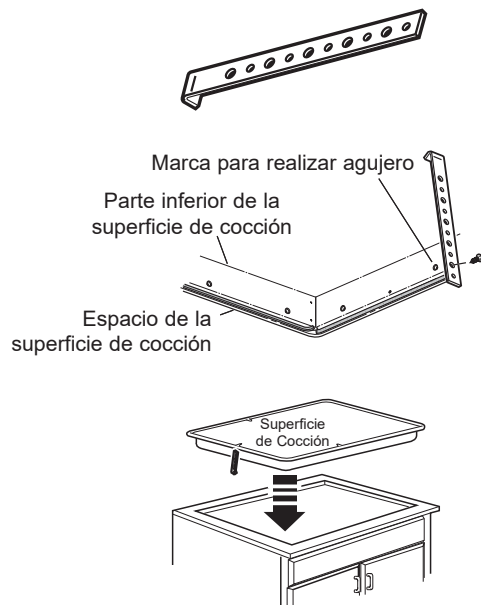
Dimensiones				
	A	B	C	D
Estufa de 30"	2-7/8"	19-5/8"	28-1/2"	30"
Estufa de 36"	3-3/8"	19-1/8"	33-7/8"	36"

Instalación

3 INSTALACIÓN DE LA SUPERFICIE DE COCCIÓN

- A. Ubique el tomacorriente eléctrico y la válvula de cierre de gas debajo del gabinete.
- B. Coloque la superficie de cocción al revés sobre una mesada cubierta por una toalla o mantel.
- C. Ubique y retire los soportes de los costados del paquete de instrucciones.
- D. Adhiera los soportes a la superficie de cocción. Retire el tornillo del costado de la superficie de cocción y atornille el soporte al costado de la unidad de la superficie de cocción. Repita esto en el lado opuesto de la superficie de cocción.
- E. Inserte la superficie de cocción centrada sobre la abertura del encastre. Asegúrese de que el extremo frontal de la mesada esté paralelo a la superficie de cocción. Haga el control final para verificar que se cumpla con todos los espacios de despeje necesarios.

Una vez colocada la unidad, atornille el soporte sobre los costados del gabinete para asegurar la unidad en su ubicación.



4 CONVERSIÓN A PROPANO (LP) O A GAS NATURAL

El regulador de presión y los orificios del quemador poseen una configuración de fábrica para gas natural. A fin de utilizar la superficie de cocción con propano (LP) el regulador y los orificios del quemador deberán estar cubiertos. La conversión deberá ser realizada por un instalador de gas propano (LP) calificado.

Guarde estas instrucciones y todo orificios en caso de que lo desee convertir nuevamente a gas natural.

Instalación

5 SUMINISTRO DE GAS

▲ADVERTENCIA Riesgo de incendio: No use una llama para controlar las pérdidas de gas.

▲ADVERTENCIA Riesgo de Explosión: No supere una torsión máxima de 25 pies-libras al realizar conexiones de tuberías de gas. Cualquier ajuste en exceso podrá dañar el regulador de presión, resultando en riesgo de incendio o explosión.

Regulador de Presión de Gas

Se deberá usar el regulador de presión de gas suministrado con esta superficie de cocción. Para un funcionamiento adecuado, la presión de entrada al regulador deberá ser la siguiente:

Gas Natural:

Presión mínima: Columna de Agua de 6"

Presión máxima: Columna de Agua de 13"

Gas Propano (LP):

Presión mínima: Columna de Agua de 11"

Presión máxima: Columna de Agua de 13"

Si no está seguro sobre cuál es la presión de entrada, comuníquese con el proveedor de gas local.

Cierre la válvula principal de suministro de gas antes de desconectar su vieja superficie de cocción y deje la misma apagada hasta que la nueva conexión se haya completado. No olvide volver a encender el piloto en otros electrodomésticos a gas cuando vuelva a encender el gas.

Debido a que las tuberías duras restringen el movimiento de la superficie de cocción, se recomienda el uso del conector para electrodomésticos de metal flexible con certificación internacional de CSA, a menos que los códigos locales requieran una conexión de tubería dura.

Si se usa el método de tubería dura, deberá alinear la misma con cuidado; la superficie de cocción no se podrá mover una vez realizada la conexión.

A fin de evitar pérdidas de gas, coloque el sellador de roscas de tuberías, o envuelva la cinta para roscas de tuberías con Teflón* alrededor de todas las roscas de tubería macho (externas).

- Instale el regulador de presión provisto directamente a la tubería de entrada de gas de la superficie de cocción. Consulte la flecha en la parte trasera del regulador para conocer la dirección del flujo de gas. Asegúrese de que la parte frontal del regulador esté mirando hacia el frente del gabinete, fácilmente accesible a través de las puertas del gabinete.
- Instale una válvula de cierre manual en la tubería de gas en una ubicación de fácil acceso a través de las puertas del gabinete.
- Una vez realizadas todas las conexiones, asegúrese de que todos los controles de gas estén en la posición de apagado y encienda la válvula de suministro principal de gas. Use un detector de pérdida de líquido en todas las uniones y conexiones, a fin de controlar pérdidas en el sistema.

*Teflón: Marca registrada por DuPont

5 SUMINISTRO DE GAS (Cont.)

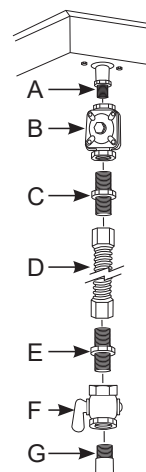
Al usar presiones superiores a ½ psig para controlar la presión del sistema de suministro de gas de la residencia, desconecte la superficie de cocción y la válvula de cierre individual de la tubería de suministro de gas. Al usar las presiones de prueba de ½ psig o menos para controlar el sistema de suministro de gas, simplemente aisle la superficie de cocción del sistema de suministro de gas, cerrando la válvula de cierre individual.

Al controlar el funcionamiento adecuado del regulador, la presión de entrada deberá ser por lo menos 1" mayor que la presión de funcionamiento (tubo) como en la etiqueta de calificación del producto.

CONEXIÓN DEL CONECTOR

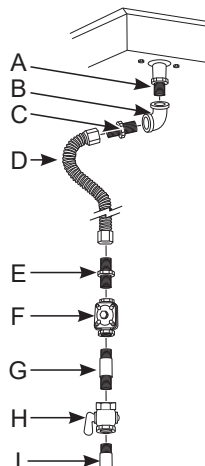
INSTALACIÓN TÍPICA SIN OBSTRUCCIONES DEBAJO DE LA SUPERFICIE DE COCCIÓN

- Unión roscada del adaptador NPT de 3/8" x NPT de 3/8" (en algunos modelos)
- Regulador provisto con la unidad:
 - Salida - Rosca hembra de tubería NPT de 3/8"
 - Entrada - Rosca hembra de tubería NPT de 1/2"
- Adaptador
- Conector flexible
- Adaptador
- Válvula de cierre manual
- Tubería de gas de 1/2" o 3/4"



INSTALACIÓN ALTERNATIVA CON OBSTRUCCIONES DEBAJO DE LA SUPERFICIE DE COCCIÓN

- Unión roscada del adaptador NPT de 3/8" x NPT de 3/8" (en algunos modelos)
- Codo
- Adaptador
- Conector flexible (permite el paso a través de la pared del gabinete)
- Adaptador
- Regulador provisto con la unidad:
 - Salida - Rosca hembra de tubería NPT de 3/8"
 - Entrada - Rosca hembra de tubería NPT de 1/2"
- Tubería de gas
- Válvula de cierre manual
- Tubería de gas de 1/2" o 3/4"



Instalación

6 CONEXIONES ELÉCTRICAS

⚠ADVERTENCIA

Riesgo de Descarga: Este electrodoméstico deberá estar conectado a tierra de forma adecuada. Si no cumple con esto se podrán producir descargas eléctricas.

Requisitos Eléctricos - Circuito específico de 120 voltios, 60 Hertz, correctamente conectado a tierra por un disyuntor de 15 o 20 amperes o fusible de retraso.

NOTA: No se recomienda para este producto el uso de interruptores automáticos, inalámbricos o con cableado externo que apaguen la corriente del electrodoméstico.

Conexión a Tierra

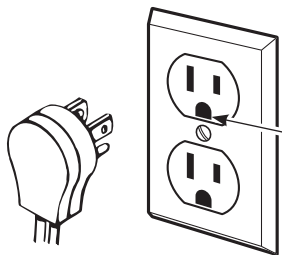
El cable de corriente de este electrodoméstico cuenta con un enchufe de 3 patas (conexión a tierra) que se conecta a un tomacorriente de pared estándar de 3 cables para minimizar la posibilidad de riesgos de descargas eléctricas por parte del mismo.

El cliente deberá contratar a un electricista calificado para que controle el circuito, a fin de asegurar que el tomacorriente esté correctamente conectado a tierra.

En caso de contar con un tomacorriente de pared de 2 cables, es la responsabilidad y obligación del cliente reemplazarlo por un tomacorriente de pared de 3 cables correctamente conectado a tierra.

NUNCA, BAJO NINGUNA CIRCUNSTANCIA, CORTE NI ELIMINE EL TERCER CABLE (TIERRA) DEL CABLE DE CORRIENTE. NO USE UN ADAPTADOR. NO USE UN PROLONGADOR.

No se requieren ni se recomiendan Interruptores con Detección de Falla a Tierra (GFCI) en receptáculos de superficies de cocción a gas. El funcionamiento de la superficie de cocción no se verá afectado si se utiliza en un circuito GFCI protegido, pero es posible que se produzcan detenciones ocasionales no deseadas del interruptor GFCI.



Asegúrese de contar con una conexión a tierra adecuada antes de usar.

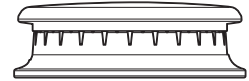
7 CONTROLE LOS QUEMADORES

⚠ADVERTENCIA

Riesgo de Incendio o Explosión: No use el quemador sin que todas las partes de los quemadores estén en sus respectivos lugares.

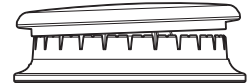
A. Quemadores -

Coloque las cabezas de los quemadores en las posiciones correspondientes en la placa de cocción.



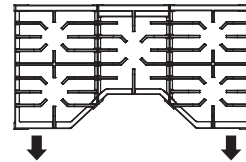
Tapa del quemador bien colocada

B. **Tapas** - Coloque las tapas en los quemadores de los tamaños correspondientes.



Tapa del quemador mal colocada

C. **Rejillas** - Las rejillas izquierda y derecha son intercambiables. Coloque las rejillas en la placa de cocción. Coloque las dos rejillas laterales, de modo que se forme una "línea" continua con las líneas centrales de ambas rejillas. Asegúrese de que ambas rejillas queden estables y niveladas.



8 CONTROLE LAS CABEZAS DE LOS QUEMADORES

Presione y gire la perilla a la posición LITE (Luz). Un sonido de clic indica el correcto funcionamiento del sistema de encendido. Al iluminar cualquier quemador, se producirán chispas en todos los quemadores pero sólo saldrá gas del que fue seleccionado. Una vez que el aire se haya purgado de la línea de suministro, el quemador se deberá encender dentro de los 4 segundos. Luego de que el quemador se encienda, gire la perilla fuera de la posición LITE (Luz). Pruebe cada quemador de forma sucesiva hasta que todos los quemadores hayan sido controlados.

Calidad de las Llamas

Determine la calidad de las llamas de forma visual. Las llamas normales de los quemadores se deberán ver como (A) o (B).



(A) Llamas azul suave — Normal para gas natural



(B) Puntas amarillas en conos externos — Normal para el gas propano (LP)

Las llamas largas de color amarillo brillante no son normales. Las llamas normales podrán mostrar signos de un tinte anaranjado cuando estén bien quemadas, o signos de anaranjado parpadeante debido a las partículas del gas o del aire.

Instalación

CUANDO TODAS LAS CONEXIONES SE HAYAN COMPLETADO

Asegúrese que todos los materiales de empaque y cintas se hayan retirado. Esto incluye cintas sobre el panel metálico debajo de las perillas de control (si corresponde), cinta adhesiva, cintas de ajuste, cartón y plástico protector. Si estos materiales no se retiran, se podrá producir como resultado un daño sobre el electrodoméstico, una vez que el mismo haya sido encendido y las superficies estén calientes.

FINALICE LA INSTALACIÓN

Coloque las rejillas de los quemadores sobre los quemadores. Las rejillas deben estar bien asentadas y no deben moverse.

LISTA DE CONTROL DE LA INSTALACIÓN

- Verifique que todos los controles queden en la posición OFF (apagado).
- Asegúrese de que el flujo de la combustión y el aire de ventilación a la superficie de cocción estén desobstruidos.
- **Vuelva a chequear los pasos:**
Constata dos veces que todos los puntos de este manual se hayan completado. Volver a controlar los pasos garantizará un uso seguro de la superficie de cocción.

NOTA: La etiqueta de especificaciones técnicas está ubicada en la parte inferior del panel frontal. Los números de modelo y serie también se pueden encontrar en la parte trasera de la perilla izquierda, y están visibles cuando la perilla es retirada.

Instrucciones de instalación

Conversión a Propano (LP) o a Gas Natural

⚠️ ADVERTENCIA Riesgo de Explosión

Se podrá producir la muerte o daños graves como resultado de no seguir estas instrucciones.

- Servicio técnico por parte de un técnico calificado del servicio únicamente
- Cierre la válvula de suministro y desconecte la corriente antes de realizar el servicio técnico.
- Vuelva a conectar todos los dispositivos de conexión a tierra luego de realizar el servicio técnico.
- Reemplace todas las piezas y paneles antes del uso.

El regulador de presión y los orificios del quemador poseen una configuración de fábrica para gas natural. A fin de operar la superficie de cocción con gas propano (LP), el regulador y los orificios de los quemadores deberán estar cubiertos:

⚠️ ADVERTENCIA No utilice la superficie de cocción antes de convertir los orificios de los quemadores al gas que será usado. Si no se cumple con esto, se podrán producir llamas altas y humos tóxicos que podrán producir lesiones graves.

HERRAMIENTAS NECESARIAS PARA LA CONVERSIÓN



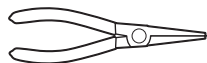
Gafas de seguridad



Llave Crescent



Llave de tuercas de 7 mm y 1/4"



Alicates pequeños



Destornillador plano pequeño (2 a 2.4 mm o 3/32" de tamaño de punta, 60 mm de largo)

1 CONVIERTA EL REGULADOR

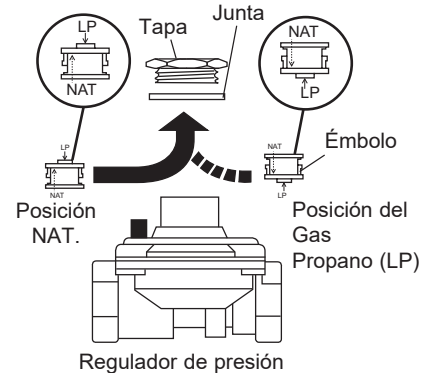
Desconecte el suministro de energía desde el interruptor de circuitos o la caja de fusibles.

- A. Cierre el suministro de gas de la superficie de cocción, cerrando la válvula de cierre manual.

1 CONVIERTA EL REGULADOR (Cont.)

B. Ajuste el regulador de presión, siguiendo las instrucciones:

- Desenrosque la tapa.
- Con cuidado observe el tensor del resorte para ubicar la posición NAT o propano (LP).
- Dé vuelta el tensor del resorte rotándolo 90 grados, retírelo de la tapa, gire el tensor del resorte de modo que propano (LP) sea visible, insértelo nuevamente en la tapa, y luego gírelo 90 grados hasta su posición.
- Atornille la tapa nuevamente en el regulador y ajuste.

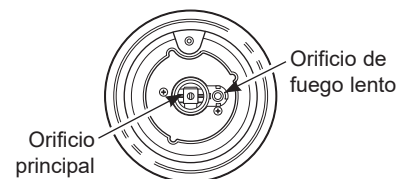
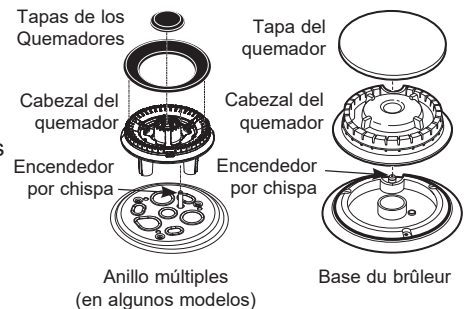


2 CAMBIE LOS ORIFICIOS DE LOS QUEMADORES

CONSEJO DE INSTALACIÓN: Primero quite todos los orificios y luego comience a colocarlos de nuevo. Esto lo ayudará a evitar la posibilidad de que algunos no vuelvan a colocarse.

- A. Quite las rejillas de los quemadores, las tapas de los quemadores y cabezales de los quemadores.

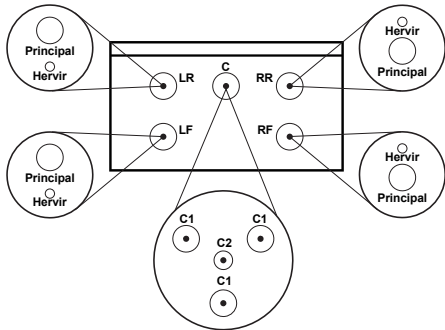
- B. Afloje los orificios del quemador superior utilizando una llave de tuercas de 7 mm. Utilice alicates pequeños para quitar los orificios con mucho cuidado.



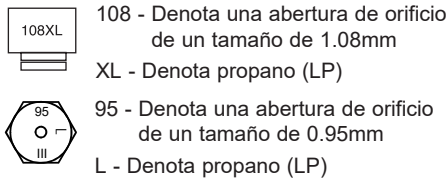
El orificio principal se encuentra en la parte inferior del centro del quemador, mientras que el orificio de fuego lento se encuentra más arriba al lado del centro del quemador.

Instrucciones de instalación para conversión de gas

2 CAMBIE LOS ORIFICIOS DE LOS QUEMADORES (cont.)



- Retire los orificios de propano (LP) del soporte adherido al regulador. La superficie superior y lateral de los orificios poseen grabados para su identificación. Use la tabla y la figura para determinar la ubicación de los orificios de propano (LP).
- Utilizando un destornillador de 7 mm o 9/32", instale los orificios de propano (LP) en las ubicaciones precisas. fin de evitar pérdidas, asegúrese de que los orificios estén atornillados de manera firme a los inyectores de gas.
- Instale los orificios antiguos en el soporte metálico junto con estas instrucciones, y haga el reemplazo sobre el regulador en caso de una posible conversión en el futuro.
- Reemplace las cabezas de los quemadores, tapas y rejillas superiores.



CALIFICACIONES DE POTENCIA DE LOS QUEMADORES BTU/HR

Gas Propano (LP) de 10" W.C.P. (Columnas de Presión de Agua)

QUEMADOR	PROMEDIO DE BTU	TAMAÑO DEL ORIFICIO (mm)	CALIFICACIÓN
LF	10,000		
Principal	N/A	0.88	88XL
Hervir	N/A	0.34	34SL
LR	10,000		
Principal	N/A	0.88	88XL
Hervir	N/A	0.34	34SL
C	18,000		
C1	N/A	0.686	69L
C1	N/A	0.686	69L
C1	N/A	0.686	69L
C2	N/A	0.41	41L
RR	10,000		
Principal	N/A	0.88	88XL
Hervir	N/A	0.34	34SL
RF	12,000		
Principal	N/A	0.97	97XL
Hervir	N/A	0.34	34SL

3 CONTROLE LAS CABEZAS DE LOS QUEMADORES

Presione y gire la perilla a la posición LITE (Luz). Un sonido de clic indica el correcto funcionamiento del sistema de encendido. Al iluminar cualquier quemador, se producirán chispas en todos los quemadores pero sólo saldrá gas del que fue seleccionado. Una vez que el aire se haya purgado de la línea de suministro, el quemador se deberá encender dentro de los 4 segundos. Luego de que el quemador se encienda, gire la perilla fuera de la posición LITE (Luz). Pruebe cada quemador de forma sucesiva hasta que todos los quemadores hayan sido controlados.

Calidad de las Llamas

Determine la calidad de las llamas de forma visual. Las llamas normales de los quemadores se deberán ver como (A) o (B).



(A) Llamas azul suave —
Normal para gas natural



(B) Puntas amarillas en conos externos —
Normal para gas propano (LP)

Las llamas largas de color amarillo brillante no son normales. Las llamas normales podrán mostrar signos de un tinte anaranjado cuando estén bien quemadas, o signos de anaranjado parpadeante debido a las partículas del gas o del aire.

Instrucciones de instalación para conversión de gas

4 AJUSTE DE LA CONFIGURACIÓN DE LLAMA BAJA EN QUEMADORES DE SUPERFICIES DE COCCIÓN

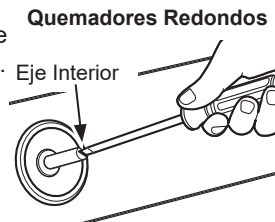
Este procedimiento ajusta el flujo bajo del anillo superior de las llamas en cada uno de los 4 quemadores duales. La fila baja de llamas no es ajustable.

Los ajustes en configuraciones bajas se deben realizar con otros 2 quemadores funcionando en una configuración media. Este procedimiento evita que la llama baja se configure demasiado baja, haciendo que la llama se extinga cuando otros quemadores están encendidos.

A. Encienda los quemadores de la superficie en una configuración media.

B. Gire la perilla del quemador que se está ajustando a "LO" (Bajo).

C. Retire la perilla e inserte un destornillador de punta plana pequeño en el eje de la válvula, como se muestra.



Gire en dirección contraria a la agujas del reloj tanto como sea posible, mientras mantiene una llama estable. Repita esto con todas las válvulas.

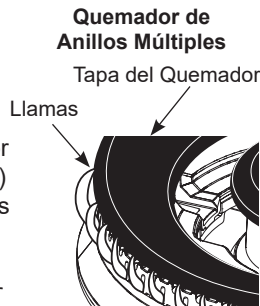
Centre el tornillo de ajuste de todos los quemadores, excepto del Quemador de Anillos Múltiples

D. Si la llama se ve demasiado baja o inestable, lentamente gire el tornillo de ajuste en dirección de las agujas del reloj, hasta que haya una llama estable en cada quemador.

E. De forma adicional, al ajustar cada quemador, rápidamente abra y cierre las puertas del gabinete mientras observa la llama. Si la llama se extingue, gire el tornillo adyacente en dirección de las agujas del reloj para generar una llama más grande. Repita la apertura de puertas hasta que la llama sea estable.

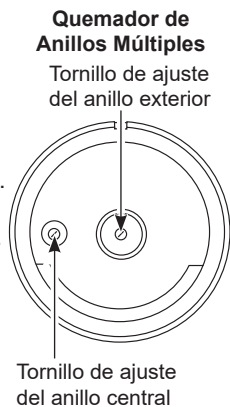
Quemador de Anillos Múltiples (en algunos modelos)

- Encienda el quemador hasta la configuración MED (Media) para ajustar el anillo exterior. Gire el tornillo de ajuste del anillo exterior (en el centro del eje de la válvula) en dirección contraria a las agujas del reloj, de modo que las llamas del anillo exterior se ondeen apenas sobre el extremo superior de la tapa del quemador.



- Encienda el quemador hasta la configuración SIM (Hervir) para ajustar el anillo central. Gire en dirección contraria a las agujas del reloj tanto como sea posible, mientras mantiene una llama estable.

- Abra y cierre las puertas del gabinete mientras observa la llama. Si la llama se extingue, gire el tornillo adyacente en dirección de las agujas del reloj para generar una llama más grande. Repita la apertura de puertas hasta que la llama sea estable.



NOTA ESPECIAL:

A fin de volver a convertir la superficie de cocción a gas natural, invierta las instrucciones brindadas al realizar los ajustes para gas propano (LP).

AVISO:

Una vez completada y confirmada la conversión, llene el adhesivo e incluya su nombre, organización y fecha en que fue realizada la conversión. Pegue la etiqueta sobre la superficie de cocción, cerca del regulador, para alertar a otras personas en el futuro de que este electrodoméstico fue convertido a gas propano (LP). Si volverá a realizar la conversión de propano (LP) a gas natural, por favor retire el adhesivo de modo que otras personas sepan que el electrodoméstico está configurado para uso con gas natural.

INFORMACIÓN ADICIONAL

CALIFICACIONES DE POTENCIA DE LOS QUEMADORES BTU/HR			
Gas NG (Natural) 5" W.C.P. (Presión de Columna de Agua)			
QUEMADOR	PROMEDIO DE BTU	TAMAÑO DEL ORIFICIO (mm)	CALIFICACIÓN
LF	10,000		
Principal	N/A	1.28	128XN
Hervir	N/A	0.51	51SN
LR	10,000		
Principal	N/A	1.28	128XN
Hervir	N/A	0.51	51SN
C	20,000		
C1	N/A	1.1	110N
C1	N/A	1.1	110N
C1	N/A	1.1	110N
C2	N/A	0.63	63N
RR	10,000		
Principal	N/A	1.28	128XN
Hervir	N/A	0.51	51SN
RF	12,000		
Principal	N/A	1.45	145XN
Hervir	N/A	0.51	51SN



190 - Denota una abertura de orificio de un tamaño de 1.90mm
XN - Denota gas natural



198 - Denota una abertura de orificio de un tamaño de 1.98mm
N - Denota gas natural

NOTA: Al realizar las instalaciones descritas en este libro, se deberán usar anteojos o gafas de seguridad.

NOTA: Monogram se esfuerza de forma constante para mejorar sus productos. Por lo tanto, los materiales, el aspecto y las especificaciones están sujetos a cambios sin aviso previo.