



SPECIFICATIONS

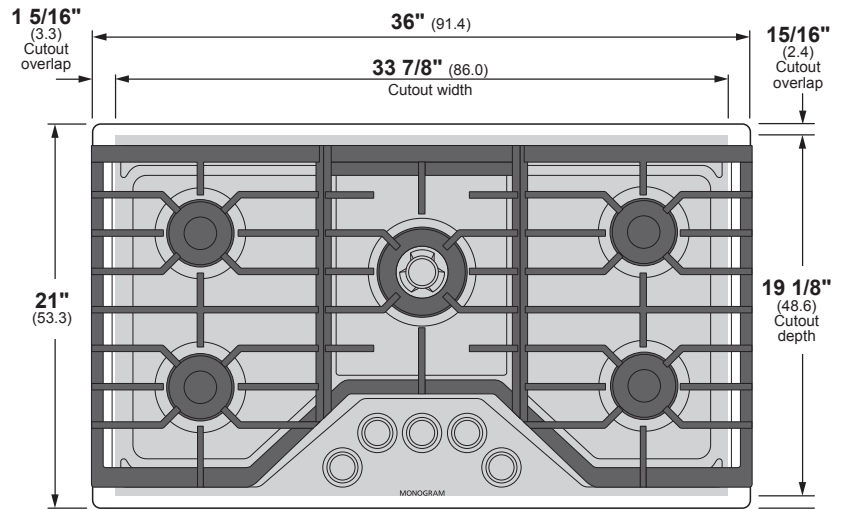
Overall Width	36" (91.4 cm)
Overall Depth	21" (53.3 cm)
Overall Height	7 7/8" (20.0 cm)*
Cut-out Width	33 7/8" (86.0 cm)
Cut-out Depth	19 1/8" (48.6 cm)
Conduit Length	46 1/2" (118.1 cm)
Volts/Hertz/Amps	120 V AC, 60Hz, 15A
Net Weight	55 lbs. (25 kg)*
Approx. Shipping Weight	80 lbs. (36 kg)

*Including cooking grates, but not including griddle accessory

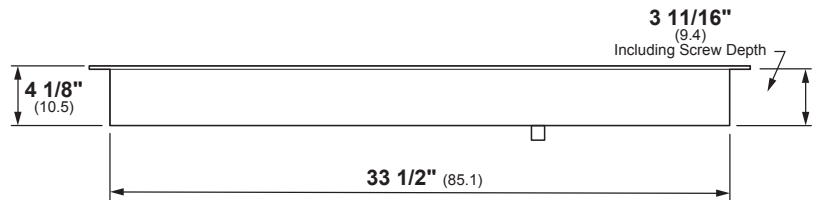
Accessory - Cast Iron Griddle:
Achieve even results with this heavy-duty cast iron griddle, designed to fit over the left-side grates.

ATTENTION ELECTRICIAN:
A 120V, 60Hz, 15 Amp circuit is required. An individual properly grounded branch circuit or circuit breaker is required. Hard wired junction box is required for built-in product.

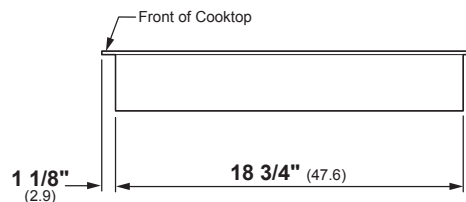
OVERALL DIMENSIONS



TOP VIEW (SHOWING CUTOUT OVERLAP)



FRONT VIEW



SIDE VIEW

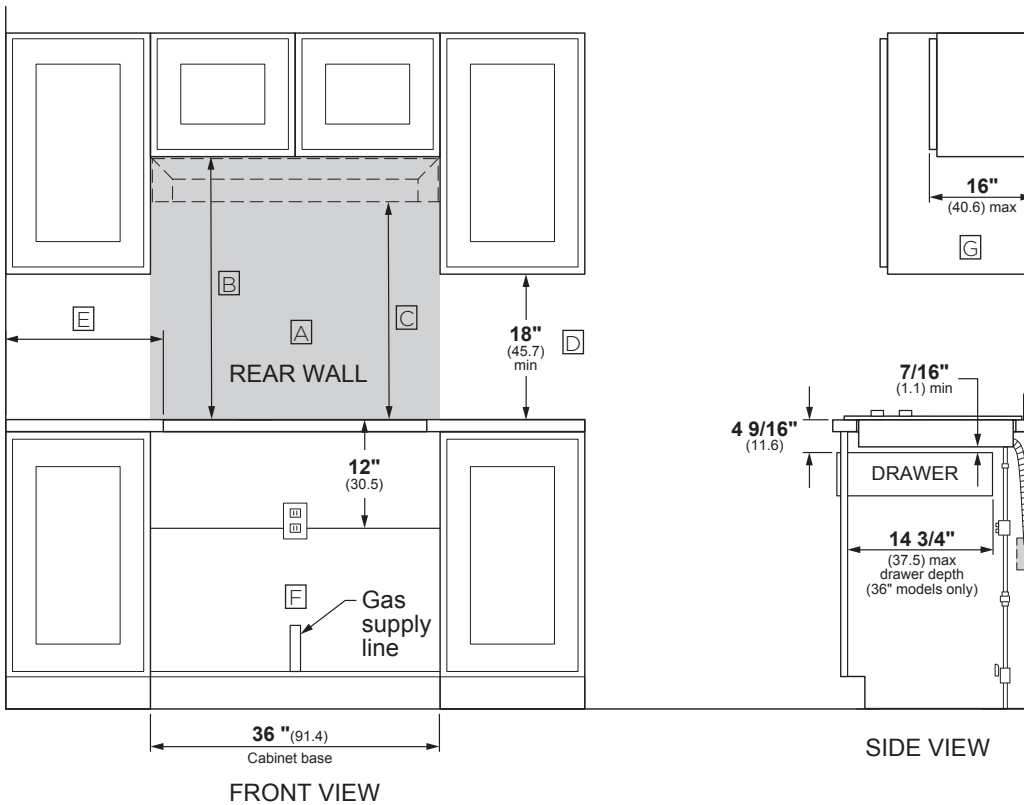
For more details refer to the installation instructions for this product.

ELEVATE EVERYTHING™



Dimensions in parentheses are in centimeters unless otherwise noted. Actual product dimensions may vary due to manufacturing tolerances.

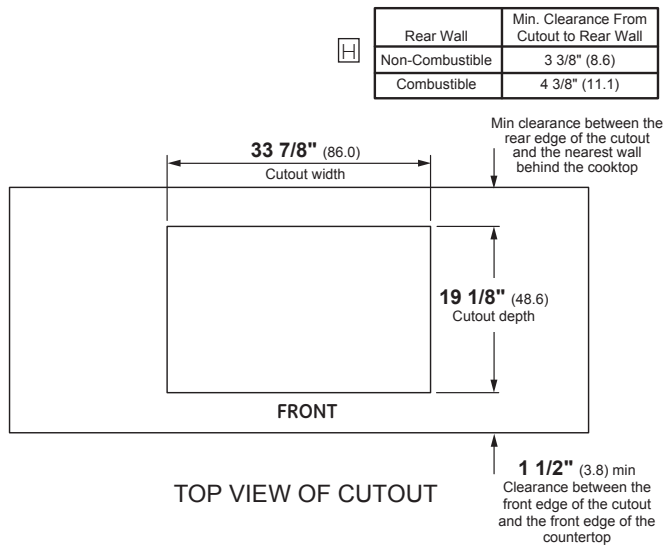
INSTALLATION



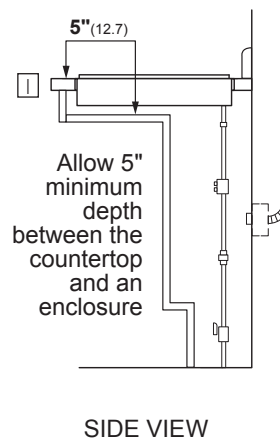
NOTES

- A Wall coverings, countertop and cabinets surrounding cooktop must be able to withstand temperatures of up to 200°F.
- B Minimum 30" clearance from countertop to unprotected overhead surfaces, when no ventilation hood or microwave oven is installed.
- C When using a ventilation hood or microwave oven above the cooktop, see hood or microwave installation instructions for minimum overhead clearance dimensions.
- D Minimum 18" of clearance from countertop to nearest overhead surface on both sides of cooktop. Make sure to include any lighting rail covers in calculation.
- E Minimum 12" distance from edge of cutout to adjacent side wall below upper cabinets.
- F Minimum 12" distance from of countertop to electrical junction box. Gas supply line must be 1" distance from rear wall of cabinet.
- G Maximum 16" depth of unprotected overhead surfaces, when no ventilation hood or microwave oven is installed.
- H Non-Combustible as defined in the National Fuel Gas Code (ANSI Z223.1 Current Edition). Clearances from non-combustible materials are not part of the ANSI Z21.1 scope and are not certified by UL. Clearances less than 4 3/8" must be approved by local codes and/or the authority having jurisdiction.
- I For Americans with Disabilities Act (ADA) forward approach installation: Minimum 5" clearance between the top of the countertop and the enclosure. The enclosure must be made of at least 1/4" thick wood material, and must have an access panel installed in order to provide access to the junction box and hold-down brackets, and to allow for service of the cooktop.

COUNTERTOP CUT-OUT DIMENSIONS



ADA INSTALLATION



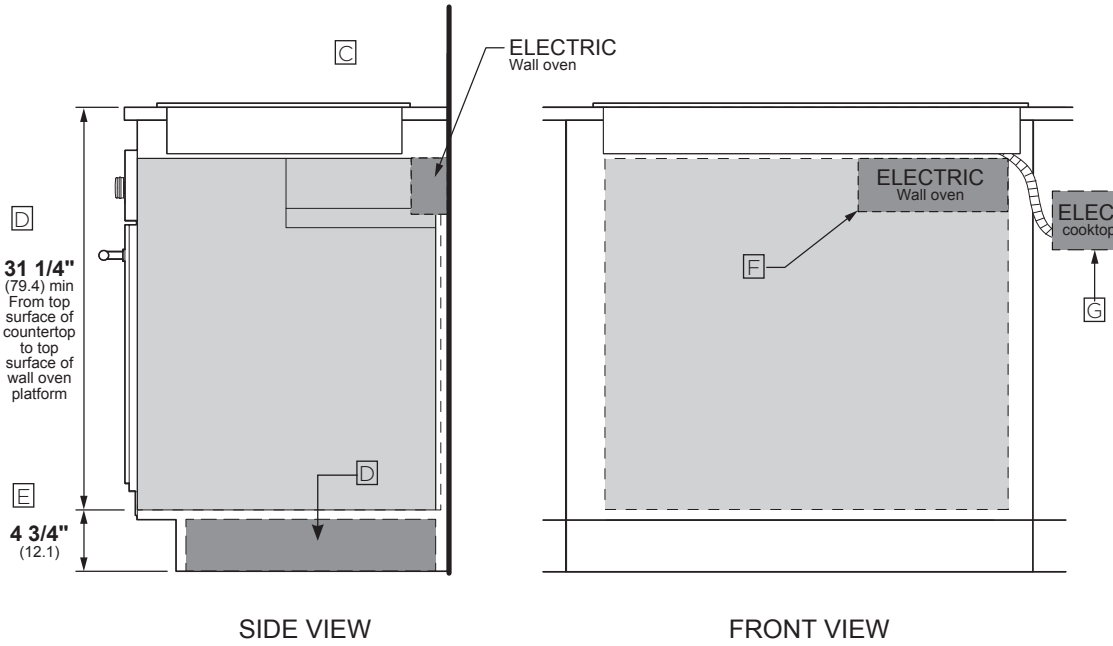
ELEVATE EVERYTHING™



Dimensions in parentheses are in centimeters unless otherwise noted.

INSTALLATION ABOVE WALL OVEN

A

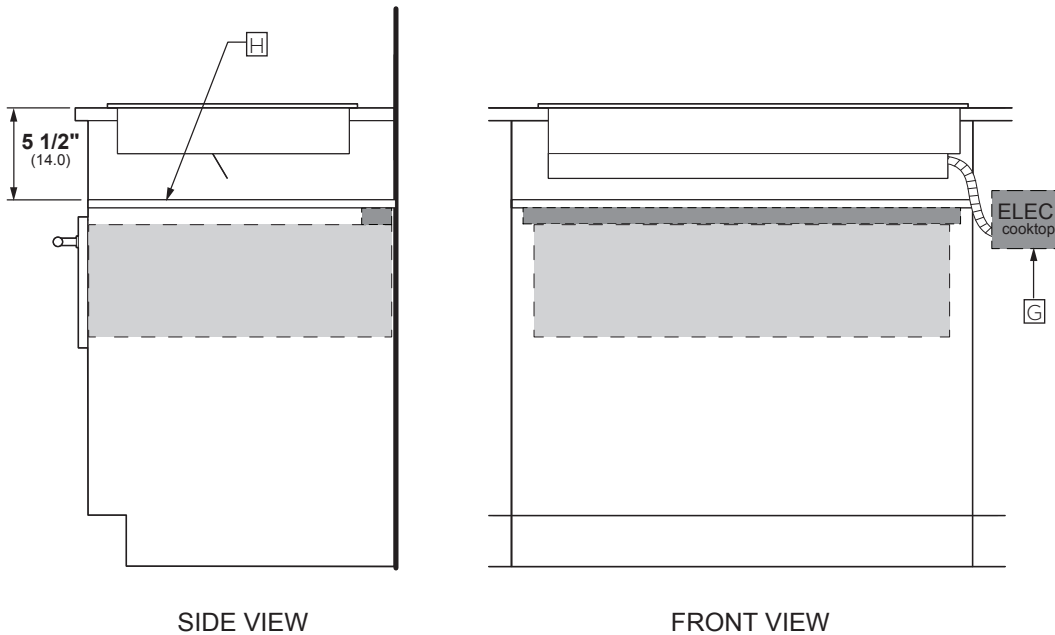


NOTES

- A Note this cooktop is only approved for installation above specific wall ovens as labeled on the wall oven.
- B Warming drawers are approved for installation below only certain specified cooktop models. See the label attached to the top of the warming drawer for approved combinations.
- C Refer to cooktop installation instructions.
- D Maintain a minimum distance of 31-1/4" from the top surface of the countertop to the wall oven platform to ensure that the cooktop and wall oven do not interfere with each other (see picture).
- E The cooktop platform must be a minimum height of 4-3/4" from the floor to ensure that the handle does not hit the floor when the door is opened.
- F Junction box location for wall oven (may also be located in adjacent cabinet).
- G Electrical connection for cooktop must be located in an accessible adjacent location to the right (may also be located in adjacent cabinet).
- H When installing the cooktop above a warming drawer, a solid barrier must be installed at least 5-1/2" from the top of the countertop. Use any solid material such as 1/4" thick plywood. Allow at least a 2" air gap between the front of the barrier and the inside of the cabinet and at least 1/4" air gap between the barrier and the top of the warming drawer.

INSTALLATION ABOVE WARMING DRAWER

B



For more details refer to the installation instructions for this product

ELEVATE EVERYTHING



For more details, refer to the installation instructions for this product on Monogram.com. Dimensions in parentheses are in centimeters unless otherwise noted.

FEATURES AND BENEFITS

PRECISION KNOBS

With embedded sapphire glass illuminate each knob making it easy to view and select heat settings

DUAL FLAME STACKED BURNERS

Provide 140F simmer-to-rapid-boil flexibility on all burners; the burners are sealed to the cooktop for easy cleaning

HIGH OUTPUT COOKING

Delivered by a 20,000 BTU tri-ring burner, total of 62,000 BTUs

TRI-RING BURNER

Versatile burner creates 20,000 BTUs of intense heat, perfect for searing, frying and sautéing

CONTINUOUS GRATES

Designed for even cooking and simple movement of cookware across the surface

ELECTRONIC IGNITION

Ensures a continuous flame and reignites automatically if accidentally extinguished

HEAVY DUTY CAST IRON GRIDDLE

Designed to fit the Monogram gas cooktop



ELEVATE EVERYTHING

MONOGRAM