



Installation Instructions

53" Brass Hood Designer Collection

Model: ZVC53DWB1

BEFORE YOU BEGIN

Read these instructions completely and carefully.

- **IMPORTANT** — Save these instructions for local inspector's use.
- **IMPORTANT** — Observe all governing codes and ordinances.
- **Note to Installer** — Be sure to leave these instructions with the Consumer.
- **Note to Consumer** — Keep these instructions with your Owner's Manual for future reference.
- **Skill Level** — Installation of this appliance requires basic mechanical and electrical skills.
- Proper installation is the responsibility of the installer. Product failure due to improper installation is not covered under the warranty. See Owner's Manual for warranty information.

▲ WARNING Improper grounding can result in a risk of electric shock. Consult a qualified electrician if the grounding instructions are not completely understood, or if doubt exists as to whether the appliance is properly grounded.

For Monogram local service in your area,
800.444.1845.

For Monogram Service in Canada, call 800.561.3344.

For Monogram Parts and Accessories, call
800.626.2002.

If you received a damaged vent hood, you should contact your dealer.

▲ CAUTION Due to the weight and size of these vent hoods and to reduce the risk of personal injury or damage to the product, **TWO PEOPLE ARE REQUIRED FOR PROPER INSTALLATION.**

▲ WARNING TO REDUCE THE RISK OF FIRE, ELECTRICAL SHOCK OR INJURY TO PERSONS, OBSERVE THE FOLLOWING:

- Installation work and electrical wiring must be done by qualified person(s) in accordance with all applicable codes and standards, including fire-related construction.
- When cutting or drilling into walls or ceilings, do not damage electrical wiring and other hidden utilities.
- Ducted systems must always be vented to the outdoors.

▲ CAUTION To reduce risk of fire and to properly exhaust air, be sure to duct air outside — do not vent exhaust air into spaces within walls or ceilings or into attics, crawl spaces or garages.

▲ WARNING TO REDUCE THE RISK OF FIRE, USE ONLY METAL DUCTWORK.

READ AND SAVE THESE INSTRUCTIONS

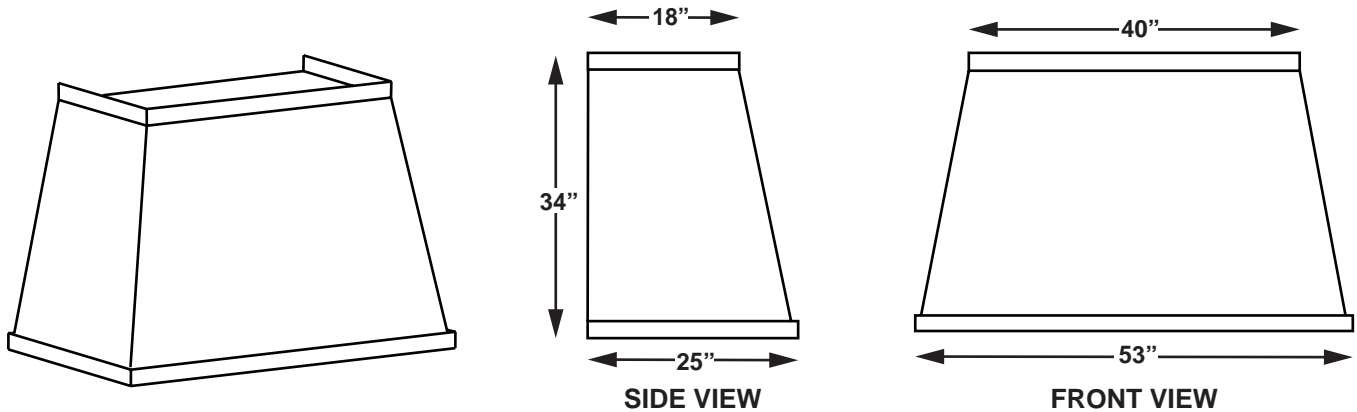
31-7000245 Rev. 0 02-24

Installation Instructions

CONTENTS

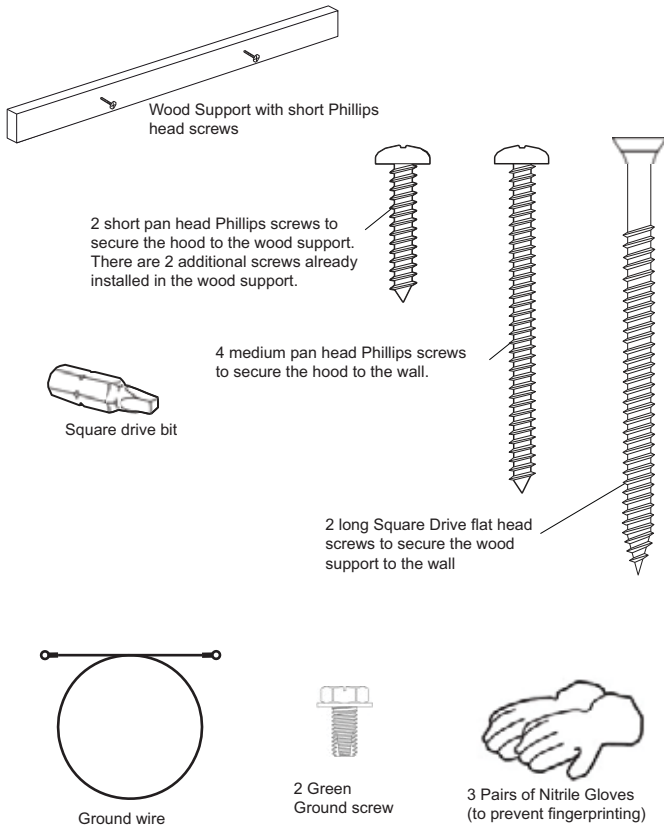
Safety Information	1	Unboxing	3
Product Dimensions	2	Step 1, Determine Ductwork and Wiring Locations	4
Additional Parts Provided	2	Step 2, Install Hood onto Wall.....	5
Tools and Materials Required.....	2	Step 3, Prepare Custom Hood Insert.....	6
Installation Clearance	3	Step 4, Install Hood Insert into Hood	6
Advance Planning	3		

PRODUCT DIMENSIONS



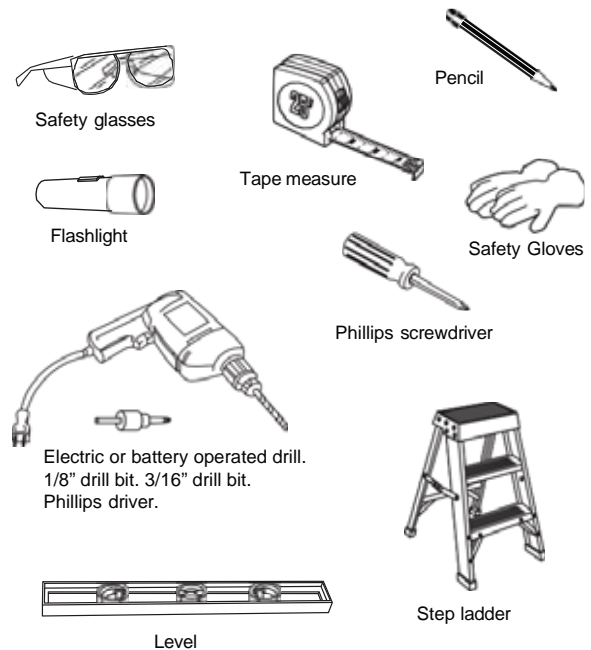
ADDITIONAL PARTS PROVIDED

These parts are packed with the hood.



TOOLS AND MATERIALS REQUIRED

(Not supplied)



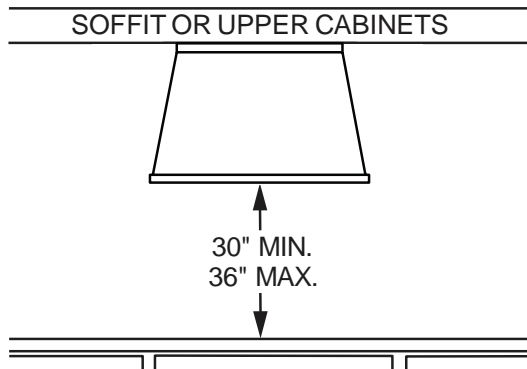
Installation Instructions

INSTALLATION CLEARANCES

This hood is designed to be installed onto a wall. Install this hood 30" minimum to 36" maximum above the cooking surface.

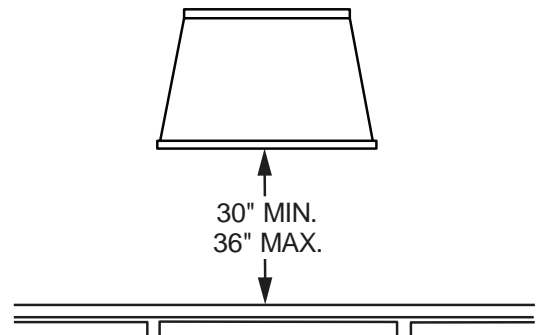
NOTE: Clearances may vary due to type of cooking product and local codes. Check with local inspectors to be sure standard is applicable.

Top Vent Installation



In this installation, the ductwork running from the top of the hood will be concealed in the soffit or upper cabinetry.

Back Vent Installation



In this installation, the ductwork running from the back of the hood goes directly into the wall.

ADVANCED PLANNING

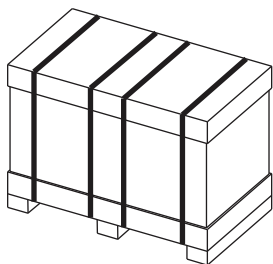
Ductwork Planning

- Carefully review the ductwork installation method as described later in this instruction as well as the hood insert installation instructions.

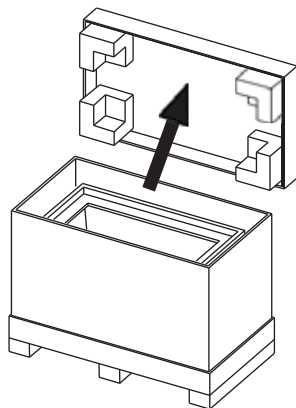
Wall Framing for Adequate Support

- This hood is heavy. Adequate structural support must be provided. Hood must be secured to vertical studs in the wall.
- It is strongly recommended that the hood and hood insert be on site before final framing and wall finishing. This will also help to accurately locate the ductwork and electrical service.

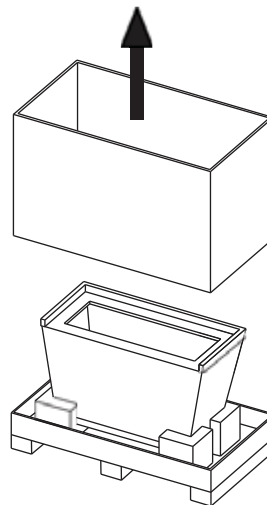
UNBOXING



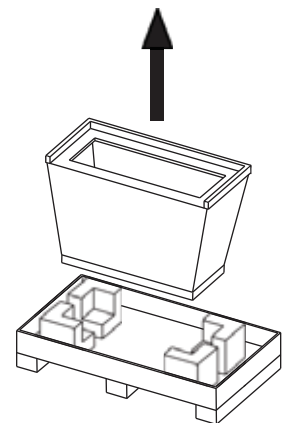
Cut Straps



Remove Top



Remove Sleeve



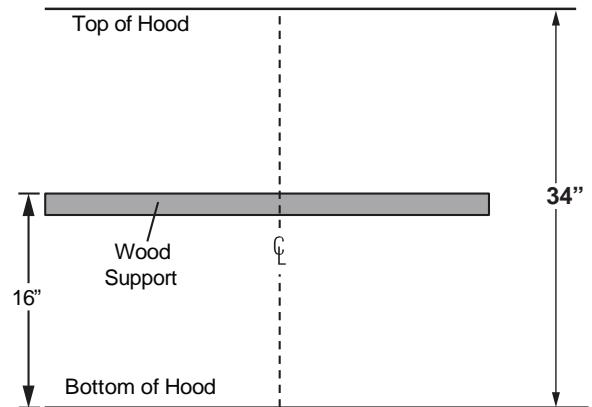
Remove Hood

Installation Instructions

STEP 1 DETERMINE HOOD AND DUCTWORK LOCATIONS

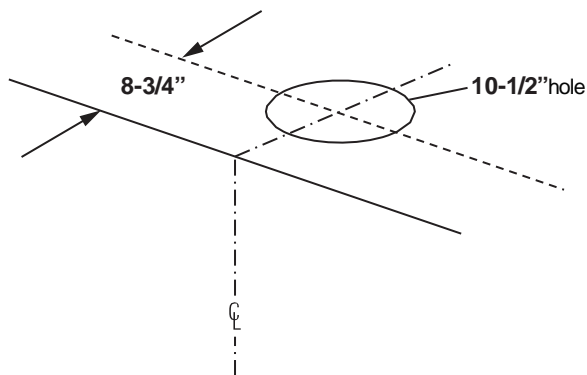
MARK LOCATION OF WOOD SUPPORT:

- Use a level to draw a cooktop centerline location. Draw the line to ceiling height.
- Measure desired distance from the bottom of the hood to the cooking surface, 30" min. to 36" max.
- Use a level to draw a straight horizontal pencil line indicating the bottom of the hood.
- From the line indicating the bottom of the hood, measure 16" up and draw another line for the location of the top of the wood support.
- From the line indicating the bottom of the hood, measure 34" up and draw another line for the location of the top of the hood. See illustration.



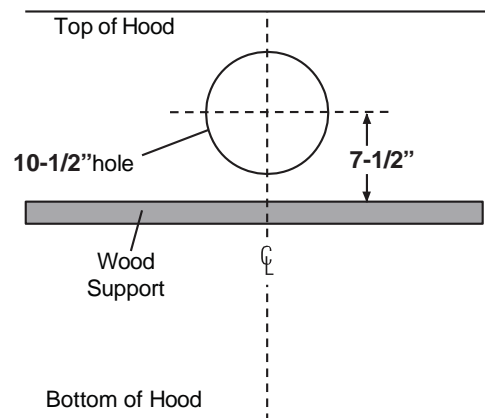
FOR VERTICAL (Straight Up) DUCTING:

- Use a level to draw a centerline from the bottom of the hood to ceiling or soffit.
- Extend the centerline forward on the ceiling or soffit.
- Mark the center of a 10-12" hole on the ceiling or soffit by measuring 8-3/4" from the wall.



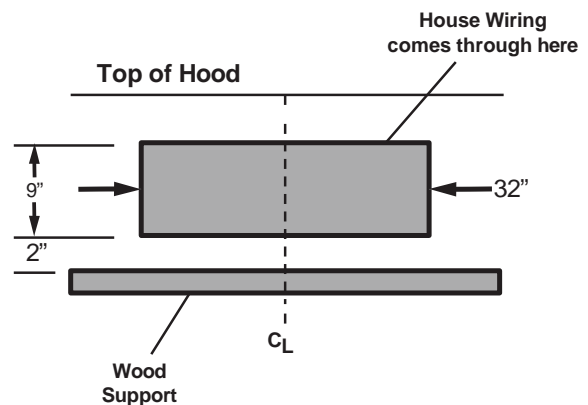
FOR DUCTING THROUGH REAR WALL:

- Measure 7-1/2" above the marked line for the top of the wood support. At the centerline, mark location for a 10-1/2" diameter hole.



HOUSE WIRING LOCATION:

- House Wiring to come through wall as shown. Provide at least 7 feet of House Wiring.

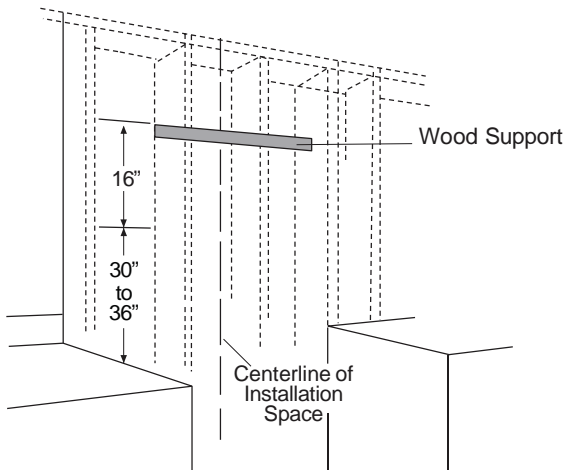


Installation Instructions

STEP 2 INSTALL HOOD TO WALL

MOUNT WOOD SUPPORT TO WALL:

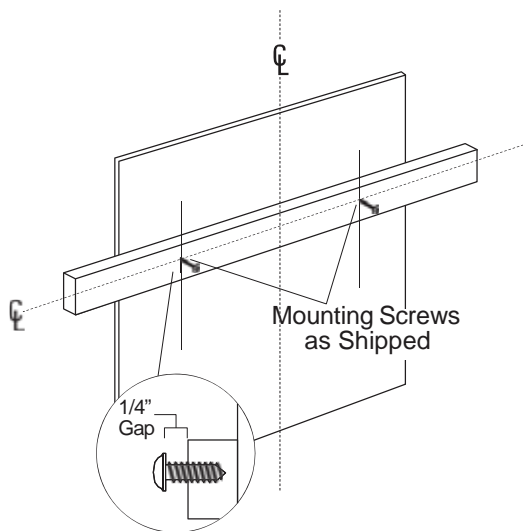
- Locate at least 2 vertical studs at the wood support.
- Center the supplied wood support, left to right and below the 16" marked line. Use the center hole in the wood support as guidance.



- Mark and drill two 3/16" holes through wood support to match stud locations.
- Secure the wood support to 2 or more vertical studs, using 2 long, square drive screws.

IMPORTANT: Screws must penetrate at least 1" into vertical studs. Countersink screws in support.

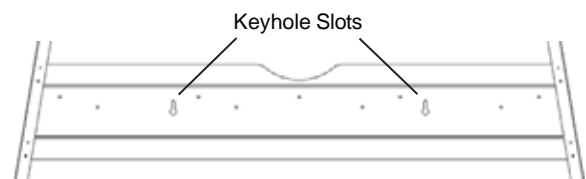
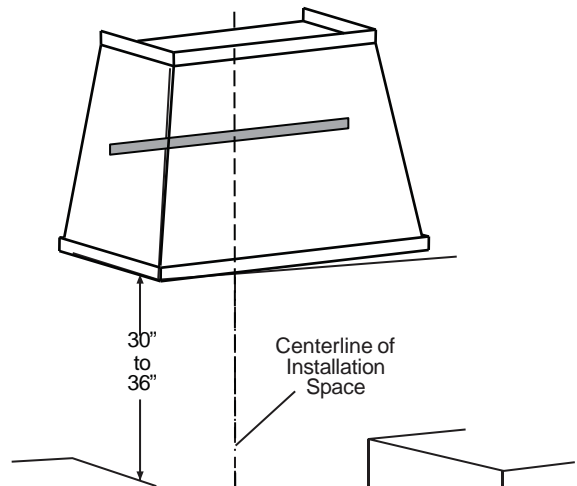
NOTE: The two supplied mounting screws must remain in their original shipping location. These screws are positioned to engage the keyhole slots in the back of the hood.



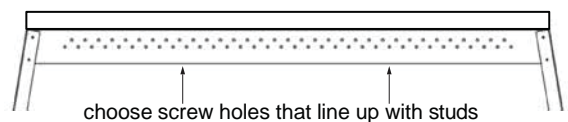
- Adjust depth of supplied mounting screws in the wood support until they protrude 1/4" forward. This 1/4" gap will provide clearance to hang the hood.

IMPORTANT: Framing must be capable of supporting up to 150 lbs.

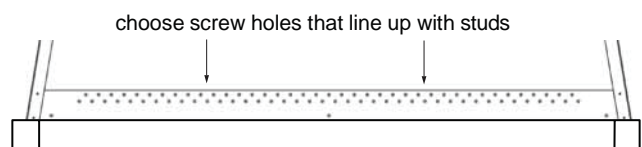
- Place the hood over the wood support. Be sure the mounting screws engage the keyhole slots in the back of the hood. Tighten the screws. Confirm hood position is correct.



- Install additional 2 short screws to secure the hood to the wood support.
- Install 2 medium phillips screws at top inside of the hood into studs. Choose the appropriate holes that line up with studs.



- Install 2 medium phillips screws at bottom of inside of hood into studs. Choose the appropriate holes that line up with studs.



Installation Instructions

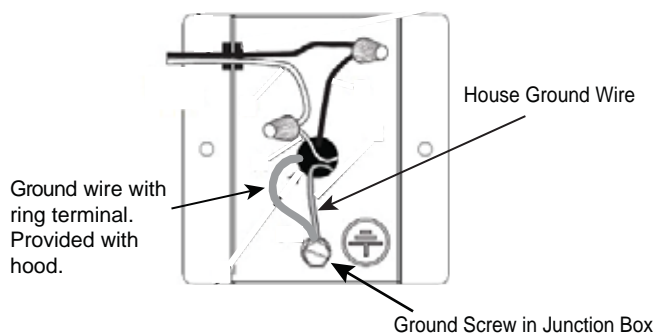
STEP 3 PREPARE CUSTOM HOOD INSERT (UVC9420) FOR INSTALLATION

Refer now to the installation instructions for the Custom Hood Insert (UVC9420) with the following exceptions:

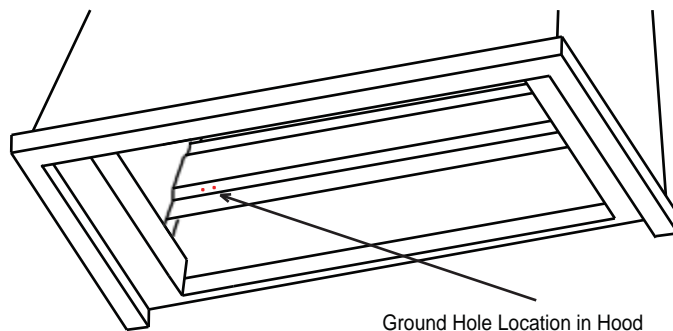
- Disregard any reference to building a custom wood canopy.
- For duct planning and electrical planning, you will need to refer to these instructions as some of the dimensions are different.

▲ WARNING

- During **Step 2 (Connect Electrical Cables)**, install the provided ground wire included in this product's hardware bag:
- Connect one end of the provided **ground wire** to the **insert ground screw** in the **insert junction box**.
- Be sure that the **house ground wire** and the **hood ground wire** are both connected to the **insert ground screw**.
- Connect the other end of ground wire to one of the hood ground holes using the provided green screw.

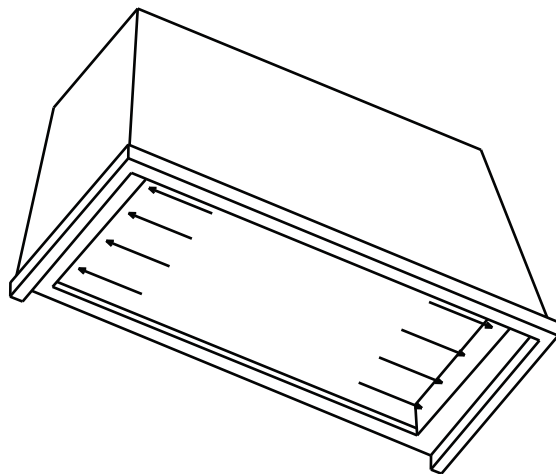


Junction Box inside the Insert



STEP 4 INSTALL HOOD INSERT INTO HOOD

- Be sure to follow the remainder of the Custom Hood Insert installation instructions to properly fasten the insert into the hood.
- Be sure to push the insert firmly up prior to driving the mounting screws. This will prevent any visible gaps between the insert and the hood.



Use screws provided with the insert to attach the insert to the hood as directed in the Insert Installation Instructions.