



# INSTALLATION INSTRUCTIONS

**36" and 48" Wall Hood**  
**ZVW1360, ZVW1480**  
**With QuietBoost™ Blower**

Para consultar una version en español  
de este manual de instrucciones, visite nuestro  
sitio de internet [monogram.com](http://monogram.com).

# Safety Information

## BEFORE YOU BEGIN

Read these instructions completely and carefully.

- **IMPORTANT** — Save these instructions for local inspector's use.
- **IMPORTANT** — Observe all governing codes and ordinances.
- **Note to Installer** – Be sure to leave these instructions with the Consumer.
- **Note to Consumer** – Keep these instructions for future reference.
- **Skill level** – Installation of this vent hood requires basic mechanical and electrical skills.
- **Completion time** – Approximately 1 to 3 hours
- **Proper installation** is the responsibility of the installer.
- **Product failure due to improper installation is not covered under the Warranty.**

**▲ CAUTION** Due to the weight and size of these vent hoods and to reduce the risk of personal injury or damage to the product, **TWO PEOPLE ARE REQUIRED FOR PROPER INSTALLATION.**

## FOR YOUR SAFETY

**▲ WARNING** Before beginning the installation, switch power off at service panel and lock the service disconnecting means to prevent power from being switched on accidentally. When the service disconnecting means cannot be locked, securely fasten a prominent warning device, such as a tag, to the service panel.

**▲ WARNING** TO REDUCE THE RISK OF FIRE, ELECTRIC SHOCK OR INJURY TO PERSONS, OBSERVE THE FOLLOWING:

- A. Installation work and electrical wiring must be done by qualified person(s) in accordance with all applicable codes and standards, including fire-rated construction.
- B. Sufficient air is needed for proper combustion and exhausting of gases through the flue (chimney) of fuel burning equipment to prevent back drafting. Follow the heating equipment manufacturer's guidelines and safety standards such as those published by the National Fire Protection Association (NFPA), the American Society for Heating, Refrigeration and Air Conditioning Engineers (ASHRAE) and the local code authorities.
- C. When cutting or drilling into wall or ceiling, do not damage electrical wiring and other hidden utilities.
- D. Ducted fans must always be vented to the outdoors.
- E. Turn off breaker to adjacent rooms while working.

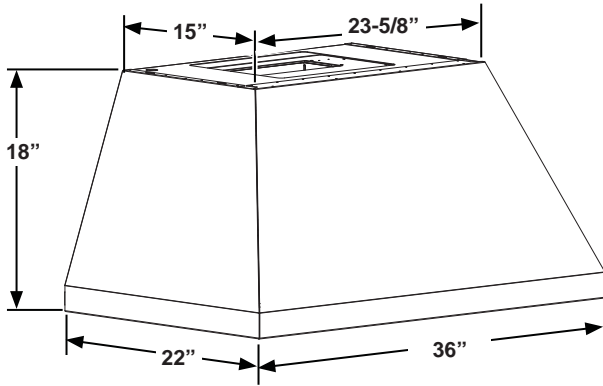
**▲ WARNING** TO REDUCE THE RISK OF FIRE, USE ONLY METAL DUCT WORK.

**▲ WARNING** Disconnect all electrical power at the main circuit breaker or fuse box before installing.

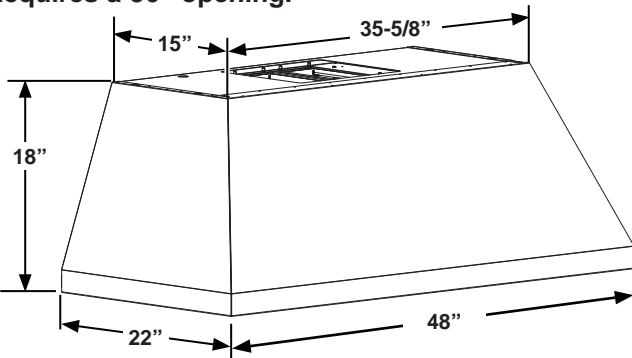
# READ AND SAVE THESE INSTRUCTIONS

# Installation Preparation

## PRODUCT DIMENSIONS



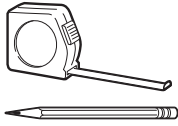
**36" Models**  
Requires a 36" opening.



**48" Models**  
Requires a 48" opening.

# Installation Preparation

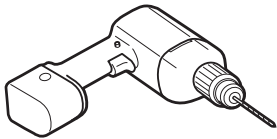
## TOOLS AND MATERIALS REQUIRED (NOT SUPPLIED)



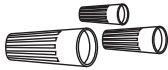
Pencil and tape measure



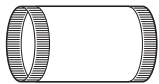
Level



Electric drill with #2 Phillips with 1/8" and 5/16" drill bits

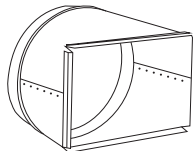


UL listed wire nuts



10" round duct

Needed for back venting only



8"x12" to 12" round duct transition



Safety glasses



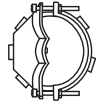
Phillips screwdriver with at least 6" shank



Wire cutter/stripper



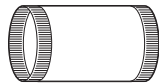
Aluminized duct tape



Strain relief for junction box, 1" diameter knockout



Gloves



12" round duct

## REMOVE THE PACKAGING

### ⚠ CAUTION

Wear gloves to protect against sharp edges.

- Remove the hood body.
- Remove the hardware bag, literature package and other boxed parts.
- Remove and properly discard the protective plastic wrapping and other packaging materials.
- Consider recycling options for your appliance packaging material.

## PLAN THE INSTALLATION

### ⚠ CAUTION

To reduce risk of fire and to properly exhaust air, be sure to duct the air outside. Do not vent exhaust air into spaces within walls or ceilings or into attics, crawl spaces, or garages.

### PARTS SUPPLIED FOR INSTALLATION

- 1 Hardware Package
- 1 Literature Package
- 1 Installation Template

### PARTS NEEDED FOR INSTALLATION

- 1 Strain Relief
- 1 Wall or Roof Cap
- All Metal Ductwork

### ⚠ WARNING

#### PERSONAL INJURY HAZARD

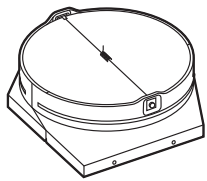
Because of the weight and size of the rangehood canopy. It is recommended that 2 people are used to install the range hood. Failure to properly lift rangehood could result in damage to the product or personal injury.

**NOTE:** Before making any cuts or holes for installation, determine which venting method will be used and carefully calculate all measurements.

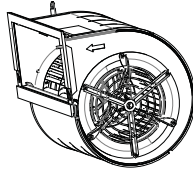
# Installation Preparation

## PARTS PROVIDED

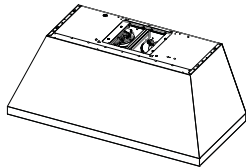
Locate the parts packed with the hood.



Top Damper



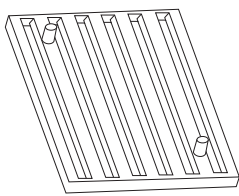
Motor  
(2 with 48" model)



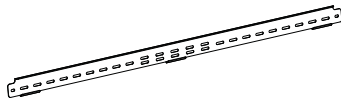
Hood Body



Grease Drip Trays



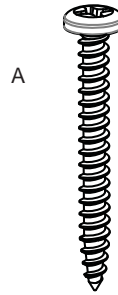
3 Baffle Filters  
(4 with 48" models)



Metal Installation Bracket

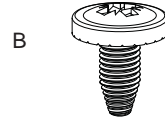
## HARDWARE PACKAGE

Locate and check contents.



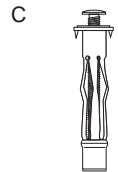
A

(QTY: 4) 8 x 1-3/4 AB screw. Used to mount the installation bar. Use 1/8" drill for pilot hole



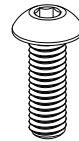
B

(QTY: 4) 2.9mm x 6mm PZ screws. Used to attach the damper



C

(QTY:2) 3/16" dry wall anchors with screws. Used for hood bottom mounting screw holes. Use 5/16" drill for pilot hole.



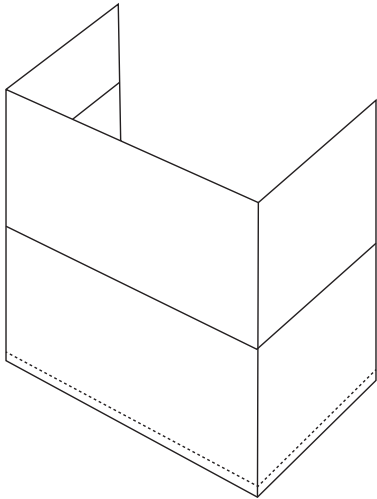
D

(QTY: 4 or 8) M4 screws. Used to mount motor

# Installation Preparation

## DUCT COVER REQUIREMENTS

Duct cover kits must be purchased separately. We recommend that the vent hood and duct cover (if used) be on site before final framing and wall finishing. This will help to accurately locate studs, ductwork and electrical service.



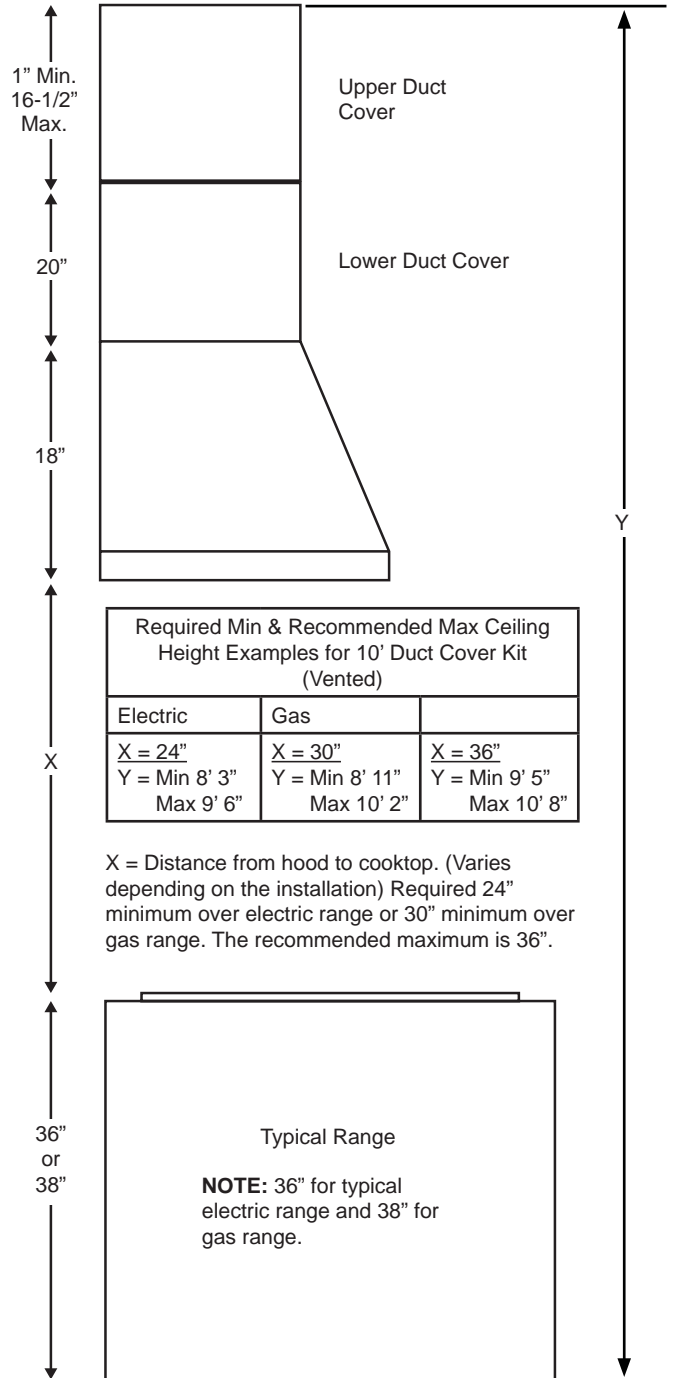
- Duct cover accessory comes with a lower and upper duct cover and installation hardware.
- The installation hardware includes mounting brackets to secure duct covers to the wall.
- The lower duct cover alone can be used and must be secured with the duct cover bracket.
- See table below for duct cover kit part numbers based on model.

Model	Duct Cover #	Max Ceiling Installation
36" Model	ZX8D13SPSS	8' 4"
	ZX10D13SPSS	10' 8"
	ZX12D13SPSS	12' 8"
48" Model	ZX8D14SPSS	8' 4"
	ZX10D14SPSS	10' 8"
	ZX12D14SPSS	12' 8"

- See the next page for duct cover installation height information.

## INSTALLATION DIMENSIONS

The hood duct covers can be adjusted for different ceiling heights depending on the distance between the bottom of the hood and the cooktop (distance X). See Installation Height Table.



# Installation Preparation

## INSTALLATION HEIGHT TABLE

Ceiling Height (ft./in.)	ZX8D13SPSS OR ZX8D14SPSS		Ceiling Height (ft./in.)	ZX10D13SPSS OR ZX10D14SPSS		Ceiling Height (ft./in.)	ZX12D13SPSS OR ZX12D14SPSS	
	Installation Over Gas Range	Installation Over Electric Range		High Ceiling Duct Cover up to 10 ft.	High Ceiling Duct Cover up to 12 ft.		Installation Over Gas Range	Installation Over Electric Range
7' 0"		24	8' 3"		24	9' 4"		24
7' 1"		24-25	8' 4"		24-25	9' 5"		24-25
7' 2"		24-26	8' 5"		24-26	9' 6"		24-26
7' 3"		25-27	8' 6"		24-27	9' 7"		24-27
7' 4"		26-28	8' 7"		24-28	9' 8"		24-28
7' 5"		27-29	8' 8"		24-29	9' 9"		24-29
7' 6"		28-30	8' 9"		24-30	9' 10"		24-30
7' 7"		29-31	8' 10"		24-31	9' 11"		24-31
7' 8"	30	30-32	8' 11"	30	24-32	10' 0"	30	24-32
7' 9"	30-31	31-33	9' 0"	30-31	24-33	10' 1"	30-31	24-33
7' 10"	30-32	32-34	9' 1"	30-32	24-34	10' 2"	30-32	24-34
7' 11"	31-33	33-35	9' 2"	30-33	24-35	10' 3"	30-33	24-35
8' 0"	32-34	34-36	9' 3"	30-34	24-36	10' 4"	30-34	24-36
8' 1"	33-35	35-36	9' 4"	30-35		10' 5"	30-35	
8' 2"	34-36	36	9' 5"	30-36		10' 6"	30-36	
8' 3"	35-36		9' 6"			10' 7"		
8' 4"	36		9' 7"		10' 8"			
			9' 8"		10' 9"			
			9' 9"		10' 10"			
			9' 10"		10' 11"			
			9' 11"		11' 0"			
			10' 0"		11' 1"			
			10' 1"	11' 2"				
			10' 2"	11' 3"				
			10' 3"	11' 4"	30-36			
			10' 4"	11' 5"	30-36			
			10' 5"	11' 6"				
			10' 6"	11' 7"				
			10' 7"	11' 8"				
			10' 8"	11' 9"				
			11' 10"	11' 10"				
			11' 11"	11' 11"				
			12' 0"	12' 0"				
			12' 1"	12' 1"	30-36			
			12' 2"	12' 2"	31-36			
			12' 3"	12' 3"	32-36			
			12' 4"	12' 4"	33-36			
			12' 5"	12' 5"	34-36			
			12' 6"	12' 6"	35-36			
			12' 7"	12' 7"	36			
			12' 8"	12' 8"				

# Installation Preparation

## ADVANCE PLANNING

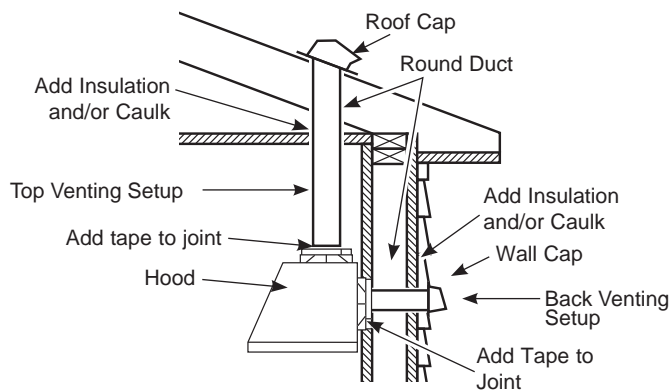
### Duct Install Planning

- This hood is designed to be vented vertically through the ceiling with a 10" round duct or, horizontally through a wall with an 8"x12" duct transition and 12" round duct.
- Use metal ductwork only.
- Plan the route for venting exhaust to the outdoors. To maximize the ventilation performance of the vent system:
  1. Minimize the duct run length and number of transitions and elbows.
  2. Maintain a constant duct size.
  3. Seal all joints with duct tape to prevent any leaks.

**NOTE: Flexible vent is not recommended. Flexible vent creates back pressure and air turbulence that greatly reduces performance.**

- **Maximum equivalent duct length for 100 CFM: 150 foot for vent hoods.**
- Install a wall cap or roof cap with damper at the exterior opening. Purchase the wall or roof cap and any transition and length of duct needed in advance.
- When applicable, install any makeup (replacement) air system in accordance with local building code requirements. 10" round duct universal make up air kit can be purchased locally.

**Vent system can terminate either through the roof or the wall.**



## POWER SUPPLY

**IMPORTANT – (Please read carefully)**

### ⚠ WARNING

**FOR PERSONAL SAFETY, THIS APPLIANCE MUST BE PROPERLY GROUNDED.**

Remove house fuse or open circuit breaker before beginning installation.

Do not use an extension cord or adapter plug with this appliance. Follow National Electrical Codes or prevailing local codes and ordinances.

### Electrical supply

These vent hoods must be supplied with 120V, 60Hz, and connected to a properly grounded branch circuit, and protected by a 15 or 20 amp circuit breaker or time delay fuse.

- Wiring must be 2 wire with ground.
- If the electrical supply does not meet the above requirements, call a licensed electrician before proceeding.
- Route house wiring as close to the installation location as possible in the ceiling or wall.
- Connect the wiring to the house wiring in accordance with local codes.

### Grounding instructions

The grounding conductor must be connected to a ground metal, permanent wiring system, or an equipment-grounding terminal or lead on the hood.

### ⚠ WARNING

The improper connection of the equipment-grounding conductor can result in a risk of electric shock. Check with a qualified electrician or service representative if you are in doubt whether the appliance is properly grounded.



# Installation Preparation

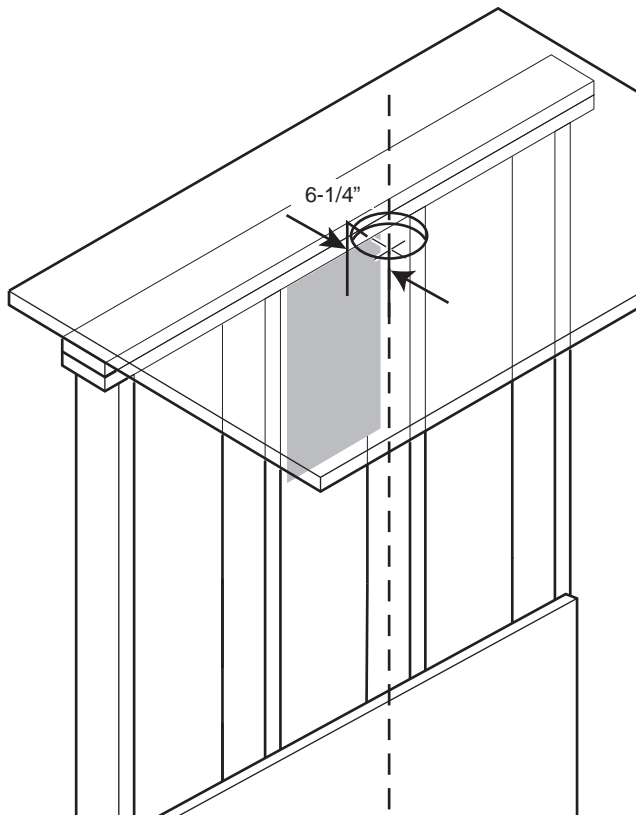
## NEW CONSTRUCTION, PRE-PLANNING, OR REMODELING

**NOTE:** For existing instruction, skip to the next section.

### FOR TOP VENTING

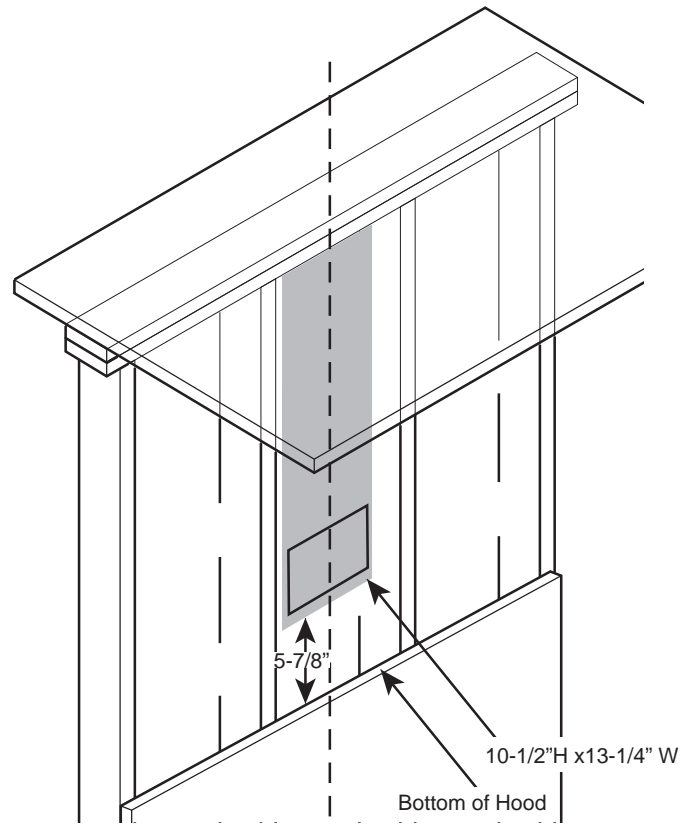
- For ducted installation through the top, the 10" diameter hole for the duct in the ceiling must be centered 6-1/4" away from the finished rear wall in the installation space.

- The hood junction box knockout is located 10-1/2" to the left from center of the hood. Ensure enough wire length is available to make electrical connection.



### FOR BACK VENTING

- For ducted installation through the back, the 10-1/2"H x 13-1/4"W cut out for the duct in the wall must be centered in the installation space, left to right and located 5-7/8" above intended install height from bottom of the hood.



# Installation Preparation

## DETERMINE HOOD, DUCTWORK AND WIRING LOCATIONS

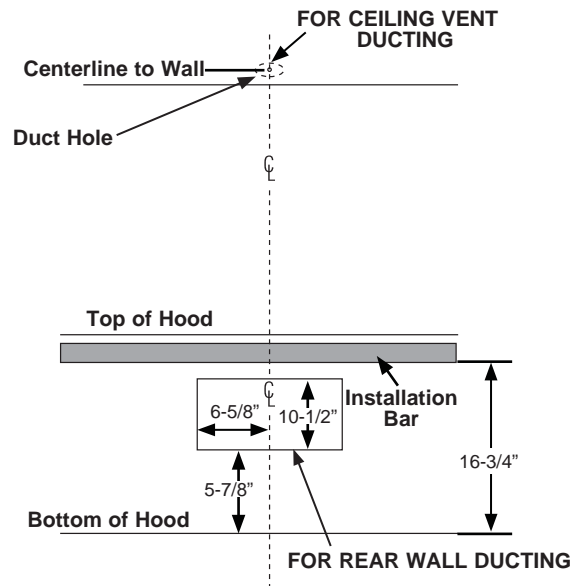
- This hood can be installed onto the wall or underneath the soffit.
- For installing the hood to soffit, refer to page 12 for alternate mounting method.
- A wall mounting template is included with the product for ease of installation. Follow the instructions below if the template is not being used.
- Measure desired distance from the bottom of the hood to the cooking surface, 24" minimum over electric range or 30" minimum over gas range and 36" recommended maximum.
- Use a level to draw the cooktop centerline location.
- Measure 16-3/4" up from the horizontal line indicating the bottom of the hood. Draw another horizontal line to indicate the bottom of the installation bar.
- Use a level to draw the cooktop or range centeline location.

### For Ceiling Ducting:

- If venting out the ceiling, extend the centerline forward on the ceiling to the back wall.
  - Measure 6-1/4" from back wall to mark center point.
  - Cut 10" dia. duct hole from center point on the ceiling.

### Venting Through a Soffit:

- Follow the same procedure for ceiling ducting to cut the hole through the top of the soffit.



### For Ducting Through Rear Wall:

**NOTE:** Check to make sure back damper will not interfere with studs, electrical or plumbing before making cut out.

- Back damper accessory UXBDA812 must be purchased separately for venting through the rear wall.
- Measure 5-7/8" up along the centerline from the horizontal line indicating bottom of the hood.
- Make an 10-1/2"x13-1/4" cut out centered left to right along the centerline.

### House Wiring Location:

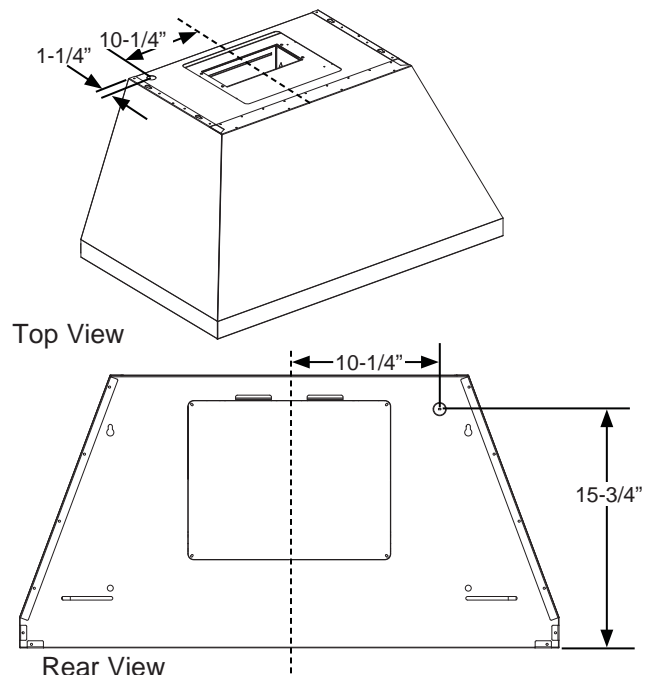
- The junction box is located inside the hood body on the left side. See Illustrations for hood knockout locations. House wiring may enter the junction box from the rear or the top of the hood on the left side.

### To route house wiring through the ceiling or soffit:

- Cut a hole approximately 1-1/4" dia. forward on the ceiling 10-1/4" to the left of the centerline.

### To route house wiring through the wall:

- NOTE:** For back venting, the house wiring must be routed through the rear knockout so it is hidden.
- Measure 15-3/4" from the bottom of the hood and mark location
  - Cut a hole approximately 1-1/4" dia. at the marked location at a distance 10-1/4" to the left of the centerline based on table below.
  - Remove top or rear knockout depending on your installation.

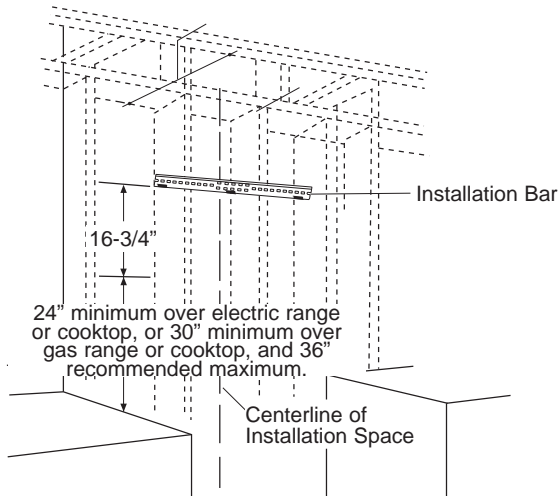


# Installation

## 1 INSTALL HOOD SUPPORT

**IMPORTANT:** Framing must be capable of supporting 100 lbs for 36" models and 150 lbs for 48" models.

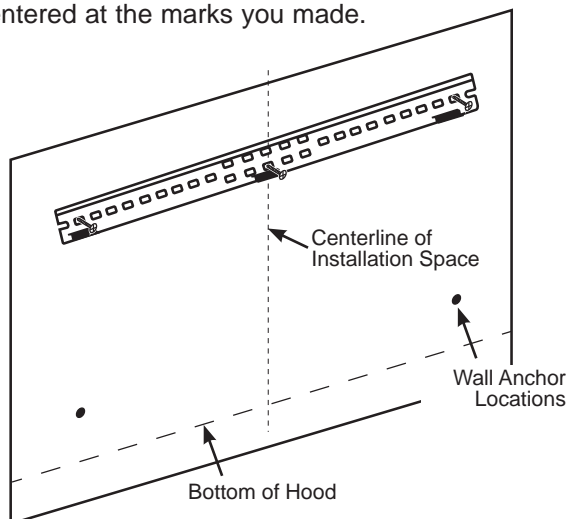
- Locate a minimum of 2 vertical studs for the installation bar by tapping drywall with a hammer or use a stud finder.
- Level the installation bar and center left to right above the marked line. Hold bar against the wall.



- Drill 1/8" pilot holes at the 2 vertical stud locations through holes in the installation bracket. Secure the installation bar with supplied screws (A) as shown above.

### Drill Bottom Mounting Hole Locations:

- Hang hood on installation bar to mark anchor locations. Mark hole locations through the back of the hood.
- If installing to the soffit or cabinet, hold the hood flush to the soffit or cabinet to mark screw hole locations
- Remove the hood and drill 5/16" clearance holes centered at the marks you made.



## 1 INSTALL HOOD SUPPORT (Cont.)

- Install wall anchors (C) by tapping the anchors with a hammer to seat the teeth of the flanges into the wall. This keeps anchor from rotating.
- Drive the anchor screws until the barrels crimp against the inside of the wall.
- Remove the screws from the wall anchors before installing the hood.

## 2 INSTALL DAMPER

**IMPORTANT:** Remove shipping tape from damper and check that damper moves freely.

### Install Top Damper:

- The motor mounting plate comes pre-installed in the hood for top venting.
- Install the top damper to the hood body as shown in Figure A using screws (B) from top of hood.

Figure A

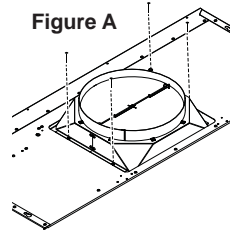
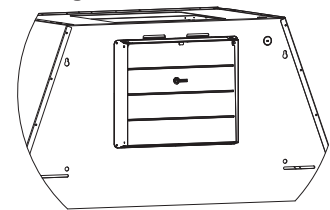


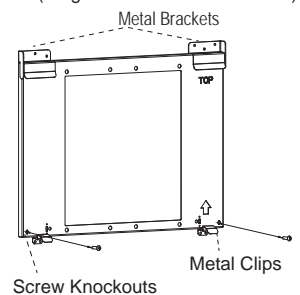
Figure B



### Install Back Damper:

- In case of back venting through the wall, back damper accessory UXBDA812 must be purchased separately.
- Remove the square knockout panel on hood body for back venting.
- Install the back damper to the hood body as shown in Figure B using screws provided with the accessory.
- Uninstall the motor mounting plate from top venting position. Save the screws.
- Install the metal plate provided with the accessory to cover the opening for top damper.
- Remove the two screw knockout holes on the motor mounting plate as shown in Figure C.
- Install the motor mounting plate so that arrow is pointing upwards and on right side.
- Slide plate into the metal brackets and push in until metal clips at the bottom engage.
- Fasten the plate through the two screw hole knockouts as shown in Figure C. Use the two screws you saved.

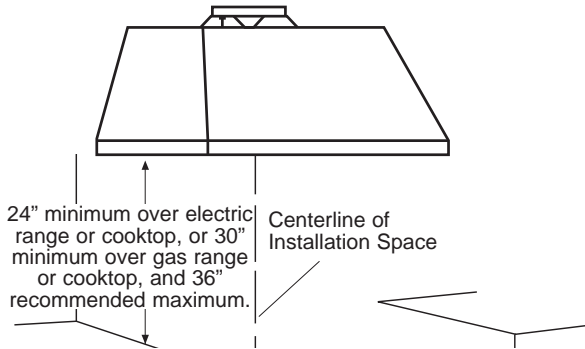
Figure C (Single motor will look different)



# Installation

## 3 INSTALL HOOD ONTO WALL

- Pull house wiring through knockout at the back or top of the hood.
- Lift the hood and place over the hooks on the installation bar. Allow the hood to slide down into position.
- Check to be sure the hood is level and centered.
- Tighten wall anchor screws (C) to finish hood body installation to the wall.
- Remove cover from junction box inside the hood.



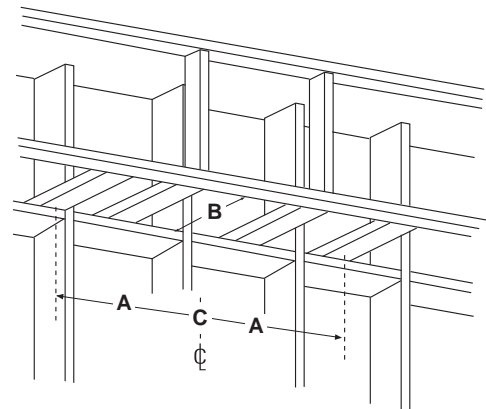
## 4 (Alternate Mounting Method) INSTALL HOOD TO SOFFIT

### SKIP THIS STEP IF USING WALL MOUNTING METHOD

**IMPORTANT:** Soffit framing must be capable of supporting 100 lbs for 36" models and 150 lbs for 48" models.

When necessary the hood may be installed so that it is supported by the soffit.

- The soffit should be constructed with 2"x4"s.
- Use a level to draw the cooktop or range center line.
- Continue the centerline forward on the bottom of the soffit.
- Install horizontal wood supports between the 2"x4", at distance A to the left and right, as per the table below.

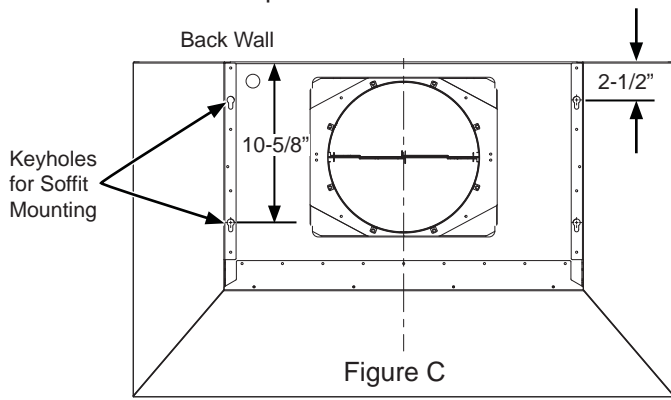


	"A" Centerline to Center Stud	"B" Opening for Ductwork for top venting	"C" Opening for Ductwork for back venting
36" Models	11-3/8"	10-5/8" H x 11-1/4" W	10-1/2" H x 13-1/4" W
48" Models	17-3/8"		

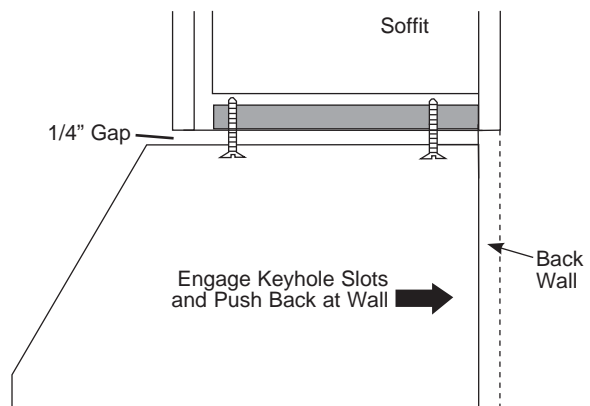
# Installation

## 4 (Alternate Mounting Method) INSTALL HOOD TO SOFFIT (Cont.)

- Drill two 1/8" pilot holes at a distance of 10-5/8" from the back wall in the horizontal wood supports. This is the vertical distance between mounting keyholes and back wall as shown in Figure C.
- Drill two more 1/8" pilot holes at a distance of 2-1/2" from the back wall in the horizontal wood supports. This is the vertical distance between mounting screw holes and back wall as shown in Figure C.
- For top venting, allow minimum opening (Dim. B) to accommodate damper in soffit.
- For back venting, allow minimum opening (Dim. C) to accommodate damper in back wall

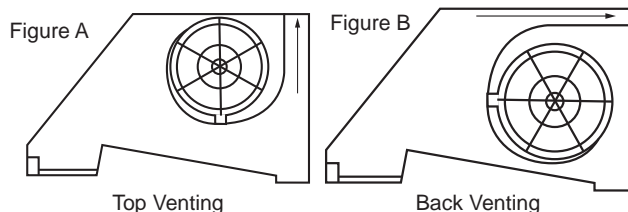


- Drive mounting screws (A) into the studs until they protrude 1/4". This 1/4" gap will provide clearance to engage the keyhold slots in the top of the hood.
- The hood must also be secured to the back wall. Follow instruction on page 11, "**Drill Bottom Mounting Hole Locations**" for installation to the back wall.
- Follow instructions on page 10 "**House Wiring Locations**" for wiring setup.
- Lift hood onto mounting screws. Slide back against the rear wall.
- Pull house wiring through the knockout at the rear or top of the hood.
- Tighten mounting screws (E).
- Once the hood is secured to the soffit, drive screws (C) to secure the hood to the back wall.

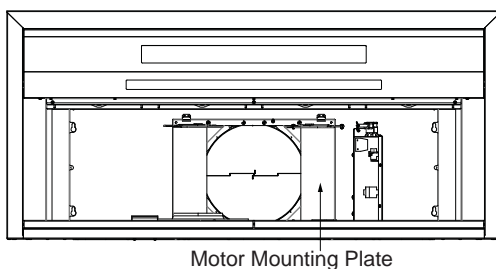


## 5 INSTALL MOTOR

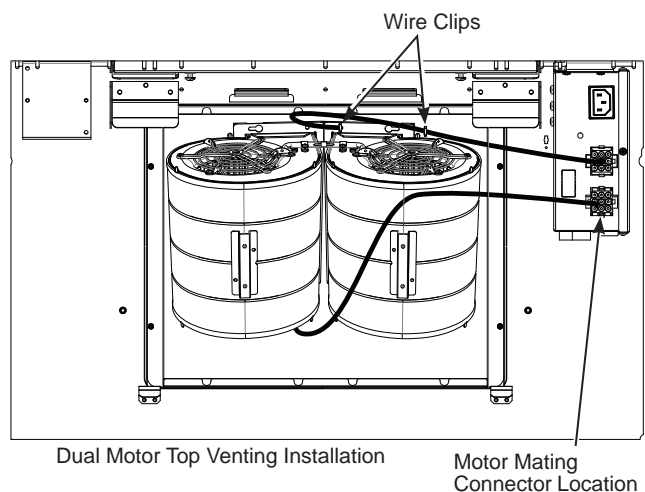
- I) Align the motor exhaust with the top damper as shown in the Figure A for top venting. In case of back venting, rotate the motor 90° to align with the back damper as shown in Figure B.



- II) Secure the motor to motor mounting plate using screws (D).



- III) Plug the motor connector into the mating connector on top of the control housing.
- IV) Repeat steps I through III for dual motor models.
- V) For dual motor models, secure the right side motor wire to wire clips as shown in image below.



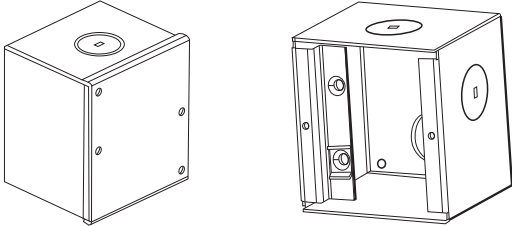
# Installation

## 6 CONNECT ELECTRICAL

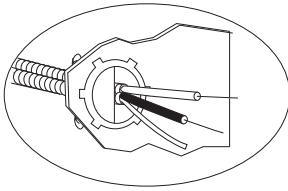
Verify that power is turned off at the source.

**⚠ WARNING** If house wiring is not 2-wire with a ground wire, a ground must be provided by the installer. When house wiring is aluminum, be sure to use UL approved anti-oxidant compound and aluminum-to-copper connectors.

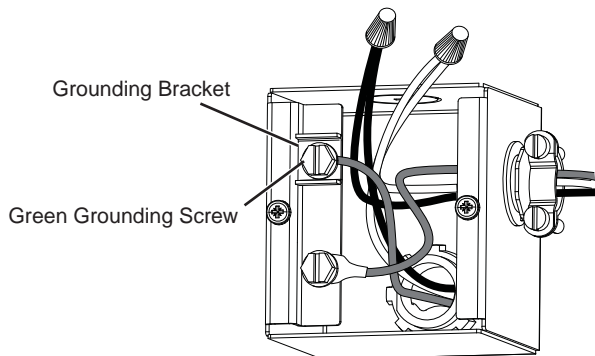
- Remove junction box cover.



- Pull the house wiring through the knockout at the top or back of the hood and secure with the strain relief.



- Use UL listed wire nuts to connect incoming white to white, and black to black wires.
- Loosen the green grounding screw (with grounding bracket) in the junction box. Loop solid copper house wire clockwise around the green grounding screw and above the bracket. Firmly tighten the screw over the loop.

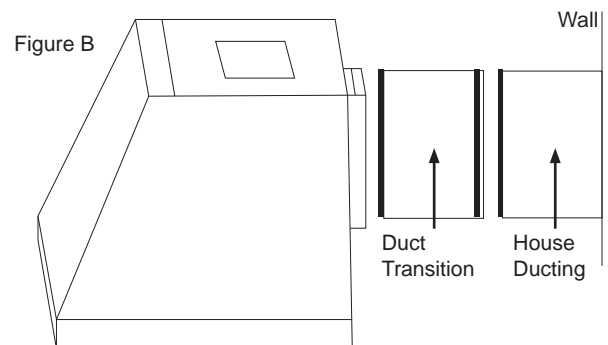
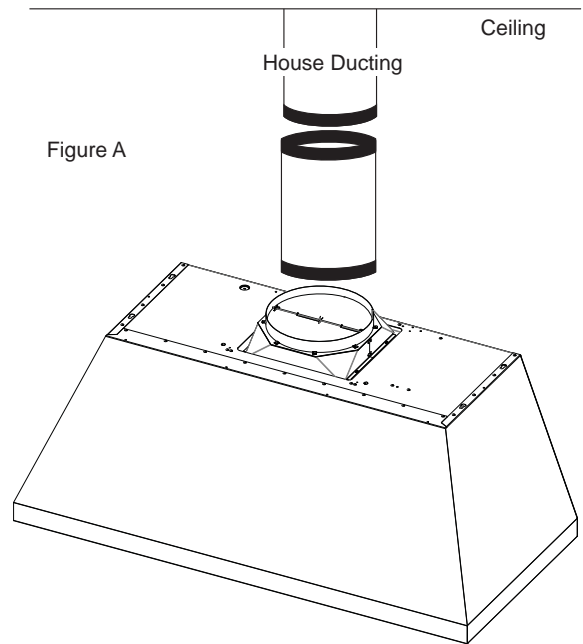


- Replace junction box cover and ensure wires are not pinched.

**NOTE:** For corded installation:  
Use only with rangehood cord-connection kits that have been investigated and found acceptable for use with this model rangehood.

## 7 CONNECT DUCTWORK

- Connect the house ducting to the top damper as shown in Figure A.
- For back venting, connect the transition piece to the back damper and the house ducting to the transition as shown in Figure B.
- Seal all connections with duct tape.



**⚠ CAUTION** Do not use sheet metal screws at the transition to ductwork connection. Doing so will prevent proper damper operations. Seal connection with tape only.

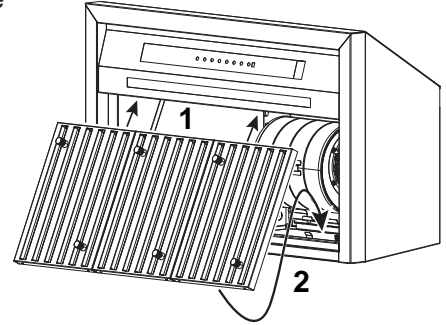
# Installation

## 8 INSTALL DUCT COVERS

- Refer to section “**Duct Cover Requirements**” on page 6 for duct cover accessory part numbers.
- Follow instructions included with the duct cover accessory to install duct covers.

## 9 INSTALL GREASE TRAYS AND FILTERS

- Remove protective film.
- Place grease drip trays into slots.
- Install the baffle filters.
- Refer to the Use & Care manual for further instructions to install grease drip trays and baffle filters.



## MAKE UP AIR TECHNOLOGY

This operation must be performed by a qualified technician or installer.

**Note to Installers and Inspectors:** This product comes equipped with a simple installation feature that limits maximum CFM levels in order to comply with certain local codes or regulations. This installation method may not be necessary for all installations, please refer to your local codes for further guidelines.

This makeup air feature applies to single motor models only.

### ⚠ CAUTION

Hood must be disconnected from main power prior performing the conversion instructions listed below. Failure to do so could result in personal injury or damage to the product.

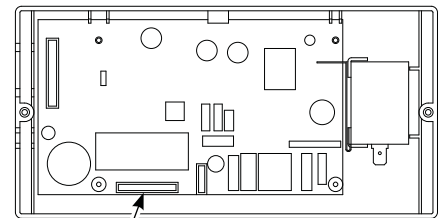
To modify unit (if needed for local codes):

### 390CFM

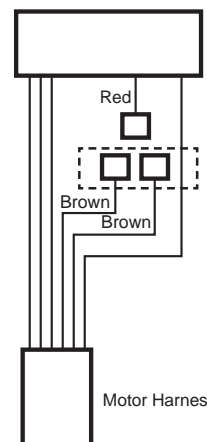
By design, the maximum blower speed is greater than 400 CFM. For local codes requiring reduced CFM, modify the wiring as described below:

1. Remove the Baffle filters.
2. Disconnect all the harnesses from the top of control box on right side of motor
3. Loosen the screws on top of control box and slide out to remove it from the hood
4. Uninstall the control box cover
5. For a maximum of 390 CFM Unit can operate with 4 speeds (Low, Medium, High, Boost).
  - i. Disconnect connectors of the **BROWN** wire.
  - ii. Remove the cap attached to the connector of the **RED** wire.
  - iii. Connect the mating connector of the **BROWN** wire and the **RED** wire.
  - iv. Attach the cap to the open **BROWN** wire connector.
6. Reinstall control box cover and secure control box to the bracket in the hood using the two screws
7. Connect all harnesses on top of the control box
8. Reinstall filters.

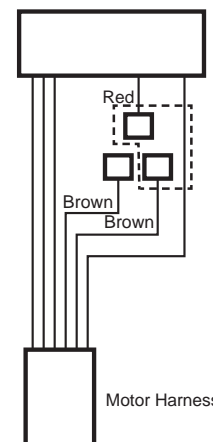
**Note to Inspectors:** To verify this product installation, check motor wiring connections as described above.



Motor Harness Connector



Factory Installed Wiring Setup



Max 390 CFM Boost Wiring Setup

**NOTE: While performing installations described in this book, safety glasses or goggles should be worn.**

**NOTE: Product improvement is a continuing endeavor at Monogram. Therefore, materials, appearance and specifications are subject to change without notice.**



**MONOGRAM**





# INSTRUCCIONES DE INSTALACIÓN

**Campana de Pared de 36" y 48"**

**ZVW1360, ZVW1480**

**Con Extractor QuietBoost™**

ESPAÑOL

# Safety Information

## ANTES DE COMENZAR

Lea estas instrucciones por completo y con detenimiento.

- **IMPORTANTE** — Guarde estas instrucciones para el uso de inspectores locales.
- **IMPORTANTE** — Cumpla con todos los códigos y ordenanzas vigentes.
- **Nota al instalador** – Asegúrese de dejar estas instrucciones con el Consumidor.
- **Nota al consumidor** – Conserve estas instrucciones para referencia futura.
- **Nivel de capacidad** – La instalación de esta campana de ventilación requiere capacidades mecánicas y eléctricas básicas.
- **Tiempo de completión** – Aproximadamente entre 1 y 3 horas
- El instalador tiene la responsabilidad de efectuar una instalación adecuada.
- La Garantía no cubre las fallas del producto debido a una instalación incorrecta.

## ⚠PRECAUCIÓN

Debido al peso y tamaño de estas campanas de ventilación, y a fin de reducir el riesgo de lesiones personales o daños sobre el producto - SE DEBERÁ CONTAR CON DOS PERSONAS PARA UNA INSTALACIÓN ADECUADA.

## PARA SU SEGURIDAD

### ⚠ADVERTENCIA

Antes de comenzar la instalación, desconecte la energía del panel de servicio y bloquee los medios de desconexión para evitar el accionamiento de la energía de manera accidental. Cuando los medios de desconexión de servicio no pueden bloquearse, coloque sobre el panel de servicio un dispositivo de advertencia bien visible, como una etiqueta.

## ⚠ADVERTENCIA

**PARA REDUCIR EL RIESGO DE INCENDIO, DESCARGA ELÉCTRICA O LESIONES A PERSONAS, CUMPLA CON LOS SIGUIENTES PUNTOS:**

- A. El trabajo de instalación y el cableado eléctrico deben ser realizados por una persona(s) calificada de acuerdo con todos los códigos y estándares aplicables, incluyendo construcciones resistentes al fuego.
- B. Es necesario contar con suficiente cantidad de aire para una combustión y salida de gases adecuadas a través del conducto (chimenea) del equipo de consumo de combustible, a fin de evitar ráfagas de aire. Siga las pautas del fabricante del equipo de calefacción y los estándares de seguridad, tales como aquellos publicados por la Asociación Nacional de Protección contra Incendios (National Fire Protection Association, NFPA), la Sociedad Estadounidense para la Calefacción (American Society for Heating), los Ingenieros de Refrigeración y Acondicionadores de Aire (Refrigeration and Air Conditioning Engineers, ASHRAE) y las autoridades de los códigos locales.
- C. Al cortar o perforar una pared o un cielorraso, no dañe el cableado eléctrico y de otros servicios ocultos.
- D. Los ventiladores con conducto siempre deben contar con ventilación hacia el exterior.
- E. Desconecte el disyuntor de habitaciones adyacentes mientras esté trabajando.

## ⚠ADVERTENCIA

**A FIN DE REDUCIR EL RIESGO DE INCENDIOS, USE SÓLO CONDUCTOS DE METAL.**

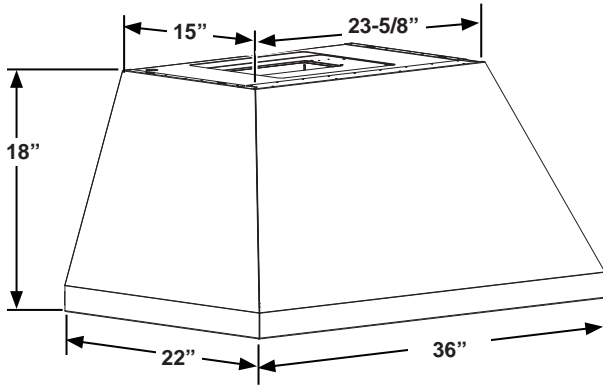
## ⚠ADVERTENCIA

**Desconecte toda la corriente eléctrica del disyuntor principal o de la caja de fusibles antes de la instalación.**

**READ AND SAVE THESE INSTRUCTIONS**

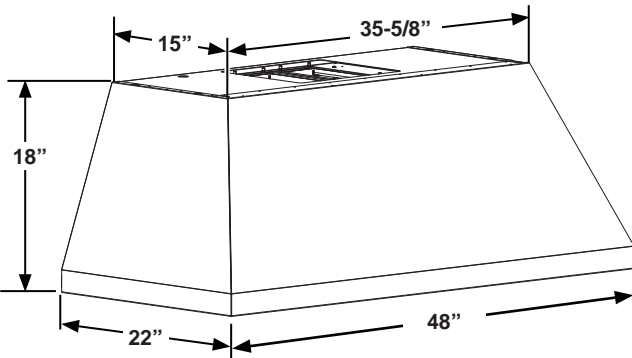
# Preparación para la instalación

## DIMENSIONES DEL PRODUCTO



Modelos de 36"

Requiere una abertura de 36".

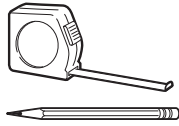


Modelos de 48"

Requiere una abertura de 48".

# Preparación para la instalación

## HERRAMIENTAS Y MATERIALES REQUERIDOS (NO SUMINISTRADOS)



Lápiz y cinta métrica



Gafas de seguridad



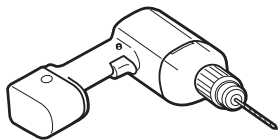
Destornillador Phillips con un vástago de por lo menos 6".



Nivel



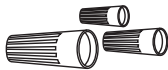
Alicate pelacables



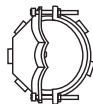
Taladro eléctrico con brocas Phillips nº 2 y de 1/8" y 5/16"



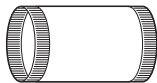
Cinta aislante de aluminio



Tapones de alambre aprobados por UL



Amortiguador de refuerzo para caja de empalmes, separador de 1" de diámetro

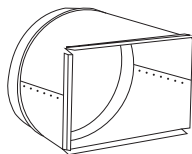


Conducto cilíndrico de 10"

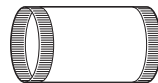


Guantes

Necesario para la ventilación trasera únicamente



Transición del conducto cilíndrico de 8" x 12" a 12"



Conducto cilíndrico de 12"

## QUITE EL ENVOLTORIO

### ⚠ PRECAUCIÓN

Se guantes para protegerse de los bordes afilados.

- Retire el cuerpo de la campana.
- Quite la bolsa de piezas, el paquete de instrucciones y otras piezas en cajas.
- Quite y descarte adecuadamente el envoltorio plástico de protección y otros materiales de empaque.
- Tenga en cuenta las opciones de reciclaje del material de embalaje de su electrodoméstico.

## PLAN DE INSTALACIÓN

### ⚠ ADVERTENCIA

A fin de reducir riesgos de incendios y para que el aire salga de forma apropiada, asegúrese de que el aire sea conducido hacia fuera. No ventile el aire de la salida hacia espacios dentro de paredes o cielorrasos o áticos, espacios muy bajos o garajes.

### PIEZAS PROVISTAS PARA LA INSTALACIÓN

- 1 Paquete de Herramientas
- 1 Paquete Escrito
- 1 Plantilla de Instalación

### PIEZAS NECESARIAS PARA LA INSTALACIÓN

- 1 Amortiguador de Refuerzo
- Una Tapa de Pared o Techo
- Toda la Tubería Metálica

### ⚠ ADVERTENCIA

#### ! RIESGO DE LESIONES PERSONALES

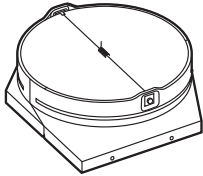
Debido al peso y tamaño de la base de la campana extractora. Es recomendable que la campana extractora sea instalada por 2 personas. Si la campana no es elevada de forma correcta, se podrán producir daños sobre el producto o lesiones personales.

**NOTA:** Antes de realizar cualquier corte o agujero para la instalación, determine qué método de ventilación será usado y con cuidado calcule todas las medidas.

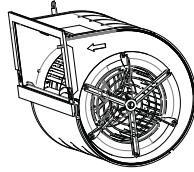
# Preparación para la instalación

## PIEZAS PROVISTAS

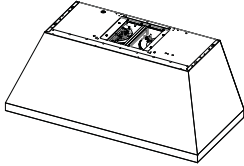
Ubique las partes embaladas con la campana.



Regulador Superior



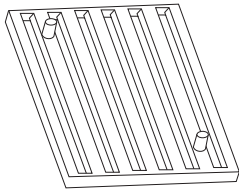
Motor (2 con el modelo de 48")



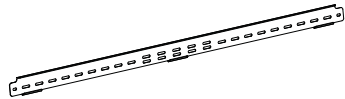
Cuerpo de la Campana



Bandeja de Goteo de Grasa



3 Filtros de Deflector (4 con los modelos de 48")



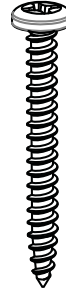
Soporte de Instalación Metálico

## PAQUETE DE MATERIALES

Ubique y controle los contenidos.



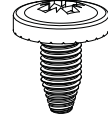
A



(Cant.: 4) Tornillos 8 x 1-3/4 de AB

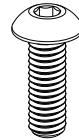
Usados para montar la barra de instalación. Use una broca de 1/8" para el agujero piloto.

B



(Cant.: 4) Tornillos PZ de 2.9mm x 6mm. Usados para adherir el regulador

D



(Cant.: 4 u 8) Tornillos M4. Usados para montar el motor

C

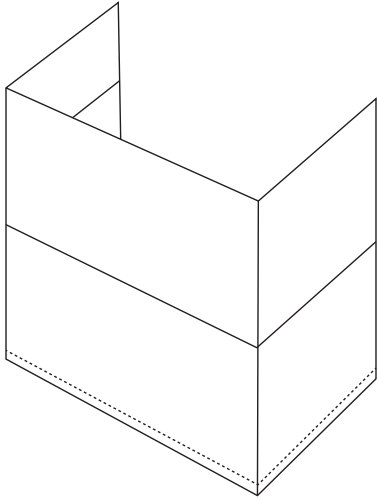


(Cant.: 2) Anclajes para pared de yeso de 3/16" con tornillos. Usados para los agujeros de los tornillos de montaje inferiores. Use una broca de 5/16" para el agujero piloto.

# Preparación para la instalación

## REQUISITOS SOBRE LA TAPA DEL CONDUCTO

Los kits para la tapa del conducto se deberán adquirir aparte. Le recomendamos que la campana de ventilación y la tapa del conducto (de ser usadas) estén en sus posiciones antes del enmarcado final y el acabado de pared. Esto ayudará a ubicar los montantes, el conducto y el cableado eléctrico de forma precisa.



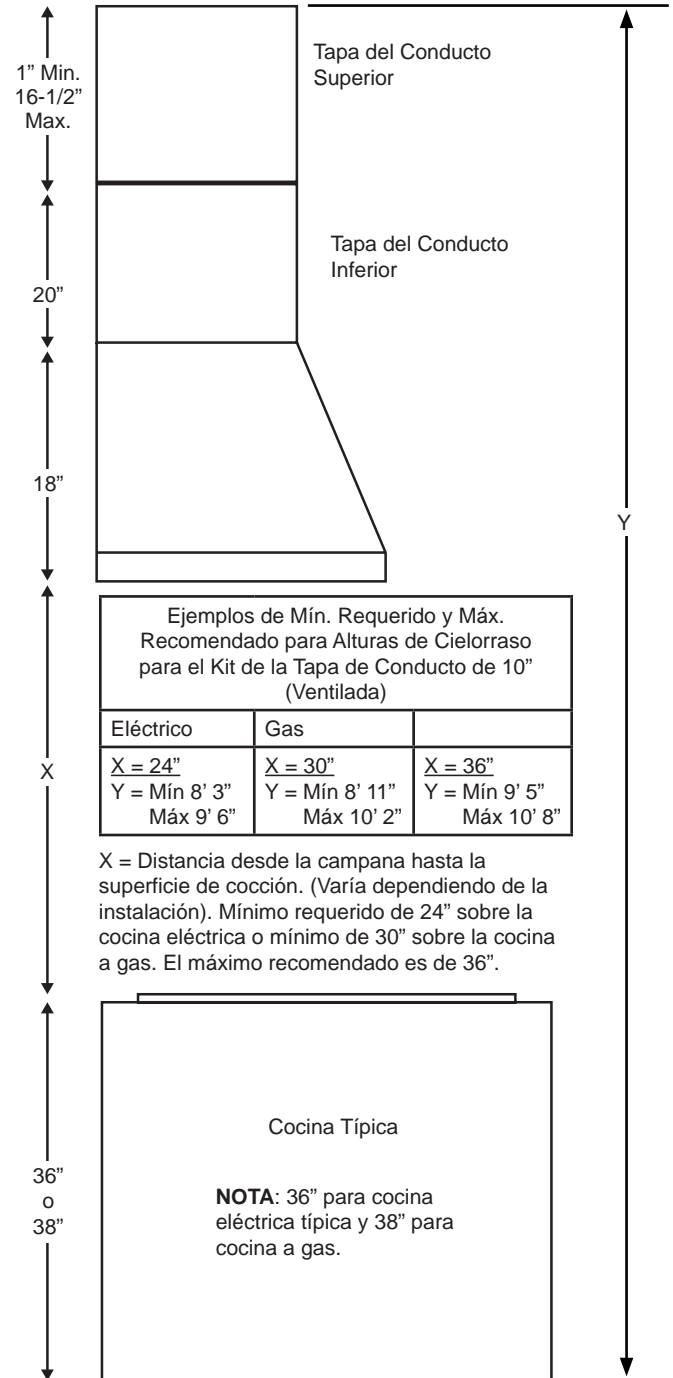
- El accesorio de la tapa del conducto se incluye con una tapa de conducto inferior o superior y con los materiales para la instalación.
- Los materiales de instalación incluyen soportes de montaje para asegurar las tapas del conducto a la pared.
- La tapa del conducto inferior se podrá usar sola y se deberá asegurar con el soporte de la tapa del conducto.
- Consulte los números de piezas del kit de la tapa del conducto a continuación en base a su modelo.

Modelo	Nº de la Tapa del conducto	Instalación Máx. en Cielorraso
Modelo de 36"	ZX8D13SPSS	8' 4"
	ZX10D13SPSS	10' 8"
	ZX12D13SPSS	12' 8"
Modelo de 48"	ZX8D14SPSS	8' 4"
	ZX10D14SPSS	10' 8"
	ZX12D14SPSS	12' 8"

- Consulte en la siguiente página información sobre la altura de instalación de la tapa del conducto.

## DIMENSIONES DE LA INSTALACIÓN

Las tapas de los conductos de las campanas pueden ser ajustadas en diferentes alturas de cielorrasos, dependiendo de la distancia entre la parte inferior de la campana y la superficie de cocción (distancia X). Consulte la Tabla de Alturas de Instalación.



X = Distancia desde la campana hasta la superficie de cocción. (Varía dependiendo de la instalación). Mínimo requerido de 24" sobre la cocina eléctrica o mínimo de 30" sobre la cocina a gas. El máximo recomendado es de 36".

# Preparación para la instalación

## TABLA DE ALTURAS DE INSTALACIÓN

Altura del Cielorraso (pies/ pulg.)	ZX8D13SPSS O ZX8D14SPSS		Altura del Cielorraso (pies/ pulg.)	ZX10D13SPSS O ZX10D14SPSS		Altura del Cielorraso (pies/ pulg.)	ZX12D13SPSS O ZX12D14SPSS	
	Instalación sobre Cocina a Gas	Instalación sobre Cocina Eléctrica		Instalación sobre Cocina a Gas	Instalación sobre Cocina Eléctrica		Instalación sobre Cocina a Gas	Instalación sobre Cocina Eléctrica
7' 0"		24	8' 3"		24	9' 4"		24
7' 1"		24-25	8' 4"		24-25	9' 5"		24-25
7' 2"		24-26	8' 5"		24-26	9' 6"		24-26
7' 3"		25-27	8' 6"		24-27	9' 7"		24-27
7' 4"		26-28	8' 7"		24-28	9' 8"		24-28
7' 5"		27-29	8' 8"		24-29	9' 9"		24-29
7' 6"		28-30	8' 9"		24-30	9' 10"		24-30
7' 7"		29-31	8' 10"		24-31	9' 11"		24-31
7' 8"	30	30-32	8' 11"	30	24-32	10' 0"	30	24-32
7' 9"	30-31	31-33	9' 0"	30-31	24-33	10' 1"	30-31	24-33
7' 10"	30-32	32-34	9' 1"	30-32	24-34	10' 2"	30-32	24-34
7' 11"	31-33	33-35	9' 2"	30-33	24-35	10' 3"	30-33	24-35
8' 0"	32-34	34-36	9' 3"	30-34	24-36	10' 4"	30-34	24-36
8' 1"	33-35	35-36	9' 4"	30-35		10' 5"	30-35	
8' 2"	34-36	36	9' 5"	30-36		10' 6"	30-36	
8' 3"	35-36		9' 6"		10' 7"			
8' 4"	36		9' 7"		10' 8"			
			9' 8"		10' 9"			
			9' 9"		10' 10"			
			9' 10"		10' 11"			
			9' 11"		11' 0"			
			10' 0"	11' 1"				
			10' 1"	11' 2"				
			10' 2"	11' 3"				
			10' 3"	11' 4"	30-36			
			10' 4"	11' 5"	30-36			
			10' 5"	11' 6"				
			10' 6"	11' 7"				
			10' 7"	11' 8"				
			10' 8"	11' 9"				
			11' 10"	11' 10"				
			11' 11"	11' 11"				
			12' 0"	12' 0"				
			12' 1"	12' 1"				
			12' 2"	12' 2"				
			12' 3"	12' 3"	31-36			
			12' 4"	12' 4"	32-36			
			12' 5"	12' 5"	33-36			
			12' 6"	12' 6"	34-36			
			12' 7"	12' 7"	35-36			
			12' 8"	12' 8"	36			

# Preparación para la instalación

## PLANIFICACIÓN PREVIA

### Planificación para la Instalación con Conducto

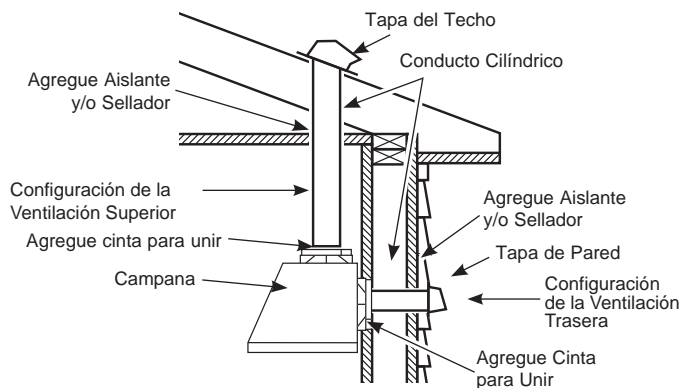
- Esta campana fue diseñada para una ventilación vertical a través del cielorraso con un conducto cilíndrico de 10", de forma horizontal a través de una pared con la transición de un conducto de 8" x 12" y con un conducto cilíndrico de 12".
- Use un conducto metálico únicamente.
- Planifique el recorrido de la salida de ventilación hacia el exterior. A fin de maximizar el rendimiento de la ventilación del sistema de ventilación:
  1. Minimice la longitud del conducto y el número de transiciones y codos.
  2. Mantenga un tamaño de conducto constante.
  3. Selle todas las juntas con cinta para conductos a fin de evitar pérdidas.

**NOTA: No se recomienda una ventilación flexible. La ventilación flexible crea una presión trasera y turbulencia del aire que reduce el rendimiento significativamente.**

### ■ Longitud máxima equivalente del conducto para 100 CFM: 150 pies para campanas de ventilación.

- Instale una cubierta de pared o casquete de techo con un regulador de tiro en la abertura exterior. Solicite por adelantado la cubierta de pared o el casquete de techo y cualquier transición o longitud de conducto necesarios.
- Cuando corresponda, instale un sistema de reposición (reemplazo) de aire de acuerdo con los requisitos del código local de construcción. El kit de aire de compensación universal de conducto redondo de 10" se puede comprar localmente.

**El sistema de ventilación puede desembocar a través del techo o de la pared.**



## SUMINISTRO DE ENERGÍA

### IMPORTANTE – (Tenga a bien leer cuidadosamente)

#### ▲ADVERTENCIA

PARA SEGURIDAD PERSONAL, ESTE APARATO DEBE CONECTARSE A TIERRA DE MANERA ADECUADA.

Quite el fusible o abra el interruptor de circuitos antes de comenzar la instalación.

No utilice un cable de extensión o un enchufe adaptador con este artefacto. Siga los Códigos Eléctricos Nacionales o códigos y ordenanzas locales vigentes.

#### Suministro eléctrico

Estas campanas de ventilación deberán ser alimentadas con 120V, 60Hz, y estar conectadas a un circuito de empalmes individual correctamente conectado a tierra, y estar protegidas por un fusible de retardo o disyuntor de 15 o 20 amp.

- El cableado debe ser de 2 hilos con conexión a tierra.
- Si el suministro eléctrico no cumple con los requisitos anteriores, llame a un electricista con licencia antes de continuar.
- Dirija el cableado doméstico lo más cerca posible a la ubicación de la instalación, en el cielorraso o pared trasera. Ver página 14 para más detalles.
- Conecte el cableado al cableado doméstico en cumplimiento con los códigos locales.

#### Instrucciones de conexión a tierra

El conductor a tierra debe conectarse a un metal con conexión a tierra, un sistema de cableado permanente o una terminal o conductor de conexión a tierra del equipamiento en la campana.

#### ▲ADVERTENCIA

Una conexión inadecuada del conductor de conexión a tierra del equipamiento puede provocar un riesgo de descarga eléctrica. Consulte a un electricista calificado o representante de servicio técnico si tiene dudas sobre la correcta conexión a tierra del artefacto.



# Preparación para la instalación

## NUEVA CONSTRUCCIÓN, PLANIFICACIÓN PREVIA O REMODELACIÓN

**NOTA:** Para acceder a las instrucciones existentes, vaya a la siguiente sección.

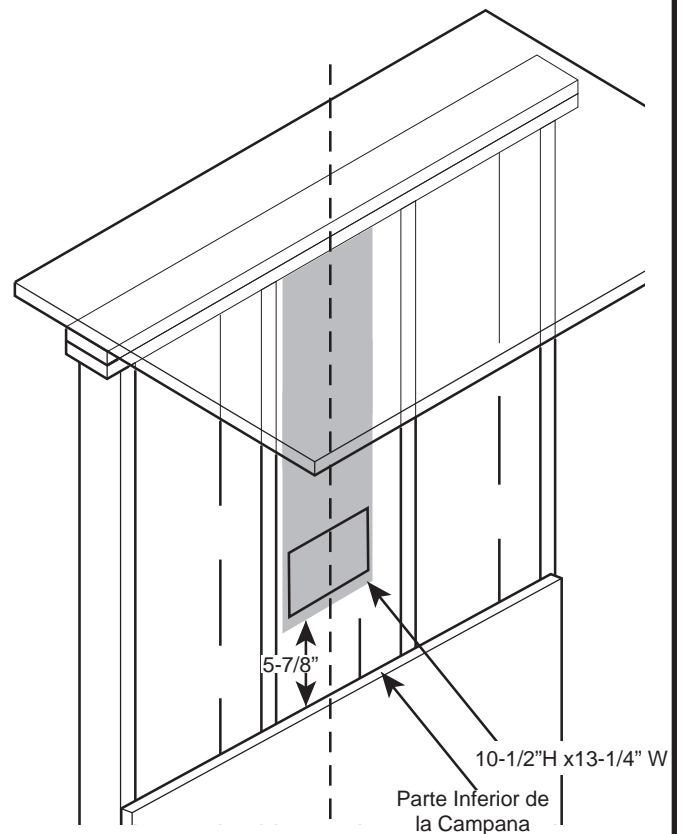
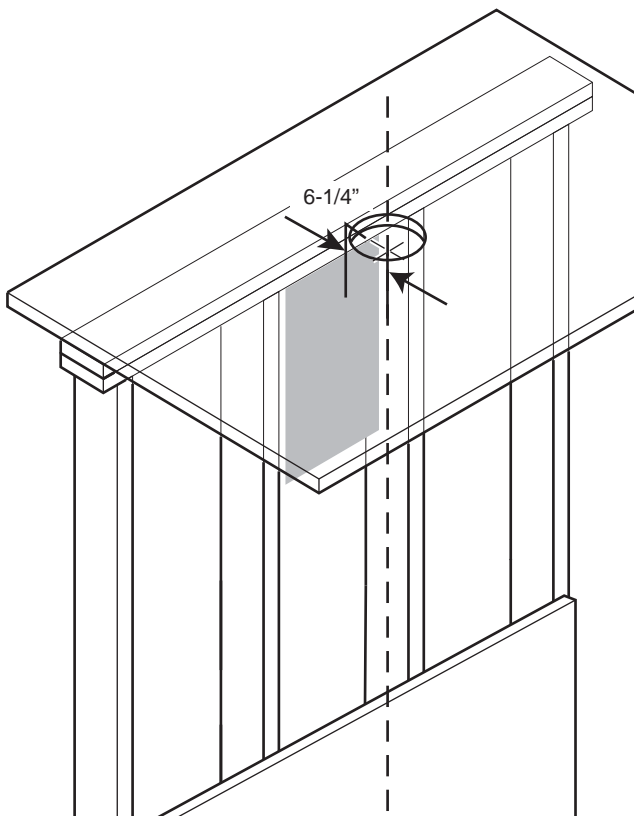
### PARA LA VENTILACIÓN SUPERIOR

- Para una instalación con conducto a través de la parte superior, el agujero de 10" de diámetro para el conducto del cielorraso deberá estar centrado a una distancia de 6 1/4" de la pared trasera terminada en el espacio de instalación.

### PARA LA VENTILACIÓN TRASERA

- Para una instalación con conducto a través de la parte trasera, el espacio libre de 10 1/2"H x 13 1/4"W desde el conducto de la pared deberá estar centrado en el espacio de instalación, de izquierda a derecha ubicado 5 7/8" sobre la altura de instalación esperada desde la parte inferior de la campana.

- El tablero de la caja de empalmes de la campana está ubicado a 10 1/2" hacia la izquierda desde el centro de la campana. Asegúrese de que haya una longitud del cableado suficiente como para realizar conexiones eléctricas



# Preparación para la instalación

## DETERMINE LAS UBICACIONES DE LA CAMPANA, EL CONDUCTO Y EL CABLEADO

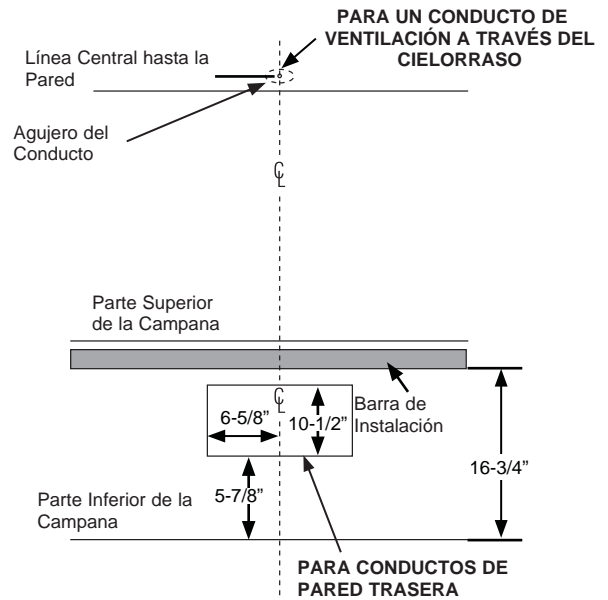
- Esta campana se podrá instalar sobre la pared o debajo del soffito.
- Para instalar la campana en el soffito o gabinete, consulte en la página 12 sobre un método de montaje alternativo.
- Con el producto se incluye una plantilla de montaje de pared a fin de facilitar la instalación. En caso de no utilizar la plantilla, siga las siguientes instrucciones.
- Mida la distancia deseada desde la parte inferior de la campana hasta la superficie de cocción, con un mínimo de 24" sobre una cocina eléctrica o un mínimo de 30" sobre una cocina a gas y un máximo recomendado de 36".
- Use un nivel para dibujar la ubicación de la línea central de la superficie de cocción.
- Mida 16 3/4" desde la línea horizontal que indica la parte inferior de la campana. Dibuje otra línea horizontal para indicar la parte inferior de la barra de instalación.
- Use un nivel para dibujar la ubicación de la línea central de la superficie de cocción o de la cocina.

### Para un Conducto en Cielorraso:

- Si ventilará a través del cielorraso, extienda la línea central hacia adelante sobre el cielorraso hasta la pared trasera.
- Mida 6 1/4" desde la pared trasera para marcar el punto central.
- Haga un agujero para conducto de 10" de diámetro desde el punto central sobre el cielorraso.

### Ventilación a Través de un Soffito:

- Siga el mismo procedimiento para conductos de cielorraso para cortar el agujero a través de la parte superior del soffito.



### Para Conductos a Través de la Pared Trasera :

**NOTA:** Asegúrese de que el regulador trasero no interfiera con las vigas, el sistema eléctrico o de plomería antes de realizar el recorte.

- El accesorio del regulador trasero UXBDA812 se deberá adquirir de forma separada para la ventilación a través de la pared trasera.
- Mida 5 7/8" a lo largo de la línea central, desde la línea horizontal que indica la parte inferior de la campana.
- Haga un recorte de 10 1/2" x 13 1/4" centrado de izquierda a derecha a lo largo de la línea central.

### Ubicación del Cableado Hogareño:

- La caja de empalmes se encuentra ubicada dentro del cuerpo de la campana sobre el lado izquierdo. Consulte las ilustraciones para conocer las ubicaciones del tablero de la campana.

El cableado hogareño podrá ingresar a la caja de empalmes desde la parte trasera o desde la parte superior de la campana, sobre el lado izquierdo.

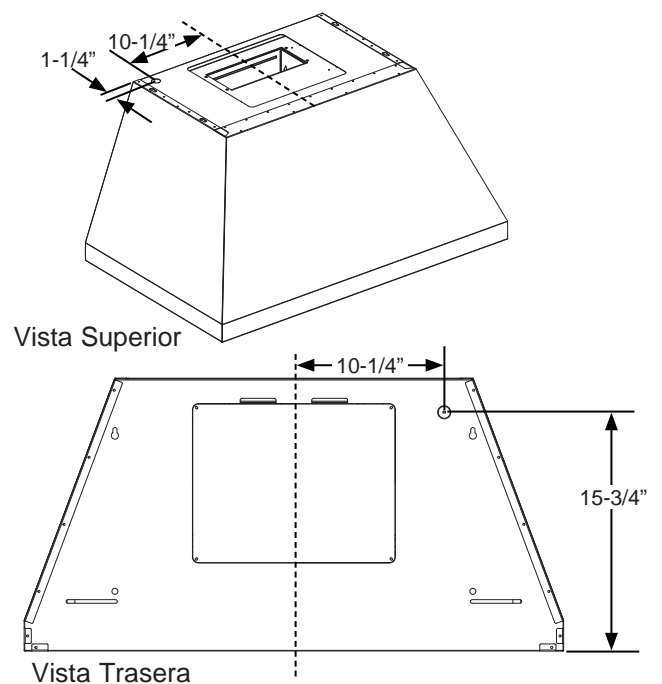
### Para conducir el cableado hogareño a través del cielorraso o soffito:

- Haga un agujero de aproximadamente 1 1/4" de diámetro en la parte delantera del cielorraso, 10-1/4" a la izquierda de la línea central.

### Para conducir el cableado hogareño a través de la pared:

**NOTA:** Para una ventilación trasera, el cableado hogareño deberá ser dirigido a través del tablero trasero de modo que quede escondido.

- Mida 15 3/4" desde la parte inferior de la campana y marque la ubicación.
- Haga un agujero de aproximadamente 1 1/4" de diámetro en la ubicación marcada a una distancia de 10 1/4" sobre la izquierda de la línea central.
- Retire el tablero superior o trasero, dependiendo de su instalación.

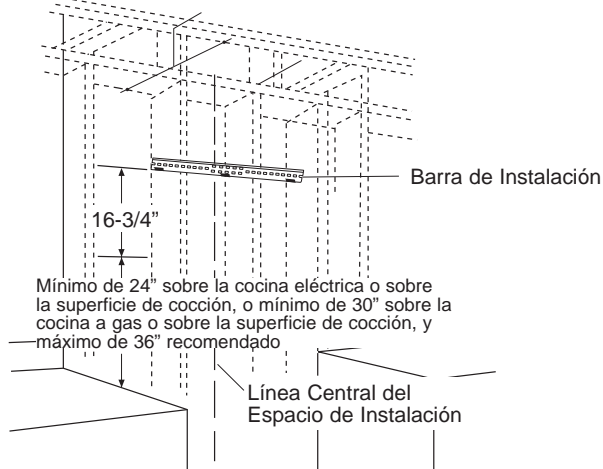


# Instalación

## 1 INSTALE EL SOPORTE DE LA CAMPANA

**IMPORTANTE:** El marco deberá poder soportar 100 lbs. para los modelos de 36" y 150 lbs. para los modelos de 48".

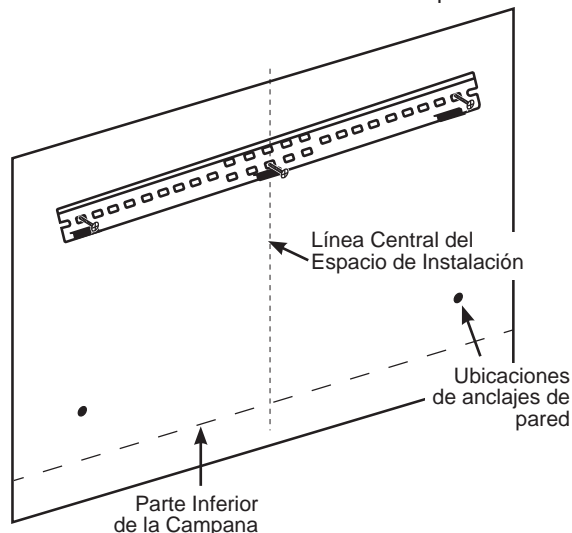
- Ubique mínimamente 2 vigas verticales para la barra de instalación, golpeando la pared de yeso con un martillo o usando un detector de vigas.
- Nivele la barra de instalación y centre de izquierda a derecha sobre la línea marcada. Sostenga la barra contra la pared.



- Perfore agujeros piloto de 1/8" en las 2 ubicaciones de montajes verticales, a través de los agujeros del soporte de instalación. Asegure la barra de instalación con los tornillos suministrados (A) como se muestra más arriba.

### Perfore las Ubicaciones de los Agujeros de Montaje Inferiores:

- Cuelgue el gancho sobre la barra de instalación para marcar las ubicaciones del anclaje. Marque las ubicaciones de los agujeros a través de la parte trasera de la campana.
- Si la instalación se hará en el soffito o gabinete, presione la campana hasta que quede nivelada con el soffito o gabinete antes de marcar las ubicaciones de los agujeros de los tornillos.
- Retire la campana y perfore los agujeros de los espacios libres de 5/16" centrados en las marcas que usted realizó.



## 1 INSTALACIÓN DEL SOPORTE DE LA CAMPANA (Cont.)

- Instale los anclajes de pared (C) golpeando los mismos con un martillo para asentar los dientes de las bridas sobre la pared. Esto evita que el anclaje ruede.
- Coloque los tornillos de anclaje hasta que los cilindros queden enganchados dentro de la pared.
- Retire los tornillos de los anclajes de pared antes de instalar la campana.

## 2 INSTALE EL REGULADOR

**IMPORTANTE:** Retire la cinta de embalaje del regulador y controle que este último se mueva libremente.

### Instale el Regulador Superior:

- La placa de montaje del motor viene preinstalada en la campana para la ventilación superior.
- Instale el regulador superior al cuerpo de la campana como se muestra en la Figura A, usando los tornillos (B) de la parte superior de la campana.

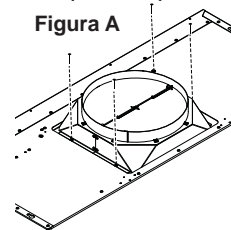
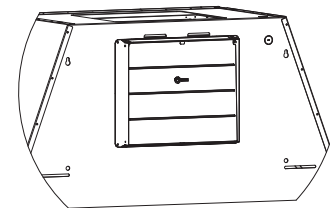


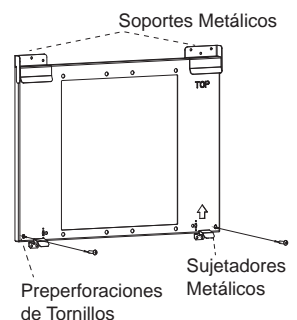
Figura B



### Instale el Regulador Trasero:

- Cuando se use la ventilación trasera a través de la pared, se deberá adquirir el accesorio del regulador UXBDA812 de forma separada.
- Retire el panel cuadrado preperforado del cuerpo de la campana para la ventilación trasera.
- Instale el regulador trasero al cuerpo de la campana como se muestra en la Figura B, usando los tornillos provistos con el accesorio.
- Desinstale la placa de montaje del motor de la posición de ventilación superior. Guarde los tornillos.
- Instale la placa metálica provista con el accesorio para cubrir la abertura para el regulador superior.
- Retire los dos agujeros preperforados para tornillos de la placa de montaje del motor, como se muestra en la Figura C.

Figura C (El motor simple se verá diferente)

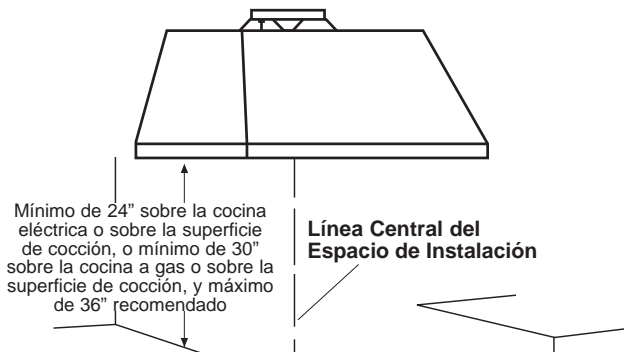


- Instale la placa de montaje del motor de modo que la flecha apunte hacia arriba y sobre el lado derecho.
- Deslice la placa dentro de los soportes metálicos y presione hacia adentro hasta que los sujetadores metálicos de la parte inferior queden adheridos.
- Ajuste la placa a través de los dos agujeros preperforados, como se muestra en la Figura C. Use los dos tornillos que guardó.

# Instalación

## 3 INSTALACIÓN DE LA CAMPANA EN LA PARED

- Pase el cableado hogareño a través del tablero sobre la parte trasera o superior de la campana.
- Levante la campana y coloque la misma sobre los ganchos en la barra de instalación. Permita que la campana se deslice hasta su posición.
- Asegúrese de que la campana esté nivelada y centrada.
- Ajuste los tornillos de anclaje de pared (C) para finalizar la instalación del cuerpo de la campana sobre la pared.
- Retire la tapa de la caja de empalmes dentro de la campana.



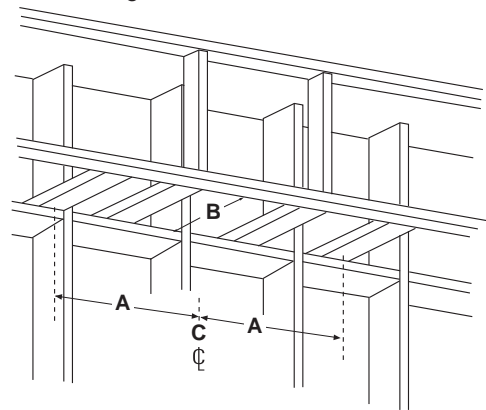
## 4 (Método Alternativo de Montaje) INSTALE LA CAMPANA EN EL SOFITO

### SALTEE ESTE PASO SI USARÁ UN MÉTODO DE MONTAJE EN LA PARED

**IMPORTANTE:** El marco del soffito deberá poder soportar 100 lbs. para los modelos de 36" y 150 lbs. para los modelos de 48".

Cuando sea necesario, la campana podrá ser instalada de modo que sea sostenida por el soffito.

- El soffito debe ser construido con pernos de 2"x4".
- Use un nivel para dibujar la ubicación de la línea central de la superficie de cocción o de la cocina.
- Continúe la línea central hacia delante en la parte inferior del soffito.
- Instale los soportes de madera horizontales entre los 2"x 4", en la distancia A hacia la izquierda y derecha, de acuerdo con la siguiente tabla.

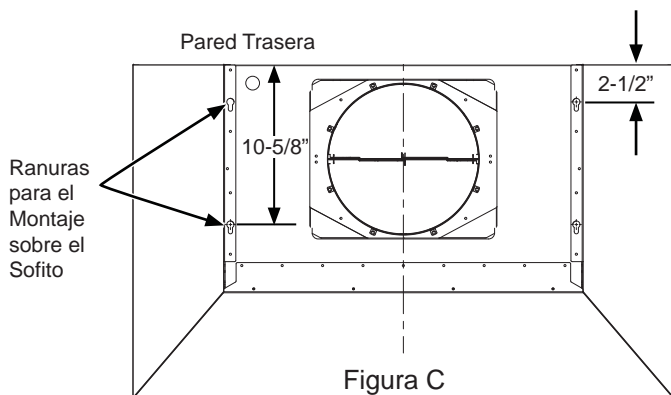


	"A" Línea Central hasta la Viga Central	"B" Abertura para el conducto de la ventilación superior	"C" Abertura para el conducto de la ventilación trasera
36" Modelos	11-3/8"	10-5/8" H x 11-1/4" W	10-1/2" H x 13-1/4" W
48" Modelos	17-3/8"		

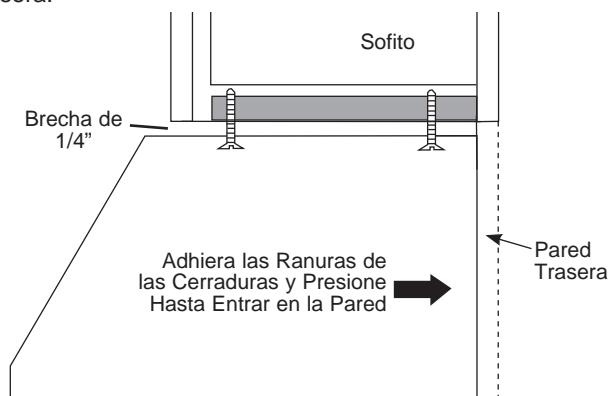
# Instalación

## 4 (Método Alternativo de Montaje) INSTALE LA CAMPANA EN EL SOFITO (Cont.)

- Perfore dos agujeros piloto de 1/8" en una distancia de 10 5/8" desde la pared trasera en los soportes de madera horizontales. Ésta es la distancia vertical entre las ranuras de montaje y la pared trasera, como se muestra en la Figura C.
- Perfore dos agujeros piloto de 1/8" en una distancia de 2 1/2" desde la pared trasera en los soportes de madera horizontales. Ésta es la distancia vertical entre los agujeros de los tornillos de montaje y la pared trasera, como se muestra en la Figura C.
- Para la ventilación superior, deje una abertura mínima (Diám. B) para ubicar el regulador en el soffito.
- Para la ventilación trasera, deje una abertura mínima (Diám. C) para ubicar el regulador en la pared trasera.

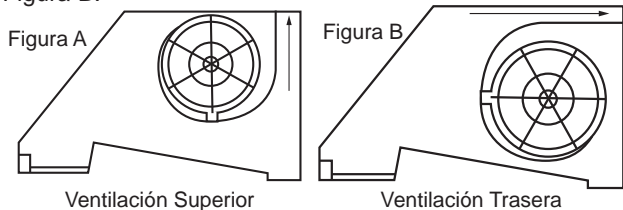


- Pase los tornillos de montaje (A) por las vigas hasta que sobresalgan 1/4". Esta brecha de 1/4" brindará espacio libre para adherir las ranuras en la parte superior de la campana.
- La campana también se deberá asegurar a la pared trasera. Siga las instrucciones de la página 11, "Perfore las Ubicaciones de los Agujeros de Montaje Inferiores" para la instalación sobre la pared trasera.
- Siga las instrucciones de la página 10, "Ubicaciones del Cableado Hogareño" para la configuración del cableado.
- Levante la campana sobre los tornillos de montaje. Vuelva a deslizar la misma sobre la pared trasera.
- Pase el cableado hogareño a través del tablero sobre la parte trasera o superior de la campana.
- Ajuste los tornillos de montaje.
- Una vez que la campana se encuentre asegurada al soffito, coloque los tornillos (C) para asegurar la campana a la pared trasera.

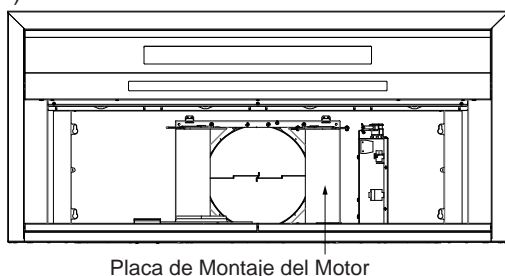


## 5 INSTALE EL MOTOR

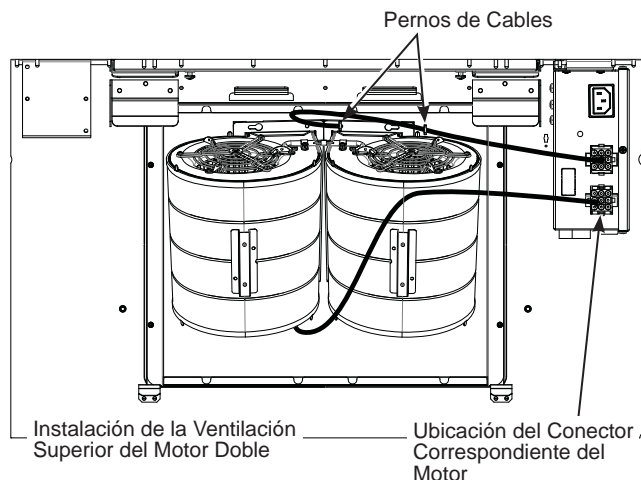
- I) Alinee la salida del motor con el regulador superior, como se muestra en la Figura A para la ventilación superior. En el caso de la ventilación trasera, gire el motor 90° para que se alinee con el regulador trasero, como se muestra en la Figura B.



- II) Asegure el motor a la placa de montaje del mismo usando los tornillos (D).



- III) Enchufe el motor en la conexión correspondiente sobre la unidad de control.
- IV) Repita los pasos I a III con los modelos con motor doble.
- V) Para los modelos con doble motor, asegure el cable del motor del lado derecho a los pernos de los cables como se muestra en la siguiente imagen.



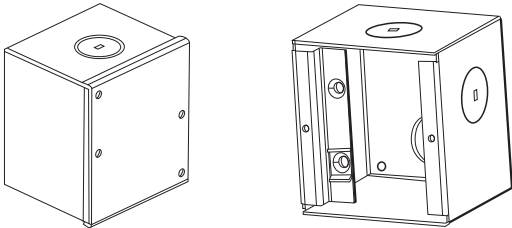
# Instalación

## 6 CONECTE LA ELECTRICIDAD

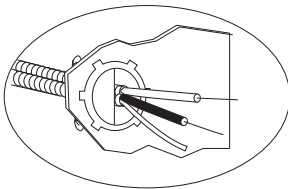
Verifique que la corriente esté apagada en la fuente.

**⚠ADVERTENCIA** Si el cableado del hogar no tiene 2 cables con uno a tierra, el instalador deberá proveer una conexión a tierra. Cuando el cableado hogareño sea de aluminio, asegúrese de usar un compuesto antioxidante y conectores de aluminio a cobre aprobados por UL.

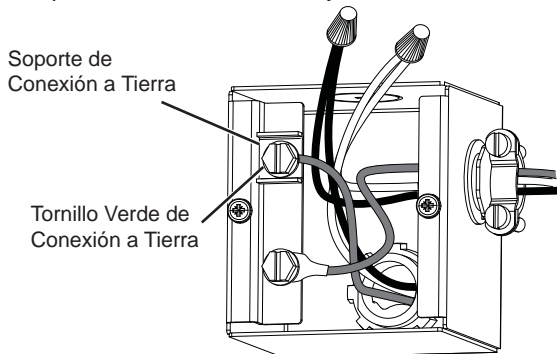
- Retire la tapa de la caja de empalmes.



- Pase el cableado hogareño a través del tablero en la parte superior o trasera de la campana y asegure el mismo con un amortiguador de refuerzo.



- Use tuercas para cables de la lista de UL para conectar los cables entrantes blanco con blanco y negro con negro.
- Afloje el tornillo de conexión a tierra verde (con el soporte de conexión a tierra) en la caja de empalmes. Enrolle el cable hogareño de cobre sólido en dirección horaria alrededor del tornillo de conexión a tierra verde y sobre el soporte. De manera firme, ajuste el tornillo sobre el rollo.

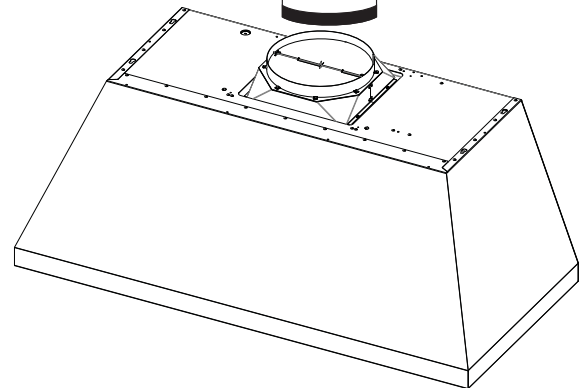
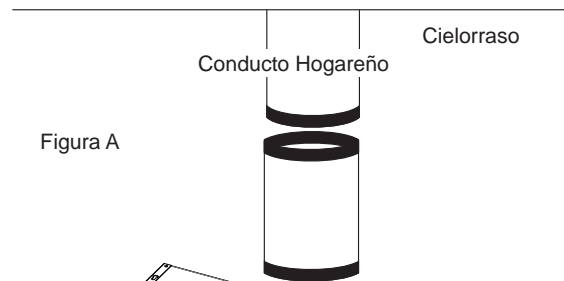


- Reemplace la tapa de la caja de empalmes y asegúrese de que los cables no hayan sufrido pellizcos.

**NOTA: Para una instalación con cables:** use la misma sólo con los kits de conexión de cables para campanas de cocina que fueron investigados y que se encontró que su uso es aceptable con este modelo de campana para cocina.

## 7 CONECTE EL CONDUCTO

- Conecte el conducto hogareño al regulador superior, como se muestra en la Figura A.
- Para una ventilación trasera, conecte la pieza de transición al regulador trasero y el conducto hogareño a la transición, como se muestra en la Figura B.
- Selle todas las conexiones con cinta para conductos.



**⚠PRECAUCIÓN** No use tornillos metálicos para planchas en la transición a la conexión del conducto. Hacer esto impedirá el funcionamiento correcto de los reguladores. Selle la conexión con cinta únicamente.

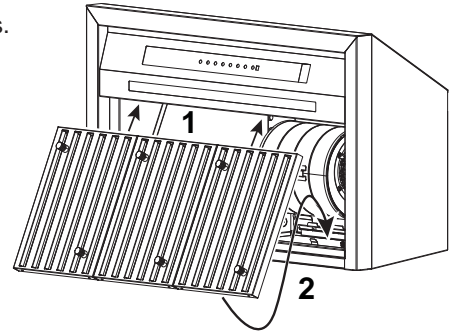
# Instalación

## 8 INSTALE LAS TAPAS DE LOS CONDUCTOS

- Consulte la sección “**Requisitos de la Tapa del Conducto**” en la página 6 para conocer los números de los accesorios de la tapa del conducto.
- Siga las instrucciones incluidas con el accesorio de la tapa del conducto para instalar las tapas de conducto.

## 9 INSTALE LAS BANDEJAS Y FILTROS DE GRASA

- Retire la película protectora.
- Coloque las bandejas de goteo de grasa en las ranuras.
- Instale los filtros de los deflectores.
- Para más instrucciones sobre la instalación de las bandejas de goteo de grasa y filtros de deflectores, consulte el manual de Uso y Cuidado.



## TECNOLOGÍA DE REPOSICIÓN DE AIRE

Esta operación deberá ser realizada por un técnico o instalador calificado.

**Nota para los Instaladores e Inspectores:** Este producto está equipado con una función de instalación simple que limita los niveles máximos de CFM, a fin de cumplir con ciertos códigos o regulaciones locales. Es posible que este método de instalación no sea necesario en todas las instalaciones; para acceder a más pautas, por favor consulte sus códigos locales.

Esta función de reposición de aire se aplica a modelos con un solo motor únicamente.

### ⚠ PRECAUCIÓN

La campana deberá ser desconectada de la alimentación de corriente principal siguiendo las instrucciones de conversión que figuran a continuación. Si no se siguen estos pasos, se podrán producir lesiones personales o daños sobre el producto.

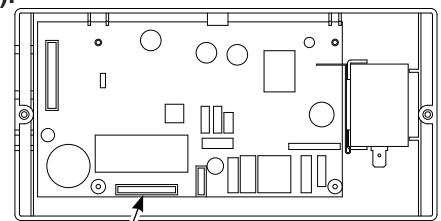
A fin de modificar la unidad (si es necesario para cumplir con los códigos locales):

### 390CFM

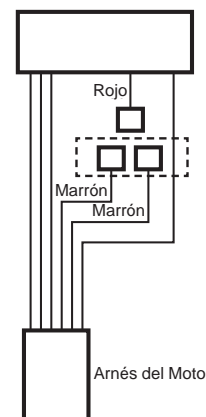
Por diseño, la velocidad máxima del calefactor es superior a los 400 CFM. Si los códigos locales requieren una reducción de los CFM, modifique el cableado como se describe a continuación:

1. Retire los filtros de los deflectores.
2. Desconecte todos los arneses de la parte superior de la caja de control sobre el lado derecho del motor.
3. Afloje los tornillos sobre la parte superior de la caja de control y deslice la misma para retirarla de la campana.
4. Desinstale la tapa de la caja de control.
5. Para un máximo de 390 CFM, la unidad puede funcionar en 4 velocidades (Baja, Media, Alta, Aumentada).
  - i. Desconecte los conectores del cable **MARRÓN**.
  - ii. Retire la tapa adherida al conector del cable **ROJO**.
  - iii. Coloque el conector correspondiente al cable **MARRÓN** y al cable **ROJO**.
  - iv. Adhiera la tapa al enchufe del cable **MARRÓN** abierto.
6. Vuelva a instalar la tapa de la caja de control y asegure la caja de control al soporte de la campana, usando los dos tornillos.
7. Conecte todos los arneses sobre la caja de control.
8. Vuelva a instalar los filtros.

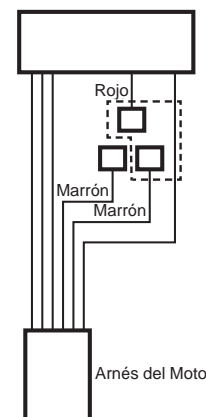
**Nota para los Inspectores:** A fin de verificar la instalación de este producto, controle las conexiones del cableado del motor como se describe más arriba.



Conector del Arnés del Motor



Configuración del Cableado Instalado de Fábrica



Configuración del Cableado Aumentado Máx. de 390 CFM

**NOTA:** Mientras efectúa las instalaciones descritas en este libro, deben utilizarse gafas o lentes de seguridad.

Para servicio técnico local Monogram® en su área, visite nuestro sitio web en **monogram.com**.

**NOTA:** La mejora de los productos es un esfuerzo continuo para Monogram Appliances. Por lo tanto, los materiales, apariencia y especificaciones pueden sufrir cambios sin previo aviso.