

UNC15NPRII

15" Built-In Gourmet Nugget Ice Maker

DIMENSIONS AND INSTALLATION INFORMATION (IN INCHES)

DIMENSIONS

H 34-1/8" to 34-7/8"

W 14-7/8"

D 22-3/4"

Depth including handle is approximately 25 1/2".

NOTE:

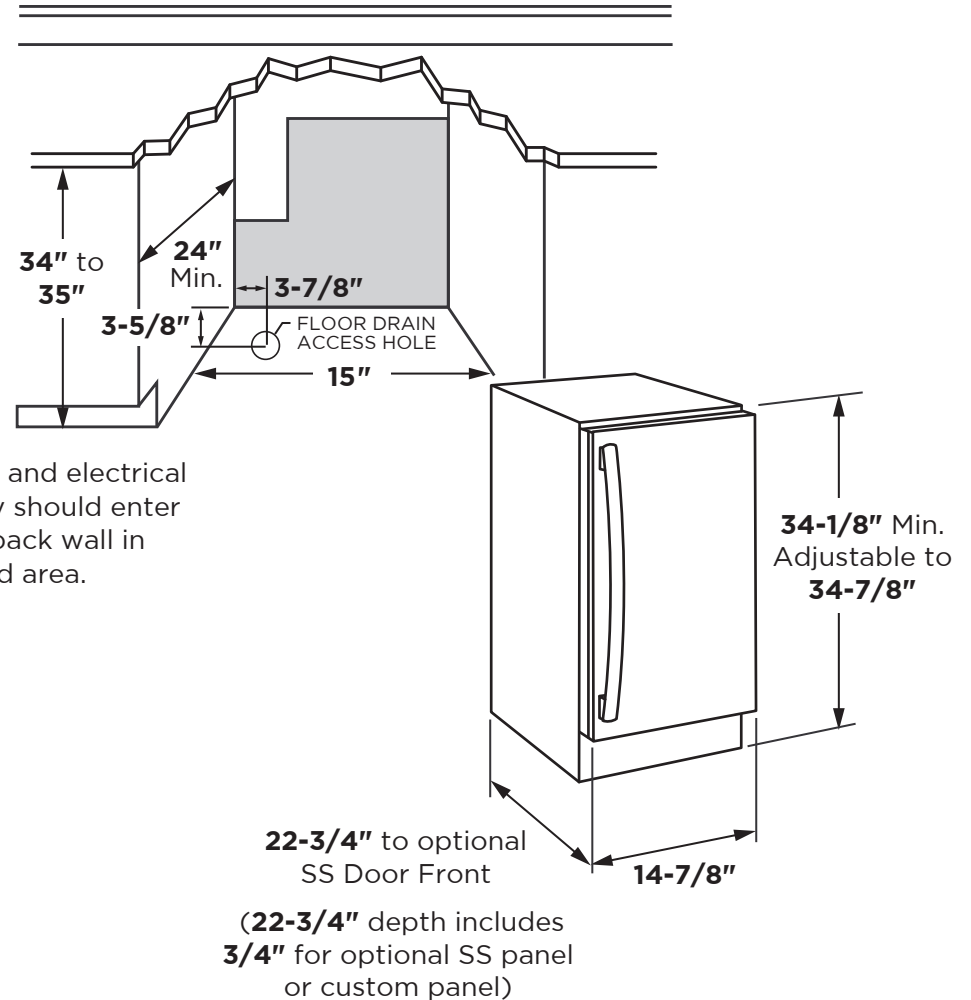
The finished cut-out is determined by the type of installation. Before installing, consult installation instructions packed with product for current dimensional data

WARRANTY INFORMATION:

Limited one-year warranty, in-home service, parts and labor.*

Limited five-year warranty, parts and labor on the compressor, evaporator and all connecting tubing.*

*See written warranty for complete details.



For answers to your Monogram, Café™, GE Profile™ or GE Appliances product questions, visit our website at geappliances.com or call GE Answer Center® Service, 800.626.2000.

Specification Revised 11/23

UNC15NPRII

15" Built-In Gourmet Nugget Ice Maker

INSTALLATION INFORMATION

The ice machine can be used free-standing or as a built-in, under the countertop.

The ice machine requires a 115 Volt or 110 Volt, 60 Hz., AC-only power supply, with an individual, properly grounded branch circuit, protected by a 15 amp fuse or circuit breaker.

Pump Kit UPK4 can be installed, which can force drain water up to a maximum of 10 feet, allowing it to be located where a gravity drain isn't available.

To achieve a custom appearance, the ice machine door accepts 3/4" custom panels to coordinate or contrast with cabinetry. Optional door panels and handle kits are available. Order PK1UG15ORSS for stainless steel door panel kit with Profile handle. CK1UP15ORS1/D1/W2 for stainless steel, matte black and matte white door panel kits with Café handle. ZK1UN15ORS for stainless steel door panel kit with Monogram Statement handle. (Monogram handles sold separately - see list of model numbers below).

PANEL AND HANDLE KITS BELOW

Panel Kits:

PK1UG15ORSS (Profile)
CK1UP15ORS1/D1/W2 (Café)
ZK1UN15ORS (Monogram)

Handle Kits:

Brushed Stainless Handle Kit CXQW1H1PPSS
Brushed Black Handle Kit CXQW1H1PPBT
Brushed Bronze Handle Kit CXQW1H1PPBZ
Brushed Copper Handle Kit CXQW1H1PPCU
Brushed Brass Handle Kit CXQW1H1PPCG
Flat Black Handle Kit CXQW1H1PPFB
Minimalist - Brushed SS Handle Kit Monogram ZXGPIH1CPSS
Statement - Brushed SS Handle Kit Monogram ZXGPIH1PPSS



For answers to your Monogram, Café™, GE Profile™ or GE Appliances product questions, visit our website at geappliances.com or call GE Answer Center® Service, 800.626.2000.

UNC15NPRII

15" Built-In Gourmet Nugget Ice Maker

FEATURES AND BENEFITS

Produces Up To 65 Pounds of Ice Per Day*

Ice Storage Capacity: 26 lbs.

ADA Compliant: No

Energy Star: No

Panel Kit: PK1UG150RSS (Profile), CK1UP150RS1/D1/W2 (Café), ZK1UN150RS (Monogram)

Handle Kit: CXQW1H1PPSS, CXQW1H1PPBT, CXQW1H1PPBZ, CXQW1H1PPCU, CXQW1H1PPCG,
CXQW1H1PPFB, ZXGP1H1CPSS, ZXGP1H1PPSS

Drain Pump Kit: Yes

Water Filtration: Inline (GSWF)

Ice Type: Nugget

Clean indicator: Light on unit/app notification alerts when it's time to change water filter

Filter indicator: Light on unit/app notification alerts when it's time to change water filter

F/S or BI Capable: Yes

Indoor/Outdoor Capable: Indoor

Smart Capable: Yes

Control Type: Cap Touch Electronic Control

Internal Lighting: LED light

Soft Touch Ice Scoop: Yes

Optional door and handle kits available

Optional drain pump kit UPK4 is available

Model UNC15NPRII - Panel ready



*In a 24-hour period, the icemaker produces up to 65 pounds of ice in a 70-degree ambient/50-degree water temperature, or up to 48 pounds in a 90-degree ambient/70-degree water temperature.

Specification Revised 11/23