



OWNER'S MANUAL

**18", 24", 30" and 36" Built-In Column Freezers
24", 30" and 36" Built-In Column Refrigerators**

Pour obtenir une version française de ce manuel, visitez notre site web sur monogram.com.

Para consultar una versión en español de este manual de instrucciones, visite nuestro sitio de internet monogram.com.

TABLE OF CONTENTS

MODEL INFORMATION	2
CONSUMER SUPPORT	3
SAFETY INFORMATION	4
CONTROLS	6
AUTOMATIC ICEMAKER (FREEZER MODELS)	7
WATER FILTER	8
AIR FILTER (REFRIGERATOR MODELS)	9
APPLIANCE COMMUNICATION	10
AUTOFILL PITCHER	11
DRAWERS/SHELVES/BINS	12
SABBATH MODE	14
CARE AND CLEANING	14
PREPARATION	16
TROUBLESHOOTING	17
PERFORMANCE DATA SHEET	20
LIMITED WARRANTY	21

MODEL INFORMATION

MODEL NUMBERS

ZIF181, ZIF241, ZIF301 and ZIF361

ZIR241, ZIR301 and ZIR361

WRITE DOWN THE MODEL AND SERIAL NUMBERS

These will be on a label on the hinge side wall of your appliance. The refrigerator label is beside the humidity control drawer. The freezer label is beside the ice storage drawer.

Use these numbers in any correspondence or service calls concerning your appliance.

Please write these numbers here:

Model Number

Serial Number

CONSUMER SUPPORT

MONOGRAM WEBSITE

Have a question or need assistance with your appliance? Try the Monogram website 24 hours a day, any day of the year! You can also shop for more great Monogram products and take advantage of all our on-line support services designed for your convenience. In the US: monogram.com
In Canada: monogram.ca

REGISTER YOUR APPLIANCE

Register your new appliance on-line at your convenience! Timely product registration will allow for enhanced communication and prompt service under the terms of your warranty, should the need arise. You may also mail in the pre-printed registration card included in the packing material. In the US: monogram.com/register
In Canada: Prodsupport.mabe.ca/crm/Products/ProductRegistration.aspx

SCHEDULE SERVICE

Expert Monogram repair service is only one step away from your door. Get on-line and schedule your service at your convenience any day of the year. In the US: monogram.com
In Canada: monogram.ca

REMOTE CONNECTIVITY

For assistance with wireless network connectivity (for models with remote enable), visit our website at monogram.com/connect in the US only.

PARTS AND ACCESSORIES

Individuals qualified to service their own appliances can have parts or accessories sent directly to their homes (VISA, MasterCard and Discover cards are accepted). Order on-line today 24 hours every day. In the US: monogram.com/use-and-care/parts

Instructions contained in this manual cover procedures to be performed by any user. Other servicing generally should be referred to qualified service personnel. Caution must be exercised, since improper servicing may cause unsafe operation.

Customers in Canada should consult the nearest MC Commercial service center or visit our website at monogram.ca.

CONTACT US

If you are not satisfied with the service you receive from Monogram, contact us on our website with all the details including your phone number, or write to:

In the US: General Manager, Customer Relations | Monogram Appliances, Appliance Park | Louisville, KY 40225
monogram.com/contact

IMPORTANT SAFETY INFORMATION

READ ALL INSTRUCTIONS BEFORE USING THE APPLIANCE

⚠ WARNING To reduce the risk of fire, explosion, electric shock, or injury when using your refrigerator, follow these basic safety precautions:

- This refrigerator must be properly installed and located in accordance with the Installation Instructions before it is used.
- Unplug the refrigerator before making repairs or cleaning.
NOTE: Power to the refrigerator cannot be disconnected by any setting on the control panel.
NOTE: Repairs must be performed by a qualified Service Professional.
- Replace all parts and panels before operating.
- Do not use an extension cord.
- Keep flammable materials and vapors away from the refrigerator.
- Do not store explosive substances such as aerosol cans with a flammable propellant in this appliance.
- To prevent suffocation and entrapment hazards to children, remove the fresh food and freezer doors from any refrigerator before disposing of it or discontinuing its use.
- To avoid serious injury or death, children should not stand on, or play in or with the appliance.
- Children and persons with reduced physical, sensory or mental capabilities or lack of experience and knowledge can use this appliance only if they are supervised or have been given instructions on safe use and understand the hazards involved.
- This appliance is intended to be used in household and similar applications such as: staff kitchen areas in shops, offices and other working environments; farm houses; by clients in hotels, motels, bed & breakfast and other residential environments; catering and similar non-retail applications.
- Connect to potable water supply only. A cold water supply is required for automatic icemaker operation. The water pressure must be between 40 and 120 psi (275-827 kilopascals).
- Do not apply harsh cleaners to the refrigerator. Certain cleaners will damage plastic which may cause parts such as the door or door handles to detach unexpectedly. See the Care and Cleaning section for detailed instructions.

⚠ CAUTION To reduce the risk of injury when using your refrigerator/freezer, follow these basic safety precautions.

- Do not clean glass shelves or covers with warm water when they are cold. Glass shelves and covers may break if exposed to sudden temperature changes or impact, such as bumping or dropping. Tempered glass is designed to shatter into many small pieces if it breaks.
- Keep fingers out of the “pinch point” areas; clearances between the doors and between the doors and cabinet are necessarily small. Be careful closing doors when children are in the area.
- Do not touch the cold surfaces in the freezer compartment when hands are damp or wet, skin may stick to these extremely cold surfaces.
- Do not refreeze frozen foods which have thawed completely.
- In freezers with automatic ice makers, avoid contact with the moving parts of the ejector mechanism, or with the heating element that releases the cubes. Do not place fingers or hands on the automatic ice making mechanism while the freezer is plugged in.

⚠ WARNING  **FIRE OR EXPLOSION HAZARD Flammable Refrigerant**

This appliance contains isobutane refrigerant, also known as R600a, a natural gas with high environmental compatibility. However, it is also combustible. Adhere to the warnings below to reduce the risk of injury or property damage.

1. When handling, installing and operating the appliance, care should be taken to avoid damage to the refrigerant tubing.
2. Service shall only be performed by authorized service personnel. Use only manufacturer-authorized service parts.
3. Dispose of refrigerator in accordance with the Federal and Local Regulations. The flammable refrigerant and insulation material used in this product require special disposal procedures. Contact your local authorities for the environmentally safe disposal of your refrigerator.
4. Keep ventilation openings in the appliance enclosures or in the built-in structure clear of obstruction.
5. To remove frost, scrape with a plastic or wood spatula or scraper. Do not use an ice pick or a metal or sharp-edged instrument as it may puncture the freezer liner and then the flammable refrigerant tubing behind it.
6. Do not use electrical appliances inside the food storage compartment of the appliance.
7. Do not use any electrical device to defrost your freezer.

Refrigerant and Foam Disposal:

Dispose of appliance in accordance with Federal and Local Regulations. Flammable refrigerant used requires special disposal procedures. Contact your local authorities for the environmentally safe disposal of your appliance.

READ AND SAVE THESE INSTRUCTIONS

IMPORTANT SAFETY INFORMATION

READ ALL INSTRUCTIONS BEFORE USING THE APPLIANCE

INSTALLATION

WARNING **FIRE OR EXPLOSION HAZARD**

Keep flammable materials and vapors away from refrigerator. Failure to do so can result in fire, explosion, or death.

WARNING **Tip Over Hazard.**

These appliances are top heavy, especially with any doors open, and must be secured to prevent tipping forward which could result in death or serious injury. Read and follow the entire installation instructions for securing the appliance with the anti-tip system.

CONNECTING ELECTRICITY

WARNING **ELECTRICAL SHOCK HAZARD**

Plug into a grounded 3-prong outlet

Do not remove the ground prong

Do not use an adapter

Do not use an extension cord.

Failure to follow these instructions can result in death, fire, or electrical shock.

Do not, under any circumstances, cut or remove the third (ground) prong from the power cord. For personal safety, this appliance must be properly grounded.

The power cord of this appliance is equipped with a 3-prong (grounding) plug which mates with a standard 3-prong (grounding) wall outlet to minimize the possibility of electric shock hazard from this appliance.

Have the wall outlet and circuit checked by a qualified electrician to make sure the outlet is properly grounded.

Where a standard 2-prong wall outlet is encountered, it is your personal responsibility and obligation to have it replaced with a properly grounded 3-prong wall outlet. Do not use an adapter.

The refrigerator/freezer should always be plugged into its own individual electrical outlet which has a voltage rating that matches the rating plate.

A 115 Volt AC, 60 Hz, 15- or 20-amp fused, grounded electrical supply is required. This provides the best performance and also prevents overloading house wiring circuits which could cause a fire hazard from overheated wires.

Never unplug your refrigerator/freezer by pulling on the power cord. Always grip plug firmly and pull straight out from the outlet.

Immediately discontinue use of a damaged supply cord. If the supply cord is damaged, it must be replaced by a qualified service professional with an authorized service part from the manufacturer.

When moving the refrigerator/freezer away from the wall, be careful not to roll over or damage the power cord.

PROPER DISPOSAL OF YOUR OLD REFRIGERATOR/FREEZER

WARNING **SUFFOCATION AND ENTRAPMENT HAZARD**

Failure to follow these disposal instructions can result in death or serious injury

IMPORTANT: Child entrapment and suffocation are not problems of the past. Junked or abandoned refrigerator/freezers are still dangerous even if they will sit for “just a few days.” If you are getting rid of your old refrigerator/freezer, please follow the instructions below to help prevent accidents.

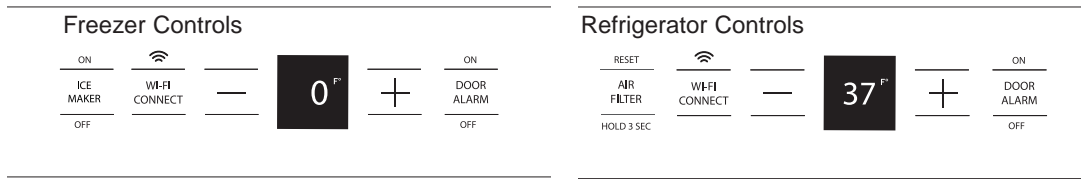
Before You Throw Away Your Old Appliance

- Take off the fresh food and freezer doors.
- Leave the shelves in place so that children may not easily climb inside.

READ AND SAVE THESE INSTRUCTIONS

CONTROLS

FREEZER / REFRIGERATOR CONTROL PANEL



Preset Settings: Allow 24 hours to reach these preset temperatures.

The control panel shows the set temperature of the freezer and fresh food units. The actual temperature will vary from the set temperature based on factors such as door opening, amount of food, defrost cycling and room temperature.

NOTE: Frequent door openings or a door left open for periods of time may increase the internal temperature of the freezer or refrigerator compartment temporarily.

To turn off the cooling system press and hold both (+) and (-) pads until the display shows **COOLING OFF**.

To turn the cooling system on, press either (+) or (-) pad and the display will show **COOLING ON**. The preset temperatures of 0°F or 37°F will appear in the display after 3 seconds.

To change the temperature settings, press the (+) or (-) pads to desired temperature set point. Allow 24 hours for the refrigerator/freezer to reach the temperature you have set.

Temperature Ranges

Low	High	
34°F	42°F	Fresh Food
1°C	6°C	
-6°F	+4°F	Freezer
-21°C	-16°C	

NOTE: Setting the controls to **COOLING OFF** stops cooling, but **does not** shut off electrical power to the refrigerator/freezer.

CHANGING DISPLAY TEMPERATURES FROM °F TO °C

To change between Fahrenheit and Celsius, press and hold (-) pad on the control panel until the display shows in °C.

DOOR ALARM

To turn the Door Alarm feature off, press **DOOR ALARM** once. The **OFF** light will come on. To turn it on, press it again.

When the **DOOR ALARM** is active, the alarm will flash and beep if you keep the door open for more than 2 minutes. The Door Alarm can be silenced by pressing any key. Alarm will sound again after 5 minutes if the door is still open.



Adjust tone volume

To change the tone volume, press and hold **DOOR ALARM** until the display shows a volume level. Pressing and holding **DOOR ALARM** again will toggle to the next volume setting. Repeat to toggle through **VOLUME HIGH**, **VOLUME LOW** and **VOLUME OFF** settings.

AUTOMATIC ICEMAKER (FREEZER MODELS)

⚠ WARNING Connect to potable water supply only.

A cold water supply is required for automatic icemaker operation. The water pressure must be between 40 and 120 psi (275-827 kilopascals).

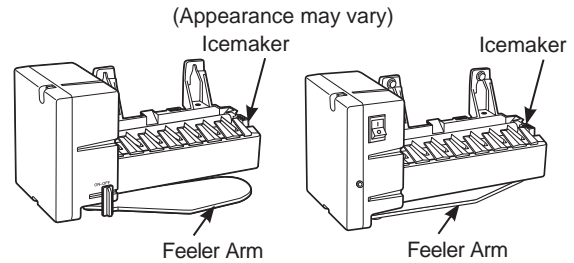
⚠ CAUTION To minimize the risk of personal injury, avoid contact with the moving parts of the ejector mechanism, or with the heating element that releases the cubes. Do not place fingers or hands on the automatic ice making mechanism while the refrigerator is plugged in.

A newly-installed freezer may take 12–24 hours to begin making ice.

The icemaker will produce seven cubes per cycle—approximately 15 cycles in a 24-hour period, depending on freezer compartment temperature, room temperature, number of door openings and other use conditions.

If the freezer is operated before the water connection is made to the icemaker, turn OFF the icemaker on the control panel.

When the freezer has been connected to the water supply, turn ON the icemaker on the control panel.



Throw away the first full bucket of ice to allow the water line to clear.

Be sure nothing interferes with the sweep of the feeler arm.

When the bin fills to the level of the feeler arm, the icemaker will stop producing ice.

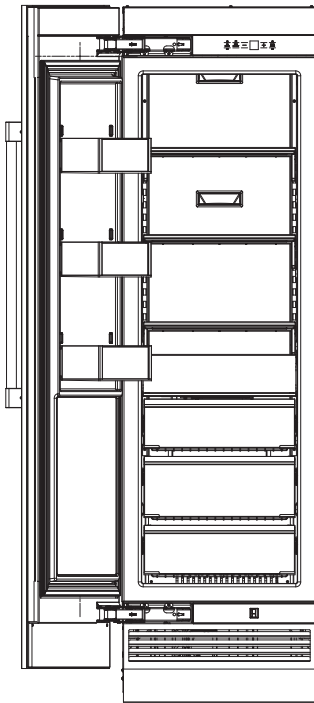
It is normal for several cubes to be joined together.

If ice is not used frequently, old ice cubes will become cloudy, taste stale and shrink.

NOTE: Icemaker works best between 40 and 120 PSI (275-827 kPa) home water pressure.

ACCESSING THE ICEMAKER AND ICE STORAGE BIN

The icemaker is located above the first drawer of the freezer. The ice bin is in the first drawer.



To remove the ice bin:

Open and fully extend top drawer and lift out the ice storage bin.

If the ice storage bin will be removed more than 2 minutes, set the icemaker power switch to the OFF position to prevent cubes from falling into the wire drawer. Remember to switch the icemaker power switch back to the ON position before replacing the ice storage bin.

XWF or XWFE WATER FILTER (on some models)

WATER FILTER CARTRIDGE

The water filter cartridge is located in the CASE TOP ASSEMBLY at the top of the unit.

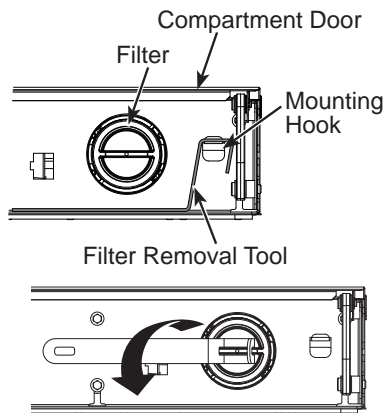
When to replace the filter cartridge

The filter cartridge should be replaced every six months or earlier if 170 gallons of water has been dispensed or the flow of water to the dispenser or icemaker decreases.

The main refrigerator/freezer control panel will display ORDER WATER FILTER when the water filter has reached 90% of life. The display will change to WATER FILTER EXPIRED after 100% of life.

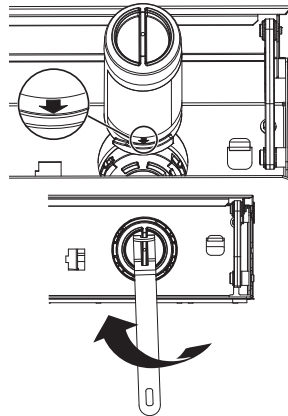
Removing the filter cartridge

1. Open the front cover of the enclosure to 90°. Locate filter and filter removal tool. Filter should be as shown.
2. Rotate filter ¼ turn counterclockwise (use filter removal tool if needed).
3. Pull filter toward you to remove. **NOTE:** Water system will not function without filter in place.



Installing the filter cartridge

1. Locate blue arrow on filter. Rotate filter to align arrow as shown.
2. Insert filter into position and rotate ¼ turn clockwise (use filter removal tool if needed).
3. Return filter removal tool to mounting hook. **Close the compartment door.**



4. In refrigerators, run 2 gallons of water through the AutoFill pitcher to remove air from the system. A newly installed filter cartridge will cause water to spurt and dribble until the air is out of the system.
5. In freezers, the icemaker may not immediately produce ice. Initial ice may be irregularly shaped. Discard the first bin of ice to allow air to purge from the system. A newly installed filter cartridge will cause water to spurt into the icemaker body, which could lead to ice droplets around the icemaker area. **NOTE:** It is normal for these droplets and initial ice production to appear discolored during the initial system flush. Ice color will return to normal after the first bin of ice production.
6. To reset the water filter usage, hold the “+” key on the control panel for 3 seconds.

Filter bypass plug

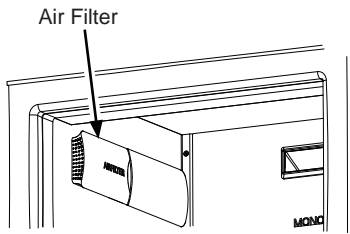
To reduce the risk of property damage due to water leakage, you **MUST** use the filter bypass plug when a replacement filter cartridge is not available. Some models do not come equipped with the filter bypass plug. To obtain a free bypass plug, visit monogram.com. In Canada, monogram.ca The autofill pitcher and icemaker will not operate without either the filter or bypass plug installed. The bypass plug is installed in the same way as a filter cartridge.

For the maximum benefit of your filtration system, Monogram Appliances recommends the use of GE Appliances-branded filters only. Using GE Appliances-branded filters in Monogram refrigerators provides optimal performance and reliability. GE Appliances filters meet rigorous industry NSF standards for safety and quality that are important for products that are filtering your water. Monogram Appliances has not qualified non-GE Appliances-branded filters for use in Monogram refrigerators and there is no assurance that non-GE Appliances-branded filters meet Monogram Appliances standards for quality, performance and reliability.

If you have questions, or to order additional filter cartridges, visit our website at monogram.com.
In Canada, monogram.ca

AIR FILTER (REFRIGERATOR MODELS)

The Air Filter is located in the upper left corner of some refrigerator models. Monogram recommends replacement of the air filter every 6 months or when odor becomes objectionable.

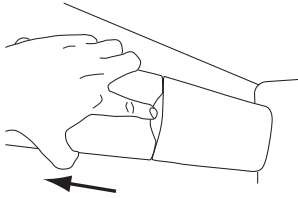


At 90% of air filter life, RESET and HOLD 3 SEC will flash on the main control above and below the AIR FILTER indicator. At 100% of life, they will stay on continuously.

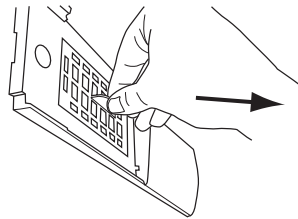
RESET
AIR
FILTER
HOLD 3 SEC

To Replace Filter:

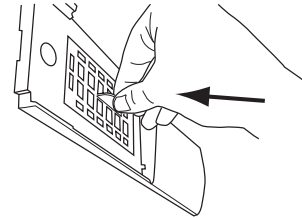
1. Remove the cover of the air filter by sliding the front.



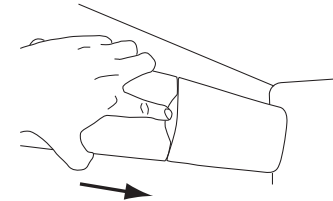
2. Remove the old filter by pulling out.



3. Remove the replacement filter from the plastic. Insert the filter into the housing by pushing it in. The filter will snap into place.



4. Replace filter cover by sliding it on from the front. Make sure the front edge is flush against the refrigerator wall.



5. Press and hold the AIR FILTER pad to reset the indicator.

RESET
AIR
FILTER
HOLD 3 SEC

APPLIANCE COMMUNICATION

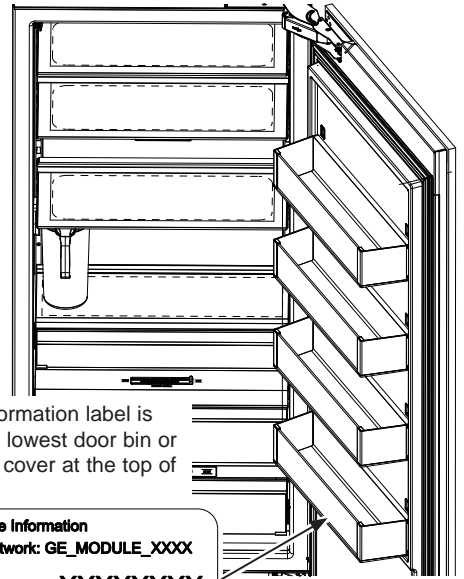
WI-FI Connect (for customers in the United States, its territories, and Canada)

Your refrigerator/freezer has a Connected Appliance information label, as shown, and can be connected to your WI-FI network, allowing it to communicate with your smart phone for remote monitoring, control and notifications. Please visit monogram.com/connect to learn more about connected appliance features, and to learn what connected appliance apps will work with your Smart Phone.

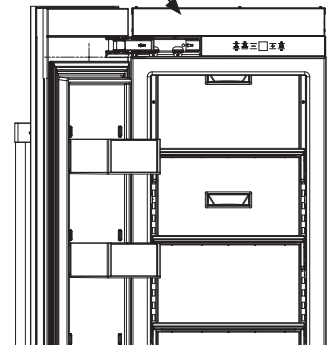
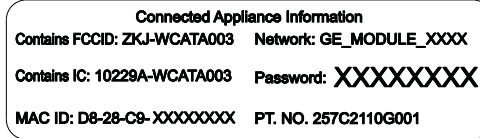
To use your WI-FI, press the **WI-FI** pad on the control panel. The WI-FI symbol will flash during the connection process. It will remain solid when a connection is made.



To turn off WI-FI, press and hold the **WI-FI** pad again.



Connected Appliance information label is located either behind the lowest door bin or on the inside of the front cover at the top of your refrigerator/freezer.



REGULATORY INFORMATION

FCC/IC Compliance Statement:

This device complies with Part 15 of the FCC Rules. Operation is subject to the following two conditions:

1. This device may not cause harmful interference.
2. This device must accept any interference received, including interference that may cause undesired operation.

This equipment has been tested and found to comply with the limits for a Class B digital device, pursuant to Part 15 of the FCC Rules. These limits are designed to provide reasonable protection against harmful interference in a residential installation. This equipment generates uses and can radiate radio frequency energy and, if not installed and used in accordance with the instructions, may cause harmful interference to radio communications. However, there is no guarantee that interference will not occur in a particular installation. If this equipment does cause harmful interference to radio or television reception, which can be determined by turning the equipment off and on, the user is encouraged to try to correct the interference by one or more of the following measures:

- Reorient or relocate the receiving antenna.
- Increase the separation between the equipment and receiver.
- Connect the equipment into an outlet on a circuit different from that to which the receiver is connected.
- Consult the dealer or an experienced radio/television technician for help.

Labelling: Changes or modifications to this unit not expressly approved by the manufacturer could void the user's authority to operate the equipment.

ConnectPlus module only (or similar communication module)

RF Exposure - This device is only authorized for use in a mobile application. At least 20 cm of separation distance between the **ConnectPlus** device and the user's body must be maintained at all times.

AUTOFILL PITCHER (on some models)

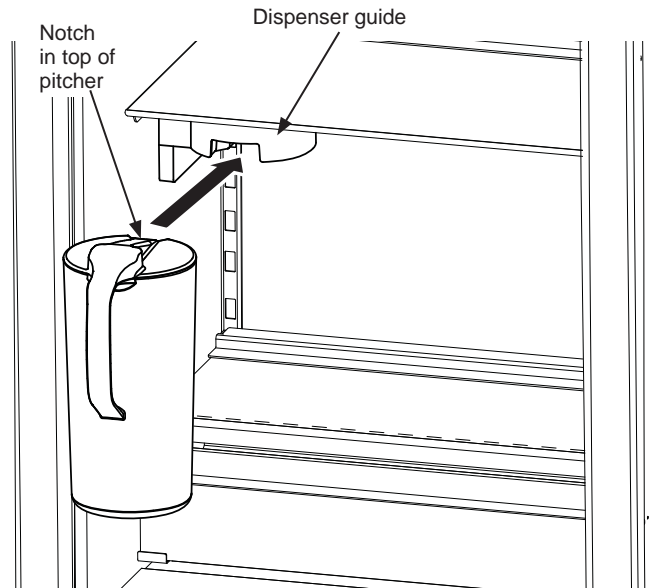
The AutoFill pitcher is designed for hands-free, refilling of the pitcher for a constant supply of fresh water.

1. Place the lid onto the pitcher so it fits securely. Align the notch in the pitcher lid to the dispenser guide in the top of the refrigerator and slide the pitcher toward the back of the refrigerator until it stops. There may be up to a 5 second response time before water starts to fill the pitcher. **NOTE:** The pitcher should rest flat on the glass surface.
2. Water will fill the pitcher until it reaches a specified level and will then shut off. It is normal for the water level to be below the top of the pitcher.

NOTE: If you remove the pitcher before the water stops, water may drip on the shelf.

When you replace the pitcher back under the dispenser, it will refill the pitcher back to the specified level.

The AutoFill pitcher and lid are dishwasher safe. It is recommended to clean them at a minimum of once per month.



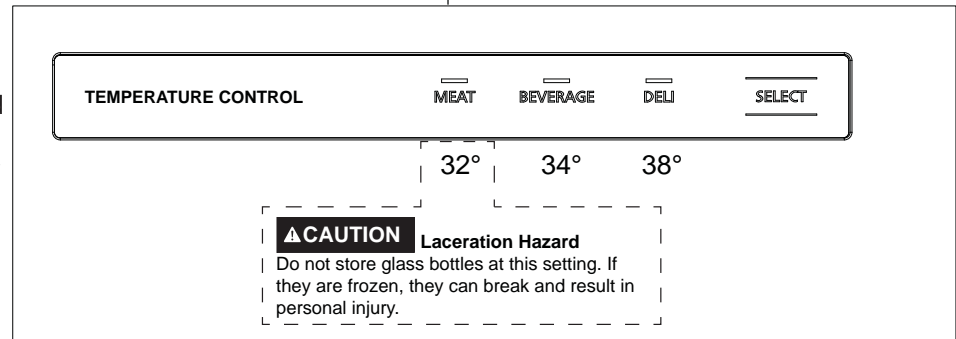
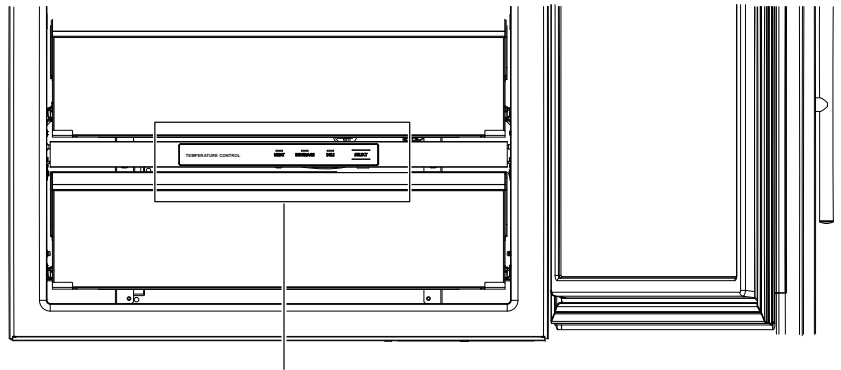
DRAWERS/SHELVES/BINS

REFRIGERATOR - TEMPERATURE CONTROLLED DRAWER (on some models)

The temperature controlled drawer has an adjustable temperature control. This drawer can be used for miscellaneous items.

To change the setting, press the Select button.

NOTE: Temperatures indicate the appropriate temperatures for the food and actual temperatures may vary based on normal operation and other factors such as door openings and fresh food set point.



REFRIGERATOR - HUMIDITY CONTROLLED DRAWER

The humidity controlled drawer contains a sliding control to let you control the amount of cold air entering the drawers.

Slide the control all the way to the MORE setting and the drawer provides higher humidity levels recommended for most leafy vegetables.

Slide the control all the way to the LESS setting and the drawer provides lower humidity levels recommended for most fruits.

Excess water that may accumulate in the bottom of the drawers should be emptied and the drawers wiped dry.

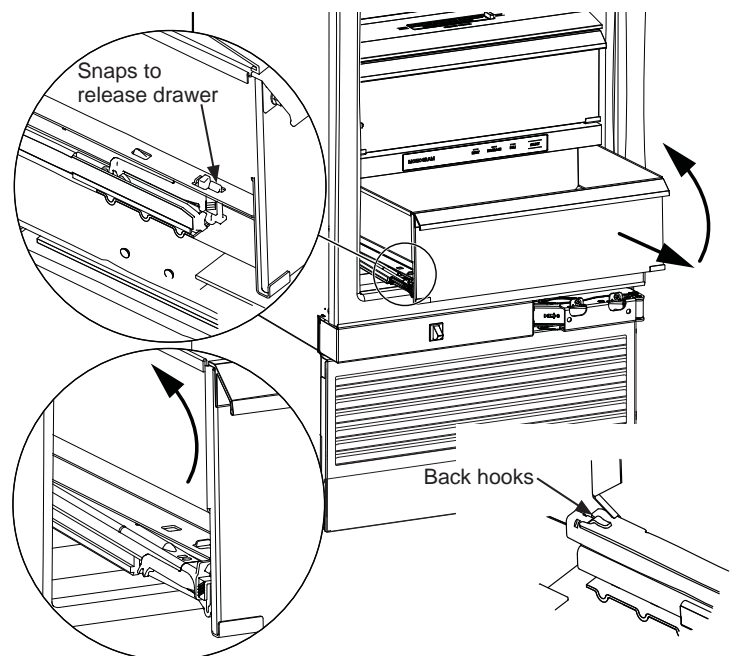


REFRIGERATOR DRAWER REMOVAL

Drawers in the refrigerator will stop before coming all the way out, to help prevent contents from spilling onto floor.

To remove a drawer: Pull the drawer out and press the snaps at the front of both sides to release the drawer. Lift the front of the drawer up while pulling forward to move the pan free of the back slide hooks.

To replace a drawer: Place the back of the pan under the hooks on the back of the slides. Rotate the drawer down until the front snaps are securing the front of the pan.



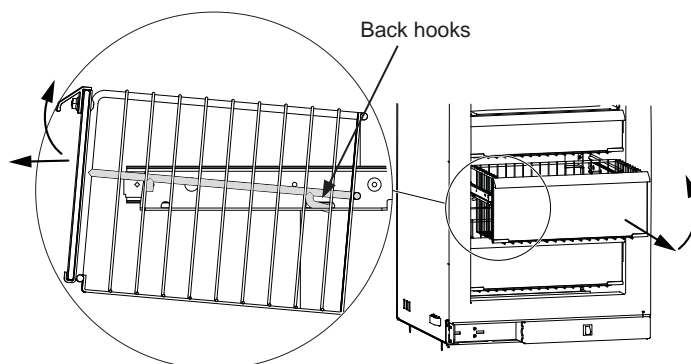
DRAWERS/SHELVES/BINS

FREEZER DRAWER REMOVAL

Drawers in the freezer will stop before coming all the way out, to help prevent contents from spilling onto floor.

To remove a drawer: Pull the drawer out and lift the front up and clear of the slide. Continue lifting up while pulling forward to release the back hook.

To replace a drawer: Place the back hooks into the back slots of the slides. Rotate the drawer down until the front locator pins are seated into the front slots of the slides..



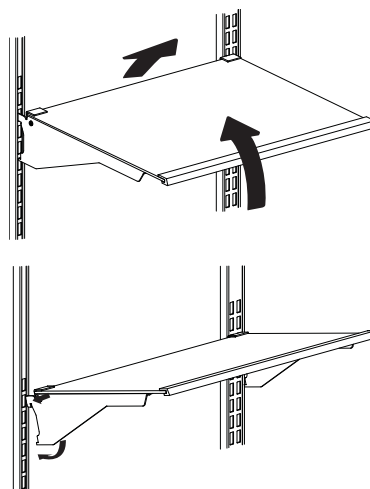
ADJUSTABLE SHELVES

Tempered glass shelves in the refrigerator and freezer enable you to make efficient shelf arrangements to fit your family's food storage needs.

To remove shelves: Tilt shelf up at front, then lift it up and out of tracks on rear wall of refrigerator/freezer.

CAUTION Handle glass shelves carefully. Glass shelves and covers may break if exposed to impact, such as bumping or dropping. Tempered glass is designed to shatter into many small pieces if it breaks.

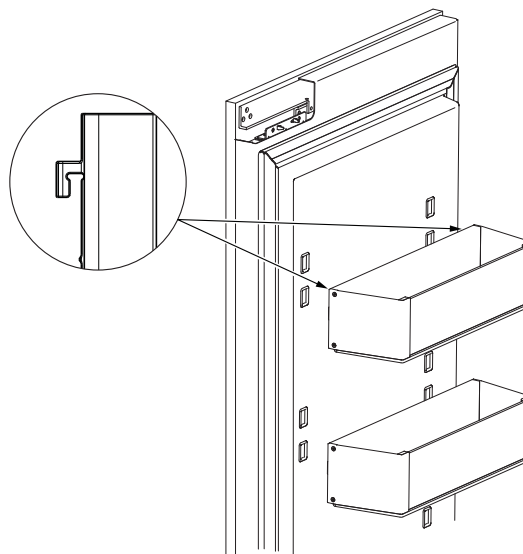
To replace shelves: Select desired shelf height. With shelf front raised slightly, engage top lugs in tracks at rear of cabinet. Then lower front of shelf until it locks into position.



DOOR BINS

All door bins are adjustable and can be moved up and down to meet your storage needs.

To remove: Lift the bin up and slide it towards you.



SABBATH MODE

Sabbath Mode was designed for use on the Jewish Sabbath and Holidays. The Sabbath Mode feature makes it possible for observant Jews to refrigerate and freeze food during the duration of the holiday.

The Sabbath Mode feature can be set to override typical reactions to actions in your appliance. While in the Sabbath Mode, your appliance will still operate normally. However, the appliance will not respond to your actions.

While in the Sabbath Mode, you may notice the fan running when the door is opened; however, this is not a result of your actions. The fan will operate at random times. The defrost heater will continue to defrost the appliance and freezer and will be activated on a timer. The defrost heater will not defrost as a result of door openings or any consumer actions.

DISPLAYS, ALARMS and LIGHTS —The main temperature control displays will be deactivated; therefore they will not be lit, sound a tone or operate when touched. Door alarms will be disabled. Lights will always be off.

ICEMAKER and AUTOFILL PITCHER —The icemaker will be off in Sabbath Mode. To obtain ice, open the freezer door and remove the cubed ice from the ice bin. AutoFill pitcher will not operate.

To turn on Sabbath Mode, press and hold both (+) and **DOOR ALARM** pads until the display shows SABBATH MODE.

Repeat the process to turn off Sabbath Mode. Sabbath Mode will also automatically exit this feature state after 4 calendar days or 96 hours. Temperature set point will be displayed.

CARE AND CLEANING

Door handles and trim—Clean with a cloth dampened with soapy water. Dry with a soft cloth.

Main Control—Clean with a glass cleaner and dry with a soft cloth. While cleaning, it is possible to activate key pads and change the unit settings and modes. If this happens, wait 2 minutes and then use the appropriate key pad touches to return the controls to the desired settings/modes.

Keep the outside clean. Wipe with a clean cloth lightly dampened with mild liquid dish detergent. Dry with a clean, soft cloth.

Do not wipe the refrigerator/freezer with a soiled dish cloth or wet towel. These may leave a residue that can damage the finish. Do not use scouring pads, powdered cleaners, bleach or cleaners containing bleach because these products can scratch and damage the finish.

STAINLESS STEEL - Outside surfaces, door handles, and trim

NOTE: DO NOT allow stainless steel cleaner to come in contact with any plastic parts such as trim pieces, handle hardware and liners. If unintentional contact of cleaners with plastic parts does occur, clean plastic part with a sponge and mild detergent mixed with warm water.

DO USE	DO NOT USE
Soft, clean cloth or sponge	Abrasive cloths, scrubbing sponges, scouring or steel wool pads
Mild detergent mixed with warm water Approved stainless steel cleaners; Visit the Monogram parts store for approved stainless steel cleaners: Monogram.com Cleaners with oxalic acid such as Bar Keepers Friend Soft Cleanser™ can be used to remove surface rust, tarnish and small blemishes on stainless steel surfaces only.	Abrasive powders or sprays Window Sprays or Ammonia Citrus or plant oil-based cleaners Acidic or vinegar-based cleaners Oven cleaners Cleaners containing acetone (propanone) Any cleaner with WARNING about plastic contact

CARE AND CLEANING

CLEANING INSIDE

To help prevent odors, leave an open box of baking soda in the unit.

Turn off power at the circuit breaker or fuse box before cleaning. If this is not practical, wring excess moisture out of sponge or cloth when cleaning around switches, lights or controls.

Use warm water and baking soda solution—about a tablespoon (15 ml) of baking soda to a quart (1 liter) of water. This both cleans and neutralizes odors. Thoroughly rinse and wipe dry.

Other parts of the refrigerator/freezer—including door gaskets, meat and vegetable drawers, ice storage bin and all plastic parts—can be cleaned the same way.

CAUTION Do not clean glass shelves or covers with warm water when they are cold. Glass shelves and covers may break if exposed to sudden temperature changes or impact, such as bumping or dropping. Tempered glass is designed to shatter into many small pieces if it breaks.

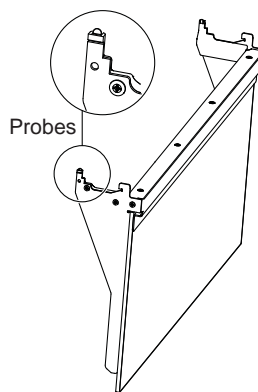
Do not wash any plastic refrigerator/freezer parts in the dishwasher.

The AutoFill pitcher and lid are dishwasher safe. It is recommended to clean them at a minimum of once per month.

CLEANING LED LIGHTED SHELVES

If glass shelves with integrated LED lights are removed for cleaning, be sure to protect the probes at the back of the shelves and do NOT support the shelves by the probes or damage may occur.

Do not immerse shelves in water.



PREPARING FOR VACATION

Set the icemaker power switch to the OFF position and be sure to shut off the water supply to the refrigerator.

For long vacations or absences, remove food from the refrigerator/freezer. Set the control to OFF, and clean the interior with a baking soda solution of one tablespoon (15 ml) of baking soda to one quart (1 liter) of water. Leave the door open.

For shorter vacations, remove perishable foods and leave controls at regular settings. However, if the room temperature is expected to drop below 60°F (16°C), follow the same instructions as for long vacations.

LIGHT BULB REPLACEMENT

For LED light replacement, visit monogram.com.

PREPARATION

REFRIGERATOR/FREEZER LOCATION

- Do not install the refrigerator/freezer where the temperature will go below 55°F (13°C). It will not run often enough to maintain proper temperatures.
- Do not install the refrigerator/freezer where temperatures will go above 100°F (37°C). It will not perform properly.
- Do not install the refrigerator/freezer in a location exposed to water (rain, etc.) or direct sunlight.
- Install it on a floor strong enough to support it fully loaded.

For proper installation, the refrigerator/freezer must be placed on a level surface of hard material the same height as the rest of the flooring. This surface should be strong enough to support a fully loaded refrigerator/freezer, or approximately 1,200 lbs. each. See the Installation Instructions for complete directions.

TROUBLESHOOTING TIPS

PROBLEM	POSSIBLE CAUSE
REFRIGERATOR/ FREEZER DOES NOT OPERATE	May be in defrost cycle when motor does not operate for about 45 minutes.
	Temperature control in the OFF position.
	If interior light is not on, refrigerator/freezer may not be plugged in at wall outlet.
	The house fuse is blown/house circuit breaker is tripped. Replace fuse or reset the breaker.
	Unit master switch may not be turned on.
	Sabbath Mode may be activated. Turn off the Sabbath Mode.
MOTOR OPERATES FOR LONG PERIODS OR CYCLES ON AND OFF FREQUENTLY (Modern refrigerators and freezers with more storage space and a larger freezer require more operating time. They start and stop often to maintain even temperatures.)	Normal when refrigerator/freezer is first plugged in. Wait 24 hours for the refrigerator/freezer to completely cool down.
	Often occurs when large amounts of food are placed in refrigerator/ freezer. This is normal.
	Door left open or package holding door open.
	Hot weather or frequent door openings. This is normal.
	Temperature controls set at the coldest setting. See <i>Temperature Controls</i> .
VIBRATION OR RATTLING (Slight vibration is normal.)	Refrigerator may not be properly installed.
THUMPING SOUND WHEN DOOR IS CLOSED	This is a normal operating sound.
	The mechanism that closes the door makes a slight thumping sound as it passes over its lever point, at approximately 80 degrees.
	Closing the door slowly will minimize the sound.
OPERATING SOUNDS	Normal fan air flow. Fan cools the compressor motor.
	The fans change speeds in order to provide optimal cooling and energy savings.
	These NORMAL sounds will also be heard from time to time: <ul style="list-style-type: none"> – You may hear a whooshing or gurgling sound when the doors close. This is due to pressure equalizing within the refrigerator/freezer. – A water dripping noise may occur during the defrost cycle as ice melts from the evaporator and flows into the drain pan. – The flow of refrigerant through the refrigerator/freezer cooling coils may make a gurgling noise like boiling water. – Water dropping on the defrost heater can cause a sizzling, popping or buzzing sound during the defrost cycle. – You may hear cracking or popping sounds when the refrigerator/freezer is first plugged in or during/after the defrost cycle. This happens as the refrigerator/freezer cools to the correct temperature. – The compressor may cause a clicking or chirping sound when attempting to restart (this could take up to 5 minutes). – The electronic control board may cause a clicking sound when relays activate to control refrigerator/freezer components. – Ice cubes dropping into the bin. – The icemaker water valve will buzz and water will run in tubes when the icemaker and AutoFill pitcher fills with water.

TROUBLESHOOTING TIPS

PROBLEM	POSSIBLE CAUSE
DOOR NOT CLOSING PROPERLY	Package may be holding door open.
	Check the door gasket; it may be out of position.
	Refrigerator is not level. See Installation Instructions.
	Door panels may not have clearance to surrounding cabinetry. Increase clearance.
REFRIGERATOR/ FREEZER TOO WARM	Temperature control not set cold enough. See Temperature Control.
	Warm weather or frequent door openings.
	Door left open for long time.
	Package may be holding door open.
ACTUAL TEMPERATURE NOT EQUAL TO SET TEMPERATURE	Refrigerator just plugged in. Allow 24 hours for system to stabilize.
	Door open for too long. Allow 24 hours for system to stabilize.
	Warm food added to refrigerator/freezer. Allow 24 hours for system to stabilize.
	Defrost cycle is in process. Allow 24 hours for system to stabilize.
FROST OR ICE CRYSTALS ON FROZEN FOOD (Frost within package is normal.)	Door left open or package holding door open.
	Too frequent or too long door openings.
SLOW ICE CUBE FREEZING	Door may have been left open.
	Turn temperature control to a colder temperature.
	Packages may be holding door open.
ICE CUBES HAVE ODOR/TASTE	Old cubes need to be discarded.
	Ice storage bin needs to be emptied and washed.
	Unsealed packages in freezer may be transmitting odor/taste to ice.
	Interior of freezer needs cleaning. See Care and Cleaning.
	Poor-tasting incoming water. Replace water filter.
AUTOMATIC ICEMAKER DOES NOT WORK	Icemaker power switch is in the O (off) position.
	Water supply turned off or not connected.
	Freezer too warm.
	Piled up cubes in storage bin may cause icemaker to shut off too soon. Level cubes by hand.
	Icemaker may be disabled at the temperature control Turn on icemaker.
SMALL OR HOLLOW CUBES	Water filter clogged. Replace the filter or use the filter bypass plug.
	Check for a connection to a Reverse Osmosis water system. If an RO is connected, remove the water filter and install the original bypass plug that came with the unit.
MOISTURE FORMS ON OUTSIDE OF REFRIGERATOR/ FREEZER	Not unusual during periods of high humidity. Wipe surface dry.
	Controlling humidity and temperature in the kitchen with air conditioning will eliminate this condition.
AUTOFILL PITCHER DOES NOT WORK	Water supply turned off or not connected.
	Pitcher is not detected. Remove pitcher and re-seat into dispenser.

TROUBLESHOOTING TIPS

PROBLEM	POSSIBLE CAUSE
MOISTURE COLLECTS INSIDE	Too frequent or long door openings.
	In humid weather, air carries moisture into refrigerator/freezer when doors are opened.
	Control humidity and temperature in the kitchen with air conditioning.
REFRIGERATOR/FREEZER HAS ODOR	Foods with strong odors should be tightly covered.
	Check for spoiled food.
	Interior needs cleaning. See <i>Care and Cleaning</i> .
	Defrost water system beneath unit needs cleaning.
	Air filter life has expired. Replace air filter.
	Keep open box of baking soda in refrigerator/freezer; replace every 3 months.
INTERIOR LIGHT DOES NOT WORK	No power at outlet.
	LED light needs replacing. See Schedule Service.
	The Sabbath Mode may be activated and operating. Turn off Sabbath Mode.
DOOR DIFFICULT TO REOPEN IMMEDIATELY AFTER CLOSING	Tight door seal is due to pressure equalizing within the refrigerator.
	After closing the door, wait 5–30 seconds to reopen.

PERFORMANCE DATA SHEET Model: XWF or XWFE

- System certified by IAPMO R&T against NSF/ANSI Standards 42, 53, 401, P473 for the reduction of claims specified on the performance data sheet and at iapmort.org.
- Actual performance may vary with local water conditions.

Substance Tested for Reduction	Influent challenge concentration (mg/L)	Maximum permissible product water concentration (mg/L)	Avg % Reduction
Chlorine Taste and Odor	2.0 mg/L +/- 10%	N/A	96.9
Chloramine Taste and Odor	3.0 mg/L +/- 10%	0.5	96.9
Particulate, Class I	At least 10,000/mL	N/A	91.4
Cysts	50,000/L	N/A	>99.99
Lead	0.15	0.01	98.85
Mercury	0.006	0.002	96.3
Asbestos	107 to 108 fibers/ L	N/A	>99
Toxaphene	0.015 +/- 10%	0.003	86.95
VOC (Chloroform surrogate chemical)	0.300	0.015	99.7
Alachlor	0.050	0.001	> 98
Atrazine	0.100	0.003	> 97
Benzene	0.081	0.001	> 99
Carbofuran	0.190	0.001	> 99
carbon tetrachloride	0.078	0.0018	98
chlorobenzene	0.077	0.001	> 99
chloropicrin	0.015	0.0002	99
2,4-D	0.110	0.0017	98
dibromochloropropane (DBCP)	0.052	0.00002	> 99
o-Dichlorobenzene	0.08	0.001	> 99
p-Dichlorobenzene	0.040	0.001	> 98
1,2-dichloroethane	0.088	0.0048	95
1,1-dichloroethylene	0.083	0.001	> 99
cis-1,2-dichloroethylene	0.170	0.0005	> 99
trans-1,2-dichloroethylene	0.086	0.001	> 99
1,2-dichloropropane	0.080	0.001	> 99
cis-1,3-dichloropropylene	0.079	0.001	> 99
dinoseb	0.170	0.0002	99
Endrin	0.053	0.00059	99
Ethylbenzene	0.088	0.001	> 99
ethylene dibromide (EDB)	0.044	0.00002	> 99
bromochloroacetonitrile	0.022	0.0005	98
dibromoacetonitrile	0.024	0.0006	98
dichloroacetonitrile	0.0096	0.0002	98
trichloroacetonitrile	0.015	0.0003	98
1,1-dichloro-2-propanone	0.0072	0.0001	99
1,1,1-trichloro-2-propanone	0.0082	0.0003	96
heptachlor (H-34, Heptox)	0.025	0.00001	>99
heptachlor epoxide	0.0107	0.0002	98
hexachlorobutadiene	0.044	0.001	> 98
hexachlorocyclopentadiene	0.060	0.000002	> 99
Lindane	0.055	0.00001	> 99
methoxychlor	0.050	0.0001	> 99
pentachlorophenol	0.096	0.001	> 99
simazine	0.120	0.004	> 97
Styrene	0.150	0.0005	> 99
1,1,2,2-tetrachloroethane	0.081	0.001	> 99
Tetrachloroethylene	0.081	0.001	> 99
Toluene	0.078	0.001	> 99
2,4,5-TP (silvex)	0.270	0.0016	99
tribromoacetic acid	0.042	0.001	> 98
1,2,4-Trichlorobenzene	0.160	0.0005	> 99
1,1,1-trichloroethane	0.084	0.0046	95
1,1,2-trichloroethane	0.150	0.0005	> 99
trichloroethylene	0.180	0.0010	> 99
bromoform	0.300	0.015	95
bromodichloromethane	0.300	0.015	95
chlorodibromomethane	0.300	0.015	95
xylenes	0.070	0.001	>99
Meprobamate	400 +/- 20%	60	95.5
Atenolol	200 +/- 20%	30	95.9
Carbamazepine	1400 +/- 20%	200	98.6
DEET	1400 +/- 20%	200	98.6
Metolachlor	1400 +/- 20%	200	98.7
Trimethoprim	140 +/- 20%	20	96.1
Linuron	140 +/- 20%	20	96.6
TCEP	5000 +/- 20%	700	98.1
TCPP	5000 +/- 20%	700	98.1
Phenytoin	200 +/- 20%	30	96
Ibuprofen	400 +/- 20%	60	95.9
Naproxen	140 +/- 20%	20	96.5
Estrone	140 +/- 20%	20	97.1
Bisphenol A	2000 +/- 20%	300	99.1
Nonyl phenol	1400 +/- 20%	200	97.3
PFOA/PFOS	1.5 mg/L +/- 10%	0.07	99.25

Application Guidelines/Water Supply Parameters

Service Flow	0.5 gpm (1.89 lpm)
Water Supply	Potable Water
Water Pressure	25-120 psi (172-827 kPa)
Water Temperature	33°F-100°F (0.6°C-38°C)
Capacity	170 gallons (643.5 liters)

It is essential that the manufacturer's recommended installation, maintenance and filter replacement requirements be carried out for the product to perform as advertised. See Installation Manual for Warranty information.

NOTE: While the testing was performed under standard laboratory conditions, actual performance may vary. Replacement Cartridge: XWF or XWFE. For estimated costs of replacement elements please visit our website at gewaterfilters.com.

⚠ WARNING To reduce the risk associated with ingestion of contaminants:

- Do not use with water that is microbiologically unsafe or of unknown quality without adequate disinfection before and after the system. Systems certified for cyst reduction may be used on disinfected water that may contain filterable cysts.

NOTICE

To reduce the risk of water leakage or flooding, and to ensure optimal filter performance:

- Read and follow use instructions before installation and use of this system.
- Installation and use **MUST** comply with all state and local plumbing codes.
- Do not install if water pressure exceeds 120 psi (827 kPa). If your water pressure exceeds 80 psi (552 kPa), you **must** install a pressure-limiting valve. Contact a plumbing professional if you are uncertain how to check your water pressure.
- Do not install where water hammer conditions may occur. If water hammer conditions exist you **must** install a water hammer arrester. Contact a plumbing professional if you are uncertain how to check for this condition.
- Do not install on hot water supply lines. The maximum operating water temperature of this filter system is 100° F (38° C).
- Protect filter from freezing. Drain filter when temperatures drop below 33°F (0.6°C).
- Change the disposable filter cartridge every six months or sooner if you observe a noticeable reduction in water flow rate.
- Failure to replace the disposable filter cartridge at recommended intervals may lead to reduced filter performance and cracks in the filter housing, causing water leakage or flooding.
- This System has been tested according to NSF/ANSI 42, 53, 401 and P473 for the reduction of the substances listed below. The concentration of the indicated substances in water entering the system was reduced to a concentration less than or equal to the permissible limit for water leaving the system, as specified in NSF/ANSI 42, 53, 401 and P473.



XWF or XWFE System is certified by IAPMO R&T against NSF/ANSI Standards 42, 53, 401 and P473 for the reduction of claims specified on the performance data sheet and at iapmort.org.

MONOGRAM LIMITED WARRANTY

Monogram.com

All warranty service is provided by our Factory Service Centers, or an authorized Customer Care® technician. To schedule service online, visit us at monogram.com/contact. In Canada, visit monogram.ca.

Servicing your refrigerator may require the use of the onboard data port for diagnostics. This gives a Monogram Factory Service technician the ability to quickly diagnose any issues with your appliance and helps Monogram improve its products by providing Monogram with information on your appliance. If you do not want your appliance data to be sent to Monogram, please advise your technician NOT to submit the data to Monogram at the time of service.

For the period of	Monogram Appliances will replace
Limited two-year warranty	For two years from date of original purchase, we will provide, free of charge, parts and service labor in your home to repair or replace any part of the refrigerator or freezer that fails because of a manufacturing defect.
Limited five-year warranty	For five years from date of original purchase, we will provide, free of charge, parts and service labor in your home to repair or replace any part of the sealed refrigerating system (the compressor, condenser, evaporator and all connecting tubing) that fails because of a manufacturing defect.
Limited additional sixth- through twelfth-year warranty on the sealed system	For the sixth through twelfth year from the date of the original purchase, we will provide, free of charge, replacement parts for any part of the sealed refrigerating system (the compressor, condenser, evaporator and all connecting tubing) that fails because of a manufacturing defect. You pay for the service trip to your home and for service labor charges.
Limited thirty-day warranty on water filter cartridge (Water filter, if included)	From the date of the original purchase we will provide, free of charge, replacement parts for any part of the water filter cartridge that fails because of a manufacturing defect. During this limited thirty-day warranty, we will also provide, free of charge, a replacement water filter cartridge.

What Monogram will not cover:

- Service trips to your home to teach you how to use the product.
- Replacement of house fuses or resetting of circuit breakers.
- Damage to the product caused by accident, fire, floods or acts of God.
- Failure of the product if it is used for other than its intended purpose or used commercially.
- Damage caused after delivery.
- Improper installation, delivery or maintenance. If you have an installation problem, contact your dealer or installer. You are responsible for providing adequate electrical, plumbing and other connecting facilities.
- Replacement of the light bulbs, if included, or water filter cartridge, if included, other than as noted above.
- Replacement of the water filter cartridge, if included, due to water pressure that is outside the specified operating range or due to excessive sediment in the water supply.
- Loss of food due to spoilage (in the USA only).
- Incidental or consequential damage caused by possible defects with this appliance.
- Product not accessible to provide required service.
- Damage caused by a non-GE Appliances brand water filter.

EXCLUSION OF IMPLIED WARRANTIES

Your sole and exclusive remedy is product repair as provided in this Limited Warranty. Any implied warranties, including the implied warranties of merchantability or fitness for a particular purpose, are limited to one year or the shortest period allowed by law.

This limited warranty is extended to the original purchaser and any succeeding owner for products purchased for home use within the USA. If the product is located in an area where service by a Monogram Appliances Authorized Servicer is not available, you may be responsible for a trip charge or you may be required to bring the product to an Authorized Monogram Appliances Service location for service. In Alaska, the limited warranty excludes the cost of shipping or service calls to your home.

Some states do not allow the exclusion or limitation of incidental or consequential damages. This limited warranty gives you specific legal rights, and you may also have other rights which vary from state to state. To know what your legal rights are, consult your local or state consumer affairs office or your state's Attorney General.

Warrantor: GE Appliances, a Haier company, Louisville KY,40225

Warrantor in Canada: MC Commercial, Burlington, ON, L7R 5B6

Staple your receipt here. Proof of the original purchase date is needed to obtain service under the warranty.

NOTES

NOTES





MANUEL D'UTILISATION

Congélateurs colonnaires encastrés de 18, 24, 30 et 36 po
Réfrigérateurs colonnaires encastrés de 24, 30 et 36 po

FRANÇAIS

MONOGRAM.COM

TABLE DES MATIÈRES

RENSEIGNEMENTS CONCERNANT LE MODÈLE	2
SOUTIEN AU CONSOMMATEUR	3
RENSEIGNEMENTS CONCERNANT LA SÉCURITÉ.....	4
COMMANDES.....	6
MACHINE À GLAÇONS AUTOMATIQUE (MODÈLES CONGÉLATEUR).....	7
FILTRE À EAU	8
FILTRE À AIR (MODÈLES RÉFRIGÉRATEUR)	9
COMMUNICATION AVEC LES ÉLECTROMÉNAGERS.....	10
PICHET À REMPLISSAGE AUTOMATIQUE	11
TIROIRS / ÉTAGÈRES / BACS	12
MODE SABBAT	14
ENTRETIEN ET NETTOYAGE.....	14
PRÉPARATIONN	16
DÉPANNAGE	17
FICHE TECHNIQUE DE PERFORMANCE	20
GARANTIE LIMITÉE DE MONOGRAM.....	21

RENSEIGNEMENTS CONCERNANT LE MODÈLE

NUMÉROS DE MODÈLES

ZIF181, ZIF241, ZIF301 et ZIF361

ZIR241, ZIR301 et ZIR361

ÉCRIVEZ LES NUMÉROS DE MODÈLE ET DE SÉRIE

Cette information se trouve sur une étiquette sur la paroi intérieure du côté de la charnière de votre appareil. L'étiquette du réfrigérateur est située à côté du tiroir à humidité contrôlée. L'étiquette du congélateur est située à côté tiroir à glaçons.

Utilisez ces numéros dans toute correspondance ou dans tous vos appels de service relatifs à votre réfrigérateur/ congélateur.

Veillez écrire ces numéros ici :

Numéro du modèle

Numéro de série

SOUTIEN AU CONSOMMATEUR

SITE WEB DE MONOGRAM

Vous avez des questions ou besoin d'aide avec votre réfrigérateur? Essayez le site Web de Monogram. Ce site est disponible 24 heures par jour, et tous les jours de l'année! Vous pouvez aussi magasiner d'autres magnifiques produits Monogram et profiter de tous les services de soutien en ligne conçus pour votre commodité.

Aux É.-U. : monogram.com. Au Canada : monogram.ca

ENREGISTREZ VOTRE ÉLECTROMÉNAGER

Enregistrez votre nouvel appareil en ligne au moment qui vous convient le mieux! L'enregistrement de votre produit dans les délais prescrits permet une meilleure communication et un service rapide, selon les modalités de votre garantie, si besoin est. Vous pouvez également envoyer par courrier la carte d'enregistrement pré-imprimée qui se trouve dans l'emballage de votre appareil.

Aux États-Unis : monogram.com/register

Au Canada: Prodsupport.mabe.ca/crm/Products/ProductRegistration.aspx

SERVICE DE RÉPARATION

Un service de réparation expert GE Appliances se trouve à quelques pas de chez vous. Rendez-vous sur notre site et programmez, à votre convenance, une visite de réparation à n'importe quel jour de l'année.

Aux États-Unis monogram.com

Au Canada : monogram.ca

CONNEXION À DISTANCE

Pour de l'assistance concernant la connexion à un réseau sans fil (modèles équipés de cette fonction), visitez notre site sur monogram.com/connect aux États-Unis seulement.

PIÈCES ET ACCESSOIRES

Les personnes qualifiées pour réparer leurs propres appareils peuvent commander des pièces détachées et des accessoires et les faire envoyer directement à leur domicile (les cartes VISA, MasterCard et Discover sont acceptées). Commandez en ligne 24 heures par jour.

Aux États-Unis : monogram.com/use-and-care/parts

Les instructions contenues dans le présent manuel comportent des procédures que tout utilisateur peut effectuer. Les autres types de réparation doivent généralement être confiés à un technicien qualifié. Usez de prudence : une réparation ou un entretien mal effectués peuvent rendre l'utilisation de l'appareil dangereuse.

Les consommateurs au Canada doivent consulter le centre de service Mabe le plus proche, visiter notre site Web sur Monogram.ca

COMMUNIQUEZ AVEC NOUS

Si vous êtes insatisfait du service reçu par Monogram, communiquez avec nous par l'entremise de notre site Web en mentionnant tous les détails y compris votre numéro de téléphone, ou écrivez :

Aux États-Unis : General Manager, Customer Relations | Monogram Appliances, Appliance Park | Louisville, KY 40225
monogram.com/contact

RENSEIGNEMENTS IMPORTANTS CONCERNANT LA SÉCURITÉ

LISEZ TOUTES LES INSTRUCTIONS AVANT D'UTILISER LE RÉFRIGÉRATEUR

⚠ AVERTISSEMENT Pour réduire le risque d'incendie, d'explosion, de choc électrique ou de blessures lorsque vous utilisez votre réfrigérateur, veuillez suivre ces consignes de sécurité :

- Ce réfrigérateur doit être correctement installé conformément aux Consignes d'Installation avant toute utilisation.
- Débranchez le réfrigérateur avant d'effectuer une réparation ou de le nettoyer.
Remarque : L'alimentation du réfrigérateur ne peut être déconnectée par aucune des fonctions sur le panneau de commande.
Remarque : Les réparations doivent être effectuées par un professionnel qualifié.
- Remettez toutes les pièces et panneaux en place avant d'utiliser l'appareil.
- N'utilisez pas un cordon de rallonge.
- Conservez les matériaux et vapeurs inflammables à l'écart de votre réfrigérateur.
- N'entrez pas dans cet électroménager des substances explosives telles que des bombes aérosols qui contiennent un gaz propulseur.
- Pour éviter les risques d'asphyxie et d'enfermement pour les enfants. Démontez les portes du congélateur et du compartiment de réfrigération avant de le mettre au rebut ou d'interrompre son utilisation.
- Afin de prévenir les accidents graves ou la mort, les enfants ne doivent pas se tenir ni jouer dans ou sur l'électroménager.
- Les enfants et les personnes dont les capacités sont réduites sur le plan physique, sensoriel ou mental, ou qui manquent d'expérience ou de connaissances, peuvent utiliser cet électroménager seulement si elles sont surveillées ou ont reçues des consignes de sécurité sur son usage et les risques y sont associés.
- Cet électroménager est conçu pour une utilisation domestique et applications similaires : salle du personnel dans une usine, un bureau ou d'autres lieux de travail; maison de ferme; clients dans un hôtel, un motel, un gîte touristique et d'autres lieux résidentiels; approvisionnement et applications similaires non reliées au commerce de détail.
- Raccordez l'appareil à une alimentation d'eau potable seulement. Une alimentation d'eau froide est requise pour faire fonctionner la machine à glaçons et le pichet à remplissage automatique. La pression d'eau doit se situer entre 40 et 120 psi. (275 à 827 kPa)
- N'appliquez pas de nettoyeurs corrosifs sur le réfrigérateur. Certains nettoyeurs endommagent le plastique et peuvent ainsi causer le détachement inopiné de pièces telles que porte ou poignées de porte. Voyez la section Entretien et nettoyage pour des instructions détaillées.

⚠ ATTENTION Pour réduire le risque de blessures lorsque vous utilisez votre réfrigérateur, veuillez suivre ces consignes de sécurité.

- Ne nettoyez pas les clayettes ou les couvercles en verre avec de l'eau tiède quand ceux-ci sont froids. Les clayettes et couvercles en verre peuvent se casser s'ils sont exposés à des changements soudains de température ou si vous les cognez ou les faites tomber. Le verre trempé est conçu pour se briser en petits morceaux en cas de casse
- Éloignez les doigts des parties du congélateur où l'on peut facilement se pincer : les espaces entre les portes, et entre les portes et les placards sont toujours étroits. Soyez prudent lorsque vous fermez les portes en présence d'enfants.
- Ne touchez pas les surfaces froides du congélateur lorsque vous avez les mains humides ou mouillées. La peau risque d'adhérer à ces surfaces extrêmement froides.
- Ne recongelez pas les aliments surgelés qui ont complètement dégelé.
- Si votre réfrigérateur est doté d'une machine à glaçons automatique, évitez le contact avec les pièces mobiles du mécanisme éjecteur, ou avec l'élément chauffant qui libère les glaçons. Ne posez pas les doigts ou les mains sur le mécanisme de la machine à glaçons automatique pendant que le réfrigérateur est branché.

⚠ AVERTISSEMENT  **RISQUE D'INCENDIE OU D'EXPLOSION Réfrigérant inflammable**

Cet appareil contient un gaz réfrigérant avec isobutane aussi connu sous R600a, un gaz naturel à compatibilité élevée avec l'environnement. Il s'agit cependant d'un combustible. Observez les consignes de sécurité ci-dessous afin de réduire le risque de blessure ou de dommage à la propriété.

1. Lors de la manipulation, de l'installation et de l'utilisation de cet appareil, prenez soin de ne pas endommager la tubulure du réfrigérant.
2. L'entretien ou la réparation doivent être effectués par un personnel de service autorisé. Utilisez seulement des pièces de rechange autorisées par le fabricant.
3. Mettez le réfrigérateur au rebut conformément aux réglementations fédérales et locales. Le gaz réfrigérant inflammable et les matériaux d'isolation utilisés dans ce produit requièrent des procédures de mise au rebut spéciales. Communiquez avec les autorités locales compétentes pour la mise au rebut de votre réfrigérateur sans danger pour l'environnement.
4. N'obstruez pas les orifices de ventilation dans les enceintes ou la structure d'encastrement de l'appareil.
5. Pour enlever le givre, grattez à l'aide d'un grattoir ou d'une spatule en plastique ou en bois. N'utilisez pas de pic à glace ou un instrument métallique à bord tranchant pour éviter de perforer la cuve interne du congélateur et la tubulure du gaz réfrigérant derrière cette dernière.
6. N'utilisez pas d'appareils électriques dans le compartiment de rangement des aliments de cet appareil.
7. N'utilisez aucun appareil électrique pour dégivrer votre congélateur.

Mise au rebut des produits réfrigérants et en mousse

Mettez l'électroménager au rebut conformément à la réglementation fédérale et locale. Les réfrigérants inflammables utilisés nécessitent des procédures d'élimination particulières. Communiquez avec les autorités locales pour connaître la façon de mettre votre électroménager au rebut qui soit respectueuse de l'environnement.

LEA Y GUARDE ESTAS INSTRUCCIONES

RENSEIGNEMENTS IMPORTANTS CONCERNANT LA SÉCURITÉ

LISEZ TOUTES LES INSTRUCTIONS AVANT D'UTILISER LE RÉFRIGÉRATEUR

INSTALLATION

⚠ AVERTISSEMENT **RISQUE D'INCENDIE OU D'EXPLOSION**

Conservez les matériaux et vapeurs inflammables à l'écart de votre réfrigérateur. Une explosion, un incendie voire la mort pourrait en résulter.

⚠ AVERTISSEMENT **Risque de basculement**

Ces électroménagers sont lourds dans le haut, en particulier avec une porte ouverte, de sorte qu'ils doivent être fixés afin de prévenir un basculement vers l'avant pouvant occasionner des blessures graves ou la mort. Veuillez lire et suivre la totalité des instructions d'installation afin de fixer votre électroménager par un dispositif antibasculement.

BRANCHEMENTS ÉLECTRIQUES

⚠ AVERTISSEMENT **RISQUE DE CHOC ÉLECTRIQUE**

Branchez l'appareil dans une prise triple avec terre.

Ne retirez pas la broche de terre.

N'utilisez pas d'adaptateur.

N'utilisez pas un cordon de rallonge.

Le non-respect de ces instructions peut entraîner des risques d'incendies, des chocs électriques ou la mort.

Ne coupez pas ou n'enlevez pas, sous aucun prétexte, la troisième broche de mise à la terre du cordon d'alimentation. Pour des raisons de sécurité, cet appareil doit être correctement mis à la terre.

Le cordon d'alimentation de cet appareil est équipé d'une fiche à trois broches (pour une mise à la terre) qui s'adapte à la prise de courant standard à 3 broches (pour une mise à la terre) pour minimiser les risques de chocs électriques par cet appareil.

Faites vérifier la prise murale et le circuit électrique par un électricien qualifié pour s'assurer que le système est correctement mis à la terre.

Dans le cas d'une prise biphasée, l'installateur a la responsabilité et l'obligation de la remplacer par une prise triphasée correctement mise à la terre. N'utilisez pas d'adaptateur.

Le réfrigérateur doit toujours être branché à sa propre prise électrique d'une tension nominale correspondant à celle indiquée sur sa plaque signalétique.

Une alimentation électrique à 115 volts CA, 60 Hz, avec un fusible de 15 ou 20 ampères et une mise à la terre est nécessaire. Ceci permet d'obtenir un meilleur rendement et évite de surcharger les circuits électriques du domicile qui risque d'occasionner un incendie en surchauffant.

Ne débranchez jamais le réfrigérateur en tirant sur le cordon d'alimentation. Prenez toujours fermement la fiche en main et tirez pour la sortir de la prise.

Réparez ou remplacez immédiatement tout cordon électrique usé ou endommagé. N'utilisez pas un cordon fissuré ou présentant des dommages dus aux frottements soit sur sa longueur ou aux extrémités.

Lorsque vous éloignez votre réfrigérateur du mur, faites attention à ne pas le faire rouler sur le cordon d'alimentation afin de ne pas l'endommager.

MISE AU REBUT APPROPRIÉE DE VOTRE ANCIEN RÉFRIGÉRATEUR

⚠ AVERTISSEMENT **RISQUE DE SUFFOQUER OU D'Y ÊTRE EMPRISONNÉ**

Le non-respect de ces instructions d'élimination peut entraîner la mort ou des blessures graves.

IMPORTANT: Les enfants pris au piège ou morts d'asphyxie sont toujours d'actualité. Les réfrigérateurs et congélateurs abandonnés sont toujours aussi dangereux, même si on n'attend que «quelques jours» pour s'en débarrasser. Si vous ne gardez pas votre ancien réfrigérateur ou congélateur, veuillez suivre les directives ci-dessous afin de prévenir les accidents.

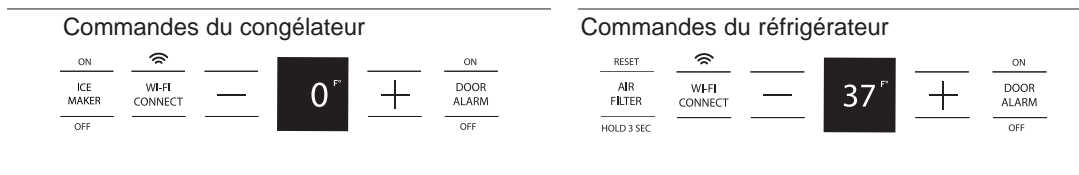
Avant de vous débarrasser de votre ancien appareil :

- Démontez les portes du compartiment de réfrigération et du compartiment de congélation.
- Laissez les clayettes en place afin d'empêcher les enfants de grimper à l'intérieur.

LEA Y GUARDE ESTAS INSTRUCCIONES

COMMANDES

PANNEAU DE COMMANDE DU CONGÉLATEUR/RÉFRIGÉRATEUR



Réglages prédéfinis : Allouez 24 heures pour atteindre les températures prédéfinies.

Le panneau de commande affiche la température de réglage des unités congélateur et réfrigérateur. La température réelle varie de la température réglée selon des facteurs tels que l'ouverture de porte, la quantité d'aliments, le cycle de dégivrage et la température ambiante.

REMARQUE : Des ouvertures de porte fréquentes ou des portes laissées ouvertes pendant une certaine période de temps peuvent augmenter temporairement la température interne des compartiments réfrigérateur et congélateur.

Pour désactiver le système de refroidissement, maintenez une pression sur les touches (+) et (-) simultanément jusqu'à ce que l'afficheur indique **COOLING OFF** (refroidissement désactivé).

Pour activer le système de refroidissement, appuyez sur la touche (+) ou sur la touche (-) et l'afficheur indiquera **COOLING OFF** (refroidissement activé). Les températures prédéfinies de 0 °F à 37 °F apparaîtront sur l'afficheur au bout de 3 secondes.

Pour changer les réglages de température, appuyez sur la touche (+) ou (-) jusqu'au point de réglage de la température désirée. Allouez 24 heures pour que le réfrigérateur/congélateur atteigne la température que vous avez réglée.

Plage de températures

Bas	High	
34°F	42°F	Réfrigérateur
1°C	6°C	
-6°F	+4°F	Congélateur
-21°C	-16°C	

REMARQUE : Régler les commandes à **COOLING OFF** (refroidissement désactivé) arrête le refroidissement, mais ne coupe pas l'alimentation électrique au réfrigérateur/congélateur.

CHANGER L’AFFICHAGE DE TEMPÉRATURE DE °F À °C

Pour passer de Fahrenheit à Celsius, maintenez une pression sur la touche (-) du panneau de commande jusqu'à voir l'affichage en °C.

ALARME DE PORTE

Pour désactiver l'alarme de porte, appuyez sur **DOOR ALARM** une fois. Le voyant **OFF** (arrêt) s'allumera. Pour activer l'alarme, pressez la touche de nouveau.

Lorsque l'alarme de porte est activée, un clignotement et un bip se manifestent si vous gardez la porte ouverte durant plus de 2 minutes. On peut faire cesser l'alarme de porte en pressant n'importe quelle touche. L'alarme retentira de nouveau au bout de 5 minutes si la porte est toujours ouverte



Réglage du Volume

Pour changer le niveau du volume, maintenez une pression sur **DOOR ALARM** (alarme de porte) jusqu'à ce que l'afficheur indique un niveau sonore. Maintenir une pression sur **DOOR ALARM** une nouvelle fois vous fera passer au niveau sonore suivant. Répétez pour défiler parmi les réglages **VOLUME HIGH** (volume élevé), **VOLUME LOW** (volume bas) et **VOLUME OFF** (volume nul).

MACHINE À GLAÇONS AUTOMATIQUE (MODÈLES CONGÉLATEUR)

⚠ AVERTISSEMENT

Raccordez l'appareil à une alimentation d'eau potable seulement. Une alimentation d'eau froide est requise pour faire fonctionner la machine à glaçons et le pichet à remplissage automatique. La pression d'eau doit se situer entre 40 et 120 psi. (275 à 827 kPa).

⚠ ATTENTION

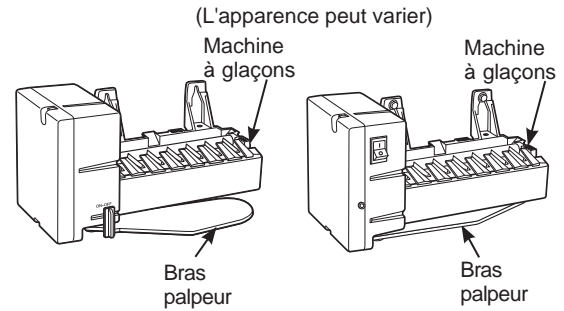
Afin de réduire le risque de blessure, évitez tout contact avec les pièces mobiles du mécanisme d'éjection, ou l'élément chauffant qui libère les glaçons. Ne placez pas les doigts ou les mains sur le mécanisme de production de glace automatique lorsque le congélateur est branché dans la prise électrique.

Un congélateur nouvellement installé peut mettre de 12 à 24 heures pour commencer à produire de la glace.

La machine à glaçons produira sept glaçons par cycle, environ 15 cycles sur une période de 24 heures selon la température du compartiment congélateur, la température de la pièce, le nombre d'ouvertures de porte et d'autres conditions d'utilisation.

Si le congélateur est utilisé avant le raccordement de l'alimentation d'eau à la machine à glaçons, mettez la machine à glaçons hors tension (OFF) sur le panneau de commande.

Une fois le congélateur raccordé à l'alimentation d'eau, mettez la machine à glaçons sous tension (ON) sur le panneau de commande.



Jetez les premiers remplissages de bac de glaçons pour permettre le nettoyage de la conduite d'eau.

Assurez-vous que rien ne gêne le mouvement du bras palpeur.

Lorsque le bac se remplit au niveau du bras palpeur, la machine à glaçons cesse de produire de la glace.

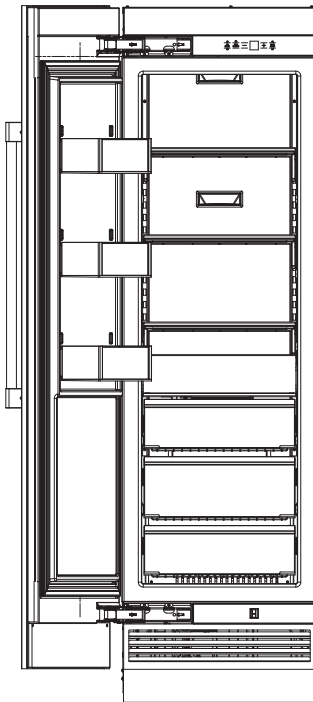
Il est normal que plusieurs glaçons s'agglutinent.

L'aspect, le goût et la taille des vieux glaçons seront altérés si ceux-ci ne sont pas consommés fréquemment.

REMARQUE : La machine à glaçons fonctionne mieux à une pression d'eau domestique entre 40 et 120 PSI (275 à 827 kPa).

ACCÈS À LA MACHINE À GLAÇONS ET AU BAC À GLAÇONS

La machine à glaçons est située au-dessus du premier tiroir du congélateur. Le bac à glaçons se trouve dans le premier tiroir.



Pour retirer le bac à glaçons :

Ouvrez complètement le tiroir supérieur et soulevez le bac à glaçons pour le sortir.

Si le bac à glaçons doit être retiré plus de 2 minutes, mettez l'interrupteur de courant de la machine à glaçons à **OFF** (arrêt) pour empêcher les glaçons de tomber dans le tiroir de broche. N'oubliez pas de remettre cet interrupteur à ON (marche) avant de remettre le bac à glaçons en place.

FILTRE À EAU XWF or XWFE (certains modèles)

CARTOUCHE FILTRANTE À EAU

Cartouche filtrante à eau

La cartouche du filtre à eau est située dans L'ASSEMBLAGE SUPÉRIEUR DE LA CARROSSERIE dans le haut de l'appareil. est homologuée par la FCC.

À quel moment remplacer le filtre à eau :

Le filtre à eau doit être remplacé tous les 6 mois ou plus tôt si 644 litres (170 gallons) d'eau ont été distribués ou si le débit d'eau du distributeur ou de la machine à glaçons diminue.

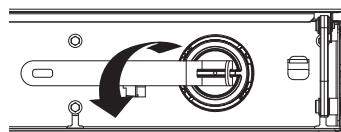
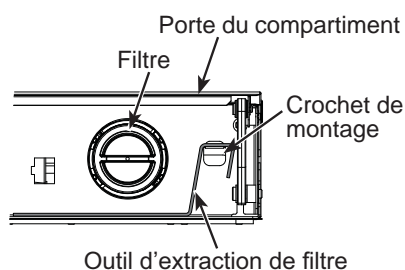
Le panneau de commande réfrigérateur/congélateur principal affichera ORDER WATER FILTER (commander un filtre à eau) lorsque le filtre à eau atteindra 90 % de sa durée de vie. L'affichage deviendra WATER FILTER EXPIRED (filtre à eau expiré) après 100 % de sa durée.

Remplacement de la cartouche filtrante

1. Ouvrez le couvercle frontal du compartiment à 90°. Repérez le filtre et l'outil d'extraction du filtre. Le filtre doit se placer tel qu'illustré.

2. Tournez le filtre de 1/4 de tour dans le sens contraire des aiguilles (utilisez l'outil d'extraction de filtre si nécessaire).

3. Tirez le filtre vers vous pour le retirer.
REMARQUE : Le système d'eau ne fonctionnera pas sans le filtre en place.



Installation de la cartouche filtrante

1. Repérez la flèche bleue sur le filtre. Tournez le filtre pour aligner la flèche comme illustré.

2. Insérez le filtre en position et tournez-le de 1/4 de tour dans le sens des aiguilles (utilisez l'outil d'extraction de filtre si nécessaire).

3. Retournez l'outil d'extraction de filtre sur le crochet de montage. Fermez la porte du compartiment.



4. Dans le réfrigérateur, faites circuler 2 gallons d'eau (8 litres) à travers le pichet à remplissage automatique pour expulser l'air du système. De l'eau jaillira suite à l'installation d'une nouvelle cartouche et dégouttera jusqu'à ce que l'air soit purgé du système.

5. Dans le congélateur, la machine à glaçons peut ne pas produire de glace immédiatement. Jetez le premier bac de glaçons pour permettre à l'air de sortir du système. De l'eau jaillira dans le corps de la machine à glaçons après l'installation d'une cartouche de filtre nouvellement installée, ce qui peut produire des gouttelettes de glace autour de la machine à glaçons. **REMARQUE** : Il est normal que ces gouttelettes et la production initiale de glace présentent une décoloration lors du rinçage initial du système. La couleur de la glace reviendra à la normale après les premiers lots de production de glace.

6. Pour réinitialiser la consommation du filtre à eau, maintenez une pression sur la touche « + » du panneau de commande durant 3 secondes.

Bouchon de dérivation du filtre

Pour réduire le risque de dommage à la propriété en raison de fuites d'eau, vous DEVEZ utiliser un bouchon de dérivation du filtre lorsqu'une cartouche filtrante de rechange n'est pas disponible. Certains modèles ne sont pas dotés d'un bouchon de dérivation du filtre. Pour obtenir un bouchon de dérivation de filtre, visitez monogram.ca. Le pichet à remplissage automatique et la machine à glaçons ne fonctionneront pas si le filtre ou le bouchon de dérivation n'est pas installé. Le bouchon de dérivation s'installe de la même manière que la cartouche filtrante.

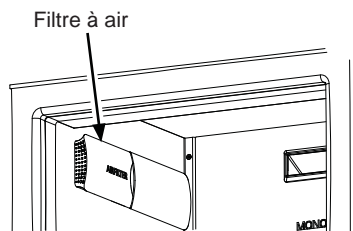
Pour les meilleurs résultats de votre système de filtration, Monogram Appliances recommande l'utilisation de filtres de marque GE Appliances seulement. L'utilisation de filtres de marque GE Appliances dans les réfrigérateurs Monogram procure les meilleurs rendement et fiabilité. Les filtres GE Appliances satisfont aux rigoureuses normes NSF de l'industrie relatives à la sûreté et la qualité, facteur important pour les produits qui filtrent votre eau. Monogram Appliances n'a pas évalué le rendement des filtres d'autres marques dans les réfrigérateurs Monogram et il n'existe aucune assurance qu'ils satisferont les normes de qualité et de fiabilité Monogram Appliances.

Pour toute question ou pour commander des cartouches filtrantes de rechange, visitez notre site monogram.com.

Au Canada, monogram.ca.

FILTRE À EAU (MODÈLES RÉFRIGÉRATEUR)

Le filtre à air est situé dans le coin gauche supérieur de certains modèles réfrigérateur. Monogram recommande de remplacer le filtre à air tous les 6 mois ou lorsque l'odeur devient suspecte.

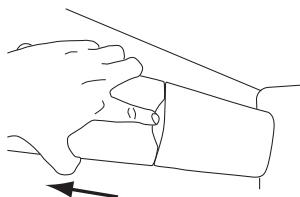


À 90 % de la durée de vie du filtre à air, les inscriptions RESET (réinitialiser) et HOLD 3 SEC (presser 3 secondes) vont clignoter sur la commande principale au-dessus et en dessous de l'indicateur AIR FILTER (filtre à air). À 100 % de durée de vie, ces indications resteront allumées continuellement.

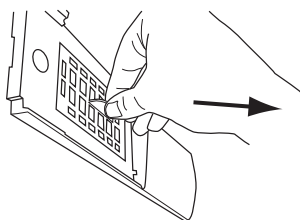
RESET
AIR
FILTER
HOLD 3 SEC

Pour remplacer le filtre :

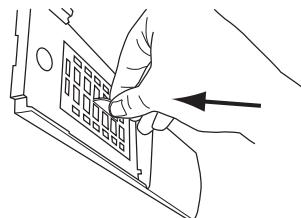
1. Enlevez le couvercle du filtre à air en glissant le devant.



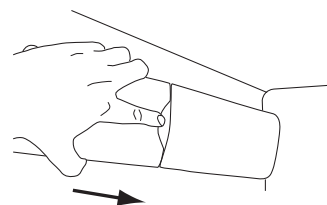
2. Tirez le vieux filtre pour l'enlever.



3. Retirez le filtre de rechange de son emballage plastique. Insérez le filtre dans son logement en le poussant. Le filtre s'encliquettera en place.



4. Remplacez le couvercle de filtre en le glissant depuis le devant. Assurez-vous que le bord avant est à égalité avec les parois du réfrigérateur.



5. Maintenez une pression sur la touche AIR FILTER (filtre à air) pour réinitialiser l'indicateur.

RESET
AIR
FILTER
HOLD 3 SEC

COMMUNICATION AVEC LES ÉLECTROMÉNAGERS

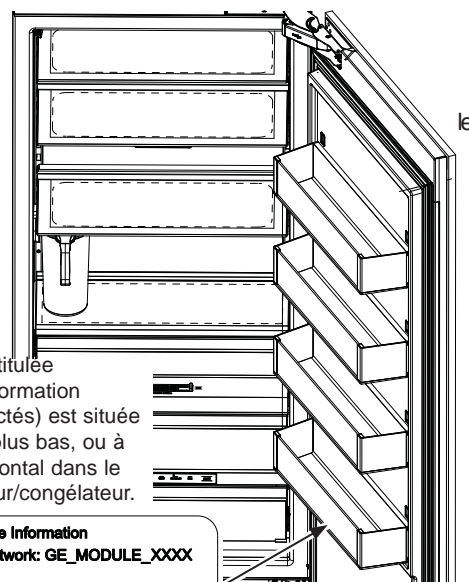
Connexion WI-FI (pour les clients aux États-Unis, ses territoires et au Canada)

L'intérieur de votre réfrigérateur/congélateur présente une étiquette intitulée Connected Appliance Information, comme illustré, ce qui signifie que vous pouvez connecter votre électroménager à votre réseau Wi-Fi et communiquer avec lui au moyen de votre téléphone intelligent pour le surveiller et commander à distance. Veuillez visiter monogram.com/connect pour en apprendre davantage sur les fonctions de connexion pour électroménagers et les applications compatibles avec votre téléphone intelligent.

Pour utiliser votre connexion Wi-Fi, pressez la touche WI-FI sur le panneau de commande. Le symbole WI-FI clignotera durant le processus de connexion. Il restera allumé une fois la connexion établie.



Pour désactiver la fonction WI-FI, maintenez une pression sur la touche WI-FI une nouvelle fois.



L'étiquette informative intitulée Connected Appliance Information (électroménagers connectés) est située derrière le balconnet le plus bas, ou à l'intérieur du couvercle frontal dans le haut de votre réfrigérateur/congélateur.

Connected Appliance Information
Contains FCCID: ZKJ-WCATA003 Network: GE_MODULE_XXXX
Contains IC: 10229A-WCATA003 Password: XXXXXXXXX
MAC ID: D8-28-C9-XXXXXXXX PT. NO. 257C2110G001

RENSEIGNEMENTS RÉGLEMENTAIRES

Déclaration de conformité de la FCC/IC :

Cet appareil est conforme aux prescriptions de la partie 15 des règles de la FCC. Le fonctionnement de cet équipement est assujéti aux deux conditions suivantes :

1. Cet appareil ne doit pas causer de brouillage préjudiciable.
2. Cet appareil doit accepter tout brouillage qu'il reçoit, y compris celui pouvant entraîner un fonctionnement indésirable.

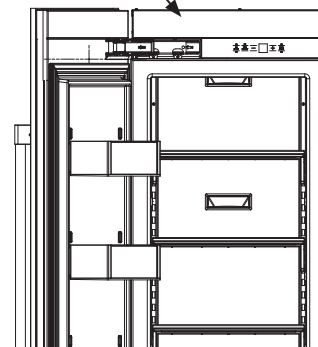
Cet équipement a été testé et déclaré conforme aux limites imposées pour un appareil numérique de Classe B, conformément à la partie 15 de la réglementation FCC. Ces limites sont définies afin d'assurer une protection raisonnable contre le brouillage nuisible dans une installation résidentielle. Cet équipement génère, utilise et émet des fréquences radio qui, en cas d'une installation erronée ou d'une utilisation non-conforme aux instructions de ce manuel d'utilisation peuvent causer un brouillage nuisible aux communications radio. Il n'y a cependant aucune garantie qu'un brouillage nuisible ne se produira pas dans une installation donnée. Si cet équipement cause un brouillage nuisible sur votre poste radio ou de télévision, ce que vous pouvez déterminer en éteignant et en rallumant votre équipement, il est conseillé à l'utilisateur d'essayer de pallier à ce brouillage nuisible en prenant l'une ou l'autre des mesures suivantes :

- Réorienter ou repositionner l'antenne de réception.
- Augmenter la distance entre l'équipement et le récepteur.
- Brancher l'équipement dans une prise d'un circuit qui diffère de celui auquel le récepteur est branché.
- Consulter le revendeur ou un technicien en radio-télévision pour obtenir de l'aide.

Étiquetage : Les modifications non explicitement approuvées par le fabricant peuvent annuler le droit de l'utilisateur de se servir de cet équipement.

Module ConnectPlus seulement (ou module de communication similaire)

Exposition aux radiofréquences - Cet appareil n'est autorisé qu'à des fins d'application mobile. Une distance d'au moins 20 cm entre le module ConnectPlus et le corps de l'utilisateur doit être maintenue en tout temps.



PICHET À REMPLISSAGE AUTOMATIQUE (certains modèles)

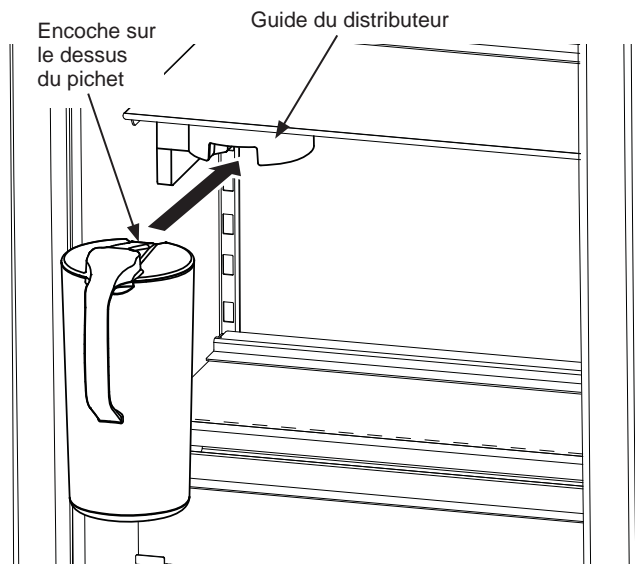
Le pichet à remplissage automatique procure un approvisionnement constant d'eau fraîche en mains libres.

1. Placez le couvercle du pichet de façon à ce qu'il s'ajuste solidement. Alignez l'encoche du couvercle de pichet sur le guide du distributeur dans le haut du réfrigérateur et glissez le pichet vers l'arrière du réfrigérateur jusqu'à ce qu'il s'arrête. Il peut s'écouler jusqu'à 5 secondes avant que l'eau ne commence à remplir le pichet. **REMARQUE : Le pichet doit reposer à plat sur la surface de verre.**
2. Le remplissage du pichet s'effectuera jusqu'à un niveau prédéterminé puis cessera. Il est normal que le niveau d'eau soit en-dessous du bord supérieur du pichet.

REMARQUE : Si vous retirez le pichet avant la fin de l'écoulement, l'eau peut dégoutter sur la tablette.

Lorsque vous remplacez le pichet sous le distributeur, celui-ci se remplira de nouveau jusqu'au niveau prédéterminé.

Le pichet et le couvercle vont au lave-vaisselle. Il est recommandé de les laver une fois par mois au minimum.



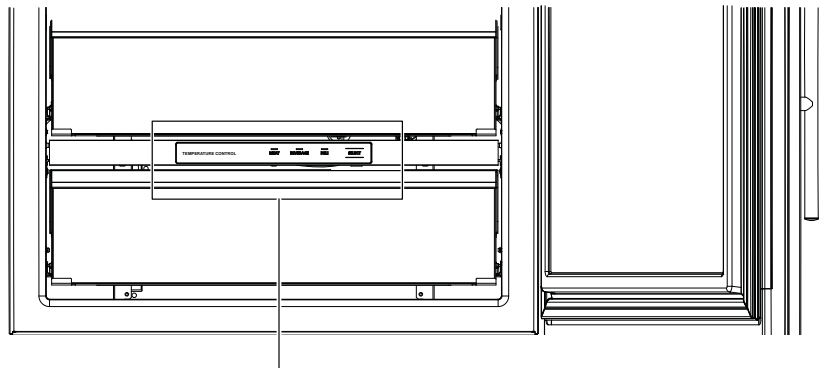
TIROIRS / ÉTAGÈRES / BACS

RÉFRIGÉRATEUR - TIROIR À RÉGULATION DE TEMPÉRATURE (certains modèles)

Le tiroir à régulation de température est muni d'une commande de température réglable. Ce tiroir peut servir pour divers articles.

Pour changer le réglage, appuyez sur le bouton Select (sélectionner).

REMARQUE : Les températures indiquent les valeurs appropriées pour les aliments et les températures réelles peuvent varier selon les conditions d'utilisation et d'autres facteurs tels que les ouvertures de porte et le point de réglage du compartiment réfrigérateur.



⚠ ATTENTION Risque de coupure
Ne rangez pas les bouteilles en verre à ce réglage. Elles peuvent éclater si elles gèlent et occasionner des blessures.

RÉFRIGÉRATEUR – TIROIR À HUMIDITÉ CONTRÔLÉE

Le tiroir à humidité contrôlée comporte un curseur permettant de contrôler la quantité d'air froid pénétrant dans les tiroirs.

Glissez le curseur jusqu'au réglage MORE (plus) et le tiroir procurera un niveau d'humidité plus élevé, recommandé pour les légumes-feuilles.

Glissez le curseur jusqu'au réglage LESS (moins) et le tiroir procurera un niveau d'humidité plus faible, recommandé pour la plupart des fruits.

L'eau excédentaire qui peut s'accumuler dans le fond des tiroirs doit être vidée et les tiroirs doivent être essuyés et séchés.

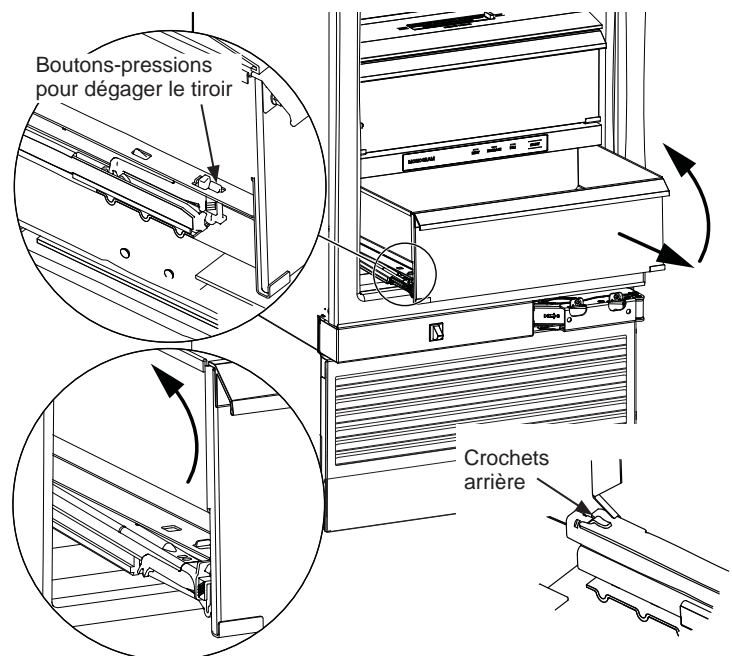


RETRAIT DES TIROIRS DU RÉFRIGÉRATEUR

L'ouverture des tiroirs dans le réfrigérateur est arrêtée avant leur dégagement complet afin d'empêcher que leur contenu ne se répande sur le plancher.

Pour enlever un tiroir : Tirez le tiroir vers l'extérieur et pressez les boutons-pressions des deux côtés sur le devant pour libérer le tiroir. Levez le devant du tiroir tout en tirant vers l'avant afin de dégager le plateau des crochets coulissants arrière.

Pour replacer un tiroir : Placez l'arrière du plateau sous les crochets derrière les glissières. Faites pivoter le tiroir vers le bas jusqu'à ce que les boutons-pressions avant fixent le devant du plateau.



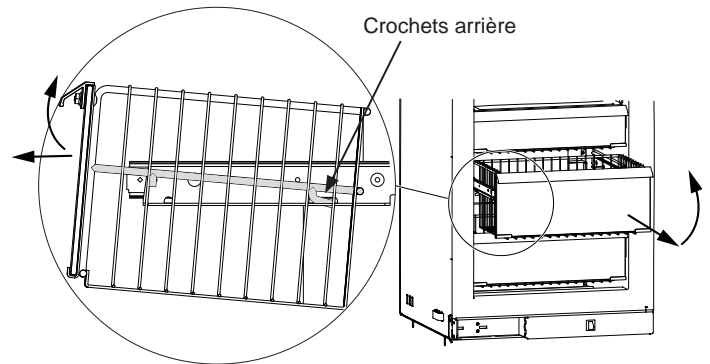
TIROIRS / ÉTAGÈRES / BACS

RETRAIT DES TIROIRS DU CONGÉLATEUR

L'ouverture des tiroirs dans le congélateur est arrêtée avant leur dégagement complet afin d'empêcher que leur contenu ne se répande sur le plancher.

Pour enlever un tiroir : Tirez le tiroir vers l'extérieur et levez le devant tout en le dégageant des glissières. Continuez de lever tout en tirant vers l'avant pour dégager le crochet arrière.

Pour remplacer un tiroir : Placez les crochets arrière dans les fentes arrière des glissières. Faites pivoter le tiroir vers le bas jusqu'à ce que les tiges de positionnement avant reposent dans les fentes avant des glissières.



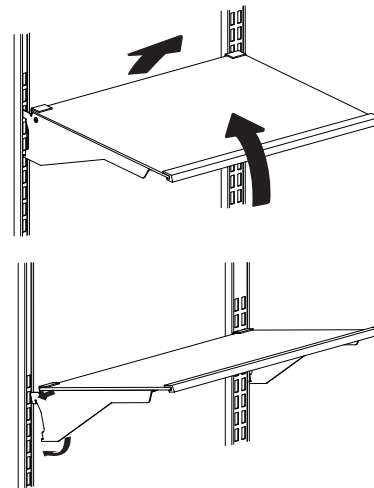
TABLETTES RÉGLABLES

Les tablettes en verre trempé dans le réfrigérateur et le congélateur peuvent être disposées d'une façon optimale pour répondre aux besoins de rangement alimentaire de votre famille.

Pour enlever les tablettes : Inclinez le devant de la tablette vers le haut, puis soulevez celle-ci pour la dégager des rails sur la paroi arrière du réfrigérateur/congélateur.

ATTENTION Manipulez les tablettes en verre avec précaution. Les tablettes et couvercles en verre peuvent se briser s'ils sont soumis à un impact en les heurtant ou les échappant. S'il se brise, le verre trempé est conçu pour se fracturer en un grand nombre de petits éclats.

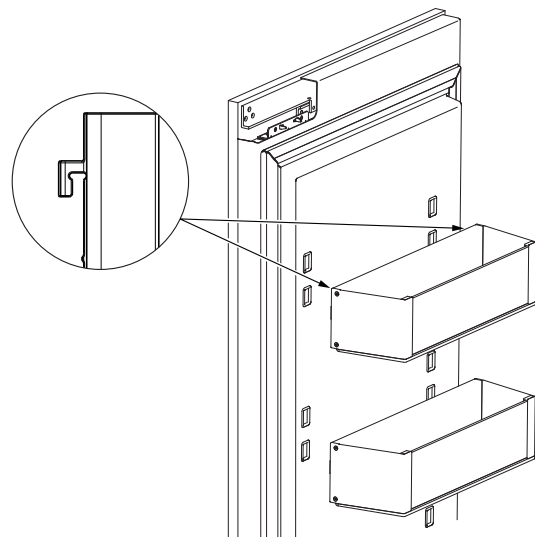
Pour remplacer les tablettes : Choisissez la hauteur de tablette désirée. Tout en levant légèrement le devant de la tablette, insérez les crochets supérieurs dans les rails à l'arrière de la carrosserie. Puis baissez le devant de la tablette jusqu'à ce qu'elle se verrouille en position.



BALCONNETS

Tous les balconnets sont réglables et se repositionnent vers le haut ou le bas pour répondre à vos besoins de rangement.

Pour enlever les balconnets : Levez le balconnet puis glissez-le vers vous.



MODE SABBAT

Le Mode Sabbat est destiné au sabbat et aux fêtes des juifs. Le mode Sabbat permet aux juifs pratiquants de réfrigérer et congeler les aliments pendant la durée de la fête.

On peut régler le mode Sabbat pour outrepasser les réactions habituelles aux actions sur votre électroménager. En mode Sabbat, votre électroménager fonctionnera encore normalement. Cependant, l'électroménager ne répondra pas à vos actions.

En mode Sabbat, par exemple, vous pourriez observer que le ventilateur fonctionne lorsque la porte est ouverte, mais cela ne résultera pas de vos actions. Le ventilateur fonctionnera plutôt d'une façon aléatoire. L'élément chauffant de dégivrage continuera de dégivrer le réfrigérateur et le congélateur, activé par minuterie. Cet élément chauffant ne dégivrera pas suite à des ouvertures de porte ou une action quelconque du consommateur.

AFFICHEURS, ALARMES et LAMPES — Les afficheurs de la commande de température principale seront désactivés; par conséquent, ils ne pourront s'allumer, émettre un son ou fonctionner sur pression d'une touche. Les alarmes seront désactivées. Les lampes seront toujours éteintes.

MACHINE À GLAÇONS et PICHET À REMPLISSAGE AUTOMATIQUE — La machine à glaçons sera éteinte en mode Sabbat. Pour obtenir de la glace, ouvrez la porte du congélateur et prenez des glaçons dans le bac. Le pichet à remplissage automatique ne fonctionnera pas.

Pour activer le mode Sabbat, maintenez une pression sur les touches (+) et DOOR ALARM simultanément jusqu'à ce que l'afficheur indique SABBATH MODE.

Répétez la procédure pour désactiver le mode Sabbat. Aussi, le mode Sabbat sera automatiquement désactivé au bout de 4 jours du calendrier ou 96 heures. Le point de réglage de la température s'affichera.

ENTRETIEN ET NETTOYAGE

Poignées et garnitures de porte — Nettoyez ces éléments à l'aide d'un chiffon imbibé d'eau savonneuse. Séchez à l'aide d'un linge doux.

Commande principale — Nettoyez à l'aide d'un nettoyant pour le verre et séchez avec un linge doux. Lors du nettoyage, vous pourriez activer des touches par inadvertance et ainsi changer les réglages et les modes. Si c'est le cas, attendez 2 minutes puis utilisez les touches appropriées pour restituer les réglages ou modes désirés.

Gardez l'extérieur propre. Essayez avec un linge propre légèrement imbibé d'un détergent à vaisselle doux. Séchez avec un linge doux et propre.

N'essayez pas le réfrigérateur/congélateur avec un linge à vaisselle ou une serviette humide sales. Cela pourrait laisser un résidu susceptible d'endommager le fini. N'utilisez pas de tampons à récurer, de nettoyants en poudre, de javellisants ni de nettoyants qui en contiennent car ces produits peuvent rayer et endommager le fini.

ACIER INOXYDABLE - Surfaces extérieures, poignées de porte, et garniture

REMARQUE : Ne laissez PAS un nettoyant pour acier inoxydable venir au contact de pièces en plastique telles que garnitures, quincaillerie de poignée ou doublures. Si un contact non intentionnel d'un nettoyant avec une pièce en plastique survient, nettoyez la pièce en plastique avec une éponge et un détergent doux mélangé dans l'eau chaude.

UTILISER	NE PAS UTILISER
Linge ou éponge doux et propres	Linges abrasifs, éponges à récurer, tampons à récurer ou en laine d'acier.
Détergent doux dans eau chaude. Nettoyants pour acier inoxydable approuvés; visitez la boutique de pièces Monogram pour des nettoyants pour acier inoxydable approuvés : Monogram.ca On peut utiliser des nettoyants à base d'acide oxalique tels que Bar Keepers Friend Soft Cleanser™ pour éliminer la rouille de surface, le ternissement et les petites taches sur les surfaces en acier inoxydable seulement.	Poudres ou vaporisateurs abrasifs. Vaporisateurs pour fenêtres ou ammoniac. Nettoyants à base d'agrumes ou de plantes. Nettoyants acides ou à base de vinaigre. Nettoyants pour le four. Nettoyants qui contiennent de l'acétone (propanone). Tout nettoyant avec AVERTISSEMENT relatif au contact du plastique.

ENTRETIEN ET NETTOYAGE

NETTOYAGE DE L'INTÉRIEUR

Pour prévenir les odeurs, laissez une boîte de bicarbonate de soude ouverte dans l'appareil.

Coupez l'alimentation électrique au disjoncteur ou à la boîte des fusibles avant le nettoyage. Si cela n'est pas pratique, essorez le surplus d'eau de l'éponge ou du linge lors du nettoyage autour des interrupteurs, des lampes ou des commandes.

Utilisez une solution d'eau tiède et de bicarbonate de soude, environ une cuillère à table (15 ml) de bicarbonate de soude dans une pinte (1 litre) d'eau. Cette solution nettoie et neutralise les odeurs. Rincez à fond et essuyez pour sécher.

Les autres parties du réfrigérateur/congélateur —incluant joints d'étanchéité de porte, bacs à viande ou légumes, bac à glaçons et toutes les pièces en plastique — peuvent être nettoyées de la même manière.

ATTENTION Ne nettoyez pas les tablettes ou couvercles en verre avec de l'eau chaude lorsqu'ils sont froids. Les tablettes et couvercles en verre peuvent se briser s'ils sont exposés à une variation de température soudaine, ou soumis à un impact s'ils sont heurtés ou échappés. S'il se brise, le verre trempé est conçu pour se fracturer en un grand nombre de petits éclats.

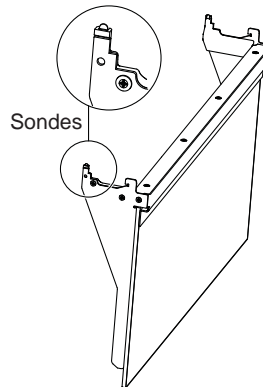
Ne lavez aucune pièce en plastique du réfrigérateur/congélateur au lave-vaisselle.

Le pichet et le couvercle vont au lave-vaisselle. Il est recommandé de les laver une fois par mois au minimum.

NETTOYAGE DES TABLETTES À LAMPES DEL

Si les tablettes en verre munies de lampes DEL sont retirées pour nettoyage, assurez-vous de protéger les sondes à l'arrière des tablettes et de ne PAS supporter les tablettes par les sondes au risque de les endommager.

N'immergez pas les tablettes dans l'eau.



PRÉPARATIFS POUR LES VACANCES

Mettez l'interrupteur de courant à la position OFF (arrêt) et assurez-vous de couper l'alimentation d'eau au réfrigérateur.

Lors de vacances ou absences prolongées, retirez les aliments du réfrigérateur/congélateur. Réglez la commande à OFF (arrêt) et nettoyez l'intérieur à l'aide d'une solution d'une cuillère à table (15 ml) de bicarbonate de soude dans une pinte (1 litre) d'eau. Laissez la porte ouverte.

Pour des absences plus courtes, retirez les aliments périssables et laissez les commandes aux réglages habituels. Cependant, si vous prévoyez une chute de la température de la pièce sous 60 °F (16 °C), suivez les instructions pour vacances ou absences prolongées. .

REPLACEMENT DES AMPOULES DE LAMPE

Pour le remplacement d'une ampoule DEL, communiquez avec le service après-vente Monogram, à monogram.ca

PRÉPARATION

EMPLACEMENT DU RÉFRIGÉRATEUR/CONGÉLATEUR

- N'installez pas le réfrigérateur/congélateur à un endroit où la température est susceptible de descendre en dessous de 55 °F (13 °C). L'appareil ne fonctionnera pas suffisamment souvent pour maintenir les températures appropriées.
- N'installez pas le réfrigérateur/congélateur à un endroit où la température dépassera 100 °F (37 °C). L'appareil ne fonctionnera pas correctement.
- N'installez pas le réfrigérateur/congélateur dans un endroit exposé à l'eau (pluie, etc.) ou aux rayons directs du soleil.
- Installez l'appareil sur un plancher suffisamment robuste pour supporter son poids à pleine capacité.

Une installation correcte exige que le réfrigérateur/congélateur soit placé sur la surface de niveau d'un matériau solide de la même hauteur que le reste du plancher. Cette surface doit être suffisamment robuste pour supporter un réfrigérateur/congélateur totalement rempli, ou environ 1 200 lb (545 kg) chacun. Consultez les instructions d'installation pour des directives complètes.

CONSEILS DE DÉPANNAGE

PROBLÈME	CAUSE PROBABLE
LE RÉFRIGÉRATEUR/ CONGÉLATEUR NE FONCTIONNE PAS	Peut se trouver en cycle de dégivrage lorsque le moteur ne fonctionne pas durant 45 minutes environ.
	Commande de température à la position OFF (arrêt).
	Si la lampe intérieure n'est pas allumée, le réfrigérateur/congélateur n'est peut-être pas branché dans une prise murale.
	Si la lampe intérieure n'est pas allumée, le réfrigérateur/congélateur n'est peut-être pas branché dans une prise murale.
	L'interrupteur principal de l'appareil n'est peut-être à la position de marche (ON).
	Le mode Sabbat est peut-être activé. Désactivez le mode Sabbat.
LE MOTEUR FONCTIONNE PENDANT DE LONGUES PÉRIODES OU IL S'ALLUME ET S'ÉTEINT FRÉQUEMMENT EN ALTERNANCE. (Les réfrigérateurs et les congélateurs modernes dotés d'un grand volume de rangement ainsi que les congélateurs de grandes dimensions exigent plus de temps de fonctionnement. Ils démarrent et s'arrêtent souvent pour maintenir des températures uniformes.)	Normal lorsque le réfrigérateur/congélateur est branché la première fois. Attendez 24 heures pour laisser refroidir le réfrigérateur/congélateur complètement.
	Se produit souvent lorsque de grandes quantités d'aliments sont placées dans le réfrigérateur/congélateur. Ce phénomène est normal.
	Porte laissée ouverte ou emballage qui bloque la fermeture de la porte.
	Temps chaud ou fréquentes ouvertures de porte. Ce phénomène est normal.
	Les commandes de température sont réglées aux valeurs les plus froides. Voyez la section Commande de température.
VIBRATION OU CLIQUETIS (une légère vibration est normale.)	Le réfrigérateur n'est peut-être pas installé correctement.
SON SOURD À LA FERMETURE DE LA PORTE	Il s'agit d'un son de fonctionnement normal.
	Le mécanisme qui ferme la porte émet un faible son sourd lorsqu'il passe le point de levier, soit à environ 80 degrés.
	Fermer la porte lentement réduira ce son.
SONS DE FONCTIONNEMENT	Circulation d'air normale du ventilateur. Le ventilateur refroidit le moteur du compresseur.
	Les ventilateurs changent de vitesse afin de procurer un refroidissement et une économie d'énergie optimaux.
	<p>Ces sons NORMAUX se feront aussi entendre de temps à autre.</p> <ul style="list-style-type: none"> - Vous pourriez entendre un son d'expiration ou de gargouillis à la fermeture de la porte. Cela est causé par une égalisation de la pression dans le réfrigérateur/congélateur. - Un son d'égouttement d'eau peut survenir pendant le cycle de dégivrage à mesure que la glace fond de l'évaporateur et coule vers le plateau d'évacuation. - La circulation d'eau dans les serpentins de refroidissement du réfrigérateur/congélateur peut générer un gargouillis semblable à de l'eau en ébullition. - L'eau qui dégoutte de l'élément chauffant de dégivrage peut causer un son de grésillement, d'éclatement ou de bourdonnement pendant le cycle de dégivrage. - Vous pourriez entendre un son de craquement ou d'éclatement lors du premier branchement électrique du réfrigérateur/congélateur ou pendant/après le cycle de dégivrage. Cela se produit lorsque le réfrigérateur/congélateur refroidit vers la température correcte. - Le compresseur peut émettre un son de cliquetis ou de gazouillis lorsqu'il tente de redémarrer (cela peut prendre jusqu'à 5 minutes). - Le panneau de commande électronique peut émettre un son de cliquetis lorsque les relais s'activent pour contrôler les composants du réfrigérateur/congélateur. - Des glaçons tombent dans le bac. - Le robinet d'eau de la machine à glaçons bourdonne et l'eau circule dans des tubes lorsque la machine et le pichet de remplissage automatique se remplissent d'eau.

CONSEILS DE DÉPANNAGE

PROBLÈME	CAUSE PROBABLE
LA PORTE NE SE FERME PAS CORRECTEMENT	Un emballage peut bloquer la fermeture de la porte.
	Inspectez le joint d'étanchéité de la porte; il peut ne pas être placé correctement.
	Le réfrigérateur n'est pas de niveau. Voyez les instructions d'installation.
	Les dégagements des panneaux de porte aux armoires adjacentes sont peut-être insuffisants. Augmentez les dégagements.
LE RÉFRIGÉRATEUR/ CONGÉLATEUR EST TROP CHAUD	La commande de température n'est pas réglée à un degré suffisamment froid. Voyez la section Commande de température.
	Temps chaud ou fréquentes ouvertures de porte.
	Porte laissée ouverte pendant longtemps.
	Un emballage peut bloquer la fermeture de la porte.
LA TEMPÉRATURE RÉELLE N'EST PAS IDENTIQUE À LA TEMPÉRATURE RÉGLÉE	Le réfrigérateur vient tout juste d'être branché. Allouez 24 heures pour la stabilisation du système.
	La porte est restée ouverte trop longtemps. Allouez 24 heures pour la stabilisation du système.
	Des aliments chauds ont été ajoutés dans le réfrigérateur/congélateur. Allouez 24 heures pour la stabilisation du système.
	Le cycle de dégivrage est en cours. Allouez 24 heures pour la stabilisation du système.
IL Y A DU GIVRE OU DES CRISTAUX DE GLACE SUR LES ALIMENTS CONGELÉS (le givre à l'intérieur de l'emballage est normal.)	La porte est restée ouverte ou un emballage bloque la fermeture de la porte.
	Ouvertures de porte trop fréquentes ou trop longues.
CONGÉLATION LENTE DES GLAÇONS	La porte est restée ouverte.
	Tournez la commande de température à un degré plus froid.
	Un emballage peut bloquer la fermeture de la porte.
LES GLAÇONS ONT UNE ODEUR/ UN GOÛT DOUTEUX	Les vieux glaçons doivent être jetés.
	Le bac à glaçons doit être vidé et lavé.
	Des emballages non scellés dans le congélateur peuvent transmettre une odeur ou un goût à la glace.
	L'intérieur du congélateur doit être nettoyé. Voyez la section Entretien et nettoyage.
	Le goût de l'eau d'alimentation est douteuse. Remplacez le filtre à eau.
LA MACHINE À GLAÇONS AUTOMATIQUE NE FONCTIONNE PAS	L'interrupteur de la machine à glaçons est à la position O (OFF) (arrêt).
	L'alimentation d'eau est coupée ou non raccordée.
	Le congélateur est trop chaud.
	Les glaçons empilés dans le bac d'entreposage peuvent causer l'arrêt prématuré de la machine à glaçons. Égalisez les glaçons à la main.
	La machine à glaçons est peut-être hors tension (OFF) à la commande de température. Mettez la machine sous tension (ON).
GLAÇONS CREUX OU DE PETITE TAILLE	Filtre à eau obstrué. Remplacez le filtre ou utilisez le bouchon de dérivation de filtre.
	Vérifiez s'il y a raccordement à un système d'eau à osmose inverse (OI). Si un système OI est raccordé à l'appareil, retirez le filtre à eau et installez le bouchon de dérivation de filtre d'origine livré avec l'appareil.
DE L'HUMIDITÉ SE FORME SUR L'EXTÉRIEUR DU RÉFRIGÉRATEUR/CONGÉLATEUR	Cela peut survenir par temps d'humidité élevée. Essayez la surface pour la sécher.
	Un contrôle de l'humidité et de la température dans la cuisine au moyen d'un climatiseur réglera cette question.
LE PICHET À REMPLISSAGE AUTOMATIQUE NE FONCTIONNE PAS	L'alimentation d'eau est coupée ou non raccordée.
	Le pichet n'est pas détecté. Retirez le pichet puis replacez-le dans le distributeur.

CONSEILS DE DÉPANNAGE

PROBLÈME	CAUSE PROBABLE
DE L'HUMIDITÉ S'ACCUMULE À L'INTÉRIEUR	Ouvertures de porte trop fréquentes ou trop longues.
	Par temps humide, l'air transporte l'humidité dans le réfrigérateur/ congélateur lorsque les portes sont ouvertes.
	Contrôlez l'humidité et la température dans la cuisine au moyen d'un climatiseur.
LE RÉFRIGÉRATEUR/CONGÉLATEUR DÉGAGE UNE ODEUR DOUTEUSE	Les aliments qui dégagent de fortes odeurs doivent être emballés soigneusement.
	Vérifiez s'il n'y aurait pas d'aliments gâtés
	L'intérieur doit être nettoyé. Voyez la section Entretien et nettoyage.
	Le système d'eau de dégivrage sous l'appareil doit être nettoyé.
	La durée de vie du filtre à air est expirée. Remplacez le filtre à air.
	Gardez une boîte de bicarbonate de soude ouverte dans le réfrigérateur/ congélateur, à remplacer tous les 3 mois.
LA LAMPE INTÉRIEURE NE S'ALLUME PAS	Il n'y a pas de courant à la prise.
	La lampe DEL doit être remplacée. Voyez la section Programmer une visite de service.
	Le mode Sabbat est peut-être activé et en fonctionnement. Désactivez le mode Sabbat.
LA PORTE EST DIFFICILE À ROUVRIRE IMMÉDIATEMENT APRÈS SA FERMETURE	L'égalisation de la pression dans le réfrigérateur rend la porte plus serrée.
	Après la fermeture, attendez 5 à 30 secondes avant de la rouvrir.

FICHE TECHNIQUE DE PERFORMANCE - Modèle : XWF or XWFE

- Système certifié par l'IAPMO R&T en vertu des normes 42, 53, 401, P473 de la NSF/ANSI relatives à la réduction des allégations spécifiées sur la fiche technique de rendement et le site iapmort.org.
- Le rendement réel peut varier selon les conditions locales de l'eau.

Substance testée pour réduction	Concentration d'essai de l'influent (mg/L)	Concentration max. admissible dans l'eau du produit (mg/L)	Réduction moy. (%)
Goût et odeur chlore	2.0 mg/L +/- 10%	N/A	96.9
Goût et odeur chloramine	3.0 mg/L +/- 10%	0.5	96.9
Particules, Classe I	Au moins 10 000/mL	N/A	91.4
Oocystes	50,000/L	N/A	>99.99
Plomb	0.15	0.01	98.85
Mercure	0.006	0.002	96.3
Amiante	107 à 108 fibres/L	N/A	>99
Toxaphène	0.015 +/- 10%	0.003	86.95
SCC (substitut de chloroforme C)	0.300	0.015	99.7
Alachlore	0.050	0.001	> 98
Atrazine	0.100	0.003	> 97
Benzène	0.081	0.001	> 99
Carbofuran	0.190	0.001	> 99
tétrachlorure de carbone	0.078	0.0018	98
chlorobenzène	0.077	0.001	> 99
chloropicrine	0.015	0.0002	99
2, 4-D	0.110	0.0017	98
dibromochloropropane (DBCP)	0.052	0.00002	> 99
o-Dichlorobenzène	0.08	0.001	> 99
p-Dichlorobenzène	0.040	0.001	> 98
1,2-dichloroéthane	0.088	0.0048	95
1,1-dichloroéthylène	0.083	0.001	> 99
cis-1,2-dichloroéthylène	0.170	0.0005	> 99
trans-1,2-dichloroéthylène	0.086	0.001	> 99
1,2-dichloropropane	0.080	0.001	> 99
cis-1,3-dichloropropylène	0.079	0.001	> 99
dinosébe	0.170	0.0002	99
Endrine	0.053	0.00059	99
Éthylbenzène	0.088	0.001	> 99
éthylène dibromide (EDB)	0.044	0.00002	> 99
bromochloroacétonitrile	0.022	0.0005	98
dibromoacétonitrile	0.024	0.0006	98
dichloroacétonitrile	0.0096	0.0002	98
trichloroacétonitrile	0.015	0.0003	98
1,1-dichloro-2-propanone	0.0072	0.0001	99
1,1,1-trichloro-2-propanone	0.0082	0.0003	96
heptachlore (H-34, Heptox)	0.025	0.00001	>99
heptachloreépoxyde	0.0107	0.0002	98
hexachlorobutadiène	0.044	0.001	> 98
hexachlorocyclopentadiène	0.060	0.000002	> 99
Lindane	0.055	0.00001	> 99
méthoxychlore	0.050	0.0001	> 99
pentachlorophénole	0.096	0.001	> 99
simazine	0.120	0.004	> 97
Styrène	0.150	0.0005	> 99
1,1,2,2-tétrachloroéthane	0.081	0.001	> 99
Tétrachloroéthylène	0.081	0.001	> 99
Toluène	0.078	0.001	> 99
2,4,5-TP (silvex)	0.270	0.0016	99
Acide tribromoacétique	0.042	0.001	> 98
1,2,4-Trichlorobenzène	0.160	0.0005	> 99
1,1,1-trichloroéthane	0.084	0.0046	95
1,1,2-trichloroéthane	0.150	0.0005	> 99
trichloroéthylène	0.180	0.0010	> 99
bromoforme	0.300	0.015	95
bromodichlorométhane	0.300	0.015	95
chlorodibromométhane	0.300	0.015	95
xylènes	0.070	0.001	>99
Méprobamate	400 +/- 20%	60	95.5
Aténolol	200 +/- 20%	30	95.9
Carbamazépine	1400 +/- 20%	200	98.6
diéthyltoluamide (DEET)	1400 +/- 20%	200	98.6
Métolachlore	1400 +/- 20%	200	98.7
Triméthoprim	140 +/- 20%	20	96.1
Linuron	140 +/- 20%	20	96.6
TCEP	5000 +/- 20%	700	98.1
TCCP	5000 +/- 20%	700	98.1
Phénytoïne	200 +/- 20%	30	96
Ibuprofène	400 +/- 20%	60	95.9
Naproxène	140 +/- 20%	20	96.5
Estrone	140 +/- 20%	20	97.1
Bisphénol A	2000 +/- 20%	300	99.1
Nonylphénol	1400 +/- 20%	200	97.3
PFOA/PFOS	1.5 mg/L +/- 10%	0.07	99.25

Conditions d'application/Paramètres d'alimentation d'eau

Débit de service	0,5 gal./min. (1,89 l/min.)
Alimentation d'eau	Eau potable
Pression d'eau	25-120 psi (172-827 kPa)
Température de l'eau	33°F-100°F (0.6°C-38°C)
Capacité	170 gallons (643,5 liters)

Le rendement du produit sera conforme à ce qui est promis à condition que l'installation, l'entretien et le remplacement du filtre s'effectuent selon les recommandations du fabricant.

Remarque : Bien que les tests aient été réalisés dans des conditions de laboratoire.

Cartouche de rechange : XWF or XWFE. Pour une estimation du coût des pièces de rechange, visitez notre site Web Electromenagersge.ca/fr/produits/filtres-et-accessoires.

⚠ AVERTISSEMENT Pour réduire le risque associé à l'ingestion de contaminants :

- **N'utilisez pas l'appareil avec de l'eau d'une qualité incertaine ou non potable sur le plan microbiologique sans une désinfection en amont et en aval du système.** Les systèmes homologués relativement à la réduction d'oocystes peuvent être utilisés avec de l'eau désinfectée pouvant contenir des oocystes filtrables.

AVIS

Pour réduire le risque de fuite ou d'inondation et pour garantir un rendement optimal du filtre :

- Lisez et observez les instructions d'utilisation avant l'installation et l'utilisation de ce système.
- L'installation et l'utilisation DOIVENT satisfaire tous les codes de plomberie locaux et nationaux.
- Ne procédez pas à l'installation si la pression d'eau excède 120 psi (827 kPa). Si votre pression d'eau excède 80 psi (552 kPa), vous devez poser une valve de limitation de pression. Faites appel à un plombier si vous avez des doutes sur la façon de mesurer votre pression d'eau.
- Ne procédez pas à l'installation si une condition de coup de bélier est susceptible de survenir. Si cette condition existe, vous devez poser un antibélier. Faites appel à un plombier si vous avez des doutes sur la manière d'identifier cette condition.
- Ne procédez pas à l'installation sur des conduites d'eau chaude. La température de service maximale de l'eau pour ce système de filtre est de 100 °F (38 °C).
- Protégez le filtre contre le gel. Drainez le filtre lorsque la température tombe sous 33 °F (0,6 °C).
- Remplacez la cartouche filtrante jetable tous les six mois, ou plus tôt si vous constatez une réduction appréciable du débit d'eau.
- L'omission de remplacer la cartouche filtrante jetable aux intervalles recommandés peut mener à une réduction du rendement du filtre et au fendillement du boîtier du filtre, entraînant ainsi des fuites ou l'inondation.
- Ce système a été mis à l'essai conformément aux normes 42, 53, 401 et P473 de la NSF/ANSI relatives à la réduction des substances énumérées ci-dessous. La concentration des substances mentionnées dans l'eau entrant dans le système a été réduite à une valeur inférieure ou égale à la limite admissible pour l'eau quittant le système, tel que stipulé dans les normes 42, 53, 401 et P473 de la NSF/ANSI.



Le système XWF or XWFE est certifié par l'IAPMO R&T en vertu des normes 42, 53, 401 et P473 de la NSF/ANSI relatives à la réduction des allégations spécifiées sur la fiche technique de rendement et le site iapmort.org.

GARANTIE LIMITÉE DE MONOGRAM

Monogram.ca

Tous les services au titre de la garantie sont fournis par nos centres de service ou par un technicien agréé Custom CareMD. Demandez un rendez-vous en ligne pour votre réparation ou rendez-vous sur monogram.com/contact.

Au Canada, visitez le site monogram.ca.

Pour le diagnostic, la réparation de votre réfrigérateur peut nécessiter l'utilisation du port de données embarqué. Celui-ci permet au technicien de réparation Monogram de diagnostiquer rapidement des problèmes avec votre appareil. Il permet également à Monogram d'améliorer ses produits en fournissant à ces derniers des informations sur votre appareil. Si vous ne voulez pas que les données de votre appareil soient envoyées à Monogram, veuillez demander à votre technicien de NE PAS soumettre les données à Monogram pendant la réparation.

Pour la période de	Monogram Appliances remplacera
Garantie limitée de deux ans	Pendant deux ans à compter de la date d'achat initial, nous fournirons, gratuitement, les pièces et la main d'œuvre à domicile pour remplacer ou réparer toute pièce du réfrigérateur ou du congélateur qui se révèle défectueuse en raison d'un vice de fabrication.
Garantie limitée de cinq ans	Pendant cinq ans à compter de la date d'achat initial, nous fournirons, gratuitement, les pièces et la main d'œuvre à domicile pour remplacer ou réparer toute pièce provenant du circuit fermé de réfrigération (compresseur, condenseur, évaporateur et tout autre tuyau de branchement) qui se révèle défectueuse en raison d'un vice de fabrication.
Garantie limitée supplémentaire de six à douze ans pour le circuit fermé	De la sixième à la douzième année à compter de la date d'achat initial, nous fournirons, gratuitement, les pièces pour remplacer ou réparer toute pièce provenant du circuit fermé de réfrigération (compresseur, condenseur, évaporateur et tout autre tuyau de branchement) qui se révèle défectueuse en raison d'un vice de fabrication. Les déplacements à votre domicile pour le dépannage ainsi que la main d'œuvre à domicile restent à votre charge.
Garantie limitée de trente jours pour la cartouche du filtre à eau (Filtre à eau, si inclus)	A compter de la date d'achat initial, nous fournirons, gratuitement, les pièces pour remplacer toute pièce de la cartouche du filtre à eau qui se révèle défectueuse en raison d'un vice de fabrication. Pendant la validité de la présente garantie limitée de 30 jours, nous fournirons gratuitement une cartouche de filtre à eau.

Ce que Monogram ne couvre pas :

- Les déplacements à votre domicile pour vous expliquer l'utilisation de ce produit
- Le remplacement des fusibles ou le réenclenchement du disjoncteur du domicile.
- Tout dommage causé par accident, incendie, inondation ou catastrophe naturelle.
- Une panne du produit s'il a été utilisé dans un but autre que celui pour lequel il a été fabriqué ou s'il a été utilisé commercialement.
- Les dommages causés après la livraison.
- Une installation, livraison ou maintenance défectueuse. En cas de problème d'installation, contactez votre revendeur ou votre installateur. Vous êtes responsable de la provision d'un système électrique, d'une plomberie et d'autres connexions appropriés.
- Le remplacement des ampoules ou la cartouche du filtre à eau, si inclus, et dans des conditions autres que celles susmentionnées.
- Le remplacement de la cartouche du filtre à eau, si inclus, à cause d'une pression d'eau en dehors de la gamme de fonctionnement recommandée ou à cause d'une concentration excessive de sédiment dans l'eau d'alimentation.
- Détérioration des aliments.
- Tout dommage fortuit ou indirect causé par des défauts éventuels de cet appareil.
- Le service s'il est impossible d'avoir accès au produit.
- Les dommages à la finition, tels que rouille de surface, ternissement ou petites taches, non signalés dans un délai de 48 heures suivant la livraison.

EXCLUSION DES GARANTIES TACITES

Votre recours exclusif est l'échange du produit suivant les modalités de la Garantie Limitée. Toutes garanties tacites, y compris les garanties de valeurs marchandes ou d'adéquation à des fins particulières, sont limitées à une durée d'un an ou à la durée la plus courte autorisée par la loi.

Cette garantie limitée est étendue à l'acheteur d'origine et aux propriétaires suivants pour tout produit acheté pour une utilisation domestique aux États-Unis. Si le produit est installé dans une région où ne se trouve aucun réparateur autorisé Monogram vous devrez peut-être assumer les frais de transport ou apporter l'appareil à un centre de service autorisé Monogram. En Alaska, cette garantie limitée exclut le coût d'expédition ou de dépannage à votre domicile.

Certaines provinces n'acceptent pas d'exclusion ou de limites aux dommages indirects ou accessoires, cette exclusion ou restriction pourrait ne pas s'appliquer à vous. Certains droits particuliers vous sont dévolus en vertu de la présente garantie et peuvent s'accompagner d'autres droits qui varient selon votre lieu de résidence. Pour connaître vos droits juridiques, veuillez consulter le bureau local ou d'état des affaires aux consommateurs ou le Procureur Général de votre état.

Garant: GE Appliances, a Haier company, Louisville KY,40225

Au Canada, Garant: MC Commercial, Burlington, ON, L7R 5B6

Pour bénéficier du service de réparation sous garantie, une preuve de la date d'achat initial est nécessaire.





MANUAL DEL PROPIETARIO

Freezers de Columna Incorporada de 18", 24", 30" y 36"
Refrigeradores de Columna Incorporada de 24", 30" y 36"

ESPAÑOL.

MONOGRAM.COM

ÍNDICE

INFORMACIÓN DEL MODELO	2
SOPORTE AL CLIENTE	3
INFORMACIÓN DE SEGURIDAD	4
CONTROLES	6
MÁQUINA DE HIELOS AUTOMÁTICA (MODELOS PARA FREEZER).....	7
FILTRO DE AGUA	8
FILTRO DE AIRE (MODELOS PARA REFRIGERADOR)	9
COMUNICACIÓN CON EL ELECTRODOMÉSTICO.....	10
JARRA DE LLENADO AUTOMÁTICO	11
CAJONES / ESTANTES / CUBOS.....	12
MODO SABÁTICO	14
CUIDADO Y LIMPIEZA	14
PREPARACIÓN	16
CONSEJOS PARA LA SOLUCIÓN DE PROBLEMAS.....	17
FICHA TÉCNICA DE FUNCIONAMIENTO	20
GARANTÍA LIMITADA DE MONOGRAM	21

INFORMACIÓN DEL MODELO

NÚMEROS DE MODELO

ZIF181, ZIF241, ZIF301 y ZIF361

ZIR241, ZIR301 y ZIR361

ESCRIBA LOS NÚMEROS DE MODELO Y SERIE

Encontrará los mismos en una etiqueta del lado de la pared con bisagras de su electrodoméstico. La etiqueta del refrigerador se encuentra junto al cajón de control de humedad. La etiqueta del freezer se encuentra junto al cajón de almacenamiento de hielo.

Use estos números en cualquier correspondencia o llamadas al servicio técnico relacionadas con su electrodoméstico.

Por favor escriba estos números aquí:

Número de Modelo

Número de Serie

SOPORTE AL CLIENTE

SITIO WEB DE MONOGRAM

¿Desea realizar una consulta o necesita ayuda con su electrodoméstico? ¡Intente a través del sitio Web de Monogram las 24 horas del día, cualquier día del año! También puede comprar más grandiosos productos de Monogram y sacar ventaja de todos nuestros servicios de soporte a través de Internet, diseñados para su conveniencia.

En EE.UU.: monogram.com o en Canadá: monogram.ca

REGISTRE SU ELECTRODOMÉSTICO

¡Registre su electrodoméstico nuevo a través de Internet, según su conveniencia! Un registro puntual de su producto permitirá una mejor comunicación y un servicio más puntual de acuerdo con los términos de su garantía, en caso de surgir la necesidad. También puede enviar una carta en la tarjeta de inscripción pre impresa que se incluye con el material embalado.

En EE.UU.: monogram.com.

En Canadá: Prodsupport.mabe.ca/crm/Products/ProductRegistration.aspx

SERVICIO PROGRAMADO

El servicio de reparación de expertos de Monogram está a sólo un paso de su puerta. Conéctese a través de Internet y programe el servicio a su conveniencia cualquier día del año.

En EE.UU.: Monogram.com

En Canadá: Monogram.ca

CONECTIVIDAD REMOTA

Para recibir asistencia en relación a la conectividad de su red inalámbrica (para modelos con activación remota), visite nuestro sitio web en monogram.com/connect

PIEZAS Y ACCESORIOS

Individuos calificados para realizar el servicio técnico de sus propios electrodomésticos podrán solicitar el envío de piezas o accesorios directamente a sus hogares (se aceptan las tarjetas VISA, MasterCard y Discover). Ordene a través de Internet durante las 24 horas del día.

En EE.UU.: monogram.com/use-and-care/parts

Las instrucciones que figuran en este manual cubren los procedimientos que serán realizados por cualquier usuario. Otros servicios técnicos generalmente deberán ser derivados a personal calificado del servicio técnico. Se deberá tener cuidado, ya que una reparación indebida podrá hacer que el funcionamiento no sea seguro.

Los clientes de Canadá deberán consultar en el centro de servicio Mabe, visitar nuestro sitio web en monogram.ca

CONTÁCTENOS

Si no se encuentra satisfecho con el servicio que recibió de Monogram, comuníquese con nosotros a través de nuestro sitio Web con todos los detalles, incluyendo su número telefónico, o escriba a :

En EE.UU.: General Manager, Customer Relations | Monogram Appliances, Appliance Park | Louisville, KY 40225

monogram.com/contact

En Canadá: monogram.ca/contact

INFORMACIÓN IMPORTANTE DE SEGURIDAD

LEA TODAS LAS INSTRUCCIONES ANTES DE USAR ESTE ELECTRODOMÉSTICO

⚠ ADVERTENCIA A fin de reducir el riesgo de incendio, explosión, descargas eléctricas o lesiones al usar su refrigerador, siga estas precauciones básicas de seguridad:

- Este refrigerador se deberá instalar y ubicar adecuadamente de acuerdo con las Instrucciones de Instalación antes de ser usado.
- Desenchufe el refrigerador antes de hacer reparaciones o hacer una limpieza.
NOTA: La corriente que va al refrigerador no puede ser desconectada por ninguna configuración del panel de control.
NOTA: Las reparaciones deberán ser realizadas por un Profesional del Servicio Técnico calificado.
- Reemplace todas las piezas y paneles antes del uso.
- No use un prolongador.
- Mantenga cualquier material y vapores inflamables alejados del refrigerador.
- No guarde sustancias explosivas tales como latas de aerosoles con propelentes inflamables en este electrodoméstico.
- A fin de evitar riesgos de que los niños sufran asfixia o queden atrapados, retire las puertas de comidas frescas y del freezer de cualquier refrigerador antes de deshacerse o dejar de usar el mismo.
- Para evitar lesiones graves o la muerte, los niños no se deberán parar sobre ni jugar en o con el electrodoméstico.
- Los niños y las personas con capacidad física, sensorial o mental reducida o con falta de experiencia y conocimiento podrán usar este electrodoméstico sólo si son supervisados o les fueron dadas instrucciones sobre un uso seguro y entienden los riesgos involucrados.
- Este electrodoméstico fue diseñado para uso hogareño y para aplicaciones similares tales como: áreas de personal de cocina en tiendas, oficinas y otros espacios laborales; casas de campo; por clientes en hoteles, moteles, hostales y otros espacios residenciales, catering y aplicaciones no minoristas similares.
- Realice la conexión a un suministro de agua potable únicamente. Se requiere un suministro de agua fría para el funcionamiento de la máquina de hielos automática. La presión del agua deberá estar entre 40 y 120 psi (275-827 kilopascales).
- Este electrodoméstico fue diseñado para uso hogareño y para aplicaciones similares tales como: áreas de personal de cocina en tiendas, oficinas y otros espacios laborales; casas de campo; por clientes en hoteles, moteles, hostales y otros espacios residenciales, catering y aplicaciones no minoristas similares.

⚠ PRECAUCIÓN A fin de reducir el riesgo de lesión al usar su refrigerador/ freezer, siga estas precauciones básicas de seguridad.

- No limpie los estantes de vidrio ni las tapas con agua caliente cuando estén fríos. Los estantes de vidrio y las tapas se pueden romper si son expuestos a cambios de temperatura repentinos o a impactos, tales como sacudones o caídas. El vidrio templado está diseñado para destruirse en pequeñas piezas en caso de rotura.
- Mantenga los dedos fuera de los espacios de “riesgo de lastimaduras”; los espacios entre las puertas y entre las puertas y el gabinete son necesariamente pequeños. Tenga el cuidado de cerrar las puertas cuando los niños se encuentren en el área.
- No toque las superficies frías del compartimiento del freezer cuando las manos estén húmedas o mojadas, ya que la piel podrá quedar adherida a estas superficies extremadamente frías.
- No vuelva a congelar comidas que hayan estado totalmente congeladas en forma previa.
- En freezers con máquinas de hielos automáticas, evite el contacto con las partes móviles del mecanismo eyector o con el elemento de calefacción que libera los cubos. No coloque los dedos ni las manos en el mecanismo de la máquina de hielos automática mientras el freezer se encuentre enchufado.

⚠ ADVERTENCIA  **RIESGO DE INCENDIO O EXPLOSIÓN Refrigerantes Inflamables**

Este electrodoméstico cuenta con refrigerante isobutano, también conocido como R600a, un gas natural con alto nivel de compatibilidad medioambiental. Sin embargo, también es combustible. Siga las advertencias que figuran a continuación, a fin de reducir el riesgo de lesiones o daños sobre la propiedad.

1. Al mover, instalar y operar el electrodoméstico, se deberá tener cuidado de no dañar la tubería del refrigerante.
2. El servicio técnico sólo debe ser realizado por personal autorizado del servicio. Use sólo piezas del servicio autorizadas por el fabricante
3. Descarte el electrodoméstico de acuerdo con las Regulaciones Federales y Locales. El refrigerante inflamable y el material aislante inflamable usados en este producto requieren procedimientos de descarte especiales. Comuníquese con las autoridades locales para descartar su refrigerador de forma ambientalmente segura.
4. Mantenga las aberturas de ventilación en el espacio de protección del electrodoméstico o en la estructura incorporada libres de obstrucción.
5. A fin de eliminar la escarcha, raspe con una espátula o raspador de plástico o madera. No use un pico de hielo o un instrumento de metal con forma puntiaguda, ya que esto podrá perforar el revestimiento del freezer y luego la tubería refrigerante inflamable detrás de éste.
6. No use dispositivos eléctricos dentro del compartimiento de almacenamiento de comida del electrodoméstico.
7. No use ningún dispositivo eléctrico para descongelar su refrigerador.

Cómo Eliminar Refrigerantes y Gomaespumas:

El refrigerante inflamable utilizados requieren procedimientos especiales de eliminación. Comuníquese con las autoridades locales para descartar su electrodoméstico de forma ambientalmente segura.

LEA Y GUARDE ESTAS INSTRUCCIONES

INFORMACIÓN IMPORTANTE DE SEGURIDAD

LEA TODAS LAS INSTRUCCIONES ANTES DE USAR ESTE ELECTRODOMÉSTICO

INSTALACIÓN

ADVERTENCIA **RIESGO DE INCENDIO O EXPLOSIÓN**

Mantenga cualquier material y vapores inflamables alejados del refrigerador. Si no se cumple con esto se podrá producir una explosión, incendio o la muerte.

ADVERTENCIA **Riesgo de Caídas**

Estos electrodomésticos son inestables, especialmente cuando una puerta se encuentre abierta, y deben estar asegurados a fin de evitar caídas hacia adelante que podrían resultar en la muerte o en lesiones graves. Lea y siga las instrucciones de instalación en su totalidad para asegurar el electrodoméstico con el sistema anti volcaduras.

CONEXIÓN DE LA ELECTRICIDAD

ADVERTENCIA **RIESGO DE DESCARGA ELÉCTRICA**

Enchufe en un tomacorriente con conexión a tierra de 3 cables.

No elimine el cable de conexión a tierra.

No use un adaptador.

No use un prolongador.

Si no se siguen estas instrucciones, se podrá producir la muerte, incendios o descargas eléctricas.

Nunca, bajo ninguna circunstancia, corte o elimine el tercer cable (tierra) del cable de corriente. Por seguridad personal, este electrodoméstico debe estar adecuadamente conectado a tierra.

El cable de corriente de este electrodoméstico contiene un enchufe de 3 cables (conexión a tierra) que se conecta a un tomacorriente de pared estándar de 3 cables (conexión a tierra) para minimizar la posibilidad de riesgos de descargas eléctricas por parte del mismo.

Contrate a un electricista calificado para que controle el tomacorriente y el circuito eléctrico, a fin de asegurar que el enchufe esté correctamente conectado a tierra.

En caso de contar con un tomacorriente de pared de 2 cables, es su responsabilidad y obligación reemplazarlo por un tomacorriente de pared de 3 cables correctamente conectado a tierra. No use un adaptador.

El refrigerador/ freezer deberá estar siempre conectado a un enchufe específico con un índice de voltaje equivalente al que figura en su etiqueta de especificaciones técnicas.

Se requiere un suministro eléctrico con fusible y conexión a tierra de 115 voltios de CA, 60 Hz, 15 o 20 amperes. Esto garantiza el mejor funcionamiento y además previene la sobrecarga de los circuitos del hogar, lo cual podría ocasionar riesgos de incendio debido al recalentamiento de cables.

Nunca desenchufe el refrigerador/ freezer tirando del cable de corriente. Siempre tome su enchufe de manera firme y empuje el mismo hacia fuera para retirarlo.

Inmediatamente interrumpa el uso de un cable de suministro de corriente dañado. Si el cable de corriente se encuentra dañado, su reemplazo deberá ser realizado por un profesional calificado del servicio técnico, utilizando una pieza del servicio técnico autorizada por el fabricante.

Al alejar el refrigerador/ freezer de la pared, se deberá tener cuidado de que no ruede sobre ni dañe el cable de corriente.

FORMA ADECUADA DE DESCARTAR SU ANTIGÜO REFRIGERADOR/ FREEZER

ADVERTENCIA **RIESGO DE SOFOCACIÓN O DE QUEDAR ATRAPADO**

Si no se siguen estas instrucciones de descarte, se podrá producir la muerte o lesiones graves.

IMPORTANTE: Que un niño quede atrapado o que sufra una asfixia no son problemas del pasado. Los refrigeradores/ freezers antiguos o abandonados aún son peligrosos, incluso aunque se conserven por "sólo unos pocos días". Si se deshará de su antiguo refrigerador/ freezer, siga las siguientes instrucciones a fin de evitar accidentes.

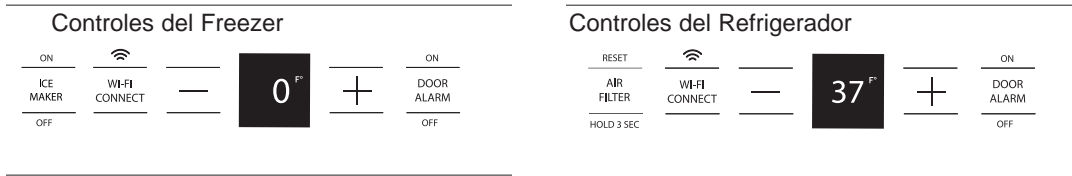
Antes de Descartar su Antiguo Electrodoméstico

- Retire las puertas de comidas frescas y del freezer.
- Deje las repisas en su lugar de modo que los niños no puedan trepar dentro con facilidad

LEA Y GUARDE ESTAS INSTRUCCIONES

CONTROLES

PANEL DE CONTROL DEL FREEZER/ REFRIGERADOR



Configuraciones Preestablecidas: Espere 24 horas hasta que se alcancen estas temperaturas preestablecidas.

El panel de control muestra la temperatura configurada de las unidades tanto del freezer como la de comidas frescas.

La temperatura real variará en relación a la temperatura programada, dependiendo de factores tales como la frecuencia de apertura de la puerta, cantidad de comida, ciclo de descongelación y temperatura ambiente.

NOTA: Las aperturas de puerta frecuentes o una puerta que se dejó abierta durante distintos períodos de tiempo podrán incrementar la temperatura interna del compartimiento del freezer o del refrigerador de forma temporaria.

Para apagar el sistema de refrigeración, mantenga presionadas las teclas (+) y (-) hasta que la pantalla muestre COOLING OFF (Refrigeración Apagada).

Para encender el sistema de refrigeración, presione la tecla (+) o (-) y la pantalla mostrará **COOLING ON (Refrigeración Encendida)**. Las temperaturas preestablecidas de 0°F o 37°F aparecerán en la pantalla luego de 3 segundos.

Para cambiar las configuraciones de temperatura, presione las teclas (+) o (-) hasta el punto de configuración de la temperatura deseada. Espere 24 horas hasta que el refrigerador/freezer alcance la temperatura que configuró.

Temperature Ranges

Low	High	
34°F	42°F	Fresh Food
1°C	6°C	
-6°F	+4°F	Freezer
-21°C	-16°C	

NOTA: Configurar los controles en **COOLING OFF (Refrigeración Apagada)** detiene la refrigeración, pero no apaga la corriente eléctrica al refrigerador/freezer.

CÓMO CAMBIAR LAS TEMPERATURAS DE LA PANTALLA DE °F A °C

Para cambiar la pantalla de temperatura entre Fahrenheit y Celsius, mantenga presionada la tecla (-) sobre el panel de control hasta que la misma muestre °C.

ALARMA DE LA PUERTA

Para apagar la función Door Alarm (Alarma de la Puerta), presione **DOOR ALARM (Alarma de la Puerta)** una vez. La luz **OFF (Apagada)** se activará. Para encenderla, vuelva a presionar.

Quando la función **DOOR ALARM (Alarma de la Puerta)** esté activa, ésta titilará y emitirá un pitido si mantiene la puerta abierta por más de 2 minutos. La Alarma de la Puerta puede ser silenciada presionando cualquier tecla. La alarma sonará nuevamente luego de 5 minutos, si la puerta aún se encuentra abierta.

ON
DOOR
ALARM
OFF

Ajuste el Volumen del Tono

Para cambiar el volumen del tono, mantenga presionada la función **DOOR ALARM (alarma de la Puerta)** hasta que la pantalla muestre un nivel de volumen. Mantener presionada la función **DOOR ALARM (Alarma de la Puerta)** nuevamente hará que se pase a la siguiente configuración de volumen. Repita esto para pasar a través de las configuraciones de **VOLUME HIGH (Alto Volumen)**, **VOLUME LOW (Bajo Volumen)** y **VOLUME OFF (Sin Volumen)**.

MÁQUINA DE HIELOS AUTOMÁTICA (MODELOS PARA FREEZER)

⚠ ADVERTENCIA

Realice la conexión a un suministro de agua potable únicamente. Se requiere un suministro de agua fría para el funcionamiento de la máquina de hielos automática. La presión del agua deberá estar entre 40 y 120 psi (275-827 kilopascales).

⚠ PRECAUCIÓN

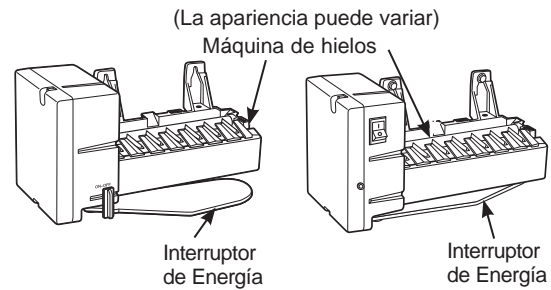
Para minimizar el riesgo de lesiones personales, evite el contacto con las partes en movimiento del mecanismo expulsor o con el elemento de calefacción que expulsa los cubos. No coloque los dedos ni las manos en el mecanismo de la máquina de hielos automática mientras el freezer se encuentre enchufado.

Puede llevar entre 12 y 24 horas que un freezer recién instalado comience a fabricar hielo.

La máquina de hielos producirá siete cubos por ciclo - aproximadamente 15 ciclos en un período de 24 horas - dependiendo de la temperatura del compartimiento del freezer, la temperatura ambiente, la cantidad de veces que se abra la puerta y otras condiciones de uso.

Si el freezer se utiliza antes de realizar la conexión del agua a la máquina de hielos, apague la máquina de hielos desde el control de temperatura.

Cuando el refrigerador haya sido conectado al suministro de agua, encienda la máquina de hielos desde el panel de control.



Descarte la primera cubetera de hielo para permitir que el suministro de agua se limpie.

Asegúrese de que nada interfiera con la extensión del interruptor de energía.

Cuando la cubitera se llene hasta el nivel del interruptor de energía, la máquina de hielos dejará de producir hielo.

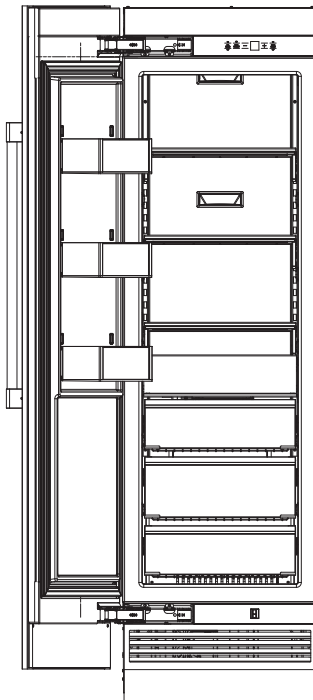
Es normal que varios cubos queden juntos.

Si el hielo no se usa con frecuencia, los cubos de hielo viejos se volverán turbios, con sabor rancio y su tamaño se reducirá.

NOTA: La máquina de hielos funciona mejor con una presión hogareña de agua de entre 40 y 120 PSI (275-827 kPa).

ACCESO A LA MÁQUINA DE HIELOS Y A LA CUBITERA DE ALMACENAMIENTO DE HIELO

La máquina de hielos se encuentra ubicada sobre el primer cajón del freezer. La cubitera se encuentra en el primer cajón.



A fin de retirar la cubitera de hielos:

Abra y extienda completamente el cajón superior y levante hacia afuera la cubitera de almacenamiento de hielos

Si la cubitera será retirada durante más de 2 minutos, configure el interruptor de corriente de la máquina de hielos en la posición OFF (Apagado), a fin de evitar que caigan cubos en el cajón del cableado. Recuerde volver a enchufar el interruptor de corriente de la máquina de hielos en la posición ON (Encendido), antes de reemplazar la cubitera.

FILTRO DE AGUA XWF or XWFE (en algunos modelos)

CARTUCHO DEL FILTRO DE AGUA

El cartucho del filtro de agua se encuentra ubicado en el ENSAMBLE DE LA PARTE SUPERIOR DE LA CARCASA, en la parte superior de la unidad.

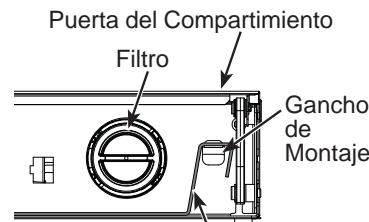
Cuándo es necesario reemplazar el cartucho del filtro

El cartucho del filtro deberá ser reemplazado cada seis meses o antes si fueron dispensados 170 galones de agua, o si se reduce el flujo de agua hacia el dispensador o la máquina de hielos.

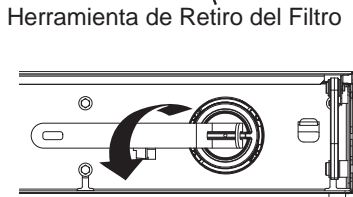
El control principal del refrigerador/ freezer exhibirá ORDER WATER FILTER (Ordenar un Filtro de Agua) cuando el filtro de agua haya alcanzado el 90% de su vida útil. La pantalla cambiará a WATER FILTER EXPIRED (Filtro de Agua Vencido) luego del 100% de su vida útil.

Retiro del cartucho del filtro

1. Abra la tapa frontal de la carcasa a 90°. Ubique el filtro y la herramienta de retiro del filtro. El filtro deberá aparecer como se muestra.



2. Dé al filtro ¼ de giro en sentido antihorario (si es necesario, use la herramienta de retiro del filtro).

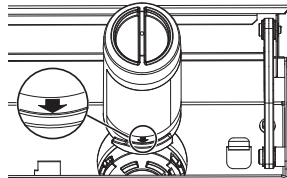


3. Empuje el filtro hacia usted para retirar el mismo.

NOTA: El sistema de agua no funcionará si el filtro no está ubicado en su posición.

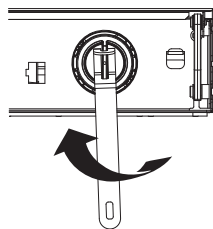
Instale el cartucho del filtro

1. Ubique la flecha azul del filtro. Gire el filtro para alinear la flecha como se muestra.



2. Inserte el filtro en su posición y dé al mismo ¼ de giro en sentido horario (si es necesario, use la herramienta de retiro del filtro).

3. Vuelva a colocar la herramienta de retiro del filtro en el gancho de montaje. Cierre la puerta del compartimiento.



4. En refrigeradores, deje correr 2 galones de agua a través de la jarra de llenado automático, a fin de retirar el aire del sistema. Un cartucho del filtro instalado de forma reciente hará que el agua chorree y gotee hasta que el aire se encuentre fuera del sistema.

5. En freezers, es posible que la máquina de hielos no produzca hielo de inmediato. Descarte la primera cubetera de hielo, a fin de permitir que el aire sea purgado del sistema. Un cartucho del filtro instalado de forma reciente hará que el agua salga a chorros del cuerpo de la máquina de hielos, lo cual podría generar gotitas de hielo alrededor del área de la máquina de hielos. **NOTA:** Es normal que estas gotitas y la producción inicial de hielo se vean descoloradas durante el sistema de purga inicial. El color del hielo volverá a ser normal luego de la producción de la primera cubetera de hielo.

6. Para reiniciar el uso del filtro de agua, mantenga presionada la tecla "+" sobre el panel de control durante 3 segundos.

Tapón de bypass del filtro

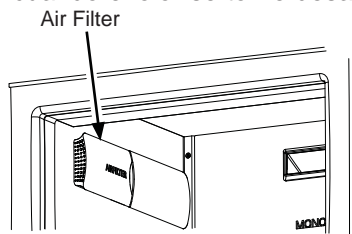
A fin de reducir el riesgo de daños sobre la propiedad debido a pérdidas de agua, usted **DEBERÁ** usar el tapón del bypass del filtro cuando no se disponga de un cartucho del filtro de reemplazo. Algunos modelos no vienen equipados con el tapón del bypass del filtro. Para obtener un tapón del bypass gratis, llame a 800-GEARES. En Canadá, llame al 888.880.3030. La jarra de llenado automático y la máquina de hielos no funcionarán si el filtro o el tapón del bypass del filtro no están instalados. El tapón del bypass se instala del mismo modo que un cartucho del filtro.

Para obtener el máximo beneficio de su sistema de filtrado, Monogram Appliances recomienda el uso de los filtros de la marca GE Appliances únicamente. El uso de filtros de la marca GE Appliances en refrigeradores Monogram brinda un óptimo funcionamiento y confiabilidad. Los filtros de GE Appliances cumplen con rigurosos estándares NSF de la industria sobre seguridad y calidad, que son importantes para los productos que están filtrando su agua. Monogram Appliances no calificó filtros que no sean de la marca GE Appliances para su uso en refrigeradores Monogram, y no existe seguridad de que los filtros que no son de la marca GE Appliances cumplan con los estándares de Monogram Appliances en relación a calidad, funcionamiento y confiabilidad.

Ante cualquier duda o para ordenar cartuchos del filtro adicionales, visite nuestro sitio web en monogram.com. En Canadá, monogram.ca.

FILTRO DE AIRE (MODELOS PARA REFRIGERADOR)

El Filtro de Aire se encuentra ubicado en la esquina superior izquierda de algunos modelos de refrigeradores. Monogram recomienda el reemplazo del filtro de aire cada 6 meses o cuando el olor se torne desagradable.

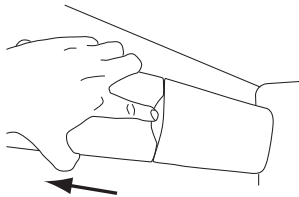


En el 90% de vida útil del filtro de aire, las funciones RESET (Reiniciar) y HOLD 3 SEC (Espere 3 Segundos) titilarán en el control principal, encima y debajo del indicador del **FILTRO DE AIRE**; en el 100% de vida útil, se mantendrán así de forma continua.

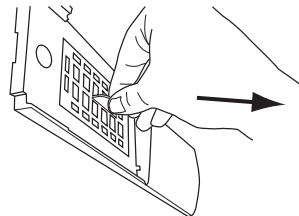
RESET
AIR
FILTER
HOLD 3 SEC

Para Reemplazar el Filtro:

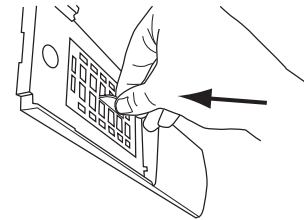
1. Retire la tapa del filtro de aire, deslizando el frente.



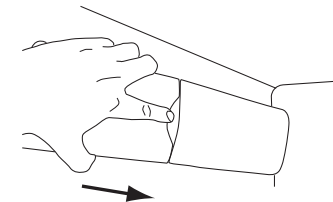
2. Retire el filtro gastado empujando hacia afuera.



3. Retire del plástico el filtro de reemplazo. Inserte el filtro en el espacio correspondiente empujando el mismo hacia adentro. El filtro se acomodará.



4. Reemplace la tapa del filtro deslizando la misma desde el frente. Asegúrese de que el extremo frontal esté fijado a la pared del refrigerador.



5. Mantenga presionada la tecla AIR FILTER (Filtro de Aire) para reiniciar el indicador.

RESET
AIR
FILTER
HOLD 3 SEC

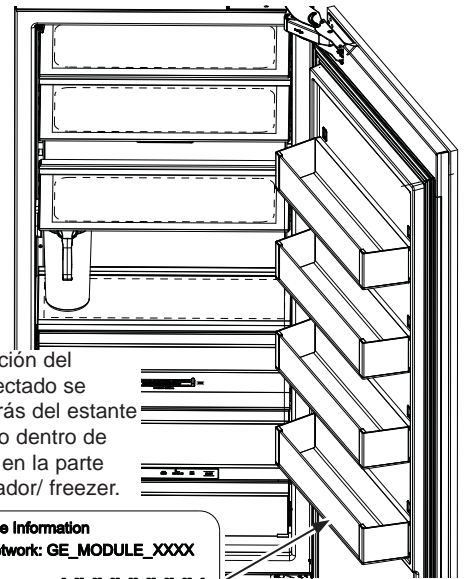
COMUNICACIÓN CON EL ELECTRODOMÉSTICO

Conexión WI-FI (para Clientes de Estados Unidos, sus territorios, y Canadá)

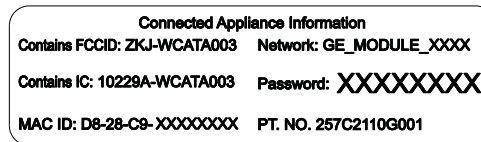
Su refrigerador/ freezer cuenta con una etiqueta con información sobre el Electrodoméstico Conectado, como se muestra, y puede ser conectada a su red de WI-FI, permitiendo la conexión con su teléfono inteligente para acceder al monitoreo, control y notificaciones de forma remota. Para conocer más sobre las funciones del electrodoméstico conectado, y para saber qué aplicaciones de electrodomésticos conectados funcionarán con su teléfono inteligente, visite monogram.com/connect.

Para usar su WI-FI, presione la tecla WI-FI en el panel de control. El símbolo WI-FI titilará durante el proceso de conexión. Permanecerá de forma sólida cuando una conexión sea establecida.

Para apagar su WI-FI, mantenga presionada la tecla WI-FI nuevamente.



La etiqueta de información del Electrodoméstico Conectado se encuentra ubicada detrás del estante más bajo de la puerta o dentro de la tapa frontal ubicada en la parte superior de su refrigerador/ freezer.



INFORMACIÓN REGULATORIA

Declaración de Cumplimiento de la FCC/IC :

Este dispositivo cumple con la Parte 15 de la Normativa de la FCC. Su funcionamiento está sujeto a las dos condiciones siguientes:

1. Este dispositivo no causa interferencias perjudiciales.
2. Este dispositivo tolera cualquier interferencia recibida, incluidas las interferencias que puedan provocar un funcionamiento no deseado.

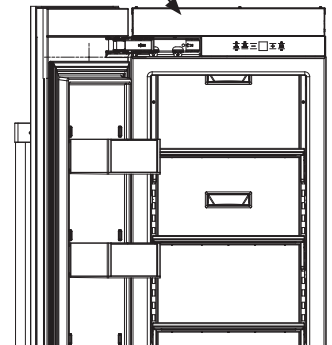
Este equipo ha sido probado y cumple con los límites establecidos para un dispositivo digital de clase B, según la parte 15 de la Normativa de la FCC. Estos límites han sido diseñados para ofrecer una protección razonable contra interferencias perjudiciales en la instalación residencial. Este equipo genera, usa y puede emitir energía de radiofrecuencia y, si no se instala y utiliza de acuerdo con las instrucciones, puede ocasionar interferencias perjudiciales para las comunicaciones de radio. Sin embargo, no se garantiza que no se presenten interferencias en una instalación en particular. Si el equipo provoca interferencias perjudiciales para la recepción de radio o televisión, lo que puede comprobar encendiendo y apagando el equipo, se aconseja al usuario intentar corregir la interferencia a través de una de las siguientes medidas:

- Reorienta o reubique la antena receptora.
- Aumente la separación entre el equipo y el receptor.
- Conecte el equipo a un tomacorriente de un circuito diferente del tomacorriente al que se encuentra conectado el receptor.
- Consulte al proveedor minorista o a un técnico experimentado de radio/ TV.

Etiqueta de Clasificación: Los cambios o modificaciones sobre esta unidad no aprobadas expresamente por el fabricante podrán anular la autoridad del usuario para utilizar el equipo.

Módulo ConnectPlus únicamente (o modulo de comunicación similar)

Exposición a RF – Se autoriza el uso de este dispositivo sólo con una aplicación móvil. Se deberá mantener en todo momento una distancia de separación mínima de 20 cm. entre el dispositivo ConnectPlus y el cuerpo del usuario.



JARRA DE LLENADO AUTOMÁTICO (en algunos modelos)

La jarra de llenado automático fue diseñada para ser llenada sin usar las manos, manteniendo un suministro constante de agua fresca.

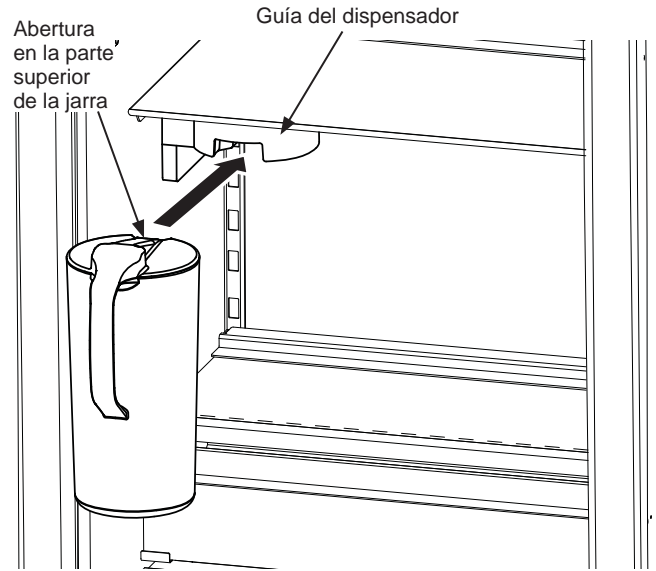
1. Coloque la tapa sobre la jarra de modo que se ajuste de forma segura. Alinee la abertura de la tapa de la jarra con la guía del dispensador en la parte superior del refrigerador, y deslice la jarra hacia la parte trasera del refrigerador hasta que se detenga. Es posible que haya un tiempo de respuesta de hasta 5 segundos hasta que el agua comience a llenar la jarra.
NOTA: La jarra deberá estar apoyada de forma plana sobre la superficie de vidrio.

2. El agua llenará la jarra hasta que alcance un nivel específico y luego se cerrará. Es normal que el nivel del agua se encuentre por debajo de la parte superior de la jarra.

NOTA: Si retira la jarra antes de que el agua se detenga, esta última se podrá derramar sobre la repisa.

Al reemplazar la jarra debajo del dispensador, este último volverá a llenar la jarra hasta el nivel especificado.

La jarra de llenado automático y la tapa son de uso seguro en lavavajillas. Se recomienda lavarlas mínimamente una vez por mes.



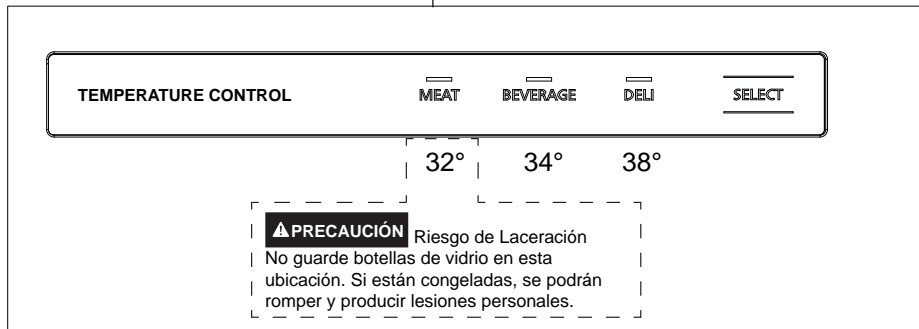
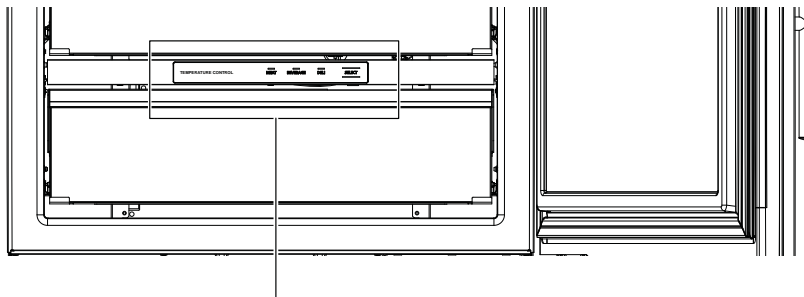
CAJONES / ESTANTES / CUBOS

REFRIGERADOR - CAJÓN CON CONTROL DE TEMPERATURA (en algunos modelos)

El cajón con control de temperatura cuenta con un control de temperatura ajustable. Este cajón puede ser usado para productos de diferentes tipos.

Para cambiar la configuración, presione el botón Select (Seleccionar).

NOTA: Las temperaturas indican las temperaturas apropiadas para la comida y las temperaturas reales pueden variar en base al funcionamiento normal y otros factores tales como aperturas de puerta y el punto de configuración de comidas frescas.



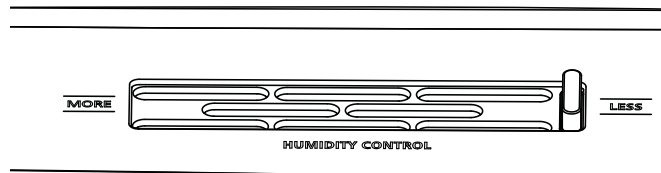
REFRIGERADOR – CAJÓN DE CONTROL DE HUMEDAD

El cajón de control de humedad cuenta con un control de deslizamiento que le permite controlar la cantidad de aire frío que ingresa a los cajones.

Deslice el control completamente hasta la configuración **MORE (Más)** y el cajón brindará mayores niveles de humedad, recomendada para la mayoría de las verduras en hoja.

Deslice el control completamente hasta la configuración **LESS (Menos)** y el cajón brindará menores niveles de humedad, recomendada para la mayoría de las frutas.

El exceso de agua que se puede acumular en la parte inferior de los cajones se deberá vaciar y los cajones deberán ser secos.

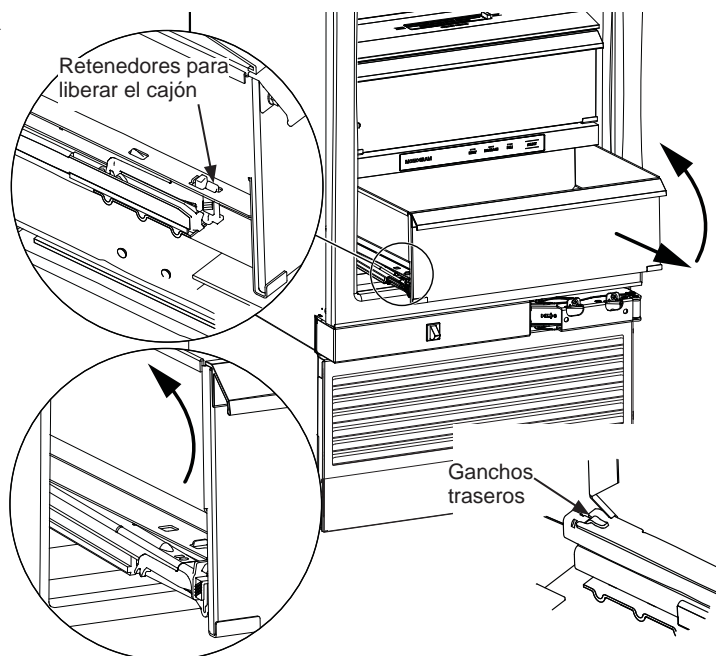


RETIRO DEL CAJÓN DEL REFRIGERADOR

Drawers in the refrigerator will stop before coming all the way out, to help prevent contents from spilling onto floor.

To remove a drawer: Pull the drawer out and press the snaps at the front of both sides to release the drawer. Lift the front of the drawer up while pulling forward to move the pan free of the back slide hooks.

To replace a drawer: Place the back of the pan under the hooks on the back of the slides. Rotate the drawer down until the front snaps are securing the front of the pan.



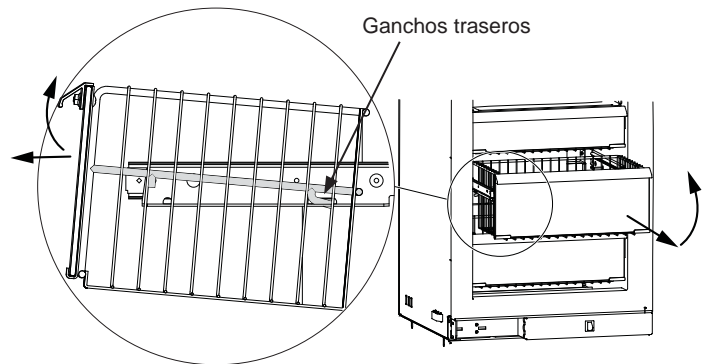
CAJONES / ESTANTES / CUBOS

RETIRO DEL CAJÓN DEL FREEZER

Los cajones del freezer se detendrán antes de abrirse totalmente, a fin de evitar que se derramen contenidos en el piso.

Para retirar un cajón: Empuje el cajón hacia afuera y levante el frente hacia arriba y fuera de la corredera. Continúe levantando mientras empuja hacia adelante para liberar el gancho trasero.

Para reemplazar un cajón: Coloque los ganchos traseros en las ranuras traseras de las correderas. Rote el cajón hacia abajo hasta que los pernos localizadores frontales queden ajustados en las ranuras frontales de las correderas.



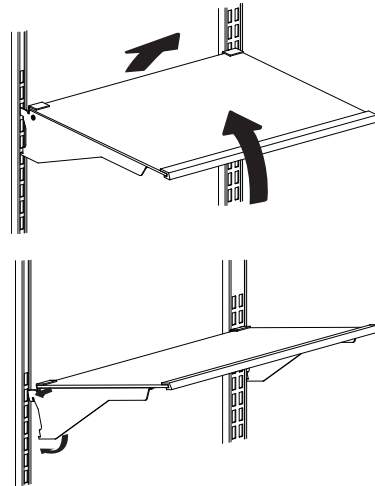
REPISAS AJUSTABLES

Las repisas de vidrio templado del refrigerador y del freezer le permiten realizar arreglos eficientes sobre la repisa para cubrir las necesidades de almacenamiento de comida para su familia.

Para retirar las repisas: Incline la repisa hacia arriba en la parte frontal, luego levante hacia arriba y afuera de los rieles en la pared trasera del refrigerador/ freezer.

⚠ PRECAUCIÓN Sostenga las repisas de vidrio con cuidado. Las repisas de vidrio y las tapas se pueden romper si son expuestas a impactos, tales como sacudones o caídas. El vidrio templado está diseñado para destruirse en pequeñas piezas en caso de rotura.

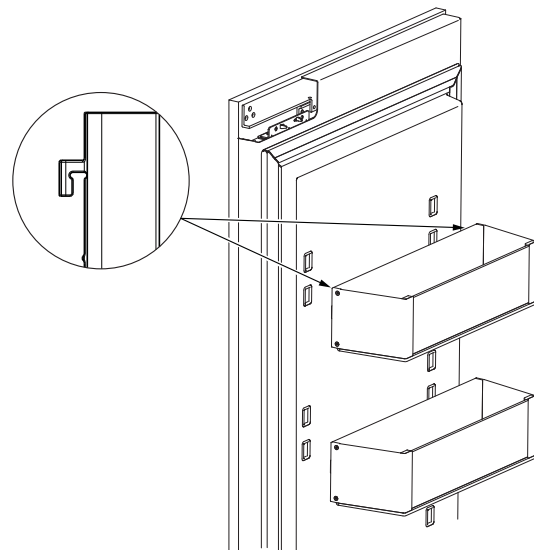
Para reemplazar repisas: Seleccione la altura deseada para la repisa. Con el frente de la repisa elevado levemente, adhiera las orejetas superiores en los rieles de la parte trasera del gabinete. Luego baje el frente de la repisa hasta que calce en su posición.



ESTANTES DE LA PUERTA

Todos los estantes de puerta son ajustables y se pueden mover hacia arriba y abajo para cubrir sus necesidades de almacenamiento.

Para retirar: Levante el estante de la puerta hacia arriba y deslice el mismo hacia usted.



MODO SABÁTICO

El Modo Sabático fue diseñado para el Día de Descanso Judío y Feriados. La función del Modo Sabático hace posible para aquellos judíos que siguen esta celebración refrigerar y congelar comida durante todo el feriado.

La función Sabbath Mode (Modo Sabático) puede ser configurada para anular reacciones típicas sobre acciones de su electrodoméstico. Mientras se encuentre en Sabbath Mode (Modo Sabático), su refrigerador continuará funcionando normalmente. Sin embargo, el refrigerador no responderá a sus acciones.

Mientras se encuentre en Sabbath Mode (Modo Sabático), es posible que observe que el ventilador está funcionando cuando se abre la puerta; sin embargo, esto no es el resultado de sus acciones. El ventilador funcionará en horarios predeterminados. El calentador de descongelación continuará descongelando el electrodoméstico y el freezer y será activado con un temporizador. El calentador de descongelación no descongelará como resultado de abrir la puerta o de cualquier acción del consumidor.

PANTALLAS, ALARMAS y LUCES — Las pantallas del control principal de temperatura serán desactivadas; por lo tanto, no estarán iluminadas, no sonará un tono ni funcionarán cuando se las toque. Las alarmas de la puerta serán desactivadas. Las luces estarán siempre apagadas.

MÁQUINA DE HIELOS Y JARRA DE LLENADO AUTOMÁTICO — La máquina de hielos estará apagada en Sabbath Mode (Modo Sabático). Para obtener hielo, abra la puerta del freezer y retire el hielo en cubos de la cubitera. La jarra de llenado automático no funcionará.

Para activar Sabbath Mode (Modo Sabático), mantenga presionadas las teclas (+) y **DOOR ALARM (Alarma de la Puerta)**, hasta que la pantalla muestre SABBATH MODE (Modo Sabático).

Repita el proceso para apagar Sabbath Mode (Modo Sabático). Sabbath Mode (Modo Sabático) también abandonará de forma automática esta función luego de 4 días calendario o 96 horas. El punto de configuración de temperatura será exhibido.

LIMPIEZA EXTERNA

Manijas y bordes de la puerta—Limpie con una tela húmeda con agua y jabón. Seque con una tela seca.

Control Principal – Use un limpiador de vidrio y seque con una tela suave. Mientras esté limpiando, es posible que se activen teclas específicas y que se modifiquen las configuraciones y modos de la unidad. Si esto sucede, espere 2 minutos y luego presione las teclas adecuadas para regresar los controles a las configuraciones/ modos deseados.

Mantenga limpia la parte externa. Limpie con una tela limpia que esté ligeramente humedecida con detergente líquido suave para platos. Seque con una tela limpia y suave.

No limpie el refrigerador/ freezer con una tela sucia para platos o una toalla mojada. Estos podrán dejar residuos que ocasionen corrosión sobre la terminación. No use estropajos, limpiadores en polvo, blanqueadores o limpiadores que contengan blanqueadores, ya que estos productos pueden rayar y dañar la terminación.

ACERO INOXIDABLE – Superficies exteriores, manijas de puertas, y borde

NOTA: NO permita que el limpiador de acero inoxidable entre en contacto con cualquier parte plástica tal como partes de bordes, materiales de manijas y cobertores. Si se produce un contacto no intencional de los limpiadores con las partes plásticas, limpie estas últimas con una esponja y un detergente suave mezclado con agua caliente.

USE	NO USE
Telas suaves y limpias o esponjas	Telas abrasivas, esponjas de fregar, almohadillas de estropajo o de lana de acero
Detergente suave mezclado con agua caliente Limpiadores de acero inoxidable aprobados. Visite la tienda de piezas de Monogram para acceder a limpiadores de acero inoxidable aprobados: monogram.com Los limpiadores con ácido oxálico tales como Bar Keepers Friend Soft Cleanser™ podrán ser usados para eliminar el óxido, deslustres y pequeñas manchas de las superficies de acero inoxidable únicamente.	Polvos o rociadores abrasivos Rociadores de Ventana o Amoniaco Limpiadores a base de cítrico o aceite vegetal Limpiadores ácidos o a base de vinagre Limpiadores de horno Limpiadores que contengan acetona (propanona) Cualquier limpiador con ADVERTENCIAS sobre el contacto con el plástico

MODO SABÁTICO

LIMPIEZA INTERNA

Para evitar olores, deje abierta una caja de bicarbonato de sodio en la unidad.

Apague el interruptor desde el disyuntor o caja de fusible antes de realizar la limpieza. Si esto no resulta práctico, estruje el exceso de humedad para eliminarlo de la esponja o tela al limpiar alrededor de los interruptores, luces o controles.

Use agua caliente y solución de bicarbonato de sodio — aproximadamente una cucharada sopera (15 ml) de bicarbonato de sodio para un cuarto de galón (1 litro) de agua. Esto limpia y neutraliza los olores. Enjuague y seque totalmente.

Otras partes del refrigerador/ freezer—incluyendo juntas de la puerta, cajón de carnes y verduras, estantes para guardar hielo y todas las piezas de plástico — se pueden limpiar de la misma forma.

⚠ PRECAUCIÓN

No limpie los estantes de vidrio ni tapas con agua caliente cuando estén fríos. Los estantes de vidrio y las tapas se pueden romper si son expuestos a cambios de temperatura repentinos o a impactos, tales como sacudones o caídas. El vidrio templado está diseñado para destruirse en pequeñas piezas en caso de rotura.

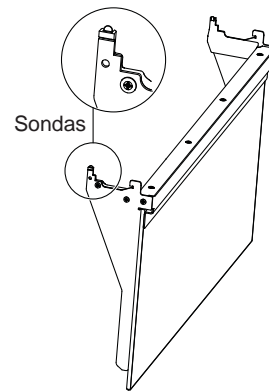
No lave ninguna pieza plástica del refrigerador/ freezer en el lavavajillas.

La jarra de llenado automático y la tapa son de uso seguro en lavavajillas. Se recomienda lavarlas mínimamente una vez por mes.

LIMPIEZA DE LAS REPISAS CON LUCES LED

Si las repisas de vidrio con luces LED integradas son retiradas para su limpieza, asegúrese de proteger las sondas en la parte trasera de las repisas y NO sostenga las repisas con las sondas, ya que esto podrá producir daños.

No introduzca las repisas en agua.



PREPARACIÓN PARA LAS VACACIONES

Configure el interruptor de corriente de la máquina de hielos en la posición OFF (Apagado) y asegúrese de cerrar el suministro de agua al refrigerador.

Si estará de vacaciones o ausente por tiempo prolongado, retire la comida del refrigerador/ freezer. Mueva el control a la posición OFF (Apagado), y limpie el interior con una cucharada sopera (15 ml) de bicarbonato de sodio para un cuarto de galón (1 litro) de

agua. Deje la puerta abierta.

Si se trata de vacaciones cortas, retire los alimentos perecederos y deje los controles en la configuración regular. Sin embargo, si se espera que la temperatura ambiente sea inferior a los 60°F (16°C), siga las mismas instrucciones que seguiría si se tratara de vacaciones prolongadas.

REEMPLAZO DE LA LÁMPARA DE LUZ

Para el reemplazo de las lámparas LED, visite monogram.com.

PREPARACIÓN

UBICACIÓN DEL REFRIGERADOR/ FREEZER

- No instale el refrigerador/ freezer en lugares donde la temperatura sea inferior a los 55°F (13°C). Éste no funcionará con la frecuencia suficiente como para mantener las temperaturas apropiadas.
- No instale el refrigerador/ freezer en lugares donde la temperatura sea superior a los 100°F (37°C). Éste no funcionará correctamente.
- No instale el refrigerador/ freezer en una ubicación expuesta al agua (lluvia, etc.) o en contacto directo con la luz solar.
- Instale el mismo en un piso lo suficientemente fuerte como para soportarlo completamente cargado.

Para una instalación correcta, el refrigerador/ freezer deberá ser ubicado en una superficie nivelada de material duro que posea la misma altura en el resto del piso. Esta superficie deberá ser lo suficientemente fuerte como para resistir el peso de un refrigerador totalmente cargado o aproximadamente 1.200 lbs. (140 kg.). Para acceder a instrucciones completas, consulte las Instrucciones de Instalación.

CONSEJOS PARA LA SOLUCIÓN DE PROBLEMAS

PROBLEMA	CAUSA POSIBLE
EL REFRIGERADOR/ FREEZER NO FUNCIONA	Puede estar en el ciclo de descongelación, donde el motor no funciona por unos 45 minutos.
	El control de temperatura se encuentra en la posición OFF (Apagado).
	Si la luz interna no está encendida, es posible que el refrigerador/ freezer no esté enchufado al tomacorriente.
	Se quemó el fusible/ el disyuntor está desactivado. Reemplace el fusible o reinicie el disyuntor.
	Es posible que el interruptor general de la unidad no esté encendido.
Es posible que el Sabbath Mode (Modo Sabático) esté activado. Apague Sabbath Mode (Modo Sabático).	
EL MOTOR FUNCIONA DURANTE PERÍODOS PROLONGADOS O REALIZA CICLOS DE ENCENDIDO Y APAGADO DE FORMA FRECUENTE (Los refrigeradores y freezers modernos con mayor espacio de almacenamiento y un freezer más grande requieren más tiempo de funcionamiento. Se activan y se detienen con frecuencia para mantener temperaturas parejas).	Normal cuando el refrigerador/ freezer se enchufa por primera vez. Espere 24 horas hasta que el refrigerador/ freezer se enfríe totalmente.
	Sucede con frecuencia cuando se colocan grandes cantidades de comida en el refrigerador/ freezer. Esto es normal.
	Se dejó la puerta abierta o un paquete hace que la puerta quede abierta.
	Clima cálido o apertura frecuente de la puerta. Esto es normal.
	Los controles de temperatura están configurados en la posición más fría. Consulte sobre los Controles de Temperatura.
VIBRACIÓN NORMAL O RUIDOSA (una vibración leve es normal).	Es posible que el refrigerador no esté correctamente instalado.
SONIDO DE GOLPE SECO AL CERRAR LA PUERTA	Se trata de un ruido normal en el funcionamiento.
	El mecanismo que cierra la puerta produce un leve ruido de golpe seco al pasar el punto de la palanca, en aproximadamente 80 grados.
	Cerrar la puerta lentamente minimizará el sonido.
SONIDOS DE FUNCIONAMIENTO	Flujo normal del aire del ventilador. El ventilador enfría el motor del compresor.
	Los ventiladores cambian de velocidad a fin de proveer un enfriamiento óptimo y ahorros de energía.
	<p>Estos sonidos NORMALES también se escucharán de vez en cuando:</p> <ul style="list-style-type: none"> - Es posible que se escuchen zumbidos o gorgoteos al cerrar la puerta. Esto se debe al equilibrio de la presión dentro del refrigerador/ freezer. - Es posible que se escuche un goteo durante el ciclo de descongelación, a medida que el hielo se derrite desde el evaporador y fluye hasta la olla de drenaje. - Es posible que el flujo de refrigerante a través de las bobinas de enfriamiento del refrigerador/ freezer produzca un ruido de gorgoteo similar a agua hirviendo. - El agua que cae sobre el calentador de descongelación puede producir un sonido de chisporroteo, estallido o zumbido durante el ciclo de descongelación. - Es posible que escuche un craqueo o traqueteo cuando el refrigerador/ freezer sea enchufado por primera vez o durante/ luego del ciclo de descongelación. Esto sucede a medida que el refrigerador/ freezer se enfría hasta la temperatura correcta. - El compresor puede producir un ruido de chasquido o gorjeo al intentar reiniciarse (esto puede tomar hasta 5 minutos). - El tablero de control electrónico puede ocasionar un sonido de chasquido cuando los relés se activan para controlar los componentes del refrigerador/ freezer. - Los cubos de hielo caen en la cubitera. - La válvula de agua de la máquina de hielos hará un zumbido y el agua circulará en las tuberías cuando la máquina de hielos y la jarra de llenado automático se llenen de agua.

CONSEJOS PARA LA SOLUCIÓN DE PROBLEMAS

PROBLEMA	CAUSA POSIBLE
LA PUERTA NO CIERRA CORRECTAMENTE	Es posible que un paquete mantenga la puerta abierta.
	Controle la junta de la puerta; es posible que esté fuera de posición.
	El refrigerador no está nivelado. Consulte las Instrucciones de Instalación.
	Es posible que los paneles de puerta no posean espacios libres alrededor de los gabinetes. Incremente el espacio libre.
EL REFRIGERADOR/ FREEZER ESTÁ DEMASIADO CALIENTE	El control de temperatura no se configuró en un nivel lo suficientemente frío. Observe el Control de Temperatura.
	Clima cálido o se abre la puerta con frecuencia.
	La puerta se dejó abierta durante demasiado tiempo.
	Es posible que un paquete mantenga la puerta abierta.
LA TEMPERATURA ACTUAL NO ES EQUIVALENTE A LA TEMPERATURA CONFIGURADA	Se acaba de enchufar el refrigerador. Espere 24 horas hasta que el sistema se estabilice.
	La puerta se mantuvo abierta durante demasiado tiempo. Espere 24 horas hasta que el sistema se estabilice.
	Se agregó comida caliente al refrigerador/ freezer. Espere 24 horas hasta que el sistema se estabilice.
	El ciclo de descongelación está en proceso. Espere 24 horas hasta que el sistema se estabilice.
CRISTALES DE ESCARCHA O HIELO EN COMIDAS CONGELADAS (La escarcha dentro de paquetes es normal).	Se dejó la puerta abierta o un paquete hace que la puerta quede abierta.
	Se abre la puerta de forma muy frecuente o por períodos demasiado largos.
CONGELACIÓN LENTA DE CUBOS DE HIELO	Es posible que la puerta se haya dejado abierta.
	Configure el control de temperatura en una posición más fría.
	Es posible que haya paquetes que mantengan la puerta abierta.
LOS CUBOS DE HIELO POSEEN OLOR/ GUSTO	Es necesario descartar los cubos de hielo viejos.
	Los recipientes para almacenamiento de hielo se deberán vaciar y lavar.
	Es posible que los paquetes que no estén sellados dentro del freezer transmitan olor/ gusto a los cubos de hielo.
	Es necesario limpiar el interior del freezer. Consulte la sección de Cuidado y Limpieza.
	El agua que ingresa posee un gusto desagradable. Reemplace del filtro de agua.
LA MÁQUINA DE HIELOS AUTOMÁTICA NO FUNCIONA	El interruptor de corriente de la máquina de hielos se encuentra en la posición O (Apagado).
	El suministro de agua está apagado o no está conectado.
	El freezer está demasiado caliente.
	Los cubos apilados en el recipiente de almacenamiento pueden hacer que la máquina de hielos se apague demasiado rápido. Nivele los cubos en forma manual.
	La máquina de hielos se podrá desactivar desde el control de temperatura. Encienda la máquina de hielos.
CUBOS PEQUEÑOS O HUECOS	Filtro de agua obstruido. Reemplace el filtro o use el tapón del bypass del filtro.
	Controle la conexión hacia un sistema de agua por ósmosis inversa. Si un sistema de RO (Ósmosis Inversa) se encuentra conectado, retire el filtro de agua e instale el tapón del bypass original que vino incluido con la unidad.
SE FORMA HUMEDAD EN LA PARTE EXTERIOR DEL REFRIGERADOR/ FREEZER	No es atípico durante períodos con altos niveles de humedad. Seque la superficie.
	Controlar la humedad y la temperatura en la cocina con el acondicionador de aire eliminará este problema.

CONSEJOS PARA LA SOLUCIÓN DE PROBLEMAS

PROBLEMA	CAUSA POSIBLE
LA JARRA DE LLENADO AUTOMÁTICO NO FUNCIONA	El suministro de agua está apagado o no está conectado.
	La jarra no es detectada. Retire la jarra y vuelva a colocar la misma en el dispensador.
SE ACUMULA HUMEDAD EN LA PARTE INTERIOR	Se abre la puerta de forma muy frecuente o por períodos demasiado largos.
	En climas húmedos, el aire transporta humedad al refrigerador/ freezer cuando las puertas se abren.
	Controle la humedad y la temperatura en la cocina con el acondicionador de aire.
EL REFRIGERADOR/ FREEZER TIENE OLOR	Las comidas con olores fuertes se deberán cubrir de forma hermética.
	Controle que la comida no se haya echado a perder.
	Se debe limpiar la parte interior. Consulte la sección de Cuidado y Limpieza.
	El sistema de descongelación de agua debajo de la unidad debe ser limpiado.
	El filtro de aire está vencido. Reemplace el filtro de aire.
	Coloque una caja abierta de bicarbonato de sodio en el refrigerador/ freezer; reemplace la misma cada tres meses.
LA LUZ INTERNA NO FUNCIONA	No hay corriente en el tomacorriente.
	La luz LED debe ser reemplazada. Consulte el Servicio Programado.
	Es posible que Sabbath Mode (Modo Sabático) esté activado y en funcionamiento. Apague Sabbath Mode (Modo Sabático).
ES DIFÍCIL VOLVER A ABRIR LA PUERTA DE FORMA INMEDIATA LUEGO DE CERRAR LA MISMA	El sellado hermético de la puerta se debe al equilibrio de la presión dentro del refrigerador.
	Luego de cerrar la puerta, espere entre 5 y 30 segundos para volver a abrirla.

FICHA TÉCNICA DE FUNCIONAMIENTO – Modelo: XWF or XWFE

- Sistema certificado por IAPMO R&T contra los Estándares 42, 53, 401, P473 de NSF/ANSI para la reducción de demandas especificadas en la ficha técnica de rendimiento y en iapmort.org.
- El rendimiento real podrá variar en relación a las condiciones locales del agua.

Sustancia Evaluada para la Reducción	Concentración del peligro de intrusión (mg/L)	Concentración de aguas máximas permitidas sobre el producto (mg/L)	% Promedio de Reducción
Gusto y Olor a Cloro	2.0 mg/L +/- 10%	N/A	96.9
Gusto y Olor a Cloramina	3.0 mg/L +/- 10%	0.5	96.9
Partícula, Clase I	Por lo menos 10,000 partículas/mL	N/A	91.4
Partícula, Clase I	50,000/L	N/A	>99.99
Plomo	0.15	0.01	98.85
Mercurio	0.006	0.002	96.3
Mercurio	107 to 108 fibras/ L	N/A	>99
Toxafeno	0.015 +/- 10%	0.003	86.95
VOC (químico sustituto del cloroformo)	0.300	0.015	99.7
Alaclaro	0.050	0.001	> 98
Atrazina	0.100	0.003	> 97
Benceno	0.081	0.001	> 99
Carbofurano	0.190	0.001	> 99
Tetracloruro de carbono	0.078	0.0018	98
Clorobenceno	0.077	0.001	> 99
Cloropincrina	0.015	0.0002	99
2,4-D	0.110	0.0017	98
Dibromocloropropano (DBCP)	0.052	0.00002	> 99
o-Diclorobenceno	0.08	0.001	> 99
p-Diclorobenceno	0.040	0.001	> 98
1,2-dicloroetano	0.088	0.0048	95
1,2-dicloroetano	0.083	0.001	> 99
Cis-1,2-dicloroetileno	0.170	0.0005	> 99
Trans-1,2-dicloroetileno	0.086	0.001	> 99
1,2-dicloropropano	0.080	0.001	> 99
cis-1,3-dicloropropileno	0.079	0.001	> 99
Dinoseb	0.170	0.0002	99
Endrina	0.053	0.00059	99
Etilbenceno	0.088	0.001	> 99
Dibromuro de etileno (EDB)	0.044	0.00002	> 99
Bromocloroacetnitrilo	0.022	0.0005	98
Dibromoacetnitrilo	0.024	0.0006	98
dichloroacetnitrilo	0.0096	0.0002	98
Dicloroacetnitrilo	0.015	0.0003	98
1,2-dicloro-2-propanona	0.0072	0.0001	99
1,1,1-tricloro-2-propanona	0.0082	0.0003	96
Heptacloro (H-34, Heptox)	0.025	0.00001	>99
Epóxido de heptacloro	0.0107	0.0002	98
Hexaclorociclopentadieno	0.044	0.001	> 98
Hexaclorociclopentadieno	0.060	0.000002	> 99
Lindano	0.055	0.00001	> 99
Metoxicloro	0.050	0.0001	> 99
Pentaclorofenol	0.096	0.001	> 99
Simazina	0.120	0.004	> 97
Tetracloroetileno	0.150	0.0005	> 99
1,1,2,2-Tetracloroetileno	0.081	0.001	> 99
Tetracloroetileno	0.081	0.001	> 99
Tolueno	0.078	0.001	> 99
2,4,5-TP (silvex)	0.270	0.0016	99
Ácido tribromoacético	0.042	0.001	> 98
1,2,4-Triclorobenceno	0.160	0.0005	> 99
1,1,1-tricloroetano	0.084	0.0046	95
1,1,2-tricloroetano	0.150	0.0005	> 99
Tricloroetileno	0.180	0.0010	> 99
Bromoformo	0.300	0.015	95
Bromodichlorometano	0.300	0.015	95
clorodibromometano	0.300	0.015	95
Xileno	0.070	0.001	>99
Meprobamato	400 +/- 20%	60	95.5
Atenolol	200 +/- 20%	30	95.9
carbamazepina	1400 +/- 20%	200	98.6
DEET	1400 +/- 20%	200	98.6
Metolacoloro	1400 +/- 20%	200	98.7
Trimetoprima	140 +/- 20%	20	96.1
Linuron	140 +/- 20%	20	96.6
TCEP	5000 +/- 20%	700	98.1
TCP	5000 +/- 20%	700	98.1
Fenitoína	200 +/- 20%	30	96
Naproxeno	400 +/- 20%	60	95.9
Naproxeno	140 +/- 20%	20	96.5
Estrona	140 +/- 20%	20	97.1
Bisfenol A	2000 +/- 20%	300	99.1
Nonyl phenol	1400 +/- 20%	200	97.3
PFOA/PFOS	1.5 mg/L +/- 10%	0.07	99.25

Pautas de Aplicación/ Parámetros de Suministro de Agua

Flujo de Servicio	0.5 gpm (1.89 lpm)
Suministro de Agua	Agua Potable
Presión del Agua	25-120 psi (172-827 kPa)
Temperatura del agua	33°F-100°F (0.6°C-38°C)
Capacidad	170 galones (643.5 litros)

Es esencial que se cumpla con los requisitos de instalación, mantenimiento y reemplazo de filtros recomendados por el fabricante, a fin de que el producto funcione de acuerdo a como fue promocionado. Para acceder a información sobre la Garantía, consulte el Manual de Instalación.

NOTA: Observe que aunque la evaluación se realizó de acuerdo con condiciones estándares de laboratorio, el desempeño puede variar. Reemplazo del Cartucho: XWF or XWFE. Para conocer costos estimados de elementos de reemplazo, visite nuestro sitio Web en geappliancesparts.com.

⚠ ADVERTENCIA

A fin de reducir el riesgo asociado con la ingestión de contaminantes:

- No se deben usar con agua que no sea microbiológicamente segura o de calidad desconocida sin una desinfección adecuada, antes o después, del sistema. Los sistemas certificados para la reducción de quistes se podrían usar en aguas desinfectadas que puedan contener quistes filtrables.

AVISO

A fin de reducir el riesgo de pérdidas de agua o inundación, y para asegurar un rendimiento óptimo del filtro:

- Lea y siga las Instrucciones de uso antes de la instalación y uso de este sistema.
- La instalación y uso DEBERÁN cumplir con todos los códigos estatales y locales de plomería.
- No se deberá instalar si la presión del agua supera los 120 psi (827 kPa). Si la presión del agua es superior a los 80 psi (552 kPa), deberá instalar una válvula limitadora de presión. Si no está seguro sobre cómo controlar la presión del agua, comuníquese con un plomero profesional.
- No instale cuando se puedan producir condiciones de golpe de ariete. Si existen condiciones de golpe de ariete, deberá instalar un suspensor de golpes de ariete.
- Si no está seguro sobre cómo controlar esta condición, comuníquese con un plomero profesional.
- No instale en líneas de suministro de agua caliente. La temperatura máxima de funcionamiento del agua para este sistema de filtro es de 100°F (37.8°C).
- Proteja el filtro de heladas. Drene el filtro cuando las temperaturas sean inferiores a 33°F (0.6°C).
- Cambie el cartucho del filtro descartable cada seis meses o antes, si observa una reducción notoria en el promedio del flujo de agua.
- Si no se reemplaza el cartucho del filtro descartable en intervalos recomendados, se podrá producir un rendimiento inferior del filtro y quebraduras en el espacio de colocación del filtro, ocasionando pérdidas de agua o inundación.
- Este sistema fue evaluado de acuerdo con NSF/ANSI 42, 53, 401 y P473 para la reducción de las sustancias que figuran a continuación. La concentración de las sustancias indicadas en agua que ingresa al sistema fue reducida a una concentración inferior o igual al límite permitido de agua que deja el sistema, de acuerdo con lo especificado en NSF/ANSI 42, 53, 401 y P473.



Sistema XWF or XWFE certificado por IAPMO R&T contra los Estándares 42, 53, 401 y P473 de NSF/ANSI para la reducción de demandas especificadas en la ficha técnica de rendimiento en iapmort.org.

GARANTÍA LIMITADA DE MONOGRAM

Monogram.com

Todo el servicio de garantía es provisto por nuestros Centros de Servicio de Fábrica, o por un técnico autorizado de Customer Care® (Servicio al Cliente). Para programar el servicio a través de Internet, visítenos en monogram.com/contact.

En Canadá, visite monogram.ca.

Para realizar el servicio técnico de su refrigerador se podrá requerir el uso de datos del puerto de abordaje para su diagnóstico. Esto da al técnico del Servicio de Fábrica de Monogram la habilidad de diagnosticar de forma rápida cualquier problema con su electrodoméstico, y de ayudar a Monogram a mejorar sus productos al brindarle a Monogram la información sobre su electrodoméstico. Si no desea que los datos de su electrodoméstico sean enviados a Monogram, solicitamos que le indique a su técnico NO entregar los datos a Monogram en el momento del servicio.

Por el Período de	Monogram Appliances reemplazará :
Garantía limitada por dos años	Por dos años desde la fecha original de compra, le brindaremos, sin costo, piezas y trabajos del servicio técnico en su hogar para la reparación o reemplazo de cualquier pieza del refrigerador o del freezer que presente fallas debido a defectos de fabricación.
Garantía limitada por cinco años	Por cinco años desde la fecha original de compra, le brindaremos, sin costo, piezas y trabajos del servicio técnico en su hogar para la reparación o reemplazo de cualquier pieza del sistema de refrigeración sellado (el compresor, condensador, evaporador y todas las tuberías de conexión) que presente fallas debido a defectos de fabricación.
Garantía limitada adicional del sexto al doceavo año sobre el sistema de sellado	Desde el sexto al doceavo año desde la fecha original de compra, le brindaremos, sin costo, el reemplazo de partes de cualquier pieza del sistema de refrigeración sellado (el compresor, condensador, evaporador y todas las tuberías de conexión) que presenten fallas debido a defectos de fabricación. Usted paga por el viaje del profesional del servicio técnico a su hogar y por los costos del trabajo del servicio técnico.
Garantía limitada de treinta días del cartucho del filtro de agua (filtro de agua, si se incluye)	Desde la fecha de compra original le brindaremos, sin costo, el reemplazo de partes de cualquier pieza del cartucho del filtro de agua que falle debido a defectos de fabricación. Durante la garantía limitada de treinta días, también le brindaremos, sin costo, el reemplazo de un cartucho del filtro de agua.

Qué no cubrirá Monogram :

- Viajes del técnico del servicio a su hogar para enseñarle sobre cómo usar el producto.
- Reemplazo de fusibles en el hogar o reinicio de disyuntores.
- Daños ocasionados sobre el producto por accidente, incendio, inundaciones o catástrofes naturales.
- Fallas del producto si su uso es para propósitos diferentes al original o uso comercial.
- Daño causado después de la entrega.
- Instalación, entrega o mantenimiento inadecuados. Si tiene un problema con la instalación, comuníquese con su vendedor o instalador. Usted es responsable de brindar instalaciones adecuadas de conexión eléctrica, plomería u otras instalaciones de conexión.
- Reemplazo de bombillas de luz, si se incluyen, o el cartucho del filtro de agua, si se incluye, a diferencia de lo detallado anteriormente.
- Reemplazo del cartucho del filtro de agua, si se incluye, debido a la presión del agua que está fuera del rango de funcionamiento específico o debido a exceso de sedimentos en el suministro de agua.
- Pérdida de comida debido a descomposición (en EE.UU. únicamente).
- Daños consecuentes o incidentales causados por posibles defectos sobre este electrodoméstico.
- Producto no accesible para que se brinde el servicio requerido.
- Daño ocasionado por un filtro de agua de una marca que no sea GE Appliances.

EXCLUSIÓN DE GARANTÍAS IMPLÍCITAS — Su única y exclusiva alternativa es la reparación del producto, como se indica en esta Garantía Limitada. Las garantías implícitas, incluyendo garantías implícitas de comerciabilidad o conveniencia sobre un propósito particular, se limitan a un año o al período más corto permitido por la ley.

Esta garantía limitada se extiende al comprador original y a cualquier dueño subsiguiente de productos comprados para uso hogareño dentro de EE.UU. Si el producto está en un área donde no se encuentra disponible un Proveedor Autorizado del Servicio Técnico de Monogram, usted será responsable por el costo de un viaje o se podrá requerir que traiga el producto a una ubicación del Servicio Técnico de Monogram Autorizado para recibir el servicio. En Alaska, la garantía limitada excluye el costo de envío o llamadas del servicio a su hogar.

Algunos estados/ provincias no permiten la exclusión o limitación de daños incidentales o consecuentes, de modo que es posible que dicha limitación o exclusión no se aplique en su caso. Esta garantía le da derechos legales específicos, y es posible que usted tenga otros derechos que varían entre un estado y otro, o entre una provincia y otra. Para conocer cuáles son sus derechos legales en su estado/ provincia, consulte a la oficina de asuntos del consumidor local o estatal o al Fiscal de su Estado.

Garante: GE Appliances, a Haier company, Louisville KY,40225

Garante en Canadá: MC Commercial, Burlington, ON, L7R 5B6

Abroche su recibo aquí. Para acceder al servicio técnico de acuerdo con la garantía deberá contar con la prueba de la fecha original de compra.

NOTAS

NOTAS

