

# Installation Instructions

If you have questions, call 800.GE.CARES or visit our website at: [www.monogram.com](http://www.monogram.com)

**30", 36" and 48"  
Professional  
Restaurant Style  
Vent Hoods**

Models:

ZV48R

ZV36R

ZV30R



# Safety Information

## READ AND SAVE THESE INSTRUCTIONS

### BEFORE YOU BEGIN

Read these instructions completely and carefully.

- **IMPORTANT** — Save these instructions for local inspector's use.
- **IMPORTANT** — Observe all governing codes and ordinances.
- **Note to Installer** — Be sure to leave these instructions with the Consumer.
- **Note to Consumer** — Keep these instructions with your Owner's Manual for future reference.
- **Skill Level** — Installation of this appliance requires basic mechanical and electrical skills.
- **Completion Time** — 1 to 3 Hours.
- Proper installation is the responsibility of the installer. Product failure due to improper installation is not covered under the warranty.

For Monogram local service in your area, call 1.800.444.1845.

For Monogram service in Canada, call 1.800.561.3344.

For Monogram Parts and Accessories, call 1.800.626.2002.

### ⚠ CAUTION:

Due to the weight and size of these vent hoods and to reduce the risk of personal injury or damage to the product, **TWO PEOPLE ARE REQUIRED FOR PROPER INSTALLATION.**

### ⚠ WARNING:

To reduce the risk of fire or electrical shock, do not use this range hood with any external solid-state speed control device. Any such alteration from original factory wiring could result in damage to the unit and/or create an electrical safety hazard.

**TO REDUCE THE RISK OF FIRE, USE ONLY METAL DUCTWORK.**

### ⚠ WARNING: TO REDUCE THE RISK OF FIRE, ELECTRICAL SHOCK OR INJURY TO PERSONS, OBSERVE THE FOLLOWING:

- A. Use this unit only in the manner intended by the manufacturer. If you have any questions, contact the manufacturer.
- B. Before servicing or cleaning the unit, switch the power off at the service panel and lock the service disconnecting means to prevent the power from being switched on accidentally. When the service disconnecting means cannot be locked, securely fasten a prominent warning device, such as a tag, to the service panel.

### ⚠ CAUTION: FOR GENERAL VENTILATING USE ONLY. DO NOT USE TO EXHAUST HAZARDOUS MATERIALS, EXPLOSIVE MATERIALS OR VAPORS.

### ⚠ WARNING: TO REDUCE THE RISK OF FIRE, ELECTRICAL SHOCK OR INJURY TO PERSONS, OBSERVE THE FOLLOWING:

- Installation work and electrical wiring must be done by qualified person(s) in accordance with all applicable codes and standards, including fire-rated construction.
- Sufficient air is needed for proper combustion and exhausting of gases through the flue (chimney) of fuel burning equipment to prevent back-drafting. Follow the heating equipment manufacturer's guidelines and safety standards, such as those published by the National Fire Protection Association (NFPA), the American Society for Heating, Refrigeration and Air Conditioning Engineers (ASHRAE) and the local code authorities. When applicable, install any makeup (replacement) air system in accordance with local building code requirements. Visit [GEAppliances.com](http://GEAppliances.com) for available makeup air solutions.
- When cutting or drilling into walls or ceilings, do not damage electrical wiring and other hidden utilities.
- Ducted systems must always be vented to the outdoors.
- Local codes vary. Installation of electrical connections and grounding must comply with applicable codes. In the absence of local codes, the vent should be installed in accordance with National Electrical Code ANSI/NFPA 70-1990 or latest edition.

**⚠ CAUTION:** To reduce risk of fire and to properly exhaust air, be sure to duct air outside—do not vent exhaust air into spaces within walls or ceilings or into attics, crawl spaces or garages.

# Consignes de Sécurité

## LISEZ ET CONSERVEZ CES INSTRUCTIONS

### AVANT DE COMMENCER

Lisez ces instructions entièrement et attentivement.

- **IMPORTANT** – Conservez ces instructions pour l'inspecteur électrique local.
- **IMPORTANT** – Respectez tous les codes et règlements en vigueur.
- **Remarque pour l'installateur** – Assurez-vous de remettre ces instructions à l'utilisateur.
- **Remarque pour l'utilisateur** – Conservez ces instructions avec votre notice d'utilisation pour toute référence future.
- **Niveau de compétence** – L'installation de cet appareil demande des connaissances de base en mécanique et en électricité.
- **Délai d'exécution** – 1 à 3 heures.
- L'installateur est responsable de l'installation correcte de l'appareil. La panne de l'appareil due à une mauvaise installation n'est pas couverte par la garantie.

Pour les services locaux Monogram dans votre secteur, appelez le 1.800.444.1845.

Pour les services Monogram au Canada, appelez le 1.800.561.3344.

Pour les Pièces et Accessoires Monogram, appelez 1.800.626.2002.

### ▲ MISE EN GARDE :

A cause de la taille et du poids de ces hottes d'extraction ainsi que pour réduire le risque de blessure corporelle ou de dommage au produit, DEUX PERSONNES SONT REQUISES POUR UNE INSTALLATION CORRECTE.

### ▲ AVERTISSEMENT :

Pour réduire le risque d'incendie ou de choc électrique, n'utilisez pas cette hotte avec un dispositif de contrôle de la vitesse à semi-conducteurs. Toute altération du câblage électrique d'origine peut endommager l'appareil et/ou créer un risque électrique.

**POUR RÉDUIRE LE RISQUE D'INCENDIE, N'UTILISEZ QUE DES CONDUITS MÉTALLIQUES.**

### ▲ AVERTISSEMENT : POUR RÉDUIRE LE RISQUE D'INCENDIE, DE CHOC ÉLECTRIQUE OU DE BLESSURE CORPORELLE, SUIVEZ LES INSTRUCTIONS SUIVANTES :

- A. Cet appareil doit uniquement être utilisé aux fins prévues par le fabricant. Si vous avez des questions, contactez le fabricant.

- B. Avant de réparer ou de nettoyer un appareil, coupez l'alimentation électrique au niveau du tableau de distribution et verrouillez le disjoncteur pour éviter que l'alimentation électrique ne soit accidentellement rétablie. Quand il n'est pas possible de verrouiller le disjoncteur, attachez un moyen d'avertissement, une étiquette par exemple, au panneau de distribution.

### ▲ MISE EN GARDE : UNIQUEMENT POUR UNE ÉVACUATION DE TYPE GÉNÉRAL. N'UTILISEZ PAS CET APPAREIL POUR ÉVACUER DES SUBSTANCES OU DES VAPEURS NOCIVES OU EXPLOSIVES.

### ▲ AVERTISSEMENT : POUR RÉDUIRE LE RISQUE D'INCENDIE, DE CHOC ÉLECTRIQUE OU DE BLESSURE CORPORELLE, SUIVEZ LES INSTRUCTIONS SUIVANTES :

- L'installation et le câblage électrique doivent être effectués par une ou plusieurs personnes qualifiées, conformément à tous les codes et toutes les normes applicables, dont ceux concernant la résistance au feu des constructions.
- Une quantité d'air suffisante est nécessaire à une combustion et une évacuation appropriées des gaz par le conduit d'évacuation (cheminée) de l'équipement à combustible pour éviter tout refoulement. Suivez les directives et normes de sécurité du fabricant de l'appareil chauffant, comme celles publiées par la National Fire Protection Association (NFPA), par l'American Society for Heating, Refrigeration and Air Conditioning Engineers (ASHRAE) et par les autorités locales. Le cas échéant, installez un système de compensation d'air (remplacement) conformément aux conditions des codes locaux du bâtiment. Visitez le site [GEAppliances.com](http://GEAppliances.com) pour connaître les solutions offertes en matière de système de compensation d'air.
- Lorsque vous effectuez des découpes ou que vous percez un mur ou un plafond, n'endommagez pas le câblage électrique ou tout autre réseau d'alimentation caché.
- L'air des ventilateurs disposant de conduits d'aération doit toujours être évacué vers l'extérieur.
- Les codes locaux peuvent varier. L'installation de branchements électriques et la mise à la terre doivent être conformes aux codes en vigueur. Les évacuations doivent être installées conformément à la dernière édition du Code Electrique National ANSI/NFPA No 70-1990.

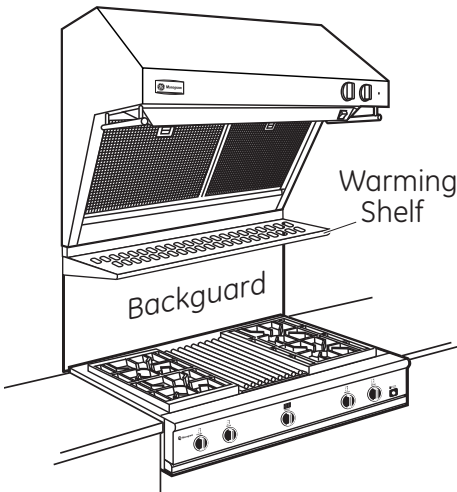
**▲ MISE EN GARDE :** Pour réduire le risque d'incendie et évacuer correctement l'air en l'évacuant vers l'extérieur—n'évacuez pas l'air vers un espace entre deux murs ou dans le plafond ou encore dans un grenier, un vide sanitaire ou un garage.

# Installation Instructions

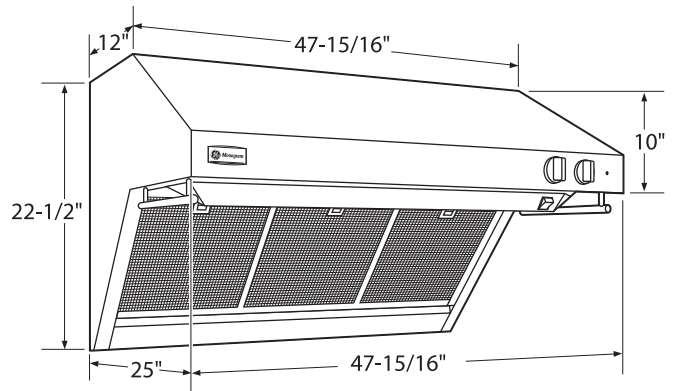
## CONTENTS

Product Dimensions.....	4	Step 1, Determine Ductwork and Wiring Locations.....	10
Installation Clearances.....	5	Step 2A, Install Hood Onto Wall.....	11
Optional Duct Cover Accessories.....	5	Step 2B, Install Hood Beneath Soffit.....	12
Installation Height, Duct Cover Accessories.....	6	Step 3, Connect Ductwork.....	13
Advance Planning.....	7	Step 4, Connect Electrical.....	13
Power Supply.....	7	Step 5, Install Duct Covers.....	13
Duct Fittings.....	8	Step 6, Install Motor.....	13
Tools and Materials Required.....	8	Step 7, Install Filters.....	14
Remove the Packaging.....	9	Step 8, Install Backguard and Shelf.....	14
Parts Provided.....	9	Step 9, Install Shelf Only.....	15
		Step 10, Install Implement Rods.....	15

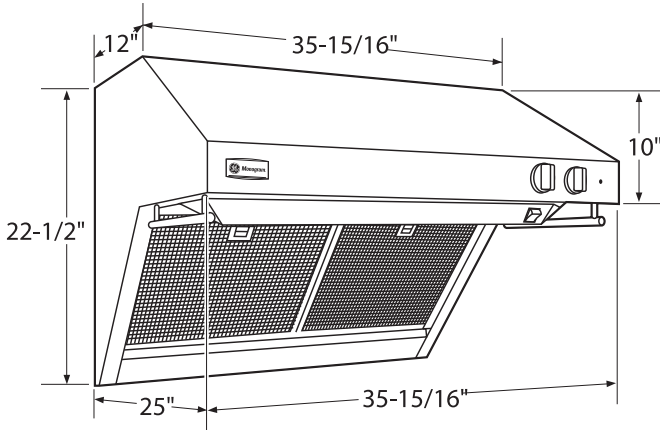
## PRODUCT DIMENSIONS



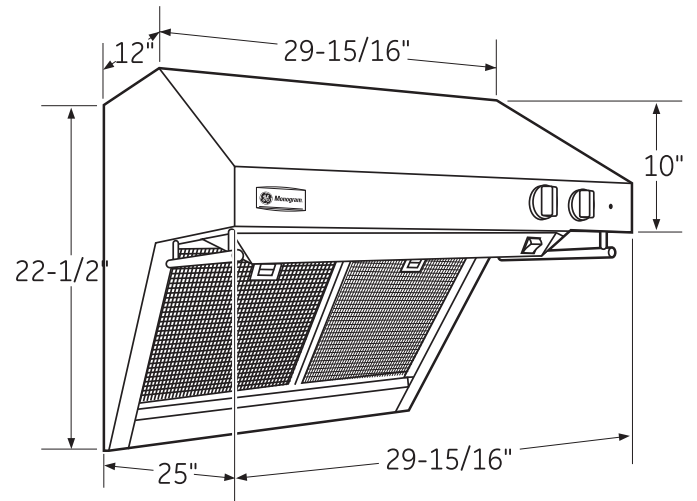
Each hood is shipped with a stainless steel backguard and a warming shelf. Hoods may be installed with the shelf or backguard alone, or with both as shown.



Model ZV48R



Model ZV36R



Model ZV30R

# Advance Planning

## INSTALLATION CLEARANCES

These vent hoods are designed to be installed onto a wall or beneath a soffit or cabinet.

### Installation with Warming Shelf

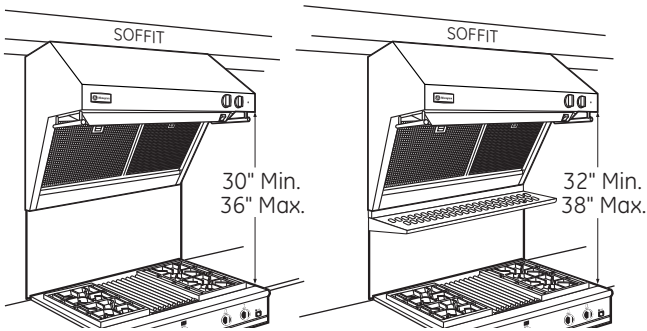
- Hoods must be installed 32" min., 38" max. over any type cooking surface when warming shelf is used.

### Installation without Warming Shelf

- Install these hoods 30" min. to 36" max. above the cooking surface when installed over any professional style cooktop or range.
- These hoods may be installed 24" min. above a gas or electric drop-in style cooktop.

**Note:** Clearances may vary due to type of cooking product and local codes. Check with local inspectors to be sure standard is applicable.

Soffit Installation

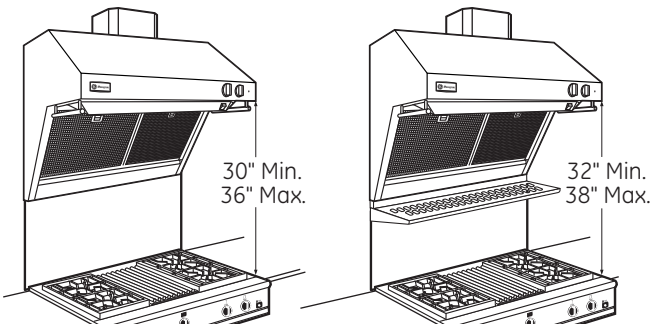


Install these hoods 30" min. to 36" max. over a professional style cooktop or range.

Allow 32" min. and 36" max. clearance above any cooking surface when installed with shelf.

In this installation the ductwork running from the top of the hood will be concealed in the soffit or upper cabinetry.

Wall Mount Installation



Install these hoods 30" min. to 36" max. over a professional style cooktop or range.

Allow 32" min. and 36" max. clearance above any cooking surface when installed with shelf.

For this installation, a decorative duct cover is available to conceal the ductwork running from the top of the hood. Use of the duct cover requires special consideration to the installation height above the countertop.

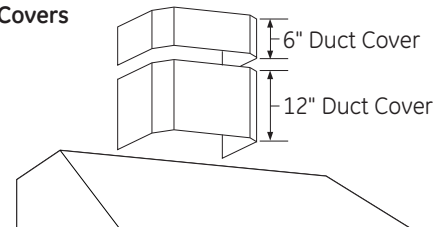
## OPTIONAL DUCT COVER

### ACCESSORIES

Standard decorative duct covers are available in 6" and 12" heights. Duct covers may be stacked, in various combinations, to conceal the ductwork running from the top of the hood to the ceiling.

- Before you begin, you should determine the installation height of the hood and order the correct size duct cover. The duct covers should be ordered at the same time as the vent hood and be on site before installation. Order the duct cover corresponding to your model.

Standard Duct Covers



### 6" Duct Covers

Hood Model	6" Duct Cover	Dimensions
ZV48R	ZX48DC6	6"H x 19-11/16"W x 11-7/8"D
ZV36R	ZX36DC6	6"H x 15-3/4"W x 11-7/8"D
ZV30R	ZX36DC6	6"H x 15-3/4"W x 11-7/8"D

### 12" Duct Covers

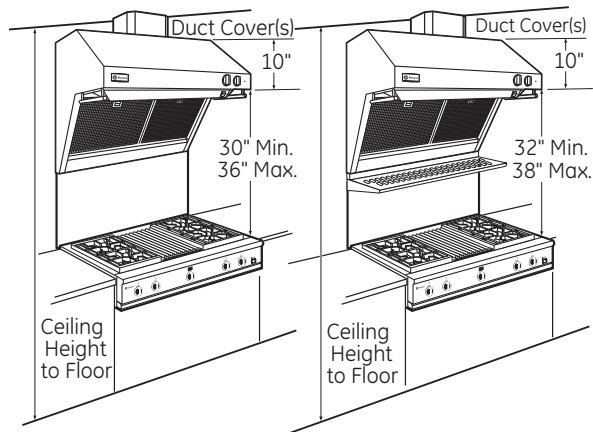
Hood Model	12" Duct Cover	Dimensions
ZV48R	ZX48DC12	12"H x 19-11/16"W x 11-7/8"D
ZV36R	ZX36DC12	12"H x 15-3/4"W x 11-7/8"D
ZV30R	ZX36DC12	12"H x 15-3/4"W x 11-7/8"D

# Advance Planning

## DETERMINE INSTALLATION HEIGHT, DUCT COVER ACCESSORIES

These vent hoods must be installed 30" min. to 36" max. above the standard 36" high cooking surface. When installed with the warming shelf, allow 32" min. to 38" max. clearance. The exact hood installation height is determined by the ceiling height.

1. Measure the exact ceiling height.
2. Review the chart at right to determine the range of possible hood installation heights that can be accomplished with one or more duct covers.
3. Increase or decrease hood installation height to accommodate the fixed 6" or 12" duct covers.
4. Duct covers may be stacked, in various combinations, to reach ceiling heights.



**Note:** When determining the installation height, consideration must be given to the use of the warming shelf.

Actual Ceiling Height	Restaurant-Style Hoods without Warming Shelf Installed			Restaurant-Style Hoods with Shelf Installed		
	*Possible Hood Installation Height	6" Duct Covers	12" Duct Covers	*Possible Hood Installation Height	6" Duct Covers	12" Duct Covers
7' 11"	31"	1	1	37"		1
8' 0"	32"	1	1	32"	1	1
8' 0"				38"		1
8' 1"	33"	1	1	33"	1	1
8' 2"	34"	1	1	34"	1	1
8' 3"	35"	1	1	35"	1	1
8' 4"	30"		2			
8' 4"	36"	1	1	36"	1	1
8' 5"	31"		2	37"	1	1
8' 6"	32"		2	32"		2
8' 6"				38"	1	1
8' 7"	33"		2	33"		2
8' 8"	34"		2	34"		2
8' 9"	35"		2	35"		2
8' 10"	30"	1	2			
8' 10"	36"		2	36"		2
8' 11"	31"	1	2	37"		2
9' 0"	32"	1	2	32"	1	2
9' 0"				38"		2
9' 1"	33"	1	2	33"	1	2
9' 2"	34"	1	2	34"	1	2
9' 3"	35"	1	2	35"	1	2
9' 4"	30"		3			
9' 4"	36"	1	2	36"	1	2
9' 5"	31"		3	37"	1	2
9' 6"	32"		3	32"		3
9' 6"				38"	1	2
9' 7"	33"		3	33"		3
9' 8"	34"		3	34"		3
9' 9"	35"		3	35"		3
9' 10"	30"	1	3			
	36"		3	36"		3
9' 11"	31"	1	3	37"		3
10' 0"	32"	1	3	32"	1	3
10' 0"				38"		3

\*Based on 36" countertop height.

**Note:** Additional duct covers may be used to reach higher ceilings.



# Advance Planning

## ADVANCE PLANNING

### Ductwork Planning

- These vent hoods are equipped for 10" round ductwork. For best performance, use 10" round ductwork on the 48" wide hoods. 30" and 36" hoods may be transitioned to 8" round.
- This hood may be vented vertically through upper cabinets, soffit or ceiling. A duct transition piece is supplied for vertical exhaust. Use locally supplied elbows to vent horizontally through the rear wall.
- Determine the exact location of the vent hood.
- Plan the route for venting exhaust to the outdoors.
- Use the shortest and straightest duct route possible. For satisfactory performance, duct run should not exceed 150 ft. equivalent length for any duct configurations.
- Refer to "Duct Fittings" chart to compute the maximum permissible length for duct runs to the outdoors.
- Use metal ductwork only.
- Install a wall cap or roof cap with damper at the exterior opening. Order the wall or roof cap and any transition needed in advance.
- When applicable, install any makeup (replacement) air system in accordance with local building code requirements. Visit [GEAppliances.com](http://GEAppliances.com) for available makeup air solutions.

### Wall Framing for Adequate Support

- These vent hoods are heavy. Adequate structural support must be provided. Hoods must be secured to vertical studs in the wall.
- It is strongly recommend that the vent hood with duct cover be on site before final framing and wall finishing. This will also help to accurately locate the ductwork and electrical service.

### Decorative Duct Covers:

Decorative duct covers, 6" and 12" high, are available to fit all models. The duct cover conceals the ductwork running from the top of the hood to the ceiling or soffit. Stack one or more duct covers over the top of the hood to reach your ceiling height.

## POWER SUPPLY

**IMPORTANT** - (Please read carefully)

### WARNING:

FOR PERSONAL SAFETY, THIS APPLIANCE MUST BE PROPERLY GROUNDED.

**AVERTISSEMENT** – POUR DES RAISONS DE SÉCURITÉ, CET APPAREIL DOIT ÊTRE CORRECTEMENT MIS À LA TERRE.

Remove house fuse or open circuit breaker before beginning installation.

Do not use an extension cord or adapter plug with this appliance. Follow National electrical codes or prevailing local codes and ordinances.

### Electrical supply

These vent hoods must be supplied with 120V, 60Hz, and connected to an individual, properly grounded branch circuit, and protected by a 15 or 20 amp circuit breaker or time delay fuse.

- Wiring must be 2 wire with ground.
- If the electrical supply does not meet the above requirements, call a licensed electrician before proceeding.
- Route house wiring as close to the installation location as possible on the back wall or ceiling.
- Connect the wiring to the house wiring in accordance with local codes.

### Grounding instructions

The grounding conductor must be connected to a ground metal, permanent wiring system, or an equipment-grounding terminal or lead on the hood.

**WARNING:** The improper connection of the equipment-grounding conductor can result in a risk of electric shock. Check with a qualified electrician or service representative if you are in doubt whether the appliance is properly grounded.

### AVERTISSEMENT

Le mauvais branchement du fil de mise à la terre peut causer un choc électrique. En cas de doute, consulter un électricien qualifié ou un technicien pour déterminer si l'appareil est à la terre.

# Advance Planning

## DUCT FITTINGS

Use this chart to compute maximum permissible lengths for duct runs to outdoors.

For best results, use 10" diameter duct.

**Note:** Do not exceed maximum permissible equivalent lengths!

**Maximum recommended duct length for these hoods: 150 feet**


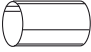




### Flexible ducting:

If flexible metal ducting is used, all the equivalent feet values in the table should be doubled. The flexible metal duct should be straight and smooth and extended as much as possible.

Do NOT use flexible plastic ducting.

**Note:** Any home ventilation system, such as a ventilation hood, may interrupt the proper flow of combustion air and exhaust required by fireplaces, gas furnaces, gas water heaters and other naturally vented systems. To minimize the chance of interruption of such naturally vented systems, follow the heating equipment manufacturer's guidelines and safety standards such as those published by NFPA and ASHRAE. When applicable, install any makeup (replacement) air system in accordance with local building code requirements. Visit [GEAppliances.com](http://GEAppliances.com) for available makeup air solutions.

**Hoods Are Equipped For 10" Round Duct**

Duct Piece	Equivalent Length*	Quantity Used	Total Length
 10" round to 8" round	5 ft.		
 Round, straight	1 ft. (per foot length)		
 90° elbow	8" Dia. 17 ft. 10" Dia. 24 ft.		
 45° elbow	8" Dia. 10 ft. 10" Dia. 14 ft.		
 Round wall cap with damper	8" Dia. 32 ft. 10" Dia. 41 ft.		
 Round roof cap	8" Dia. 44 ft. 10" Dia. 56 ft.		
Total Duct Run			_____

\*Hoods are supplied with a 10" round transition. A locally supplied transition is required for other sizes.

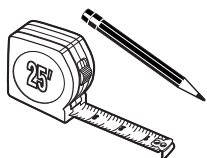
**Note:** Outlet on top of hood is 8-1/8" x 8".

\*Actual length of straight duct plus duct fitting equivalent. Equivalent length of duct pieces are based on actual tests conducted by GE Evaluation Engineering and reflect requirements for good venting performance with any ventilation hood.

## Installation Preparation

### TOOLS AND MATERIALS REQUIRED

(NOT SUPPLIED)



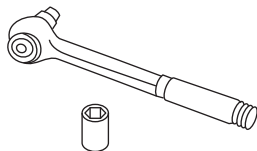
Pencil and tape measure



Duct tape



Wire cutter/  
stripper



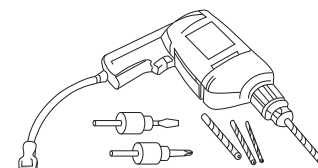
Safety glasses



Hammer



Key Hole Saw



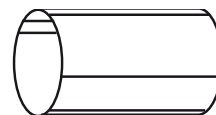
Electric or battery operated  
drill and 1/8", 3/8" bits



Spirit level



Wire nuts



10" round  
metal duct,  
length to  
suit installation.



Pliers



Metal Snips



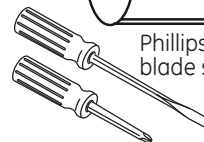
Step ladder



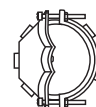
Saber saw  
or Sawsall



Flashlight



Phillips and flat  
blade screwdrivers



Strain relief for  
junction cover.



120V 60Hz. 15 or 20 Amp,  
2-wire with ground. Properly  
grounded branch circuit.



# Installation Preparation

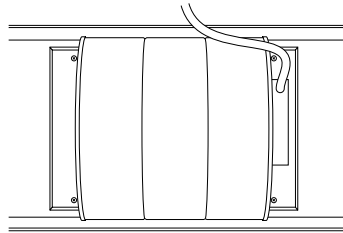
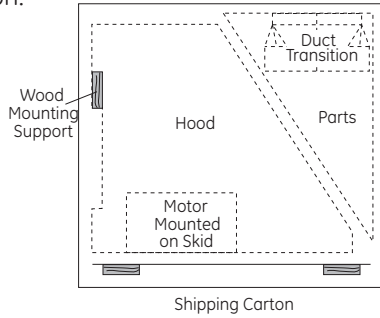
## REMOVE THE PACKAGING

- Remove packages from the "V" shaped cardboard section. Remove shipping pads.
- Lift the hood out of the box.

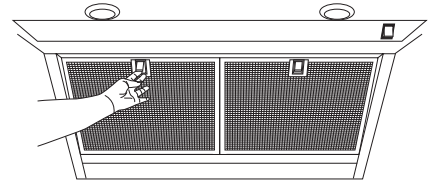
## IMPORTANT:

Lift the hood by grasping the outside edges of the exhaust opening on the top.

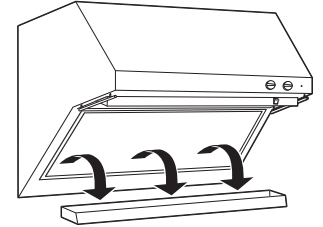
- The vent hood motor is shipped secured to the skid with 4 screws. Locate and remove 2 screws on each side of the motor. Discard the shipping skid and screws.



- Grease filters must be removed. Grasp the latch, pull the filter up and lift out.



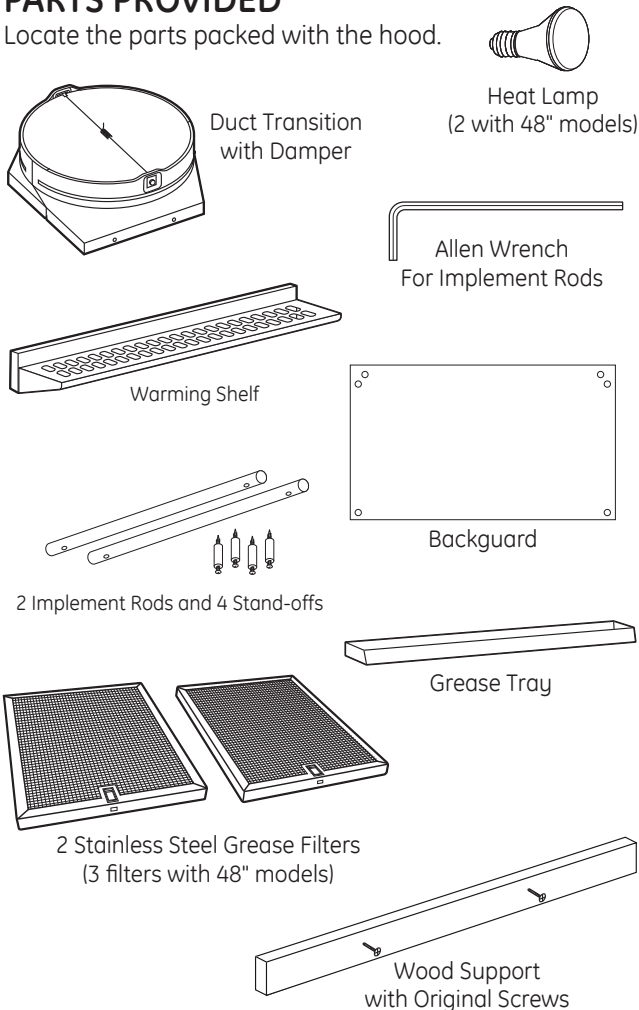
- Lift to remove the grease trays. Set grease filters and trays aside for later installation. DO NOT DISCARD.



- From the inside of the hood, loosen (do not remove) the 2 screws holding the wood mounting support to the back of the hood. The screws should be backed out of the wood to 1/4". Remove the set aside the mounting support with screws for later installation. DO NOT DISCARD.
- Remove tape and packing material from the hood and all supplied parts.

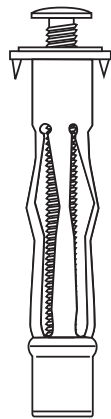
## PARTS PROVIDED

Locate the parts packed with the hood.



## HARDWARE PACKAGE

Locate and check contents. Screws shown actual size.



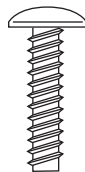
6 (3/16") hollow wall anchors with screws, use 2 to secure hood to the wall at the bottom. Use 4 to secure backguard and shelf.

4 screws to secure the wood support to the wall  
POZIDRIV 3

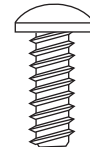
2 flat washers for wall anchors



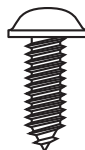
4 Phillips head screws to secure the transition to the hood outlet on the top



2 Phillips head machine screws to secure shelf to bottom of hood.



1 hex head screw and lock washer, to secure the blower



10 Phillips head screws: Use 6 to secure hood to the wood support: (2 are secured to wood support) Use 2 to secure 30" and 36" backguards to wall. Use 4 to secure a 48" backguard.



2 shoulder screws to secure shelf to bottom of hood.

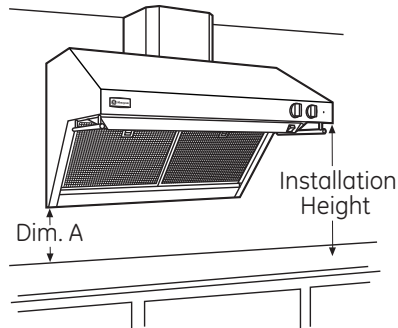
# Installation Instructions

## STEP 1 DETERMINE HOOD, DUCTWORK AND WIRING LOCATIONS

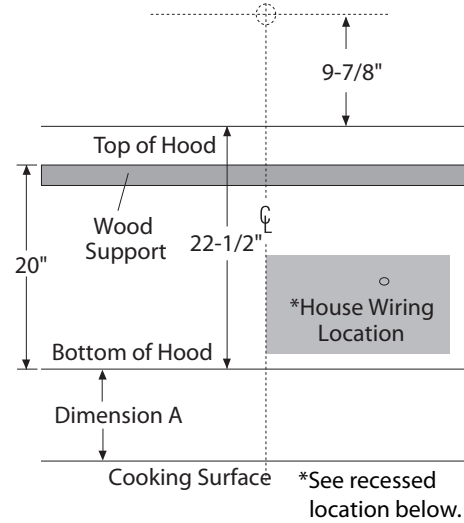
- Use a level to draw the cooktop centerline location. Draw the line to ceiling height.
- Measure desired distance from the bottom of the hood to the cooking surface.

**Note:** If you are installing the hood with duct covers, be sure to read "Using Duct Cover Accessories" page 7. Exact installation height may be determined by use of one or more duct covers.

- Determine bottom of hood location (Dimension A) by subtracting 12-1/2" from the desired installation height.
- Use a level to draw a straight horizontal pencil line indicating the bottom of the hood.



- From the line indicating the bottom of the hood, measure 20" up and draw another line for the location of the wood support. See illustration.



### FOR VERTICAL (Straight Up) DUCTING:

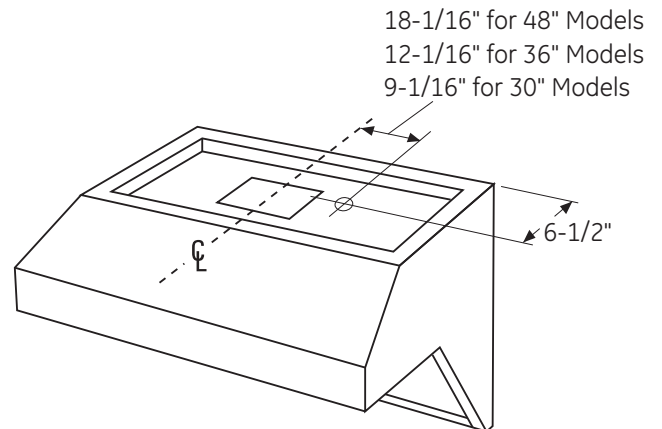
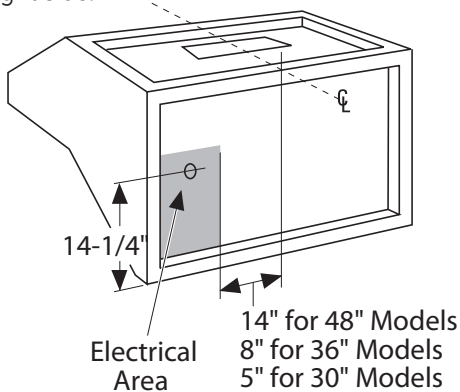
- Use a level to draw a centerline from the bottom of the hood to ceiling or soffit.
- If venting out the ceiling, extend the centerline forward on the ceiling or soffit.
- Locate the centerline of a 10-1/2" hole on the ceiling or soffit by measuring 6" from the wall.

### FOR DUCTING THROUGH REAR WALL:

- Measure 9-7/8" above the marked line for the top of the hood. At the centerline, mark location for a 10-1/2" diameter hole.

### House Wiring Location:

- The junction box is fastened to the back of the hood on the right side.



- The recessed back side of the hood provides a large area for the house wiring to exit the wall and be routed to the rear knockout and junction box.
- The location for the house wiring depends on the installation height of the hood and the width of the hood.
- Remove junction box cover and knockout. Install strain relief.

### Alternate Knockout Locations

If the installation requires, the junction box can be relocated from the back to the top of the hood. Remove 3 screws, align box to top knockout and secure with original screws.

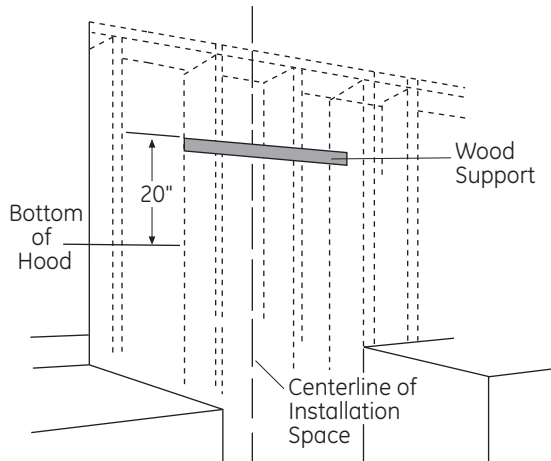
- Remove junction box cover and knockout. Install strain relief.

# Installation Instructions

## STEP 2A INSTALL HOOD ONTO WALL

SKIP THIS STEP IF INSTALLING BENEATH A SOFFIT OR CABINET, GO TO STEP 2B.

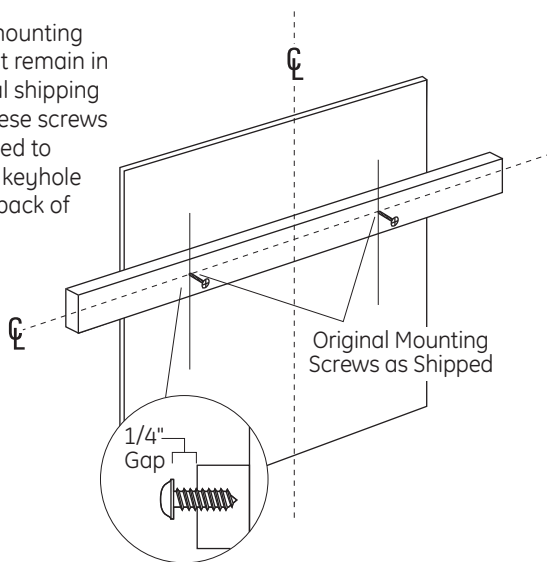
- Locate at least 2 vertical studs at the wood support.
- Center the supplied wood support, left to right and below the 20" marked line.



- Secure the wood support to 2 or more vertical studs, using at least 2 of the 4 supplied long screws.

**IMPORTANT:** Screws must penetrate at least 1-1/2" into vertical studs. Countersink screws into support.

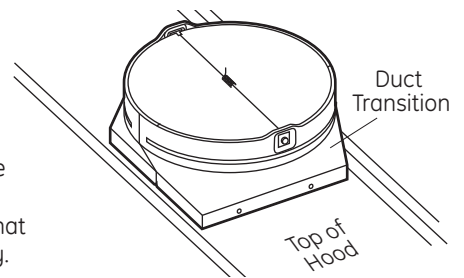
**Note:** The mounting screws must remain in their original shipping location. These screws are positioned to engage the keyhole slots in the back of the hood.



- Adjust depth of original mounting screws in the wood support until they protrude 1/4" forward. This 1/4" gap will provide clearance to hang the hood.

**IMPORTANT:** Framing must be capable of supporting up to 150 lbs.

### Install Transition Onto Top of Hood



**IMPORTANT:** Remove shipping tape from damper and check that damper moves freely.

- Place the duct transition piece over the hood exhaust and secure with 4 screws provided.
- Use duct tape to seal the connection. Check to be sure the damper moves freely.

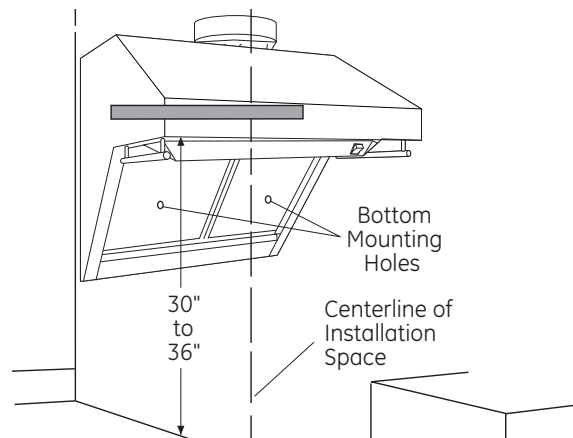
### Hang Hood On Wood Support

- Lift the hood and hold close to the installation location. Route house wiring through the knockout and into the junction box.
- Place the hood over the wood support. Be sure the mounting screws engage the keyhole slots in the back of the hood. Tighten the screws.

**WARNING:** Continue to provide additional support while the hood is mounted with only these 2 screws. These screws will not support the weight of the hood. The hood could fall resulting in damage or personal injury.

**AVERTISSEMENT—** Continuez à fournir un soutien additionnel pendant le montage de la hotte avec ces deux vis seulement. Ces deux vis ne soutiendront pas le poids de la hotte. La hotte peut tomber, occasionnant des blessures corporelles ou des dommages matériels.

- Check to be sure the hood is level and centered.



### Test Duct Cover Fit

- Place duct cover(s) over the top of the hood to check for gaps. Adjust the hood up or down if necessary.

### Install Bottom Mounting Screws

- Drill 1/8" pilot holes into the two lower mounting holes. Enlarge the holes if they did not enter studs to 3/8". Insert anchors for wall fasteners into bottom holes. Remove anchor screws and add flat washers provided. Drive screws into anchors and tighten.
- Install 4 additional screws through the back of the hood and into the wood support.

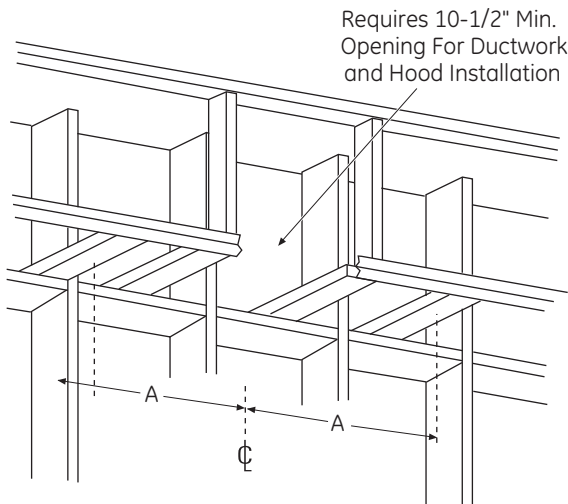
# Installation Instructions

## STEP 2B Alternate Mounting Method INSTALL HOOD TO SOFFIT OR BENEATH CABINETS

### SKIP THIS STEP IF USING WALL MOUNTING METHOD

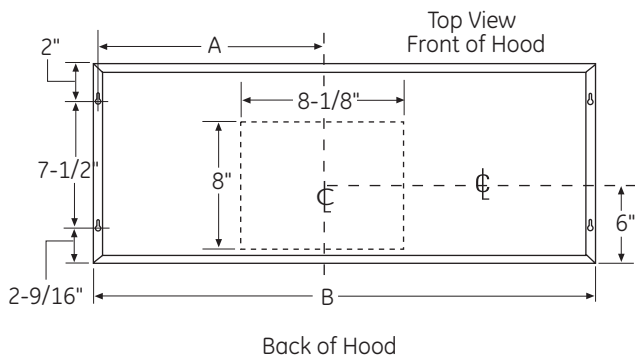
When necessary, the hood may be installed so that it is supported by the soffit.

- The soffit should be constructed with 2 x 4's.
- Determine the installation location on the wall.
- Continue the centerline forward on the bottom of the cabinet or soffit.
- The opening above the hood should allow for the 10" round duct and clearance to slide the hood back against the wall.



- The 2 x 4 studs must be located as shown in the chart, Dim. A. to accept mounting screws.

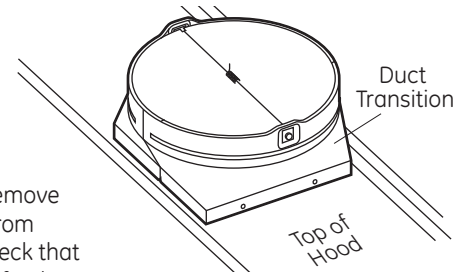
	"A" Centerline to Stud and Keyhole Slots	"B" Hood Width At the Top
ZV48R	23-9/16"	47-15/16"
ZV48R	17-9/16"	35-15/16"
ZV36R	14-9/16"	29-15/16"



- Drill 1/8" pilot holes into the studs at the locations shown in the top view illustration.

**IMPORTANT: Soffit framing must be capable of supporting up to 150 lbs.**

### Install Transition Onto Top of Hood

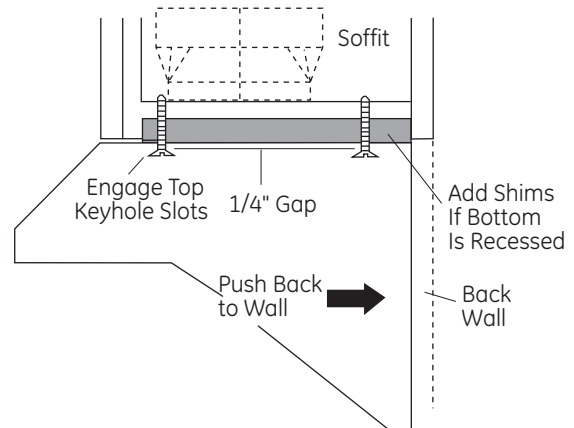


**IMPORTANT:** Remove shipping tape from damper and check that damper moves freely.

- Place the transition piece over the hood exhaust and secure with 4 screws provided.
- Use duct tape to seal the connection. Check to be sure the damper moves freely.

### Mount Hood onto Soffit or Cabinet

**Note:** If mounting to the underside of a cabinet with a recessed bottom, install shims to fill the gap.



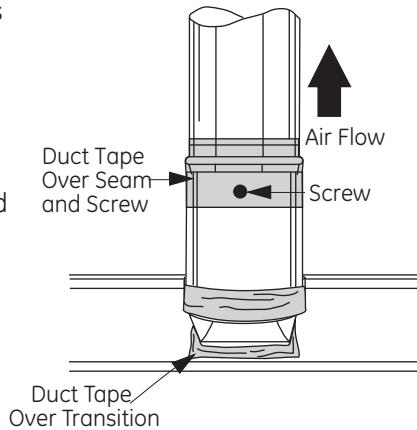
- Drive mounting screws into the studs until they protrude 1/4". The 1/4" gap will provide clearance to engage the keyhole slots in the top of the hood.
- Lift hood to installation position. Locate house wiring and route through the knockout (from the back or top of the hood).
- Lift hood onto mounting screws. Slide back against the rear wall.
- Tighten mounting screws.

**IMPORTANT: For additional support and to minimize vibration during operation, the hood must be secured to the back wall. Use wall anchors to fasten bottom back of hood to the wall.**

# Installation Instructions

## STEP 3 CONNECT DUCTWORK

- Install ductwork, making connections in direction of airflow as illustrated.
- Secure joints in ductwork with sheetmetal screws.
- Wrap all duct joints with duct tape for an airtight seal.
- Use duct tape to seal the flange connection. Reach inside the hood and push the damper up to be sure it moves freely.



## STEP 5 INSTALL DUCT COVERS

**Note:** For easier handling, remove cardboard insert after film is peeled off.

Remove protective film from duct covers. If more than one duct cover is used, secure each piece together with screws provided.

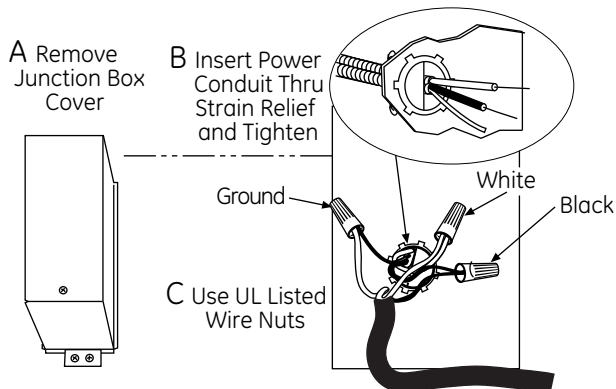
- Place the duct cover(s) on top of the hood.
- From inside the hood, secure the duct cover to the top with the small Phillips head screws supplied with the covers.

## STEP 4 CONNECT ELECTRICAL

Verify that power is turned off at the source.

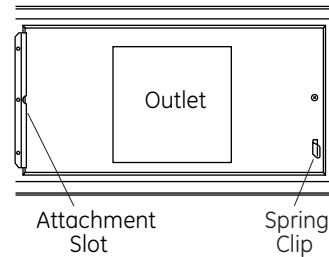
**WARNING:** If house wiring is not 2-wire with a ground wire, a ground must be provided by the installer. When house wiring is aluminum, be sure to use U.L. approved anti-oxidant compound and aluminum-to-copper connectors.

**AVERTISSEMENT—** Si le câblage de la maison n'est pas du type à deux fils avec un fil de terre, l'installateur doit fournir un circuit de terre. Quand les fils de la maison sont en aluminium, il prendre soin d'utiliser de la pâte antioxydation approuvée par UL et des connecteurs pour l'aluminium-cuivre.

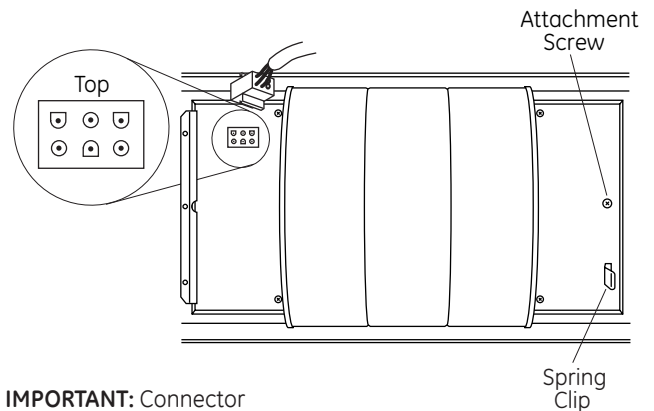


- Use wire nuts to connect incoming ground to green, white to white and black to black.
- Push wires into junction box and replace cover. Be sure wires are not pinched.

## STEP 6 INSTALL MOTOR



- From the inside of the hood, slip motor into the attachment slot on the left.
- Rotate motor upwards until it snaps into the spring clip on the right.
- Secure the motor to the hood with the machine screw and lock washer. (Screw is marked with red or blue paint.)
- Plug connector into the motor.



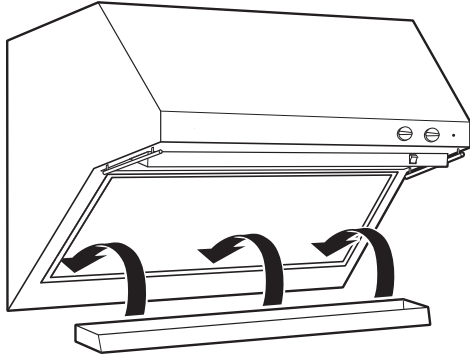
**IMPORTANT:** Connector ends are designed to mate only one way. Match flat and round connectors as shown.



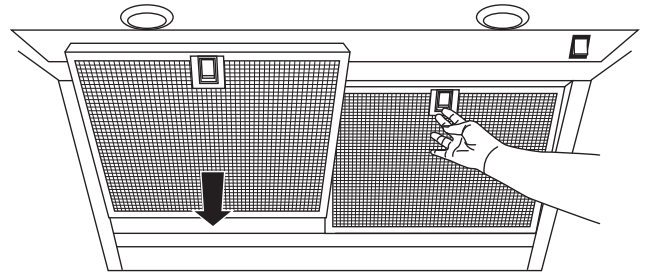
# Installation Instructions

## STEP 7 INSTALL FILTERS

- Drop grease tray into the hood. The rear tabs should engage the slots in the hood track.



- Insert the grease filter into the opening and drop into the bottom. Raise filter to the top and lock into place.

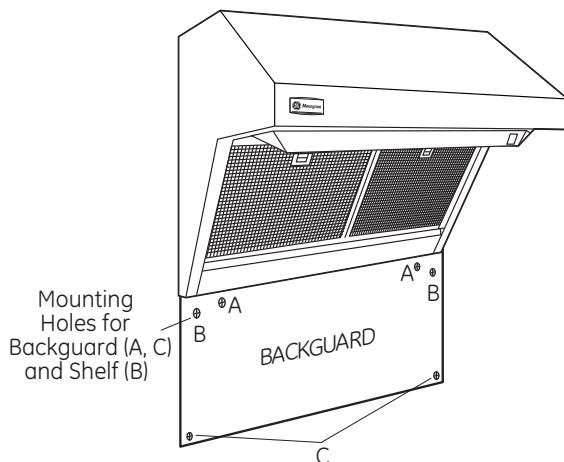


- To remove the filters, grasp the handle, push the filter up and lift out.

## STEP 8 INSTALL BACKGROUND AND SHELF

### INSTALL BACKGUARD:

- Remove packaging.
- Place backguard against the bottom of the hood to use as a template. Mark upper screw locations "A" and "B".
- Remove backguard.
- Drill four 1/8" pilot holes at screw locations "A" and "B".
- If drill did not enter studs, enlarge the holes to 3/8".
- Insert the wall anchors into the enlarged holes. Remove screws from the wall anchors.
- Align and secure the backguard to the wall using 2 wall anchor screws or wood screws in locations "A".
- For 30" and 36" models, install 2 screws through hole locations "C" at the bottom of the backguard. For 48" models, install 4 screws.

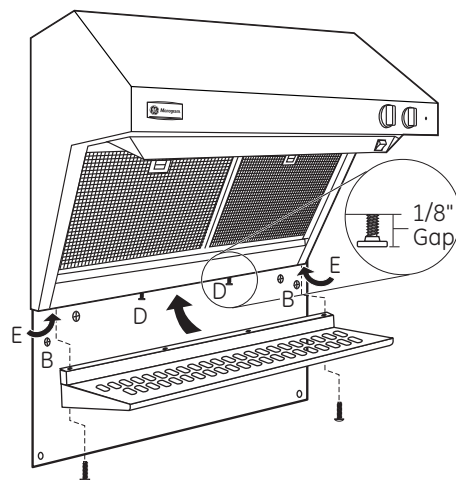


- If installing the backguard alone, without the shelf, drive screws in all locations shown.

This hood can be installed with the warming shelf and backguard together or with the warming shelf or backguard alone.

### INSTALL SHELF OVER BACKGUARD:

- Install two shoulder screws into holes "D" in the bottom of hood flange leaving 1/8" gap.
- Remove shelf packaging and protective film.
- Engage shoulder screws into the keyhole slots in the top of the shelf. Slide shelf towards the left to lock into place.
- Install two 3/4" long machine screws through the bottom of the shelf into the bottom hood flange, location "E".
- Install anchor screws through the shelf and into the wall holes "B".
- Remove all protective film.

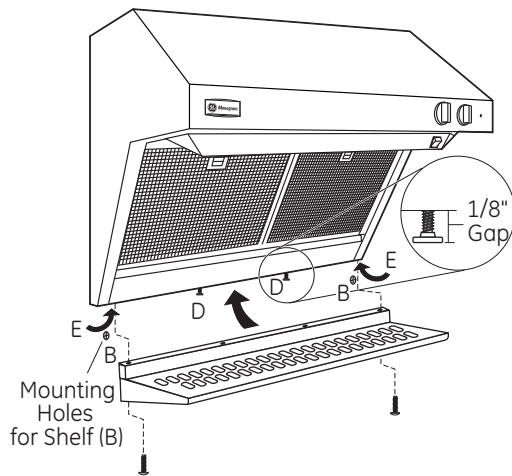




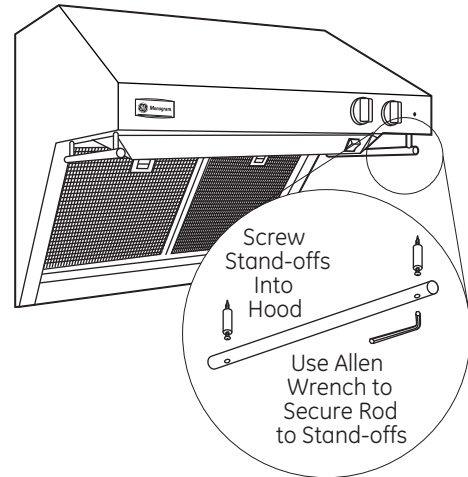
# Installation Instructions

## STEP 9 INSTALL SHELF "ONLY"

- Remove shelf packaging and protective film.
- If installing the shelf alone, without the backguard, place shelf against the bottom of the hood and mark the screw hole locations "B" on the wall.
- Drill two 1/8" pilot holes.
- If the drill did not enter the studs, enlarge holes to 3/8".
- Insert the wall anchors into the enlarged holes. Remove the screws from the wall anchors.
- Install 2 shoulder screws into holes "D" in the bottom of the hood flange leaving 1/8" gap.
- Engage shoulder screws into the key hole slots in the top of the shelf. Slide the shelf towards the left to lock into place.
- Install two 3/4" long machine screws through the bottom of the shelf into the bottom hood flange location "E".



## STEP 10 INSTALL IMPLEMENT RODS



- Use a flat blade screwdriver to install the stand-offs into the bottom of the hood.
- Align the implement rod to the stand-offs with the screw hole towards the inside of the hood. Secure the rod to the stand-offs with the supplied Allen wrench.
- Follow the same procedure on the opposite side.

## FINALIZE INSTALLATION

- Install the supplied infrared bulb(s).
- See the Owner's Manual for instructions to test operation.

**Note:** While performing installations described in this book, safety glasses or goggles should be worn.

*For Monogram® local service in your area, call 1.800.444.1845.*

**Note:** Product improvement is a continuing endeavor at General Electric. Therefore, materials, appearance and specifications are subject to change without notice.

49-80152-7

02-13 GE  
Printed in Mexico



**Monogram.®**

GE Consumer & Industrial  
GE Appliances  
General Electric Company  
Louisville, KY 40225  
GEAppliances.com