



# INSTALLATION INSTRUCTIONS

**with Design Guide**  
**Flush Inset Installation for Built-In Refrigerators**

Pour obtenir une version française de ce manuel d'instructions,  
visitez notre site [monogram.com](http://monogram.com).

Para consultar una versión en español de este manual de instrucciones,  
visite nuestro sitio de internet [monogram.com](http://monogram.com).

# Safety Information

## BEFORE YOU BEGIN

Read these instructions completely and carefully.

- **IMPORTANT** – Save these instructions for local inspector's use. Observe all governing codes and ordinances.
- **Note to Installer** – Be sure to leave these instructions with the Consumer.
- **Note to Consumer** – Keep these instructions with your Owner's Manual for future reference.

If you received a damaged unit, you should immediately contact your dealer or builder.

**Skill Level** – Installation of this unit requires basic mechanical, carpentry and plumbing skills. Proper installation is the responsibility of the installer. Product failure due to improper installation is not covered under the Monogram Warranty. See the Owner's Manual for warranty information.

### **⚠ WARNING** **Electrical Shock Hazard.**

Plug into a grounded 3-prong outlet.

Do not remove the ground prong.

Do not use an adapter.

Immediately discontinue use of a damaged supply cord.

If the supply cord is damaged it must be replaced by a qualified service professional with an authorized service part from the manufacturer.

Do not use an extension cord with this appliance.

Failure to follow these instructions can result in death, fire, or electrical shock.

Follow the instructions in the section Grounding the unit.

This appliance must be installed with a means in the fixed house wiring or circuit breaker for disconnecting the appliance from the electrical supply after installation.

### **⚠ WARNING** **Tip Over Hazard.**

These appliances are top heavy, especially with any doors open, and must be secured to prevent tipping forward which could result in death or serious injury. Read and follow the entire installation instructions for securing the appliance with the anti-tip system.

### **⚠ WARNING** **Fire or Explosion Hazard.**

Keep flammable materials and vapors away from appliance. Failure to do so can result in fire, explosion, or death.

**⚠ WARNING** To reduce the risk associated with choking, do not allow children under 3 years of age to have access to small parts during the installation of this product.

### **⚠ CAUTION** **Lifting Hazard**

This unit is very heavy. To reduce the risk of person injury during maneuvering and installing this appliance, 3 people are required for proper installation.

**⚠ CAUTION** Keep fingers out of the "pinch point" areas; clearances between the doors and between the doors and cabinet are necessarily small. Be careful closing doors when children are in the area.

For Monogram local service in your area, visit [monogram.com](http://monogram.com)

For Monogram service in Canada, visit [monogram.ca](http://monogram.ca)

For Monogram Parts and Accessories, visit [monogram.com/use-and-care/parts](http://monogram.com/use-and-care/parts)

# Consignes de sécurité

## AVANT DE COMMENCER

Veillez lire toutes ces instructions attentivement.

- **IMPORTANT** — Conservez ces instructions à l'usage de l'inspecteur local. Observez tous les codes et décrets en vigueur.
- **Note à l'installateur** — Assurez-vous de laisser ces instructions au consommateur.
- **Note au consommateur** - Conservez ces instructions avec votre manuel d'utilisation pour consultation ultérieure.

Si vous avez reçu un appareil endommagé, veuillez communiquer immédiatement avec votre revendeur ou votre entrepreneur.

**Niveau de compétence** – L'installation de cet appareil exige des compétences de base en mécanique, menuiserie et plomberie. La responsabilité d'une installation adéquate relève de l'installateur. La garantie Monogram ne couvre pas les défauts du produit causés par une installation inadéquate. Consultez le manuel d'utilisation pour des renseignements sur la garantie.

### **⚠ AVERTISSEMENT**



#### **Risque d'électrocution.**

Branchez l'appareil dans une prise à 3 broches mise à la terre. N'enlevez pas la broche de mise à la terre. N'utilisez pas un adaptateur.

Cessez immédiatement l'utilisation d'un cordon électrique endommagé. Si le cordon électrique est endommagé, son remplacement doit être exécuté par un technicien en réparation qualifié au moyen d'un cordon de rechange autorisé par le fabricant.

N'utilisez pas un cordon de rallonge avec cet électroménager.

Le non-respect de ces instructions peut occasionner un décès, un incendie ou un choc électrique.

Suivez les instructions de la section Mise à la terre de l'appareil.

Le circuit électrique auquel cet électroménager sera raccordé doit comporter un disjoncteur ou un autre dispositif permettant de couper l'alimentation électrique à l'appareil après l'installation.

### **⚠ AVERTISSEMENT**



#### **Risque de basculement.**

Ces électroménagers sont lourds du haut, notamment lorsqu'une porte est ouverte, de sorte qu'ils doivent être fixés pour prévenir un basculement vers l'avant susceptible d'occasionner des blessures graves ou la mort. Lisez et observez la totalité des instructions d'installation pour connaître la façon de fixer l'électroménager sur le dispositif antibasculement.

### **⚠ AVERTISSEMENT**



#### **Risque d'incendie ou d'explosion.**

Gardez les matériaux et les vapeurs inflammables à l'écart de l'appareil. L'omission de prendre cette précaution peut entraîner un incendie, une explosion ou la mort.

### **⚠ AVERTISSEMENT**

Pour réduire le risque d'étouffement pendant l'installation de ce produit, ne pas laisser les petites pièces à la portée des enfants âgés de moins de 3 ans.

### **⚠ AVERTISSEMENT**

#### **Risque lié à la manipulation d'un objet lourd**

Cet appareil est très lourd. Afin de réduire le risque de blessure pendant la manipulation et l'installation de cet électroménager, la participation de 3 personnes est nécessaire à l'exécution d'une installation correcte.

### **⚠ AVERTISSEMENT**

Gardez vos doigts éloignés des points de pincement. Les espaces entre les portes et ceux entre les portes et l'armoire sont particulièrement restreints. Soyez prudent lorsque vous fermez les portes en présence d'enfants.

Pour joindre le service Monogram de votre région, visitez [monogram.com](http://monogram.com)

Pour le service Monogram au Canada, visitez [monogram.ca](http://monogram.ca)

Pour le service des Pièces et accessoires Monogram, visitez [monogram.com/use-and-care/parts](http://monogram.com/use-and-care/parts).

# Información sobre Seguridad

## ANTES DE COMENZAR

Lea estas instrucciones en su totalidad y atentamente.

- **IMPORTANTE** – Conserve estas instrucciones para uso del inspector local. Cumpla con todos los códigos y ordenanzas gubernamentales.
- **Nota para el Instalador** – Asegúrese de entregarle estas instrucciones al Comprador.
- **Nota para el Consumidor** – Guarde estas instrucciones con su Manual del Propietario para referencia futura.

Si la unidad que recibió está dañada, se deberá comunicar de inmediato con su vendedor o fabricante.

**Nivel de habilidad** – La instalación de esta unidad requiere un nivel básico de habilidades mecánicas, de carpintería y plomería. La correcta instalación del producto es responsabilidad del instalador. Si se producen fallas en el producto debido a una instalación inadecuada, la Garantía de Monogram no cubrirá las mismas. Para obtener información sobre la garantía, consulte el Manual del Propietario.

### **⚠ ADVERTENCIA** **Riesgo de Descarga Eléctrica**

Enchufe en un tomacorriente con conexión a tierra de 3 cables.

No elimine el cable de conexión a tierra.

No use un adaptador.

Inmediatamente interrumpa el uso de un cable de suministro de corriente dañado. Si el cable de corriente se encuentra dañado, su reemplazo deberá ser realizado por un profesional calificado del servicio técnico, utilizando una pieza del servicio técnico autorizada por el fabricante.

No use prolongadores con este electrodoméstico.

Si no se siguen estas instrucciones, se podrá producir la muerte, incendios o descargas eléctricas.

Siga las instrucciones que figuran en la sección de Conexión de Tierra de la unidad.

Este electrodoméstico deberá ser instalado por algún medio en el cableado fijo del hogar o en un disyuntor para desconectar el electrodoméstico del suministro eléctrico luego de la instalación.

### **⚠ ADVERTENCIA** **Riesgo de Caídas**

Estos electrodomésticos son inestables, especialmente cuando una puerta se encuentre abierta, y deben estar asegurados a fin de evitar caídas hacia adelante que podrían resultar en la muerte o en lesiones graves. Lea y siga las instrucciones de instalación en su totalidad para asegurar el electrodoméstico con el sistema anti volcaduras.

### **⚠ ADVERTENCIA** **Peligro de Incendio o Explosión**

Mantenga cualquier material y vapores inflamables alejados del electrodoméstico. Si no se cumple con esto, se podrá producir una explosión, un incendio o la muerte.

**⚠ ADVERTENCIA** A fin de reducir el riesgo asociado con descargas, no permita que los niños menores de 3 años de edad tengan acceso a las partes pequeñas durante la instalación de este producto.

### **⚠ PRECAUCIÓN** **Riesgo al levantar la puerta**

Este refrigerador es muy pesado. A fin de reducir el riesgo de lesiones personales durante la maniobra e instalación de este refrigerador, se requiere contar con 3 personas para una correcta instalación del modelo de 36" de ancho y con 4 personas para una correcta instalación del modelo de 42" o 48".

**⚠ PRECAUCIÓN** Mantenga los dedos fuera de los espacios de "riesgo de lastimaduras"; los espacios entre las puertas y entre las puertas y el gabinete son necesariamente pequeños. Tenga el cuidado de cerrar las puertas cuando se encuentren niños en el área.

Para acceder al servicio local de Monogram en su área, visite [monogram.com](http://monogram.com)

Para acceder al servicio de Monogram en Canadá, visite [monogram.ca](http://monogram.ca)

Para acceder a Piezas y Accesorios de Monogram, visite [monogram.com/use-and-care/parts](http://monogram.com/use-and-care/parts)

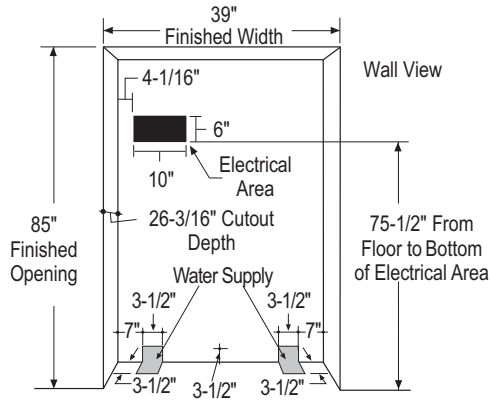
# Contents

<b>Safety</b>	2	Step 13. Start Icemaker	39
		Step 14. Install Toekick	39
<b>French Door Bottom Freezer Refrigerator</b>	6	<b>All-Refrigerator and All-Freezer</b>	40
<b>Design Guide</b>		<b>Design Guide</b>	
The Installation Space	7	The Installation Space	41
Dimensions and Clearances	7	Dimensions and Clearances	41
Custom Handle Design Guide	7	Installation ZKBFN720NII Unification Kit	42
1/2" (1.27 cm) Overlay Panel Dimensions	8	Custom Handle Design Guide	42
3/4" (1.9 cm) Decorative Panel Dimensions	9	1/2" (1.27 cm) Overlay Panel Dimensions	43
Customization Basics	9	3/4" (1.9 cm) Decorative Panel Dimensions	44
Refrigerator Location	9	3/4" (1.9 cm) Raised Door Panel Routing	45
3/4" (1.9 cm) Raised Fresh Food Door Panel Routing	10	3/4" (1.9 cm) Raised Grille Panel Routing	46
3/4" (1.9 cm) Raised Freezer Drawer Panel Routing	11	3/4" (1.9 cm) Raised Door Panel Routing	47
3/4" (1.9 cm) Raised Grille Panel Routing	12	for Unified Installation	47
Side Panels	13	Side Panels	48
Side Cleats	13	ZKBFN720NII Unification Kit	48
<b>Installation Instructions</b>		Unified Door Panel Dimensions	48
Tools, Hardware, Materials, Flooring	14	Side Cleats	49
Grounding the Unit	14	Refrigerator Location	49
Step 1. Remove Packaging	15	<b>Installation Instructions</b>	
Step 2. Install Water Line	15	Tools, Hardware, Materials, Flooring	50
Step 2A. Water Line with Reverse Osmosis System or		Grounding the Unit	50
other Household Filtration System	15	Step 1. Remove Packaging	51
Step 3. Install Side Panels	16	Step 2. Install Water Line	51
Step 4. Install Case Trim	16	Step 3. Install Side Panels	51
Step 5. Anti-Tip Procedures	16	Step 4. Install Case Trim	52
Step 6. Level Refrigerator	18	Step 5. Anti-Tip Procedures	52
Step 7. Secure Unit to Wall	18	Step 6. Level Unit	54
Step 8. Alternate Anti-Tip Procedure	19	Step 7. Secure Unit to Wall	55
Step 9. Adjust Door Swing	19	Step 8. Adjust Door Swing	55
Step 10. Install Grille Panel	20	Step 9. Install Grille Panel	55
Step 11. Install Assembled Panels	20	Step 10. Install Overlay Panels	56
Step 12. Connect Water Supply	21	Step 11. Connect Water Supply (Freezer Models Only)	57
Step 13. Connect Power	21	Step 12. Connect Power	57
Step 14. Start Icemaker	21	Step 13. Start Icemaker(Freezer Models Only)	57
Step 15. Install Toekick	22	Step 14. Install Toekick	58
Inspect Final Installation	22		
<b>Bottom Freezer Refrigerator</b>	23	<b>Side-by-Side Refrigerator</b>	59
<b>Design Guide</b>		<b>Design Guide</b>	
The Installation Space	24	The Installation Space	60
Dimensions and Clearances	24	Dimensions and Clearances	60
Custom Handle Design Guide	24	Customization Basics	61
1/2" (1.27 cm) Overlay Panel Dimensions	25	Custom Handle Design Guide	61
3/4" (1.9 cm) Decorative Panel Dimensions	26	Refrigerator Location	61
Customization Basics	26	Side Panels	61
Refrigerator Location	26	1/2" (1.27 cm) Overlay Panel Dimensions	62
Optional Accessory Kits	26	3/4" (1.9 cm) Raised Panel Dimensions	63
3/4" (1.9 cm) Raised Fresh Food Door Panel Routing	27	3/4" (1.9 cm) Raised Door Panel Routing	64
3/4" (1.9 cm) Raised Freezer Drawer Panel Routing	28	3/4" (1.9 cm) Raised Grille Panel Routing	65
3/4" (1.9 cm) Raised Grille Panel Routing	29	Dispenser Trim Fit Examples	66
Installation ZKBFN720NII Unification Kit	30	Side Cleats	66
ZKBFN720NII Unification Kit Dimensions	30		
Side Panels	30	<b>Installation Instructions</b>	
Side Cleats	30	Tools, Hardware, Materials, Flooring	67
Unified Door Panel Dimensions	30	Grounding the Unit	67
<b>Installation Instructions</b>		Step 1. Remove Packaging	68
Tools, Hardware, Materials, Flooring	31	Step 2. Move the Refrigerator into the House	68
Grounding the Unit	31	Step 3. Install Water Line	68
Step 1. Remove Packaging	32	Step 4. Installation with Household Water Filtration System	69
Step 2. Install Water Line	32	Step 5. Install Side Panels	69
Step 2A. Water Line with Reverse		Step 6. Install Case Trim	69
Osmosis System or other Household		Step 7. Anti-Tip Procedures	70
Filtration System	33	Step 8. Level Refrigerator	70
Step 3. Install Side Panels	33	Step 9. Adjust Door Swing	71
Step 4. Install Case Trim	33	Step 10. Install Grille Panel	71
Step 5. Anti-Tip Procedures	33	Step 11. Install Overlay Panels	72
Step 6. Level Refrigerator	36	Step 12. Connect Water Supply	73
Step 7. Alternate Anti-Tip Procedure	36	Step 13. Connect Power	74
Step 8. Adjust Door Swing	37	Step 14. Start Icemaker	74
Step 9. Install Grille Panel	37	Step 15. Install Toekick	75
Step 10. Install Door Panels and Custom Handles	38	Inspect Final Installation	75
Step 11. Connect Water Supply	38		
Step 12. Connect Power	39		

# **Instructions for French Door Bottom Freezer Refrigerator**

# Design Guide - Flush Inset Installation for French Door Bottom Freezer Refrigerator

## THE INSTALLATION SPACE



### Water And Electrical Locations

Electrical and water supply must be located as shown.

### The cutout depth must be 26-3/16" (66.52 cm)

The refrigerator will project forward, slightly beyond adjacent cabinetry, depending on your installation. Allow minimum 1/8" (0.32 cm) air gap between case back & wall.

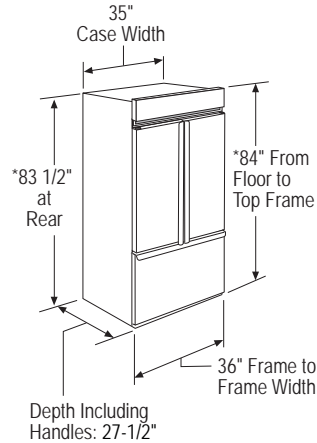
### Cutout depth beneath a soffit:

When installed beneath a soffit, the soffit cannot exceed the 24" (60.96 cm) installation depth shown. The top case trim overlaps the bottom of the soffit.

### Additional Specifications

- A 115 volt 60Hz., 15 or 20 amp power supply is required. An individual properly grounded branch circuit or circuit breaker is recommended. Install a properly grounded 3-prong electrical receptacle recessed into the back wall. Electrical must be located on rear wall as shown.
- Water line can enter the opening through the floor or back wall. Route SmartConnect™ kit or 1/4" O.D. copper tubing between the cold water line and the water connection location. The tubing should be long enough to extend to the front of the refrigerator. Installation of an easily accessible shut-off valve in the water line is required.

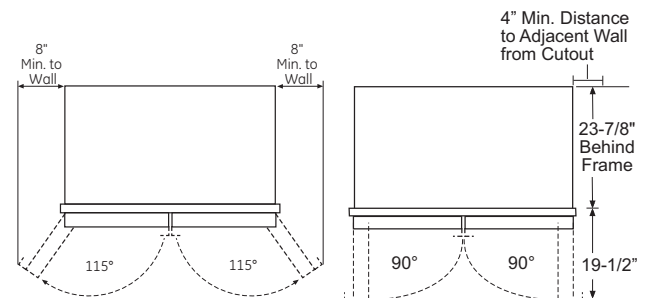
## DIMENSIONS AND CLEARANCES



\* Shipping height. The refrigerator can be adjusted to fit into a cutout that is 85" (215.9 cm) max. height. Use leveling legs and wheels for a maximum 1" (2.54 cm) height adjustment.

### Product Clearances

These refrigerators are equipped with a 3-position door stop. The factory set 115° door swing can be adjusted to 90° if clearance to adjacent cabinets or walls is restricted.



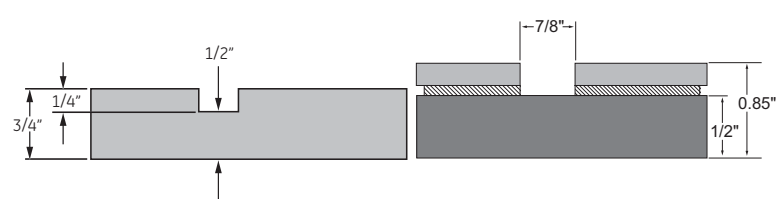
Do not use the 130° door swing option for flush installation.

For a 90° door swing, allow 4" (10.16 cm) min. clearance to adjacent wall from cutout. If the 90° door stop position is used, pan access is maintained, but pan removal is restricted.

## CUSTOM HANDLE DESIGN GUIDE

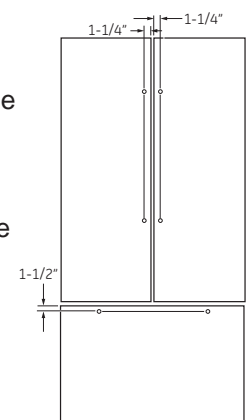
Custom handles must be used for Flush Inset Installation. For custom handle installation, counterbore holes in rear of decorative panels must ensure 1/2" (1.27 cm) material thickness remains for handle support.

**NOTE:** The counterbore must not exceed 1" (2.54 cm) in diameter.



Minimum distance on Fresh Food Doors from handle side edge to handle center should be 1-1/4" (3.18 cm) on each door as shown.

Minimum distance on Freezer Door from top edge to handle center on the freezer drawer should be 1-1/2" (3.81 cm) as shown.



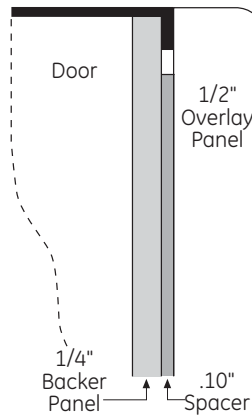
# Design Guide - Flush Inset Installation for French Door Bottom Freezer Refrigerator

## 1/2" (1.27 cm) OVERLAY PANEL DIMENSIONS

For a more custom appearance, overlay panels may be installed on trimmed models. The overlay panel must be secured to a 1/4" (.64 cm) thick backer panel which slides into the trim. A spacer panel 0.10" (0.25 cm) thick must be placed between the overlay and backer panel.

### Assemble the panels with glue and screws:

- Center the spacer panel on the backer panel, left to right and top to bottom. Secure the panels with glue.
- Refer to the following chart for locating the backer panel to the overlay panel. Secure the overlay panel to the backer panel with glue and screws. Screws must be countersunk into the backer panel.



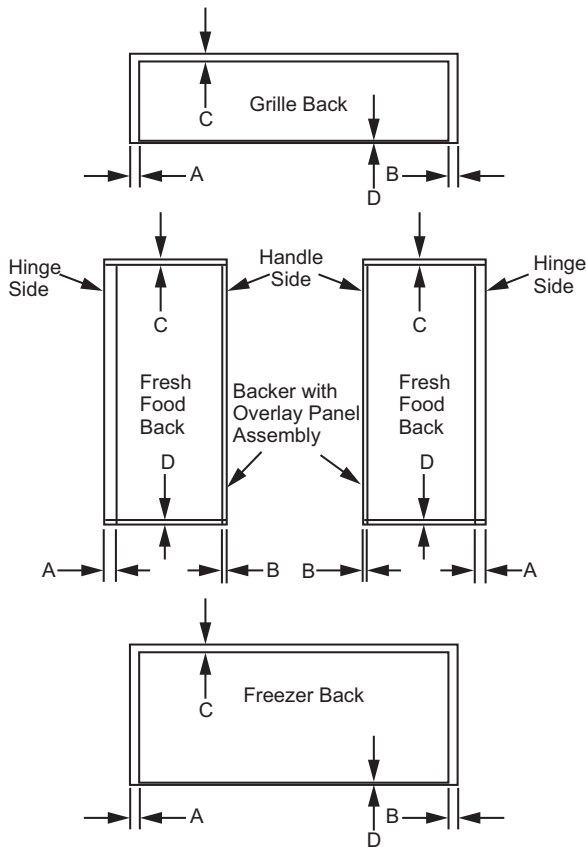
$$.250" + .10" + .50" = .850" \text{ Total Panel Thickness} \\ (0.635 \text{ cm} + 0.254 \text{ cm} + 1.27 \text{ cm} = 2.159)$$

**IMPORTANT NOTE:** Maximum total weight for the assembled panels:

- Fresh food door panels – 30 lbs. (14 kg)
- Freezer drawer panel – 28 lbs.(13 kg)
- Grille Panel – 11 lbs. (5 kg)

### Panel Locations

	A	B	C	D
Door Panels	2-1/16" (5.24 cm)	3/16" (0.47 cm)	3/16" (0.47 cm)	3/16" (0.47 cm)
Drawer Panel	2-1/16" (5.24 cm)	2-1/16" (5.24 cm)	1/4" (0.64 cm)	1/4" (0.63 cm)
Grille Panel	2-1/16" (5.24 cm)	2-1/16" (5.24 cm)	1-11/16" (4.28 cm)	1/4" (0.63 cm)



### Panel Dimensions

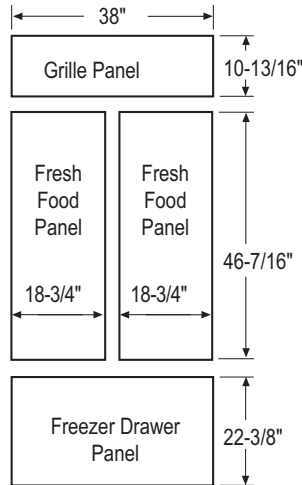
	Fresh Food	Freezer	Grille
1/4" (0.63 cm) Backer Panel	46-1/16" x 16-1/2" (116.99 cm x 41.91 cm)	21-7/8" x 33-7/8" (55.56 cm x 86.04 cm)	8-7/8" x 33-7/8" (22.54 cm x 86.04 cm)
.10" (0.25 cm) Spacer Panel	44-11/16" x 15" (113.51 cm x 38.10 cm)	20-1/2" x 32-1/2" (52.07 cm x 82.55 cm)	7-5/8" x 32-1/2" (19.37 cm x 82.55 cm)
1/2" (1.27 cm) Overlay Panel	46-7/16" x 18-3/4" (120.49 cm x 47.63 cm)	22-3/8" x 38" (56.83 cm x 96.52 cm)	10-13/16" x 38" (27.46 cm x 96.52 cm)



# Design Guide - Flush Inset Installation for French Door Bottom Freezer Refrigerator

## 3/4" (1.9 cm) DECORATIVE PANEL DIMENSIONS

For a more custom appearance, overlay panels may be installed to give a flush appearance with surrounding cabinets. The overlay panel must be 3/4" (1.9 cm) thick. Panel attaches to included brackets to provide mounting to the appliance door.



**NOTE:** We recommend that decorative panels have inside corners and edges rounded or beveled by cabinet maker to avoid sharp edges on the panels. Edges to be treated should include the top, bottom and hinge side edges.

**IMPORTANT NOTE:** Maximum total weight for the assembled panels:

- Fresh food door panels – 30 lbs. (14 kg)
- Freezer drawer panel – 28 lbs.(13 kg)
- Grille Panel – 11 lbs. (5 kg)

### ⚠ WARNING



#### Door Trim Pinch Point Hazard

Improper installation can lead to a finger pinch point hazard between the side door trim and the cabinets when operating the door, especially with children. To minimize this risk you must follow the installation instructions for cabinet dimensions, trim assembly, and door stop angle.

### ⚠ AVERTISSEMENT



#### Risque de pincement de doigts

Une installation incorrecte peut poser un risque de coincement de doigts entre la garniture de porte latérale et les armoires en actionnant la porte, en particulier pour les enfants. Pour réduire ce risque, vous devez suivre les instructions d'installation relatives aux dimensions d'armoire, au montage des garnitures et à l'angle de l'arrêt de porte.

### ⚠ ADVERTENCIA



#### Riesgo de Lastimadura con el Marco de la Puerta

Una instalación inadecuada podrá conducir a riesgos de pellizcos de dedos entre el marco lateral de la puerta y los gabinetes al utilizar la puerta, especialmente con los niños. A fin de minimizar este riesgo, usted deberá seguir las instrucciones de instalación para dimensiones de gabinetes, ensambles de marcos y ángulos de detención de puertas.

## CUSTOMIZATION BASICS:

### Framed Or Overlay Panels, Custom Handles and Accessory Kits

These refrigerators are designed to be customized with decorative panels. Field installed custom door and grille panels are required.

#### Side Panels

Side panels must be used whenever the sides of the refrigerator will be exposed.

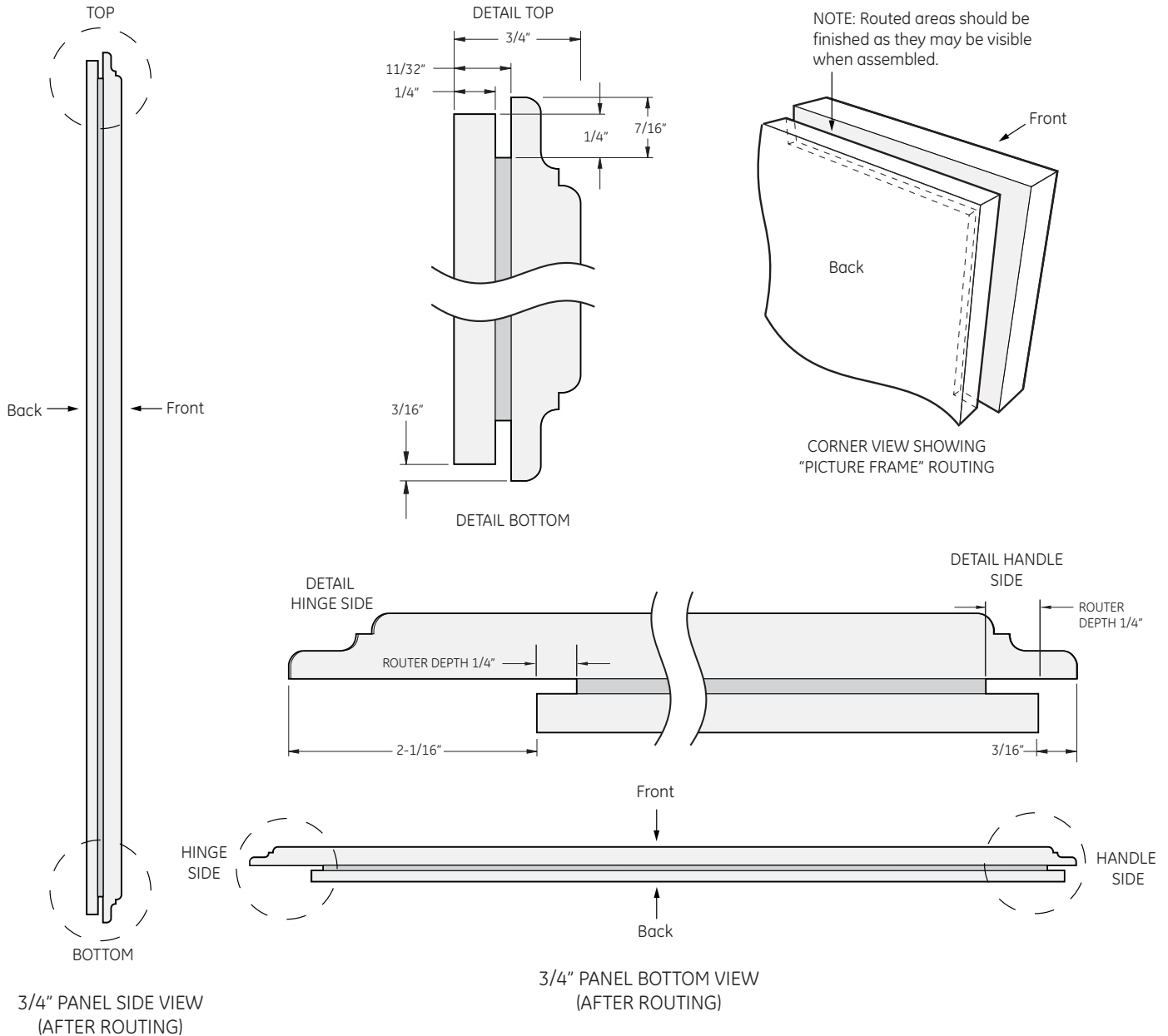
## REFRIGERATOR LOCATION

- Do not install the refrigerator where the temperature will go below 55°F (13°C). It will not run often enough to maintain proper temperatures.
- Do not install the refrigerator where temperatures will go above 100°F (37°C). It will not perform properly.
- Do not install the refrigerator in a location exposed to water (rain, etc.) or direct sunlight.
- Install it on a floor strong enough to support it fully loaded.

# Design Guide - Flush Inset Installation for French Door Bottom Freezer Refrigerator

## 3/4" (1.9 cm) RAISED FRESH FOOD DOOR PANEL ROUTING

For 3/4" (1.9 cm) raised door panels, routing is required. The router depth is 1/4" (0.63 cm) all the way around the panel back. Additional panel width reductions are required per the diagrams below. This will create a "picture frame" routing that will slide onto the attached door trim.

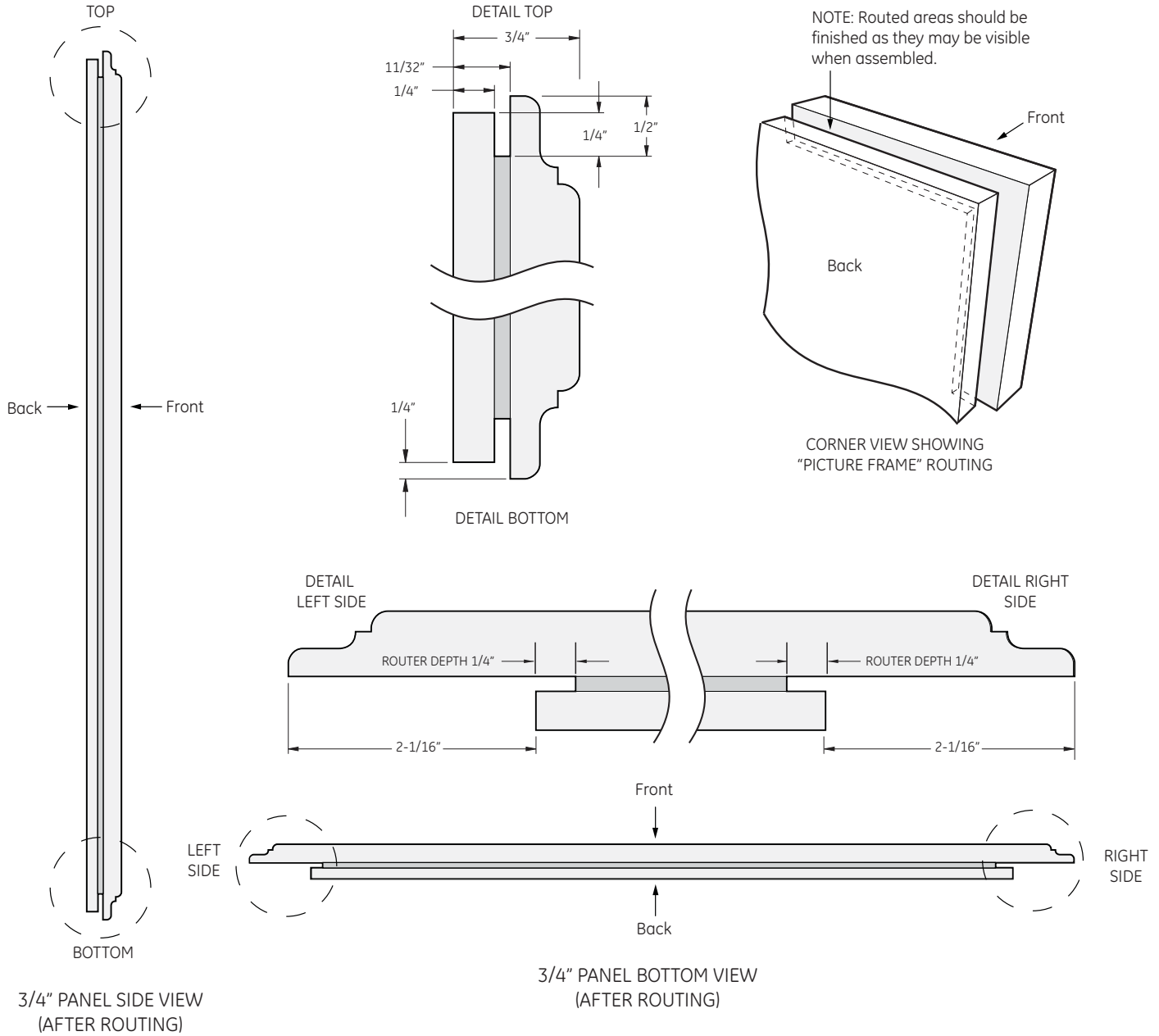


**NOTE:** For panels constructed with rails and stiles (5-panel), the minimum width is 3" (7.62 cm) for rails and 4" (10.16 cm) for stiles.

# Design Guide - Flush Inset Installation for French Door Bottom Freezer Refrigerator

## 3/4" (1.9 cm) RAISED FREEZER DRAWER PANEL ROUTING

For 3/4" (1.9 cm) raised door panel, routing is required. The router depth is 1/4" (0.63 cm) all the way around the panel back. Additional panel width reductions are required per the diagrams below. This will create a "picture frame" routing that will slide onto the attached door trim.

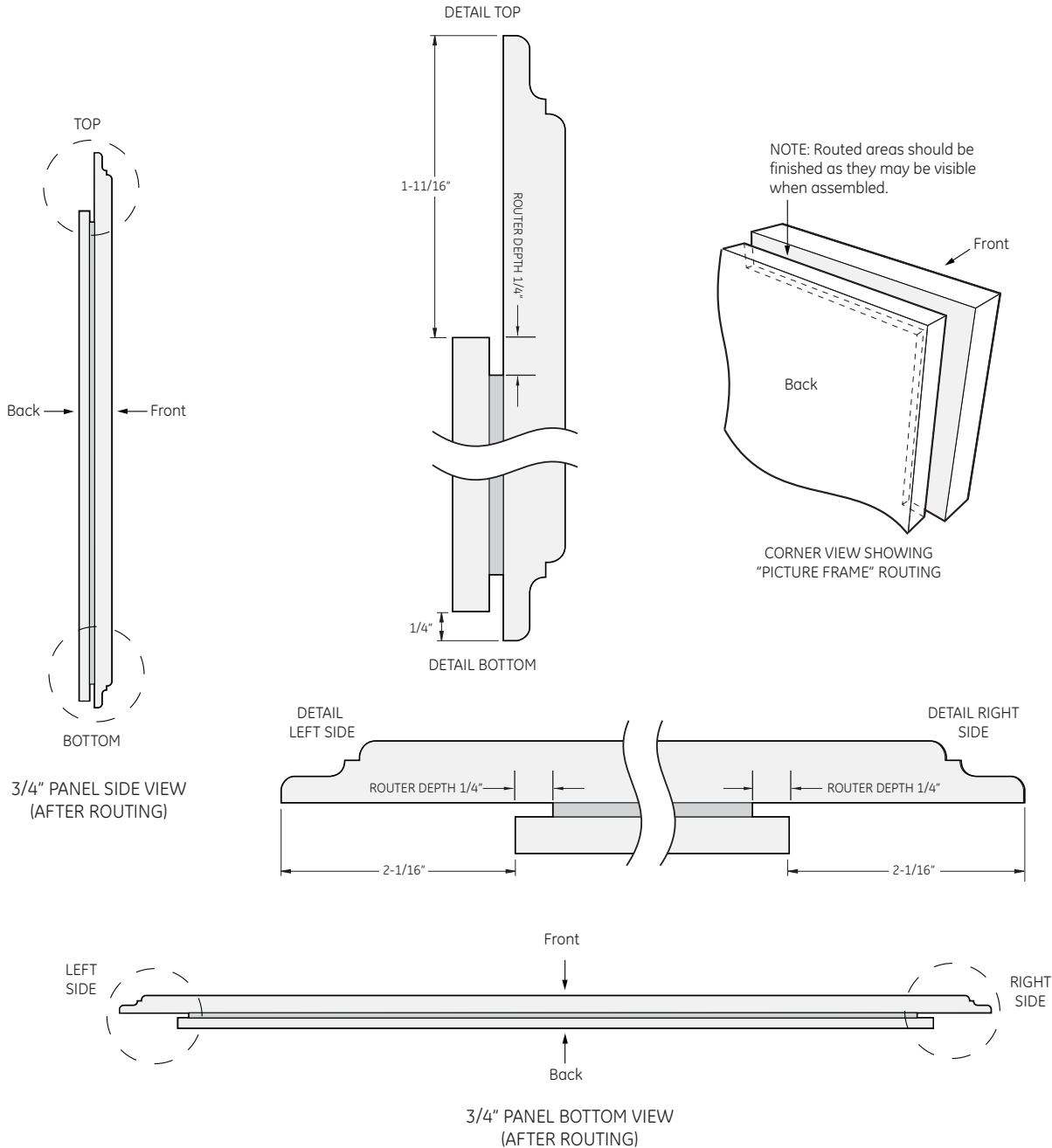


**NOTE:** For panels constructed with rails and stiles (5-panel), the minimum width is 3" (7.62 cm) for rails and 4" (10.16 cm) for stiles.

# Design Guide - Flush Inset Installation for French Door Bottom Freezer Refrigerator

## 3/4" (1.9 cm) RAISED GRILLE PANEL ROUTING

For 3/4" (1.9 cm) raised grille panel, routing is required. The router depth is 1/4" (0.63 cm) all the way around the panel back. Additional panel width reductions are required per the diagrams below. This will create a "picture frame" routing that will slide onto the attached grille trim.



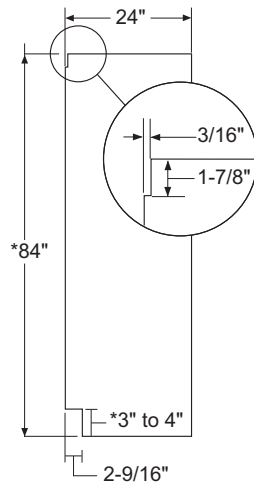
**NOTE:** For panels constructed with rails and stiles (5-panel), the minimum width is 3" (7.62 cm) for rails and 4" (10.16 cm) for stiles.

# Design Guide - Flush Inset Installation for French Door Bottom Freezer Refrigerator

## SIDE PANELS

Side panels must be used whenever the sides of the refrigerator will be exposed. The 1/4" (0.63 cm) side panels will slip into the side case trim. Secure the panels to the refrigerator with stick-on hook and loop fastener strips. Order the side panels from the cabinet manufacturer.

- Cut a notch in the top front corner as shown to allow clearance for corner keys in the front side trim.

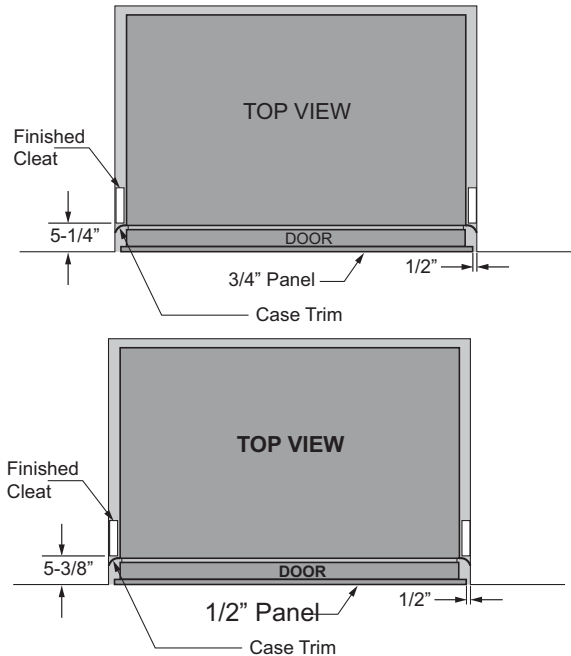


\* Depending on installation height.

## SIDE CLEATS

Wood cleats are required to be installed vertically down both sides of the cabinet opening to provide depth stop for the refrigerator when installed into the opening.

The cleat should be installed per the diagrams below based on the type of panel being used.



# Installation Instructions - Flush Inset Installation for French Door Bottom Freezer Refrigerator

## TOOLS REQUIRED

- Tinsnips to cut banding
- Bucket
- Appliance Hand Truck
- 7/16" open-end wrench
- Drill and appropriate bits
- Safety glasses
- Pliers
- Stepladder
- Level
- Tubing cutter
- #2 Phillips screwdriver
- 5/16", 7/16" socket
- 1-1/4" open end wrench
- 1/4" ratchet

## HARDWARE SUPPLIED WITH UNIT

- Water filter bypass plug
- Anti-Tip brackets
- 1/4" nut and ferrule

## MATERIALS REQUIRED

- 35" (88.9 cm) long 2x4 for Anti-Tip support
- 1/4" copper water line tubing or SmartConnect™ Refrigerator Tubing kits
- Water shut-off valve
- Custom panels for fresh food door, freezer drawer and grille panel
- Screws to secure refrigerator to cabinetry.
- Stick-on hook and loop fastener strips for 1/4" (0.63 cm) side panels
- ZKFN Kit required for all flush inset installation

## FLOORING

For proper installation, this refrigerator must be placed on a level surface of hard material that is at the same height as the rest of the flooring. This surface should be strong enough to support a fully loaded refrigerator, or approximately 1,200 lbs. (544.31 cm).

**NOTE:** Protect the finish of the flooring. Cut a large section of the cardboard carton and place under the refrigerator where you are working.

## GROUNDING THE REFRIGERATOR

**⚠ WARNING**  **Electrical Shock Hazard.**

Failure to follow these instructions can result in death, fire, or electrical shock.

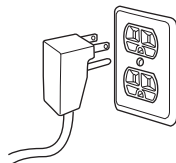
The power cord of this appliance is equipped with a 3-prong (grounding) plug which mates with a standard 3-prong (grounding) wall receptacle to minimize the possibility of electric shock hazard from this appliance. Have the wall outlet and circuit checked by a qualified electrician to make sure the outlet is properly grounded.

Where a standard 2-prong wall outlet is encountered, it is your personal responsibility and obligation to have it replaced with a properly grounded 3-prong wall outlet.

**DO NOT, UNDER ANY CIRCUMSTANCES, CUT OR REMOVE THE THIRD (GROUND) PRONG FROM THE POWER CORD.**

**DO NOT USE AN ADAPTER PLUG TO CONNECT THE REFRIGERATOR TO A 2-PRONG OUTLET.**

**DO NOT USE AN EXTENSION CORD WITH THIS APPLIANCE.**



## MISE À LA TERRE DU RÉFRIGÉRATEUR

**⚠ AVERTISSEMENT**  **Risque de choc électrique.**

Le non-respect de ces instructions peut entraîner des risques d'incendies, des chocs électriques ou la mort.

Le cordon d'alimentation de cet appareil est équipé d'une fiche à trois broches (pour une mise à la terre) qui s'adapte à la prise de courant standard à 3 broches (pour une mise à la terre) pour minimiser les risques de chocs électriques par cet appareil.

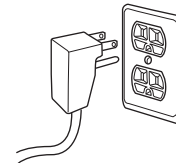
Faites vérifier la prise murale et le circuit électrique par un électricien qualifié pour s'assurer que le système est correctement mis à la terre.

Dans le cas d'une prise biphasee, l'installateur a la responsabilité et l'obligation de la remplacer par une prise triphasée correctement mise à la terre.

**NE COUPEZ PAS OU N'ENLEVEZ PAS, SOUS AUCUN PRÉTEXTE, LA TROISIÈME BROCHE DE MISE À LA TERRE DU CORDON D'ALIMENTATION.**

**N'UTILISEZ PAS D'ADAPTATEUR POUR BRANCHER LE RÉFRIGÉRATEUR À UNE PRISE BIPHASÉE.**

**N'UTILISEZ PAS DE RALLONGE AVEC CET APPAREIL.**



# Installation Instructions - Flush Inset Installation for French Door Bottom Freezer Refrigerator

## CONEXIÓN A TIERRA DEL REFRIGERADOR

**⚠ ADVERTENCIA**  **Riesgo de Descarga Eléctrica**

Si no se siguen estas instrucciones, se podrá producir la muerte, incendios o descargas eléctricas.

El cable de corriente de este electrodoméstico cuenta con un enchufe de 3 cables (conexión a tierra) que se conecta a un tomacorriente de pared estándar de 3 cables (conexión a tierra) para minimizar el riesgo de posibles descargas eléctricas por parte del mismo.

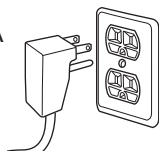
Contrate a un electricista calificado para que controle el tomacorriente y el circuito eléctrico, a fin de asegurar que el enchufe esté correctamente conectado a tierra.

En caso de contar con un tomacorriente de pared de 2 cables, es su responsabilidad y obligación reemplazarlo por un tomacorriente de pared de 3 cables correctamente conectado a tierra.

NUNCA, BAJO NINGUNA CIRCUNSTANCIA, CORTE NI ELIMINE EL TERCER CABLE (TIERRA) DEL CABLE DE CORRIENTE.

NO USE UN ENCHUFE ADAPTADOR PARA CONECTAR EL REFRIGERADOR A UN TOMACORRIENTE DE 2 PATAS.

NO USE UN PROLONGADOR CON ESTE ELECTRODOMÉSTICO.

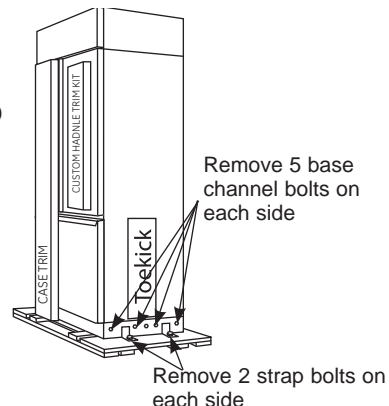


## STEP 1 REMOVE PACKAGING (Cont.)

- Carefully cut banding at the top and bottom, remove the outer carton.
- Slide out the back corner posts (2).
- Slide the carton off the top of the cabinet.

**NOTE: IT IS NOT NECESSARY TO LAY THE CABINET DOWN IN ORDER TO REMOVE THE SKID!**

- The unit is secured to the skid with 2 full-length tie-down straps. Remove the ten 5/16" bolts from the base channels in the tie-downs.
- Remove the four 7/16" bolts securing the straps to the skid.



**NOTE: DO NOT ATTEMPT TO ROLL UNIT OFF SKID.**

- The support blocks on the bottom of the refrigeration case must be removed before the refrigerator is taken off the skid or damage will occur. Carefully tilt the refrigerator and slide the blocks out from beneath.
- Remove the toekick and set aside for final installation.
- Lift the refrigerator off the skid with an appliance dolly.

## STEP 1 REMOVE PACKAGING

**⚠ WARNING**  **Tip Over Hazard.**

Refrigerator is much heavier at the top than at the bottom. To avoid a risk of death or serious injury, be careful when moving, and when using a hand truck, handle only from side.

DO NOT ATTEMPT TO ROLL UNIT OFF SKID.

**⚠ AVERTISSEMENT**  **Risque de basculement** Parce que le haut du réfrigérateur est plus lourd que sa base, la prudence est de mise lors son déplacement, de l'utilisation d'un diable-brouette, de sa manipulation faite seulement sur son côté afin d'éviter les blessures graves ou mortelles.

IL NE FAUT PAS ESSAYER DE FAIRE ROULER L'APPAREIL MÉNAGER POUR L'ENLEVER DE LA PALETTE.

**⚠ ADVERTENCIA**  **Riesgo de Caídas**

El refrigerador es mucho más pesado en su parte superior que en su parte inferior – tenga cuidado al moverlo. Al usar un carro manual, sosténgalo de costado únicamente. NO INTENTE HACER RODAR LA UNIDAD FUERA DEL ANTIDESLIZANTE.

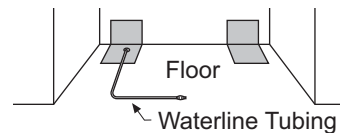
## STEP 2 INSTALL WATER LINE

**⚠ WARNING** **Connect to potable water supply only.**

**⚠ AVERTISSEMENT** Raccordez l'appareil à une alimentation d'eau potable seulement.

**⚠ ADVERTENCIA** Realice la conexión a un suministro de agua potable únicamente.

- A cold water supply is required for automatic icemaker operation. The water pressure must be between 40 and 120 p.s.i. (275-827 kPa).
- Route 1/4" OD copper or SmartConnect™ plastic tubing between house cold water line and the water connection location.
- Tubing should be long enough to extend to the front of the refrigerator. Allow enough tubing to accommodate bend leading into the water line connection.





# Installation Instructions - Flush Inset Installation for French Door Bottom Freezer Refrigerator

## STEP 2 INSTALL WATER LINE

(Cont.)

**NOTE:** The only Monogram Appliances-approved plastic tubing is supplied in the SmartConnect™ Refrigerator Tubing kits. Do not use any other plastic water supply line because the line is under pressure at all times. Other types of plastic may crack or rupture with age and cause water damage to your home.

SmartConnect™ Refrigerator Tubing Kits are available in the following lengths:

- 2' (.6 m) WX08X10002
- 8' (2.4 m) WX08X10006
- 15' (4.6 m) WX08X1 0015
- 25' (7.6 m) WX08X10025

### Shut off the main water supply.

Turn on the nearest faucet long enough to clear the line of water.

- Install a shut-off valve between the icemaker water valve and cold water pipe in a basement or cabinet. The shut-off valve should be located where it will be easily accessible.
- Turn on the main water supply and flush debris. Run about a quart of water through the tubing into a bucket. Shut off water supply at the shut-off valve.

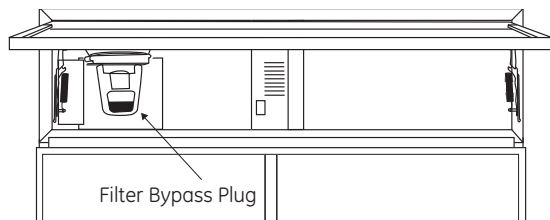
**NOTE:** Saddle type shut-off valves are included in many water supply kits, but are not recommended for this application.

**NOTE:** Commonwealth of Massachusetts Plumbing Codes 248CMR shall be adhered to. Saddle valves are illegal and use is not permitted in Massachusetts. Consult with your licensed plumber.

## STEP 2A WATER LINE INSTALLATION WITH A REVERSE OSMOSIS SYSTEM

Skip this step when not using an RO System

If the water supply to the refrigerator is from a Reverse Osmosis Water System, use the refrigerator's filter bypass plug. Using the refrigerator's water filtration cartridge with the RO filter can result in hollow ice cubes.



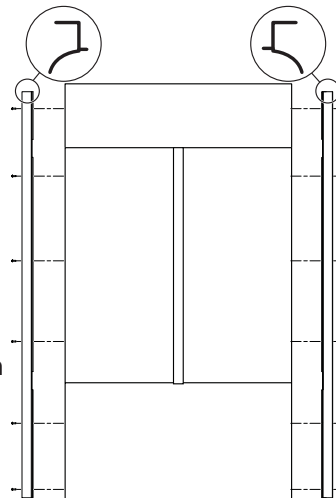
## STEP 3 INSTALL SIDE PANELS

Skip this step when not using side panels

If you are using 1/4" (0.63 cm) side panels, they should be inserted into the case trim. Fasten the panels to the refrigerator with stick-on hook and loop fastener strips before setting refrigerator in place.

## STEP 4 INSTALL CASE TRIM

The unit arrives with case trim for standard installation attached. Flush installation case trim is provided in kit ZKFN. Remove the factory installed case trim. Install new case trim using supplied right hand and left hand case trim pieces and case trim screws. Attach case trim to each side of case as shown in illustration using case trim screws in holes provided down each side of the case. The cutouts on the case trim should align with the lower fresh food door hinges.



## STEP 5 ANTI-TIP PROCEDURE

### ⚠ WARNING



### Tip Over Hazard.

These refrigerators are top heavy, especially with any doors open, and must be secured to prevent tipping forward which could result in death or serious injury. Read and follow the entire installation instructions for securing the refrigerator with the anti-tip system.

### ⚠ AVERTISSEMENT



### Risque de

### basculement

Ces réfrigérateurs présentent une partie supérieure lourde, en particulier avec une porte ouverte; ils doivent donc être fixés pour prévenir le basculement vers l'avant et le risque concomitant de blessure grave ou fatale. Lisez et suivez les instructions d'installation complètes pour l'installation du système anti-basculement.

### ⚠ ADVERTENCIA



### Riesgo de Caídas

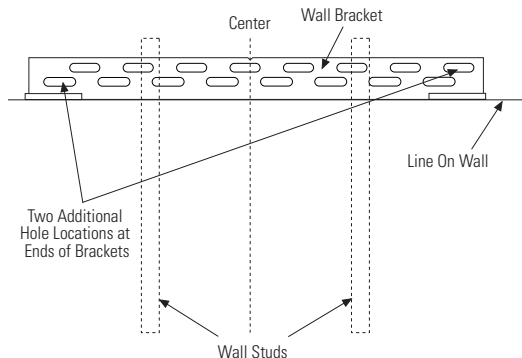
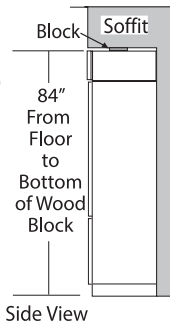
Estos refrigeradores son inestables, especialmente cuando una puerta se encuentre abierta, y deberán estar asegurados a fin de evitar caídas hacia adelante que podrían resultar en la muerte o en lesiones graves. Lea y siga las instrucciones de instalación en su totalidad para asegurar el refrigerador con el sistema anti volcaduras.



# Installation Instructions - Flush Inset Installation for French Door Bottom Freezer Refrigerator

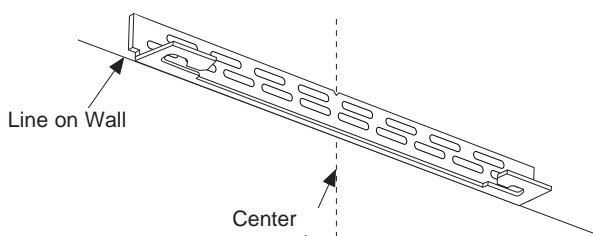
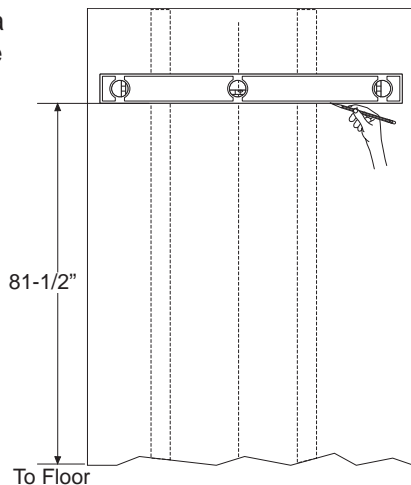
## STEP 5 ANTI-TIP PROCEDURE (cont.)

- Cut a 1" (2.54 cm) x 4" (10.16 cm) block, 35" (88.9 cm) long.
- Measure and mark under the soffit, 5-1/4" (13.33 cm) from the front edge of the cabinet.
- Secure the wood block to under the soffit. From the bottom of the block to the finished floor should measure 84" (213.36 cm). See the illustration.



- The kit supplied with the unit contains 2 lag bolts and 4 toggles with bolts. The wall bracket will be attached to the wall in 4 places.
- Measure the opening where the unit is to be installed. Mark the center with a vertical line.
- Measure up 81-1/2" (207.01 cm) from the floor. Mark this point on the wall.

- Using a level, draw a horizontal line on the wall at this height.
- Locate at least 2 studs on the back wall. Mark these points on the horizontal line.
- Place the bottom of the wall bracket with tabs on the horizontal line. Align the center notch on the bracket with the center line on the wall.



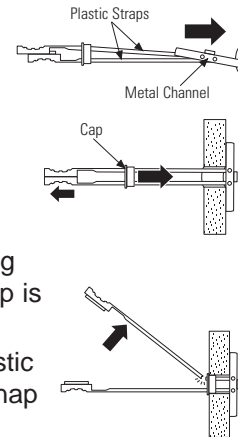
- The anti-tip wall bracket has a series of holes. Select 2 holes that match with the located studs. Make sure the holes selected are on the center of the studs. Mark the wall at these points.
- Mark an additional hole at each end of the bracket. If one of the studs is closer to the end of the bracket, mark an additional hole towards the center of the bracket.
- Drill 1/2" (1.27 cm) holes into the wall board at the locations marked for the toggles to be mounted (not the stud markings).

- Drill 3/16" (0.47 cm) holes into wooden studs where marked. If steel stud construction, drill 1/2" (1.27 cm) holes into the studs where marked. You will use 2 toggles with the metal studs.

### Install Wall Toggles:

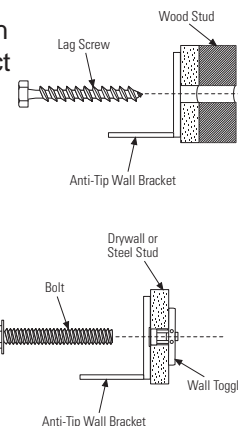
The wall toggles and bolts can be ordered as Service Kit #WR49X10193. Wall toggles are installed in the drywall and metal studs for stability. Install the wall toggles as follows:

- Drill 1/2" (1.27 cm) holes at the wall markings made in the holes at the ends of the wall bracket.
- Hold the metal channel flat against the plastic straps and slide the channel through the hole.
- Gently pull back at the ends of the plastic straps to make the channel rest flush behind the wall.
- Hold the ends of the straps in one hand and slide the plastic cap along the straps until the flange of the cap is flush with the wall.
- Place your thumb between the plastic straps and bend up and down to snap the straps off at the wall.



### Install Screws and Bolts:

- Have someone hold the wall bracket centered in place with each of the holes aligned with the correct opening in the bracket and level with the horizontal line.
- Insert the lag screws through the bracket and into the stud. Tighten with a wrench.
- Insert the bolts into the toggle by hand until snug. Tighten with a wrench.



# Installation Instructions - Flush Inset Installation for French Door Bottom Freezer Refrigerator

## STEP 5 ANTI-TIP PROCEDURE (CONT)

### CONNECT POWER CORD:

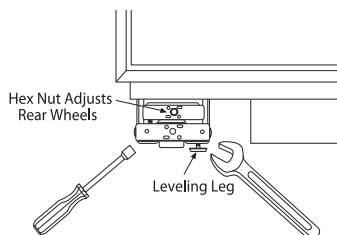
- Before pushing the refrigerator into the opening, plug the power cord into the receptacle. Open the grille panel and reach into the opening at the back to grasp the power cord. Pull the power cord into the opening as you push the refrigerator back.
- Gently push refrigerator into the opening with hands against front corners.

**IMPORTANT:** When the refrigerator is installed under a soffit or if there is not enough height for this method of security, brackets cannot be used. Proceed to step 6 to level the refrigerator and then to step 8 to secure refrigerator to cabinets.

## STEP 6 LEVEL REFRIGERATOR

All models have 4-point leveling. The front is supported by leveling legs, the rear is supported by adjustable wheels. Both are accessible from the front of the refrigerator.

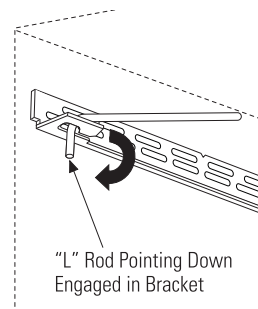
- To level the back of the refrigerator, turn the 7/16" hex nut located above the front wheels. Turn clockwise to raise or counterclockwise to lower the refrigerator.
- For front leveling, use a 1-1/4" open-end wrench.
- Adjust height of refrigerator to match installation cutout opening 83-1/2" (212.09 cm) to 84-1/2" (214.63 cm). The refrigerator should be level and plumb with cabinetry.



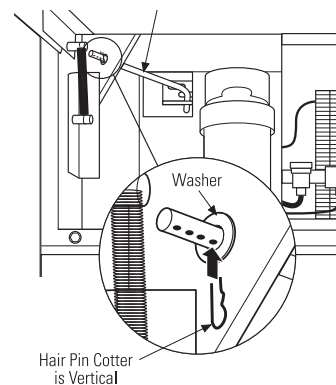
The rear leveling wheels and front leveling legs are limited to a maximum height adjustment of 1" (2.54 cm). If the installation requires more than 84-1/2" (214.63 cm) height, the installer should elevate the refrigerator on a sheet of plywood or runners. Cabinetry trim could also be added across the top of the opening to shorten the opening. If you attempt to raise the refrigerator more than 1" (2.54 cm), you will damage the front leveling legs and the rear leveling wheels.

## STEP 7 SECURE UNIT TO WALL

- The "L" rod can be found in the upper left corner of the unit in the access compartment. Look through the access compartment to make sure the rod lines up with the anti-tip bracket.
- There are 2 washers and a hair pin cotter with the rod. Remove the washers and hair pin cotter from the end of the rod.
- Rotate and move the "L" rod into the slot in the anti-tip bracket tab. Once it is in the slot, rotate the "L" rod so the hook portion is pointing down. The holes at the front end of the rod should be in a vertical position.



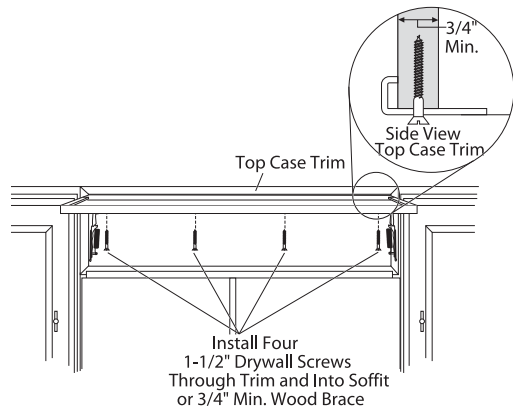
- Pull out on the end of the rod to make sure it is secure in the bracket.
- Locate the hole on the rod that is closest to the unit. A hair pin cotter will be put through this hole to secure the rod. If this hole appears to be too far away for a snug fit against the unit, add the washers one at a time until the pin will fit tightly into the hole.
- Align the straight section of the pin with the hole from the underside of the rod. Push the pin up until it snaps into position. Pliers may be used. **NOTE:** The hair pin cotter must be vertical when this step is completed to ensure the "L" rod is engaged in the bracket.
- Check the rod for tightness by pulling forward. If the rod moves, remove the hair pin cotter and place another washer on the rod. Reinsert the pin.



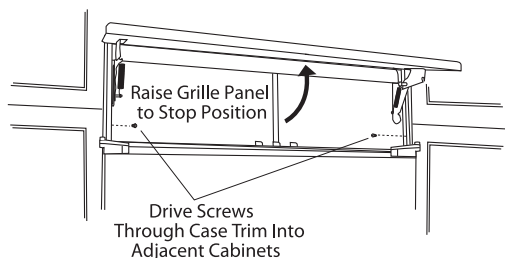
# Installation Instructions - Flush Inset Installation for French Door Bottom Freezer Refrigerator

## STEP 8 ALTERNATE ANTI-TIP PROCEDURE

The refrigerator must be secured to prevent tipping. If the anti-tip bracket cannot be used, this alternate procedure may be used to secure the refrigerator against tip-over



- Raise the grille panel to access case trim.
- Use a 3/16" bit to drill four evenly spaced clearance holes through the metal top case trim.
- Use a 1/16" bit to drill to pilot holes through the metal clearance holes and into the wood soffit. The holes should be centered in the soffit or a 3/4" min. wood brace. The brace spanning the enclosure must be securely fastened to cabinets on both sides.
- Install four, 1-1/2" (3.81 cm) drywall screws into the pilot holes.
- If no soffit above the unit, drill screws into adjacent cabinets through the side case trim.

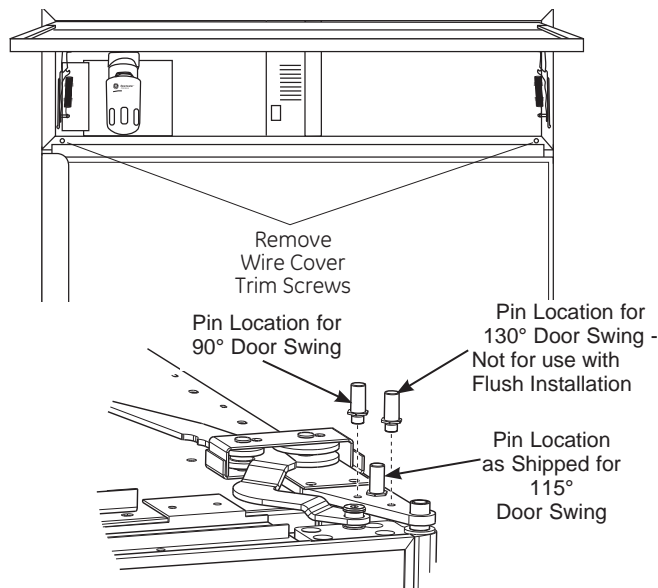


## STEP 9 ADJUST DOOR SWING


**NOTE:** This refrigerator has a 3-position door stop. When space does not allow the door to swing open fully to 115°, you may change the door swing to a 90° opening. A 130° door swing is available for standard installation only. If used for flush installation, damage will occur to wood panels. **Skip this step if door opening is satisfactory for your installation situation.**

## STEP 9 ADJUST DOOR SWING

- Lift the grille panel to access the wire cover trim.
- Remove screws on both sides of the wire cover trim and rotate off.
- Use pliers to unscrew door stop and reinstall into the 90° or 130° position.



- Reinstall the wire cover trim.

**⚠ WARNING**  Door Trim Pinch Point Hazard  
Improper installation can lead to a finger pinch point hazard between the side door trim and the cabinets when operating the door, especially with children. To minimize this risk you must follow the installation instructions for cabinet dimensions, trim assembly, and door stop angle.

**⚠ AVERTISSEMENT**  **Risque de pincement de doigts**

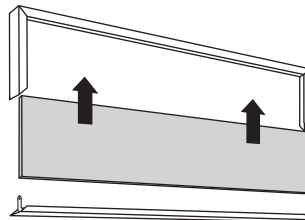
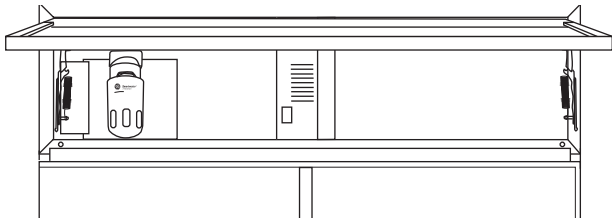
Une installation incorrecte peut poser un risque de coincement de doigts entre la garniture de porte latérale et les armoires en actionnant la porte, en particulier pour les enfants. Pour réduire ce risque, vous devez suivre les instructions d'installation relatives aux dimensions d'armoire, au montage des garnitures et à l'angle de l'arrêt de porte.

**⚠ ADVERTENCIA**  **Riesgo de Lastimadura con el Marco de la Puerta** : Una instalación inadecuada podrá conducir a riesgos de pellizcos de dedos entre el marco lateral de la puerta y los gabinetes al utilizar la puerta, especialmente con los niños. A fin de minimizar este riesgo, usted deberá seguir las instrucciones de instalación para dimensiones de gabinetes, ensambles de marcos y ángulos de detención de puertas.

# Installation Instructions - Flush Inset Installation for French Door Bottom Freezer Refrigerator

## STEP 10 INSTALL GRILLE PANEL

- Raise the access panel to the stop position.



- Loosen the screws on the side trim behind the frame. Remove the bottom trim.
- Slide the panel over the metal baker panel and into the trim.
- If necessary, tap with a wood block until the panel slips under the top trim piece.
- Reassemble the bottom trim. Tighten the screws.
- Adjust the hinge spring to accommodate the panel weight, if necessary.

## STEP 11 INSTALL ASSEMBLED PANELS

- Install custom handles according to the manufacturer's instructions.

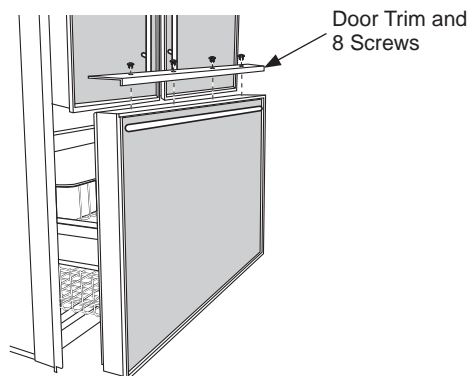
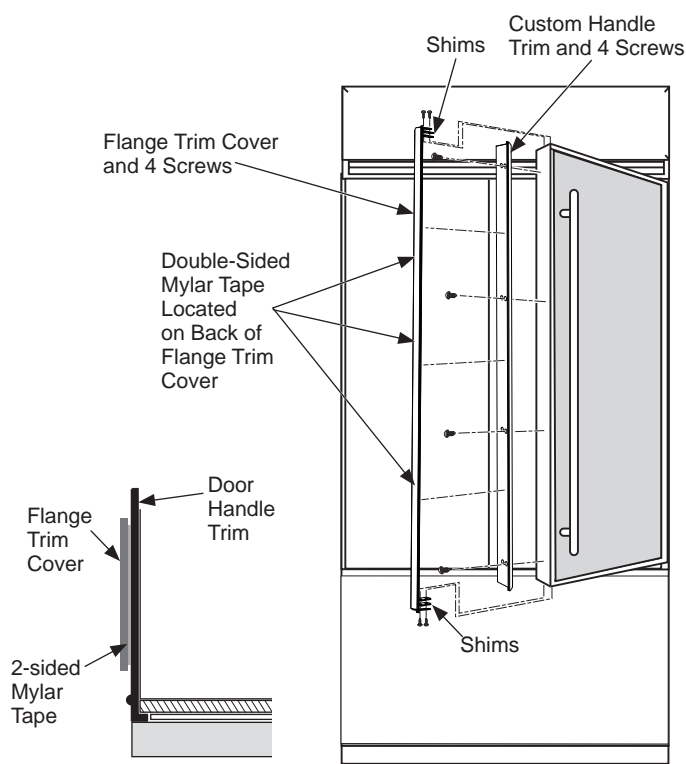
### FRESH FOOD DOORS

- Beginning with the right fresh food door, slide assembled door panel into the trim on the door.
- Place the custom handle trim against the side of the refrigerator door, aligned top to bottom. The holes in the trim should align to the holes in the door.

- Attach the custom handle trim with the 8 screws previously removed.
- Repeat these steps with the left fresh food door.

### FREEZER DRAWER

- Slide the assembled panel into the drawer trim.
- Secure the original drawer trim using the original round head trim screws.



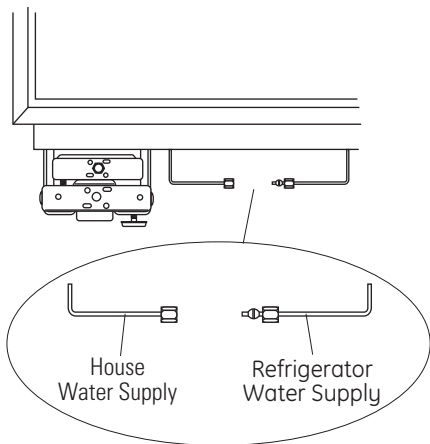
# Installation Instructions - Flush Inset Installation for French Door Bottom Freezer Refrigerator

## STEP 12 CONNECT WATER SUPPLY

**⚠ WARNING** Connect to potable water supply only.

**⚠ AVERTISSEMENT** Raccordez l'appareil à une alimentation d'eau potable seulement.

**⚠ ADVERTENCIA** Realice la conexión a un suministro de agua potable únicamente.



- Locate and bring tubing to the front of the cabinet.
- Turn the water on to flush debris from line. Run about a quart of water through tubing into a bucket, then shut off water.

### Copper Tubing:

- Slip a 1/4" nut and ferrule (provided) over both ends of the copper tubing. Insert tube into the union fitting on the unit and tighten nut to union.
- Turn on the water to check for leaks.

### SmartConnect™ Tubing:

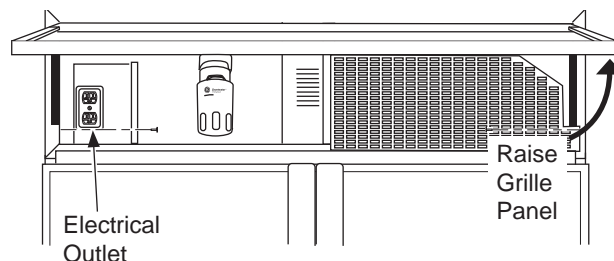
**NOTE:** The only Monogram Appliances-approved plastic tubing is supplied in the SmartConnect™ Refrigerator Tubing kits. Do not use any other plastic water supply line because the line is under pressure at all times. Other types of plastic may crack or rupture with age and cause water damage to your home.

- Insert the molded end of the tubing into the refrigerator connection. Tighten the compression nut until it is just hand tight.
- Tighten one additional turn with a wrench. Overtightening can cause leaks!
- Turn on the water to check for leaks.

**Note:** Make sure excess tubing length does not interfere with drawer closing or toekick installation.

## STEP 13 CONNECT POWER

- Check to be sure the power cord is plugged into the receptacle.



- Check to make sure power to refrigerator is on by opening refrigerator door to see if interior lights are on.
- The temperature controls are preset at 37°F (-13.89°C) for the fresh food section and 0°F (-17.78°C) for the freezer.
- Allow 24 hours to stabilize before making adjustments.

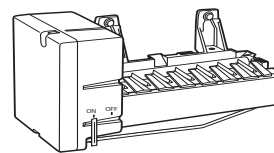
## STEP 14 START ICEMAKER

**⚠ CAUTION** Avoid contact with the moving parts of the ejector mechanism, or with the heating element (located on the bottom of the icemaker) that releases the cubes. Do not place fingers or hands on the automatic ice making mechanism while the freezer is plugged in.

**⚠ ATTENTION** Évitez tout contact avec les pièces mobiles du mécanisme d'éjection, ou l'élément chauffant (situé dans le bas de la machine à glaçons) qui libère les glaçons. Ne placez pas les doigts ou les mains sur le mécanisme de production de glace automatique lorsque le congélateur est branché dans la prise électrique.

**⚠ PRECAUCIÓN** Evite el contacto con las partes en movimiento del mecanismo expulsor o con el elemento de calefacción (ubicado en la parte inferior de la máquina de hielo) que expulsa los cubos. No coloque los dedos ni las manos en el mecanismo de la máquina de hielo automática mientras el freezer se encuentre enchufado.

- The icemaker will begin operation automatically.
- Be sure nothing interferes with the sweep of the feeler arm.
- Discard the first full bucket of ice cubes.



- To turn the icemaker off, see Standard Installation.
- NOTE:** Icemaker works best between 40 and 120 PSI (275-827 kPa) home water pressure.

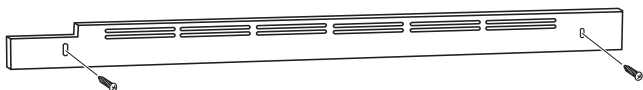
# Installation Instructions - Flush Inset Installation for French Door Bottom Freezer Refrigerator

## STEP 15 INSTALL TOEKICK

- A custom toekick can be installed to match or complement the surrounding cabinetry.

**IMPORTANT:** The custom toekick must NOT cover the horizontal vent slots of the factory toe kick provided with the original refrigerator and should be 1-5/8" longer on each side. Final height should be cut once the unit is leveled.

- Attach the toekick assembly to the refrigerator using the supplied screws (2).



## INSPECT FINAL INSTALLATION

### Check Door Alignment

Stand back away from the refrigerator to inspect the final installation.

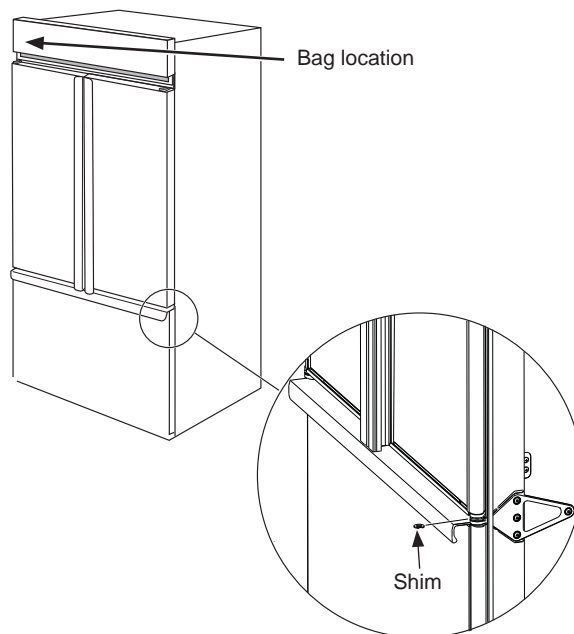
- Installation or the addition of heavy door panels may have caused the doors to move slightly out of alignment. Check to be sure the top of the doors are evenly aligned with each other. If necessary, the doors may be adjusted up or down to align.
- Add or subtract shims as shown to adjust the right door only. More shims are located under the hood on the left side in the bag with the filter bypass plug and mini manual.

### To Raise Right Hand Door

- Lift the right hand door up so there is a gap below the bottom hinge bushing.
- Snap a shim onto the hinge pin below the bushing.
- Lower the door and re-check the alignment.
- Repeat as necessary.

### To Lower Right Hand Door

- Lift the right hand door up so there is a gap below the bottom hinge bushing.
- Remove a shim by pushing shim off of the hinge pin.
- Lower the door and re-check the alignment.
- Repeat as necessary.

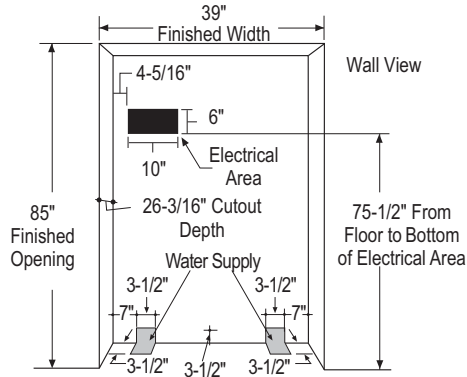




# **Instructions for Bottom Freezer Refrigerator**

# Design Guide - Flush Inset Installation for Bottom Freezer Refrigerator

## THE INSTALLATION SPACE



### Water And Electrical Locations

Electrical and water supply must be located as shown.

### The Cutout Depth Must Be 26-3/16" (66.52 cm)

Wooden cleats are required for flush installation. See Side Cleats on page 30.

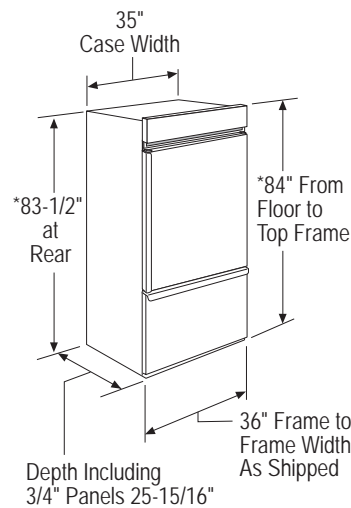
### Cutout depth beneath a soffit:

When installed beneath a soffit, the soffit cannot exceed the 26-3/16" (66.52 cm) installation depth shown. The top case trim overlaps the bottom of the soffit.

### Additional Specifications

- A 115 volt 60Hz., 15 or 20 amp power supply is required. An individual properly grounded branch circuit or circuit breaker is recommended. Install a properly grounded 3-prong electrical receptacle recessed into the back wall. Electrical must be located on rear wall as shown.
- Water line can enter the opening through the floor or back wall. Route SmartConnect™ kit or 1/4" O.D. copper tubing between the cold water line and the water connection location. The tubing should be long enough to extend to the front of the refrigerator. Installation of an easily accessible shut-off valve in the water line is required.

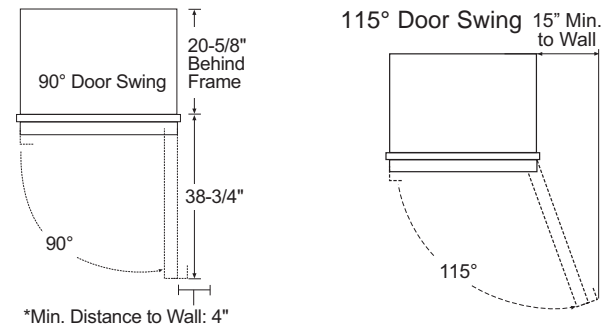
## DIMENSIONS AND CLEARANCES



\* Shipping height. The refrigerator can be adjusted to fit into a cutout that is 85" (215.9 cm) max. height. Use leveling legs and wheels for a maximum 1" (2.54 cm) height adjustment.

### Product Clearances

These refrigerators are equipped with a 3-position door stop. The factory set 115° door swing can be adjusted to 90° if clearance to adjacent cabinets or walls is restricted.

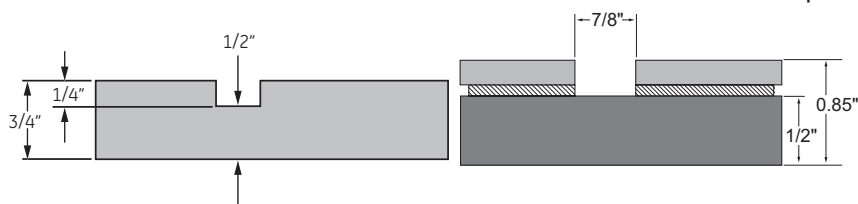


For a 90° door swing, allow 4" (10.16 cm) min. clearance to wall. If the 90° door stop position is used, pan access is maintained, but pan removal is restricted

## CUSTOM HANDLE DESIGN GUIDE

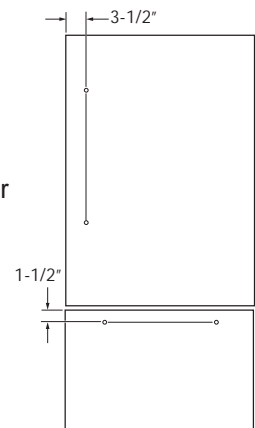
Custom handles must be used for flush installation. For custom handle installation, counterbore holes in rear of decorative panels must ensure 1/2" (1.27 cm) material thickness remains for handle support.

**NOTE:** The counterbore must not exceed 1" (2.54 cm) in diameter.



Minimum distance on Fresh Food Door from handle side edge to handle center should be 3-1/2" (8.89 cm) as shown.

Minimum distance on Freezer Door from top edge to handle center on the freezer drawer should be 1-1/2" (3.81 cm) as shown.





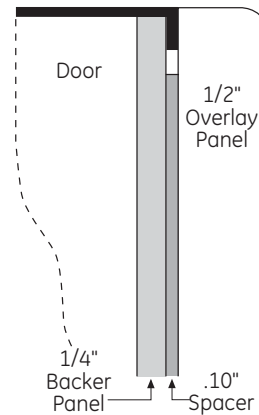
# Design Guide - Flush Inset Installation for Bottom Freezer Refrigerator

## 1/2" (1.27 cm) OVERLAY PANEL DIMENSIONS

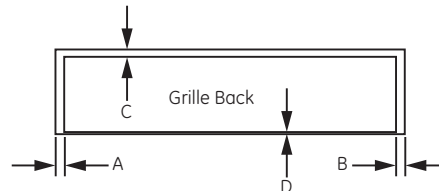
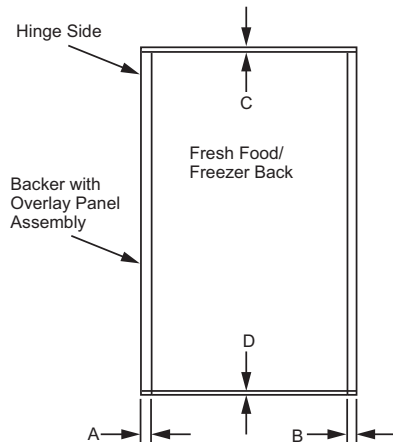
For a more custom appearance, overlay panels may be installed on trimmed models. The overlay panel must be secured to a 1/4" (.63 cm) thick backer panel which slides into the trim. A spacer panel 0.10" (0.25 cm) thick must be placed between the overlay and backer panel.

### Assemble the panels with glue and screws:

- Center the spacer panel on the backer panel, left to right and top to bottom. Secure the panels with glue.
- Refer to the following chart for locating the backer panel to the overlay panel. Secure the overlay panel to the backer panel with glue and screws. Screws must be countersunk into the backer panel.



$$.250'' + .10'' + .50'' = .850'' \text{ Total Panel Thickness} \\ (0.635 \text{ cm} + 0.254 \text{ cm} + 1.27 \text{ cm} = 2.159)$$



	A	B	C	D
Door Panel	2-1/16" (5.24 cm)	2-1/16" (5.24 cm)	5/16" (0.79 cm)	3/16" (0.47 cm)
Drawer Panel	2-1/16" (5.24 cm)	2-1/16" (5.24 cm)	5/16" (0.79 cm)	3/16" (0.47 cm)
Grille Panel	2-1/16" (5.24 cm)	2-1/16" (5.24 cm)	1-11/16" (4.28 cm)	3/16" (0.47 cm)

**IMPORTANT NOTE:** Maximum total weight for the assembled panels:

- Fresh food door panel – 75 lbs. (34.02 cm)
- Grille Panel – 18 lbs. (8.16 cm)

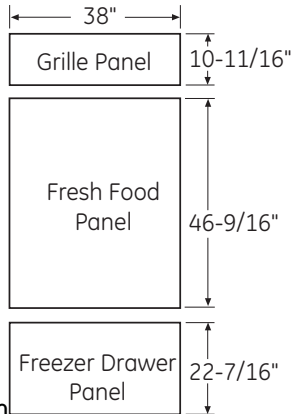
### Panel Dimensions

	Fresh Food	Freezer	Grille
1/4" (0.63 cm) Backer Panel	46-1/16" x 33-7/8" (116.99 cm x 86.04 cm)	21-7/8" x 33-7/8" (55.56 cm x 86.04 cm)	8-7/8" x 33-7/8" (22.54 cm x 86.04 cm)
.10" (0.25 cm) Spacer Panel	44-11/16" x 32-1/2" (113.51 cm x 82.55 cm)	20-1/2" x 32-1/2" (52.07 cm x 82.55 cm)	7-5/8" x 32-1/2" (16.37 cm x 82.55 cm)
1/2" (1.27 cm) Overlay Panel	49-9/16" x 38" (125.89 cm x 96.52 cm)	22-7/16" x 38" (56.99 cm x 96.52 cm)	10-11/16" x 38" (27.15 cm x 96.52 cm)

# Design Guide - Flush Inset Installation for Bottom Freezer Refrigerator

## 3/4" (1.9 cm) DECORATIVE PANEL DIMENSIONS

For a more custom appearance, overlay panels may be installed to give a flush appearance with surrounding cabinets. The overlay panel must be 3/4" (1.9 cm) thick. Panel attaches to included brackets to provide mounting to the appliance door.



**NOTE:** We recommend that decorative panels have inside corners and edges rounded or beveled by cabinet maker to avoid sharp edges on the panels. Edges to be treated should include the top, bottom and hinge side edges.

**IMPORTANT NOTE:** Maximum total weight for the assembled panels:

- Door panel – 67 lbs. (30.39 kg)
- Grille Panel – 18 lbs. (8.16 kg)

### ⚠ WARNING



#### Door Trim Pinch Point Hazard

Improper installation can lead to a finger pinch point hazard between the side door trim and the cabinets when operating the door, especially with children. To minimize this risk you must follow the installation instructions for cabinet dimensions, trim assembly, and door stop angle.

### ⚠ AVERTISSEMENT



#### Risque de pincement de doigts

Une installation incorrecte peut poser un risque de coincement de doigts entre la garniture de porte latérale et les armoires en actionnant la porte, en particulier pour les enfants. Pour réduire ce risque, vous devez suivre les instructions d'installation relatives aux dimensions d'armoire, au montage des garnitures et à l'angle de l'arrêt de porte.

### ⚠ ADVERTENCIA



#### Riesgo de Lastimadura con el Marco de la Puerta

Una instalación inadecuada podrá conducir a riesgos de pellizcos de dedos entre el marco lateral de la puerta y los gabinetes al utilizar la puerta, especialmente con los niños. A fin de minimizar este riesgo, usted deberá seguir las instrucciones de instalación para dimensiones de gabinetes, ensambles de marcos y ángulos de detención de puertas.

## CUSTOMIZATION BASICS:

### Framed Or Overlay Panels, Custom Handles and Accessory Kits

These refrigerators are designed to be customized with decorative panels. Field installed custom door and grille panels are required.

#### Side Panels

Side panels must be used whenever the sides of the refrigerator will be exposed.

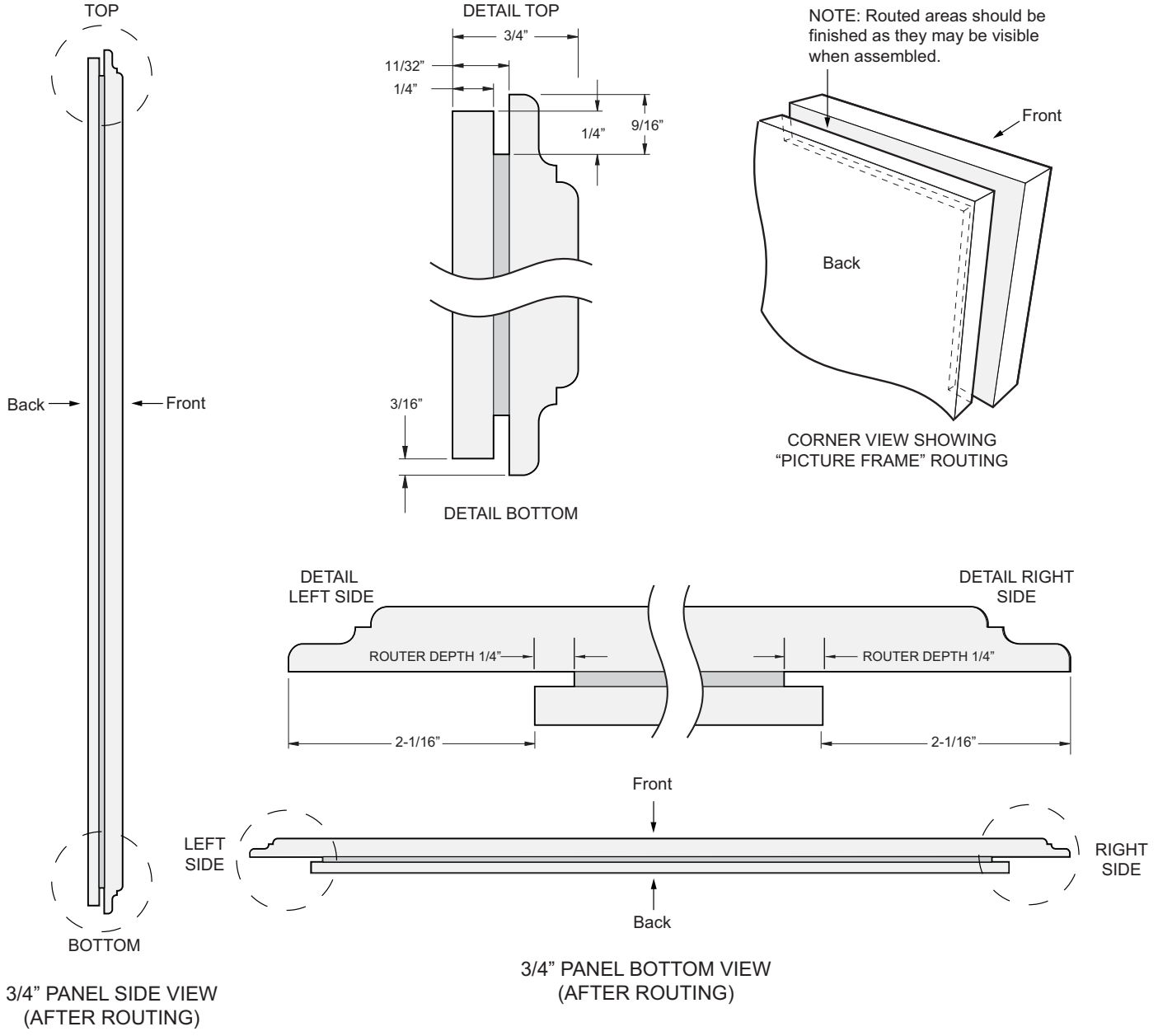
## REFRIGERATOR LOCATION

- Do not install the refrigerator where the temperature will go below 55°F (13°C). It will not run often enough to maintain proper temperatures.
- Do not install the refrigerator where temperatures will go above 100°F (37°C). It will not perform properly.
- Do not install the refrigerator in a location exposed to water (rain, etc.) or direct sunlight.
- Install it on a floor strong enough to support it fully loaded.

# Design Guide - Flush Inset Installation for Bottom Freezer Refrigerator

## 3/4" (1.9 cm) RAISED FRESH FOOD DOOR PANEL ROUTING

For 3/4" (1.9 cm) raised door panel, routing is required. The router depth is 1/4" (0.63 cm) all the way around the panel back. Additional panel width reductions are required per the diagrams below. This will create a "picture frame" routing that will slide onto the attached door trim.

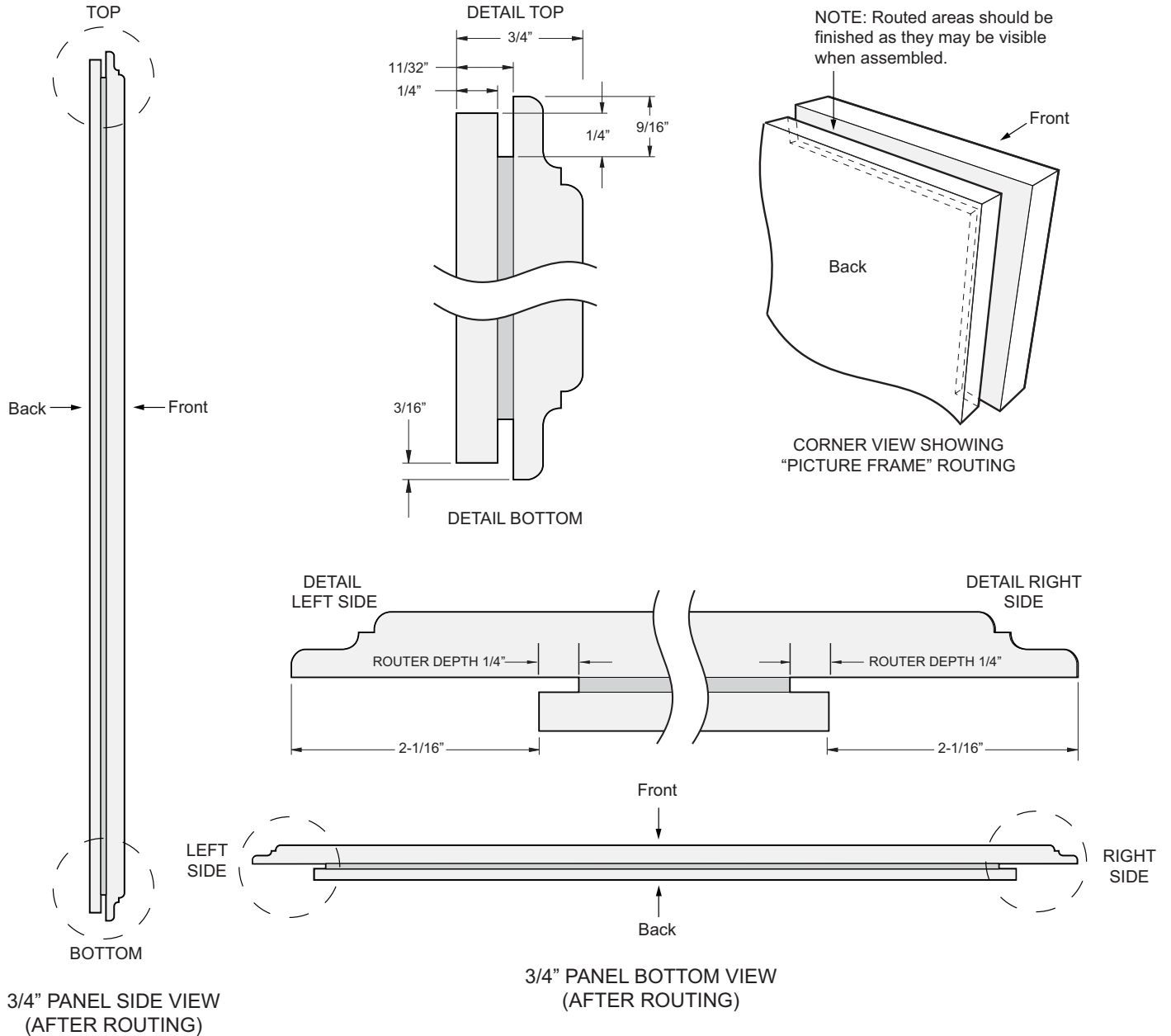


**NOTE:** For panels constructed with rails and stiles (5-panel), the minimum width is 3" (7.62 cm) for rails and 4" (10.16 cm) for stiles.

# Design Guide - Flush Inset Installation for Bottom Freezer Refrigerator

## 3/4" (1.9 cm) RAISED FREEZER DRAWER PANEL ROUTING

For 3/4" (1.9 cm) raised door panel, routing is required. The router depth is 1/4" (0.63 cm) all the way around the panel back. Additional panel width reductions are required per the diagrams below. This will create a "picture frame" routing that will slide onto the attached door trim.

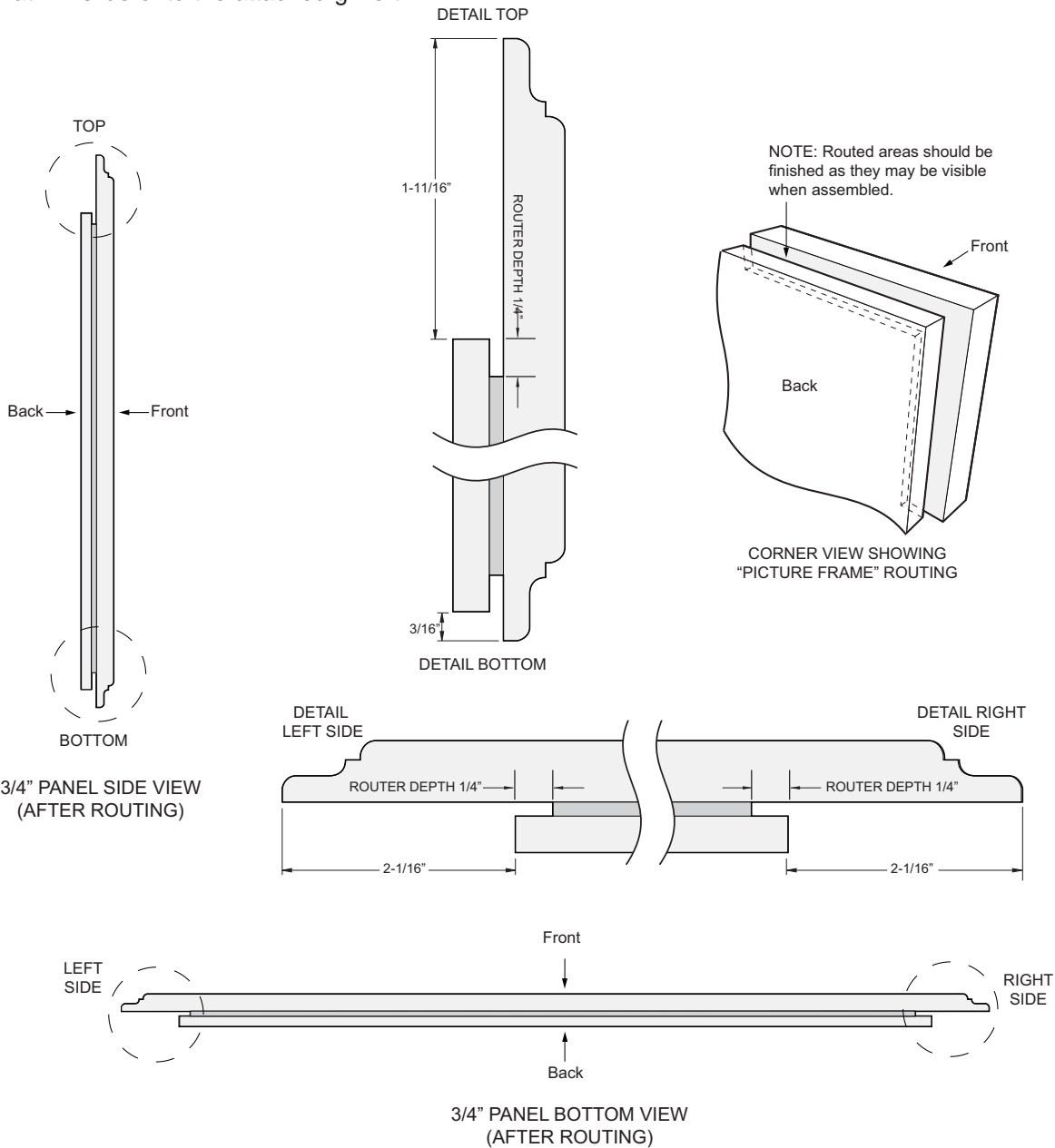


**NOTE:** For panels constructed with rails and stiles (5-panel), the minimum width is 3" (7.62 cm) for rails and 4" (10.16 cm) for stiles.

# Design Guide - Flush Inset Installation for Bottom Freezer Refrigerator

## 3/4" (1.9 cm) RAISED GRILLE PANEL ROUTING

For 3/4" (1.9 cm) raised grille panel, routing is required. The router depth is 1/4" (0.63 cm) all the way around the panel back. Additional panel width reductions are required per the diagrams below. This will create a "picture frame" routing that will slide onto the attached grille trim.



**NOTE:** For panels constructed with rails and stiles (5-panel), the minimum width is 3" (7.62 cm) for rails and 4" (10.16 cm) for stiles.

# Design Guide - Flush Inset Installation for Bottom Freezer Refrigerator

## INSTALLATION

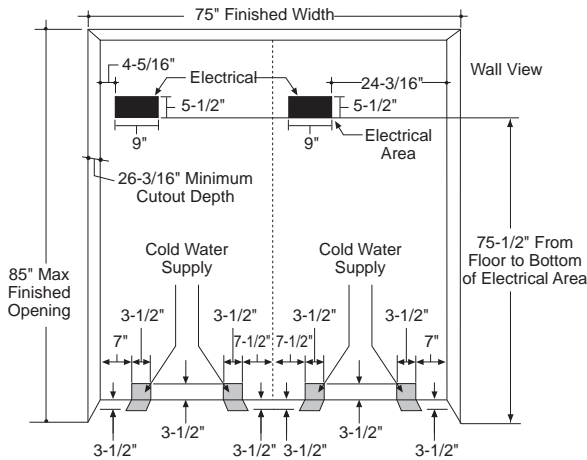
### ZKBFN720NII and ZKBSN720NSS Unification Kit

- If you are installing two units, side by side, the installation space must be 75" (190.5 cm) wide.

**Note:** Additional cutout width may be required when side panels are used. Add side panel thickness to the finished cutout to calculate rough-in width.

- The water and electrical locations for each product must be located as shown.
- A separate 115V, 60Hz., 15 or 20 amp power supply is recommended for each product.

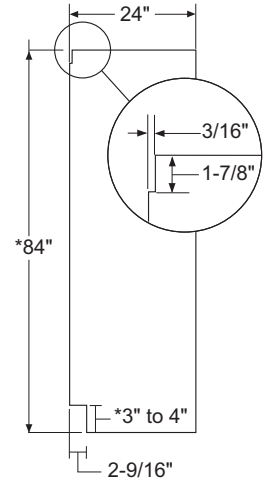
**NOTE:** When implementing a dual installation, the factory installed standard case trim should be used on the handle side of each unit and the supplied flush case trim should be used on the hinge side of each unit.



## SIDE PANELS

Side panels must be used whenever the sides of the refrigerator will be exposed. The 1/4" (0.63 cm) side panels will slip into the side case trim. Secure the panels to the refrigerator with stick-on hook and loop fastener strips. Order the side panels from the cabinet manufacturer.

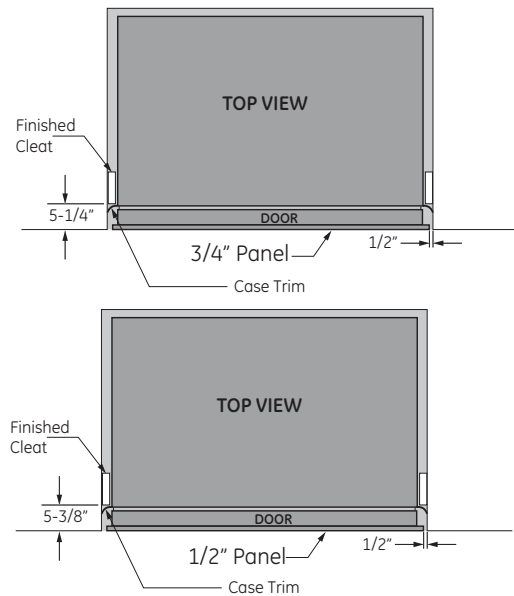
- Cut a notch in the top front corner as shown to allow clearance for corner keys in the front side trim.



\* Depending on installation height.

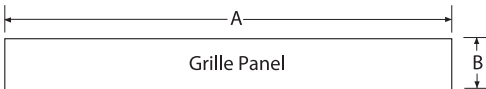
## SIDE CLEATS

Wood cleats are required to be installed vertically down both sides of the cabinet opening to provide depth stop for the refrigerator when installed into the opening. The cleat should be installed per the diagrams below based on the type of panel being used.



## ZKBFN720NII UNIFICATION KIT DIMENSIONS

The ZKBFN720NII Unification Kit provides for the installation of a framed or overlay grille panel.

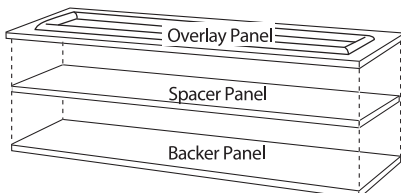


### Framed Panel Dimensions

	A (Width)	B (Height)
3/4" (1.91 cm) Routed Panel	74" (187.96 cm)	10-11/16" (27.15 cm)

### Overlay Panel Dimensions

	A (Width)	B (Height)
1/4" (0.63 cm) Backer Panel	69-7/8" (177.48 cm)	8-7/8" (22.54 cm)
0.10" (0.25 cm) Spacer Panel	68-1/2" (173.99 cm)	7-5/8" (19.37 cm)
1/2" (1.27 cm) Smooth Panel	74" (187.96 cm)	10-11/16" (27.15 cm)



Assemble the overlay panels in the same manner as the door and drawer panels.

## CUSTOM TOEKICK DIMENSION

To make a custom toekick, use the supplied toekick (H) as a template from the unification kit. The Custom toekick will need to be 1-5/8" longer on both ends from the supplied toekick (H) from the unification kit.

## UNIFIED DOOR PANEL DIMENSIONS

Door panel dimensions for dual installation are:  
 FF Door: 46-9/16" (125.89 cm) x 36-7/8" (93.66 cm)  
 FZ Drawer: 22-7/16" (56.99 cm) x 36-7/8" (93.66 cm)

# Installation Instructions - Flush Inset Installation for Bottom Freezer Refrigerator

## TOOLS REQUIRED

- Tinsnips to cut banding
- Stepladder
- Bucket
- Level
- Appliance Hand Truck
- Tubing cutter
- 7/16" open-end wrench
- #2 Phillips screwdriver
- Drill and appropriate bits
- 5/16", 7/16" socket
- Safety glasses
- 1-1/4" open end wrench
- Pliers
- 1/4" ratchet

## HARDWARE SUPPLIED WITH UNIT

- Water filter bypass plug
- Anti-Tip brackets
- 1/4" nut and ferrule

## MATERIALS REQUIRED

- 35" (88.9 cm) long 2x4 for Anti-Tip support
- 1/4" copper water line tubing or SmartConnect™ Refrigerator Tubing kits
- Water shut-off valve
- Custom panels for fresh food door, freezer drawer and grille panel
- Screws to secure refrigerator to cabinetry.
- Stick-on hook and loop fastener strips for 1/4" (0.63 cm) side panels
- ZKFN Kit for flush inset installations

## FLOORING

For proper installation, this refrigerator must be placed on a level surface of hard material that is at the same height as the rest of the flooring. This surface should be strong enough to support a fully loaded refrigerator, or approximately 1,200 lbs. (544.31 cm).

**NOTE:** Protect the finish of the flooring. Cut a large section of the cardboard carton and place under the refrigerator where you are working.

## GROUNDING THE REFRIGERATOR

**⚠ WARNING**  **Electrical Shock Hazard.**

Failure to follow these instructions can result in death, fire, or electrical shock.

The power cord of this appliance is equipped with a 3-prong (grounding) plug which mates with a standard 3-prong (grounding) wall receptacle to minimize the possibility of electric shock hazard from this appliance.

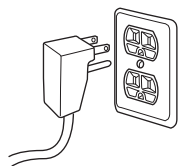
Have the wall outlet and circuit checked by a qualified electrician to make sure the outlet is properly grounded.

Where a standard 2-prong wall outlet is encountered, it is your personal responsibility and obligation to have it replaced with a properly grounded 3-prong wall outlet.

DO NOT, UNDER ANY CIRCUMSTANCES, CUT OR REMOVE THE THIRD (GROUND) PRONG FROM THE POWER CORD.

DO NOT USE AN ADAPTER PLUG TO CONNECT THE REFRIGERATOR TO A 2-PRONG OUTLET.

DO NOT USE AN EXTENSION CORD WITH THIS APPLIANCE.



## MISE À LA TERRE DU RÉFRIGÉRATEUR

**⚠ AVERTISSEMENT**  **Risque de choc électrique.**

Le non-respect de ces instructions peut entraîner des risques d'incendies, des chocs électriques ou la mort.

Le cordon d'alimentation de cet appareil est équipé d'une fiche à trois broches (pour une mise à la terre) qui s'adapte à la prise de courant standard à 3 broches (pour une mise à la terre) pour minimiser les risques de chocs électriques par cet appareil.

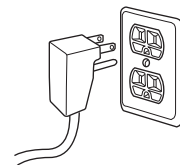
Faites vérifier la prise murale et le circuit électrique par un électricien qualifié pour s'assurer que le système est correctement mis à la terre.

Dans le cas d'une prise biphasée, l'installateur a la responsabilité et l'obligation de la remplacer par une prise triphasée correctement mise à la terre.

NE COUPEZ PAS OU N'ENLEVEZ PAS, SOUS AUCUN PRÉTEXTE, LA TROISIÈME BROCHE DE MISE À LA TERRE DU CORDON D'ALIMENTATION.

N'UTILISEZ PAS D'ADAPTATEUR POUR BRANCHER LE RÉFRIGÉRATEUR À UNE PRISE BIPHASÉE.

N'UTILISEZ PAS DE RALLONGE AVEC CET APPAREIL.





# Installation Instructions - Flush Inset Installation for Bottom Freezer Refrigerator

## CONEXIÓN A TIERRA DEL REFRIGERADOR

### ⚠ ADVERTENCIA Riesgo de Descarga Eléctrica

Si no se siguen estas instrucciones, se podrá producir la muerte, incendios o descargas eléctricas.

El cable de corriente de este electrodoméstico cuenta con un enchufe de 3 cables (conexión a tierra) que se conecta a un tomacorriente de pared estándar de 3 cables (conexión a tierra) para minimizar el riesgo de posibles descargas eléctricas por parte del mismo.

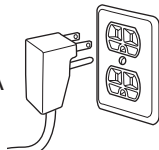
Contrate a un electricista calificado para que controle el tomacorriente y el circuito eléctrico, a fin de asegurar que el enchufe esté correctamente conectado a tierra.

En caso de contar con un tomacorriente de pared de 2 cables, es su responsabilidad y obligación reemplazarlo por un tomacorriente de pared de 3 cables correctamente conectado a tierra.

NUNCA, BAJO NINGUNA CIRCUNSTANCIA, CORTE NI ELIMINE EL TERCER CABLE (TIERRA) DEL CABLE DE CORRIENTE.

NO USE UN ENCHUFE ADAPTADOR PARA CONECTAR EL REFRIGERADOR A UN TOMACORRIENTE DE 2 PATAS.

NO USE UN PROLONGADOR CON ESTE ELECTRODOMÉSTICO.



## STEP 1 REMOVE PACKAGING

### ⚠ WARNING Tip Over Hazard.

The refrigerator is much heavier at the top than at the bottom—be careful when moving. When using a hand truck, handle from the side only.

### ⚠ AVERTISSEMENT Risque de basculement

Le réfrigérateur est beaucoup plus lourd en haut qu'en bas. Il faut être prudent lors des déplacements. Si un diable est utilisé, il faut soulever le réfrigérateur sur le côté seulement.

### ⚠ ADVERTENCIA Riesgo de Caídas

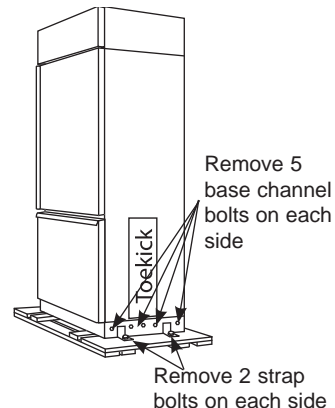
El refrigerador es mucho más pesado en su parte superior que en su parte inferior – tenga cuidado al moverlo. Al usar un carro manual, sosténgalo de costado únicamente.

- Carefully cut banding at the top and bottom, remove the outer carton.
- Slide out the back corner posts (2).
- Slide the carton off the top of the cabinet.

**NOTE:** IT IS NOT NECESSARY TO LAY THE CABINET DOWN IN ORDER TO REMOVE THE SKID!

## STEP 1 REMOVE PACKAGING (Cont.)

- The unit is secured to the skid with 4 slotted tie-down straps. Remove the six 7/16" bolts from the base channels in the tie-downs.
- Remove the six 7/16" bolts securing the straps to the skid.



**NOTE:** DO NOT ATTEMPT TO ROLL UNIT OFF SKID.

- The support blocks on the bottom of the refrigeration case must be removed before the refrigerator is taken off the skid or damage will occur. Carefully tilt the refrigerator and slide the blocks out from beneath.
- Remove the toekick and set aside for final installation.
- Lift the refrigerator off the skid with an appliance dolly. Handle from the sides.

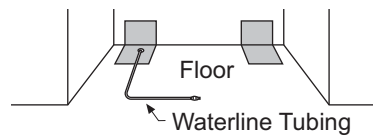
## STEP 2 INSTALL WATER LINE

### ⚠ WARNING Connect to potable water supply only.

### ⚠ AVERTISSEMENT Raccordez l'appareil à une alimentation d'eau potable seulement.

### ⚠ ADVERTENCIA Realice la conexión a un suministro de agua potable únicamente.

- A cold water supply is required for automatic icemaker operation. The water pressure must be between 40 and 120 p.s.i. (275-827 kPa).
- Route 1/4" OD copper or SmartConnect™ plastic tubing between house cold water line and the water connection location.
- Tubing should be long enough to extend to the front of the refrigerator. Allow enough tubing to accommodate bend leading into the water line connection.



**NOTE:** The only Monogram-approved plastic tubing is supplied in the SmartConnect™ Refrigerator Tubing kits. Do not use any other plastic water supply line because the line is under pressure at all times. Other types of plastic may crack or rupture with age and cause water damage to your home.

SmartConnect™ Refrigerator Tubing Kits are available in the following lengths:

- |                           |                          |
|---------------------------|--------------------------|
| 2' (.6 m) - WX08X10002    | 8' (2.4 m) - WX08X10006  |
| 15' (4.6 m) - WX08X1 0015 | 25' (7.6 m) - WX08X10025 |



# Installation Instructions - Flush Inset Installation for Bottom Freezer Refrigerator

## STEP 2 INSTALL WATER LINE (Cont.)

### Shut off the main water supply.

Turn on the nearest faucet long enough to clear the line of water.

- Install a shut-off valve between the icemaker water valve and cold water pipe in a basement or cabinet. The shut-off valve should be located where it will be easily accessible.
- Turn on the main water supply and flush debris. Run about a quart of water through the tubing into a bucket. Shut off water supply at the shut-off valve.

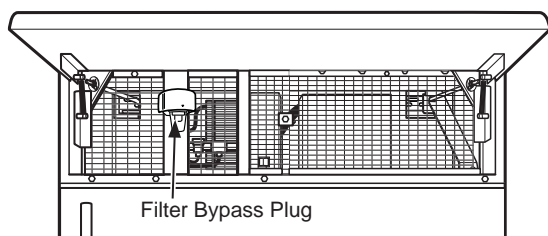
**NOTE:** Saddle type shut-off valves are included in many water supply kits, but are not recommended for this application.

**NOTE:** Commonwealth of Massachusetts Plumbing Codes 248CMR shall be adhered to. Saddle valves are illegal and use is not permitted in Massachusetts. Consult with your licensed plumber.

## STEP 2A WATER LINE INSTALLATION WITH A REVERSE OSMOSIS SYSTEM

### Skip this step when not using an RO System.

If the water supply to the refrigerator is from a Reverse Osmosis Water System, use the refrigerator's filter bypass plug. Using the refrigerator's water filtration cartridge with the RO filter can result in hollow ice cubes.



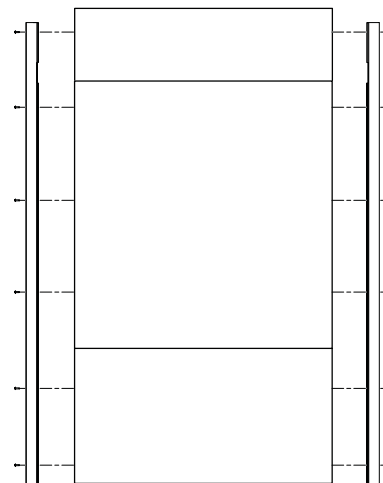
## STEP 3 INSTALL SIDE PANELS

Skip this step when not using side panels.

If you are using 1/4" (0.63 cm) side panels, they should be inserted into the case trim. Fasten the panels to the refrigerator with stick-on hook and loop fastener strips before setting refrigerator in place.

## STEP 4 INSTALL CASE TRIM

The unit arrives with case trim for standard installation attached. Flush installation case trim is provided in Kit ZKFN. Remove the factory installed case trim. Install new case trim using supplied right hand and left hand case trim pieces and case trim screws. Attach case trim to each side of case as shown in illustration using case trim screws in holes provided down each side of the case.



## STEP 5 ANTI-TIP PROCEDURE

### ⚠ WARNING



### Tip Over Hazard.

These refrigerators are top heavy, especially with any doors open, and must be secured to prevent tipping forward which could result in death or serious injury. Read and follow the entire installation instructions for securing the refrigerator with the anti-tip system.

### ⚠ AVERTISSEMENT



### Risque de

**basculement** Ces réfrigérateurs présentent une partie supérieure lourde, en particulier avec une porte ouverte; ils doivent donc être fixés pour prévenir le basculement vers l'avant et le risque concomitant de blessure grave ou fatale. Lisez et suivez les instructions d'installation complètes pour l'installation du système anti-basculement.

### ⚠ ADVERTENCIA



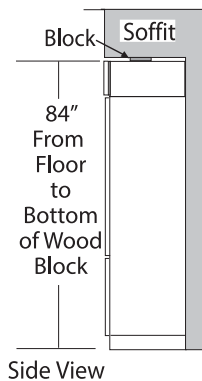
### Riesgo de Caídas

Estos refrigeradores son inestables, especialmente cuando una puerta se encuentre abierta, y deberán estar asegurados a fin de evitar caídas hacia adelante que podrían resultar en la muerte o en lesiones graves. Lea y siga las instrucciones de instalación en su totalidad para asegurar el refrigerador con el sistema anti volcaduras.

# Installation Instructions - Flush Inset Installation for Bottom Freezer Refrigerator

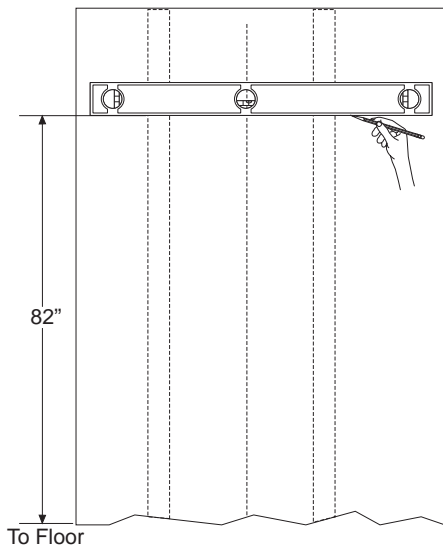
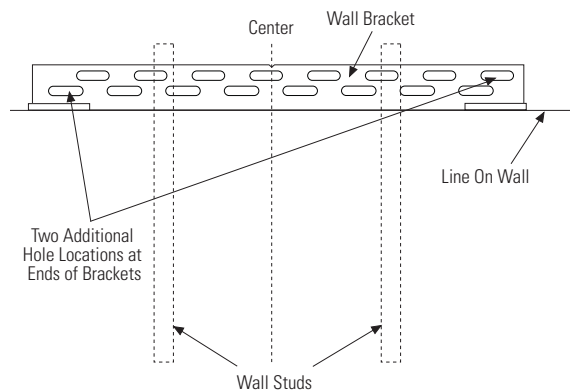
## STEP 5 ANTI-TIP PROCEDURE (Cont.)

- Cut a 1" (2.54 cm) x 4" (10.16 cm) block, 35" (88.9 cm) long.
- Measure and mark under the soffit, 5-1/4" (13.33 cm) from the front edge of the cabinet.
- Secure the wood block to under the soffit. From the bottom of the block to the finished floor should measure 84" (213.36 cm). See the illustration.
- The kit supplied with the unit contains 2 lag bolts and 4 toggles with bolts. The wall bracket will be attached to the wall in 4 places.
- Measure the opening where the unit is to be installed. Mark the center with a vertical line.
- Measure up 82" (208.28 cm) from the floor. Mark this point on the wall.
- Using a level, draw a horizontal line on the wall at this height.



The anti-tip wall bracket has a series of holes. Select 2 holes that match with the located studs. Make sure the holes selected are on the center of the studs. Mark the wall at these points.

- Mark an additional hole at each end of the bracket. If one of the studs is closer to the end of the bracket, mark an additional hole towards the center of the bracket.

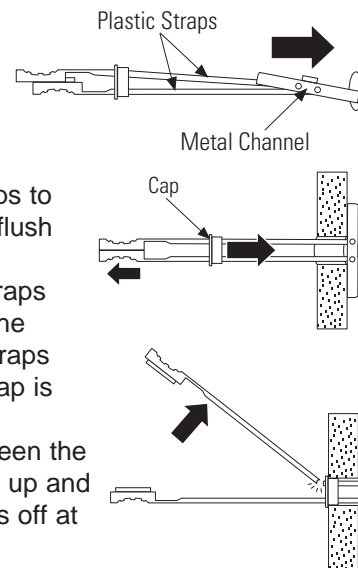


- Drill 1/2" (1.27 cm) holes into the wall board at the locations marked for the toggles to be mounted (not the stud markings).
- Drill 3/16" (0.47 cm) holes into wooden studs where marked. If steel stud construction, drill 1/2" (1.27 cm) holes into the studs where marked. You will use 2 toggles with the metal studs.

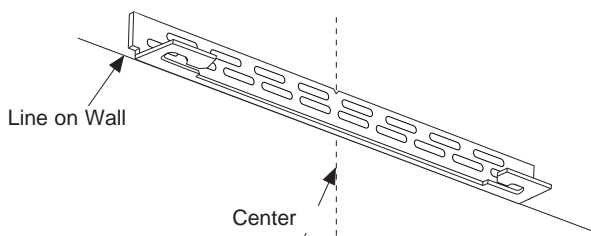
### Install Wall Toggles:

The wall toggles and bolts can be ordered as Service Kit #WR49X10193. Wall toggles are installed in the drywall and metal studs for stability. Install the wall toggles as follows:

- Drill 1/2" (1.27 cm) holes at the wall markings made in the holes at the ends of the wall bracket.
- Hold the metal channel flat against the plastic straps and slide the channel through the hole.
- Gently pull back at the ends of the plastic straps to make the channel rest flush behind the wall.
- Hold the ends of the straps in one hand and slide the plastic cap along the straps until the flange of the cap is flush with the wall.
- Place your thumb between the plastic straps and bend up and down to snap the straps off at the wall.



- Locate at least 2 studs on the back wall. Mark these points on the horizontal line.
- Place the bottom of the wall bracket with tabs on the horizontal line. Align the center notch on the bracket with the center line on the wall.

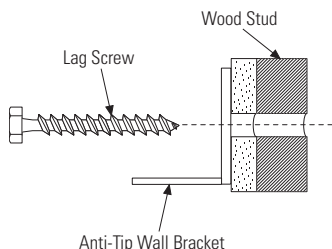


# Installation Instructions - Flush Inset Installation for Bottom Freezer Refrigerator

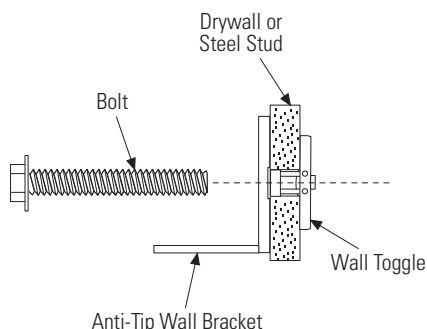
## STEP 5 ANTI-TIP PROCEDURE (Cont.)

### Install Screws and Bolts:

- Have someone hold the wall bracket centered in place with each of the holes aligned with the correct opening in the bracket and level with the horizontal line.
- Insert the lag screws through the bracket and into the stud. Tighten with a wrench.

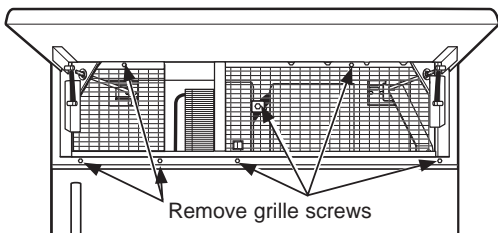


- Insert the bolts into the toggle by hand until snug. Tighten with a wrench.



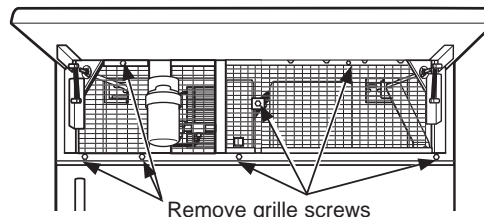
### Remove Grilles for Access to Anti-Tip Locking Hooks

- Open the access door.
- Remove the 4 screws from the grille on the right and 3 from the grill on the left.
- Pull the bottom of each grille forward, down and out to remove.



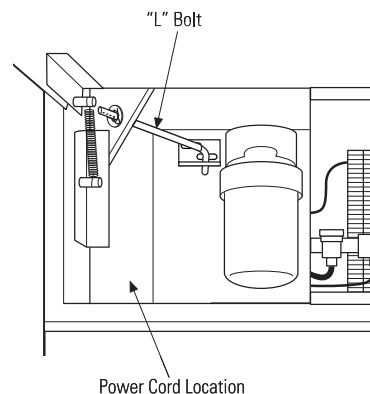
### Freezer Unit

- Open the access door.
- Remove the 4 screws from the grille on the right and 3 from the grill on the left.
- Pull the bottom of each grille forward, down and out to remove.



### Power Cord

Locate the power cord inside the left cavity. If it has not been adjusted so the plug is easily accessible, do so now.



### Move Unit into Final Position

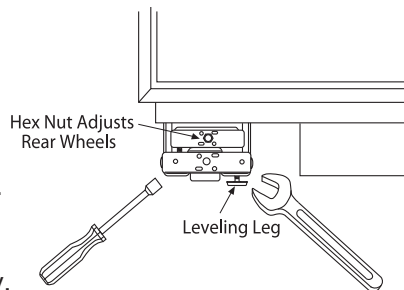
- Move appliance toward its final installed location. Align the tabs on the wall bracket with the openings in the back of the unit.
- The unit has "L" bolts in the upper left and right corners inside of the access compartment. These bolts will interlock with the wall bracket and secure the unit using the washers and hair pin cotters in the hardware kit once the unit has been leveled and is in the final position.

# Installation Instructions - Flush Inset Installation for Bottom Freezer Refrigerator

## STEP 6 LEVEL REFRIGERATOR

All models have 4-point leveling. The front is supported by leveling legs, the rear is supported by adjustable wheels. Both are accessible from the front of the refrigerator.

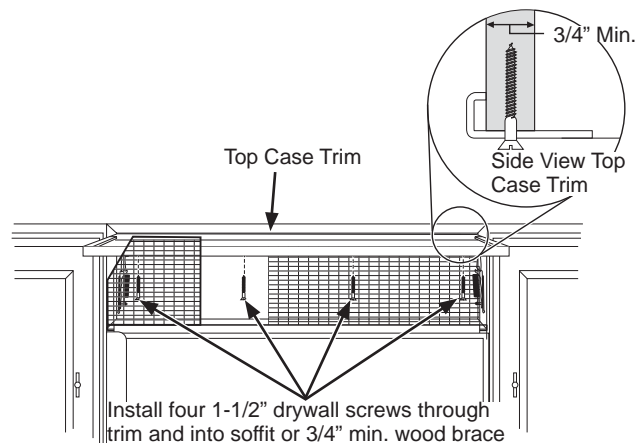
- To level the back of the refrigerator, turn the 7/16" hex nut located above the front wheels. Turn clockwise to raise or counterclockwise to lower the refrigerator.
- For front leveling, use a 1-1/4" (3.175 cm) open-end wrench.
- Adjust height of refrigerator to match installation cutout opening 83-1/2" (212.09 cm) to 84-1/2" (214.63 cm). The refrigerator should be level and plumb with cabinetry.



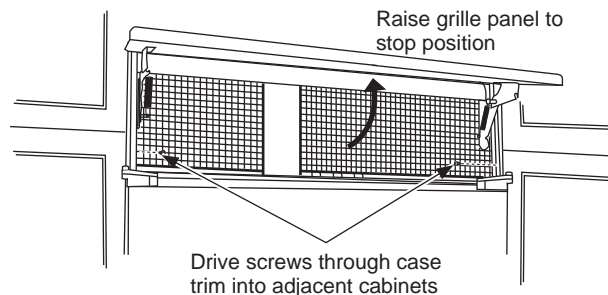
The rear leveling wheels and front leveling legs are limited to a maximum height adjustment of 1". If the installation requires more than 84-1/2" (214.63 cm) height, the installer should elevate the refrigerator on a sheet of plywood or runners. Cabinetry trim could also be added across the top of the opening to shorten the opening. If you attempt to raise the refrigerator more than 1" (2.54 cm), you will damage the front leveling legs and the rear leveling wheels.

## STEP 7 ALTERNATE ANTI-TIP PROCEDURE

The refrigerator must be secured to prevent tipping. If the anti-tip bracket cannot be used, this alternate method can be used to prevent the unit from tipping.



- Raise the grille panel to access case trim.
- Use a 3/16" (0.47 cm) bit to drill four evenly spaced clearance holes through the metal top case trim.



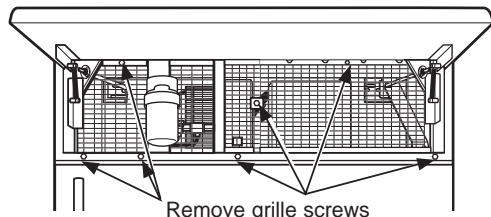
- Use a 1/16" bit to drill to pilot holes through the metal clearance holes and into the wood soffit. The holes should be centered in the soffit or a 3/4" min. wood brace. The brace spanning the enclosure must be securely fastened to cabinets on both sides.
- Install four, 1-1/2" (3.81 cm) drywall screws into the pilot holes.
- If no soffit above the unit, drill screws into adjacent cabinets through the side case trim.

# Installation Instructions - Flush Inset Installation for Bottom Freezer Refrigerator

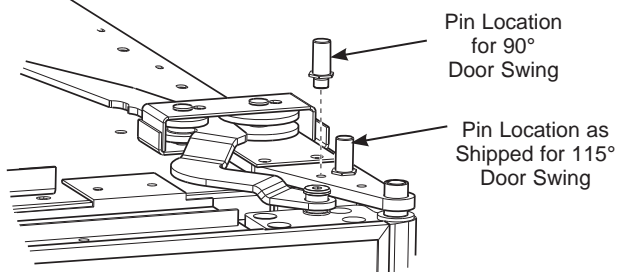
## STEP 8 ADJUST DOOR SWING

**NOTE:** This refrigerator has a 3-position door stop. When space does not allow the door to swing open fully to 115°, you may change the door swing to a 90° opening. **Skip this step if door opening is satisfactory for your installation situation.**

- Lift the grille panel to access the wire cover trim.
- Remove screws on both sides of the wire cover trim and rotate off.



- Use pliers to unscrew door stop and reinstall into the 90° or 130° (standard only) position.



- Reinstall the wire cover trim.

### ⚠ WARNING



#### Door Trim Pinch Point Hazard:

Improper installation can lead to a finger pinch point hazard between the side door trim and the cabinets when operating the door, especially with children. To minimize this risk you must follow the installation instructions for cabinet dimensions, trim assembly, and door stop angle.

### ⚠ AVERTISSEMENT



#### Risque de pincement de doigts :

Une installation incorrecte peut poser un risque de coincement de doigts entre la garniture de porte latérale et les armoires en actionnant la porte, en particulier pour les enfants. Pour réduire ce risque, vous devez suivre les instructions d'installation relatives aux dimensions d'armoire, au montage des garnitures et à l'angle de l'arrêt de porte.

### ⚠ ADVERTENCIA

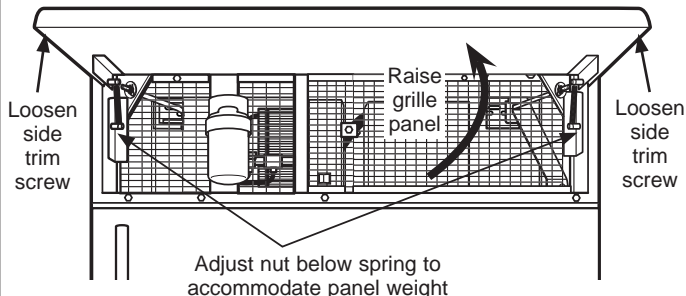


#### Riesgo de Lastimadura con el Marco de la Puerta :

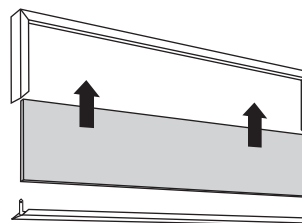
Una instalación inadecuada podrá conducir a riesgos de pellizcos de dedos entre el marco lateral de la puerta y los gabinetes al utilizar la puerta, especialmente con los niños. A fin de minimizar este riesgo, usted deberá seguir las instrucciones de instalación para dimensiones de gabinetes, ensambles de marcos y ángulos de detención de puertas.

## STEP 9 INSTALL GRILLE PANEL

- Raise the grille panel to stop position.
- Loose screws on side trim behind frame. Remove bottom trim.



- Slide panel over the metal backer panel and into the trim.

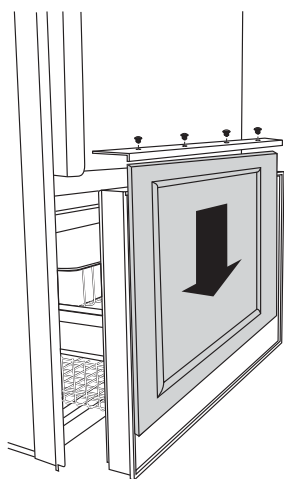
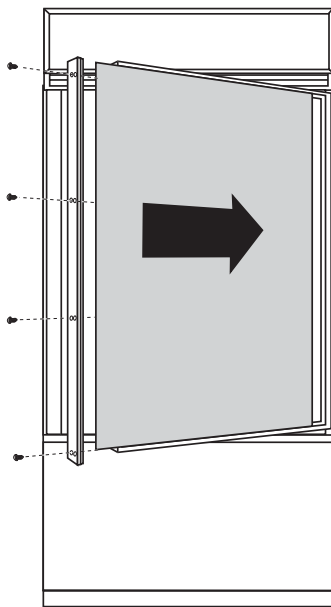


- If necessary, tap with a wood block until panel slips under the top trim piece.
- Reassemble bottom trim. Tighten screws.

# Installation Instructions - Flush Inset Installation for Bottom Freezer Refrigerator

## STEP 10 INSTALL DOOR PANELS AND CUSTOM HANDLES

- Open door to 90°.
- Remove the 8 screws holding the trim, then lift off the trim. Retain the screws.



- Custom handles must be used for flush installation. The handle must be properly secured to the overlay panel before sliding the panel into the trim.
- The cabinet manufacturer will supply the custom handle and hardware.
- Slide the overlay panel into the door trim.
- Reinstall trim by securing with all 8 screws retained in previous steps.
- Follow the same procedures to install the drawer panel.

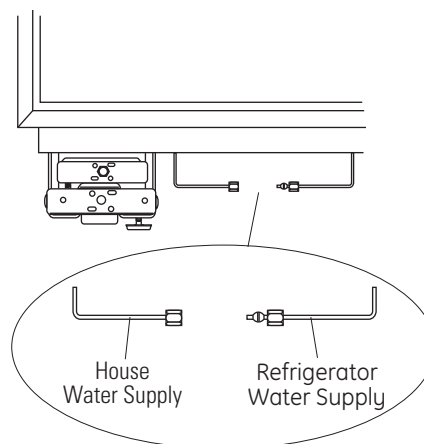
## STEP 11 CONNECT WATER SUPPLY

**⚠ WARNING** Connect to potable water supply only.

**⚠ AVERTISSEMENT** Raccordez l'appareil à une alimentation d'eau potable seulement.

**⚠ ADVERTENCIA** Realice la conexión a un suministro de agua potable únicamente.

- Locate and bring tubing to the front of the cabinet.
- Turn the water on to flush debris from line. Run about a quart of water through tubing into a bucket, then shut off water.



### Copper Tubing:

- Slip a 1/4" nut and ferrule (provided) over both ends of the copper tubing. Insert tube into the union fitting on the unit and tighten nut to union.
- Turn on the water to check for leaks.

### SmartConnect™ Tubing:

**NOTE:** The only Monogram-approved plastic tubing is supplied in the SmartConnect™ Refrigerator Tubing kits. Do not use any other plastic water supply line because the line is under pressure at all times. Other types of plastic may crack or rupture with age and cause water damage to your home.

- Insert the molded end of the tubing into the refrigerator connection. Tighten the compression nut until it is just hand tight.
- Tighten one additional turn with a wrench. Overtightening can cause leaks!
- Turn on the water to check for leaks.

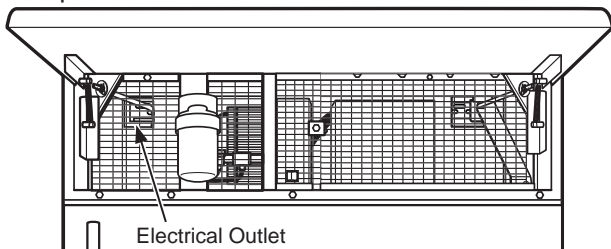
**NOTE:** Make sure excess tubing length does not interfere with drawer closing or toekick installation.



# Installation Instructions - Flush Inset Installation for Bottom Freezer Refrigerator

## STEP 12 CONNECT POWER

- Check to be sure the power cord is plugged into the receptacle.



- Check to make sure power to refrigerator is on by opening refrigerator door to see if interior lights are on.
- The temperature controls are preset at 37°F (-13.89°C) for the fresh food section and 0°F (-17.78°C) for the freezer.
- Allow 24 hours to stabilize before making adjustments.

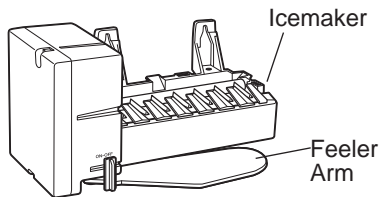
## STEP 13 START ICEMAKER

**CAUTION** Avoid contact with the moving parts of the ejector mechanism, or with the heating element (located on the bottom of the icemaker) that releases the cubes. Do not place fingers or hands on the automatic ice making mechanism while the freezer is plugged in.

**ATTENTION** Évitez tout contact avec les pièces mobiles du mécanisme d'éjection, ou l'élément chauffant (situé dans le bas de la machine à glaçons) qui libère les glaçons. Ne placez pas les doigts ou les mains sur le mécanisme de production de glace automatique lorsque le congélateur est branché dans la prise électrique.

**PRECAUCIÓN** Evite el contacto con las partes en movimiento del mecanismo expulsor o con el elemento de calefacción (ubicado en la parte inferior de la máquina de hielo) que expulsa los cubos. No coloque los dedos ni las manos en el mecanismo de la máquina de hielo automática mientras el freezer se encuentre enchufado.

- The icemaker will begin operation automatically.
- Be sure nothing interferes with the sweep of the feeler arm.
- Discard the first full bucket of ice cubes.
- To turn the icemaker off, see Standard Installation.

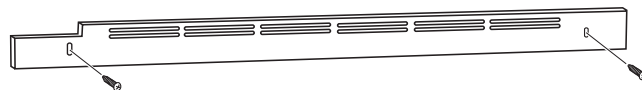


## STEP 14 INSTALL TOEKICK

- A custom toekick can be installed to match or complement the surrounding cabinetry.

**IMPORTANT:** The custom toekick must NOT cover the horizontal vent slots of the factory toe kick provided with the original refrigerator and should be 1-5/8" longer on each side. Final height should be cut once the unit is leveled.

- Attach the toekick assembly to the refrigerator using the supplied screws (2).

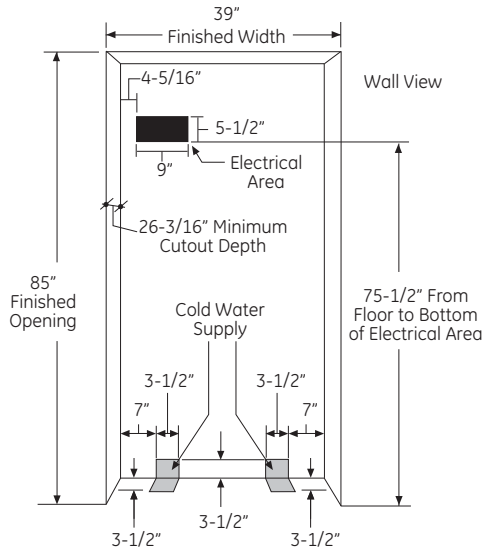




# **Instructions for All-Refrigerator and All-Freezer Installation**

# Design Guide - Flush Inset Installation for All-Refrigerator and All-Freezer

## THE INSTALLATION SPACE



### Water And Electrical Locations

Electrical and water supply must be located as shown.

### Cutout Depth Beneath a Soffit:

When installed beneath a soffit, the soffit cannot exceed the 26-3/16" (66.52 cm) installation depth shown.

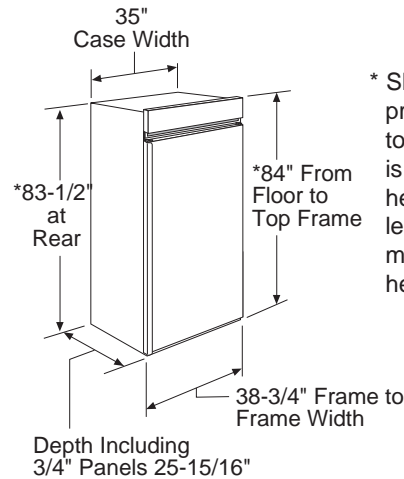
### The Cutout Depth Must Be 26-3/16" (66.52 cm)

Wooden cleats are required for flush installation. See *Side Cleats* on page 48.

### Additional Specifications

- A 115 volt 60Hz., 15 or 20 amp power supply is required. An individual properly grounded branch circuit or circuit breaker is recommended. Install a properly grounded 3-prong electrical receptacle recessed into the back wall. Electrical must be located on rear wall as shown.
- Water line can enter the opening through the floor or back wall. The water line should be 1/4" O.D. copper tubing or QuickConnect™ kit between the cold water line and water connection location, long enough to extend to the front of the unit. Installation of an easily accessible shut-off valve in the water line is required.

## DIMENSIONS AND CLEARANCES

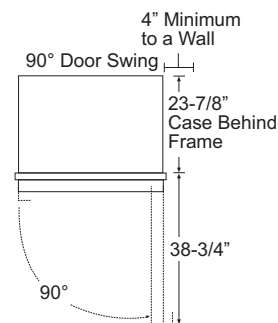


\* Shipping height. The product can be adjusted to fit into a cutout that is 85" (215.9 cm) max. height. Use leveling legs and wheels for a maximum 1" (2.54 cm) height adjustment.

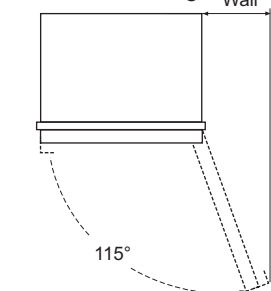
### Product Clearances

These units are equipped with a 3-position door stop. The factory set 115° door swing can be adjusted to 90° if clearance to adjacent cabinets or walls is restricted.

#### 90° Door Swing



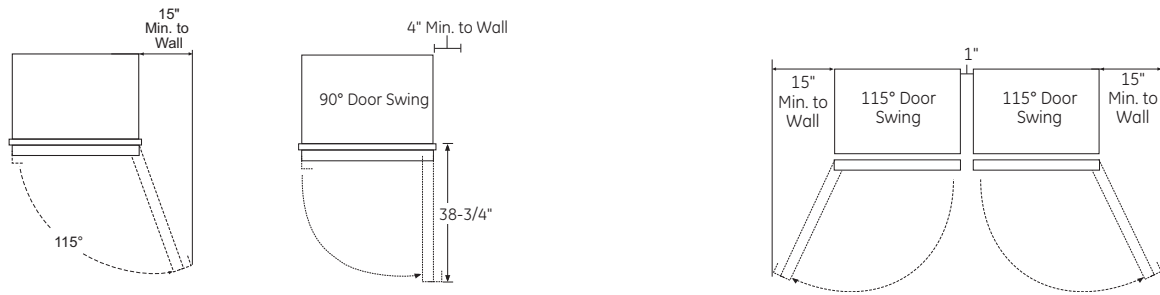
#### 115° Door Swing



For a 90° door swing, allow 4-5/8" (10.16 cm) minimum clearance to a wall for framed and stainless steel models. If the 90° doorstop position is used, pan access is maintained but pan removal is restricted.

# Design Guide - Flush Inset Installation for All-Refrigerator and All-Freezer

## CLEARANCES



These units are equipped with a 3-position door stop. The factory set 115° door swing can be adjusted to 90° if clearance to adjacent cabinets or walls is restricted.

### When Installed into a corner:

Allow 15" (38.1 cm) for a full 115° door swing and pan removal. Allow 4" (10.16 cm) min. clearance when door swing is adjusted to a 90° opening for pan access, but pan removal is restricted.

### Clearances for Multiple Single Door Installations

In a side-by-side installation of a left and right door swing product, a 1" (2.54 cm) clearance between the units is required. Order ZKBFN720NII Unification Kit for an integrated appearance on 2 custom panel models installed side-by-side.

## INSTALLATION

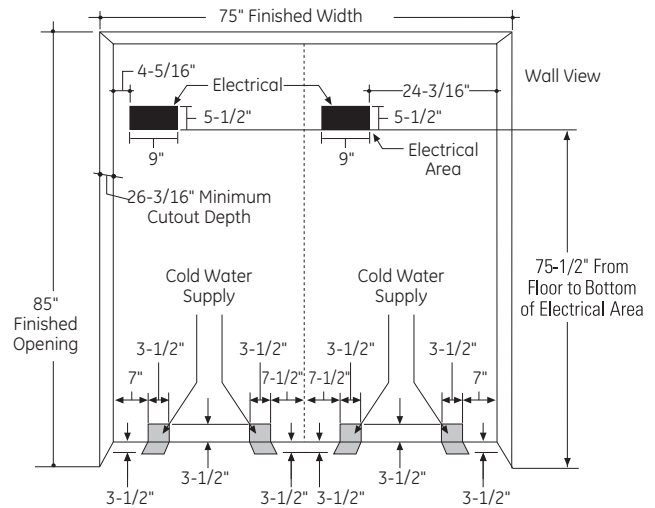
### ZKBFN720NII Unification Kit

- If you are installing two units, side by side, the installation space must be 75" (190.5 cm) wide.

**Note:** Additional cutout width may be required when side panels are used. Add side panel thickness to the finished cutout to calculate rough-in width.

- The water and electrical locations for each product must be located as shown.
- A separate 115V, 60Hz., 15 or 20 amp power supply is recommended for each product.

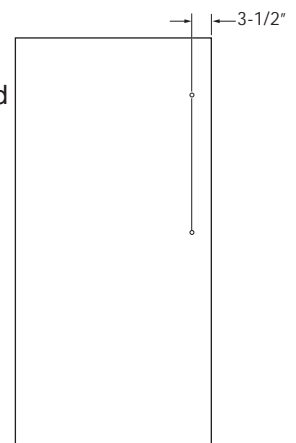
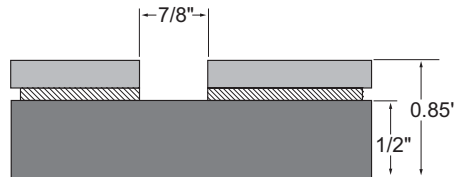
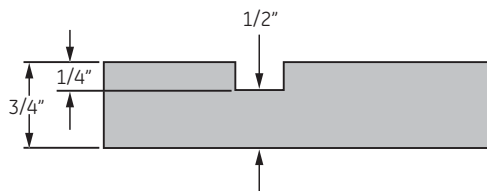
**Note:** When implementing a dual installation, the factory installed standard case trim should be used on the handle side of each unit and the flush case trim supplied with Flush Inset Kit ZKFN should be used on the hinge side of each unit.



## CUSTOM HANDLE DESIGN GUIDE

Custom handles must be used for flush installation. For custom handle installation, counterbore holes in rear of decorative panels must ensure 1/2" (1.27 cm) material thickness remains for handle support. **NOTE:** The counterbore must not exceed 1" (2.54 cm) in diameter.

Minimum distance from handle side edge to handle center should be 3-1/2" (8.89 cm) as shown.



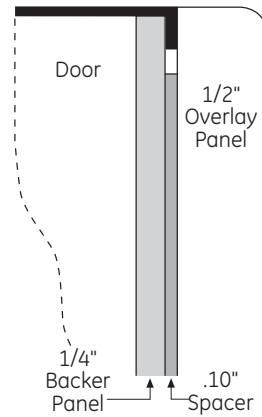
# Design Guide - Flush Inset Installation for All-Refrigerator and All-Freezer

## 1/2" (1.27 cm) OVERLAY PANEL DIMENSIONS

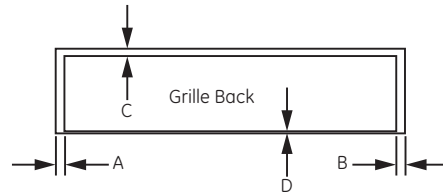
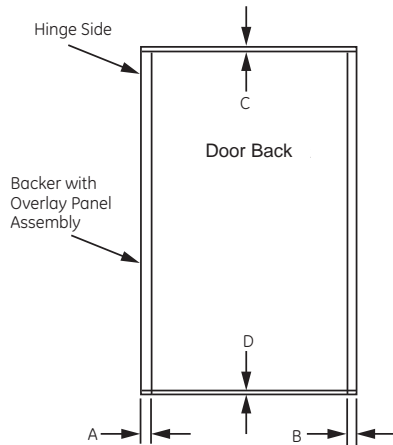
For a more custom appearance, overlay panels may be installed on trimmed models. The overlay panel must be secured to a 1/4" (.63 cm) thick backer panel which slides into the trim. A spacer panel 0.10" (0.25 cm) thick must be placed between the overlay and backer panel.

### Assemble the panels with glue and screws:

- Center the spacer panel on the backer panel, left to right and top to bottom. Secure the panels with glue.
- Refer to the following chart for locating the backer panel to the overlay panel. Secure the overlay panel to the backer panel with glue and screws. Screws must be countersunk into the backer panel.



$$.250" + .10" + .50" = .850" \text{ Total Panel Thickness} \\ (0.635 \text{ cm} + 0.254 \text{ cm} + 1.27 \text{ cm} = 2.159)$$



	A	B	C	D
Door Panel	2-1/16" (5.24 cm)	2-1/16" (5.24 cm)	3/16" (0.47 cm)	1/4" (0.63 cm)
Grille Panel	2-1/16" (5.24 cm)	2-1/16" (5.24 cm)	1-7/16" (3.65 cm)	1/8" (0.31 cm)

**IMPORTANT NOTE:** Maximum total weight for the assembled panels:

- Fresh food door panel – 75 lbs. (34.02 cm)
- Grille Panel – 18 lbs. (8.16 cm)

### Panel Dimensions

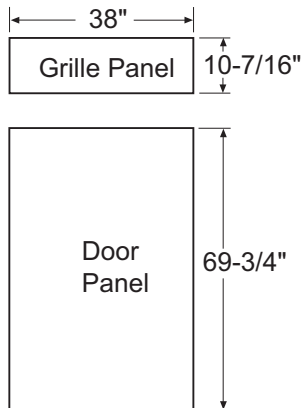
	Fresh Food Door	Grille
1/4" (0.63 cm) Backer Panel	69-5/16" x 33-7/8" (176.05 cm x 86.04 cm)	8-7/8" x 33-7/8" (22.54 cm x 86.04 cm)
.10" (0.25 cm) Spacer Panel	67-15/16" x 32-1/2" (172.56 cm x 82.55 cm)	7-5/8" x 32-1/2" (16.37 cm x 82.55 cm)
1/2" (1.27 cm) Overlay Panel	69-3/4" x 38" (177.16 cm x 96.52 cm)	10-7/16" x 38" (26.51 cm x 96.52 cm)

# Design Guide - Flush Inset Installation for All-Refrigerator and All-Freezer

## 3/4" (1.9 cm) DECORATIVE PANEL DIMENSIONS

For a more custom appearance, overlay panels may be installed to give a flush appearance with surrounding cabinets. The overlay panel must be 3/4" (1.9 cm) thick. Panel attaches to included brackets to provide mounting to the appliance door.

**NOTE:** We recommend that decorative panels have inside corners and edges rounded or beveled by cabinet maker to avoid sharp edges on the panels. Edges to be treated should include the top, bottom and hinge side edges.



**IMPORTANT NOTE:** Maximum total weight for the assembled panels:

- Door panel – 67 lbs. (30.39 kg)
- Grille Panel – 18 lbs. (8.16 kg)

### ⚠ WARNING



#### Door Trim Pinch Point Hazard

Improper installation can lead to a finger pinch point hazard between the side door trim and the cabinets when operating the door, especially with children. To minimize this risk you must follow the installation instructions for cabinet dimensions, trim assembly, and door stop angle.

### ⚠ AVERTISSEMENT



#### Risque de pincement de doigts

Une installation incorrecte peut poser un risque de coincement de doigts entre la garniture de porte latérale et les armoires en actionnant la porte, en particulier pour les enfants. Pour réduire ce risque, vous devez suivre les instructions d'installation relatives aux dimensions d'armoire, au montage des garnitures et à l'angle de l'arrêt de porte.

### ⚠ ADVERTENCIA



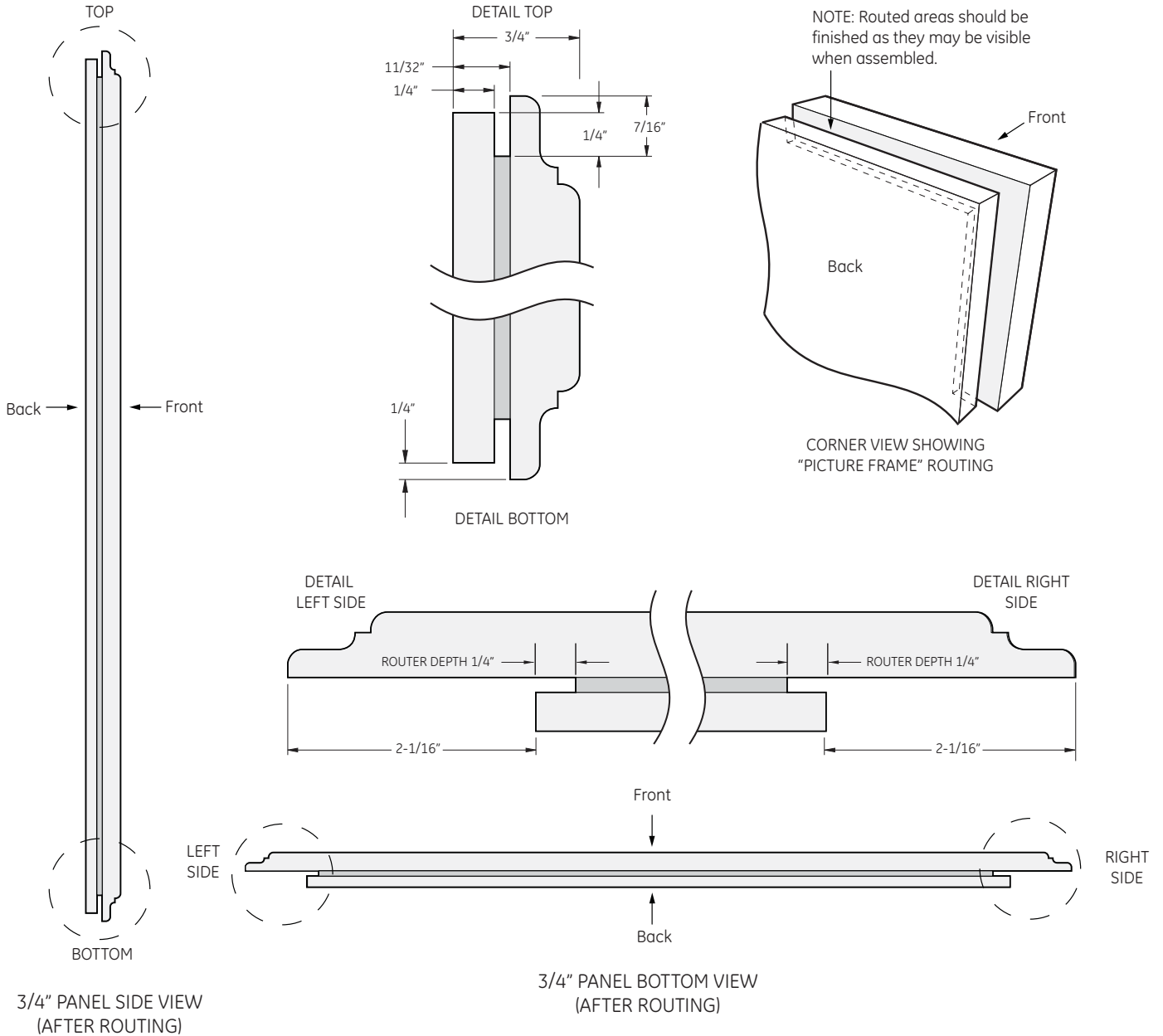
#### Riesgo de Lastimadura con el Borde de la Puerta

Una instalación inadecuada puede conducir a riesgos de pellizcos de dedos entre el borde lateral de la puerta y los gabinetes al utilizar la puerta, especialmente con los niños. A fin de minimizar este riesgo, usted deberá seguir las instrucciones de instalación para dimensiones de gabinetes, ensambles de bordes y esquinas de detención de puertas.

# Design Guide - Flush Inset Installation for All-Refrigerator and All-Freezer

## 3/4" (1.9 cm) RAISED DOOR PANEL ROUTING

For 3/4" (1.9 cm) raised door panel, routing is required. The router depth is 1/4" (0.63 cm) all the way around the panel back. Additional panel width reductions are required per the diagrams below. This will create a "picture frame" routing that will slide onto the attached door trim.

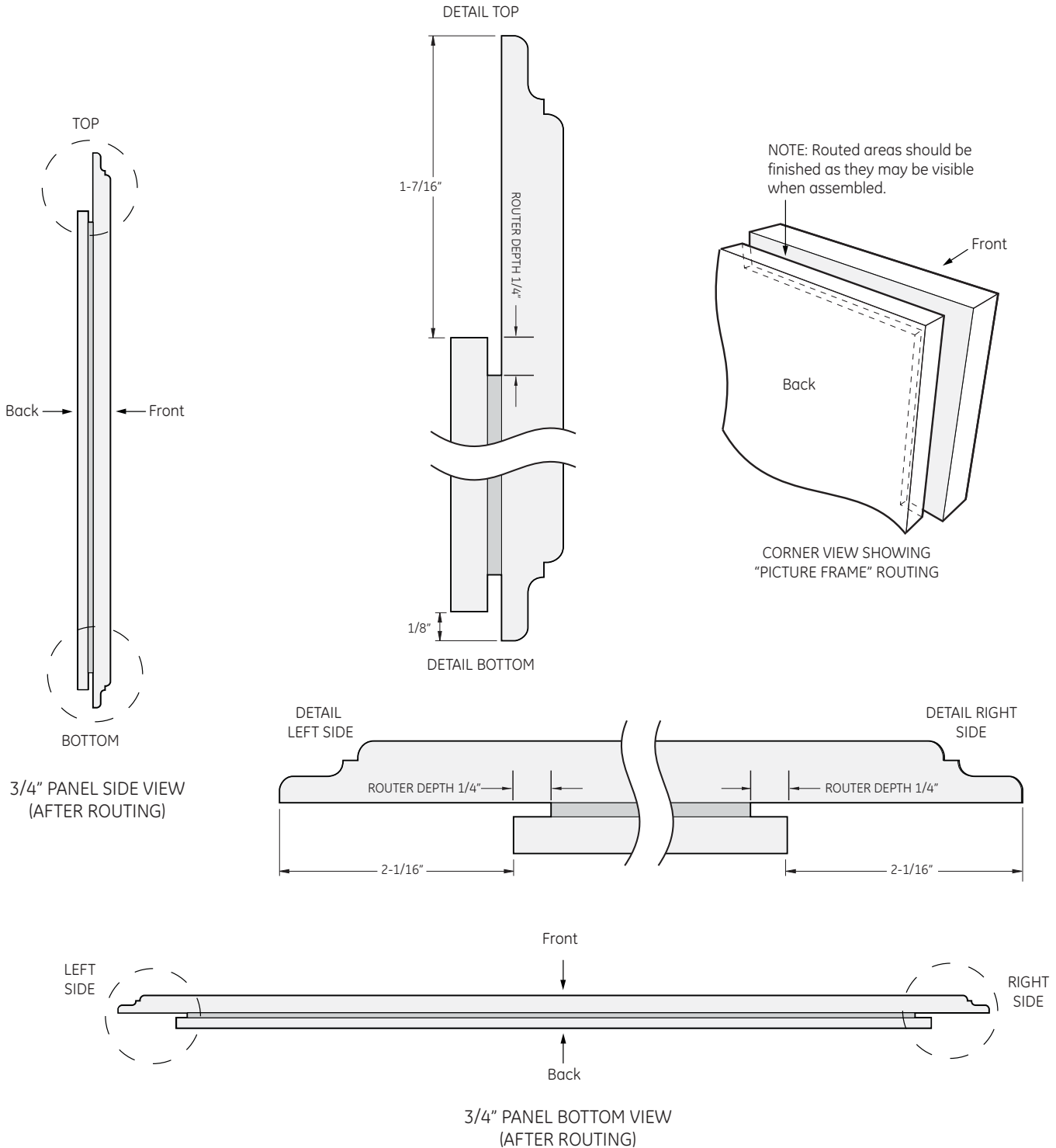


**NOTE:** For panels constructed with rails and stiles (5-panel), the minimum width is 3" (7.62 cm) for rails and 4" (10.16 cm) for stiles.

# Design Guide - Flush Inset Installation for All-Refrigerator and All-Freezer

## 3/4" (1.9 cm) RAISED GRILLE PANEL ROUTING

For 3/4" (1.9 cm) raised grille panel, routing is required. The router depth is 1/4" (0.63 cm) all the way around the panel back. Additional panel width reductions are required per the diagrams below. This will create a "picture frame" routing that will slide onto the attached grille trim.

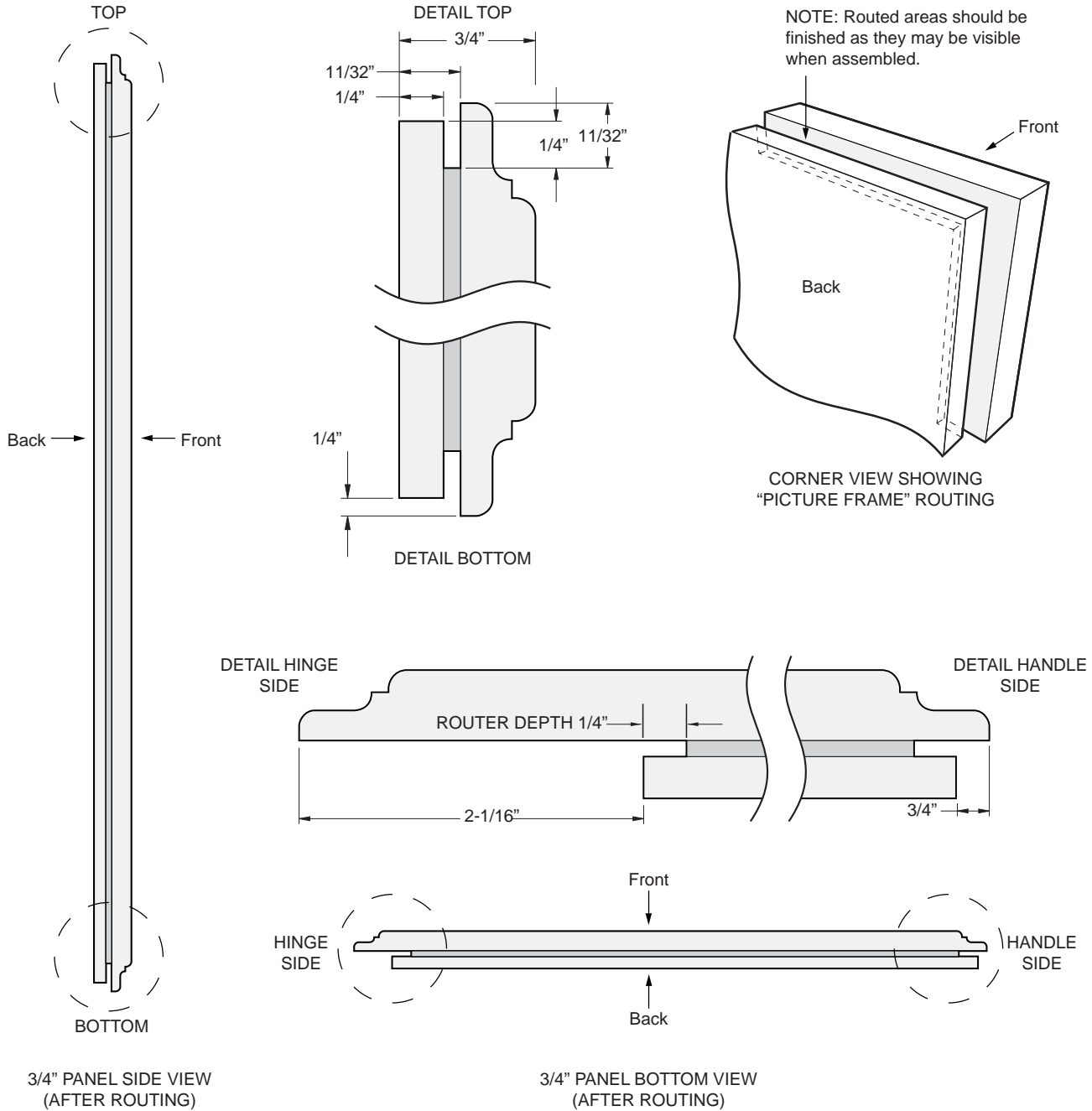


**NOTE:** For panels constructed with rails and stiles (5-panel), the minimum width is 3" (7.62 cm) for rails and 4" (10.16 cm) for stiles.



# Design Guide - Flush Inset Installation for All-Refrigerator and All-Freezer

## 3/4" (1.9 cm) RAISED DOOR PANEL ROUTING FOR UNIFIED INSTALLATION



# Design Guide - Flush Inset Installation for All-Refrigerator and All-Freezer

## INSTALLATION

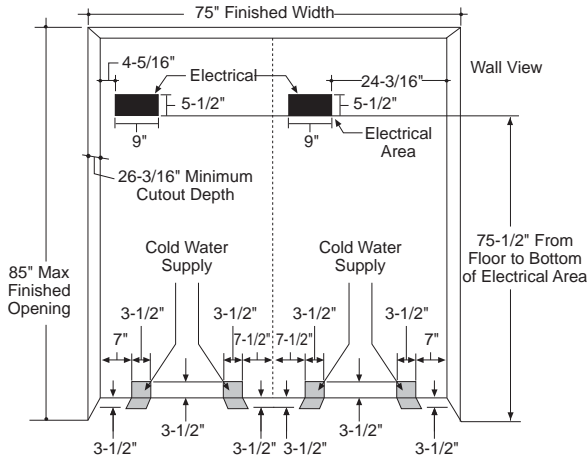
### ZKBFN720NII and ZKBSN720NSS Unification Kit

- If you are installing two units, side by side, the installation space must be 75" (190.5 cm) wide.

**Note:** Additional cutout width may be required when side panels are used. Add side panel thickness to the finished cutout to calculate rough-in width.

- The water and electrical locations for each product must be located as shown.
- A separate 115V, 60Hz., 15 or 20 amp power supply is recommended for each product.

**NOTE:** When implementing a dual installation, the factory installed standard case trim should be used on the handle side of each unit and the supplied flush case trim should be used on the hinge side of each unit.

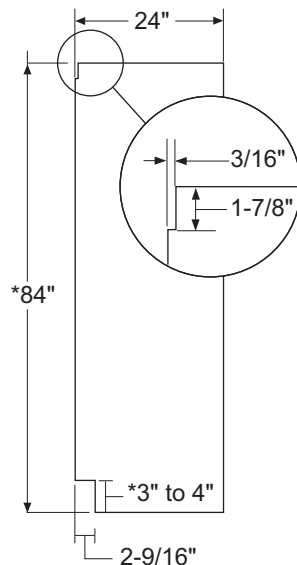


## SIDE PANELS

Side panels must be used whenever the sides of the unit will be exposed. The 1/4" (0.63 cm) side panels will slip into the side case trim. Secure the panels to the unit with stick-on hook and loop fastener strips. Order the side panels from the cabinet manufacturer.

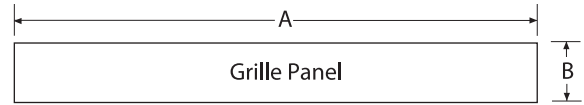
- Cut a notch in the top front corner as shown to allow clearance for corner keys in the front side trim.

\* Depending on installation height.



## ZKBFN720NII Unification Kit

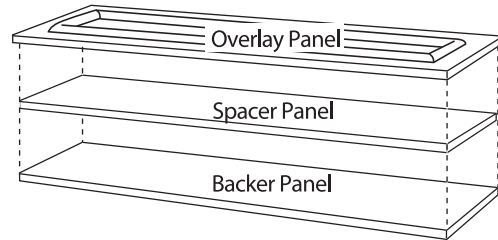
The ZKBFN720NII Unification Kit provides for the installation of a framed or overlay grille panel.



**NOTE:** For 3/4" (1.91 cm) panels, use the same routing instructions as single installation, page 45.

Framed Panel Dimensions		
3/4" (1.91 cm)	A (Width)	B (Height)
Routed Panel	74" (187.96 cm)	10-7/16" (26.51 cm)
Overlay Panel Dimensions		
1/4" (0.63 cm)	A (Width)	B (Height)
Backer Panel	69-7/8" (177.48 cm)	8-7/8" (22.54 cm)
0.10" (0.25 cm)		
Spacer Panel	68-1/2" (173.99 cm)	7-5/8" (19.37 cm)
1/2" (1.27 cm)		
Smooth Panel	74" (187.396 cm)	10-7/16" (26.51 cm)

**IMPORTANT NOTE:** The maximum weight for the unified grill is 25 (11.34 kg) pounds.



Assemble the overlay panels in the same manner as the door panel.

## CUSTOM TOEKICK DIMENSION

To make a custom toekick, use the supplied toekick (H) as a template from the unification kit. The Custom toekick will need to be 1-5/8" longer on both ends from the supplied toekick (H) from the unification kit.

## UNIFIED DOOR PANEL DIMENSIONS

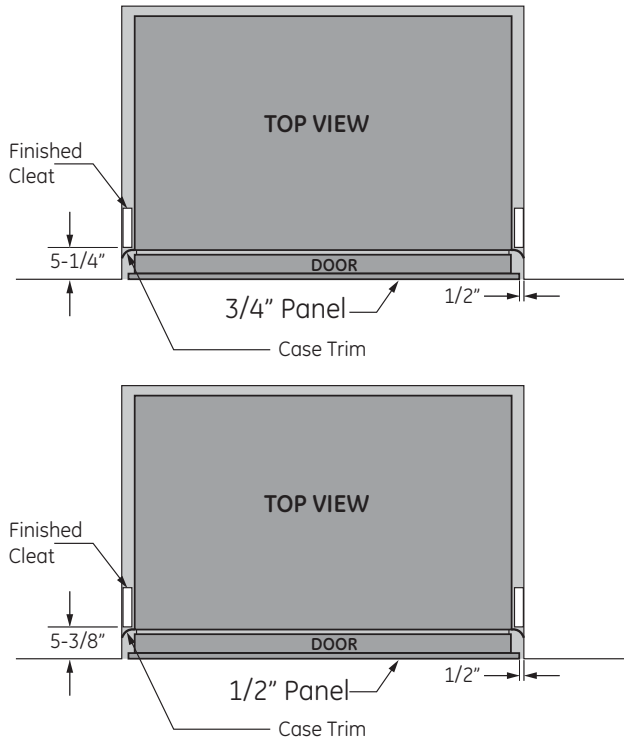
Door panel dimensions for dual installation will be 69-3/4" (177.16 cm) x 36-7/8" (93.66 cm). For 3/4" (1.90 cm) panels follow the same routing procedure per instructions on page 46.

# Installation Instructions - Flush Inset Installation for All-Refrigerator and All-Freezer

## SIDE CLEATS

Wood cleats are required to be installed vertically down both sides of the cabinet opening to provide depth stop for the refrigerator when installed into the opening.

The cleat should be installed per the diagrams below based on the type of panel being used.



## REFRIGERATOR LOCATION

- Do not install the refrigerator where the temperature will go below 55°F (13°C). It will not run often enough to maintain proper temperatures.
- Do not install the refrigerator where temperatures will go above 100°F (37°C). It will not perform properly.
- Do not install the refrigerator in a location exposed to water (rain, etc.) or direct sunlight.
- Install it on a floor strong enough to support it fully loaded.

# Installation Instructions - Flush Inset Installation for All-Refrigerator and All-Freezer

## TOOLS AND MATERIALS REQUIRED

- Tin snips to cut banding
- #2 Phillips screwdriver
- Stepladder
- Drill and 1/2", 3/16" bits
- Bucket
- 1/4", 1/2", 5/16", 7/16" socket
- Level
- Safety glasses
- Appliance hand truck
- Pliers
- Tubing cutter
- Stud finder
- 7/16" and 1-1/4" open-end wrench
- 1/4" copper water line tubing or SmartConnect™ Refrigerator Tubing kits
- Water shut-off valve (optional but recommended)
- Custom panels for door and grille panel
- Screws to secure unit to cabinetry
- Stick-on hook and loop fastener strips for 1/4" (0.63 cm) side panels

## HARDWARE SUPPLIED WITH UNIT

- Water filter bypass plug
- 2 Hair Pin Cotter
- Anti-Tip brackets
- 4 washers
- 3 lag screws
- 5 toggles with bolts

## FLOORING

For proper installation, this product must be placed on a level surface of hard material that is at the same height as the rest of the flooring. This surface should be strong enough to support a fully loaded refrigerator or freezer, or approximately 1,200 lbs. per unit.

**NOTE:** Protect the finish of the flooring. Cut a large section of the cardboard carton and place under the product where you are working.

**NOTE:** Not recommended for installation on carpeted flooring.

## GROUNDING THE UNIT

### **⚠ WARNING** **Electrical Shock Hazard.**

Failure to follow these instructions can result in death, fire, or electrical shock.

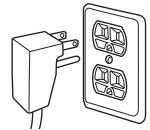
The power cord of this appliance is equipped with a 3-prong (grounding) plug which mates with a standard 3-prong (grounding) wall receptacle to minimize the possibility of electric shock hazard from this appliance. Have the wall outlet and circuit checked by a qualified electrician to make sure the outlet is properly grounded.

## GROUNDING THE UNIT (Cont.)

Where a standard 2-prong wall outlet is encountered, it is your personal responsibility and obligation to have it replaced with a properly grounded 3-prong wall outlet. **DO NOT, UNDER ANY CIRCUMSTANCES, CUT OR REMOVE THE THIRD (GROUND) PRONG FROM THE POWER CORD.**

**DO NOT USE AN ADAPTER PLUG TO CONNECT THE REFRIGERATOR TO A 2-PRONG OUTLET.**

**DO NOT USE AN EXTENSION CORD WITH THIS APPLIANCE.**



## LA TERRE DE L'UNITÉ

### **⚠ AVERTISSEMENT** **Risque de choc électrique.**

Le non-respect de ces instructions peut entraîner des risques d'incendies, des chocs électriques ou la mort.

Le cordon d'alimentation de cet appareil est équipé d'une fiche à trois broches (pour une mise à la terre) qui s'adapte à la prise de courant standard à 3 broches (pour une mise à la terre) pour minimiser les risques de chocs électriques par cet appareil.

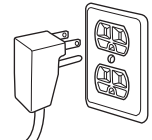
Faites vérifier la prise murale et le circuit électrique par un électricien qualifié pour s'assurer que le système est correctement mis à la terre.

Dans le cas d'une prise biphasée, l'installateur a la responsabilité et l'obligation de la remplacer par une prise triphasée correctement mise à la terre.

**NE COUPEZ PAS OU N'ENLEVEZ PAS, SOUS AUCUN PRÉTEXTE, LA TROISIÈME BROCHE DE MISE À LA TERRE DU CORDON D'ALIMENTATION.**

**N'UTILISEZ PAS D'ADAPTATEUR POUR BRANCHER LE RÉFRIGÉRATEUR À UNE PRISE BIPHASÉE.**

**N'UTILISEZ PAS DE RALLONGE AVEC CET APPAREIL.**



## CONEXIÓN A TIERRA DE LA UNIDAD

### **⚠ ADVERTENCIA** **Riesgo de Descarga Eléctrica**

Si no se siguen estas instrucciones, se podrá producir la muerte, incendios o descargas eléctricas.

El cable de corriente de este electrodoméstico cuenta con un enchufe de 3 cables (conexión a tierra) que se conecta a un tomacorriente de pared estándar de 3 cables (conexión a tierra) para minimizar el riesgo de posibles descargas eléctricas por parte del mismo.

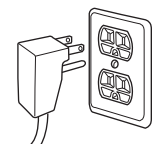
Contrate a un electricista calificado para que controle el tomacorriente y el circuito eléctrico, a fin de asegurar que el enchufe esté correctamente conectado a tierra.

En caso de contar con un tomacorriente de pared de 2 cables, es su responsabilidad y obligación reemplazarlo por un tomacorriente de pared de 3 cables correctamente conectado a tierra.

**NUNCA, BAJO NINGUNA CIRCUNSTANCIA, CORTE NI ELIMINE EL TERCER CABLE (TIERRA) DEL CABLE DE CORRIENTE.**

**NO USE UN ENCHUFE ADAPTADOR PARA CONECTAR EL REFRIGERADOR A UN TOMACORRIENTE DE 2 PATAS.**

**NO USE UN PROLONGADOR CON ESTE ELECTRODOMÉSTICO.**



# Installation Instructions - Flush Inset Installation for All-Refrigerator and All-Freezer

## STEP 1 REMOVE PACKAGING

### ⚠ WARNING



**Tip Over Hazard.** Product

is much heavier at the top than at the bottom – be careful when moving. When using a hand truck, handle from side only.

### ⚠ AVERTISSEMENT



**Risque de**

**basculement** Le produit est beaucoup plus lourd en haut qu'en bas. Il faut être prudent lors des déplacements. Si un diable est utilisé, il faut soulever le réfrigérateur sur le côté seulement.

### ⚠ ADVERTENCIA



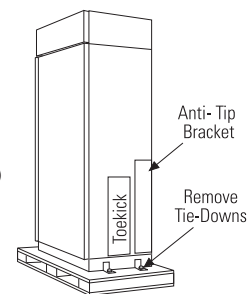
**Riesgo de Caída**

El producto es mucho más pesado en su parte superior que en su parte inferior – tenga cuidado al moverlo. Al usar un carro manual, sosténgalo de costado únicamente.

- Carefully cut banding at the top and bottom, remove outer carton.
- Slide out back corner posts (2).
- Slide carton off top of cabinet.

**NOTE: IT IS NOT NECESSARY TO LAY CABINET DOWN IN ORDER TO REMOVE SKID!**

**NOTE: DO NOT ATTEMPT TO ROLL UNIT OFF SKID.**



- The unit is secured to the skid with 4 slotted tie-down straps. Remove the four 5/16" bolts from the base channels in the tie-downs.
- Remove toe-kick and set aside for final installation.
- Lift the unit off the skid with an appliance dolly. Handle from the sides.
- Remove the four 7/16" bolts securing the tie-down brackets to the skid.

## STEP 2 INSTALL WATER LINE

### ⚠ WARNING

**Connect to potable water supply only.**

### ⚠ AVERTISSEMENT

Raccordez l'appareil à une alimentation d'eau potable seulement.

### ⚠ ADVERTENCIA

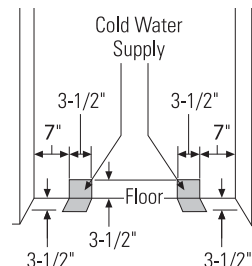
**Realice la conexión a un suministro de agua potable únicamente.**

- A cold water supply is required for automatic icemaker operation. The water pressure must be between 40 and 120 p.s.i.
- Route 1/4" OD copper or SmartConnect™ plastic tubing between house cold water line and the water connection location.
- Tubing should be long enough to extend to the front of the unit. Allow enough tubing to accommodate bend leading into the water line connection.

**NOTE:** The only Monogram approved plastic tubing is supplied in the SmartConnect™ Refrigerator Tubing kits. Do not use any other plastic water supply line because the line is under pressure at all times. Other types of plastic may crack or rupture with age and cause water damage to your home.

SmartConnect™ Refrigerator Tubing Kits are available in the following lengths:

2' (.6 m)	WX08X10002
8' (2.4 m)	WX08X10006
15' (4.6 m)	WX08X10015
25' (7.6 m)	WX08X10025



### Shut off the main water supply.

Turn on the nearest faucet long enough to clear the line of water.

- Install a shut-off valve between the icemaker water valve and cold water pipe in a basement or cabinet. **The shut-off valve should be located where it will be easily accessible.**
- Turn on the main water supply and flush debris. Run about a quart of water through the tubing into a bucket. Shut off water supply at the shut-off valve.

**NOTE:** Saddle type shut-off valves are included in many water supply kits. Before purchasing, make sure a saddle type valve complies with your local plumbing codes.

**NOTE:** Commonwealth of Massachusetts Plumbing Codes 248CMR shall be adhered to. Saddle valves are illegal and use is not permitted in Massachusetts. Consult with your licensed plumber.

## STEP 3 INSTALL SIDE PANELS

**Skip this step when not using side panels**

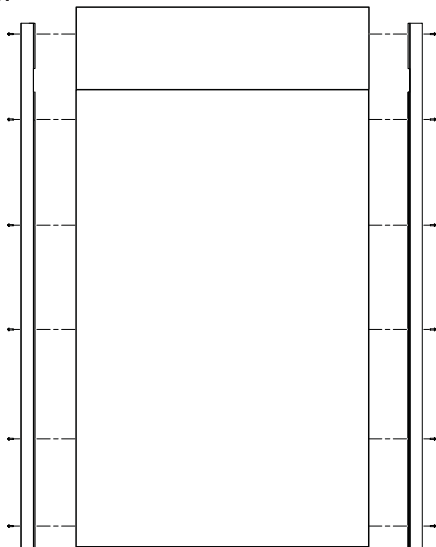
If you are using 1/4" (0.63 cm) side panels, they should be inserted into the case trim.

Fasten the panels to the unit with stick-on hook and loop fastener strips before setting unit in place.

# Installation Instructions - Flush Inset Installation for All-Refrigerator and All-Freezer

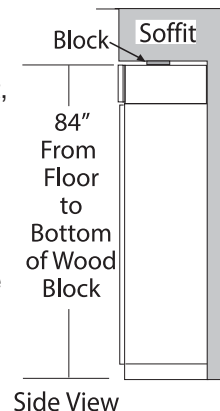
## STEP 4 INSTALL CASE TRIM

The unit arrives with case trim for standard installation attached. Flush installation case trim is provided in Kit ZKFN. Remove the factory installed case trim. Install new case trim using supplied right hand and left hand case trim pieces and case trim screws. Attach case trim to each side of case as shown in illustration using case trim screws in holes provided down each side of the case.

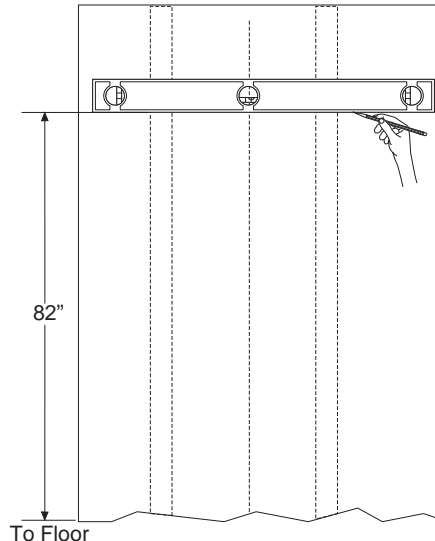


## STEP 5 INSTALL ANTI-TIP BRACKET (cont.)

- Cut a 1" x 4" (2.54 x 10.16 cm) block, 35" (88.9 cm) long.
- Measure and mark under the soffit, 5-1/4" from the front edge of the cabinet.
- Secure the wood block to under the soffit. From the bottom of the block to the finished floor should measure 84" (213.36 cm). See the illustration.



- The kit supplied with the unit contains 2 lag bolts and 4 toggles with bolts. The wall bracket will be attached to the wall in 4 places.
- Measure the opening where the unit is to be installed. Mark the center with a vertical line.
- Measure up 82" (208.28 cm) from the floor. Mark this point on the wall.
- Using a level, draw a horizontal line on the wall at this height.



- Locate at least 2 studs on the back wall. Mark these points on the horizontal line.
- Place the bottom of the wall bracket with tabs on the horizontal line. Align the center notch on the bracket with the center line on the wall.

## STEP 5 INSTALL ANTI-TIP BRACKET

### ⚠ WARNING



### Tip Over Hazard.

The unit is top-heavy and must be secured to prevent the possibility of tipping forward.

### ⚠ AVERTISSEMENT



### Risque de

### basculement

L'appareil ménager est beaucoup plus lourd en haut et il faut le maintenir en place pour éviter la possibilité de son basculement vers l'avant.

### ⚠ ADVERTENCIA



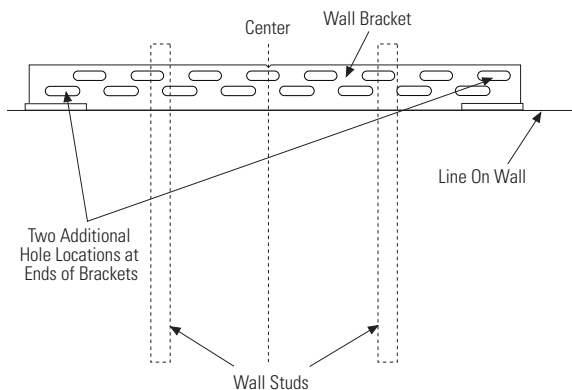
### Riesgo de Caídas

La unidad es pesada en su parte superior y se deberá asegurar a fin de evitar posibles inclinaciones hacia adelante.

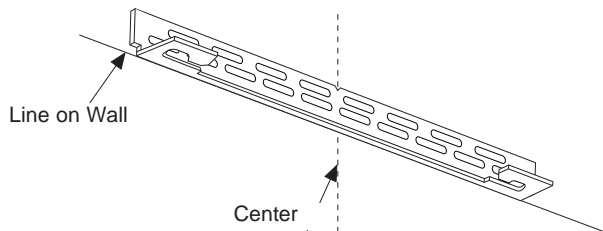
# Installation Instructions - Flush Inset Installation for All-Refrigerator and All-Freezer

## STEP 5 INSTALL ANTI-TIP BRACKET (cont.)

- The anti-tip wall bracket has a series of holes. Select 2 holes that match with the located studs. Make sure the holes selected are on the center of the studs. Mark the wall at these points.



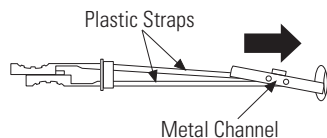
- Mark an additional hole at each end of the bracket. If one of the studs is closer to the end of the bracket, mark an additional hole towards the center of the bracket.
- Drill 1/2" (1.27 cm) holes into the wall board at the locations marked for the toggles to be mounted (not the stud markings).
- Drill 3/16" (0.47 cm) holes into wooden studs where marked. If steel stud construction, drill 1/2" holes into the studs where marked. You will use 2 toggles with the metal studs.



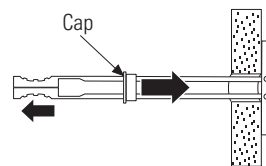
### Install Wall Toggles:

The wall toggles and bolts can be ordered as Service Kit #WR49X10193. Wall toggles are installed in the drywall and metal studs for stability. Install the wall toggles as follows:

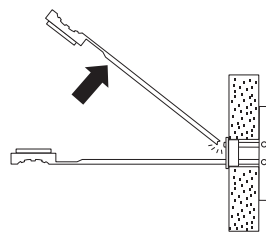
- Drill 1/2" (1.27 cm) holes at the wall markings made in the holes at the ends of the wall bracket.
- Hold the metal channel flat against the plastic straps and slide the channel through the hole.



- Gently pull back at the ends of the plastic straps to make the channel rest flush behind the wall.
- Hold the ends of the straps in one hand and slide the plastic cap along the straps until the flange of the cap is flush with the wall.

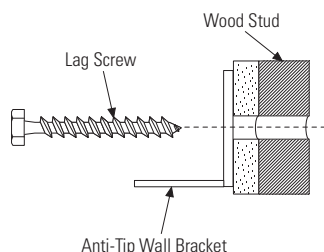


- Place your thumb between the plastic straps and bend up and down to snap the straps off at the wall.

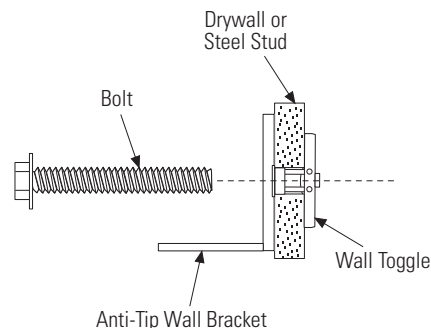


### Install Screws and Bolts:

- Have someone hold the wall bracket centered in place with each of the holes aligned with the correct opening in the bracket and level with the horizontal line.
- Insert the lag screws through the bracket and into the stud. Tighten with a wrench.



- Insert the bolts into the toggle by hand until snug. Tighten with a wrench.





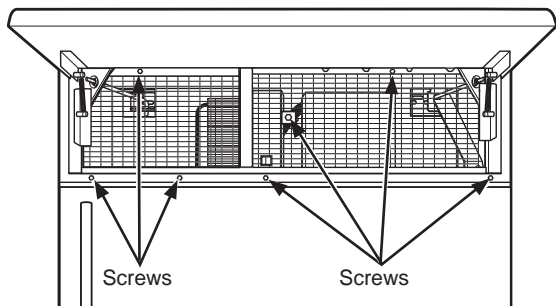
# Installation Instructions - Flush Inset Installation for All-Refrigerator and All-Freezer

## STEP 5 INSTALL ANTI-TIP BRACKET (cont.)

Remove Grilles for Access to Anti-Tip Locking Hooks

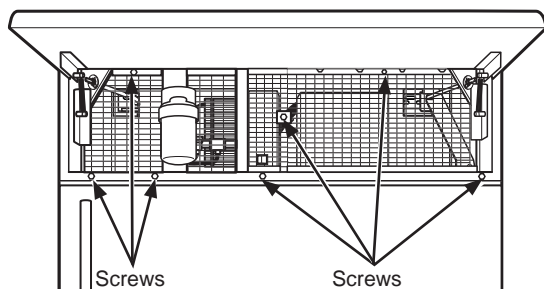
### Fresh Food Unit

- Open the access door.
- Remove the 4 screws from the grille on the right and 3 screws from the grille on the left.
- Pull the bottom of the grille forward, down and out to remove.



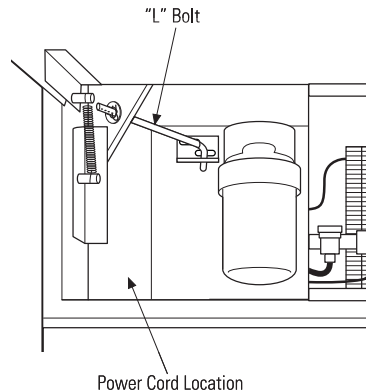
### Freezer Unit

- Open the access door.
- Remove the 4 screws from the grille on the right and 3 screws from the grille on the left.
- Pull the bottom of the grille forward, down and out to remove.



### Power Cord

Locate the power cord inside the left cavity. If it has not been adjusted so the plug is easily accessible, do so now.



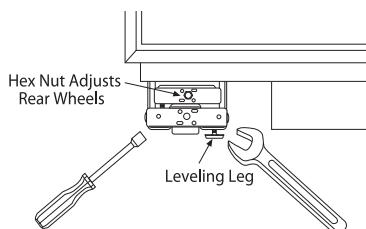
### Move Unit into Final Position

- Move appliance toward its final installed location. Align the tabs on the wall bracket with the openings in the back of the unit.
- The unit has "L" bolts in the upper left and right corners inside of the access compartment. These bolts will interlock with the wall bracket and secure the unit using the washers and hair pin cotters in the hardware kit once the unit has been leveled and is in the final position.

## STEP 6 LEVEL UNIT

All models have 4-point leveling. The front is supported by leveling legs; the rear is supported by adjustable wheels. Both are accessible from the front of the unit.

- To level the back of the unit, turn the 7/16" hex nut located above the front wheels. Turn clockwise to raise or counterclockwise to lower the unit.
- For front leveling, use a 1-1/4" open-end wrench.



- Adjust height of unit to match installation cutout opening 84-1/2" (214.63 cm). The unit should be level and plumb with cabinetry.

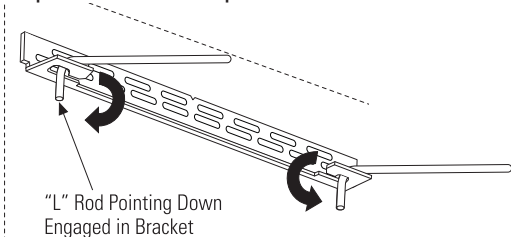
**NOTE:** Raise appliance until the case top comes in contact with the 1" (2.54 cm) spacer block mounted to the underside of the cabinet soffit. Appliance should be level at fully raised position.

The rear leveling wheels and front leveling legs are limited to a maximum height adjustment of 1" (2.54 cm). If the installation requires more than 84-1/2" (214.63 cm) height, the installer should elevate the unit on a sheet of plywood or runners. Cabinetry trim could also be added across the top of the opening to shorten the opening. If you attempt to raise the unit more than 1" (2.54 cm), you will damage the front leveling legs and the rear leveling wheels.

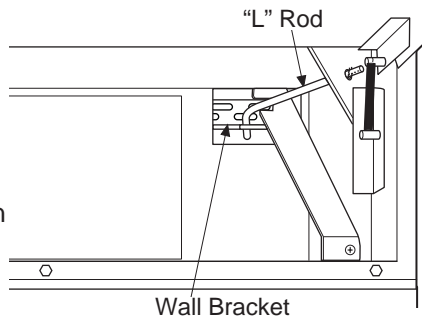
# Installation Instructions - Flush Inset Installation for All-Refrigerator and All-Freezer

## STEP 7 SECURE UNIT TO WALL

- The "L" rods can be found in the upper left and right corners of the unit in the access compartment. Look through the access compartment to make sure the rods line up with the anti-tip bracket.



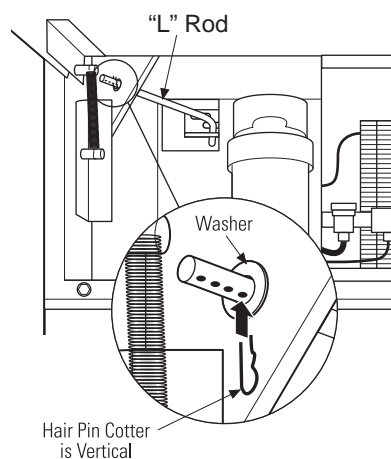
- There are 2 washers and a hair pin cotter per rod. Remove the washers and hair pin cotter from the end of the rod.
- Rotate and move the "L" rod into the slot in the anti-tip bracket tab. Once it is in the slot, rotate the "L" rod so the hook portion is pointing down. The holes at the front end of the rod should be in a vertical position. Do this to both sides.
- Pull out on the end of the rod to make sure it is secure in the bracket.



- Locate the hole on the rod that is closest to the unit. A hair pin cotter will be put through this hole to secure the rod. If this hole appears to be too far away for a snug fit against the unit, add the washers one at a time until the pin will fit tightly into the hole.
- Align the straight section of the pin with the hole from the underside of the rod. Push the pin up until it snaps into position. Pliers may be used.

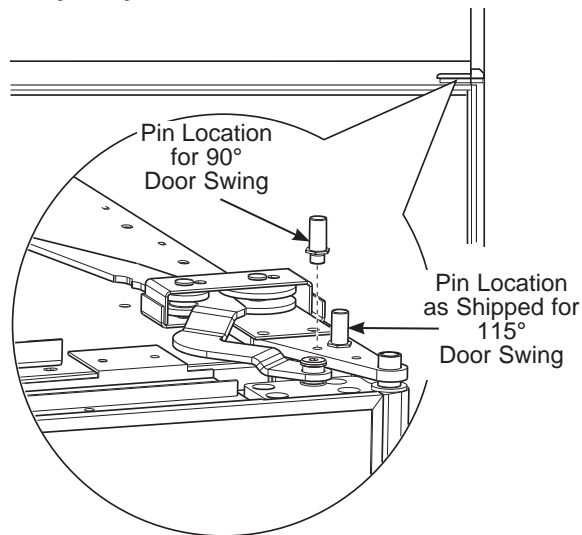
**NOTE:** The hair pin cotter must be vertical when this step is completed to ensure the "L" rod is engaged in the bracket.

- Check the rod for tightness by pulling forward. If the rod moves, remove the hair pin cotter and place another washer on the rod. Reinsert the pin.
- Replace the grille panel.



## STEP 8 ADJUST DOOR SWING

**NOTE:** This appliance has a 3-position door stop. When space does not allow the door to swing open fully to 115°, you may change the door swing to a 90° opening. **Skip this step if door opening is satisfactory for your installation situation.**



- Open the grille to view the top hinge. Note the door stop pin locations. The pin is factory-installed in the 115° position.
- Close the door. Use Pliers to unscrew the door stop and reinstall in the 90 degree position. Close the grill.

### ⚠ WARNING Door Trim Pinch Point Hazard

Improper installation can lead to a finger pinch point hazard between the side door trim and the cabinets when operating the door, especially with children. To minimize this risk you must follow the installation instructions for cabinet dimensions, trim assembly, and door stop angle.

### ⚠ AVERTISSEMENT Risque de pincement de doigts

Une installation incorrecte peut poser un risque de coincement de doigts entre la garniture de porte latérale et les armoires en actionnant la porte, en particulier pour les enfants. Pour réduire ce risque, vous devez suivre les instructions d'installation relatives aux dimensions d'armoire, au montage des garnitures et à l'angle de l'arrêt de porte. instructions d'installation relatives aux dimensions d'armoire, au montage des garnitures et à l'angle de l'arrêt de porte.

# Installation Instructions - Flush Inset Installation for All-Refrigerator and All-Freezer

## STEP 8 ADJUST DOOR SWING (Cont.)

### ⚠ ADVERTENCIA



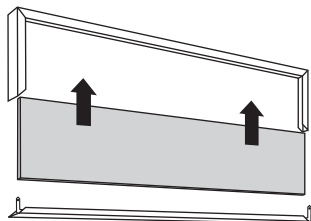
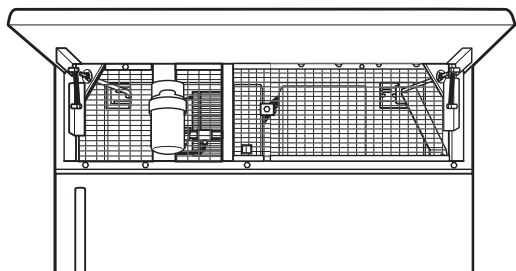
Riesgo de Lastimadura

con el Borde de la Puerta

Una instalación inadecuada puede conducir a riesgos de pellizcos de dedos entre el borde lateral de la puerta y los gabinetes al utilizar la puerta, especialmente con los niños. A fin de minimizar este riesgo, usted deberá seguir las instrucciones de instalación para dimensiones de gabinetes, ensambles de bordes y esquinas de detención de puertas.

## STEP 9 INSTALL GRILLE PANEL

- Raise the access panel to the stop position.

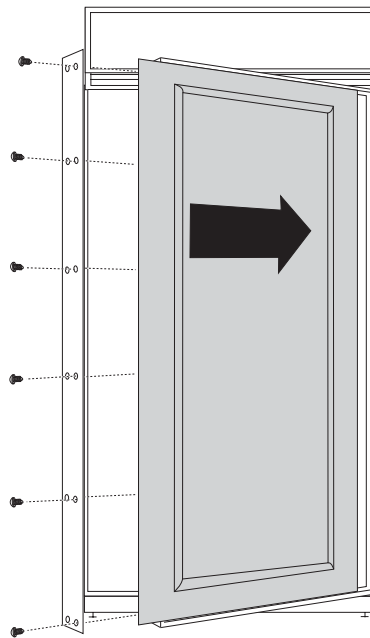


- Loosen the screws on the side trim behind the frame. Remove the bottom trim.
- Slide the panel over the metal backer panel and into the trim.
- If necessary, tap with a wood block until the panel slips under the top trim piece.
- Reassemble the bottom trim. Tighten the screws.

## STEP 10 INSTALL OVERLAY PANELS

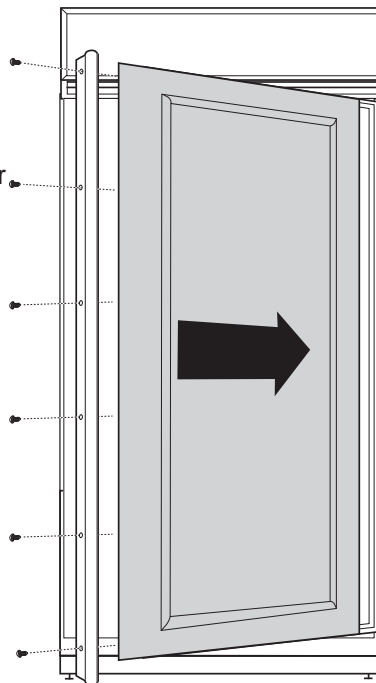
Install door panels:

- Open door to 90°.
- Remove the 12 screws holding the trim, then lift off the trim. Retain the screws.



Custom Handles

- Custom handles must be used for flush installation. The handle must be properly secured to the overlay panel before sliding the panel into the trim.
- The cabinet manufacturer will supply the custom handle and hardware.
- Slide assembled door panel into the trim.
- Reinstall trim by securing with all 12 screws retained in previous steps.



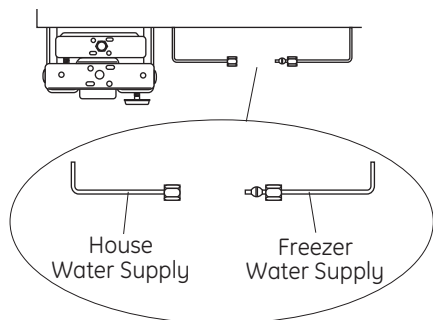
# Installation Instructions - Flush Inset Installation for All-Refrigerator and All-Freezer

## STEP 11 CONNECT WATER SUPPLY (FREEZER MODELS ONLY)

**⚠ WARNING** Connect to potable water supply only.

**⚠ AVERTISSEMENT** Raccordez l'appareil à une alimentation d'eau potable seulement.

**⚠ ADVERTENCIA** Realice la conexión a un suministro de agua potable únicamente.



- Locate and bring the tubing to the front of the cabinet.
- Turn the water on to flush debris from the line. Run about a quart of water through the tubing into a bucket, then shut off the water.

### Copper Tubing:

- Slip a 1/4" nut and ferrule (provided) over both ends of the copper tubing. Insert the tube into the union fitting on the unit and tighten the nut to the union.
- Turn on the water to check for leaks.

### SmartConnect™ Tubing:

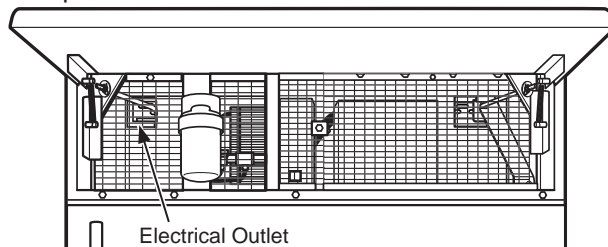
**NOTE:** The only Monogram-approved plastic tubing is supplied in the SmartConnect™ Refrigerator Tubing kits. Do not use any other plastic water supply line because the line is under pressure at all times. Other types of plastic may crack or rupture with age and cause water damage to your home.

- Insert the molded end of the tubing into the appliance or freezer connection. Tighten the compression nut until it is just hand-tight.
- Tighten one additional turn with a wrench. Overtightening can cause leaks!
- Turn on the water to check for leaks.

**NOTE:** Make sure excess tubing length does not interfere with the toekick installation.

## STEP 12 CONNECT POWER

- Check to be sure the power cord is plugged into the receptacle.



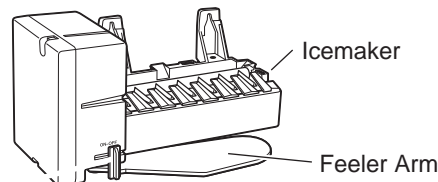
- Check to make sure power to refrigerator is on by opening refrigerator door to see if interior lights are on.
- The temperature controls are preset at 37°F (-13.89°C) for the fresh food section and 0°F (-17.78°C) for the freezer.
- Allow 24 hours to stabilize before making adjustments.

## STEP 13 START ICEMAKER (FREEZER MODELS ONLY)

**⚠ CAUTION** Avoid contact with the moving parts of the ejector mechanism, or with the heating element (located on the bottom of the icemaker) that releases the cubes. Do not place fingers or hands on the automatic ice making mechanism while the freezer is plugged in.

**⚠ ATTENTION** Évitez tout contact avec les pièces mobiles du mécanisme d'éjection, ou l'élément chauffant (situé dans le bas de la machine à glaçons) qui libère les glaçons. Ne placez pas les doigts ou les mains sur le mécanisme de production de glace automatique lorsque le congélateur est branché dans la prise électrique.

**⚠ PRECAUCIÓN** Evite el contacto con las partes en movimiento del mecanismo expulsor o con el elemento de calefacción (ubicado en la parte inferior de la máquina de hielos) que expulsa los cubos. No coloque los dedos ni las manos en el mecanismo de la máquina de hielos automática mientras el freezer se encuentre enchufado.



- The icemaker will begin operation automatically.
- Be sure nothing interferes with the sweep of the feeler arm.
- Discard the first full bucket of ice cubes.
- To turn the icemaker off, see Standard Installation

# Installation Instructions - Flush Inset Installation for All-Refrigerator and All-Freezer

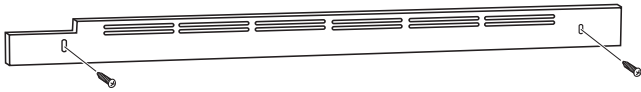
---

## STEP 14 INSTALL TOEKICK

- A custom toekick can be installed to match or complement the surrounding cabinetry.

**IMPORTANT:** The custom toekick must NOT cover the horizontal vent slots of the factory toe kick provided with the original refrigerator and should be 1-5/8" longer on each side. Final height should be cut once the unit is leveled.

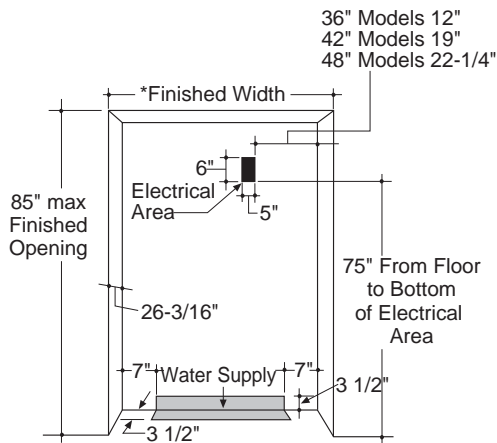
- Install the toekick assembly with the 2 screws provided, adjust to the desired height and tighten screws.



# **Instructions for Side-by-Side Refrigerator Installation**

# Design Guide - Flush Inset Installation for Side-by-Side Refrigerator

## THE INSTALLATION SPACE



\*Finished cutout width must be:  
39" (99.06 cm) for 36" models  
45" (114.3 cm) for 42" models  
51" (129.54 cm) for 48" models

### Water And Electrical Locations

The opening must be prepared with the electrical and the cold water supply located as shown.

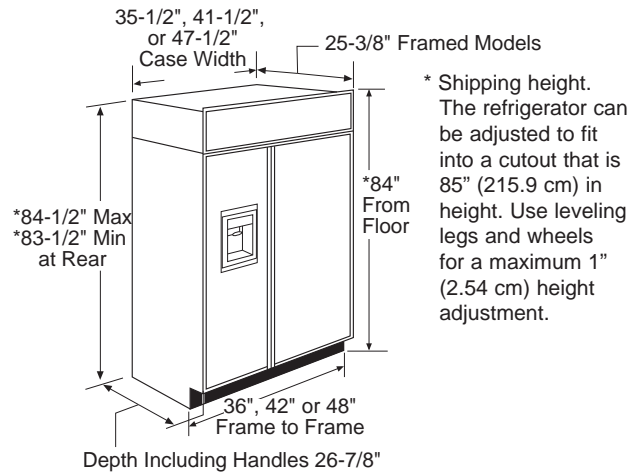
### The Cutout Depth Must Be 26-3/16" (66.99 cm)

Wooden cleats are required for flush installation. See Side Cleats on page 65. **If 3/4" (1.91 cm) Overlay panels w/ 90 degree door swing are to be used then cutout depth must be 26-1/4" (66.68 cm)**

### Additional Specifications

- A 115 volt 60Hz., 15 or 20 amp power supply is required. An individual properly grounded branch circuit or circuit breaker is recommended. Install a properly grounded 3-prong electrical receptacle recessed into the back wall. Electrical must be located on the rear wall as shown.
- The water line can enter the opening through the floor or back wall. The water line should be 1/4" O.D. copper tubing or SmartConnect™ kit between the cold water line and water connection location, long enough to extend to the front of the refrigerator. Installation of an easily accessible shut-off valve in the water line is required.

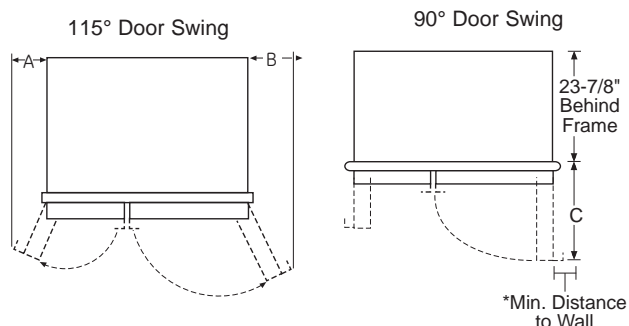
## DIMENSIONS AND CLEARANCES



### Product Clearances

These refrigerators are equipped with a 3-position door stop. The factory-set 115° door swing can be adjusted to 90° if clearance to adjacent cabinets or walls is restricted. Only standard installation can be adjusted to 130°.

Allow minimum clearances for the freezer door



\*4-5/8" Stainless and Trimmed Models.  
5" Pro Series

Models	A	B	C
36"	13" (33.02 cm)	15" (38.1 cm)	20-5/8" (52.39 cm)
42"	13" (33.02 cm)	19" (48.26 cm)	26-5/8" (67.63 cm)
48"	15" (38.1 cm)	20" (50.8 cm)	28-5/8" (72.71 cm)

(Dimension A) and fresh food door (Dimension B) for a full 115° door swing and to allow for pan removal.

For a 90° door swing, allow 4" (10.16 cm) min. clearance to a wall, for framed and stainless steel models. Allow 5" (12.7 cm) min. clearance for professional series models. If the 90° door stop position is used, pan access is maintained, but pan removal is restricted.



# Design Guide - Flush Inset Installation for Side-by-Side Refrigerator

## CUSTOMIZATION BASICS:

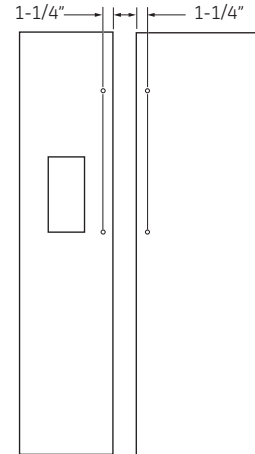
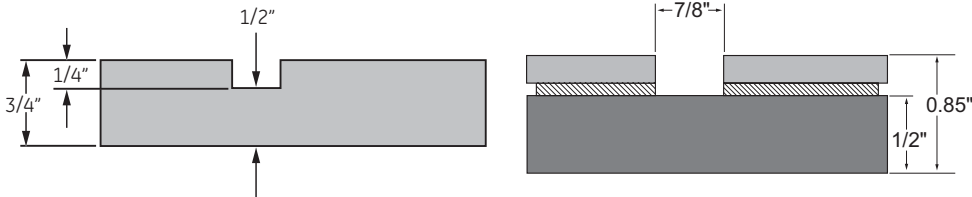
These refrigerators are designed to be customized with decorative panels. Field installed custom door and grille panels are required.

## CUSTOM HANDLE DESIGN GUIDE

Custom handles must be used for flush installation. For custom handle installation, counterbore holes in rear of decorative panels must ensure 1/2" (1.27 cm) material thickness remains for handle support.

**NOTE:** The counterbore must not exceed 1" (2.54 cm) in diameter.

Minimum distance from handle side edge to handle center should be 1-1/4" (3.18 cm) as shown.



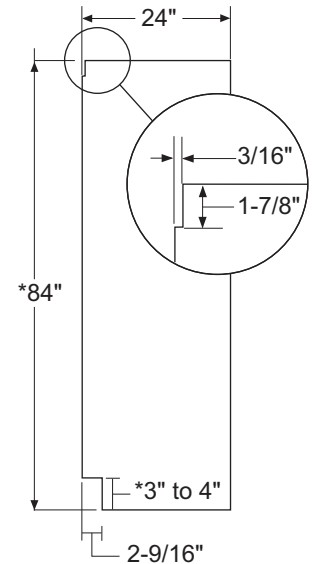
## REFRIGERATOR LOCATION

- Do not install the refrigerator where the temperature will go below 55°F (13°C). It will not run often enough to maintain proper temperatures.
- Do not install the refrigerator where temperatures will go above 100°F (37°C). It will not perform properly.
- Do not install the refrigerator in a location exposed to water (rain, etc.) or direct sunlight.
- Install it on a floor strong enough to support it fully loaded.

## SIDE PANELS

Side panels must be used whenever the sides of the refrigerator will be exposed. The 1/4" (0.63 cm) side panels will slip into the side case trim. Secure the panels to the refrigerator with stick-on hook and loop fastener strips. Order the side panels from the cabinet manufacturer.

- Cut a notch in the top front corner as shown to allow clearance for corner keys in the front side trim.



\* Depending on installation height.

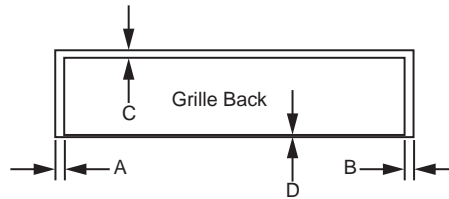
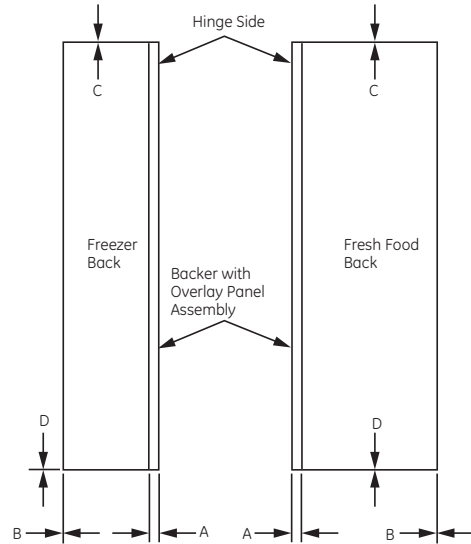
# Design Guide - Flush Inset Installation for Side-by-Side Refrigerator

## 1/2" (1.27 cm) OVERLAY PANEL DIMENSIONS

For a more custom appearance, overlay panels may be installed on trimmed models. The overlay panel must be secured to a 1/4" (0.63 cm) thick backer panel which slides into the trim. A spacer panel 0.10" (0.25 cm) thick must be placed between the overlay and backer panel.

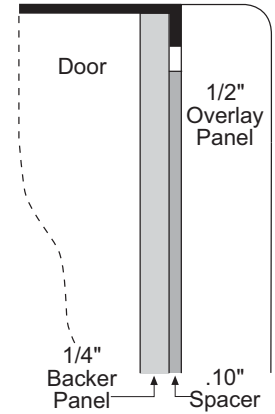
### Assemble the panels with glue and screws:

- Center the spacer panel on the backer panel, left to right and top to bottom. Secure the panels with glue.
- Refer to the following chart for locating the backer panel to the overlay panel. Secure the overlay panel to the backer panel with glue and screws. Screws must be countersunk into the backer panel.



	A	B	C	D
SxS Fresh Food	2-1/16"	1/4"	1/8"	1/8"
SxS Freezer	2-1/16"	1/4"	1/8"	1/8"
SxS Grille	2-1/16"	2-1/16"	1-15/32"*	7/32"

\*2" for 36" models



$$.250" + .10" + .50" = .85"$$

$$0.63 + 0.25 + 1.27 = 2.16 \text{ cm}$$

Total Panel Thickness

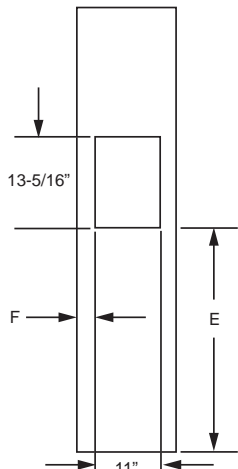
### IMPORTANT NOTE – DISPENSER MODELS

This kit is supplied with 2 dispenser trims. The flush installation trim is designed to fit a total panel thickness of 0.85" (2.16 cm) or 0.75" (1.91 cm).

- If the panel is less than 0.75" (1.91 cm) a noticeable gap may be created around the dispenser trim.
- If the panel is more than 0.85" (2.16 cm) the dispenser trim cannot be secured to the door.

- The overlay panel must be constructed according to the specifications shown to achieve the correct total thickness.
- Cut the dispenser opening **after** the backer, spacer and overlay panels have been assembled.

### Panel Dimensions



36" Side-by-Side	Fresh Food	Freezer	Grille	Dispenser Cutout Position	
1/4" Backer Panel	68-3/8" x 18-9/16"	68-3/8" x 14-9/16"	33-7/8" x 9"	E	F
.10" Spacer Panel	67" x 17-9/16"	67" x 13-9/16"	33" x 8-3/8"		
1/2" Overlay Panel	68-5/8" x 20-7/8"	68-5/8" x 16-7/8"	38" x 11-3/16"		
42" Side-by-Side	Fresh Food	Freezer	Grille	Dispenser Cutout Position	
1/4" Backer Panel	68-3/8" x 24-9/16"	68-3/8" x 14-9/16"	39-7/8" x 9-1/2"	E	F
.10" Spacer Panel	67" x 23-9/16"	67" x 13-9/16"	39" x 8-5/8"		
1/2" Overlay Panel	68-5/8" x 26-7/8"	68-5/8" x 16-7/8"	44" x 11-3/16"		
48" Side-by-Side	Fresh Food	Freezer	Grille	Dispenser Cutout Position	
1/4" Backer Panel	68-3/8" x 26-9/16"	68-3/8" x 18-9/16"	45-7/8" x 9-1/2"	E	F
.10" Spacer Panel	67" x 25-9/16"	67" x 17-9/16"	45" x 8-5/8"		
1/2" Overlay Panel	68-5/8" x 28-7/8"	68-5/8" x 20-7/8"	50" x 11-3/16"		

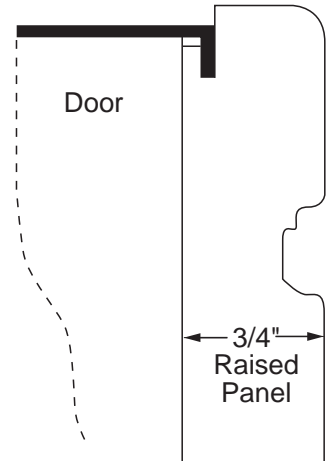
### IMPORTANT NOTE: Maximum total weight for the assembled panels:

- Fresh food door panel – 75 lbs.(34 kg)
- Freezer door panel – 53 lbs.(24 kg)
- Grille Panel – 18 lbs. (8.16 kg)

# Design Guide - Flush Inset Installation for Side-by-Side Refrigerator

## 3/4" (1.91 cm) RAISED PANEL DIMENSIONS

For a more custom appearance raised panels may be installed on trimmed models. The panels must be 3/4" (1.91 cm) thick at and routed per the instructions below in order to guarantee proper operation

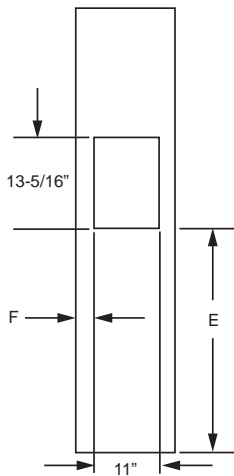


### IMPORTANT NOTE – DISPENSER MODELS

This kit is supplied with 2 dispenser trims. The overlay dispenser trim is designed to fit a total panel thickness of 0.85" (2.16 cm) or 0.75" (1.91 cm).

- If the panel is less than 0.75" (1.91 cm) a noticeable gap may be created around the dispenser trim.
- If the panel is more than 0.85" (2.16 cm) the dispenser trim cannot be secured to the door.
- The overlay panel must be constructed according to the specifications shown to achieve the correct total thickness.

### Panel Dimensions



36" Side-by-Side	Fresh Food	Freezer	Grille	Dispenser Cutout Position E F	
3/4" Raised Panel	68-5/8" x 20-7/8"	68-5/8" x 16-7/8"	38" x 11-3/16"	34-9/32"	3-15/16"
42" Side-by-Side	Fresh Food	Freezer	Grille	Dispenser Cutout Position E F	
3/4" Raised Panel	68-5/8" x 26-7/8"	68-5/8" x 16-7/8"	44" x 11-3/16"	34-9/32"	3-15/16"
48" Side-by-Side	Fresh Food	Freezer	Grille	Dispenser Cutout Position E F	
3/4" Raised Panel	68-5/8" x 28-7/8"	68-5/8" x 20-7/8"	50" x 11-3/16"	34-9/32"	5-15/16"

**IMPORTANT NOTE:** Maximum total weight for the assembled panels:

- Fresh food door panel – 75 lbs. (34 kg)
- Freezer door panel – 53 lbs. (24 kg)
- Grille Panel – 18 lbs. (3.16 kg)

### ⚠ WARNING



#### Door Trim Pinch Point Hazard

Improper installation can lead to a finger pinch point hazard between the side door trim and the cabinets when operating the door, especially with children. To minimize this risk you must follow the installation instructions for cabinet dimensions, trim assembly, and door stop angle.

### ⚠ AVERTISSEMENT



#### Risque de pincement de la garniture de porte

Une installation incorrecte représente un risque de pincement pour les doigts entre le côté de la garniture de porte et les armoires lors de l'ouverture ou de la fermeture de la porte, spécialement pour les enfants. Pour réduire ce risque, vous devez suivre les instructions d'installation selon les dimensions des armoires, l'assemblage de garniture et l'angle de butée de la porte.

### ⚠ ADVERTENCIA



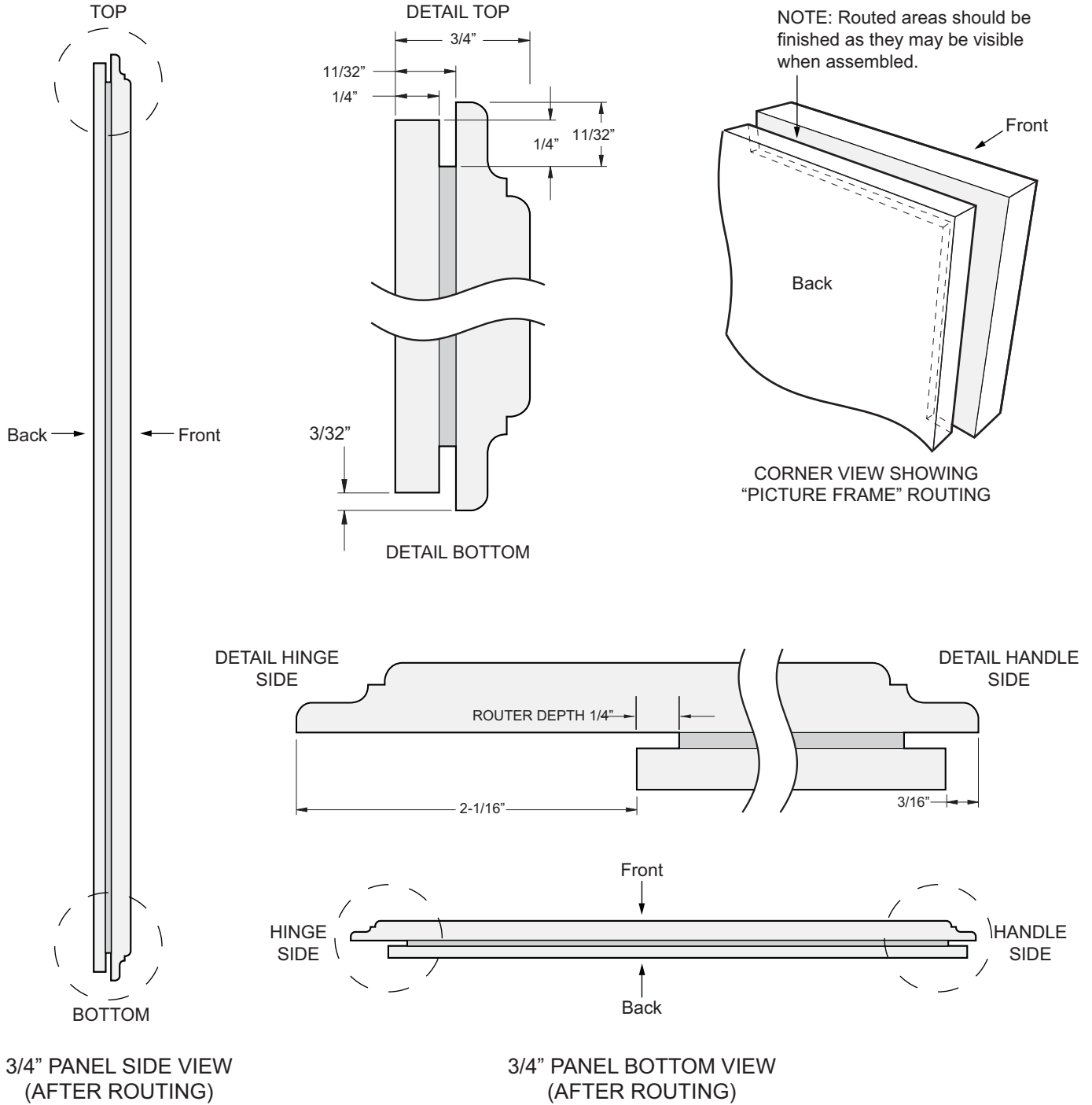
#### Riesgo de Pellizcos con el Marco de la Puerta

Una instalación inadecuada podrá conducir a riesgos de pellizcos de dedos entre el marco lateral de la puerta y los gabinetes al utilizar la puerta, especialmente con los niños. A fin de minimizar este riesgo, usted deberá seguir las instrucciones de instalación para dimensiones de gabinetes, ensambles de marcos y ángulos de detención de puertas.

# Design Guide - Flush Inset Installation for Side-by-Side Refrigerator

## 3/4" (1.91 cm) RAISED DOOR PANEL ROUTING

For 3/4" (1.91 cm) raised door panel, routing is required. The router depth is 1/4" (0.63 cm) all the way around the panel back. Additional panel width reductions are required per the diagrams below. This will create a "picture frame" routing that will slide onto the attached door trim.

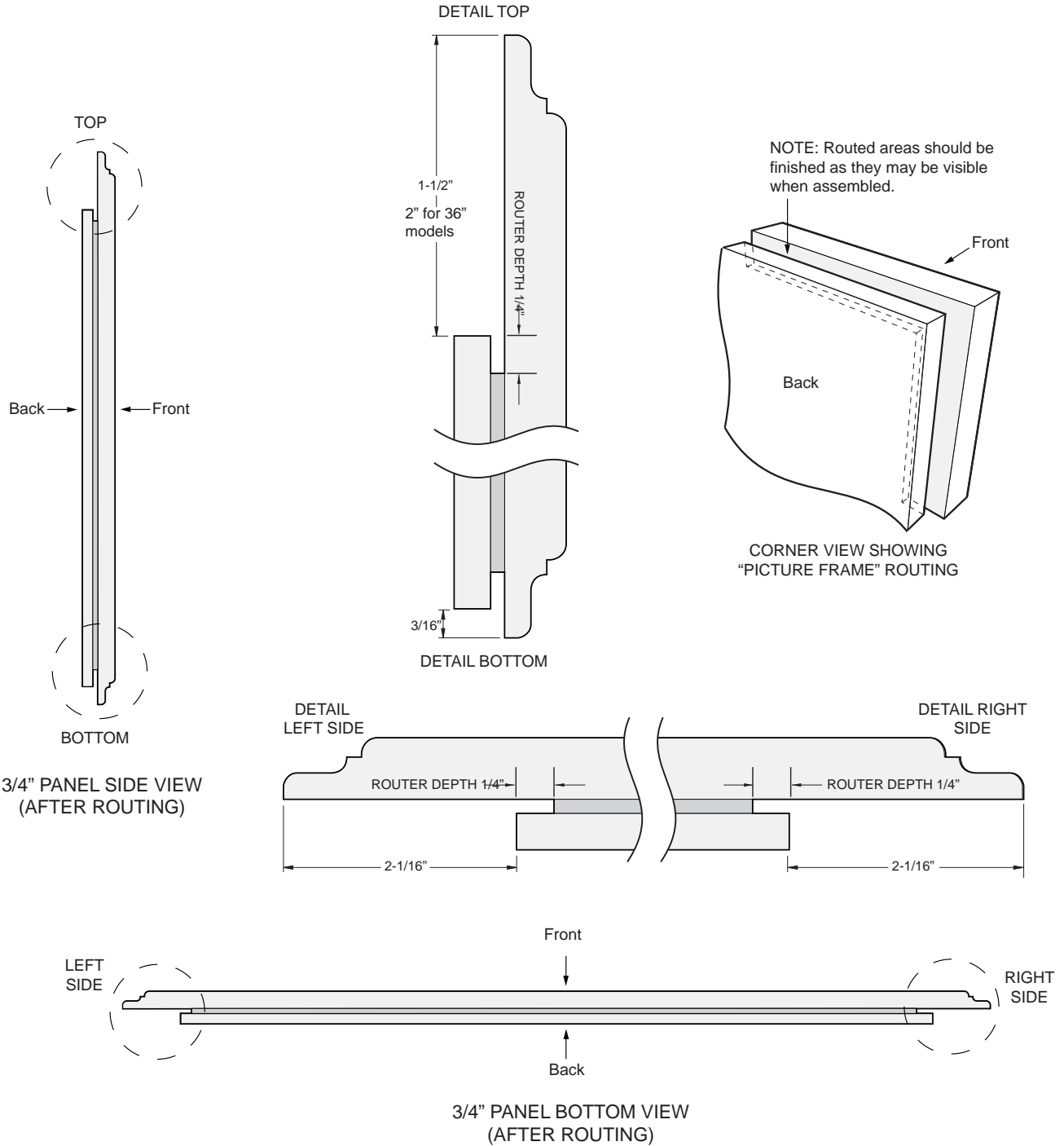


**NOTE:** For panels constructed with rails and stiles (5-panel), the minimum width is 3" (7.62 cm) for rails and 4" (10.16 cm) for stiles.

# Design Guide - Flush Inset Installation for Side-by-Side Refrigerator

## 3/4" (1.91 cm) RAISED GRILLE PANEL ROUTING

For 3/4" (1.91 cm) raised grille panel, routing is required. The router depth is 1/4" (0.63 cm) all the way around the panel back. Additional panel width reductions are required per the diagrams below. This will create a "picture frame" routing that will slide onto the attached grille trim.



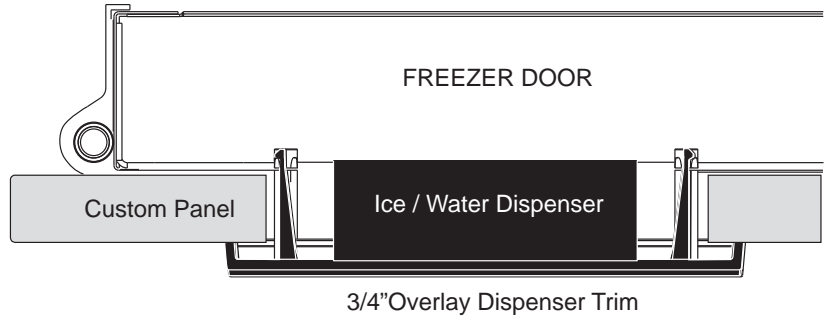
**NOTE:** For panels constructed with rails and stiles (5-panel), the minimum width is 3" (7.62 cm) for rails and 4" (10.16 cm) for stiles.

# Design Guide - Flush Inset Installation for Side-by-Side Refrigerator

## DISPENSER TRIM FIT EXAMPLES: (NOT TO SCALE)

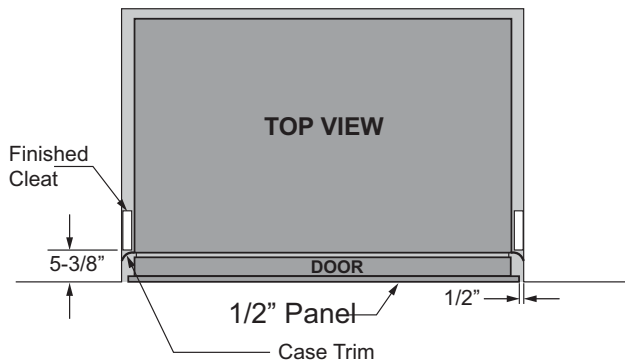
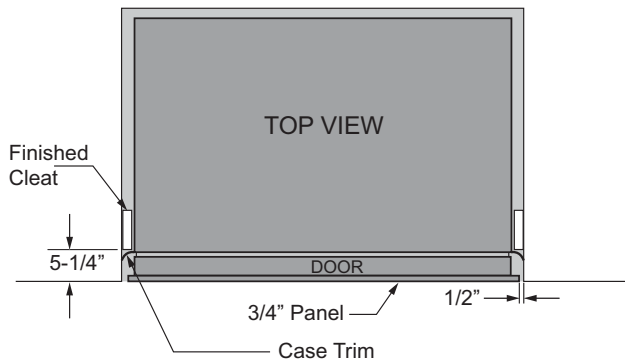
### CUSTOM PANEL

- The dispenser trim fits over the custom panel and snaps into the freezer door.



### SIDE CLEATS

Wood cleats are required to be installed vertically down both sides of the cabinet opening to provide depth stop for the refrigerator when installed into the opening. The cleat should be installed per the diagrams below based on the type of panel being used.



# Installation Instructions - Flush Inset Installation for Side-by-Side Refrigerator

## TOOLS AND MATERIALS REQUIRED

- Tinsnips to cut banding
- Stepladder
- 1" Bit extension
- Tape measure
- Gloves
- 1/4" Drywall screws
- 5-Gal. Bucket with cover
- 6" Spirit level
- Appliance hand truck
- Tubing cutter
- 7/16" open-end wrench
- #2 Phillips screwdriver
- Drill and appropriate bits
- 5/16", 7/16" socket
- Safety glasses
- 1-1/8" open end wrench
- Pliers
- 1/4", 5/16" Combo Ratchet
- 35" long 2x4 for Anti-Tip support
- 1/4" copper water line tubing or SmartConnect™ Refrigerator Tubing kits
- Water shut-off valve
- Custom panels for doors and grille panel
- Screws to secure refrigerator to cabinetry
- Stick-on hook and loop fastener strips for 1/4" side panels

## HARDWARE SUPPLIED WITH UNIT

- Water filter bypass plug
- 1/4" nut and ferrule

## FLOORING

For proper installation, this refrigerator must be placed on a level surface of hard material that is at the same height as the rest of the flooring. This surface should be strong enough to support a fully loaded refrigerator, or approximately 1,500 lbs.(680.39 kg).

**NOTE:** Protect the finish of the flooring. Cut a large section of the cardboard carton and place under the refrigerator where you are working.

## GROUNDING THE REFRIGERATOR

**⚠ WARNING**  **Electrical Shock Hazard.**

Failure to follow these instructions can result in death, fire, or electrical shock.

The power cord of this appliance is equipped with a 3-prong (grounding) plug which mates with a standard 3-prong (grounding) wall receptacle to minimize the possibility of electric shock hazard from this appliance.

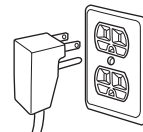
Have the wall outlet and circuit checked by a qualified electrician to make sure the outlet is properly grounded.

Where a standard 2-prong wall outlet is encountered, it is your personal responsibility and obligation to have it replaced with a properly grounded 3-prong wall outlet.

**DO NOT, UNDER ANY CIRCUMSTANCES, CUT OR REMOVE THE THIRD (GROUND) PRONG FROM THE POWER CORD.**

**DO NOT USE AN ADAPTER PLUG TO CONNECT THE REFRIGERATOR TO A 2-PRONG OUTLET.**

**DO NOT USE AN EXTENSION CORD WITH THIS APPLIANCE.**



## MISE À LA TERRE DU RÉFRIGÉRATEUR

**⚠ AVERTISSEMENT**  **Risque de choc électrique.**

Le non-respect de ces instructions peut entraîner des risques d'incendies, des chocs électriques ou la mort.

Le cordon d'alimentation de cet appareil est équipé d'une fiche à trois broches (pour une mise à la terre) qui s'adapte à la prise de courant standard à 3 broches (pour une mise à la terre) pour minimiser les risques de chocs électriques par cet appareil.

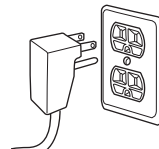
Faites vérifier la prise murale et le circuit électrique par un électricien qualifié pour s'assurer que le système est correctement mis à la terre.

Dans le cas d'une prise biphasée, l'installateur a la responsabilité et l'obligation de la remplacer par une prise triphasée correctement mise à la terre.

**NE COUPEZ PAS OU N'ENLEVEZ PAS, SOUS AUCUN PRÉTEXTE, LA TROISIÈME BROCHE DE MISE À LA TERRE DU CORDON D'ALIMENTATION.**

**N'UTILISEZ PAS D'ADAPTATEUR POUR BRANCHER LE RÉFRIGÉRATEUR À UNE PRISE BIPHASÉE.**

**N'UTILISEZ PAS DE RALLONGE AVEC CET APPAREIL.**





# Installation Instructions - Flush Inset Installation for Side-by-Side Refrigerator

## CONEXIÓN A TIERRA DEL REFRIGERADOR

**⚠ ADVERTENCIA**  **Riesgo de Descarga Eléctrica**

Si no se siguen estas instrucciones, se podrá producir la muerte, incendios o descargas eléctricas.

El cable de corriente de este electrodoméstico cuenta con un enchufe de 3 cables (conexión a tierra) que se conecta a un tomacorriente de pared estándar de 3 cables (conexión a tierra) para minimizar el riesgo de posibles descargas eléctricas por parte del mismo.

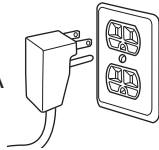
Contrate a un electricista calificado para que controle el tomacorriente y el circuito eléctrico, a fin de asegurar que el enchufe esté correctamente conectado a tierra.

En caso de contar con un tomacorriente de pared de 2 cables, es su responsabilidad y obligación reemplazarlo por un tomacorriente de pared de 3 cables correctamente conectado a tierra.

NUNCA, BAJO NINGUNA CIRCUNSTANCIA, CORTE NI ELIMINE EL TERCER CABLE (TIERRA) DEL CABLE DE CORRIENTE.

NO USE UN ENCHUFE ADAPTADOR PARA CONECTAR EL REFRIGERADOR A UN TOMACORRIENTE DE 2 PATAS.

NO USE UN PROLONGADOR CON ESTE ELECTRODOMÉSTICO.



## STEP 1 REMOVE PACKAGING

**⚠ WARNING**  **Tip Over Hazard.**

The refrigerator is much heavier at the top than at the bottom—be careful when moving. When using a hand truck, handle from the side only.

**⚠ AVERTISSEMENT**  **Risque de basculement**

Le réfrigérateur est beaucoup plus lourd en haut qu'en bas. Il faut être prudent lors des déplacements. Si un diable est utilisé, il faut soulever le réfrigérateur sur le côté seulement.

**⚠ ADVERTENCIA**  **Riesgo de Caídas**

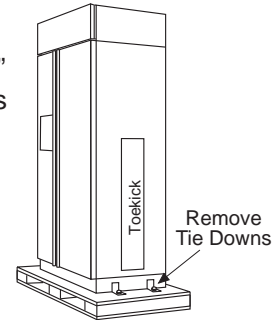
El refrigerador es mucho más pesado en su parte superior que en su parte inferior – tenga cuidado al moverlo. Al usar un carro manual, sosténgalo de costado únicamente.

- Carefully cut banding at the top and bottom, remove the outer carton.
- Slide out the back corner posts (2).
- Slide the carton off the top of the cabinet.

**NOTE:** IT IS NOT NECESSARY TO LAY THE CABINET DOWN IN ORDER TO REMOVE THE SKID!

## STEP 1 REMOVE PACKAGING (Cont.)

- The unit is secured to the skid with 4 slotted tie-down straps. Remove the six 7/16" bolts from the base channels in the tie-downs.
- Remove the six 7/16" bolts securing the straps to the skid.



**NOTE:** DO NOT ATTEMPT TO ROLL UNIT OFF SKID.

- The support blocks on the bottom of the refrigeration case must be removed before the refrigerator is taken off the skid or damage will occur. Carefully tilt the refrigerator and slide the blocks out from beneath.
- Remove the toekick and set aside for final installation.
- Lift the refrigerator off the skid with an appliance dolly. Handle from the sides.

## STEP 2 MOVE THE REFRIGERATOR INTO THE HOUSE

- Re-use the corner posts from the packaging to protect stainless steel models. Run the appliance dolly straps over the posts and under the handles.
- Leave the protective film on the refrigerator until installation is complete. **IMPORTANT:** Never lift the refrigerator by the handle or push against the grille panel; this could cause damage or misalignment.
- Avoid laying the unit on its back or side to prevent sealed system restrictions.

## STEP 3 INSTALL WATER LINE

**⚠ WARNING** Connect to potable water supply only.

**⚠ AVERTISSEMENT** Raccordez l'appareil à une alimentation d'eau potable seulement.

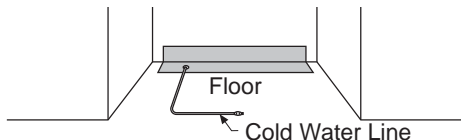
**⚠ ADVERTENCIA** Realice la conexión a un suministro de agua potable únicamente.

- A cold water supply is required for automatic icemaker operation. The water pressure must be between 40 and 120 p.s.i. (275-827 kPa).
- Route 1/4" OD copper or SmartConnect™ plastic tubing between house cold water line and the water connection location.

# Installation Instructions - Flush Inset Installation for Side-by-Side Refrigerator

## STEP 3 INSTALL WATER LINE (Cont.)

- The tubing should be long enough to extend to the front of the refrigerator. Allow enough tubing to accommodate the bend leading into the water line connection.



**NOTE:** The only Monogram approved plastic tubing is supplied in the SmartConnect™ Refrigerator Tubing kits. Do not use any other plastic water supply line because the line is under pressure at all times. Other types of plastic may crack or rupture with age and cause water damage to your home.

SmartConnect™ Refrigerator Tubing Kits are available in the following lengths:

- 2' (.6 m) WX08X10002
- 8' (2.4 m) WX08X10006
- 15' (4.6 m) WX08X10015
- 25' (7.6 m) WX08X10025

### Shut off the main water supply.

Turn on the nearest faucet long enough to clear the line of water.

- Install a shut-off valve between the icemaker water valve and cold water pipe in a basement or cabinet. The shut-off valve should be located where it will be easily accessible.
- Turn on the main water supply and flush debris. Run about a quart of water through the tubing into a bucket. Shut off the water supply at the shut-off valve.

**NOTE:** Saddle type shut-off valves are included in many water supply kits. Before purchasing, make sure a saddle type valve complies with your local plumbing codes.

**NOTE:** Commonwealth of Massachusetts Plumbing Codes 248CMR shall be adhered to. Saddle valves are illegal and use is not permitted in Massachusetts. Consult with your licensed plumber.

## STEP 4 INSTALLATION WITH HOUSEHOLD WATER FILTRATION SYSTEM

**Skip this step if you do not have a household water filtration system**

If the water supply to the refrigerator is from any household water filtration system, the filter cartridge should be removed. For better ice and water performance, remove the filter and install the filter bypass plug.



Rotate Counterclockwise to Remove



Filter Bypass Plug

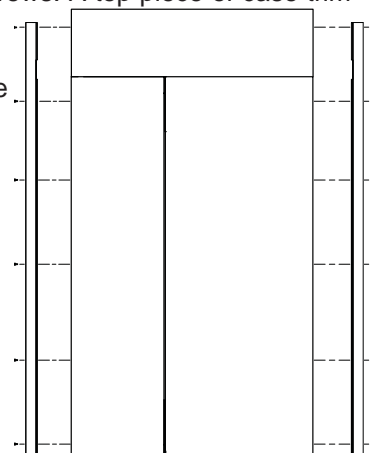
## STEP 5 INSTALL SIDE PANELS

Skip this step when not using side panels.

If you are using 1/4" (0.63 cm) side panels, they should be inserted into the case trim. Fasten the panels to the refrigerator with stick-on hook and loop fastener strips before setting the refrigerator in place.

## STEP 6 INSTALL CASE TRIM

The unit arrives with case trim for standard installation attached. Flush installation case trim is provided in Kit ZKFN. Remove the three pieces of factory installed case trim (both sides and top). Install new case trim using supplied right hand and left hand case trim pieces and case trim screws. A top piece of case trim is not required for flush installation. Attach case trim to each side of case as shown in illustration using case trim screws in holes provided down each side of the case.



# Installation Instructions - Flush Inset Installation for Side-by-Side Refrigerator

## STEP 7 ANTI-TIP PROCEDURE

### ⚠️ WARNING Tip Over Hazard.

These refrigerators are top heavy, especially with any doors open, and must be secured to prevent tipping forward which could result in death or serious injury. Read and follow the entire installation instructions for securing the refrigerator with the anti-tip system.

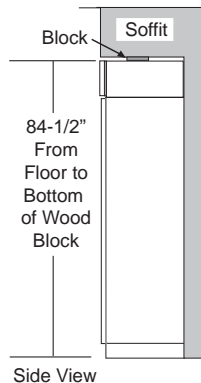
### ⚠️ AVERTISSEMENT Risque de basculement

Ces réfrigérateurs présentent une partie supérieure lourde, en particulier avec une porte ouverte; ils doivent donc être fixés pour prévenir le basculement vers l'avant et le risque concomitant de blessure grave ou fatale. Lisez et suivez les instructions d'installation complètes pour l'installation du système anti-basculement.

### ⚠️ ADVERTENCIA Riesgo de Caídas

Estos refrigeradores son inestables, especialmente cuando una puerta se encuentre abierta, y deberán estar asegurados a fin de evitar caídas hacia adelante que podrían resultar en la muerte o en lesiones graves. Lea y siga las instrucciones de instalación en su totalidad para asegurar el refrigerador con el sistema anti volcaduras.

- Cut a 1" x 4" block, 35" (88.9 cm) long.
- Measure and mark under the soffit, 5-1/4" (13.34 cm) from the front edge of the cabinet.
- Secure the wood block under the soffit. From the bottom of the block to the finished floor should measure 84-1/2" (214.63 cm). See the illustration.



### Connect Power Cord:

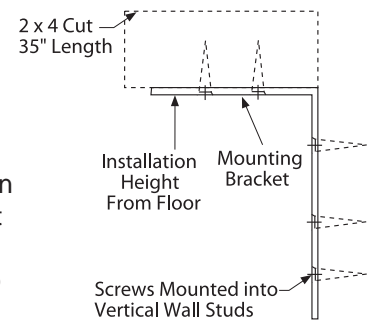
- Before pushing the refrigerator into the opening, plug the power cord into the receptacle. The water filter guard will need to be removed for access (some models). Remove the 3 screws holding it in place. If access is still too tight, remove the 2 screws holding the water filter bracket and move aside. Open the grille panel and reach into the opening at the back to grasp the power cord. Pull the power cord into the opening as you push the refrigerator back. Secure the bracket and guard with the original screws.
- Gently push refrigerator into the opening with hands against front corners.

## STEP 7 ANTI-TIP PROCEDURE (Cont.)

- Once the refrigerator is pushed into the opening, use leveling legs to raise the refrigerator until it rests against the block installed at the top of the opening.

**We recommend units for flush installation be installed under a soffit. If this is not possible, follow these instructions using the mounting brackets.**

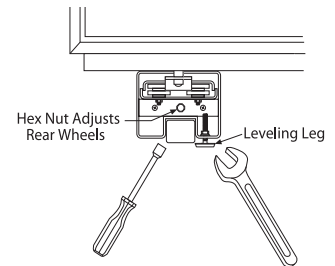
- Cut a 2" x 4" block, 35" (88.9 cm) long and secure the block to the mounting brackets provided using #12 or #14 wood screws.
- Secure the bracket with wood block to the back wall so that it is 84-1/2" (214.63 cm) from the finished floor. Use #12 or #14 wood screws. See the illustration.
- The screws must penetrate at least one inch into the vertical wall studs.
- If metal wall studs then use self-tapping sheet metal screws in place of the wood screws to secure the block and brackets to the wall.



## STEP 8 LEVEL REFRIGERATOR

All models have 4-point leveling. The front is supported by leveling legs, the rear is supported by adjustable wheels. Both are accessible from the front of the refrigerator.

- To level the back of the refrigerator, turn the 7/16" hex nut located above the front wheels. Turn clockwise to raise or counterclockwise to lower the refrigerator.
- For front leveling, use a 1-1/4" open-end wrench.
- Adjust height of refrigerator to match installation cutout opening 84-1/2" (214.63 cm). The refrigerator should be level and plumb with cabinetry.



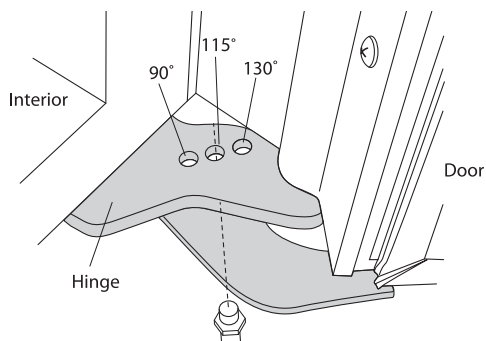
**NOTICE:** The rear leveling wheels and front leveling legs are limited to a maximum height adjustment of 1" (2.54 cm). If the installation requires more than 84-1/2" (214.63 cm) height, the installer should elevate the refrigerator on a sheet of plywood or runners. Cabinetry trim could also be added across the top of the opening to shorten the opening. **If you attempt to raise the refrigerator more than 1" (2.54 cm), you will damage the front leveling legs and the rear leveling wheels. Make adjustments in small increments.**

# Installation Instructions - Flush Inset Installation for Side-by-Side Refrigerator

## STEP 9 ADJUST DOOR SWING

**NOTE:** This refrigerator has a 3-position door stop. When space does not allow the door to swing open fully to 115°, you may change the door swing to a 90° opening. A 130° door swing option is available for standard installation only. **Skip this step if door opening is satisfactory for your installation situation.**

- Open the door to view the bottom hinge. Note the door stop pin locations. The pin is factory installed in the 115° position.
- Close the door. From below, use pliers to unscrew the door stop and reinstall into the 90° position.



### ⚠ WARNING



#### Door Trim Pinch Point Hazard

Improper installation can lead to a finger pinch point hazard between the side door trim and the cabinets when operating the door, especially with children. To minimize this risk you must follow the installation instructions for cabinet dimensions, trim assembly, and door stop angle.

### ⚠ AVERTISSEMENT



#### Risque de pincement de la garniture de porte

Une installation incorrecte représente un risque de pincement pour les doigts entre le côté de la garniture de porte et les armoires lors de l'ouverture ou de la fermeture de la porte, spécialement pour les enfants. Pour réduire ce risque, vous devez suivre les instructions d'installation selon les dimensions des armoires, l'assemblage de garniture et l'angle de butée de la porte.

### ⚠ ADVERTENCIA



#### Riesgo de

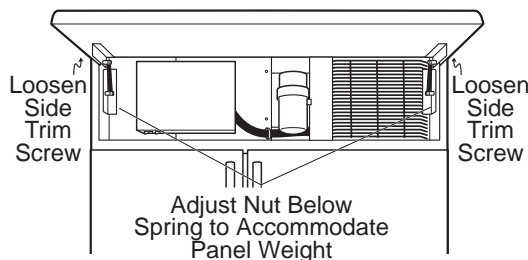
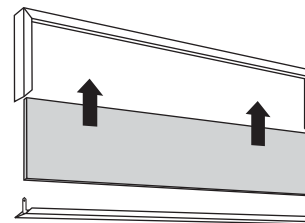
#### Pellizcos con el Marco de la Puerta

Una instalación inadecuada podrá conducir a riesgos de pellizcos de dedos entre el marco lateral de la puerta y los gabinetes al utilizar la puerta, especialmente con los niños. A fin de minimizar este riesgo, usted deberá seguir las instrucciones de instalación para dimensiones de gabinetes, ensambles de marcos y ángulos de detención de puertas.

## STEP 10 INSTALL GRILLE PANEL

To insert the framed or overlay panel into the grille:

- Raise the grille panel to the stop position.



- Loosen the screws on the side trim behind the frame. Remove the bottom trim.

### ⚠ CAUTION

#### SHARP EDGE HAZARD

The metal panel may be slippery. Grip the metal panel firmly so the panel does not slip out of the frame and cause personal injury or damage to the frame.

### ⚠ ATTENTION

#### RISQUE DE COUPURE : ATTENTION AUX ARÊTES VIVES

Le panneau en métal peut être glissant. Tenir fermement le panneau en métal, de manière à ce que le panneau ne glisse pas en dehors du cadre en provoquant des blessures corporelles ou des dommages au cadre.

### ⚠ PRECAUCIÓN

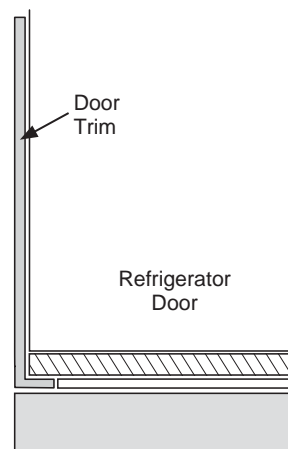
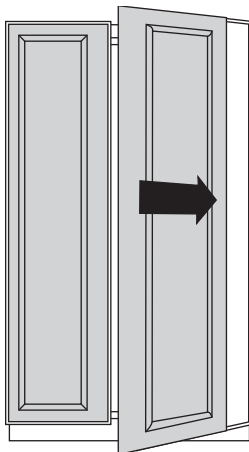
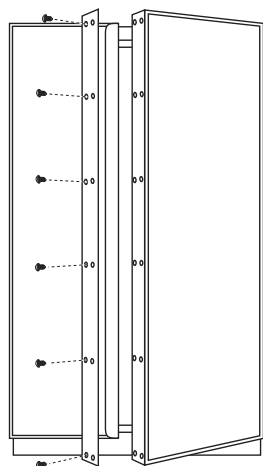
#### RIESGO DE EXTREMO FILOSO

Es posible que el panel metálico esté resbaladizo. Tome el panel metálico de manera firme, de modo que no se deslice fuera del marco y ocasione lesiones personales o daños sobre el marco.

- Slide the panel over the metal backer panel and into the trim.
- If necessary, tap with a wood block until the panel slips under the top trim piece.
- Reassemble the bottom trim. Tighten the screws.
- Adjust the hinge spring to accommodate the panel weight, if necessary.

# Installation Instructions - Flush Inset Installation for Side-by-Side Refrigerator

## STEP 11 INSTALL OVERLAY PANELS



### Install door panels:

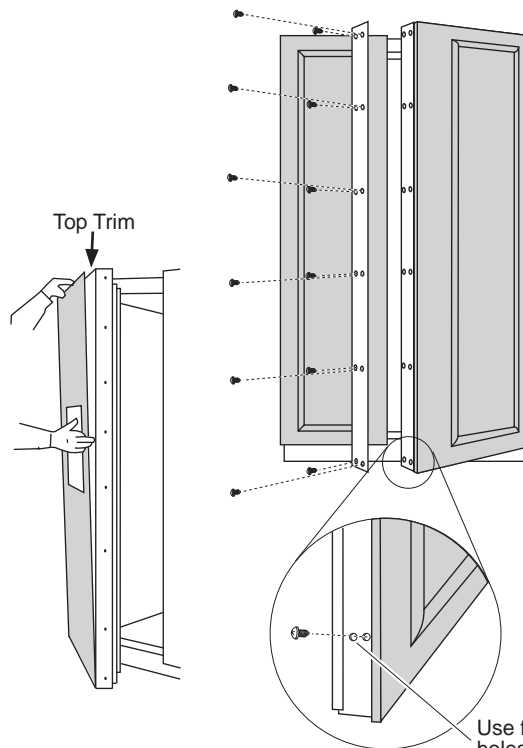
- Open door to 90°.
- Remove the 12 screws holding the door trim on the handle side, then lift off the trim. Retain the screws.
- Slide the overlay panel into the door trim.
- **Custom handles must be used with flush inset. Make sure handles are attached before installing panels.**

### Dispenser Models Only:

- **IMPORTANT:** The dispenser controls protrude beyond the face of the freezer door. To avoid damage to the dispenser, the trim at the top of the door should be removed.
- Remove the screws holding the top trim in place.
- Place the assembled freezer panel into the bottom channel and slide into the hinge side trim.
- Reinstall the top trim piece with all of the original screws.

### All Models:

- There are two sets of holes in the door trim. Replace door trim by installing all of the screws in the two sets of screw holes.
- Follow the same procedures to install the opposite panel.



Use front and rear holes to install all of the original screws and secure trim

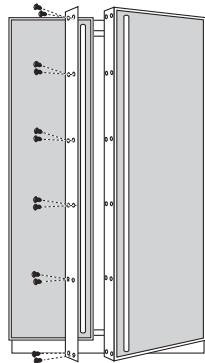


# Installation Instructions - Flush Inset Installation for Side-by-Side Refrigerator

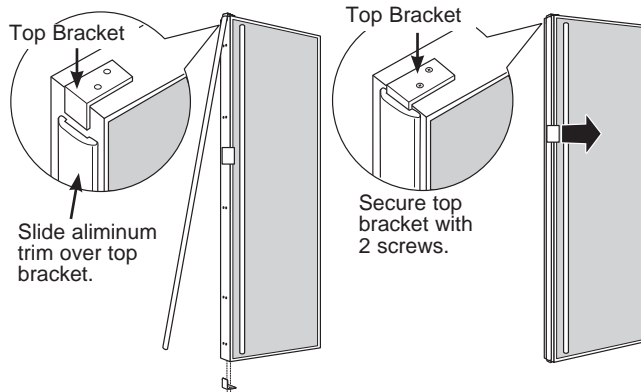
## STEP 11 INSTALL OVERLAY PANELS (Cont.)

### Custom Handles

- Custom handles must be used for flush installation. The handle must be properly secured to the overlay panel before sliding the panel into the trim.
- The cabinet manufacturer will supply the custom handle and hardware.
- Discard the supplied visor handle.
- Reinstall the handle side door trim, using all 6 supplied flat-head screws, plus the 6 flat-head screws originally installed in the handle door trim.
- A trim cover kit has been supplied with your refrigerator. It can be used to cover the exposed screws.
- Install a supplied bracket onto the top of the door, using a Phillips head screwdriver and the 2 screws provided. **Hand-tighten the screws into the brackets. Do not overtighten; damage will occur.**
- Clean the aluminum trim with rubbing alcohol - do not use alcohols with oil or lanolin that will prevent adhesion of double-sided tape.
- Slip the aluminum cover trim onto the top bracket to check the fit. The aluminum cover trim has a slot on each end which fits the bracket.



Reinstall all original screws.



- Remove the trim. Peel away a few inches of the adhesive backing. **IMPORTANT:** The tape is very sticky and strong. Once it adheres to a surface, it cannot be removed without damaging both surfaces. **Do not install the trim before the final wood panels are in place.** Be sure to align the trim carefully before removing the paper backing.

## STEP 11 INSTALL OVERLAY PANELS (Cont.)

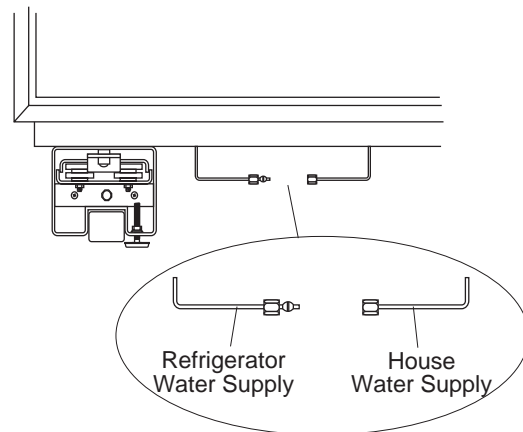
- Carefully place the aluminum cover trim onto the top bracket so that the bracket is inside the cover trim. Use the top to bottom grooves along the handle side to align the cover trim accurately. Align the bracket with the screw holes in the top of the door.
- Pull the tape a few inches at a time while pressing the trim against the door. Press and hold approximately 10 seconds before continuing along the length of the door.
- Install another bracket at the bottom of the door to secure the cover trim. Use a stubby Phillips head screwdriver and the 2 screws provided. **NOTE:** Make sure there are no gaps in the installation.
- Follow the same procedure on the opposite door.

## STEP 12 CONNECT WATER SUPPLY

**⚠ WARNING** Connect to potable water supply only.

**⚠ AVERTISSEMENT** Raccordez l'appareil à une alimentation d'eau potable seulement.

**⚠ ADVERTENCIA** Realice la conexión a un suministro de agua potable únicamente.



- Locate and bring the tubing to the front of the cabinet.
- Turn the water on to flush debris from the line. Run about a quart of water through the tubing into a bucket, then shut off the water.

### Copper Tubing:

- Slip a 1/4" nut and ferrule (provided) over both ends of the copper tubing. Insert the tube into the union fitting on the unit and tighten the nut to the union.
- Turn on the water to check for leaks.

# Installation Instructions - Flush Inset Installation for Side-by-Side Refrigerator

## STEP 12 CONNECT WATER SUPPLY (Cont.)

### SmartConnect™ Tubing:

**NOTE:** The only Monogram-approved plastic tubing is supplied in the SmartConnect™ Refrigerator Tubing kits. Do not use any other plastic water supply line because the line is under pressure at all times. Other types of plastic may crack or rupture with age and cause water damage to your home.

SmartConnect™ Refrigerator Tubing Kits are available in the following lengths:

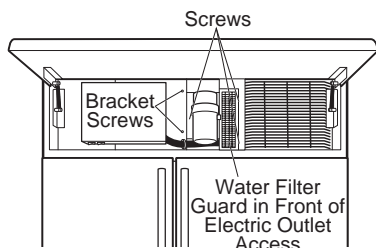
- 2' (.6 m) WX08X10002
- 8' (2.4 m) WX08X10006
- 15' (4.6 m) WX08X10015
- 25' (7.6 m) WX08X10025

- Insert the molded end of the tubing into the refrigerator connection. Tighten the compression nut until it is just hand tight.
- Tighten one additional turn with a wrench. Overtightening can cause leaks!
- Turn on the water to check for leaks.
- Run dispenser, if applicable, for 2 minutes.

**NOTE:** Make sure excess tubing length does not interfere with the toekick installation.

## STEP 13 CONNECT POWER, CLOSE GRILLE PANEL

- Open the grille panel.
- Plug in the power cord (if necessary) by reaching into the opening next to the water filter. The water filter guard will need to be removed for access (some models). Remove the 3 screws holding it in place. If access is still too tight, remove the 2 screws holding the water filter bracket and move aside. Plug in the power cord. Secure the bracket and guard with the original screws.



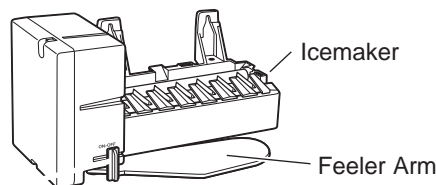
- Check to make sure power to refrigerator is on by opening refrigerator door to see if interior lights are on.
- The temperature controls are preset at 37°F (3°C) for the fresh food section and 0°F (-18°C) for the freezer.
- Allow 24 hours to stabilize before making adjustments.

## STEP 14 START ICEMAKER

**CAUTION** Avoid contact with the moving parts of the ejector mechanism, or with the heating element (located on the bottom of the icemaker) that releases the cubes. Do not place fingers or hands on the automatic ice making mechanism while the refrigerator is plugged in.

**ATTENTION** Évitez tout contact avec les pièces mobiles du mécanisme d'éjection ou l'élément chauffant (situé dans le bas de la machine à glaçons) qui libère les cubes. Ne placez pas les doigts ou les mains sur le mécanisme de production de glace automatique lorsque le réfrigérateur est branché dans la prise électrique.

**PRECAUCIÓN** Evite el contacto con las partes en movimiento del mecanismo expulsor o con el elemento de calefacción (ubicado en la parte inferior de la máquina de hielo) que expulsa los cubos. No coloque los dedos ni las manos en el mecanismo de la máquina de hielo automática mientras el freezer se encuentre enchufado.



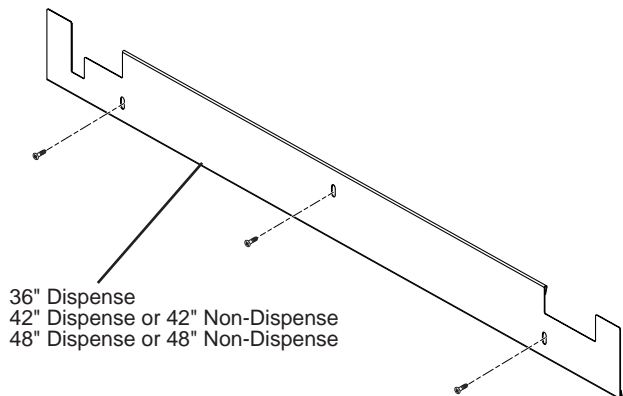
- The icemaker will begin operation automatically.
- Be sure nothing interferes with the sweep of the feeler arm.
- Discard the first full bucket of ice cubes.
- To turn the ice maker OFF, see Standard Installation.



# Installation Instructions - Flush Inset Installation for Side-by-Side Refrigerator

## STEP 15 INSTALL TOEKICKS

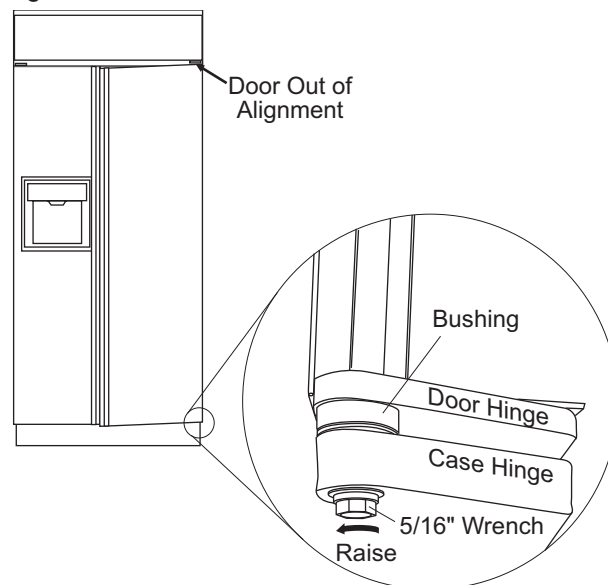
- A custom toekick can be installed to match or complement the surrounding cabinetry. Use the toekick provided with the original refrigerator as a pattern making the custom toekick 1-5/8" longer on each side. Final height should be cut once the unit is leveled.



## INSPECT FINAL INSTALLATION

Check door alignment. Stand back away from the refrigerator to inspect the final installation.

- Check to be sure the handles are evenly aligned with each other at the top. To adjust, loosen the handle screws and slide up or down. Tighten the screws.
- Shipping or the addition of heavy door panels may have caused the doors to move slightly out of alignment.



- If necessary, the fresh food door may be adjusted up or down to align with the freezer door.
- Use a 5/16" wrench to adjust the hinge pin as shown.

**NOTE: While performing installations described in this book, safety glasses or goggles should be worn.**

**NOTE: Product improvement is a continuing endeavor at Monogram. Therefore, materials, appearance and specifications are subject to change without notice.**



**MONOGRAM**



# INSTRUCTIONS D'INSTALLATION

**Avec guide de construction**

**Installation affleurante pour réfrigérateurs encastrés**

Français

# Consignes de sécurité

## AVANT DE COMMENCER

Veillez lire toutes ces instructions attentivement.

- **IMPORTANT** — Conservez ces instructions à l'usage de l'inspecteur local. Observez tous les codes et décrets en vigueur.
- **Note à l'installateur** — Assurez-vous de laisser ces instructions au consommateur.
- **Note au consommateur** - Conservez ces instructions avec votre manuel d'utilisation pour consultation ultérieure.

Si vous avez reçu un appareil endommagé, veuillez communiquer immédiatement avec votre revendeur ou votre entrepreneur.

**Niveau de compétence** – L'installation de cet appareil exige des compétences de base en mécanique, menuiserie et plomberie. La responsabilité d'une installation adéquate relève de l'installateur. La garantie Monogram ne couvre pas les défauts du produit causés par une installation inadéquate. Consultez le manuel d'utilisation pour des renseignements sur la garantie.

### **⚠ AVERTISSEMENT** **Risque d'électrocution.**

Branchez l'appareil dans une prise à 3 broches mise à la terre. N'enlevez pas la broche de mise à la terre. N'utilisez pas un adaptateur.

Cessez immédiatement l'utilisation d'un cordon électrique endommagé. Si le cordon électrique est endommagé, son remplacement doit être exécuté par un technicien en réparation qualifié au moyen d'un cordon de rechange autorisé par le fabricant.

N'utilisez pas un cordon de rallonge avec cet électroménager.

Le non-respect de ces instructions peut occasionner un décès, un incendie ou un choc électrique.

Suivez les instructions de la section Mise à la terre de l'appareil.

Le circuit électrique auquel cet électroménager sera raccordé doit comporter un disjoncteur ou un autre dispositif permettant de couper l'alimentation électrique à l'appareil après l'installation.

### **⚠ AVERTISSEMENT** **Risque de basculement.**

Ces électroménagers sont lourds du haut, notamment lorsqu'une porte est ouverte, de sorte qu'ils doivent être fixés pour prévenir un basculement vers l'avant susceptible d'occasionner des blessures graves ou la mort. Lisez et observez la totalité des instructions d'installation pour connaître la façon de fixer l'électroménager sur le dispositif antibasculement.

### **⚠ AVERTISSEMENT** **Risque d'incendie ou d'explosion.**

Gardez les matériaux et les vapeurs inflammables à l'écart de l'appareil. L'omission de prendre cette précaution peut entraîner un incendie, une explosion ou la mort.

### **⚠ AVERTISSEMENT** Pour réduire le risque d'étouffement pendant l'installation de ce produit, ne pas laisser les petites pièces à la portée des enfants âgés de moins de 3 ans.

### **⚠ AVERTISSEMENT** **Risque lié à la manipulation d'un objet lourd**

Cet appareil est très lourd. Afin de réduire le risque de blessure pendant la manipulation et l'installation de cet électroménager, la participation de 3 personnes est nécessaire à l'exécution d'une installation correcte.

### **⚠ AVERTISSEMENT** Gardez vos doigts éloignés des points de pincement. Les espaces entre les portes et ceux entre les portes et l'armoire sont particulièrement restreints. Soyez prudent lorsque vous fermez les portes en présence d'enfants.

Pour joindre le service Monogram de votre région, visitez [monogram.com](http://monogram.com)

Pour le service Monogram au Canada, visitez [monogram.ca](http://monogram.ca)

Pour le service des Pièces et accessoires Monogram, visitez [monogram.com/use-and-care/parts](http://monogram.com/use-and-care/parts).

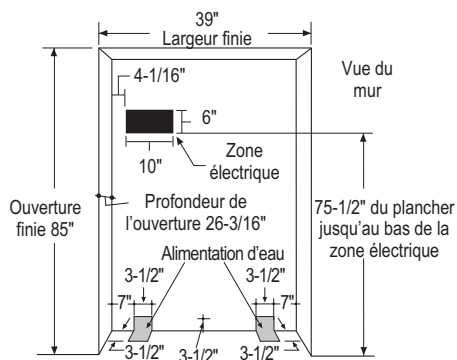
# Table des matières

<b>Sécurité</b>	2	Étape 11. Raccordement de l'alimentation d'eau	35
<b>Instructions pour réfrigérateur à deux portes avec congélateur en bas</b>	4	Étape 12. Brancher l'alimentation électrique	36
<b>Guide de planification</b>		Étape 13. Démarrer la machine à glaçons	36
L'espace d'installation	5	Étape 14. Installer le coup-de-pied	36
Dimensions et dégagements	5	<b>Réfrigérateur et congélateur intégraux</b>	37
Guide technique relatif à la poignée personnalisée	5	<b>Guide de planification</b>	
Dimensions du panneau de recouvrement 1/2 po (1,27 cm)	6	L'espace d'installation	38
Dimensions du panneau décoratif 3/4 po (1,9 cm)	7	Dimensions et dégagements	38
Renseignements sur la personnalisation	7	Dégagements	39
Emplacement du réfrigérateur	7	Installation – Trousse d'union ZKBFN720NII	39
Touillage du panneau de porte réfrigérateur surélevé 3/4 po (1,9 cm)	8	Guide technique de la poignée personnalisée	39
Touillage du panneau de tiroir congélateur surélevé 3/4 po (1,9 cm)	9	Dimensions du panneau encadré de 1/2 po (1,27 cm)	40
Touillage du panneau de grille surélevé 3/4 po (1,9 cm)	10	Dimensions du panneau décoratif 3/4 po (1,9 cm)	41
Panneaux latéraux	11	Touillage de panneau de porte surélevé 3/4 po (1,9 cm)	42
Taquets latéraux	11	Touillage de panneau de grille surélevé 3/4 po (1,9 cm)	43
<b>Instructions d'installatio</b>		Touillage de panneau de porte surélevé 3/4 po (1,9 cm) pour installation en jonction	44
Outils, quincaillerie, matériaux, matériau de revêtement de sol	12	Panneaux latéraux	45
Mise à la terre du réfrigérateur	12	Taquets latéraux	45
Étape 1. Retrait de l'emballage	12	Dimensions du panneau de porte en jonction	45
Étape 2. Installer la conduite d'eau	13	Trousse d'union ZKBFN720NII	46
Étape 2a. Installation d'une conduite d'eau avec système d'osmose inverse	13	Emplacement du réfrigérateur	46
Étape 3. Installer les panneaux latéraux	13	<b>Instructions d'installatio</b>	
Étape 4. Installer la garniture de caisson	13	Outils, quincaillerie, matériaux, matériau de revêtement de sol	47
Étape 5. Dispositif antibasculement	14	La terre de l'unité	47
Étape 6. Mettre le réfrigérateur de niveau	15	Étape 1. Retrait de L'emballage	48
Étape 7. Fixer l'appareil au mur	16	Étape 2. Installer la Conduite D'eau	48
Étape 8. Autres dispositifs antibasculement	16	Étape 3. Installer les Panneaux Latéraux	48
Étape 9. Ajuster l'ouverture de porte	17	Étape 4. Installer la Garniture de Caisson	49
Étape 10. Installer le panneau de grille	17	Étape 5. Dispositif Antibasculement	49
Étape 11. Installer les panneaux assemblés	18	Étape 6. Mettre l'appareil de niveau	51
Étape 12. Raccordement de l'alimentation d'eau	19	Étape 7. Fixer L'Appareil au Mur	52
Étape 13. Brancher l'alimentation électrique	19	Étape 8. Ajuster l'ouverture de porte	52
Étape 14. Démarrer la machine à glaçons	19	Étape 9. Installer le panneau de grille	53
Étape 15. Installer le coup-de-pied	20	Étape 10. Installer les panneaux encadrés	53
Inspecter l'installation finale	20	Étape 11. Raccorder l'alimentation d'eau (congélateurs seulement)	54
<b>Réfrigérateur à congélateur en bas</b>	21	Étape 12. Brancher l'alimentation électrique	54
<b>Guide de planification</b>		Étape 13. Démarrer la machine à glaçons (congélateurs seulement)	54
L'espace d'installation	22	Étape 14. Installer le coup-de-pied	55
Dimensions et dégagements	22	<b>Réfrigérateur à compartiments côte-à-côte</b>	56
Guide technique relatif à la poignée personnalisée	22	<b>Guide de conception</b>	
Dimensions du panneau de recouvrement 1/2 po (1,27 cm)	23	L'espace d'installation	57
Dimensions du panneau décoratif 3/4 po (1,9 cm)	24	Dimensions et dégagements	57
Renseignements sur la personnalisation	24	Renseignements sur la personnalisation	58
Emplacement du réfrigérateur	24	Guide de conception pour poignées personnalisées	58
Trousse d'accessoires en option	24	Emplacement du réfrigérateur	58
Touillage du panneau de porte réfrigérateur surélevé 3/4 po (1,9 cm)	25	Panneaux latéraux	58
Touillage du panneau de tiroir congélateur surélevé 3/4 po (1,9 cm)	26	Dimensions du panneau de recouvrement 1/2 po (1,27 cm)	59
Touillage du panneau de grille surélevé 3/4 po (1,9 cm)	27	Dimensions du panneau surélevé 3/4 po (1,91 cm)	60
Installation – Trousse d'union ZKBFN720NII	28	Touillage du panneau de porte surélevé 3/4 po (1,91 cm)	61
Dimensions pour la trousse d'union ZKBFN720NII	28	Touillage du panneau de grille surélevé 3/4 po (1,9 cm)	62
Panneaux latéraux	28	Exemples de pose de garniture pour distributeur	63
Taquets latéraux	28	Taquets latéraux	63
Dimensions du panneau de porte de jonction	28	<b>Instructions d'installation</b>	
<b>Instructions d'installatio</b>		Outils, quincaillerie, matériaux, matériau de revêtement de sol	64
Outils, quincaillerie, matériaux, matériau de revêtement de sol	29	Mise à la terre du réfrigérateur	64
Mise à la terre du réfrigérateur	29	Étape 1. Retrait de L'emballage	64
Étape 1. Retrait de l'emballage	29	Étape 2. Déplacer le réfrigérateur dans le domicile	65
Étape 2. Installer la conduite d'eau	30	Étape 3. Installer la conduite d'eau	65
Step 2a. Installation d'une conduite d'eau avec système d'osmose inverse	30	Étape 4. Installation avec système de filtration d'eau domestique	65
Étape 3. Installer les panneaux latéraux	30	Étape 5. Installer les panneaux latéraux	65
Étape 4. Installer la garniture de caisson	30	Étape 6. Installer la garniture de caisson	66
Étape 5. Dispositif antibasculement	31	Étape 7. Dispositif antibasculement	66
Étape 6. Mettre le réfrigérateur de niveau	33	Étape 8. Mettre le réfrigérateur de niveau	66
Étape 7. Autres dispositifs antibasculement	33	Étape 9. Ajuster l'ouverture de porte	67
Étape 8. Ajuster l'ouverture de porte	34	Étape 10. Installer le panneau de grille	67
Étape 9. Installer le panneau de grille	34	Étape 11. Installer les panneaux de recouvrement	68
Étape 10. Installer les panneaux de porte et les poignées personnalisées	35	Étape 12. Raccordement de l'alimentation d'eau	69
		Étape 13. Brancher l'alimentation électrique, fermer le panneau de grille	70
		Étape 14. Démarrer la machine à glaçons	70
		Étape 15. Installer le coup-de-pied	71
		Inspecter l'installation finale	71

# **Instructions pour réfrigérateur à deux portes avec congélateur en bas**

# Guide de conception - Installation affleurante pour réfrigérateur à deux portes avec congélateur en bas

## L'ESPACE D'INSTALLATION



### Emplacements des alimentations d'eau et électrique.

Les alimentations d'eau et électrique doivent se situer comme illustré.

### La profondeur de l'ouverture doit mesurer 26 3/16 po (66,52 cm).

Le réfrigérateur se projettera vers l'avant, légèrement au-delà des armoires adjacentes, selon le type de votre installation.

Allouez un espace d'air minimal de 1/8 po (0,32 cm) entre l'arrière du caisson et le mur.

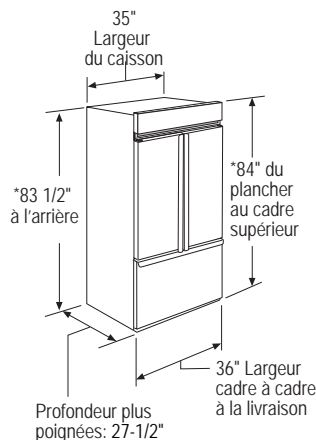
### Profondeur de l'ouverture en dessous d'un soffite :

Si l'installation s'effectue sous un soffite, celui-ci ne peut dépasser la profondeur de l'installation de 24" (60,96 cm) illustrée. La garniture de caisson supérieure chevauche le bas du soffite.

### Spécifications supplémentaires

- Une alimentation électrique de 115 volts, 60Hz, 15 ou 20 ampères est requise. Un circuit de dérivation ou un disjoncteur distinct correctement mis à la terre sont recommandés. Installez une prise électrique à trois alvéoles correctement mise à la terre encastrée dans le mur arrière. Le câblage électrique doit se situer sur le mur arrière comme illustré.
- La conduite d'eau peut pénétrer dans l'ouverture à travers le plancher ou le mur arrière. Acheminez la trousse SmartConnect™ ou un tuyau de cuivre de 1/4 po (D.E.) entre la conduite d'eau froide et le lieu du raccord d'eau. Le tuyau doit être suffisamment long pour atteindre le devant de l'appareil. L'installation d'un robinet de sectionnement aisément accessible est requise.

## DIMENSIONS ET DÉGAGEMENTS

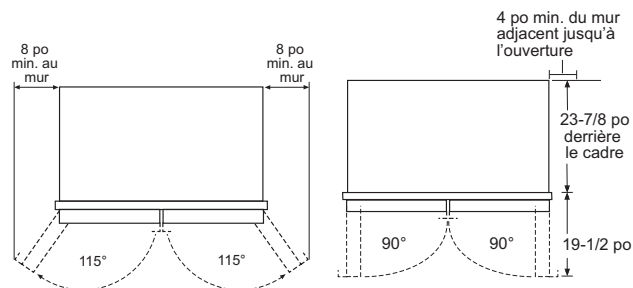


\* Hauteur à la livraison. On peut adapter le réfrigérateur pour qu'il rentre dans une ouverture d'une hauteur de 85 po (215,9 cm) max. Utilisez les pieds de nivellement et les roulettes pour un ajustement maximal en hauteur de 1 po (2,54 cm).

### Dégagements du produit

Ces réfrigérateurs sont dotés d'une butée à 3 positions.

L'ouverture de porte de 115° réglée à l'usine peut s'ajuster à 90° si le dégagement aux armoires ou aux murs adjacents est restreint.



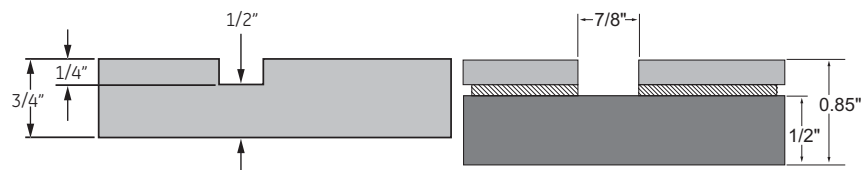
N'utilisez pas l'option d'ouverture de porte à 130° dans le cas d'une installation affleurante.

Pour une ouverture de porte à 90°, allouez un dégagement minimal de 4 po (10,16 cm) à un mur. Si l'on utilise la position à 90°, l'accès au plateau est maintenu mais son retrait est restreint.

## GUIDE DE CONCEPTION POUR POIGNÉES PERSONNALISÉES

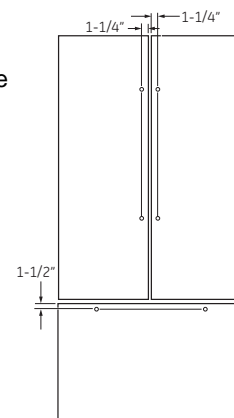
Une installation exige d'utiliser des poignées personnalisées. L'installation de ces poignées nécessite que les trous contre-perçés sur la face arrière des panneaux décoratifs laissent une épaisseur de 1/2 po (1,27 cm) de matériau pour le support de poignée.

**REMARQUE :** Le diamètre du trou contre-perçé ne doit pas dépasser 1 po (2,54 cm).



Sur les portes réfrigérateur, la distance minimale entre le bord côté poignée et le centre de la poignée doit mesurer 1 1/4 po (3,18 cm) sur chaque porte comme illustré.

La distance minimale sur la porte congélateur entre le bord supérieur et le centre de la poignée doit mesurer 1 1/2 po (3,81 cm) comme illustré.





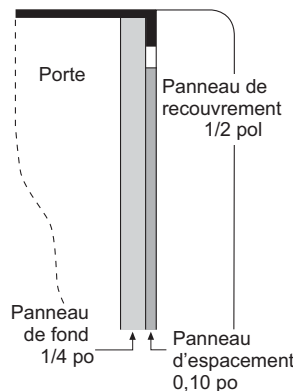
# Guide de conception - Installation affleurante pour réfrigérateur à deux portes avec congélateur en bas

## DIMENSIONS DU PANNEAU DE RECOUVREMENT 1/2 po (1,27 cm)

Pour une apparence davantage personnalisée, on peut installer des panneaux de recouvrement sur les modèles avec garnitures. Il faut poser le panneau de recouvrement sur un panneau de fond de 1/4 po (64 cm) qui glissera dans la garniture. Un panneau d'espacement de 0,10 po (0,25 cm) d'épaisseur doit être placé entre les panneaux de recouvrement et de fond.

### Assemblez les panneaux avec de la colle et des vis.

- Centrez le panneau d'espacement sur le panneau de fond, horizontalement et verticalement. Fixez les panneaux avec de la colle.
- Reportez-vous à l'illustration suivante pour identifier le panneau de fond par rapport au panneau de recouvrement. Fixez le panneau de recouvrement sur le panneau de fond avec de la colle et des vis. Il faut noyer les vis dans le panneau de fond.



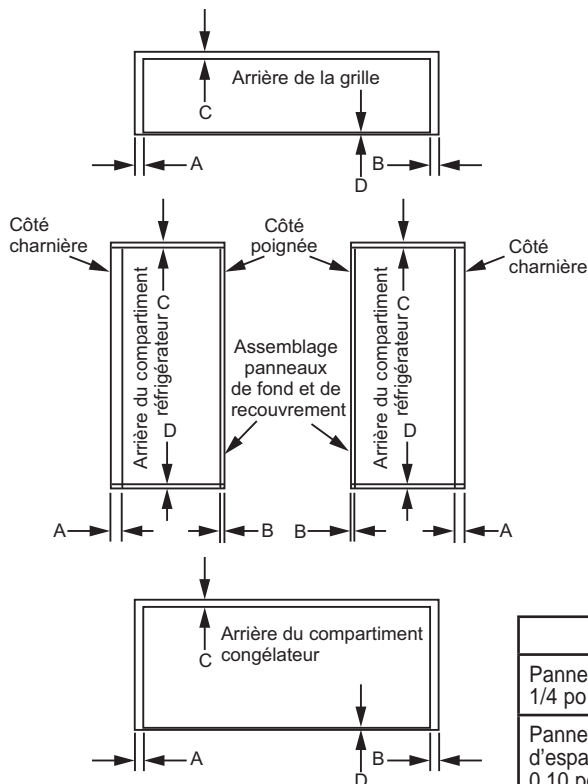
$$.250'' + .10'' + .50'' = .850'' \text{ Épaisseur totale des panneaux (0.635 cm + 0.254 cm + 1.27 cm = 2.159)}$$

**REMARQUE IMPORTANTE :** Poids total maximal des panneaux assemblés :

- Panneau de porte réfrigérateur – 75 lbs. (34.02 cm)
- Panneau de tiroir congélateur – 28 lb (13 kg)
- Panneau de grille – 18 lbs. (8.16 cm)

### Emplacements des panneaux

	A	B	C	D
Panneau de porte	2-1/16" (5.24 cm)	3/16" (0.47 cm)	3/16" (0.47 cm)	3/16" (0.47 cm)
Panneau de tiroir	2-1/16" (5.24 cm)	2-1/16" (5.24 cm)	1/4" (0.64 cm)	1/4" (0.63 cm)
Panneau de grille	2-1/16" (5.24 cm)	2-1/16" (5.24 cm)	1-11/16" (4.28 cm)	1/4" (0.63 cm)



### Dimensions du panneau

	Réfrigérateur	Congélateur	Grille
Panneau de fond 1/4 po (0,63 cm)	46-1/16" x 33-7/8" (116.99 cm x 86.04 cm)	21-7/8" x 33-7/8" (55.56 cm x 86.04 cm)	8-7/8" x 33-7/8" (22.54 cm x 86.04 cm)
Panneau d'espacement 0,10 po (0,25 cm)	44-11/16" x 32-1/2" (113.51 cm x 82.55 cm)	20-1/2" x 32-1/2" (52.07 cm x 82.55 cm)	7-5/8" x 32-1/2" (16.37 cm x 82.55 cm)
Panneau de recouvrement 1/2 po (1,27 cm)	49-9/16" x 38" (125.89 cm x 96.52 cm)	22-7/16" x 38" (56.99 cm x 96.52 cm)	10-11/16" x 38" (27.15 cm x 96.52 cm)

# Guide de conception - Installation affleurante pour réfrigérateur à deux portes avec congélateur en bas

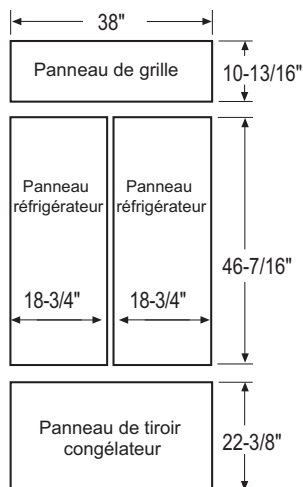
## DIMENSIONS DU PANNEAU DÉCORATIF 3/4 po (1,9 cm)

Pour une apparence plus personnalisée, on peut installer les panneaux décoratifs de façon à ce qu'ils affleurent les armoires environnantes. L'épaisseur du panneau de recouvrement doit être de 3/4 po (1,9 cm). Le panneau se fixe avec les supports inclus pour montage sur la porte de l'électroménager.

**REMARQUE :** Nous recommandons que les panneaux décoratifs soient arrondis ou biseautés aux coins et bords intérieurs par un menuisier afin d'adoucir les bords coupants des panneaux. Les bords à traiter doivent inclure les bords supérieur, inférieur et côté charnière.

**REMARQUE IMPORTANTE :** Poids total maximal des panneaux assemblés :

- Panneau de porte – 67 lbs. (30.39 kg)
- Panneau de tiroir congélateur – 28 lbs. (13 kg)
- Panneau de grille – 18 lbs. (8.16 kg)



### ⚠ AVERTISSEMENT



Risque de pincement

#### de doigts

Une installation incorrecte peut poser un risque de coincement de doigts entre la garniture de porte latérale et les armoires en actionnant la porte, en particulier pour les enfants. Pour réduire ce risque, vous devez suivre les instructions d'installation relatives aux dimensions d'armoire, au montage des garnitures et à l'angle de l'arrêt de porte.

## RENSEIGNEMENTS SUR LA PERSONNALISATION :

### Panneaux encadrés ou de recouvrement, poignées personnalisées et trousse d'accessoires

Ces réfrigérateurs sont conçus pour être personnalisés à l'aide de panneaux décoratifs. Il faut donc se procurer des panneaux de porte et de grille personnalisés dans le marché.

### Panneaux latéraux

On doit utiliser des panneaux latéraux si les côtés du réfrigérateur sont exposés.

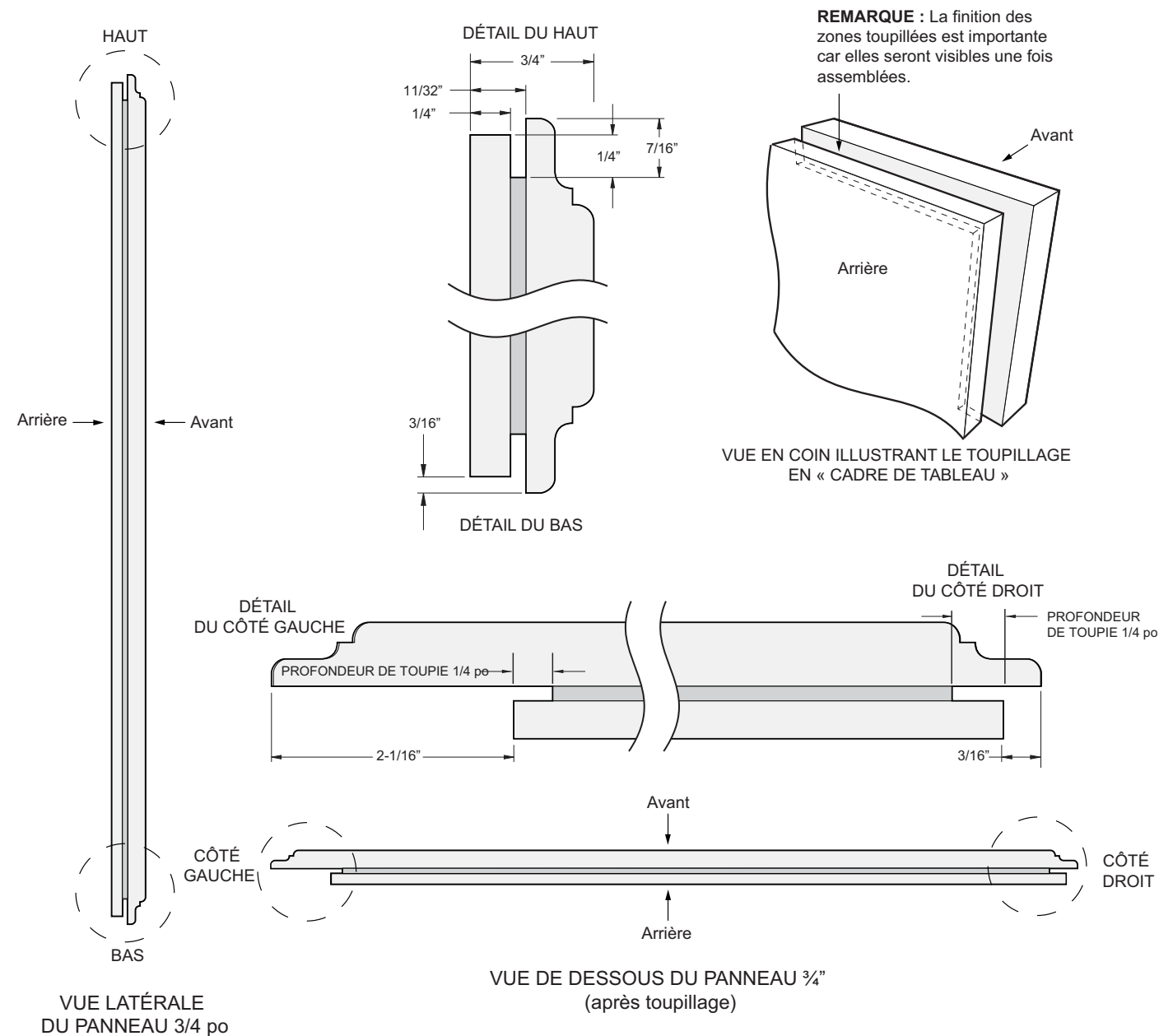
## EMPLACEMENT DU RÉFRIGÉRATEUR

- N'installez pas le réfrigérateur à un endroit où la température peut descendre en dessous de 55 °F (13 °C). L'appareil ne fonctionnera pas suffisamment souvent pour maintenir les températures appropriées.
- N'installez pas le réfrigérateur/congélateur à un endroit où la température monter au-delà de 100 °F (37 °C). L'appareil ne fonctionnera pas correctement.
- N'installez pas le réfrigérateur dans un endroit exposé à l'eau (pluie, etc.) ou aux rayons directs du soleil.
- À cet endroit, le plancher doit pouvoir supporter le poids du réfrigérateur pleinement chargé.

# Guide de conception - Installation affleurante pour réfrigérateur à deux portes avec congélateur en bas

## TOUPILLAGE DU PANNEAU DE PORTE RÉFRIGÉRATEUR SURÉLEVÉ 3/4 po (1,9 cm)

Le toupillage est nécessaire pour le panneau de porte surélevé de 3/4 po (1,9 cm). La profondeur de la toupie est de 1/4 po (0,63 cm) tout autour de la face arrière du panneau. Des réductions de largeur de panneau supplémentaires sont requises selon les illustrations ci-dessous. Cela va créer un toupillage en forme de « cadre de tableau » qui permettra de glisser le panneau dans la garniture de porte.

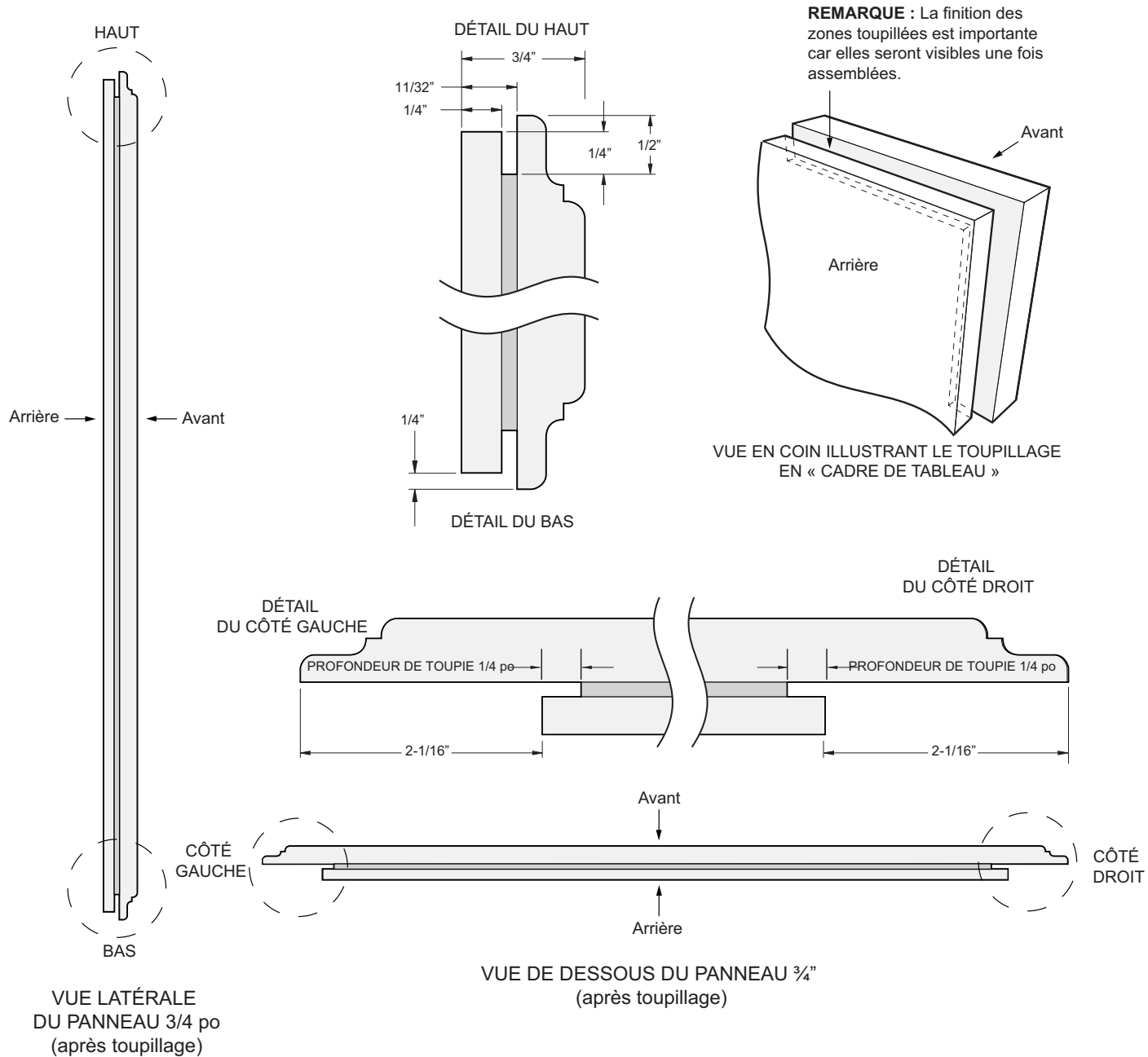


**REMARQUE :** Dans le cas de panneaux construits avec des traverses et des montants (5-panel), la largeur minimale est de 3 po (7,62 cm) pour les traverses et de 4 po (10,16 cm) pour les montants.

# Guide de conception - Installation affleurante pour réfrigérateur à deux portes avec congélateur en bas

## TOUPELLAGE DU PANNEAU DE TIROIR CONGÉLATEUR SURÉLEVÉ 3/4 po (1,9 cm)

Le toupillage est nécessaire pour le panneau de porte surélevé de 3/4 po (1,9 cm). La profondeur de la toupie est de 1/4 po (0,63 cm) tout autour de la face arrière du panneau. Des réductions de largeur de panneau supplémentaires sont requises selon les illustrations ci-dessous. Cela va créer un toupillage en forme de « cadre de tableau » qui permettra de glisser le panneau dans la garniture de porte.

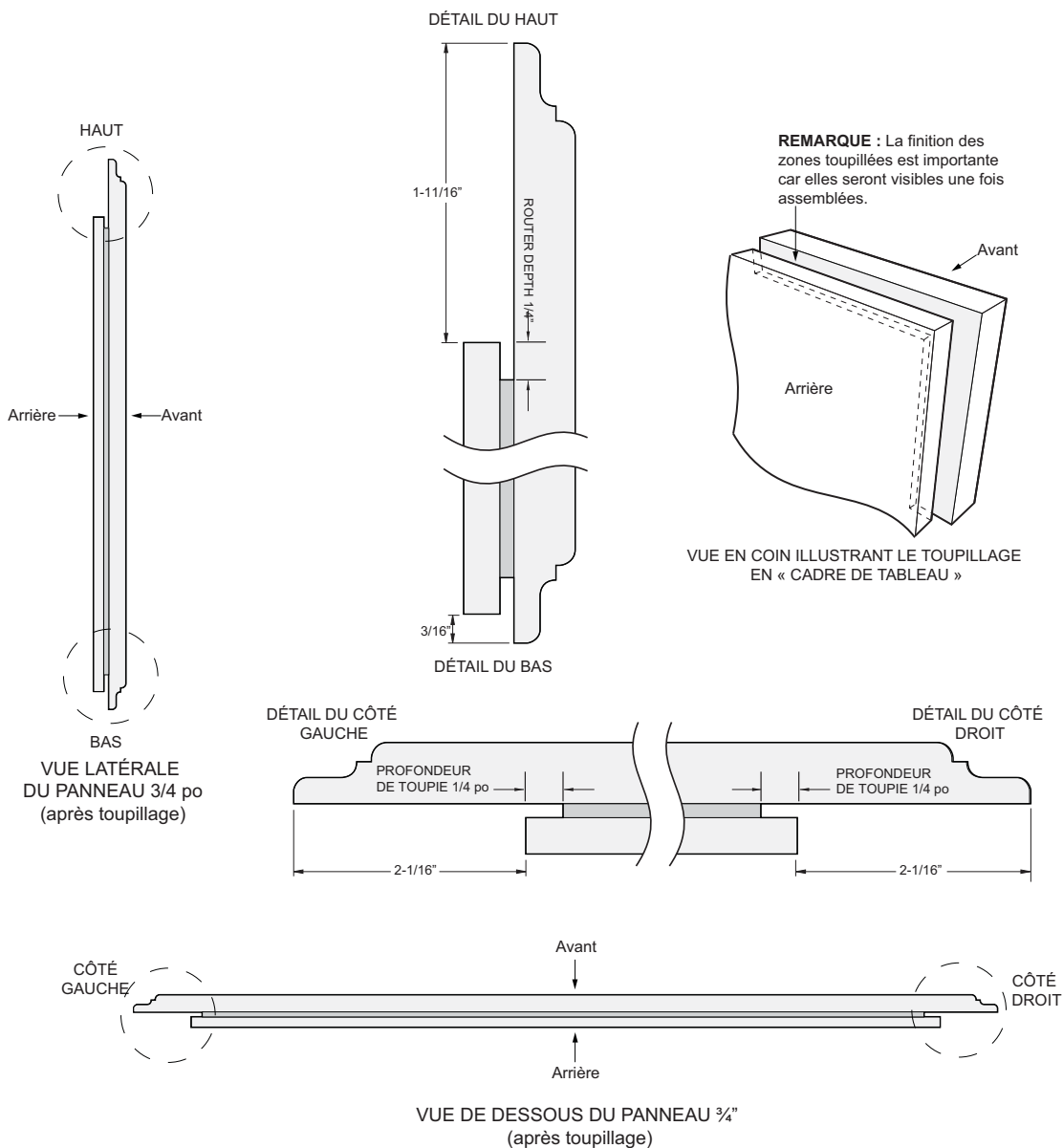


**REMARQUE :** Dans le cas de panneaux construits avec des traverses et des montants (5-panel), la largeur minimale est de 3 po (7,62 cm) pour les traverses et de 4 po (10,16 cm) pour les montants.

# Guide de conception - Installation affleurante pour réfrigérateur à deux portes avec congélateur en bas

## TOUPILLAGE DU PANNEAU DE GRILLE SURÉLEVÉ 3/4 po (1,9 cm)

Le toupillage est nécessaire pour le panneau de grille surélevé de 3/4 po (1,9 cm). Des réductions de largeur de panneau supplémentaires sont requises selon les illustrations ci-dessous. Cela va créer un toupillage en forme de « cadre de tableau » qui permettra de glisser le panneau dans la garniture de grille.



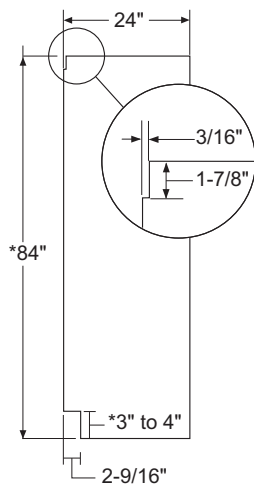
**REMARQUE :** Dans le cas de panneaux construits avec des traverses et des montants (5-panel), la largeur minimale est de 3 po (7,62 cm) pour les traverses et de 4 po (10,16 cm) pour les montants.

# Guide de conception - Installation affleurante pour réfrigérateur à deux portes avec congélateur en bas

## PANNEAUX LATÉRAUX

On doit utiliser des panneaux latéraux si les côtés du réfrigérateur sont exposés. Les panneaux latéraux de 1/4 po (0,63 cm) vont glisser dans la garniture latérale de caisson. Attachez les panneaux sur le réfrigérateur à l'aide de ruban autoagrippant (velcro). Commandez les panneaux latéraux auprès du fabricant d'armoires.

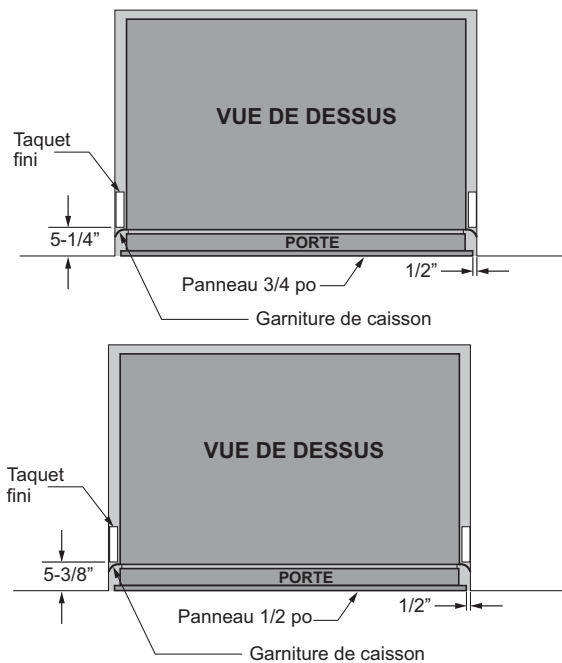
- Découpez une encoche dans le coin supérieur avant comme illustré pour le dégagement des clavettes d'angle dans la garniture latérale avant.



\* Selon la hauteur de l'installation.

## TAQUETS LATÉRAUX

Il faut installer des taquets de bois verticalement des deux côtés de l'ouverture afin de procurer une butée en profondeur pour le réfrigérateur lorsqu'il est installé dans l'ouverture. Les taquets doivent être installés selon les illustrations ci-dessous en fonction du type de panneau utilisé.



# Instructions d'installation - Installation affleurante pour réfrigérateur à deux portes avec congélateur en bas

## OUTILS REQUIS

- Cisaille pour couper le cerclage
- Escabeau
- Seau
- Niveau
- Diable pour électroménagers
- Coupe-tuyau
- Clé ouverte 7/16 po
- Tournevis à tête cruciforme no 2
- Perceuse et forets appropriés
- Douille 5/16, 7/16 po
- Lunettes de protection
- Clé ouverte 1 1/4 po
- Pince
- Cliquet 1/4 po

## QUINCAILLERIE FOURNIE AVEC L'APPAREIL

- Bouchon de dérivation de filtre
- Ferrures antibasculement
- Écrou et bague 1/4 po

## MATÉRIEL REQUIS

- Support antibasculement 2x4, 35 po long
- Tuyau de cuivre 1/4 po pour conduite d'eau ou trousse SmartConnect™ pour réfrigérateur
- Robinet de sectionnement
- Panneaux personnalisés, panneaux de tiroir congélateur et de grille
- Vis pour fixer le réfrigérateur aux armoires
- Ruban autoagrippant adhésif pour panneaux latéraux 1/4 po (0,63 cm)
- Trousse ZKFN nécessaire pour toutes les installations affleurantes

## PLANCHER

Une installation correcte exige que le réfrigérateur soit placé sur la surface d'un matériau dur de niveau et de la même hauteur que le reste du plancher. Cette surface doit être suffisamment robuste pour supporter un réfrigérateur pleinement chargé, ou environ 1200 lb. (544,31 kg)

**REMARQUE :** Protégez le fini du plancher. Découpez une grande section de carton et placez-la sous le réfrigérateur à l'endroit où vous travaillez.

## MISE À LA TERRE DU RÉFRIGÉRATEUR

### ⚠ AVERTISSEMENT Risque de choc électrique.

Le non-respect de ces instructions peut entraîner des risques d'incendies, des chocs électriques ou la mort.

Le cordon d'alimentation de cet appareil est équipé d'une fiche à trois broches (pour une mise à la terre) qui s'adapte à la prise de courant standard à 3 broches (pour une mise à la terre) pour minimiser les risques de chocs électriques par cet appareil.

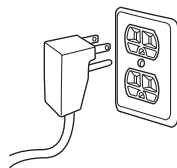
Faites vérifier la prise murale et le circuit électrique par un électricien qualifié pour s'assurer que le système est correctement mis à la terre.

Dans le cas d'une prise biphasée, l'installateur a la responsabilité et l'obligation de la remplacer par une prise triphasée correctement mise à la terre.

**NE COUPEZ PAS OU N'ENLEVEZ PAS, SOUS AUCUN PRÉTEXTE, LA TROISIÈME BROCHE DE MISE À LA TERRE DU CORDON D'ALIMENTATION.**

**N'UTILISEZ PAS D'ADAPTATEUR POUR BRANCHER LE RÉFRIGÉRATEUR À UNE PRISE BIPHASÉE.**

**N'UTILISEZ PAS DE RALLONGE AVEC CET APPAREIL.**



## ÉTAPE 1 RETRAIT DE L'EMBALLAGE

### ⚠ AVERTISSEMENT Risque de basculement

Le réfrigérateur est beaucoup plus lourd en haut qu'en bas. Il faut être prudent lors des déplacements. Si un diable est utilisé, il faut soulever le réfrigérateur sur le côté seulement.

- Coupez avec précaution le cerclage dans le haut et le bas, retirez le carton extérieur.
- Retirez les montants d'angle arrière (2) en les glissant.
- En le glissant, retirez le carton du haut de l'appareil.

**REMARQUE :** IL N'EST PAS NÉCESSAIRE DE DÉPOSER L'APPAREIL POUR RETIRER LE PATIN!

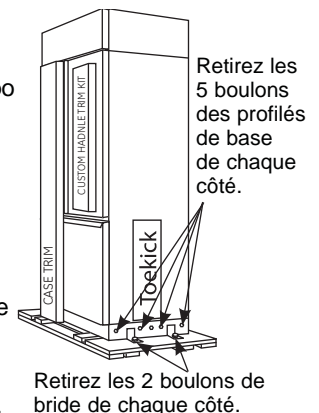
- L'appareil est fixé sur le patin à l'aide de 2 brides d'arrimage pleine longueur. Retirez les dix boulons 5/16 po des profilés de base dans les brides.

- Retirez les quatre boulons 7/16 po qui fixent les brides sur le patin.

**REMARQUE : REMARQUE : NE TENTEZ PAS DE ROULER L'APPAREIL HORS DU PATIN.**

- Les blocs de support dans le bas du compartiment de réfrigération doivent être retirés avant que le réfrigérateur puisse être dégagé du patin, sinon il y a risque d'endommagement. Penchez avec précaution le réfrigérateur et glissez les blocs vers l'extérieur depuis le dessous.
- Retirez le coup-de-pied et mettez-le de côté pour l'installation finale.

- Retirez la boîte de garniture de caisson et la trousse de poignée personnalisée et les mettre de côté pour l'installation finale.
- Soulevez le réfrigérateur pour le dégager.



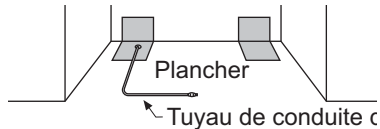


# Instructions d'installation - Installation affleurante pour réfrigérateur à deux portes avec congélateur en bas

## ÉTAPE 2 INSTALLER LA CONDUITE D'EAU

**⚠ AVERTISSEMENT** Raccordez l'appareil à une alimentation d'eau potable seulement.

- Une alimentation d'eau froide est requise pour faire fonctionner la machine à glaçons automatique. La pression d'eau doit se situer entre 40 et 120 psi (275 à 827 kPa).
- Acheminez le tuyau de cuivre 1/4 po (D.E.) ou le tuyau plastique SmartConnect™ entre la conduite d'eau froide du domicile et le raccord d'eau.
- Le tuyau doit être suffisamment long pour atteindre le devant de l'appareil. Prévoyez une longueur de tuyau suffisante pour la courbe menant au raccord de la conduite d'eau.



**REMARQUE :** Les seuls tuyaux en plastique approuvés par Monogram sont ceux inclus dans les trousse de tuyaux pour réfrigérateur SmartConnect™. N'utilisez pas d'autres tuyaux d'alimentation d'eau en plastique car ils seront sous pression constamment. D'autres types de plastique peuvent se fissurer ou se rompre avec le temps et occasionner des dégâts d'eau dans votre domicile.

Les trousse de tuyau pour réfrigérateur SmartConnect™ sont offertes dans les longueurs suivantes :

2' (.6 m) - WX08X10002

8' (2.4 m) - WX08X10006

15' (4.6 m) - WX08X1 0015

25' (7.6 m) - WX08X10025

**Fermez l'alimentation d'eau principale.**

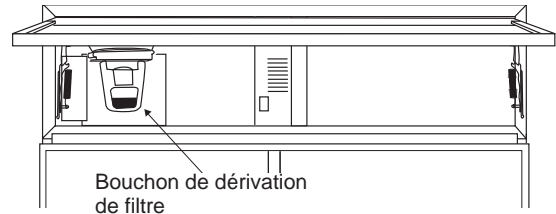
Ouvrez le robinet le plus près suffisamment longtemps pour nettoyer la conduite d'eau.

- Installez un robinet de sectionnement entre le robinet d'eau de la machine à glaçons et le tuyau d'eau froide dans le sous-sol ou une armoire. Le robinet de sectionnement doit être situé à un endroit aisément accessible.
- Ouvrez l'alimentation d'eau principale et rincez les débris. Faites couler environ un litre d'eau à travers le tuyau aboutissant dans un seau. Coupez l'alimentation d'eau au robinet de sectionnement.

**REMARQUE :** Des robinet de sectionnement à étrier sont inclus dans plusieurs trousse d'alimentation d'eau, mais ils ne sont pas recommandés pour cette application.

## ÉTAPE 2A INSTALLATION D'UNE CONDUITE D'EAU AVEC SYSTÈME D'OSMOSE INVERSE

Sautez cette étape si vous n'utilisez pas de système OI. Si la conduite d'eau au réfrigérateur provient d'un système d'osmose inverse, utilisez le bouchon de dérivation de filtre du réfrigérateur. L'utilisation de la cartouche filtrante du réfrigérateur avec le filtre du système OI peut générer des glaçons creux.

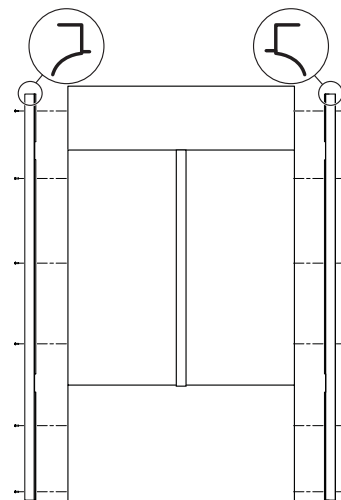


## ÉTAPE 3 INSTALLER LES PANNEAUX LATÉRAUX

Sautez cette étape si vous n'utilisez pas de panneaux latéraux. Si vous utilisez des panneaux latéraux 1/4 po (0,63 cm), il faut les insérer dans la garniture de caisson. Fixez les panneaux sur le réfrigérateur à l'aide de ruban autoagrippant adhésif avant de mettre le réfrigérateur en place.

## ÉTAPE 4 INSTALLER LA GARNITURE DE CAISSON

L'appareil est livré avec une garniture de caisson déjà attachée pour une installation standard. La garniture de caisson pour installation affleurante est fournie dans la trousse ZKFN. Retirez la garniture de caisson installée à l'usine. Installez la nouvelle garniture à l'aide des pièces de garniture droite et gauche et leurs vis. Fixez la garniture sur chaque côté du caisson comme illustré à l'aide des vis de garniture de caisson, dans les trous présents de chaque côté du caisson. Les découpes sur la garniture de caisson doivent s'aligner sur les charnières de porte réfrigérateur inférieures.



# Instructions d'installation - Installation affleurante pour réfrigérateur à deux portes avec congélateur en bas

## ÉTAPE 5 DISPOSITIF ANTIBASCULEMENT

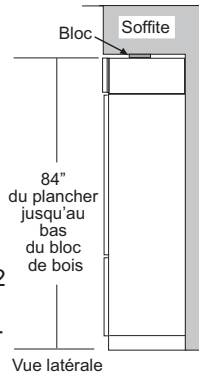
### ⚠ AVERTISSEMENT



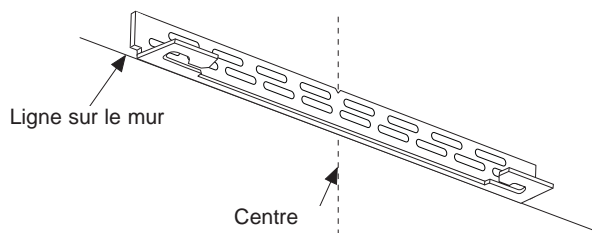
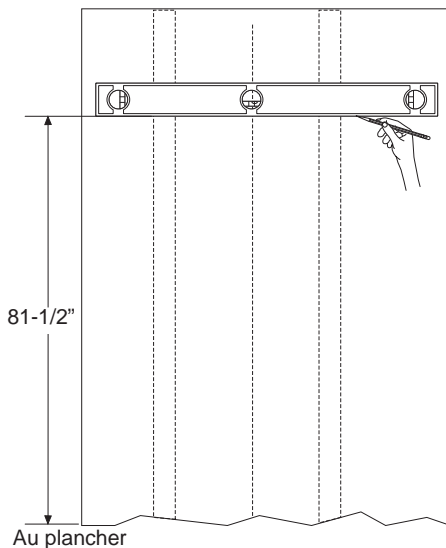
### Risque de

**basculement** Ces réfrigérateurs présentent une partie supérieure lourde, en particulier avec une porte ouverte; ils doivent donc être fixés pour prévenir le basculement vers l'avant et le risque concomitant de blessure grave ou fatale. Lisez et suivez les instructions d'installation complètes pour l'installation du système anti-basculement.

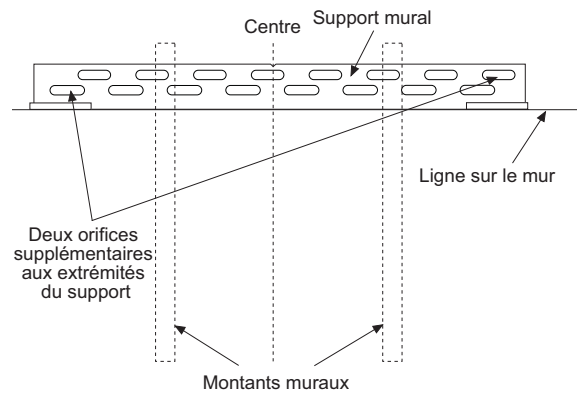
- Coupez un bloc de 1 x 4 po, sur 35 po (88,9 cm) de long.
- Mesurez et marquez en dessous du soffite à 5 ¼ po (13,34 cm) du bord avant de l'armoire.
- Fixez le bloc de bois en dessous du soffite. La distance entre le bas du bloc et le plancher fini doit mesurer 84 po (213,36 cm). Voyez l'illustration.
- La trousse fournie avec l'appareil contient 2 tirefonds et 4 orifices filetés à ailettes avec boulons. Le support mural sera fixé au mur à 4 endroits.



- Mesurez l'ouverture où l'appareil sera installé. Marquez une ligne verticale au centre.
- Mesurez 81-1/2" (207.01 cm) depuis le plancher. Marquez ce point sur le mur.
- À l'aide d'un niveau, tracez une ligne horizontale sur le mur à cette hauteur.
- Repérez au moins 2 montants sur le mur arrière. Marquez ces points sur la ligne horizontale.
- Placez le bas du support mural avec ses languettes sur la ligne horizontale. Alignez l'encoche centrale du support sur la ligne de centre sur le mur.



- Le support mural antibasculement est doté d'une série de trous. Identifiez 2 trous vis-à-vis les montants repérés. Assurez-vous que les trous identifiés se situent au centre des montants. Marquez ces points sur le mur.
- Marquez un trou supplémentaire à chaque extrémité du support. Si l'un des montants se trouve plus près de l'extrémité du support, marquez un trou supplémentaire vers le centre.

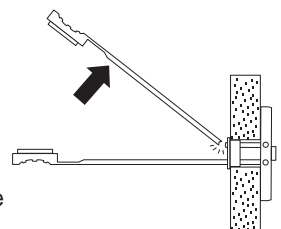
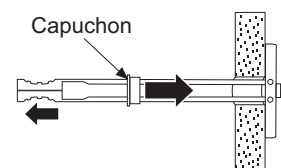
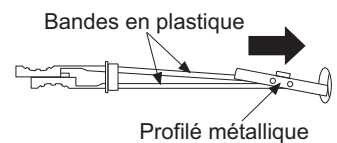


- Percez des trous de 1/2 po (1,27 cm) dans le panneau mural aux marques des points de montage des orifices à ailettes (et non aux marques des montants muraux).
- Percez des trous 3/16 po (0,47 cm) dans les montants en bois aux marques. Si les montants sont en métal, percez des trous de 1/2 po dans les montants aux marques. Vous utiliserez 2 orifices à ailettes pour boulons avec les montants métalliques.

### Posez les orifices à ailettes :

Pour se procurer les orifices à ailettes avec leurs boulons, on peut commander la trousse de réparation no WR49X10193. Les orifices à ailettes sont posés dans la cloison sèche et les montants métalliques à des fins de stabilité. Posez les orifices à ailettes comme suit :

- Percez des trous de 1/2 po (1,27 cm) aux marques faites dans les trous aux extrémités du support mural.
- Tenez le profilé métallique à plat contre les bandes en plastique et glissez le profilé dans le trou.
- Tirez délicatement les extrémités des bandes en plastique pour appuyer le profilé à plat derrière le mur.
- Tenez les extrémités des bandes avec une main et glissez le capuchon en plastique le long des bandes jusqu'à ce que le rebord du capuchon soit à égalité avec le mur.
- Placez votre pouce entre les bandes en plastique et pliez vers le haut et le bas pour sectionner les bandes hors du mur.

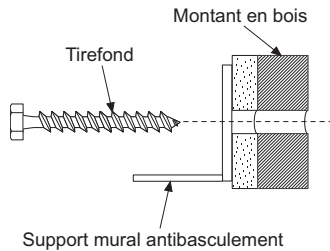


# Instructions d'installation - Installation affleurante pour réfrigérateur à deux portes avec congélateur en bas

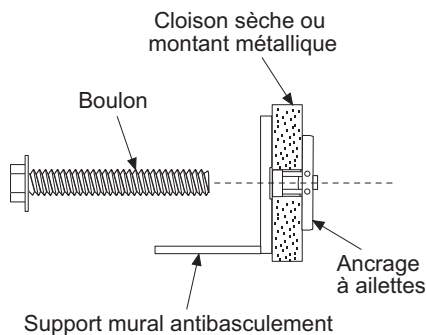
## ÉTAPE 5 DISPOSITIF ANTIBASCULEMENT (suite)

### Poser les vis et les boulons :

- Demandez à une personne de tenir le support mural centré et bien en place, chaque trou aligné sur la fente appropriée du support, de niveau avec la ligne horizontale.
- Insérez les tirefonds à travers le support et le montant. Serrez avec une clé.



- Vissez fermement à la main les boulons dans les ancrages à ailettes. Serrez avec une clé.



## BRANCHER LE CORDON D'ALIMENTATION :

- Avant de pousser le réfrigérateur dans l'ouverture, branchez le cordon électrique dans la prise. Ouvrez le panneau de grille et prenez le cordon électrique à l'arrière de l'ouverture. Tirez le cordon dans l'ouverture à mesure que vous repoussez le réfrigérateur.
- Poussez avec soin le réfrigérateur dans l'ouverture avec les mains sur les coins frontaux.

**IMPORTANT :** Lorsque le réfrigérateur est installé en-dessous d'un soffite, ou si la hauteur n'est pas suffisante pour cette méthode de sécurité, on ne peut pas utiliser de supports. Allez à l'étape 6 pour mettre le réfrigérateur de niveau puis à l'étape 8 pour le fixer aux armoires.

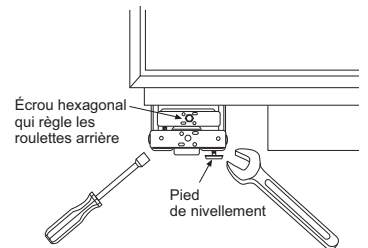
## ÉTAPE 6 METTRE LE RÉFRIGÉRATEUR DE NIVEAU

Tous les modèles sont dotés de 4 points de nivellement. Le devant est supporté par des pieds de nivellement; l'arrière par des roulettes réglables. Les deux types sont accessibles depuis le devant du réfrigérateur.

- Pour niveler l'arrière du réfrigérateur, tournez l'écrou hexagonal 7/16 po situé au dessus des roulettes avant. Tournez dans le sens des aiguilles pour lever l'appareil, dans le sens inverse pour le baisser.

- Pour niveler le devant, utilisez une clé ouverte 1 1/4 po (3,175 cm).

- Ajustez la hauteur du réfrigérateur pour l'adapter à l'ouverture de 83 1/2 po (212,09 cm) à 84 1/2 po (214,63 cm). Le réfrigérateur doit être de niveau et aplombé aux armoires.



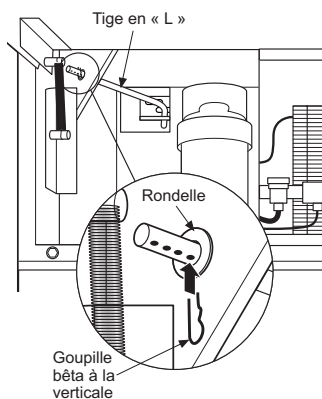
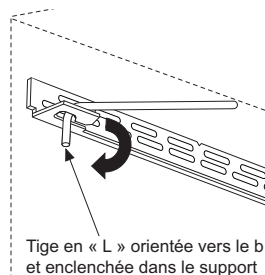
Les roulettes de nivellement arrière et les pieds de nivellement avant sont limités à une hauteur de réglage maximale de 1 po (2,54 cm).

Si l'installation exige une hauteur supérieure à 84 1/2 po (214,63 cm), l'installateur doit surélever l'appareil sur une feuille de contreplaqué ou des rails. On peut aussi ajouter une garniture d'armoire dans le haut de l'ouverture pour raccourcir celle-ci. Une tentative de lever le réfrigérateur de plus de 1 po (2,54 cm) endommagera les pieds de nivellement avant et les roulettes de nivellement arrière.

# Instructions d'installation - Installation affleurante pour réfrigérateur à deux portes avec congélateur en bas

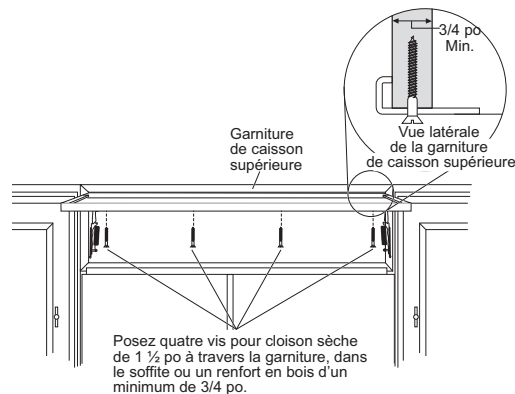
## ÉTAPE 7 FIXER L'APPAREIL AU MUR

- La tige en « L » se trouve dans le coin supérieur gauche de l'appareil dans le compartiment d'accès. Regardez dans le compartiment d'accès pour vous assurer que la tige s'aligne sur le support antibasculement.
- Deux rondelles et une goupille bêta accompagnent la tige. Retirez les rondelles et la goupille de l'extrémité de la tige.
- Tournez et déplacez la tige en « L » dans la fente de la languette du support antibasculement. Une fois dans la fente, tournez la tige en « L » de façon que son crochet pointe vers le bas. Les trous à l'extrémité avant de la tige doivent être en position verticale.
- Tirez sur l'extrémité de la tige pour vous assurer qu'elle est bien fixée dans le support.
- Repérez le trou dans la tige qui se trouve au plus près de l'appareil. Une goupille bêta sera insérée dans ce trou pour verrouiller la tige. Si ce trou semble trop loin pour assurer un bon ajustement contre l'appareil, ajoutez une rondelle à la fois jusqu'à ce que la goupille soit bien ajustée dans le trou.
- Alignez la section droite de la goupille sur le trou du dessous de la tige. Poussez la goupille vers le haut jusqu'à ce qu'elle s'enclenche en position. Une pince peut être utilisée. **REMARQUE** : La goupille bêta doit être verticale une fois cette étape achevée pour s'assurer que la tige en « L » est bien enclenchée dans le support.
- Vérifiez le bon ajustement de la tige en la tirant vers l'avant. Si elle bouge, retirez la goupille bêta et placez une autre rondelle sur la tige. Réinsérez la goupille.

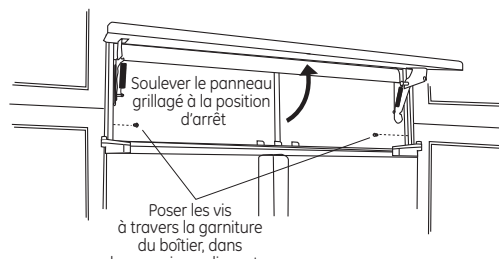


## ÉTAPE 8 AUTRES DISPOSITIFS ANTIBASCULEMENT

Le réfrigérateur doit être fixé afin de prévenir le basculement. S'il est impossible d'utiliser le support antibasculement, on peut recourir à cette autre méthode pour empêcher le réfrigérateur de basculer.



- Soulevez le panneau de grille pour accéder à la garniture de caisson.
- Utilisez un foret 3/16 po pour percer quatre trous de dégagement uniformément espacés à travers la garniture de caisson supérieure.
- Utilisez un foret 1/16 po pour percer des trous de guidage à travers les trous de dégagement métalliques, dans le soffite en bois. Les trous doivent être centrés dans le soffite ou un renfort en bois d'un minimum de 3/4 po. Le renfort sur la largeur de l'ouverture doit être fixé solidement dans les armoires des deux côtés.
- Posez quatre vis pour cloison sèche de 1 1/2 po (3,81 cm) dans les trous de guidage.
- En l'absence de soffite au dessus de l'appareil, vissez des vis dans les armoires adjacentes, à travers la garniture de caisson latérale.

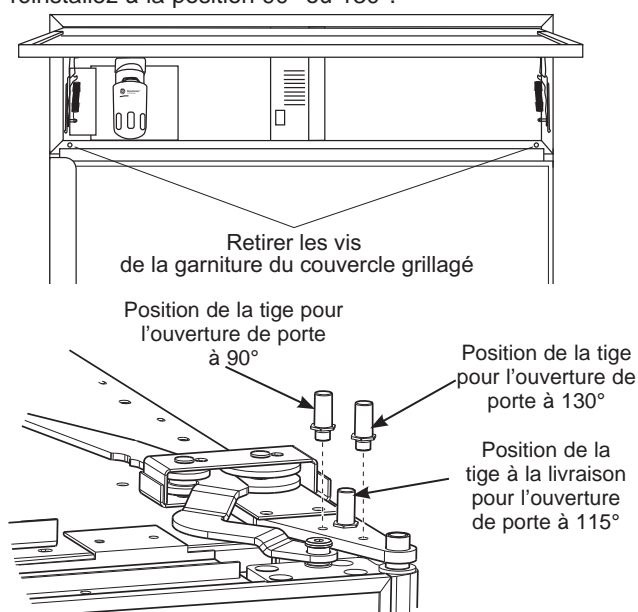


# Instructions d'installation - Installation affleurante pour réfrigérateur à deux portes avec congélateur en bas

## ÉTAPE 9 AJUSTER L'OUVERTURE DE PORTE

**REMARQUE :** Ce réfrigérateur est doté d'une butée de porte à 3 positions. Lorsque l'espace est insuffisant pour une ouverture de porte complète à 115°, on peut ramener l'ouverture à 90°. Une ouverture à 130° est offerte pour l'installation standard seulement. Si elle est utilisée pour une installation affleurante, les panneaux en bois seront endommagés. **Sautez cette étape si l'ouverture de porte est satisfaisante pour votre installation.**

- Soulevez le panneau de grille pour accéder à la garniture du couvercle grillagé.
- Retirez les vis des deux côtés de la garniture du couvercle grillagé et faites pivoter pour dégager.
- Utilisez une pince pour dévisser la butée de porte puis réinstallez à la position 90° ou 130°.



- Réinstallez la garniture de couvercle grillagé.

### ⚠ AVERTISSEMENT

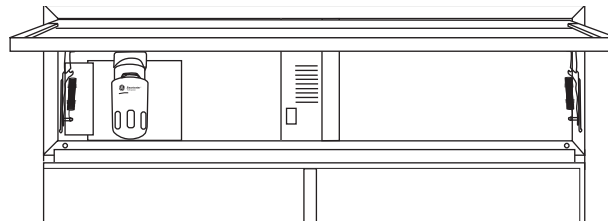


### Risque de pincement de

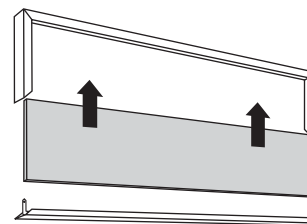
**doigts :** Une installation incorrecte peut poser un risque de coincement de doigts entre la garniture de porte latérale et les armoires en actionnant la porte, en particulier pour les enfants. Pour réduire ce risque, vous devez suivre les instructions d'installation relatives aux dimensions d'armoire, au montage des garnitures et à l'angle de l'arrêt de porte.

## ÉTAPE 10 INSTALLER LE PANNEAU DE GRILLE

- Levez le panneau d'accès jusqu'à la position d'arrêt.



- Desserrez les vis sur la garniture latérale derrière le cadre. Retirez la garniture inférieure.
- Glissez le panneau par-dessus le panneau de fond métallique et dans la garniture.
- Si nécessaire, tapotez avec un bloc de bois jusqu'à ce que le panneau glisse sous la garniture supérieure.
- Réassemblez la garniture inférieure. Serrez les vis.
- Réglez le ressort de charnière selon le poids du panneau, si nécessaire.



# Instructions d'installation - Installation affleurante pour réfrigérateur à deux portes avec congélateur en bas

## ÉTAPE 11 INSTALLER LES PANNEAUX ASSEMBLÉS

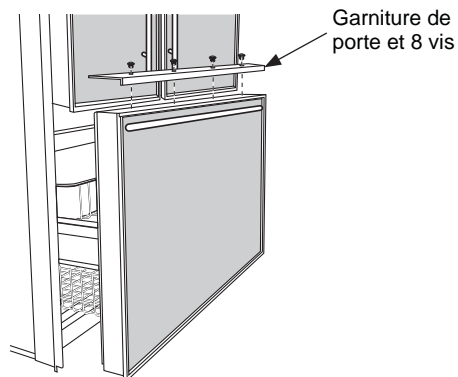
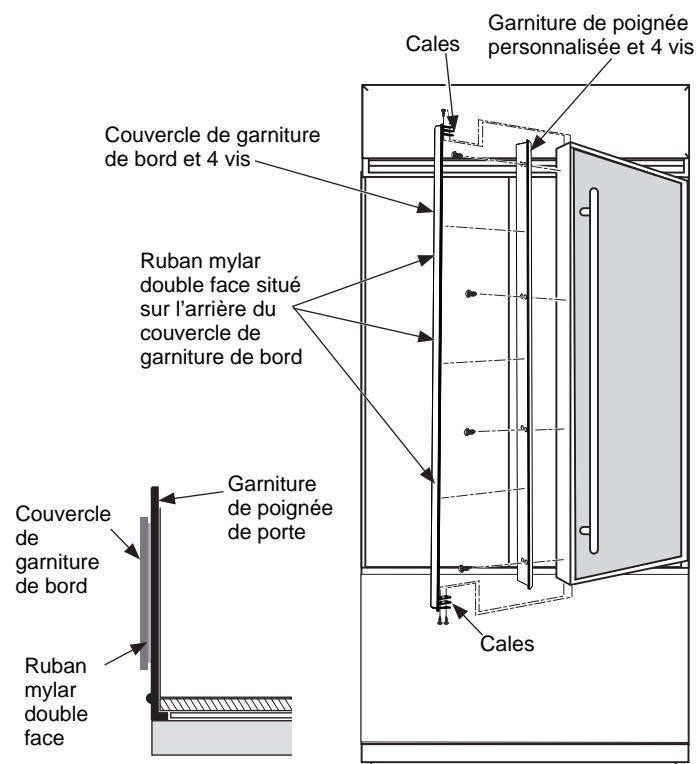
- Installez les poignées personnalisées selon les instructions du fabricant.

### PORTES DU COMPARTIMENT RÉFRIGÉRATEUR

- En débutant par la porte réfrigérateur droite, glissez le panneau de porte assemblé dans la garniture sur la porte.
- Placez la garniture de poignée personnalisée contre le côté de la porte réfrigérateur, alignée verticalement. Les trous de la garniture doivent s'aligner sur les trous dans la porte.
- Fixez la garniture de poignée personnalisée à l'aide des 8 vis précédemment retirées.
- Répétez ces étapes pour la porte réfrigérateur gauche.

### TIROIR DU CONGÉLATEUR

- Glissez le panneau assemblé dans la garniture de tiroir.
- Fixez la garniture de tiroir d'origine à l'aide des vis de garniture à tête ronde d'origine.

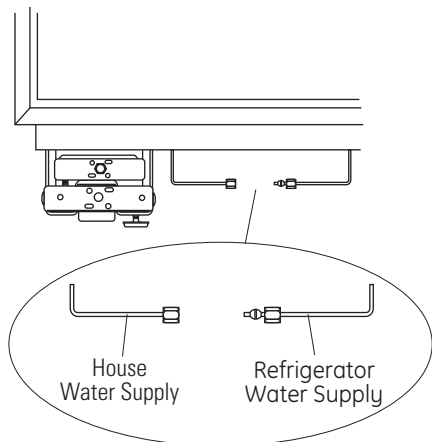




# Instructions d'installation - Installation affleurante pour réfrigérateur à deux portes avec congélateur en bas

## ÉTAPE 12 RACCORDEMENT DE L'ALIMENTATION D'EAU

**⚠ AVERTISSEMENT** Raccordez l'appareil à une alimentation d'eau potable seulement.



- Repérez et acheminez le tuyau à l'avant de l'armoire.
- Ouvrez l'alimentation d'eau pour rincer les débris de la conduite. Faites couler environ un litre d'eau à travers le tuyau aboutissant dans un seau, puis fermez l'alimentation d'eau.

### Tuyau de cuivre :

- Enfilez un écrou 1/4 po et une bague d'extrémité (fournis) aux deux bouts du tuyau de cuivre. Insérez le tuyau dans le raccord union sur l'appareil et serrez l'écrou sur le raccord union.
- Ouvrez l'alimentation d'eau pour vérifier l'absence de fuites.

### Tuyau SmartConnect™ :

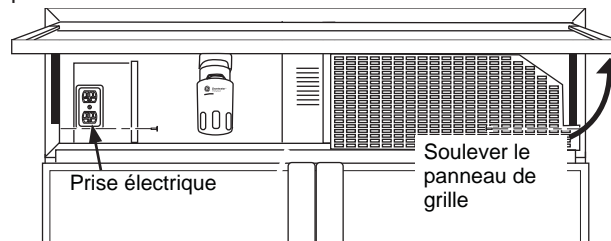
**REMARQUE :** Les seuls tuyaux en plastique approuvés par Monogram sont ceux inclus dans les trousse de tuyaux pour réfrigérateur SmartConnect™. N'utilisez pas d'autres tuyaux d'alimentation d'eau en plastique car ils seront sous pression constamment. D'autres types de plastique peuvent se fissurer ou se rompre avec le temps et occasionner des dégâts d'eau dans votre domicile.

- Insérez l'extrémité moulée du tube dans le raccord du réfrigérateur. Serrez l'écrou à compression à la main.
- Serrez ensuite d'un tour supplémentaire avec une clé. Un serrage excessif peut causer des fuites!
- Ouvrez l'alimentation d'eau pour vérifier l'absence de fuites.

**REMARQUE :** Assurez-vous que la longueur de tuyau excédentaire ne gêne pas la fermeture du tiroir ou l'installation du coup-de-pied.

## ÉTAPE 13 BRANCHER L'ALIMENTATION ÉLECTRIQUE

- Assurez-vous que le cordon électrique est branché dans la prise.

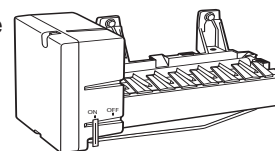


- Assurez-vous que l'électricité alimente le réfrigérateur en ouvrant la porte pour voir si les lampes sont allumées.
- Les commandes de température sont pré-réglées à 37 °F (2,78 °C) pour le compartiment réfrigérateur et 0 °F (-17,78 °C) pour le congélateur.
- Allouez 24 heures pour stabiliser la température avant de faire des réglages.

## ÉTAPE 14 DÉMARRER LA MACHINE À GLAÇONS

**⚠ ATTENTION** Évitez tout contact avec les pièces mobiles du mécanisme d'éjection, ou l'élément chauffant (situé dans le bas de la machine à glaçons) qui libère les glaçons. Ne placez pas les doigts ou les mains sur le mécanisme de production de glace automatique lorsque le congélateur est branché dans la prise électrique.

- La machine à glaçons commencera à fonctionner automatiquement.
- Assurez-vous que rien ne gêne le mouvement du bras palpeur.
- Jetez le premier seau plein de glaçons.
- Pour éteindre la machine à glaçons, voir la section Installation standard.



**REMARQUE :** La machine à glaçons fonctionne mieux à une pression d'eau domestique entre 40 et 120 PSI (275 à 827 kPa).



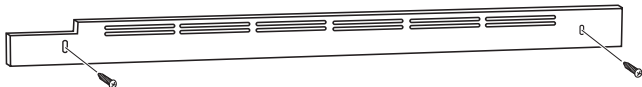
# Instructions d'installation - Installation affleurante pour réfrigérateur à deux portes avec congélateur en bas

## ÉTAPE 15 INSTALLER LE COUP-DE-PIED

- On peut installer un coup-de-pied personnalisé pour s'agencer aux armoires environnantes.

**IMPORTANT :** Cette plinthe personnalisée NE DOIT PAS recouvrir les fentes d'aération horizontales de la plinthe fabriquée pour le réfrigérateur d'origine et doit dépasser une longueur de 4,1 cm (1 5/8 po) de chaque côté. La hauteur finale doit être découpée lorsque l'appareil est à niveau.

- Fixez l'assemblage de coups-de-pied sur le réfrigérateur à l'aide des vis fournies (2).



## INSPECTER L'INSTALLATION FINALE

### Vérifiez l'alignement de la porte.

Tenez-vous à distance du réfrigérateur pour inspecter l'installation finale.

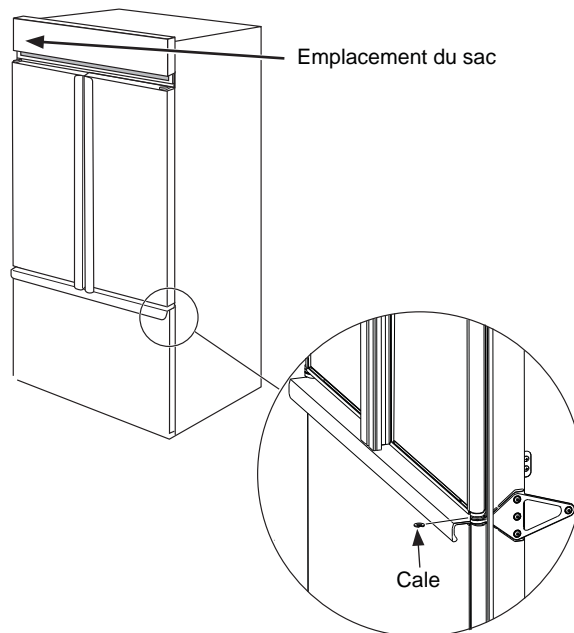
- L'installation ou l'ajout de panneaux de portes lourds peut désaligner les portes légèrement. Assurez-vous que les dessus de porte sont bien alignés. • Si nécessaire, on peut ajuster les portes du réfrigérateur vers le haut ou le bas pour qu'elles s'alignent bien.
- Ajoutez ou retirez des cales comme illustré pour ajuster la porte droite seulement. Des cales supplémentaires se trouvent sous le capot du côté gauche dans le sac qui contient le bouchon de dérivation de filtre et le mini-manuel.

### Pour soulever la porte droite

- Soulevez la porte droite jusqu'à obtenir un espace en-dessous de la bague de charnière inférieure.
- Insérez une cale sur l'axe de charnière en-dessous de la bague.
- Baissez la porte et revérifiez l'alignement.
- Répétez si nécessaire.

### Pour baisser la porte droite

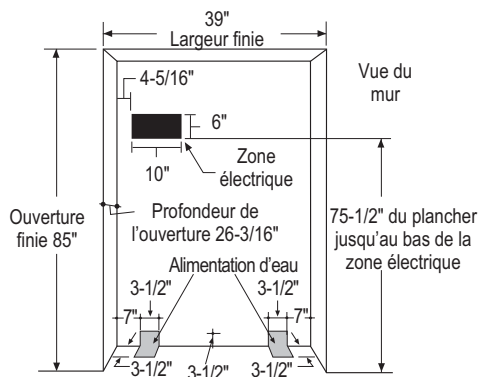
- Soulevez la porte droite jusqu'à obtenir un espace en-dessous de la bague de charnière inférieure.
- Retirez une cale en poussant la cale hors de l'axe de charnière.
- Baissez la porte et revérifiez l'alignement.
- Répétez si nécessaire.



# **Instructions pour réfrigérateur à congélateur en bas**

# Guide de conception - Installation affleurante pour réfrigérateur à congélateur en bas

## L'ESPACE D'INSTALLATION



### Emplacements des alimentations d'eau et électrique.

Les alimentations d'eau et électrique doivent se situer comme illustré.

La profondeur de l'ouverture doit mesurer 26 3/16 po (66,52 cm).

Des taquets en bois sont nécessaires pour une installation affleurante. Voyez la section Taquets latéraux à la page 28.

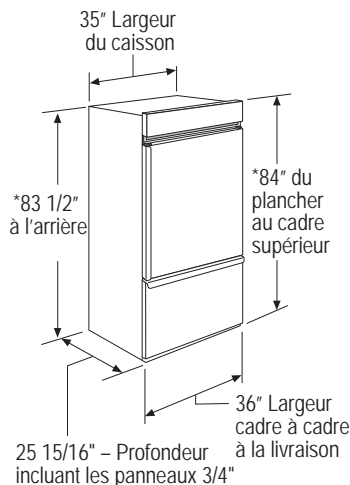
### Profondeur de l'ouverture en dessous d'un soffite :

Si l'installation s'effectue sous un soffite, celui-ci ne peut dépasser la profondeur de l'installation de 26-3/16" (66.52 cm) illustrée. La garniture de caisson supérieure chevauche le bas du soffite.

### Spécifications supplémentaires

- Une alimentation électrique de 115 volts, 60Hz, 15 ou 20 ampères est requise. Un circuit de dérivation ou un disjoncteur distinct correctement mis à la terre sont recommandés. Installez une prise électrique à trois alvéoles correctement mise à la terre encastrée dans le mur arrière. Le câblage électrique doit se situer sur le mur arrière comme illustré.
- La conduite d'eau peut pénétrer dans l'ouverture à travers le plancher ou le mur arrière. Acheminez la trousse SmartConnect™ ou un tuyau de cuivre de 1/4 po (D.E.) entre la conduite d'eau froide et le lieu du raccord d'eau. Le tuyau doit être suffisamment long pour atteindre le devant de l'appareil. L'installation d'un robinet de sectionnement aisément accessible est requise.

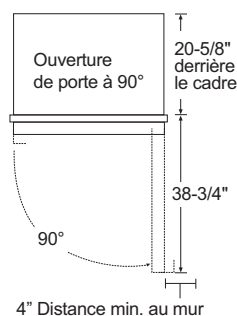
## DIMENSIONS ET DÉGAGEMENTS



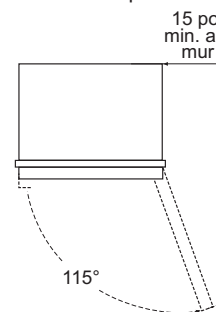
\* Hauteur à la livraison. On peut ajuster le réfrigérateur pour le placer dans une ouverture de 85" (215.9 cm) de hauteur. Utilisez les pieds de nivellement et les roulettes pour un ajustement en hauteur maximal de 1 po (2,54 cm).

### Dégagements du produit

Ces réfrigérateurs sont dotés d'une butée à 3 positions. L'ouverture de porte de 115° réglée à l'usine peut s'ajuster à 90° si le dégagement aux armoires ou aux murs adjacents est restreint.



### Ouverture de porte à 115°

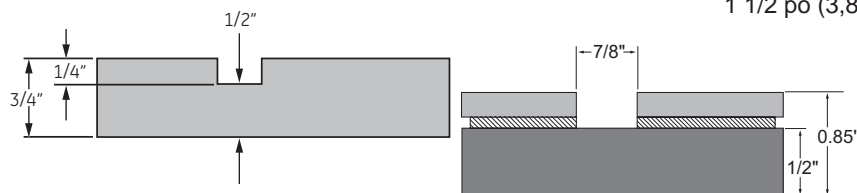


Pour une ouverture de porte à 90°, allouez un dégagement minimal de 4 po (10,16 cm) à un mur. Si l'on utilise la position à 90°, l'accès au plateau est maintenu mais son retrait est restreint.

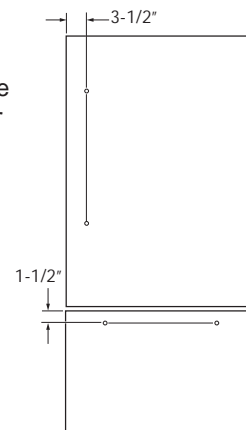
## GUIDE DE CONCEPTION POUR POIGNÉES PERSONNALISÉES

Une installation exige d'utiliser des poignées personnalisées. L'installation de ces poignées nécessite que les trous contre-perçés sur la face arrière des panneaux décoratifs laissent une épaisseur de 1/2 po (1,27 cm) de matériau pour le support de poignée.

**REMARQUE :** Le diamètre du trou contre-perçé ne doit pas dépasser 1 po (2,54 cm).



La distance minimale sur la porte réfrigérateur entre le bord côté poignée et le centre de la poignée doit mesurer 3 1/2 po (8,89 cm) comme illustré. La distance minimale sur la porte congélateur entre le bord supérieur et le centre de la poignée doit mesurer 1 1/2 po (3,81 cm) comme illustré.



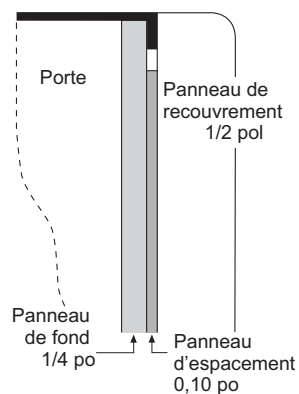
# Guide de conception - Installation affleurante pour réfrigérateur à congélateur en bas

## DIMENSIONS DU PANNEAU DE RECOUVREMENT 1/2 po (1,27 cm)

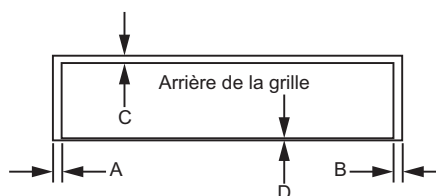
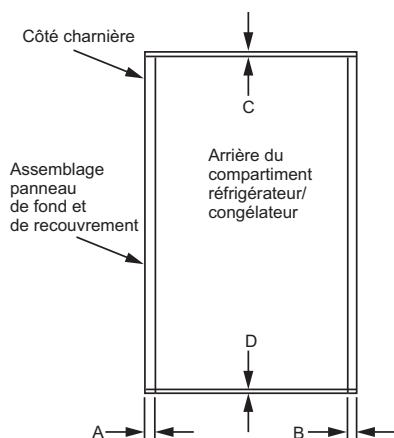
Pour une apparence davantage personnalisée, on peut installer des panneaux de recouvrement sur les modèles avec garnitures. Il faut poser le panneau de recouvrement sur un panneau de fond de 1/4 po (63 cm) qui glissera dans la garniture. Un panneau d'espacement de 0,10 po (0,25 cm) d'épaisseur doit être placé entre les panneaux de recouvrement et de fond.

### Assemblez les panneaux avec de la colle et des vis.

- Centrez le panneau d'espacement sur le panneau de fond, horizontalement et verticalement. Fixez les panneaux avec de la colle.
- Reportez-vous à l'illustration suivante pour identifier le panneau de fond par rapport au panneau de recouvrement. Fixez le panneau de recouvrement sur le panneau de fond avec de la colle et des vis. Il faut noyer les vis dans le panneau de fond.



$$.250" + .10" + .50" = .850" \text{ Épaisseur totale des panneaux} \\ (0.635 \text{ cm} + 0.254 \text{ cm} + 1.27 \text{ cm} = 2.159)$$



	A	B	C	D
Panneau de porte	2-1/16" (5.24 cm)	2-1/16" (5.24 cm)	5/16" (0.79 cm)	3/16" (0.47 cm)
Panneau de tiroir	2-1/16" (5.24 cm)	2-1/16" (5.24 cm)	5/16" (0.79 cm)	3/16" (0.47 cm)
Panneau de grille	2-1/16" (5.24 cm)	2-1/16" (5.24 cm)	1-11/16" (4.28 cm)	3/16" (0.47 cm)

**REMARQUE IMPORTANTE :** Poids total maximal des panneaux assemblés :

- Panneau de porte réfrigérateur – 75 lbs. (34.02 cm)
- Panneau de grille – 18 lbs. (8.16 cm)

### Dimensions du panneau

	Réfrigérateur	Congélateur	Grille
Panneau de fond 1/4 po (0,63 cm)	46-1/16" x 33-7/8" (116.99 cm x 86.04 cm)	21-7/8" x 33-7/8" (55.56 cm x 86.04 cm)	8-7/8" x 33-7/8" (22.54 cm x 86.04 cm)
Panneau d'espacement 0,10 po (0,25 cm)	44-11/16" x 32-1/2" (113.51 cm x 82.55 cm)	20-1/2" x 32-1/2" (52.07 cm x 82.55 cm)	7-5/8" x 32-1/2" (16.37 cm x 82.55 cm)
Panneau de recouvrement 1/2 po (1,27 cm)	49-9/16" x 38" (125.89 cm x 96.52 cm)	22-7/16" x 38" (56.99 cm x 96.52 cm)	10-11/16" x 38" (27.15 cm x 96.52 cm)

# Guide de conception - Installation affleurante pour réfrigérateur à congélateur en bas

## DIMENSIONS DU PANNEAU DÉCORATIF 3/4 po (1,9 cm)

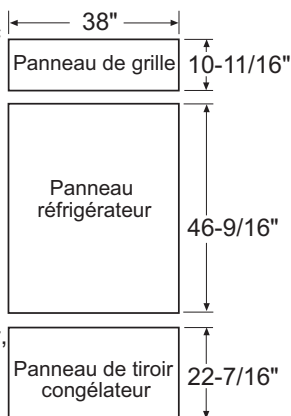
Pour une apparence plus personnalisée, on peut installer les panneaux décoratifs de façon à ce qu'ils affleurent les armoires environnantes. L'épaisseur du panneau de recouvrement doit être de 3/4 po (1,9 cm). Le panneau se fixe avec les supports inclus pour montage sur la porte de l'électroménager.

**REMARQUE :** Nous recommandons que les panneaux décoratifs soient arrondis ou biseautés aux coins et bords intérieurs par un menuisier afin d'adoucir les bords coupants des panneaux. Les bords à traiter doivent inclure les bords supérieur, inférieur et côté charnière.

### REMARQUE IMPORTANTE :

Poids total maximal des panneaux assemblés :

- Panneau de porte – 67 lbs. (30.39 kg)
- Panneau de grille – 18 lbs. (8.16 kg)



### ⚠ AVERTISSEMENT



**Risque de pincement**

### de doigts

Une installation incorrecte peut poser un risque de coincement de doigts entre la garniture de porte latérale et les armoires en actionnant la porte, en particulier pour les enfants. Pour réduire ce risque, vous devez suivre les instructions d'installation relatives aux dimensions d'armoire, au montage des garnitures et à l'angle de l'arrêt de porte.

## RENSEIGNEMENTS SUR LA PERSONNALISATION :

### Panneaux encadrés ou de recouvrement, poignées personnalisées et trousse d'accessoires

Ces réfrigérateurs sont conçus pour être personnalisés à l'aide de panneaux décoratifs. Il faut donc se procurer des panneaux de porte et de grille personnalisés dans le marché.

### Panneaux latéraux

On doit utiliser des panneaux latéraux si les côtés du réfrigérateur sont exposés.

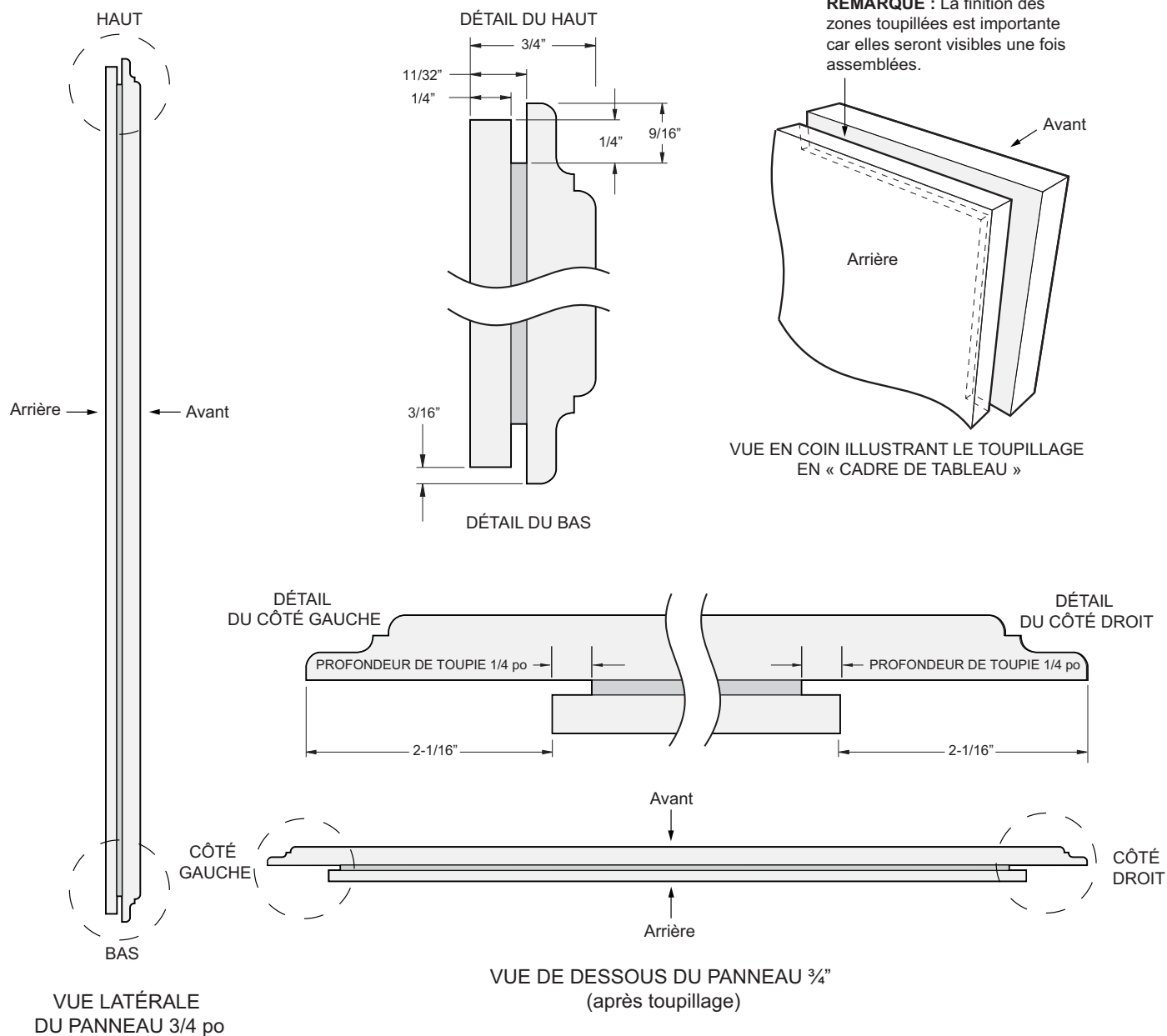
## EMPLACEMENT DU RÉFRIGÉRATEUR

- N'installez pas le réfrigérateur à un endroit où la température peut descendre en dessous de 55 °F (13 °C). L'appareil ne fonctionnera pas suffisamment souvent pour maintenir les températures appropriées.
- N'installez pas le réfrigérateur/congélateur à un endroit où la température monter au-delà de 100 °F (37 °C). L'appareil ne fonctionnera pas correctement.
- N'installez pas le réfrigérateur dans un endroit exposé à l'eau (pluie, etc.) ou aux rayons directs du soleil.
- À cet endroit, le plancher doit pouvoir supporter le poids du réfrigérateur pleinement chargé.

# Guide de conception - Installation affleurante pour réfrigérateur à congélateur en bas

## TOUPILLAGE DU PANNEAU DE PORTE RÉFRIGÉRATEUR SURÉLEVÉ 3/4 po (1,9 cm)

Le toupillage est nécessaire pour le panneau de porte surélevé de 3/4 po (1,9 cm). La profondeur de la toupie est de 1/4 po (0,63 cm) tout autour de la face arrière du panneau. Des réductions de largeur de panneau supplémentaires sont requises selon les illustrations ci-dessous. Cela va créer un toupillage en forme de « cadre de tableau » qui permettra de glisser le panneau dans la garniture de porte.

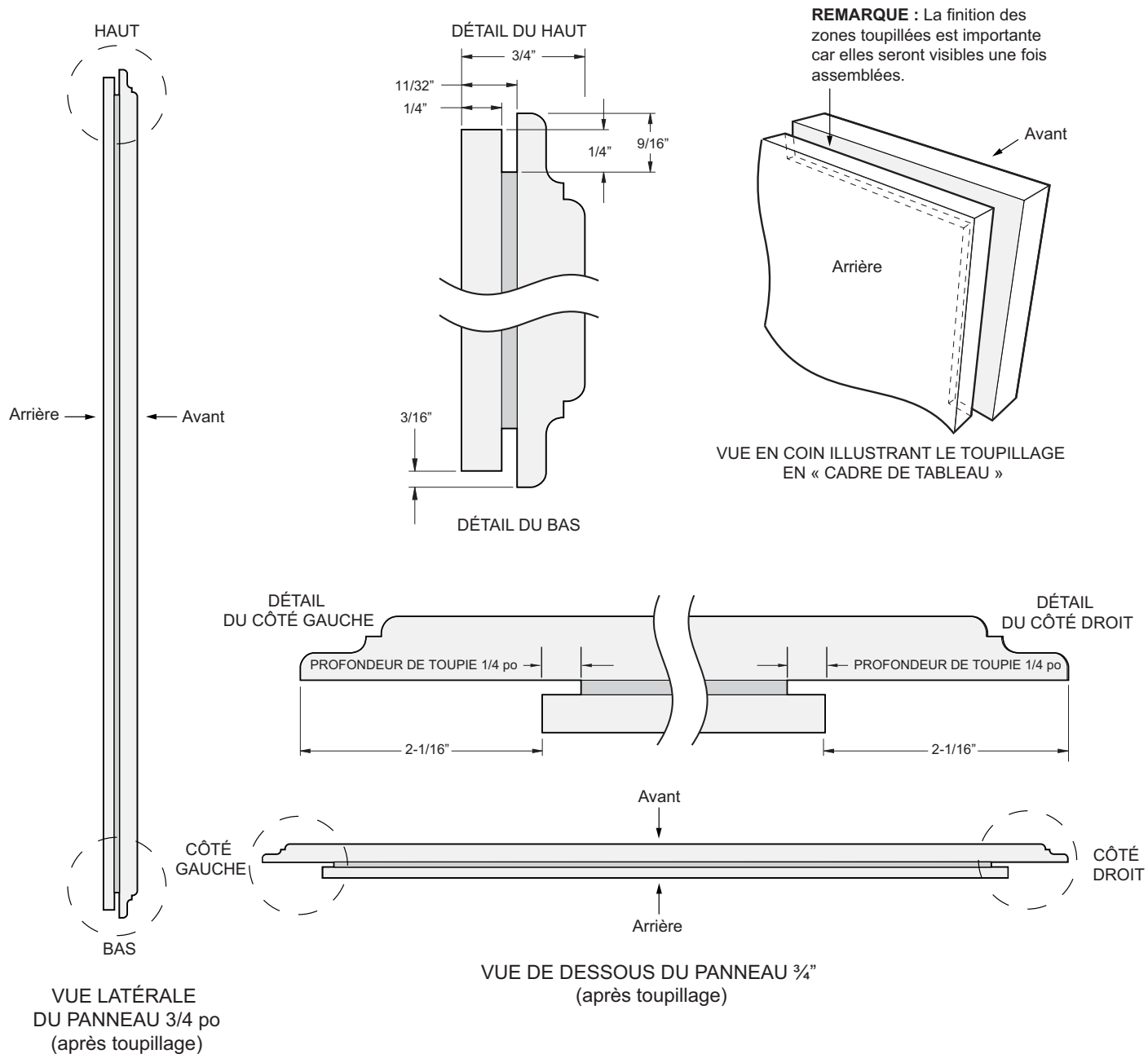


**REMARQUE :** Dans le cas de panneaux construits avec des traverses et des montants (5-panel), la largeur minimale est de 3 po (7,62 cm) pour les traverses et de 4 po (10,16 cm) pour les montants.

# Guide de conception - Installation affleurante pour réfrigérateur à congélateur en bas

## TOUPILLAGE DU PANNEAU DE TIROIR CONGÉLATEUR SURÉLEVÉ 3/4 po (1,9 cm)

Le toupillage est nécessaire pour le panneau de porte surélevé de 3/4 po (1,9 cm). La profondeur de la toupie est de 1/4 po (0,63 cm) tout autour de la face arrière du panneau. Des réductions de largeur de panneau supplémentaires sont requises selon les illustrations ci-dessous. Cela va créer un toupillage en forme de « cadre de tableau » qui permettra de glisser le panneau dans la garniture de porte.



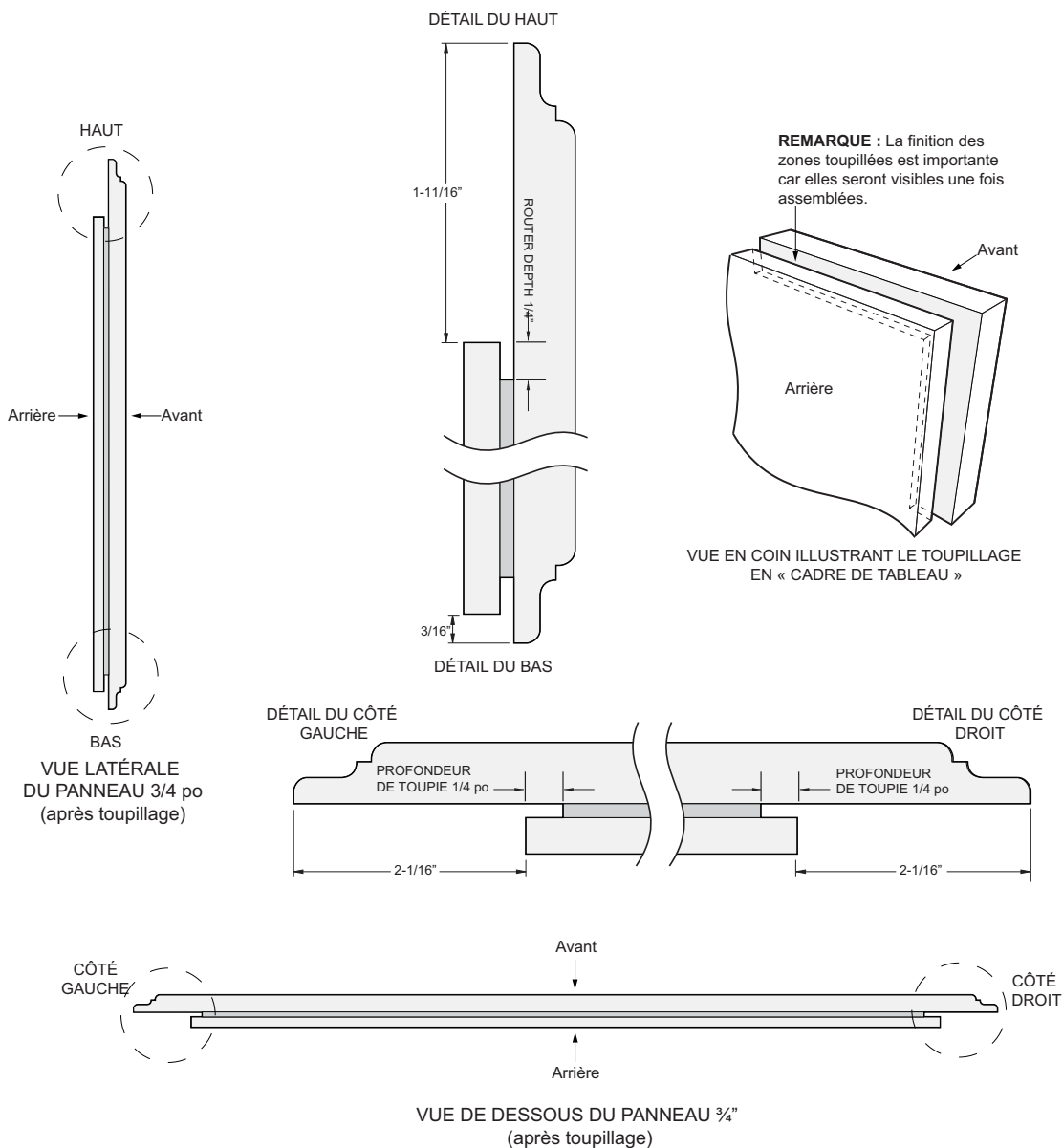
**REMARQUE :** Dans le cas de panneaux construits avec des traverses et des montants (5-panel), la largeur minimale est de 3 po (7,62 cm) pour les traverses et de 4 po (10,16 cm) pour les montants.



# Guide de conception - Installation affleurante pour réfrigérateur à congélateur en bas

## TOUPILLAGE DU PANNEAU DE GRILLE SURÉLEVÉ 3/4 po (1,9 cm)

Le toupillage est nécessaire pour le panneau de grille surélevé de 3/4 po (1,9 cm). Des réductions de largeur de panneau supplémentaires sont requises selon les illustrations ci-dessous. Cela va créer un toupillage en forme de « cadre de tableau » qui permettra de glisser le panneau dans la garniture de grille.



**REMARQUE :** Dans le cas de panneaux construits avec des traverses et des montants (5-panel), la largeur minimale est de 3 po (7,62 cm) pour les traverses et de 4 po (10,16 cm) pour les montants.

# Guide de conception - Installation affleurante pour réfrigérateur à congélateur en bas

## INSTALLATION

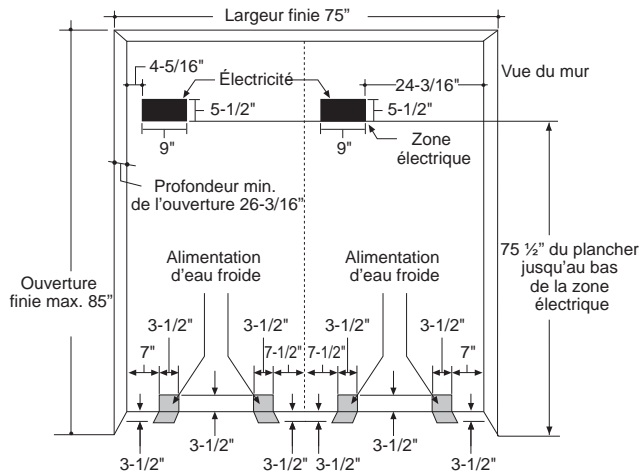
### Trousse d'union ZKBFN720NII et ZKBSN720NSS

• Si vous installez deux appareils côte-à-côte, l'espace d'installation doit mesurer 75 po (190,5 cm) de large.

**REMARQUE :** Une largeur d'ouverture supplémentaire peut être nécessaire lorsque des panneaux latéraux sont utilisés. Ajoutez l'épaisseur des panneaux latéraux à l'ouverture finie pour calculer la largeur brute.

- Les alimentations d'eau et électrique pour chaque produit doivent être situées comme illustré.
- Une alimentation électrique de 115 V, 60 Hz., 15 ou 20 ampères est recommandée pour chaque produit.

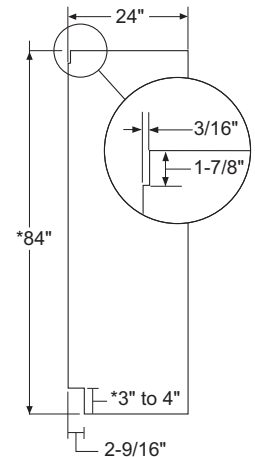
**REMARQUE :** Dans le cas d'une installation double, la garniture de caisson standard installée à l'usine doit être utilisée sur le côté poignée de chaque unité et la garniture de caisson affleurante fournie doit être utilisée du côté charnière de chaque unité.



## PANNEAUX LATÉRAUX

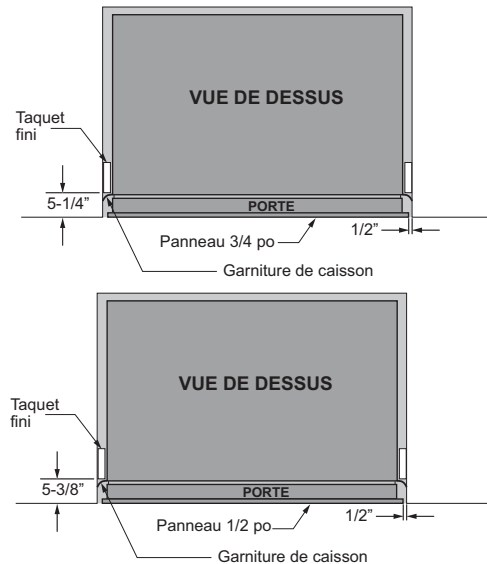
On doit utiliser des panneaux latéraux si les côtés du réfrigérateur sont exposés. Les panneaux latéraux de 1/4 po (0,63 cm) vont glisser dans la garniture latérale de caisson. Attachez les panneaux sur le réfrigérateur à l'aide de ruban autoagrippant (velcro). Commandez les panneaux latéraux auprès du fabricant d'armoires.

- Découpez une encoche dans le coin supérieur avant comme illustré pour le dégagement des clavettes d'angle dans la garniture latérale avant. \* Selon la hauteur de l'installation.



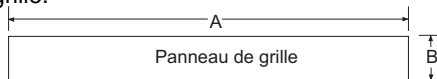
## TAQUETS LATÉRAUX

Il faut installer des taquets de bois verticalement des deux côtés de l'ouverture afin de procurer une butée en profondeur pour le réfrigérateur lorsqu'il est installé dans l'ouverture. Les taquets doivent être installés selon les illustrations ci-dessous en fonction du type de panneau utilisé.



## DIMENSIONS POUR LA TROSSE D'UNION ZKBFN720NII

La trousse d'union ZKBFN720NII est conçue pour l'installation d'un panneau encadré ou d'un panneau de recouvrement avec grille.

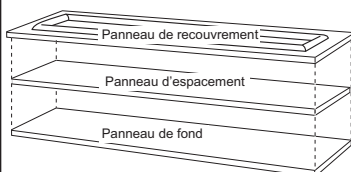


### Dimensions du panneau encadré

	A (Larg.)	B (Haut.)
3/4" (1.91 cm) Panneau tourpillé	74" (187.96 cm)	10-11/16" (27.15 cm)

### Dimensions du panneau de recouvrement

	A (Larg.)	B (Haut.)
Panneau de fond 1/4 po (0,63 cm)	69-7/8" (177.48 cm)	8-7/8" (22.54 cm)
0,10 po (0,25 cm) Panneau d'espacement	68-1/2" (173.99 cm)	7-5/8" (19.37 cm)
1/2" (1.27 cm) Panneau lisse	74" (187.396 cm)	10-11/16" (27.15 cm)



Assemblez les panneaux de recouvrement à la manière des panneaux de porte et de tiroir.

## DIMENSIONS DU COUP-DE-PIED PERSONNALISÉ

Pour faire un coup-de-pied personnalisé, utilisez le coup-de-pied fourni (H) comme gabarit dans la trousse d'union. Le coup-de-pied personnalisé doit être plus long de 1 5/8 po aux deux extrémités à partir du coup-de-pied fourni (H) dans la trousse d'union.

## DIMENSIONS DU PANNEAU DE PORTE DE JONCTION

Les dimensions du panneau de porte pour une installation double sont comme suit :

Porte FF : 46 9/16 po (125,89 cm) x 36 7/8 po (93,66 cm)  
 Tiroir FZ : 22 7/16 po (56,99 cm) x 36 7/8 po (93,66 cm)

# Instructions d'installation - Installation affleurante pour réfrigérateur à congélateur en bas

## OUTILS REQUIS

- Cisaille pour couper le cerclage
- Escabeau
- Seau
- Niveau
- Diable pour électroménagers
- Coupe-tuyau
- Clé ouverte 7/16 po
- Tournevis à tête cruciforme no 2
- Perceuse et forets appropriés
- Douille 5/16, 7/16 po
- Lunettes de protection
- Clé ouverte 1 1/4 po
- Pince
- Cliquet 1/4 po

## QUINCAILLERIE FOURNIE AVEC L'APPAREIL

- Bouchon de dérivation de filtre
- Ferrures antibasculement
- Écrou et bague 1/4 po

## MATÉRIEL REQUIS

- Support antibasculement 2x4, 35 po long
- Tuyau de cuivre 1/4 po pour conduite d'eau ou trousse SmartConnect™ pour réfrigérateur
- Robinet de sectionnement
- Panneaux personnalisés, panneaux de tiroir congélateur et de grille
- Vis pour fixer le réfrigérateur aux armoires
- Ruban autoagrippant adhésif pour panneaux latéraux 1/4 po (0,63 cm)
- Trousse ZKFN pour installations affleurantes

## PLANCHER

Une installation correcte exige que le réfrigérateur soit placé sur la surface d'un matériau dur de niveau et de la même hauteur que le reste du plancher. Cette surface doit être suffisamment robuste pour supporter un réfrigérateur pleinement chargé, ou environ 1200 lb. (544,31 kg)

**REMARQUE :** Protégez le fini du plancher. Découpez une grande section de carton et placez-la sous le réfrigérateur à l'endroit où vous travaillez.

## MISE À LA TERRE DU RÉFRIGÉRATEUR

**⚠ AVERTISSEMENT**  **Risque de choc électrique.**

Le non-respect de ces instructions peut entraîner des risques d'incendies, des chocs électriques ou la mort.

Le cordon d'alimentation de cet appareil est équipé d'une fiche à trois broches (pour une mise à la terre) qui s'adapte à la prise de courant standard à 3 broches (pour une mise à la terre) pour minimiser les risques de chocs électriques par cet appareil.

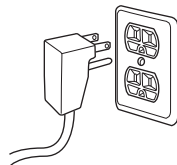
Faites vérifier la prise murale et le circuit électrique par un électricien qualifié pour s'assurer que le système est correctement mis à la terre.

Dans le cas d'une prise biphasée, l'installateur a la responsabilité et l'obligation de la remplacer par une prise triphasée correctement mise à la terre.

**NE COUPEZ PAS OU N'ENLEVEZ PAS, SOUS AUCUN PRÉTEXTE, LA TROISIÈME BROCHE DE MISE À LA TERRE DU CORDON D'ALIMENTATION.**

**N'UTILISEZ PAS D'ADAPTATEUR POUR BRANCHER LE RÉFRIGÉRATEUR À UNE PRISE BIPHASÉE.**

**N'UTILISEZ PAS DE RALLONGE AVEC CET APPAREIL.**



## ÉTAPE 1 RETRAIT DE L'EMBALLAGE

### ⚠ AVERTISSEMENT



**Risque de basculement**

Le réfrigérateur est beaucoup plus lourd en haut qu'en bas. Il faut être prudent lors des déplacements. Si un diable est utilisé, il faut soulever le réfrigérateur sur le côté seulement.

- Couper avec précaution le cerclage dans le haut et le bas, retirez le carton extérieur.
- Retirez les montants d'angle arrière (2) en les glissant.
- En le glissant, retirez le carton du haut de l'appareil.

**REMARQUE :** IL N'EST PAS NÉCESSAIRE DE DÉPOSER L'APPAREIL POUR RETIRER LE PATIN!

- L'appareil est fixé sur le patin à l'aide de 4 brides d'arrimage à fente. Retirez les six boulons 7/16 po des profilés de base dans les brides.

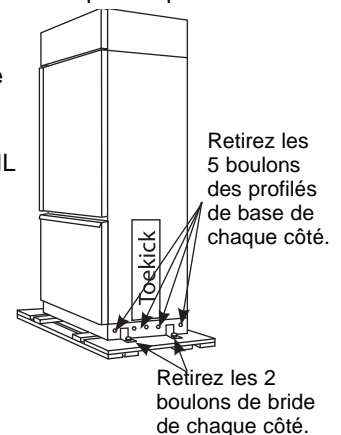
- Retirez les six boulons 7/16 po qui fixent les brides sur le patin.

**REMARQUE :** NE TENTEZ PAS DE ROULER L'APPAREIL HORS DU PATIN.

- Les blocs de support dans le bas du compartiment de réfrigération doivent être retirés avant que le réfrigérateur puisse être dégagé du patin, sinon il y a risque d'endommagement. Penchez avec précaution le réfrigérateur et glissez les blocs vers l'extérieur depuis le dessous.

- Retirez le coup-de-pied et mettez-le de côté pour l'installation finale.

- Soulevez le réfrigérateur du patin à l'aide d'un diable pour électroménager. Manipulez depuis les côtés.

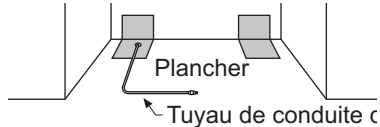


# Instructions d'installation - Installation affleurante pour réfrigérateur à congélateur en bas

## ÉTAPE 2 INSTALLER LA CONDUITE D'EAU

**⚠ AVERTISSEMENT** Raccordez l'appareil à une alimentation d'eau potable seulement.

- Une alimentation d'eau froide est requise pour faire fonctionner la machine à glaçons automatique. La pression d'eau doit se situer entre 40 et 120 psi (275 à 827 kPa).
- Acheminez le tuyau de cuivre 1/4 po (D.E.) ou le tuyau plastique SmartConnect™ entre la conduite d'eau froide du domicile et le raccord d'eau.
- Le tuyau doit être suffisamment long pour atteindre le devant de l'appareil. Prévoyez une longueur de tuyau suffisante pour la courbe menant au raccord de la conduite d'eau.



**REMARQUE :** Les seuls tuyaux en plastique approuvés par Monogram sont ceux inclus dans les trousse de tuyaux pour réfrigérateur SmartConnect™. N'utilisez pas d'autres tuyaux d'alimentation d'eau en plastique car ils seront sous pression constamment. D'autres types de plastique peuvent se fissurer ou se rompre avec le temps et occasionner des dégâts d'eau dans votre domicile.

Les trousse de tuyau pour réfrigérateur SmartConnect™ sont offertes dans les longueurs suivantes :

2' (.6 m) - WX08X10002

8' (2.4 m) - WX08X10006

15' (4.6 m) - WX08X1 0015

25' (7.6 m) - WX08X10025

**Fermez l'alimentation d'eau principale.**

Ouvrez le robinet le plus près suffisamment longtemps pour nettoyer la conduite d'eau.

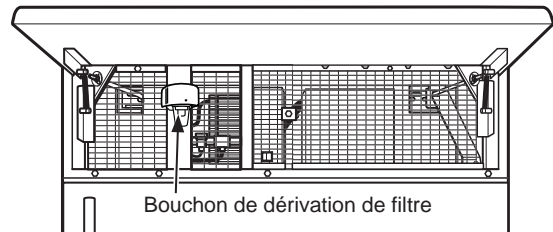
- Installez un robinet de sectionnement entre le robinet d'eau de la machine à glaçons et le tuyau d'eau froide dans le sous-sol ou une armoire. Le robinet de sectionnement doit être situé à un endroit aisément accessible.
- Ouvrez l'alimentation d'eau principale et rincez les débris. Faites couler environ un litre d'eau à travers le tuyau aboutissant dans un seau. Coupez l'alimentation d'eau au robinet de sectionnement.

**REMARQUE :** Des robinet de sectionnement à étrier sont inclus dans plusieurs trousse d'alimentation d'eau, mais ils ne sont pas recommandés pour cette application.

**REMARQUE :** Les codes de plomberie 248CMR du Commonwealth du Massachusetts doivent être satisfaits. Les robinets à étrier sont illégaux et leur utilisation prohibée dans le Massachusetts. Consultez votre plombier agréé.

## ÉTAPE 2A INSTALLATION D'UNE CONDUITE D'EAU AVEC SYSTÈME D'OSMOSE INVERSE

Sautez cette étape si vous n'utilisez pas de système OI. Si la conduite d'eau au réfrigérateur provient d'un système d'osmose inverse, utilisez le bouchon de dérivation de filtre du réfrigérateur. L'utilisation de la cartouche filtrante du réfrigérateur avec le filtre du système OI peut générer des glaçons creux.

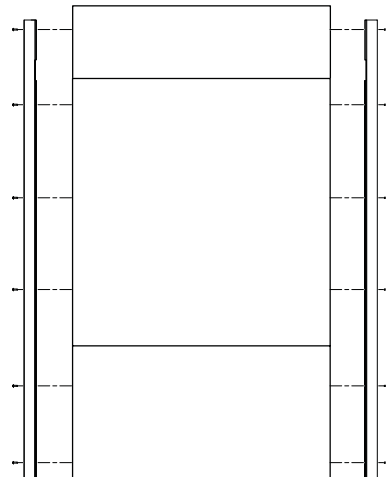


## ÉTAPE 3 INSTALLER LES PANNEAUX LATÉRAUX

Sautez cette étape si vous n'utilisez pas de panneaux latéraux. Si vous utilisez des panneaux latéraux 1/4 po (0,63 cm), il faut les insérer dans la garniture de caisson. Fixez les panneaux sur le réfrigérateur à l'aide de ruban autoagrippant adhésif avant de mettre le réfrigérateur en place.

## ÉTAPE 4 INSTALLER LA GARNITURE DE CAISSON

L'appareil est livré avec une garniture de caisson déjà attachée pour une installation standard. La garniture de caisson pour installation affleurante case trim est fournie avec la trousse ZKFN. Retirez la garniture de caisson installée à l'usine. Installez la nouvelle garniture à l'aide des pièces de garniture droite et gauche et leurs vis. Fixez la garniture sur chaque côté du caisson comme illustré à l'aide des vis de garniture de caisson, dans les trous présents de chaque côté du caisson.



# Instructions d'installation - Installation affleurante pour réfrigérateur à congélateur en bas

## ÉTAPE 5 DISPOSITIF ANTIBASCULEMENT

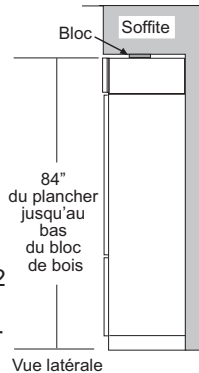
### ⚠ AVERTISSEMENT



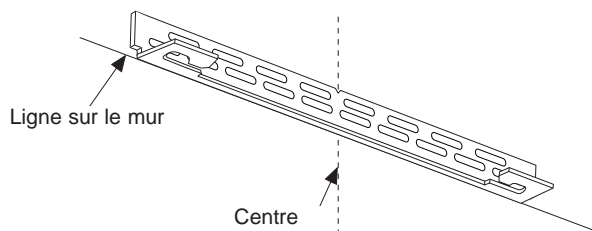
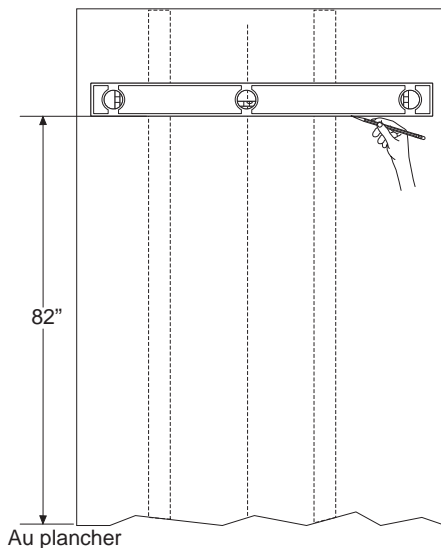
### Risque de

**basculement** Ces réfrigérateurs présentent une partie supérieure lourde, en particulier avec une porte ouverte; ils doivent donc être fixés pour prévenir le basculement vers l'avant et le risque concomitant de blessure grave ou fatale. Lisez et suivez les instructions d'installation complètes pour l'installation du système anti-basculement.

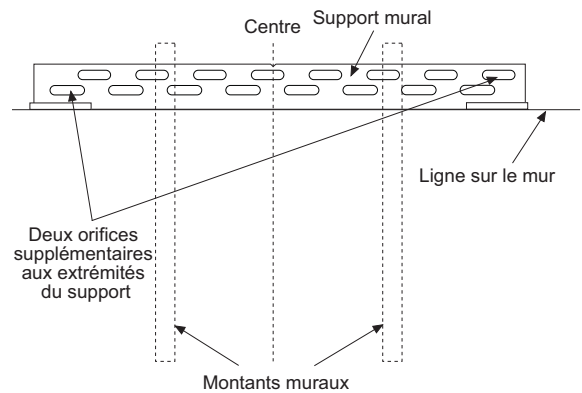
- Coupez un bloc de 1 x 4 po, sur 35 po (88,9 cm) de long.
- Mesurez et marquez en dessous du soffite à 5 ¼ po (13,34 cm) du bord avant de l'armoire.
- Fixez le bloc de bois en dessous du soffite. La distance entre le bas du bloc et le plancher fini doit mesurer 84 po (213,36 cm). Voyez l'illustration.
- La trousse fournie avec l'appareil contient 2 tirefonds et 4 orifices filetés à ailettes avec boulons. Le support mural sera fixé au mur à 4 endroits.



- Mesurez l'ouverture où l'appareil sera installé. Marquez une ligne verticale au centre.
- Mesurez 82" (208,28 cm) depuis le plancher. Marquez ce point sur le mur.
- À l'aide d'un niveau, tracez une ligne horizontale sur le mur à cette hauteur.
- Repérez au moins 2 montants sur le mur arrière. Marquez ces points sur la ligne horizontale.
- Placez le bas du support mural avec ses languettes sur la ligne horizontale. Alignez l'encoche centrale du support sur la ligne de centre sur le mur.



- Le support mural antibasculement est doté d'une série de trous. Identifiez 2 trous vis-à-vis les montants repérés. Assurez-vous que les trous identifiés se situent au centre des montants. Marquez ces points sur le mur.
- Marquez un trou supplémentaire à chaque extrémité du support. Si l'un des montants se trouve plus près de l'extrémité du support, marquez un trou supplémentaire vers le centre.

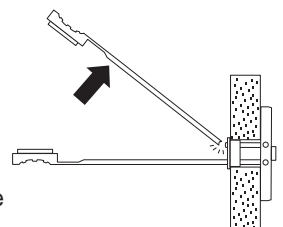
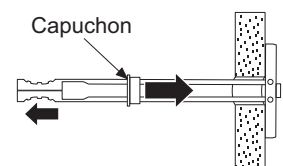
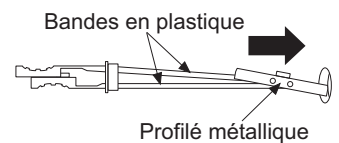


- Percez des trous de 1/2 po (1,27 cm) dans le panneau mural aux marques des points de montage des orifices à ailettes (et non aux marques des montants muraux).
- Percez des trous 3/16 po (0,47 cm) dans les montants en bois aux marques. Si les montants sont en métal, percez des trous de 1/2 po dans les montants aux marques. Vous utiliserez 2 orifices à ailettes pour boulons avec les montants métalliques.

### Posez les orifices à ailettes :

Pour se procurer les orifices à ailettes avec leurs boulons, on peut commander la trousse de réparation no WR49X10193. Les orifices à ailettes sont posés dans la cloison sèche et les montants métalliques à des fins de stabilité. Posez les orifices à ailettes comme suit :

- Percez des trous de 1/2 po (1,27 cm) aux marques faites dans les trous aux extrémités du support mural.
- Tenez le profilé métallique à plat contre les bandes en plastique et glissez le profilé dans le trou.
- Tirez délicatement les extrémités des bandes en plastique pour appuyer le profilé à plat derrière le mur.
- Tenez les extrémités des bandes avec une main et glissez le capuchon en plastique le long des bandes jusqu'à ce que le rebord du capuchon soit à égalité avec le mur.
- Placez votre pouce entre les bandes en plastique et pliez vers le haut et le bas pour sectionner les bandes hors du mur.



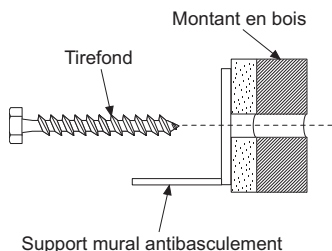


# Instructions d'installation - Installation affleurante pour réfrigérateur à congélateur en bas

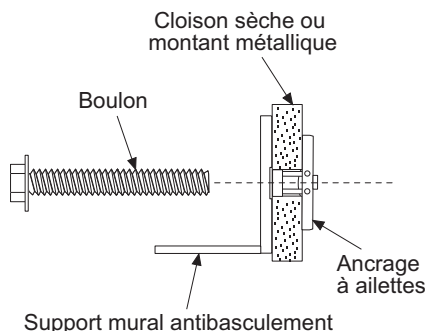
## ÉTAPE 5 DISPOSITIF ANTIBASCULEMENT (suite)

### Poser les vis et les boulons :

- Demandez à une personne de tenir le support mural centré et bien en place, chaque trou aligné sur la fente appropriée du support, de niveau avec la ligne horizontale.
- Insérez les tirefonds à travers le support et le montant. Serrez avec une clé.



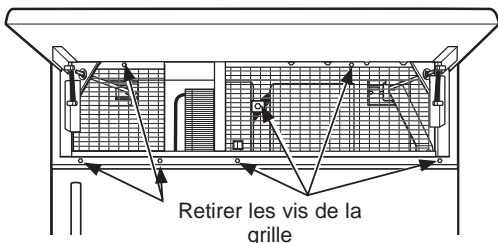
- Vissez fermement à la main les boulons dans les ancrages à ailettes. Serrez avec une clé.



### Retirer les grilles pour l'accès aux crochets antibasculement

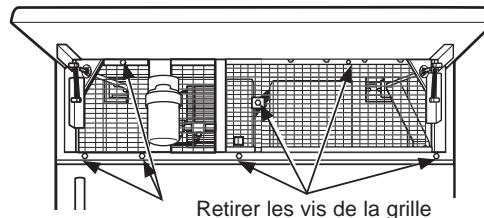
#### Unité réfrigérateur

- Ouvrez la porte d'accès.
- Retirez les 4 vis de la grille à droite et 3 vis à gauche.
- Tirez le bas de chaque grille vers l'avant, le bas et l'extérieur pour la retirer.



#### Unité congélateur

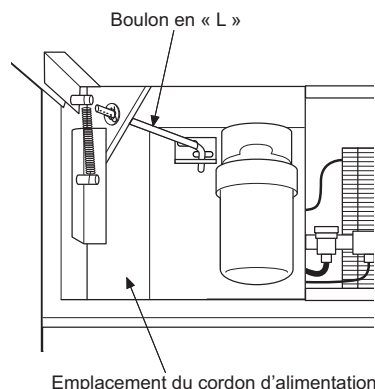
- Ouvrez la porte d'accès.
- Retirez les 4 vis de la grille à droite et 3 vis à gauche.
- Tirez le bas de chaque grille vers l'avant, le bas et l'extérieur pour la retirer.



#### Cordon électrique

Repérez le cordon électrique à l'intérieur de la cavité gauche. S'il n'a pas été ajusté de façon que la fiche soit aisément accessible, faites-le maintenant.

#### Déplacer l'unité à sa position finale

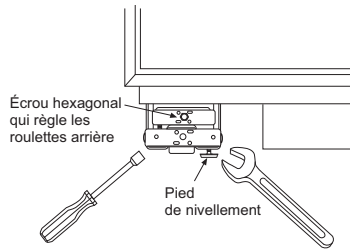


- Déplacez l'appareil vers sa position d'installation finale. Alignez les languettes du support mural sur les orifices à l'arrière de l'appareil.
- L'appareil est doté de boulons en « L » dans les coins supérieurs droit et gauche à l'intérieur du compartiment d'accès. Ces boulons vont s'enclencher sur le support mural et fixer l'appareil à l'aide de rondelles et de goupilles bêta (fournies dans la trousse de quincaillerie) une fois l'appareil mis de niveau dans sa position finale.

# Instructions d'installation - Installation affleurante pour réfrigérateur à congélateur en bas

## ÉTAPE 6 METTRE LE RÉFRIGÉRATEUR DE NIVEAU

Tous les modèles sont dotés de 4 points de nivellement. Le devant est supporté par des pieds de nivellement; l'arrière par des roulettes réglables. Les deux types sont accessibles depuis le devant du réfrigérateur.



- Pour niveler l'arrière du réfrigérateur, tournez l'écrou hexagonal 7/16 po situé au dessus des roulettes avant. Tournez dans le sens des aiguilles pour lever l'appareil, dans le sens inverse pour le baisser.

- Pour niveler le devant, utilisez une clé ouverte 1 1/4 po (3,175 cm).

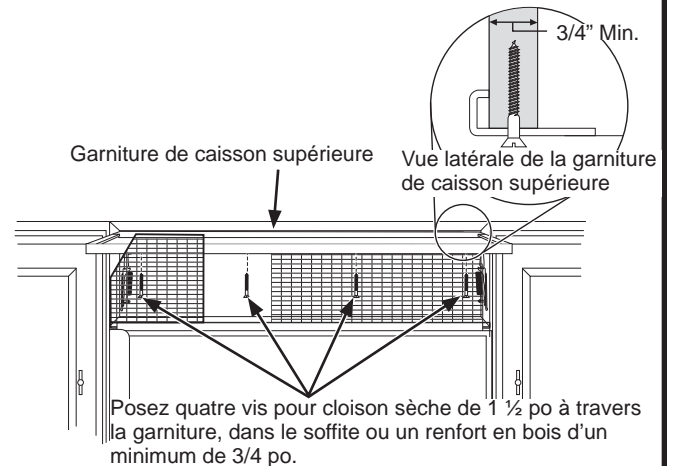
- Ajustez la hauteur du réfrigérateur pour l'adapter à l'ouverture de 83 1/2 po (212,09 cm) à 84 1/2 po (214,63 cm). Le réfrigérateur doit être de niveau et aplombé aux armoires.

Les roulettes de nivellement arrière et les pieds de nivellement avant sont limités à une hauteur de réglage maximale de 1 po. Si l'installation exige une hauteur supérieure à 84 1/2 po, l'installateur doit surélever l'appareil sur une feuille de contreplaqué ou des rails. On peut aussi ajouter une garniture d'armoire dans le haut de l'ouverture pour raccourcir celle-ci. Une tentative de lever le réfrigérateur de plus de 1 po (2,54 cm) endommagera les pieds de nivellement avant et les roulettes de nivellement arrière.

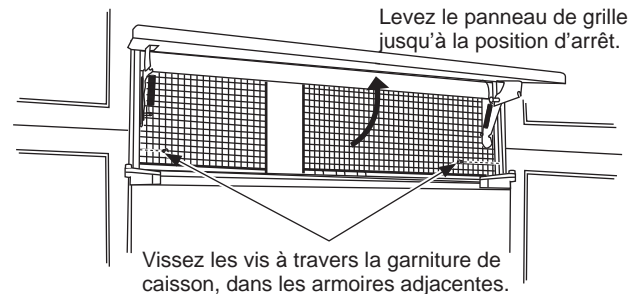
## ÉTAPE 7 AUTRES DISPOSITIFS ANTIBASCULEMENT

Le réfrigérateur doit être fixé afin de prévenir le basculement. S'il est impossible d'utiliser le support antibasculement, on peut recourir à cette autre méthode pour empêcher le réfrigérateur de basculer.

- Soulevez le panneau de grille pour accéder à la garniture de caisson.



- Utilisez un foret 3/16 po pour percer quatre trous de dégagement uniformément espacés à travers la garniture de caisson supérieure.



- Utilisez un foret 1/16 po pour percer des trous de guidage à travers les trous de dégagement métalliques, dans le soffite en bois. Les trous doivent être centrés dans le soffite ou un renfort en bois d'un minimum de 3/4 po. Le renfort sur la largeur de l'ouverture doit être fixé solidement dans les armoires des deux côtés.
- Posez quatre vis pour cloison sèche de 1 1/2 po (3,81 cm) dans les trous de guidage.
- En l'absence de soffite au dessus de l'appareil, vissez des vis dans les armoires adjacentes, à travers la garniture de caisson latérale.

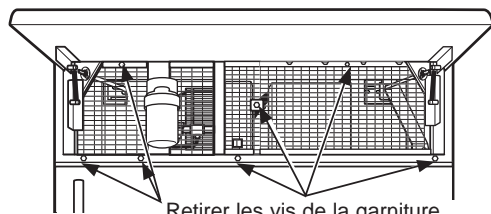


# Instructions d'installation - Installation affleurante pour réfrigérateur à congélateur en bas

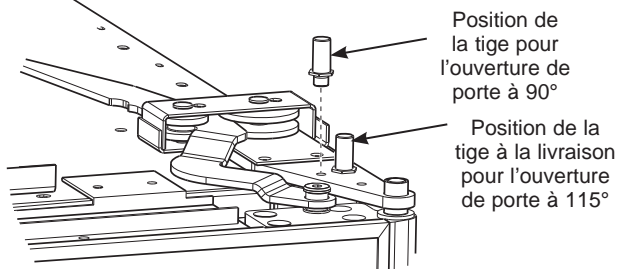
## ÉTAPE 8 AJUSTER L'OUVERTURE DE PORTE

**REMARQUE :** Ce réfrigérateur est doté d'une butée de porte à 3 positions. Lorsque l'espace est insuffisant pour une ouverture de porte complète à 115°, on peut ramener l'ouverture à 90°. Une ouverture à 130° est offerte pour l'installation standard seulement. Si elle est utilisée pour une installation affleurante, les panneaux en bois seront endommagés. **Sautez cette étape si l'ouverture de porte est satisfaisante pour votre installation.**

- Soulevez le panneau de grille pour accéder à la garniture du couvercle grillagé.



- Retirez les vis des deux côtés de la garniture du couvercle grillagé et faites pivoter pour dégager.



- Utilisez une pince pour dévisser la butée de porte puis réinstallez à la position 90° ou 130° (pour l'installation standard).
- Réinstallez la garniture de couvercle grillagé.

### ⚠ AVERTISSEMENT

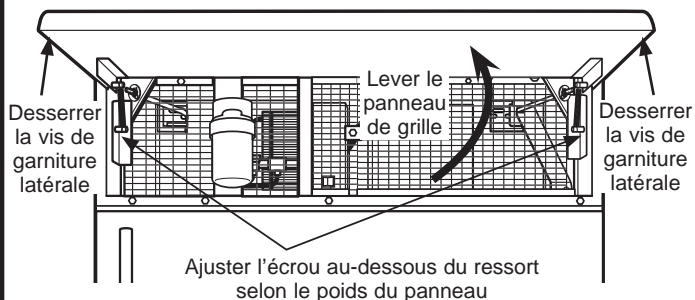


#### Risque de pincement de doigts

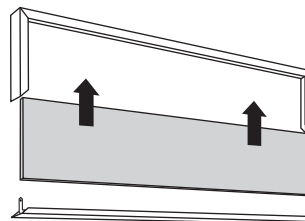
Une installation incorrecte peut poser un risque de coincement de doigts entre la garniture de porte latérale et les armoires en actionnant la porte, en particulier pour les enfants. Pour réduire ce risque, vous devez suivre les instructions d'installation relatives aux dimensions d'armoire, au montage des garnitures et à l'angle de l'arrêt de porte.

## ÉTAPE 9 INSTALLER LE PANNEAU DE GRILLE

- Levez le panneau d'accès jusqu'à la position d'arrêt.
- Desserrez les vis sur la garniture latérale derrière le cadre. Retirez la garniture inférieure.



- Glissez le panneau par-dessus le panneau de fond métallique et dans la garniture.

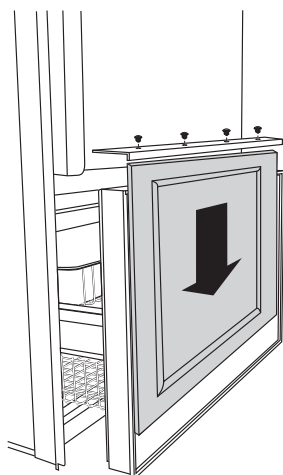
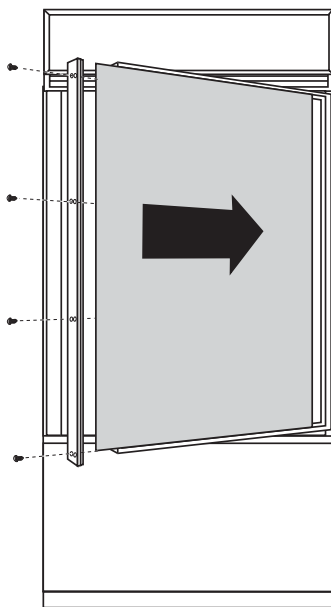


- Si nécessaire, tapotez avec un bloc de bois jusqu'à ce que le panneau glisse sous la garniture supérieure.
- Réassemblez la garniture inférieure. Serrez les vis.
- Réglez le ressort de charnière selon le poids du panneau, si nécessaire.

# Instructions d'installation - Installation affleurante pour réfrigérateur à congélateur en bas

## ÉTAPE 10 INSTALLER LES PANNEAUX DE PORTE ET LES POIGNÉES PERSONNALISÉES

- Ouvrez la porte à 90°.
- Retirez les 8 vis qui fixent la garniture, soulevez la garniture pour la dégager. Conservez les vis.

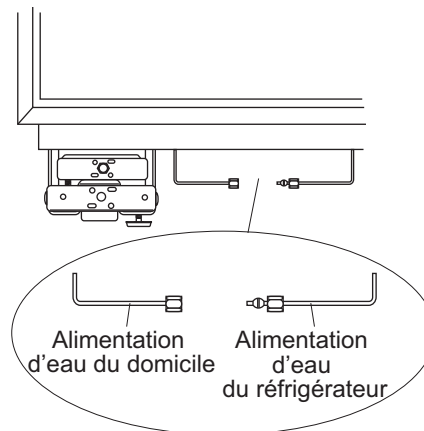


- Une installation affleurante exige d'utiliser des poignées personnalisées. La poignée doit être fixée correctement sur le panneau de recouvrement avant de glisser le panneau dans la garniture.
- Le fabricant d'armoire fournira la poignée personnalisée et sa visserie.
- Glissez le panneau de recouvrement dans la garniture de porte.
- Réinstallez la garniture à l'aide des 8 vis conservées des étapes précédentes.
- Suivez la même procédure pour installer le panneau de tiroir.

## ÉTAPE 11 RACCORDEMENT DE L'ALIMENTATION D'EAU

**⚠ AVERTISSEMENT** Raccordez l'appareil à une alimentation d'eau potable seulement.

- Repérez et acheminez le tuyau à l'avant de l'armoire.
- Ouvrez l'alimentation d'eau pour rincer les débris de la conduite. Faites couler environ un litre d'eau à travers le tuyau aboutissant dans un seau, puis fermez l'alimentation d'eau.



### Tuyau de cuivre :

- Enfilez un écrou 1/4 po et une bague d'extrémité (fournis) aux deux bouts du tuyau de cuivre. Insérez le tuyau dans le raccord union sur l'appareil et serrez l'écrou sur le raccord union.
- Ouvrez l'alimentation d'eau pour vérifier l'absence de fuites.

### Tuyau SmartConnect™ :

**REMARQUE :** Les seuls tuyaux en plastique approuvés par Monogram sont ceux inclus dans les trousse de tuyaux pour réfrigérateur SmartConnect™. N'utilisez pas d'autres tuyaux d'alimentation d'eau en plastique car ils seront sous pression constamment. D'autres types de plastique peuvent se fissurer ou se rompre avec le temps et occasionner des dégâts d'eau dans votre domicile.

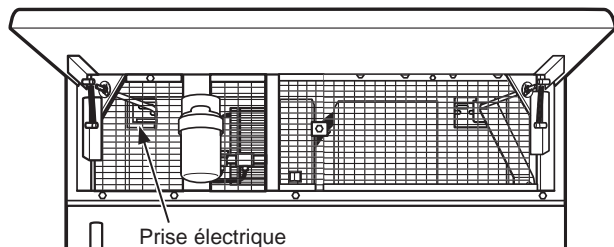
- Insérez l'extrémité moulée du tube dans le raccord du réfrigérateur. Serrez l'écrou à compression à la main.
- Serrez ensuite d'un tour supplémentaire avec une clé. Un serrage excessif peut causer des fuites!
- Ouvrez l'alimentation d'eau pour vérifier l'absence de fuites.

**REMARQUE :** Assurez-vous que la longueur de tuyau excédentaire ne gêne pas la fermeture du tiroir ou l'installation du coup-de-pied.

# Installation Instructions - Installation affleurante pour réfrigérateur à congélateur en bas

## ÉTAPE 12 BRANCHER L'ALIMENTATION ÉLECTRIQUE

- Assurez-vous que le cordon électrique est branché dans la prise.

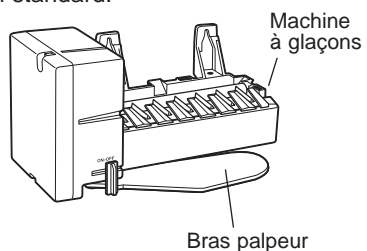


- Assurez-vous que l'électricité alimente le réfrigérateur en ouvrant la porte pour voir si les lampes sont allumées.
- Les commandes de température sont pré-réglées à 37 °F (2,78 °C) pour le compartiment réfrigérateur et 0 °F (-17,78 °C) pour le congélateur.
- Allouez 24 heures pour stabiliser la température avant de faire des réglages.

## ÉTAPE 13 DÉMARRER LA MACHINE À GLAÇONS

**ATTENTION** Évitez tout contact avec les pièces mobiles du mécanisme d'éjection, ou l'élément chauffant (situé dans le bas de la machine à glaçons) qui libère les glaçons. Ne placez pas les doigts ou les mains sur le mécanisme de production de glace automatique lorsque le congélateur est branché dans la prise électrique.

- La machine à glaçons commencera à fonctionner automatiquement.
- Assurez-vous que rien ne gêne le mouvement du bras palpeur.
- Jetez le premier seau plein de glaçons.
- Pour éteindre la machine à glaçons, voir la section Installation standard.

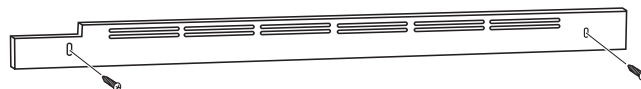


## ÉTAPE 14 INSTALLER LE COUP-DE-PIED

- On peut installer un coup-de-pied personnalisé pour s'agencer aux armoires environnantes.

**IMPORTANT** : Cette plinthe personnalisée NE DOIT PAS recouvrir les fentes d'aération horizontales de la plinthe fabriquée pour le réfrigérateur d'origine et doit dépasser une longueur de 4,1 cm (1 5/8 po) de chaque côté. La hauteur finale doit être découpée lorsque l'appareil est à niveau.

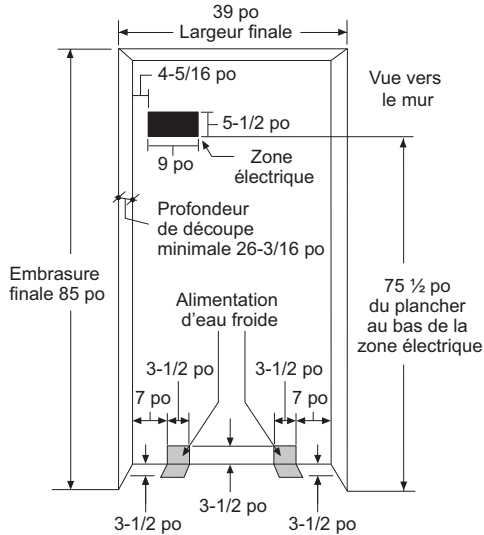
- Fixez l'assemblage de coups-de-pied sur le réfrigérateur à l'aide des vis fournies (2).



# **Instructions pour réfrigérateur et congélateur intégraux**

# Guide technique - Installation affleurante pour réfrigérateur et congélateur intégraux

## L'ESPACE D'INSTALLATION



### Localisation des raccordements d'eau et électrique

Les raccordements d'eau et électrique doivent être situés tel qu'illustré.

### Profondeur de découpe en-dessous d'une sous-face :

Lors d'une installation en-dessous d'une sous-face, cette dernière ne doit pas excéder la profondeur d'installation de 26 3/16 po (66,52 cm) indiquée.

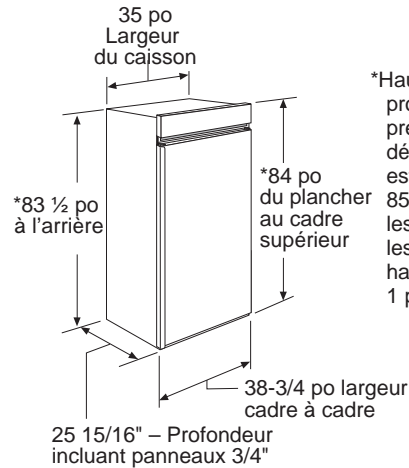
### La profondeur de la découpe doit être de 26 3/16 po (66,52 cm).

Des tasseaux de bois sont nécessaires pour une installation affleurante (flush). Voyez la rubrique Tasseaux de bois à la page 45.

### Spécifications supplémentaires

- Une alimentation électrique de 115 volts, 60 Hz, 15 ou 20 ampères, est requise. Un circuit de dérivation distinct mis à la terre correctement ou un disjoncteur sont recommandés. Installez une prise électrique à 3 alvéoles correctement mise à la terre, encastrée dans le mur arrière. Le raccordement électrique doit être situé sur le mur arrière tel qu'illustré.
- La conduite d'eau peut pénétrer l'embrasure à travers le plancher ou le mur arrière. Cette conduite doit être constituée d'un tuyau de cuivre d'un diamètre extérieur de 1/4 po ou d'une trousse QuickConnect™ entre la conduite d'eau froide et le raccord d'eau, d'une longueur suffisante pour atteindre le devant de l'appareil. L'installation d'un robinet de sectionnement aisément accessible sur la conduite d'eau est requise.

## DIMENSIONS ET DÉGAGEMENTS



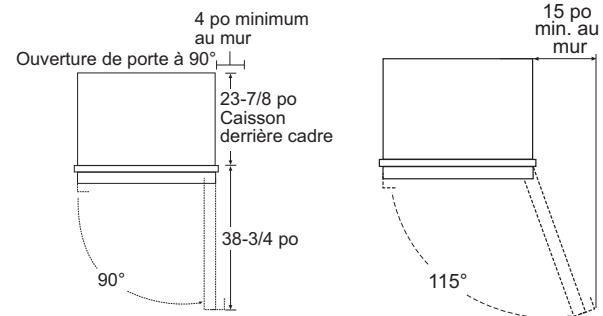
\*Hauteur à la livraison. Le produit peut s'ajuster pour prendre place dans une découpe dont la hauteur est d'un maximum de 85 po (215,9 cm). Utilisez les pieds de nivellement et les roulettes pour régler la hauteur d'un maximum de 1 po (2,54 cm).

### Dégagements du produit

Ces appareils sont dotés d'une butée de porte à 3 positions. L'angle d'ouverture de porte réglé à 115° à l'usine peut se ramener à 90° si le dégagement aux armoires ou aux murs adjacents est restreint. Commandez une butée de porte WX14X99 pour un réglage précis entre 90° et 130°.

Ouverture de porte à 90°

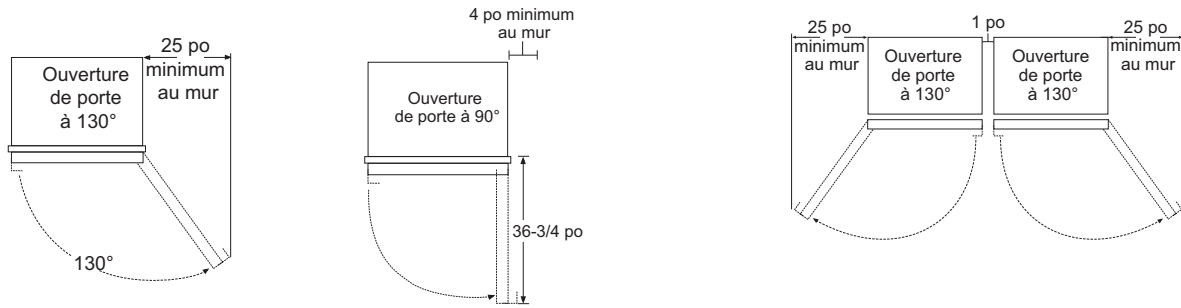
Ouverture de porte à 115°



Pour une ouverture de porte à 90°, allouez un dégagement minimal de 4 po (10,16 cm) à un mur. Si la position de la butée de porte 90° est utilisée, l'accès au plateau est maintenu mais son retrait est restreint.

# Guide technique - Installation affleurante pour réfrigérateur et congélateur intégraux

## DÉGAGEMENTS



Ces appareils sont dotés d'une butée de porte à 3 positions. L'angle d'ouverture de porte réglé à 115° à l'usine peut se ramener à 90° si le dégagement aux armoires ou aux murs adjacents est restreint.

### Installation dans un coin :

Allouez 15 po (38,1 cm) pour une ouverture pleine à 115° et le retrait du plateau. Allouez un dégagement minimal de 4 po (10,16 cm) si l'ouverture de la porte est réglée à 90° pour l'accès au plateau; le retrait de ce dernier sera toutefois restreint.

### Dégagements pour installations avec portes simples côte à côte

Pour l'installation côte à côte de produits l'un s'ouvrant à gauche, l'autre à droite, un dégagement de 1 po (2,54 cm) entre les deux est requis. Commandez une trousse d'union ZKBFN720NII pour une apparence intégrée sur les 2 modèles de panneaux personnalisés installés côte-à-côte.

## INSTALLATION

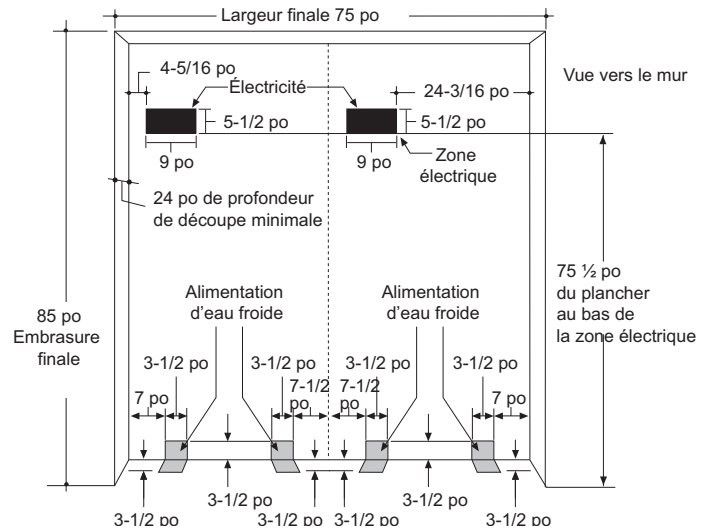
### Trousse d'union ZKBFN720NII

- Si vous installez deux appareils côte à côte, l'espace d'installation doit avoir une largeur de 75 po (190,5 cm).

**REMARQUE :** Une découpe supplémentaire en largeur peut s'avérer nécessaire si des panneaux latéraux sont utilisés. Ajoutez l'épaisseur des panneaux latéraux à la découpe « finale » pour calculer la largeur.

- L'emplacement des raccords d'eau et électrique de chaque produit doit être situé tel qu'illustré.
- Une alimentation électrique distincte de 115 V, 60 Hz, 15 à 20 ampères, est recommandée pour chaque produit.

**REMARQUE :** Dans le cas d'une installation double, la garniture de caisson standard installée à l'usine doit être utilisée sur le côté poignée de chaque appareil et la garniture de caisson affleurante fournie avec la trousse affleurante ZKFN doit être utilisée du côté charnière de chaque unité.

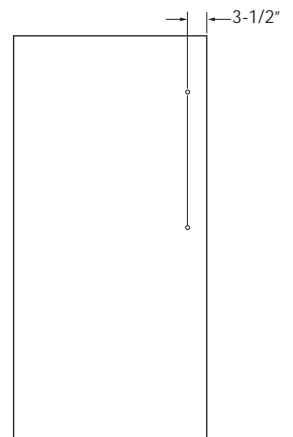
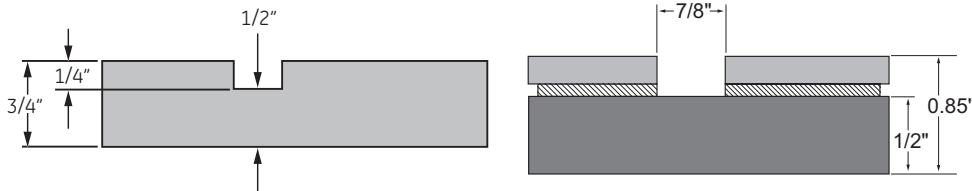


## GUIDE TECHNIQUE DE LA POIGNÉE PERSONNALISÉE

Il est possible d'utiliser des poignées personnalisées pour l'installation affleurante (flush). Pour l'installation de poignée personnalisée, les trous contre-perçés à l'arrière des panneaux décoratifs doivent préserver l'épaisseur du matériau de 1/2 po (1,27 cm) nécessaire pour supporter la poignée.

**REMARQUE :** Le diamètre du trou contre-perçé ne doit pas excéder 1 po (2,54 cm).

La distance minimale du bord latéral de la poignée jusqu'au centre de la poignée doit être de 3 1/2 po (8,89 cm) tel qu'illustré.



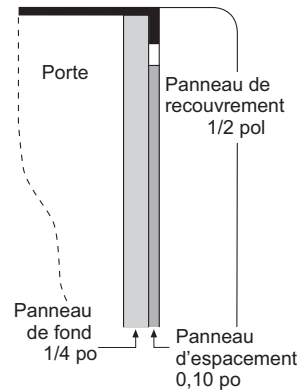
# Guide technique - Installation affleurante pour réfrigérateur et congélateur intégraux

## DIMENSIONS DU PANNEAU ENCADRÉ DE 1/2 po (1,27 cm)

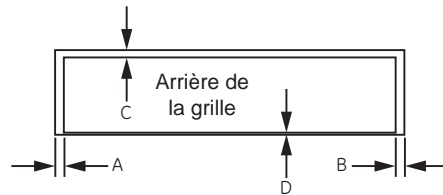
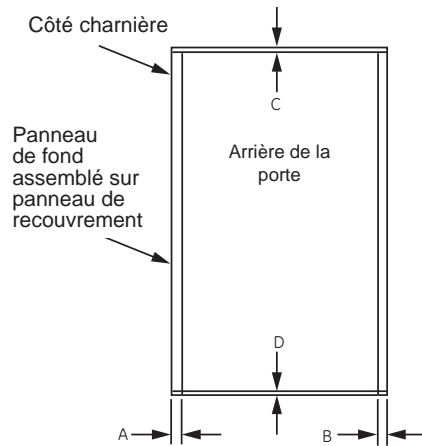
Pour une apparence plus personnalisée, on peut installer des panneaux de recouvrement sur les modèles à garniture. Le panneau de recouvrement peut être fixé sur un panneau de fond de 1/4 po (0,63 cm) qui glisse dans la garniture. Un panneau d'espacement de 0,10 po (0,25 cm) d'épaisseur peut être placé entre les panneaux de recouvrement et de fond.

### Assemblez les panneaux avec de la colle et des vis.

- Centrez le panneau d'espacement sur le panneau de fond, de gauche à droite et de haut en bas. Fixez les panneaux avec de la colle.
- Reportez-vous au tableau suivant pour situer le panneau de fond sur le panneau de recouvrement. Fixez le panneau de recouvrement sur le panneau de fond avec de la colle et des vis. Les trous de vis doivent être fraisés dans le panneau de fond.



$$.250'' + .10'' + .50'' = .850'' \text{ Épaisseur totale du panneau (0.635 cm + 0.254 cm + 1.27 cm = 2.159)}$$



	A	B	C	D
Panneau de porte	2-1/16" (5.24 cm)	2-1/16" (5.24 cm)	3/16" (0.47 cm)	1/4" (0.63 cm)
Panneau de grille	2-1/16" (5.24 cm)	2-1/16" (5.24 cm)	1-7/16" (3.65 cm)	1/8" (0.31 cm)

**REMARQUE IMPORTANTE :** Le poids total maximal des panneaux assemblés :

- Panneau de porte réfrigérateur – 75 lb (34,02 kg)
- Panneau de grille – 18 lb (8,16 kg)

### Dimensions des panneaux

	Porte réfrigérateur	Grille
1/4" (0.63 cm) Panneau de fond	69-5/16" x 33-7/8" (176.05 cm x 86.04 cm)	8-7/8" x 33-7/8" (22.54 cm x 86.04 cm)
.10" (0.25cm) Panneau d'espacement	67-15/16" x 32-1/2" (172.56 cm x 82.55 cm)	7-5/8" x 32-1/2" (16.37 cm x 82.55 cm)
1/2" (1.27 cm) Panneau de recouvrement	69-3/4" x 38" (177.16 cm x 96.52 cm)	10-7/16" x 38" (26.51 cm x 96.52 cm)

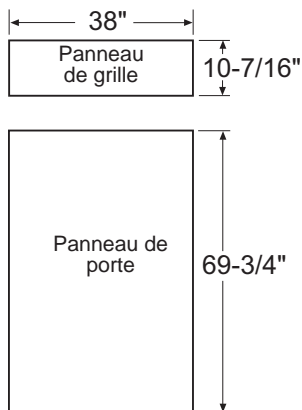


# Guide technique - Installation affleurante pour réfrigérateur et congélateur intégraux

## DIMENSIONS DU PANNEAU DÉCORATIF 3/4 po (1,9 cm)

Pour un aspect plus personnalisé, on peut installer des panneaux de recouvrement qui seront à égalité avec les armoires environnantes. L'épaisseur du panneau de recouvrement doit être de 3/4 po (1,9 cm). Le panneau se fixe aux supports inclus pour montage sur la porte de l'appareil.

**REMARQUE :** Nous recommandons que les coins et les bords des panneaux décoratifs soient arrondis ou biseautés par le fabricant d'armoires pour adoucir les arêtes des panneaux. Les bords à traiter sont ceux du haut, du bas et du côté charnière.



**REMARQUE IMPORTANTE :** Poids total maximal des panneaux assemblés :

- Panneau de porte – 67 lb (30,39kg)
- Panneau de grille – 18 lb (8,16 kg)

### ⚠ AVERTISSEMENT



Risque de pincement

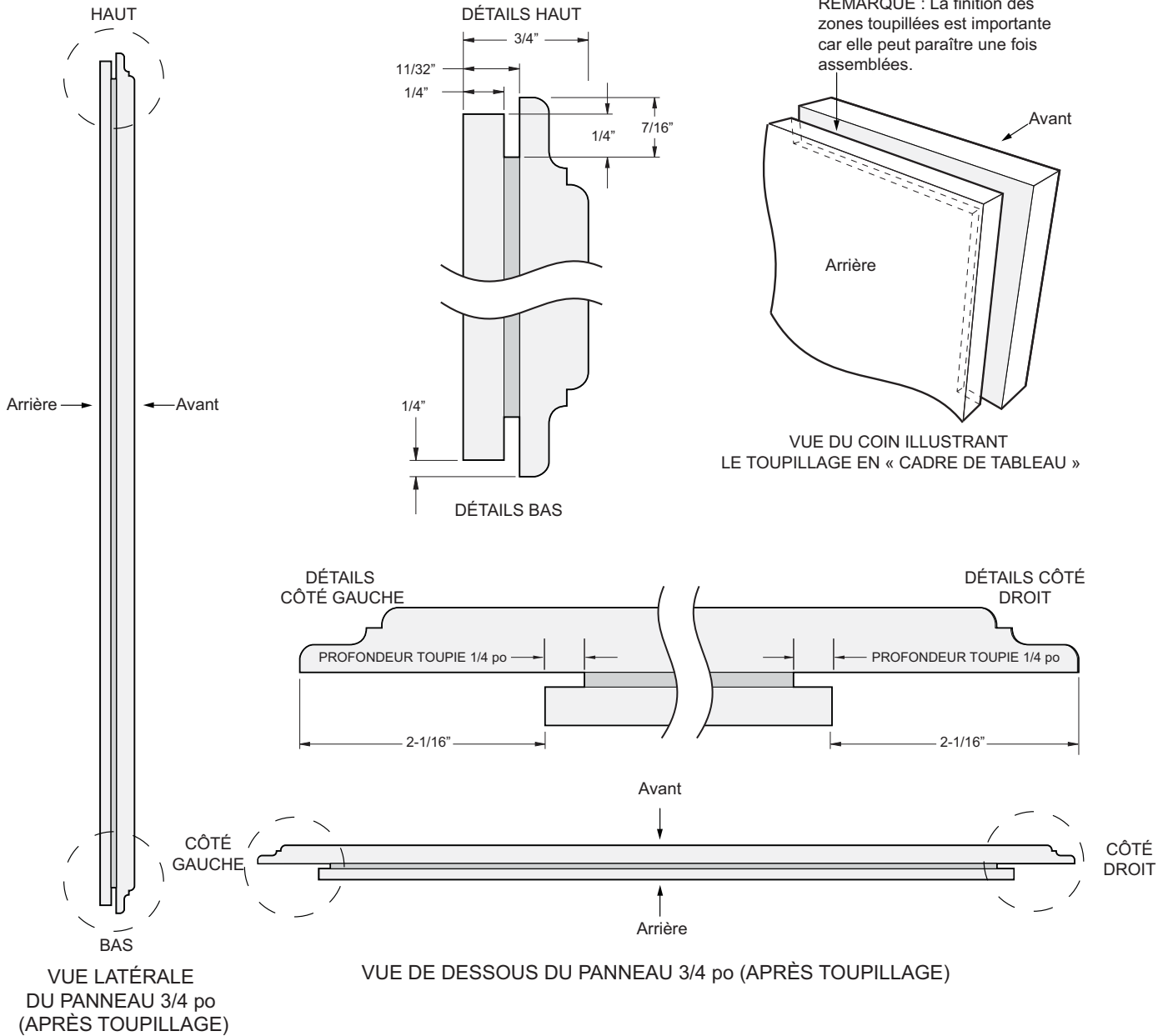
#### de doigts

Une installation incorrecte peut poser un risque de coincement de doigts entre la garniture de porte latérale et les armoires en actionnant la porte, en particulier pour les enfants. Pour réduire ce risque, vous devez suivre les instructions d'installation relatives aux dimensions d'armoire, au montage des garnitures et à l'angle de l'arrêt de porte.

# Guide technique - Installation affleurante pour réfrigérateur et congélateur intégraux

## TOUPILLAGE DE PANNEAU DE PORTE SURÉLEVÉ 3/4 po (1,9 cm)

Il est nécessaire de toupiller le panneau de porte surélevé 3/4 po (1,9 cm). La profondeur de la toupie est de 1/4 po (0,63 cm) sur toute la périphérie de la face arrière du panneau. Des réductions de largeur de panneau supplémentaires sont nécessaires selon les schémas ci-dessous. Cela aura pour effet de créer un toupillage en « cadre de tableau » qui glissera dans la garniture de porte fixée.

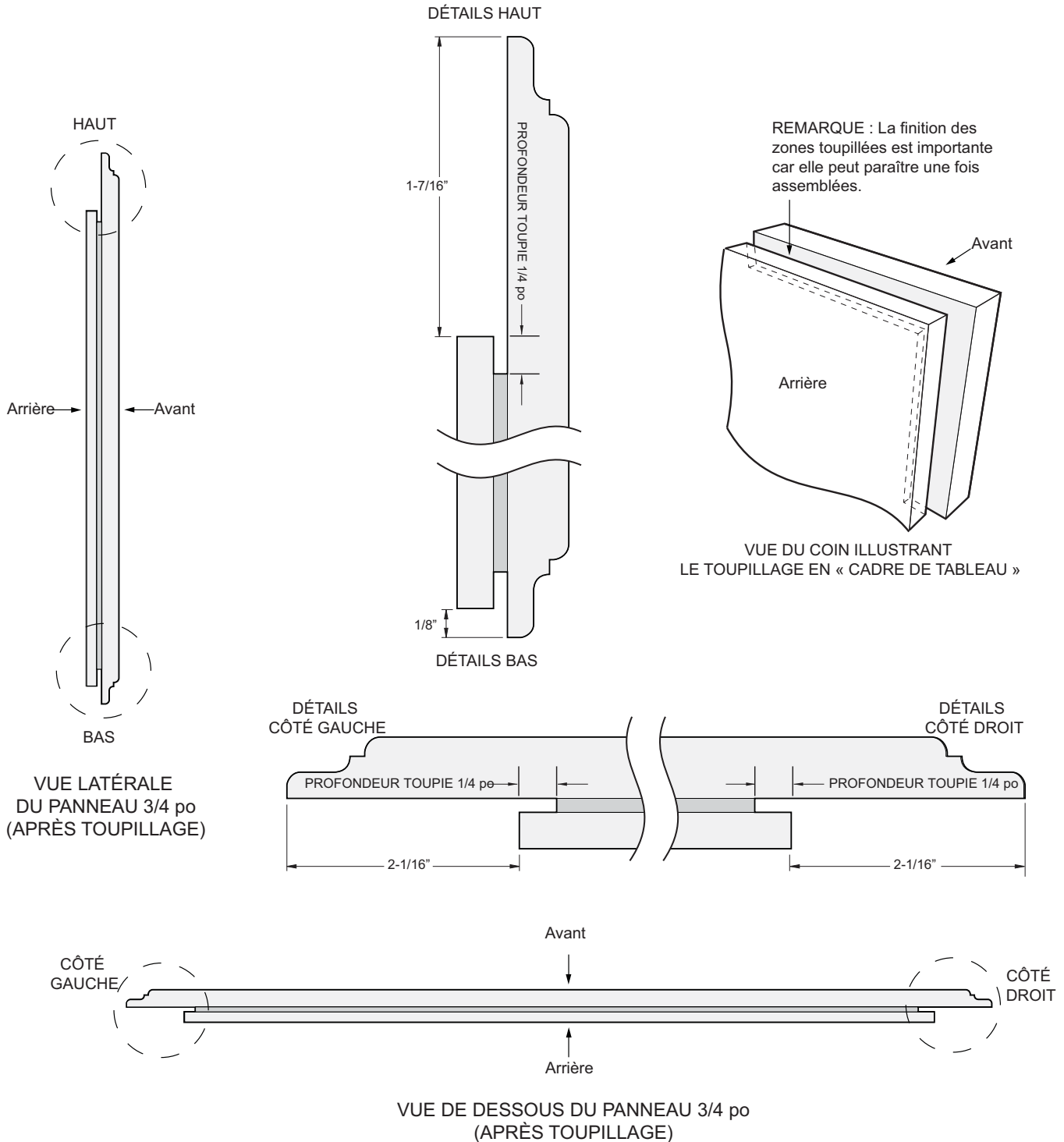


**REMARQUE :** Dans le cas de panneaux construits de traverses et de montants (panneau à 5 éléments), la largeur minimale est de 3 po (7,62 cm) pour les traverses et de 4 po (10,16 cm) pour les montants

# Guide technique - Installation affleurante pour réfrigérateur et congélateur intégraux

## TOUPILLAGE DE PANNEAU DE GRILLE SURÉLEVÉ 3/4 po (1,9 cm)

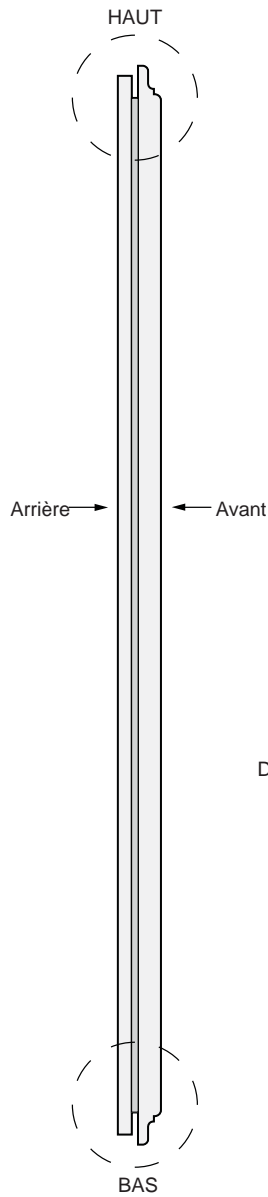
Il est nécessaire de toupiller le panneau de grille surélevé 3/4 po (1,9 cm). La profondeur de la toupie est de 1/4 po (0,63 cm) sur toute la périphérie de la face arrière du panneau. Des réductions de largeur de panneau supplémentaires sont nécessaires selon les schémas ci-dessous. Cela aura pour effet de créer un toupillage en « cadre de tableau » qui glissera dans la garniture de porte fixée.



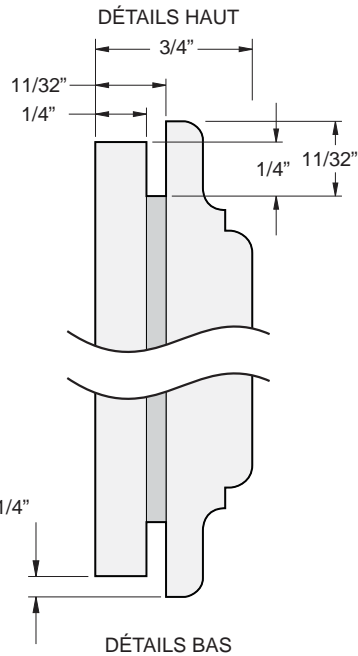
**REMARQUE :** Dans le cas de panneaux construits de traverses et de montants (panneau à 5 éléments), la largeur minimale est de 3 po (7,62 cm) pour les traverses et de 4 po (10,16 cm) pour les montants.

# Guide technique - Installation affleurante pour réfrigérateur et congélateur intégraux

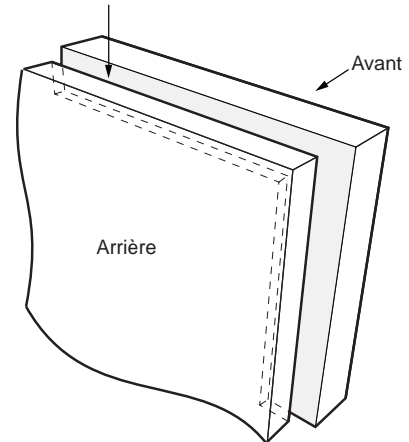
## TOUPILLAGE DE PANNEAU DE PORTE SURÉLEVÉ 3/4 po (1,9 cm) POUR INSTALLATION EN JONCTION



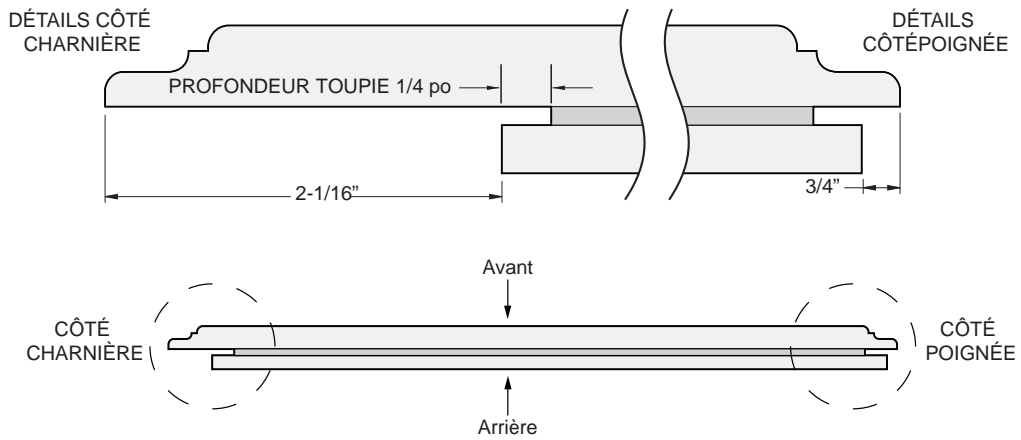
VUE LATÉRALE DU PANNEAU 3/4 po  
(APRÈS TOUPILLAGE)



REMARQUE : La finition des zones toupillées est importante car elle peut paraître une fois assemblées.



VUE DU COIN ILLUSTRANT  
LE TOUPILLAGE EN « CADRE DE TABLEAU »



VUE DE DESSOUS DU PANNEAU 3/4 po  
(APRÈS TOUPILLAGE)

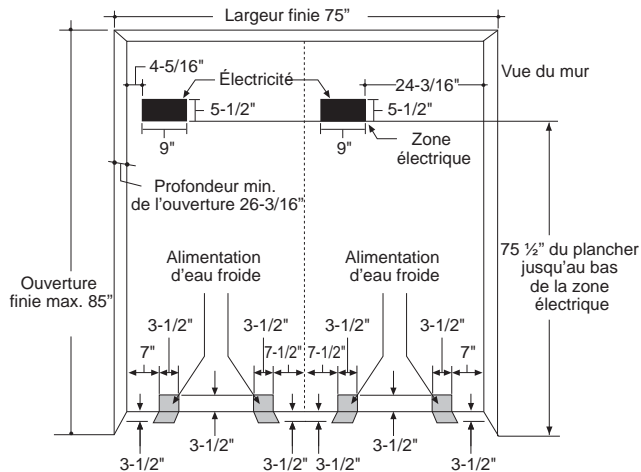
# Guide technique - Installation affleurante pour réfrigérateur et congélateur intégraux

## INSTALLATION

### Trousse d'union ZKBFN720NII et ZKBSN720NSS

- Si vous installez deux appareils côte-à-côte, l'espace d'installation doit mesurer 75 po (190,5 cm) de large.
- REMARQUE :** Une largeur d'ouverture supplémentaire peut être nécessaire lorsque des panneaux latéraux sont utilisés. Ajoutez l'épaisseur des panneaux latéraux à l'ouverture finie pour calculer la largeur brute.
- Les alimentations d'eau et électrique pour chaque produit doivent être situées comme illustré.
- Une alimentation électrique de 115 V, 60 Hz., 15 ou 20 ampères est recommandée pour chaque produit.

**REMARQUE :** Dans le cas d'une installation double, la garniture de caisson standard installée à l'usine doit être utilisée sur le côté poignée de chaque unité et la garniture de caisson affleurante fournie doit être utilisée du côté charnière de chaque unité.

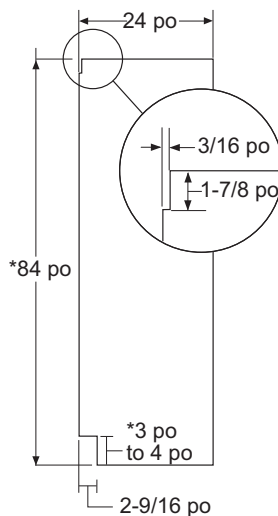


## PANNEAUX LATÉRAUX

Les panneaux latéraux doivent être utilisés lorsque les côtés de l'appareil sont exposés. Les panneaux latéraux de 1/4 po (0,63 cm) vont glisser dans la garniture de caisson latéral. Fixez les panneaux sur l'appareil à l'aide de bandes autoagrippantes adhésives. Commandez les panneaux latéraux auprès du fabricant d'armoires.

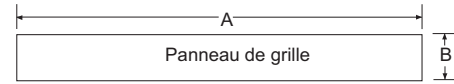
- Découpez une encoche dans le coin supérieur frontal comme illustré pour procurer le dégagement nécessaire aux clavettes d'angle de la garniture latérale frontale.

\*Selon la hauteur de l'installation.



## TROUSSE D'UNION ZKBFN720NII

La troussure d'union ZKBFN720NII est conçue pour l'installation d'un panneau encadré ou de recouvrement avec grille.



**REMARQUE :** Pour les panneaux 3/4 po (1,91 cm), utilisez les mêmes instructions de toupillage que pour l'installation simple de la page 42.

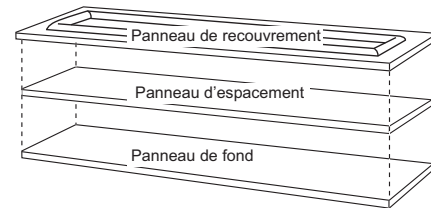
### Dimensions du panneau encadré

	A (Largeur)	B (Hauteur grille)
3/4" (1.91 cm) Panneau encadré	69-7/8" (177,48 cm)	8-7/8" (22,54 cm)

### Dimensions du panneau de recouvrement

	A (Width)	B (Grille Height)
1/4 po (0,63 cm) Panneau de fond	69-7/8" (177,48cm)	8-7/8" (22,54 cm)
0,10 po (0,25 cm) Panneau d'espacement	68-1/2" (97,79 cm)	7-5/8" (20 cm)
1/2" (1.27 cm) Panneau fini	70-1/8" (178,12 cm)	9" (22,86 cm)

**REMARQUE IMPORTANTE :** Le poids maximal du panneau de grille de jonction est de 25 lb (11,24 kg).



Assemblez les panneaux de recouvrement de la même façon que le panneau de porte.

## DIMENSIONS DU COUP-DE-PIED PERSONNALISÉ

Pour faire un coup-de-pied personnalisé, utilisez le coup-de-pied fourni (H) comme gabarit dans la troussure d'union. Le coup-de-pied personnalisé doit être plus long de 1 5/8 po aux deux extrémités à partir du coup-de-pied fourni (H) dans la troussure d'union.

## DIMENSIONS DU PANNEAU DE PORTE EN JONCTION

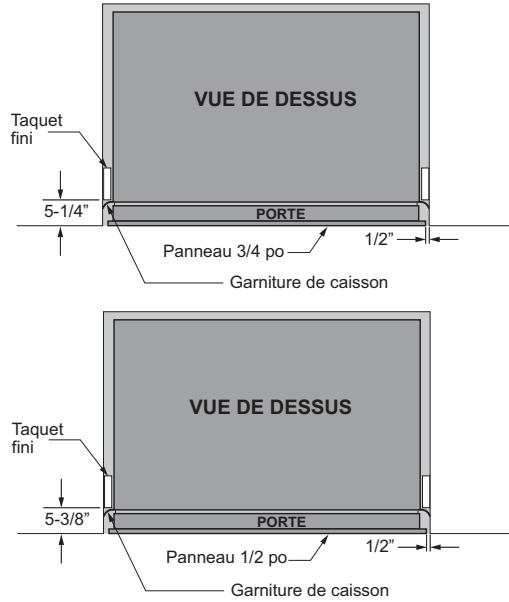
Les dimensions du panneau de porte pour une installation double sera de 69 3/4 po (177,16 cm) x 36 7/8 po (93,66 cm). Pour les panneaux 3/4 po (1,90 cm), suivez la procédure de toupillage selon les instructions de la page 43.

# Guide technique - Installation affleurante pour réfrigérateur et congélateur intégraux

## TASSEaux LATÉRAUX

Les tasseaux en bois doivent être installés verticalement des deux côtés de l'ouverture de carrosserie pour procurer un arrêt en profondeur du réfrigérateur.

Il faut installer les tasseaux selon les schémas ci-dessous et le type de panneau utilisé.



## EMPLACEMENT DU RÉFRIGÉRATEUR

- N'installez pas le réfrigérateur là où la température descendra sous 55 °F (13 °C). Il ne fonctionnera pas à une fréquence suffisante pour maintenir des températures adéquates.
- N'installez pas le réfrigérateur là où la température s'élèvera au-dessus de 100 °F (37 °C). Il ne fonctionnera pas correctement.
- N'installez pas le réfrigérateur à un endroit exposé à l'eau (pluie, etc.) ou aux rayons directs du soleil.
- Installez le réfrigérateur sur un plancher suffisamment solide pour le supporter en pleine charge.

# Instructions d'installation - Installation affleurante pour réfrigérateur et congélateur intégraux

## OUTILS ET MATÉRIAUX NÉCESSAIRES

- Cisaille de ferblantier pour couper le cerclage
- Tournevis cruciforme no 2
- Escabeau
- Perceuse et forets 1/2 et 3/16 po
- Seau
- Douilles 1/4, 1/2, 5/16 et 7/16 po
- Niveau
- Lunettes de protection
- Diable pour électroménagers
- Pince
- Coupe-tube
- Détecteur de montant
- Clés ouvertes 7/16 et 1 ¼ po
- Tuyau de conduite d'eau en cuivre 1/4 po ou trousse de tuyau pour réfrigérateur SmartConnect™
- Robinet de sectionnement d'eau (facultatif mais recommandé)
- Panneaux personnalisés pour porte et panneau de grille
- Vis pour fixer l'appareil aux armoires
- Bandes autoagrippantes adhésives pour panneaux latéraux 1/4 po (0,63 cm)

## QUINCAILLERIE FOURNIE AVEC L'APPAREIL

- Bouchon de dérivation de filtre à eau
- Support antibasculement
- 3 tirefonds
- 2 goupilles bêta (forme d'épingle à cheveux)
- 4 rondelles
- 5 ancrages à ailettes avec boulons

## PLANCHER

Pour une installation correcte, il faut placer ce produit sur la surface de niveau d'un matériau solide de la même hauteur que le reste du plancher. Cette surface doit être suffisamment solide pour supporter un réfrigérateur ou congélateur en pleine charge, soit environ 1200 lb (545 kg) par appareil.

**REMARQUE :** Protégez le fini du plancher. Découpez une grande section de carton et placez-la sous le produit là où vous travaillez.

**REMARQUE :** Non recommandé pour l'installation sur un plancher recouvert de moquette.

## LA TERRE DE L'UNITÉ

**⚠ AVERTISSEMENT**  **Risque de choc**

**électrique.**

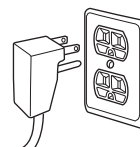
Le non-respect de ces instructions peut entraîner des risques d'incendies, des chocs électriques ou la mort.

Le cordon d'alimentation de cet appareil est équipé d'une fiche à trois broches (pour une mise à la terre) qui s'adapte à la prise de courant standard à 3 broches (pour une mise à la terre) pour minimiser les risques de chocs électriques par cet appareil.

Faites vérifier la prise murale et le circuit électrique par un électricien qualifié pour s'assurer que le système est correctement mis à la terre.

Dans le cas d'une prise biphasée, l'installateur a la responsabilité et l'obligation de la remplacer par une prise triphasée correctement mise à la terre.

**NE COUPEZ PAS OU N'ENLEVEZ PAS, SOUS AUCUN PRÉTEXTE, LA TROISIÈME BROCHE DE MISE À LA TERRE DU CORDON D'ALIMENTATION.**



**N'UTILISEZ PAS D'ADAPTATEUR POUR BRANCHER LE RÉFRIGÉRATEUR À UNE PRISE BIPHASÉE.**

**N'UTILISEZ PAS DE RALLONGE AVEC CET APPAREIL.**



# Instructions d'installation - Installation affleurante pour réfrigérateur et congélateur intégraux

## ÉTAPE 1 RETIRER L'EMBALLAGE

### ⚠ AVERTISSEMENT



Risque de

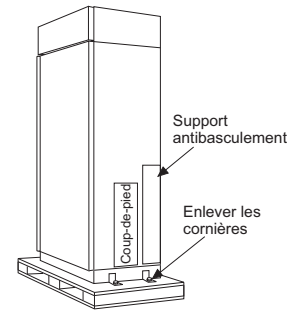
**basculement** Le produit est beaucoup plus lourd en haut qu'en bas. Il faut être prudent lors des déplacements. Si un diable est utilisé, il faut soulever le réfrigérateur sur le côté seulement.

- Avec précaution, coupez le cerclage dans le haut et le bas, retirez la boîte extérieure.
- Retirez les montants d'angle arrière (2) en les glissant.
- Retirez la boîte dans le haut de la carrosserie.

**REMARQUE** : IL N'EST PAS NÉCESSAIRE DE COUCHER L'APPAREIL POUR RETIRER LA PALETTE!

**REMARQUE** : NE TENTEZ PAS DE ROULER L'APPAREIL HORS DE LA PALETTE.

- L'appareil est fixé à la palette au moyen de 4 cornières à fente. Retirez les quatre boulons 5/16 po des rainures de base dans les cornières.
- Retirez le coup-de-pied et mettez-le de côté pour l'installation finale.
- Soulevez l'appareil pour le dégager de la palette à l'aide d'un diable pour électroménagers. Manipulez l'appareil par ses côtés.
- Retirez les quatre boulons 7/16 po qui fixent les cornières dans la palette.



## ÉTAPE 2 INSTALLER LA CONDUITE D'EAU

### ⚠ AVERTISSEMENT

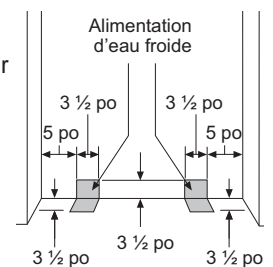
Raccordez l'appareil à une alimentation d'eau potable seulement.

- Une alimentation d'eau froide est requise pour la machine à glaçons automatique. La pression d'eau doit se situer entre 40 et 120 psi (275 à 827 kPa).
- Acheminez le tuyau de cuivre 1/4 po (dia. ext.) ou le tuyau en plastique SmartConnect™ entre la conduite d'eau froide du domicile et le lieu du raccordement d'eau.
- Le tuyau doit être suffisamment long pour atteindre le devant de l'appareil. Allouez une longueur suffisante pour tenir compte de la courbe menant au raccord de la conduite d'eau.

**REMARQUE** : Le seul tuyau en plastique approuvé par Monogram est celui des trousse de tuyau pour réfrigérateur SmartConnect™. N'utilisez pas d'autres tuyaux d'alimentation d'eau en plastique car le tuyau sera sous pression en tous temps. Les autres types de tuyau en plastique peuvent se fissurer et se rompre avec le temps et causer des dégâts d'eau dans votre domicile.

Les trousse de tuyau pour réfrigérateur SmartConnect™ sont offertes dans les longueurs suivantes

2 pi (0,6 m)	WX08X10002
8 pi (2,4 m)	WX08X10006
15 pi (4,6 m)	WX08X10015
25 pi (7,6 m)	WX08X10025



### Fermez l'alimentation d'eau principale.

- Ouvrez le robinet le plus près suffisamment longtemps pour nettoyer la conduite d'eau.
- Installez un robinet de sectionnement entre le robinet d'eau de la machine à glaçons et le tuyau d'eau froide dans le sous-sol ou une armoire. Le robinet de sectionnement doit se situer à un endroit facilement accessible.
  - Ouvrez l'alimentation d'eau principale et rincez les débris. Faites circuler environ un litre d'eau dans un seau par le tuyau. Fermez l'alimentation d'eau au robinet de sectionnement.

**REMARQUE** : Des robinets de sectionnement à étrier sont inclus dans plusieurs trousse d'alimentation d'eau. Avant d'acheter, assurez-vous que ce type de robinet est conforme à votre code de plomberie local.

**REMARQUE** : Les codes de plomberie 248CMR du Commonwealth du Massachusetts doivent être respectés. Les robinets à étrier sont illégaux et leur utilisation prohibée dans le Massachusetts. Consultez votre plombier agréé.

## ÉTAPE 3 INSTALLER LES PANNEAUX LATÉRAUX

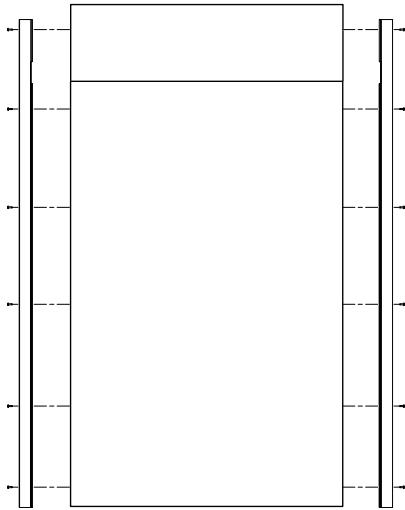
Sautez cette étape si vous n'utilisez pas de panneaux latéraux. Si vous utilisez des panneaux latéraux de 1/4 po, ils doivent être insérés dans la garniture du caisson.

Fixez les panneaux à l'appareil à l'aide de bandes autoagrippantes adhésives avant de mettre l'appareil en place.

# Instructions d'installation - Installation affleurante pour réfrigérateur et congélateur intégraux

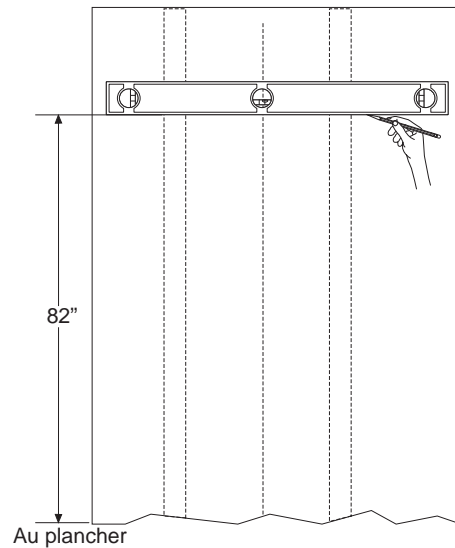
## ÉTAPE 4 INSTALLER UNE GARNITURE DE CAISSON

L'appareil est livré avec une garniture de caisson pour une installation standard. La garniture de caisson pour installation affleurante est fournie avec la trousse ZKFN. Retirez la garniture de caisson pour installation affleurante. Installez la nouvelle garniture de caisson à l'aide des pièces pour garniture de caisson gauche et droite et des vis pour garniture de caisson. Fixez la garniture de caisson sur chaque côté du caisson tel qu'illustré, en insérant les vis de garniture de caisson dans les trous prépercés dans chaque côté du caisson.



## ÉTAPE 5 INSTALLER UN SUPPORT ANTIBASCULEMENT (suite)

- La trousse fournie avec l'appareil contient 2 tirefonds et 4 ancrages à ailettes avec boulons. Le support mural sera fixé au mur à 4 endroits.
- Mesurez l'embrasure où l'appareil sera installé. Marquez le centre par une ligne verticale.
- Mesurez jusqu'à 81 ½ po (207,01 cm) depuis le plancher. Marquez ce point sur le mur.
- À l'aide d'un niveau, tracez une ligne horizontale sur le mur à cette hauteur.



- Repérez au moins 2 montants sur le mur arrière. Marquez ces points sur la ligne horizontale.
- Placez le bas du support mural muni de languettes sur la ligne horizontale. Alignez l'encoche centrale du support sur la ligne de centre sur le mur.

## ÉTAPE 5 INSTALLER UN SUPPORT ANTIBASCULEMENT

### ⚠ AVERTISSEMENT

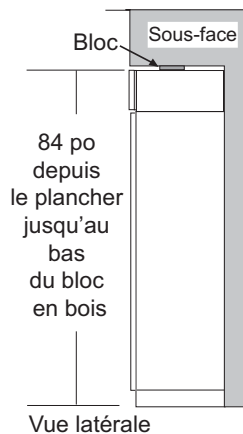


Risque de

### basculement

L'appareil ménager est beaucoup plus lourd en haut et il faut le maintenir en place pour éviter la possibilité de son basculement vers l'avant.

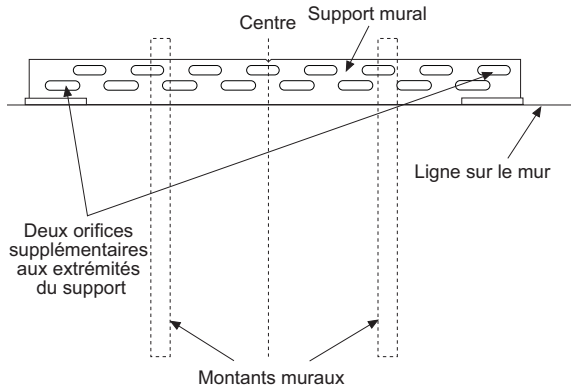
- Coupez un bloc de 1 x 4 po (2,54 x 10,16 cm), d'une longueur de 35 po (88,9 cm).
- Sous la sous-face, mesurez et marquez à 5 ¼ po depuis le bord avant de l'armoire.
- Fixez le bloc en bois sous la sous-face. La distance depuis le bas du bloc jusqu'au plancher fini devrait mesurer 84 po (213,36 cm). Voyez l'illustration.



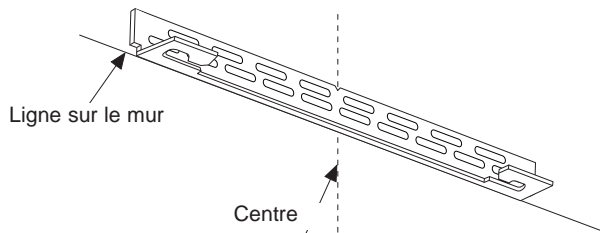
# Instructions d'installation - Installation affleurante pour réfrigérateur et congélateur intégraux

## ÉTAPE 5 INSTALLER UN SUPPORT ANTIBASCULEMENT (suite)

- Le support mural antibasculement est percé d'une série de trous ovales. Choisissez 2 ovales qui correspondent aux montants repérés. Assurez-vous que les ovales choisis sont au centre des montants. Marquez le mur à ces points.



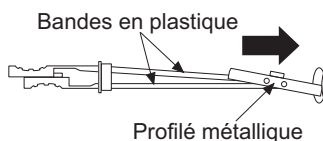
- Marquez un trou supplémentaire à chaque extrémité du support. Si l'un des montants est plus près d'une extrémité du support, marquez un trou supplémentaire vers le centre du support.
- Percez des trous de 1/2 po (1,27 cm) dans le panneau mural aux marques où les ancrages à ailettes seront insérés (et non aux marques des montants).
- Percez des trous de 3/16 po (0,47 cm) dans les montants de bois aux marques. Si les montants sont en acier, percez des trous de 1/2 po (1,27 cm) dans ces montants aux marques. Vous utiliserez 2 ancrages à ailettes pour les montants en acier.



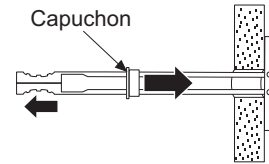
### Installer les ancrages à ailettes muraux :

Pour se procurer les ancrages à ailettes et les boulons associés, on peut commander la trousse de réparation no WR49X10193. Les ancrages à ailettes sont installés dans les cloisons sèches et les montants métalliques pour la stabilité. Installez ces ancrages de la façon suivante :

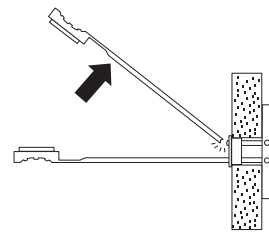
- Percez des trous de 1/2 po (1,27 cm) aux points marqués dans les ovales aux extrémités du support mural.
- Tenez le profilé métallique à plat contre les bandes en plastique et glissez le profilé dans le trou.



- Tirez délicatement les extrémités des bandes en plastique vers l'arrière pour que le profilé se place à angle droit derrière le mur.
- Tenez les extrémités des bandes d'une main et glissez le capuchon en plastique le long des bandes jusqu'à ce que le rebord du capuchon soit à égalité du mur.

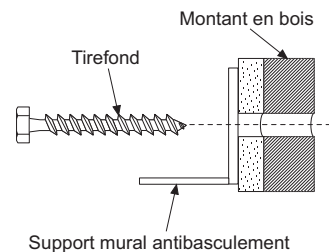


- Placez votre pouce entre les bandes en plastique puis pliez celles-ci de haut en bas pour les dégager du mur.

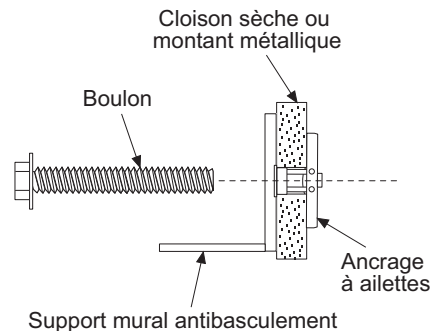


### Installez les vis et les boulons :

- Demandez à une personne de tenir le support mural centré et en position, avec chaque trou aligné sur chaque ovale correspondant du support, de niveau avec la ligne horizontale.
- Insérez les tirefonds à travers le support dans le montant. Serrez à l'aide d'une clé.



- Vissez à la main les boulons dans les ancrages jusqu'au bout. Serrez ensuite avec une clé.



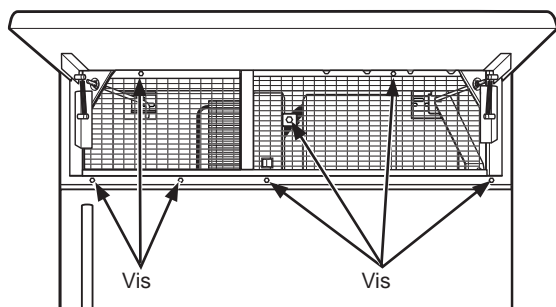
# Instructions d'installation - Installation affleurante pour réfrigérateur et congélateur intégraux

## ÉTAPE 5 INSTALLER UN SUPPORT ANTIBASCULEMENT (suite)

Retirer les grilles pour l'accès aux crochets de verrouillage antibasculement

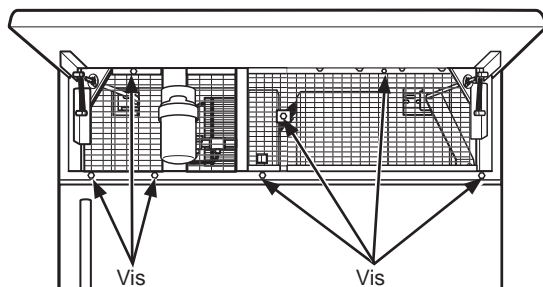
### Réfrigérateur

- Ouvrez le panneau d'accès.
- Retirez 4 vis de la grille à droite et 3 vis de la grille à gauche.
- Tirez le bas des grilles vers l'avant, le bas puis l'extérieur pour les dégager.



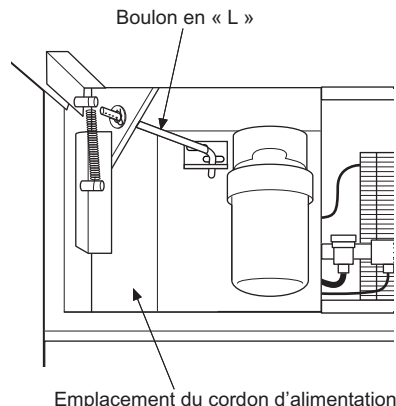
### Congélateur

- Ouvrez le panneau d'accès.
- Retirez 4 vis de la grille à droite et 3 vis de la grille à gauche.
- Tirez le bas des grilles vers l'avant, le bas puis l'extérieur pour les dégager.



### Cordon d'alimentation

Repérez le cordon d'alimentation à l'intérieur de la cavité gauche. S'il n'a pas été disposé pour que sa fiche soit facilement accessible, faites-le maintenant.



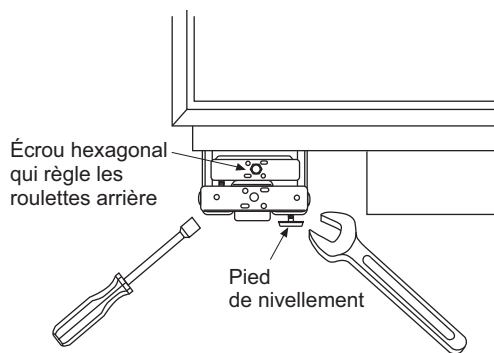
### Déplacez l'appareil à sa position finale

- Déplacez l'appareil vers sa position installée finale. Alignez les languettes du support mural sur les orifices à l'arrière de l'appareil.
- L'appareil est doté de boulons en « L » dans les coins gauche et droit supérieurs à l'intérieur du compartiment d'accès. Ces boulons vont s'enclencher sur le support mural et fixer l'appareil à l'aide de rondelles et de goupilles bêta (fournies dans la trousse de quincaillerie) une fois celui-ci mis de niveau dans sa position finale.

## ÉTAPE 6 METTRE L'APPAREIL DE NIVEAU

Tous les modèles sont dotés de 4 points de nivellement. Le devant est supporté par des pieds de nivellement, l'arrière par des roulettes réglables. Les deux types sont accessibles depuis le devant de l'appareil.

- Pour mettre de niveau l'arrière de l'appareil, tournez l'écrou hexagonal 7/16 po situé au-dessus des roulettes frontales. Tournez dans le sens des aiguilles pour lever l'appareil ou dans le sens contraire pour l'abaisser.



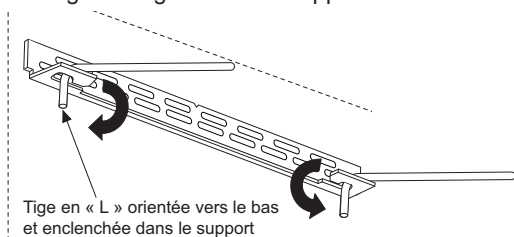
- Pour la mise à niveau du devant, utilisez une clé ouverte de 1 ¼ po.
- Réglez la hauteur de l'appareil pour l'adapter à l'embrasure découpée de 84 ½ po (214,63 cm). L'appareil doit être de niveau et d'équerre avec les armoires.

Le réglage en hauteur des roulettes arrière et des pieds de nivellement à l'avant est limité à 1 po (2,54 cm). Si l'installation exige une hauteur supérieure à 84 ½ po (214,63 cm), l'installateur doit monter l'appareil sur une feuille de contreplaqué ou des patins. Une garniture d'armoire pourra aussi être ajoutée dans le haut de l'embrasure pour la raccourcir. Si vous tentez d'élever l'appareil de plus de 1 po (2,54 cm), vous allez endommager les pieds de nivellement et les roulettes.

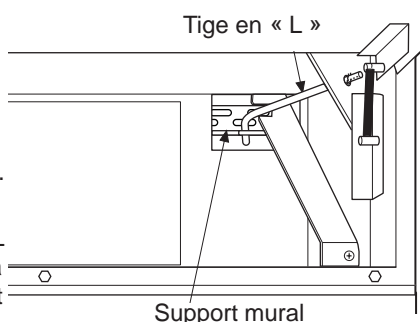
# Instructions d'installation - Installation affleurante pour réfrigérateur et congélateur intégraux

## ÉTAPE 7 FIXER L'APPAREIL SUR LE MUR

- Les tiges en « L » se trouvent dans les coins gauche et droit supérieurs de l'appareil dans le compartiment d'accès. Regardez dans le compartiment d'accès pour vous assurer que les tiges s'alignent sur le support antibasculement.



- Il y a 2 rondelles et une goupille bêta par tige. Retirez les rondelles et la goupille de l'extrémité de la tige.

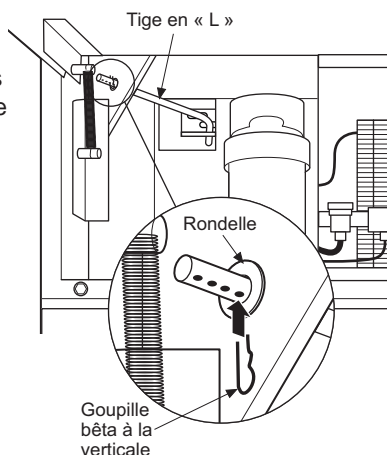


- Faites pivoter et bouger la tige en « L » dans la fente de la languette du support antibasculement.

Une fois dans la fente, faites pivoter la tige de façon que sa partie en crochet pointe vers le bas. Les trous à l'extrémité avant de la tige doivent être en position verticale. Procédez ainsi des deux côtés.

- Tirez sur l'extrémité de la tige pour vous assurer qu'elle est bien enclenchée dans le support.
- Repérez le trou dans la tige qui se trouve au plus près de l'appareil. Une goupille bêta sera insérée dans ce trou pour verrouiller la tige. Si ce trou semble trop loin pour assurer un bon ajustement contre l'appareil, ajoutez une rondelle à la fois jusqu'à ce que la goupille soit bien ajustée dans le trou.

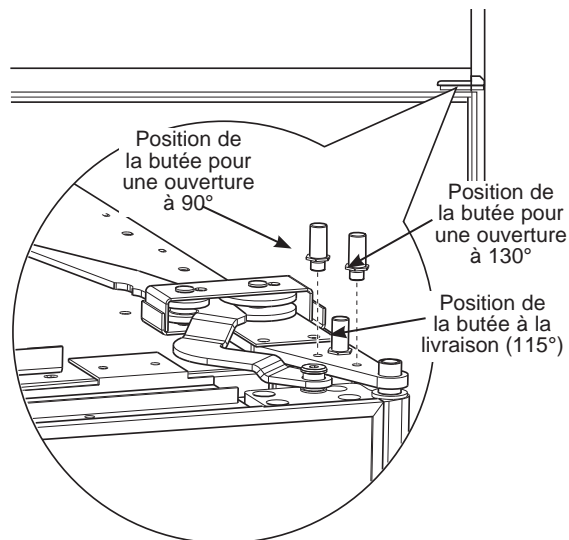
- Alignez la section droite de la goupille sur le trou du dessous de la tige. Poussez la goupille vers le haut jusqu'à ce qu'elle s'enclenche en position. Une pince peut être utilisée. **REMARQUE** : La goupille bêta doit être verticale une fois cette étape achevée pour s'assurer que la tige en « L » est bien enclenchée dans le support.



- Vérifiez le bon ajustement de la tige en la tirant vers l'avant. Si elle bouge, retirez la goupille bêta et placez une autre rondelle sur la tige. Réinsérez la goupille.
- Remplacez le panneau de grille.

## ÉTAPE 8 RÉGLER L'ANGLE D'OUVERTURE DE PORTE

**REMARQUE** : Cet électroménager est doté d'une butée de porte à 3 positions. Si l'espace ne permet pas une ouverture de porte complète à 115°, il est possible de ramener l'angle à 90°. L'ouverture à 130° n'est possible que pour l'installation standard. Sautez cette étape si l'angle d'ouverture de porte est satisfaisante dans le cas de votre installation.



- Ouvrez le capot pour voir la charnière supérieure. Notez les positions de la butée de porte. Celle-ci est insérée à la position 115° à l'usine.
- Fermez la porte. Utilisez une pince pour dévisser la butée et la réinstaller à la position 90° ou 130°.

### ⚠ AVERTISSEMENT



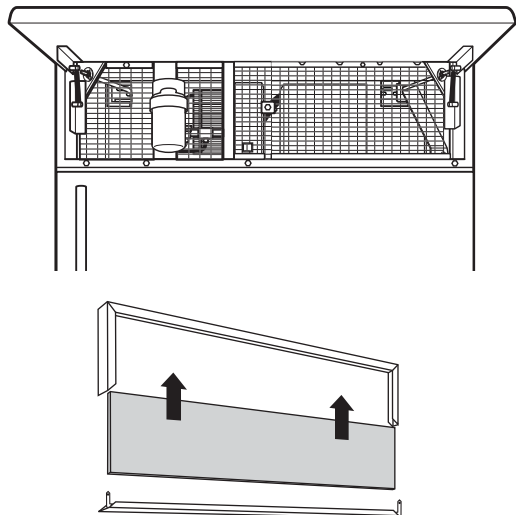
### Risque de pincement de doigts

Une installation incorrecte peut poser un risque de coincement de doigts entre la garniture de porte latérale et les armoires en actionnant la porte, en particulier pour les enfants. Pour réduire ce risque, vous devez suivre les instructions d'installation relatives aux dimensions d'armoire, au montage des garnitures et à l'angle de l'arrêt de porte.

# Instructions d'installation - Installation affleurante pour réfrigérateur et congélateur intégraux

## ÉTAPE 9 INSTALLER LE PANNEAU DE GRILLE

- Levez le panneau d'accès à sa position de blocage.

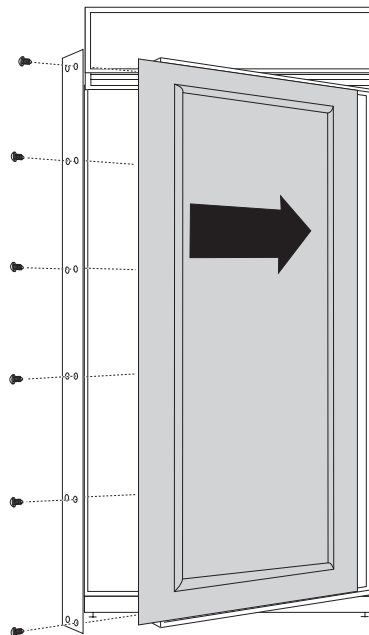


- Desserrez les vis de la garniture latérale derrière le cadre. Retirez la garniture inférieure.
- Glissez le panneau au-dessus du panneau métallique, dans la garniture.
- Si nécessaire, tapotez avec un bloc de bois jusqu'à ce que le panneau glisse sous la pièce de garniture supérieure.
- Réassemblez la garniture inférieure. Serrez les vis.
- Réglez le ressort de charnière selon le poids du panneau, si nécessaire.

## ÉTAPE 10 INSTALLER LES PANNEAUX ENCADRÉS

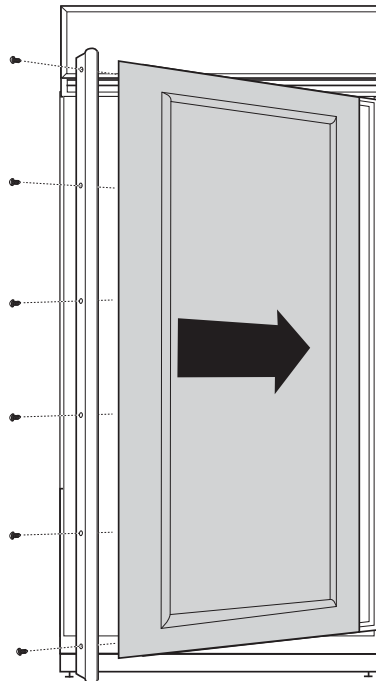
Installer le panneau de porte :

- Ouvrez la porte à 90°.
- Retirez les 12 vis qui fixent la garniture, levez la garniture pour la dégager. Conservez les vis.



### Poignées personnalisées

- **Des poignées personnalisées sont nécessaires pour une installation affleurante. La poignée doit être fixée correctement sur le panneau de recouvrement avant de glisser ce dernier dans la garniture.**
- Le fabricant d'armoires fournira la poignée personnalisée et la quincaillerie.
- Glissez le panneau de porte assemblé dans la garniture.
- Réinstallez la garniture à l'aide de toutes les 12 vis conservées des étapes précédentes.

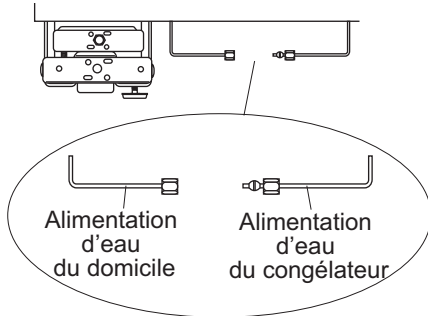




# Instructions d'installation - Installation affleurante pour réfrigérateur et congélateur intégraux

## ÉTAPE 11 RACCORDER L'ALIMENTATION D'EAU (CONGÉLATEURS SEULEMENT)

**⚠ AVERTISSEMENT** Raccordez l'appareil à une alimentation d'eau potable seulement.



- Repérez et acheminer le tuyau jusqu'à l'avant de l'appareil.
- Ouvrez l'alimentation d'eau pour rincer les débris dans la conduite. Faites circuler environ un litre d'eau dans un seau par le tuyau, puis fermez l'alimentation d'eau.

### Tuyau en cuivre :

- Glissez un écrou 1/4 po et une bague (fournis) sur les deux extrémités du tuyau de cuivre. Insérez le tuyau dans le raccord union de l'appareil et serrez l'écrou sur ce raccord.
- Ouvrez l'eau pour vérifier l'absence de fuites.

### Tuyau SmartConnect™ :

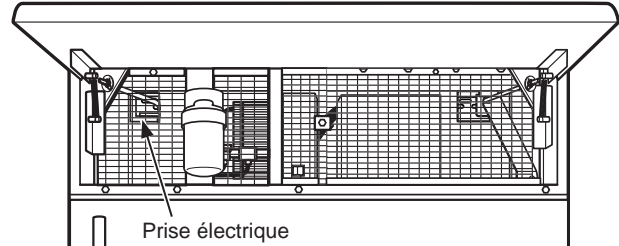
**REMARQUE :** Le seul tuyau en plastique approuvé par Monogram est celui des trousse de tuyau pour réfrigérateur SmartConnect™. N'utilisez pas d'autres tuyaux d'alimentation d'eau en plastique car le tuyau sera sous pression en tous temps. Les autres types de tuyau en plastique peuvent se fissurer et se rompre avec le temps et causer des dégâts d'eau dans votre domicile.

- Insérez l'extrémité moulée du tuyau dans le raccord de l'appareil ou du congélateur. Serrez l'écrou à compression à la main.
- Serrez d'un tour supplémentaire à l'aide d'une clé. Serrer excessivement peut causer des fuites!
- Ouvrez l'eau pour vérifier l'absence de fuites.

**REMARQUE :** Assurez-vous qu'une longueur de tuyau excédentaire ne gêne pas l'installation du coup-de-pied.

## ÉTAPE 12 BRANCHER L'ALIMENTATION ÉLECTRIQUE

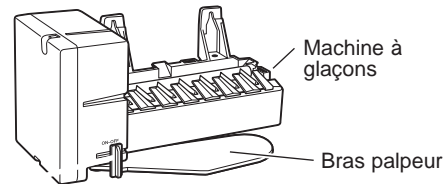
- Assurez-vous que le cordon électrique est branché dans la prise.



- Assurez-vous que l'électricité alimente le réfrigérateur en ouvrant la porte pour voir si les lampes sont allumées.
- Les commandes de température sont pré-réglées à 37 °F (2,78 °C) pour le compartiment réfrigérateur et 0 °F (-17,78 °C) pour le congélateur.
- Allouez 24 heures pour stabiliser la température avant de faire des réglages.

## ÉTAPE 13 DÉMARRER LA MACHINE À GLAÇONS (CONGÉLATEURS SEULEMENT)

**⚠ ATTENTION** Évitez tout contact avec les pièces mobiles du mécanisme d'éjection, ou l'élément chauffant (situé dans le bas de la machine à glaçons) qui libère les glaçons. Ne placez pas les doigts ou les mains sur le mécanisme de production de glace automatique lorsque le congélateur est branché dans la prise électrique.



- La machine à glaçons commencera à fonctionner automatiquement.
- Assurez-vous de ne pas gêner le mouvement du bras palpeur.
- Jetez le premier remplissage du bac à glaçons.
- Pour éteindre la machine à glaçons, voyez la section Installation standard.



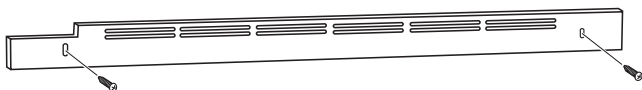
# Instructions d'installation - Installation affleurante pour réfrigérateur et congélateur intégraux

## ÉTAPE 14 INSTALLER LE COUP-DE-PIED

- On peut installer un coup-de-pied personnalisé pour s'agencer aux armoires environnantes.

**IMPORTANT :** Cette plinthe personnalisée NE DOIT PAS recouvrir les fentes d'aération horizontales de la plinthe fabriquée pour le réfrigérateur d'origine et doit dépasser une longueur de 4,1 cm (1 5/8 po) de chaque côté. La hauteur finale doit être découpée lorsque l'appareil est à niveau.

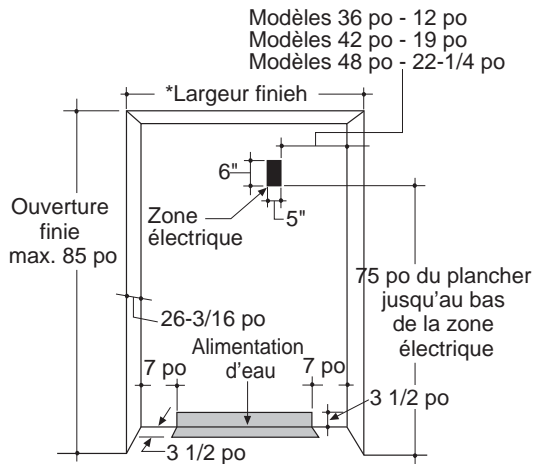
- Installez l'assemblage de coup-de-pied à l'aide de 2 vis fournies, ajustez la hauteur désirée et serrez les vis.



# **Instructions pour installation d'un réfrigérateur à compartiments côte-à-côte**

# Guide de conception - Installation affleurante pour réfrigérateur à compartiments côte-à-côte

## L'ESPACE D'INSTALLATION



- \* La largeur de l'ouverture finie doit être de 39" (99.06 cm) pour les modèles 36 po 45" (114.3 cm) pour les modèles 42 po 51" (129.54 cm) pour les modèles 48 po

### Emplacements des alimentations d'eau et électrique.

L'ouverture doit être préparée avec les alimentations électriques et d'eau froide situées selon l'illustration.

### La profondeur de l'ouverture doit mesurer 26 3/16 po (66,99 cm)

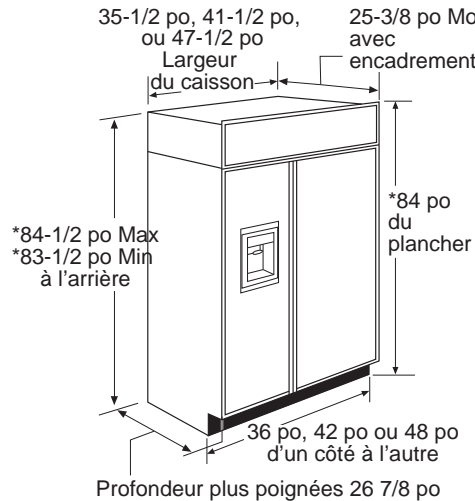
Des taquets en bois sont nécessaires pour une installation affleurante. Voyez la section Taquets latéraux à la page 62.

**Si l'on utilise des panneaux de recouvrement de 3/4 po (1,91 cm) avec ouverture de porte à 90 degrés alors la profondeur de l'ouverture doit mesurer 26 1/4 po (66,68 cm).**

### Spécifications supplémentaires

- Une alimentation électrique de 115 volts, 60Hz, 15 ou 20 ampères est requise. Un circuit de dérivation ou un disjoncteur distinct correctement mis à la terre sont recommandés. Installez une prise électrique à trois alvéoles correctement mise à la terre encastrée dans le mur arrière. Le câblage électrique doit se situer sur le mur arrière comme illustré.
- La conduite d'eau peut pénétrer dans l'ouverture à travers le plancher ou le mur arrière. Acheminez la trousse SmartConnect™ ou un tuyau de cuivre de 1/4 po (D.E.) entre la conduite d'eau froide et le lieu du raccord d'eau. Le tuyau doit être suffisamment long pour atteindre le devant de l'appareil. L'installation d'un robinet de sectionnement aisément accessible est requise.

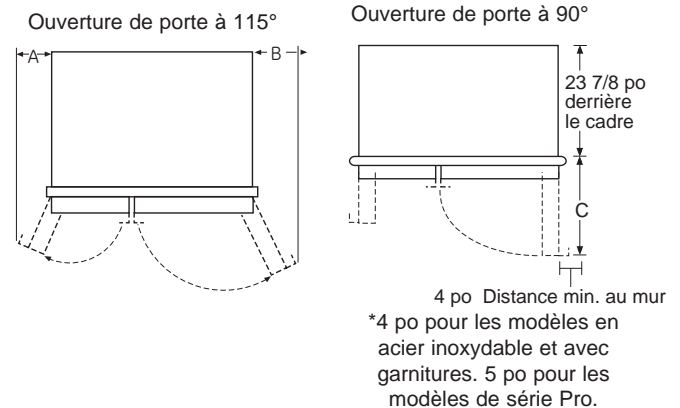
## DIMENSIONS ET DÉGAGEMENTS



\* Hauteur à la livraison. On peut ajuster le réfrigérateur pour le placer dans une ouverture de 85" (215.9 cm) de hauteur. Utilisez les pieds de nivellement et les roulettes pour un ajustement en hauteur maximal de 1 po (2,54 cm).

### Dégagements du produit

Ces réfrigérateurs sont dotés d'une butée à 3 positions. L'ouverture de porte à 115° réglée à l'usine peut être ramenée à 90° si le dégagement aux armoires ou murs adjacents est restreint. Seule une installation standard peut se régler à 130°.



Modèles	A	B	C
36 po	13 po (33.02 cm)	15 po (38.1 cm)	20-5/8 po (52.39 cm)
42 po	13 po (33.02 cm)	19 po (48.26 cm)	26-5/8 po (67.63 cm)
48 po	15 po (38.1 cm)	20 po (50.8 cm)	28-5/8 po (72.71 cm)

Allouez des dégagements minimaux pour la porte congélateur (Dimension A) et la porte réfrigérateur (Dimension B) pour une ouverture de porte complète à 115° et permettre le retrait du plateau.

Pour une ouverture à 90°, allouez un dégagement minimum de 4 po (10,16 cm) au mur pour les modèles encadrés ou en acier inoxydable. Allouez un dégagement minimal de 5 po (12,7 cm) pour les modèles de la série Professional. Si l'on utilise la position à 90°, l'accès au plateau est maintenu mais son retrait est restreint.

# Guide de conception - Installation affleurante pour réfrigérateur à compartiments côte-à-côte

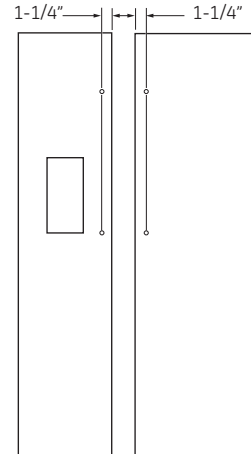
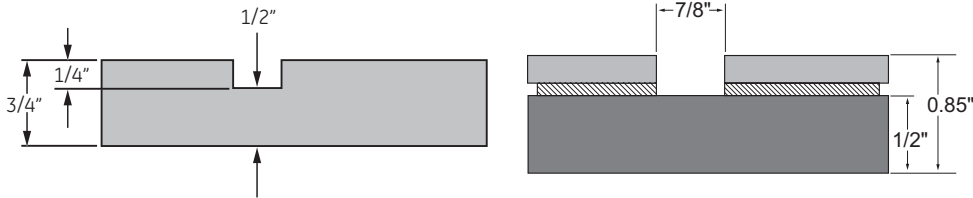
## RENSEIGNEMENTS SUR LA PERSONNALISATION :

Ces réfrigérateurs sont conçus pour être personnalisés à l'aide de panneaux décoratifs. Il faut donc se procurer des panneaux de porte et de grille personnalisés dans le marché.

## GUIDE DE CONCEPTION POUR POIGNÉES PERSONNALISÉES

Il faut utiliser des poignées personnalisées pour une installation affleurante. L'installation de ces poignées nécessite que les trous contre-perçés sur la face arrière des panneaux décoratifs laissent une épaisseur de 1/2 po (1,27 cm) de matériau pour le support de poignée. **REMARQUE :** Le diamètre du trou contre-perçé ne doit pas dépasser 1 po (2,54 cm).

La distance minimale entre le bord latéral et le centre de la poignée doit mesurer 1 1/4 po (3,18 cm) comme illustré.



## EMPLACEMENT DU RÉFRIGÉRATEUR

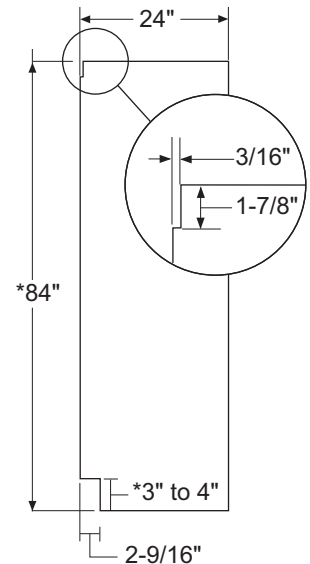
- N'installez pas le réfrigérateur à un endroit où la température peut descendre en dessous de 55 °F (13 °C). L'appareil ne fonctionnera pas suffisamment souvent pour maintenir les températures appropriées.
- N'installez pas le réfrigérateur/congélateur à un endroit où la température monte au-delà de 100 °F (37 °C). L'appareil ne fonctionnera pas correctement.
- N'installez pas le réfrigérateur dans un endroit exposé à l'eau (pluie, etc.) ou aux rayons directs du soleil.
- À cet endroit, le plancher doit pouvoir supporter le poids du réfrigérateur pleinement chargé.

## PANNEAUX LATÉRAUX

On doit utiliser des panneaux latéraux si les côtés du réfrigérateur sont exposés. Les panneaux latéraux de 1/4 po (0,63 cm) vont glisser dans la garniture latérale de caisson.

Attachez les panneaux sur le réfrigérateur à l'aide de ruban autoagrippant (velcro). Commandez les panneaux latéraux auprès du fabricant d'armoires.

- Découpez une encoche dans le coin supérieur avant comme illustré pour le dégagement des clavettes d'angle dans la garniture latérale avant.



\* Selon la hauteur de l'installation.

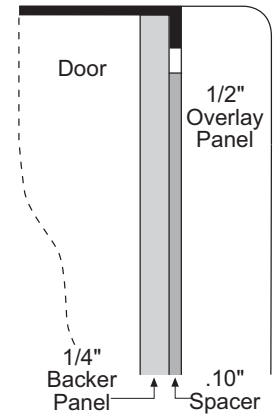
# Guide de conception - Installation affleurante pour réfrigérateur à compartiments côte-à-côte

## DIMENSIONS DU PANNEAU DE RECouvreMENT 1/2 po (1,27 cm)

Pour une apparence davantage personnalisée, on peut installer des panneaux de recouvrement sur les modèles avec garnitures. Il faut poser le panneau de recouvrement sur un panneau de fond de 1/4 po (63 cm) qui glissera dans la garniture. Un panneau d'espacement de 0,10 po (0,25 cm) d'épaisseur doit être placé entre les panneaux de recouvrement et de fond.

### Assemblez les panneaux avec de la colle et des vis.

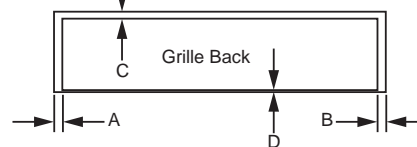
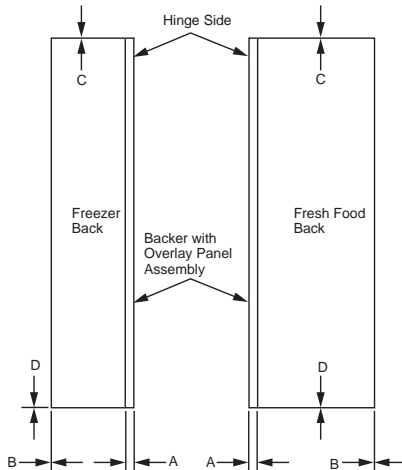
- Centrez le panneau d'espacement sur le panneau de fond, horizontalement et verticalement. Fixez les panneaux avec de la colle.
- Reportez-vous à l'illustration suivante pour identifier le panneau de fond par rapport au panneau de recouvrement. Fixez le panneau de recouvrement sur le panneau de fond avec de la colle et des vis. Il faut noyer les vis dans le panneau de fond.



$$.250 + .10 + .50 = .85$$

$$0.63 + 0.25 + 1.27 = 2.16 \text{ cm}$$

Épaisseur totale des panneaux



	A	B	C	D
Réfrigérateur SxS	2-1/16"	1/4"	1/8"	1/8"
Congélateur SxS	2-1/16"	1/4"	1/8"	1/8"
Grille SxS	2-1/16"	2-1/16"	1-15/32"*	7/32"

\*2 po pour les modèles de 36 po.

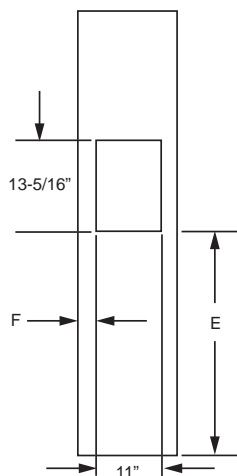
### REMARQUE IMPORTANTE – MODÈLES AVEC DISTRIBUTEUR

Cette trousse est fournie avec 2 garnitures pour distributeur. La garniture pour installation affleurante est conçue pour s'adapter à une épaisseur de panneau totale de 0,85 po (2,16 cm) ou 0,75 po (1,91 cm).

- Si le panneau est inférieur à 0,75 po (1,91 cm), un jeu visible peut apparaître autour de la garniture du distributeur.
- Si le panneau est supérieur à 0,85 po (2,16 cm), la garniture ne peut pas être fixée sur la porte.

- Le panneau de recouvrement doit être construit selon les spécifications indiquées pour atteindre l'épaisseur totale appropriée.
- Découpez l'ouverture du distributeur une fois que les panneaux de fond, d'espacement et de recouvrement ont été assemblés.

### Dimensions du panneau



Côte-à-côte 36 po	Réfrigérateur	Congélateur	Grille	Position de l'ouverture du distributeur	
Panneau de fond 1/4"	68-3/8" x 18-9/16"	68-3/8" x 14-9/16"	33-7/8" x 9"	E	F
Espacement 0,10"	67" x 17-9/16"	67" x 13-9/16"	33" x 8-3/8"		
Panneau de recouvrement 1/2"	68-5/8" x 20-7/8"	68-5/8" x 16-7/8"	38" x 11-3/16"	34-9/32"	3-15/16"
Côte-à-côte 42 po	Réfrigérateur	Congélateur	Grille	Position de l'ouverture du distributeur	
Panneau de fond 1/4"	68-3/8" x 24-9/16"	68-3/8" x 14-9/16"	39-7/8" x 9-1/2"	E	F
Espacement 0,10"	67" x 23-9/16"	67" x 13-9/16"	39" x 8-5/8"		
Panneau de recouvrement 1/2"	68-5/8" x 26-7/8"	68-5/8" x 16-7/8"	44" x 11-3/16"	34-9/32"	3-15/16"
Côte-à-côte 48 po	Réfrigérateur	Congélateur	Grille	Position de l'ouverture du distributeur	
Panneau de fond 1/4"	68-3/8" x 26-9/16"	68-3/8" x 18-9/16"	45-7/8" x 9-1/2"	E	F
Espacement 0,10"	67" x 25-9/16"	67" x 17-9/16"	45" x 8-5/8"		
Panneau de recouvrement 1/2"	68-5/8" x 28-7/8"	68-5/8" x 20-7/8"	50" x 11-3/16"	34-9/32"	5-15/16"

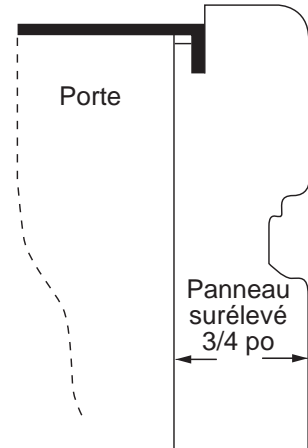
### REMARQUE IMPORTANTE : Poids total maximal des panneaux assemblés :

- Panneau de porte réfrigérateur- 75 lb (34 kg) • Panneau de porte congélateur - 53 lb (24 kg) • Panneau de grille- 18 lb (3,16 kg)

# Guide de conception - Installation affleurante pour réfrigérateur à compartiments côte-à-côte

## DIMENSIONS DU PANNEAU SURÉLEVÉ 3/4 po (1,91 cm)

Pour une apparence davantage personnalisée, on peut installer des panneaux surélevés sur les modèles avec garnitures. Les panneaux doivent mesurer 3/4 po (1,91 cm) en épaisseur et être posés selon les instructions ci-dessous afin d'obtenir un fonctionnement correct.

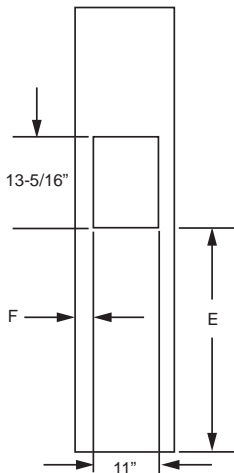


### REMARQUE IMPORTANTE – MODÈLES AVEC DISTRIBUTEUR

Cette trousse est fournie avec 2 garnitures pour distributeur. La garniture pour installation affleurante est conçue pour s'adapter à une épaisseur de panneau totale de 0,85 po (2,16 cm) ou 0,75 po (1,91 cm).

- Si le panneau est inférieur à 0,75 po (1,91 cm), un jeu visible peut apparaître autour de la garniture du distributeur.
- Si le panneau est supérieur à 0,85 po (2,16 cm), la garniture ne peut pas être fixée sur la porte.
- Le panneau de recouvrement doit être construit selon les spécifications indiquées pour atteindre l'épaisseur totale appropriée.

### Dimensions du panneau



Côte-à-côte 36 po	Réfrigérateur	Congélateur	Grille	Position de l'ouverture du distributeur	
				E	F
Panneau surélevé 3/4 po	68-5/8" x 20-7/8"	68-5/8" x 16-7/8"	38" x 11-3/16"	34-9/32"	3-15/16"
Côte-à-côte 42 po	Réfrigérateur	Congélateur	Grille	Position de l'ouverture du distributeur	
				E	F
Panneau surélevé 3/4 po	68-5/8" x 26-7/8"	68-5/8" x 16-7/8"	44" x 11-3/16"	34-9/32"	3-15/16"
Côte-à-côte 48 po	Réfrigérateur	Congélateur	Grille	Position de l'ouverture du distributeur	
				E	F
Panneau surélevé 3/4 po	68-5/8" x 28-7/8"	68-5/8" x 20-7/8"	50" x 11-3/16"	34-9/32"	5-15/16"

**REMARQUE IMPORTANTE :** Poids total maximal des panneaux assemblés :

- Panneau de porte réfrigérateur- 75 lb (34 kg)
- Panneau de porte congélateur - 53 lb (24 kg)
- Panneau de grille- 18 lb (3,16 kg)

## ⚠ AVERTISSEMENT



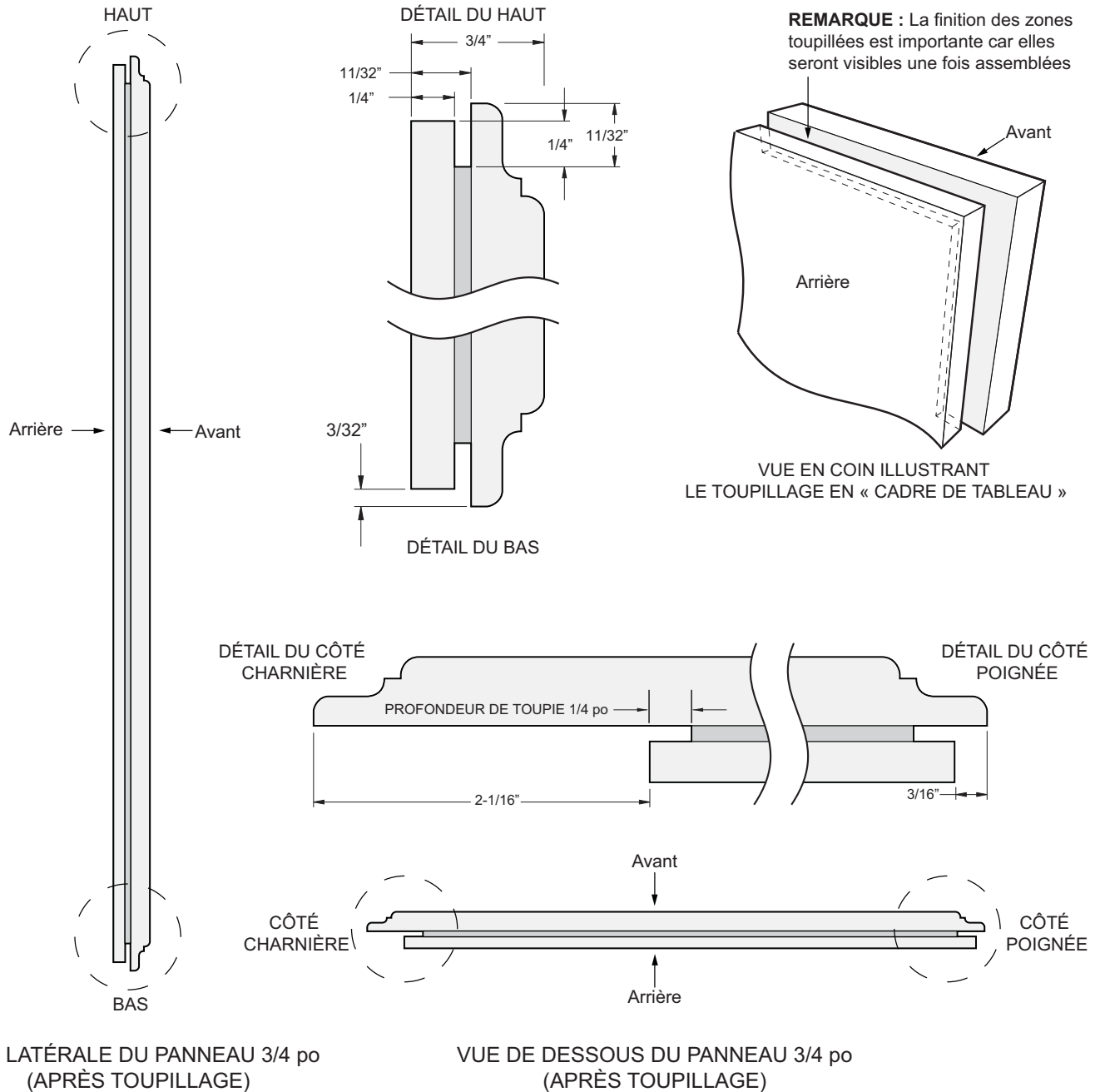
### Risque de pincement de la garniture de porte

Une installation incorrecte représente un risque de pincement pour les doigts entre le côté de la garniture de porte et les armoires lors de l'ouverture ou de la fermeture de la porte, spécialement pour les enfants. Pour réduire ce risque, vous devez suivre les instructions d'installation selon les dimensions des armoires, l'assemblage de garniture et l'angle de butée de la porte.

# Guide de conception - Installation affleurante pour réfrigérateur à compartiments côte-à-côte

## TOUPILLAGE DU PANNEAU DE PORTE SURÉLEVÉ 3/4 po (1,91 cm)

Le toupillage est nécessaire pour le panneau de porte surélevé de 3/4 po (1,91 cm). La profondeur de la toupie est de 1/4 po (0,63 cm) tout autour de la face arrière du panneau. Des réductions de largeur de panneau supplémentaires sont requises selon les illustrations ci-dessous. Cela va créer un toupillage en forme de « cadre de tableau » qui permettra de glisser le panneau dans la garniture de porte.



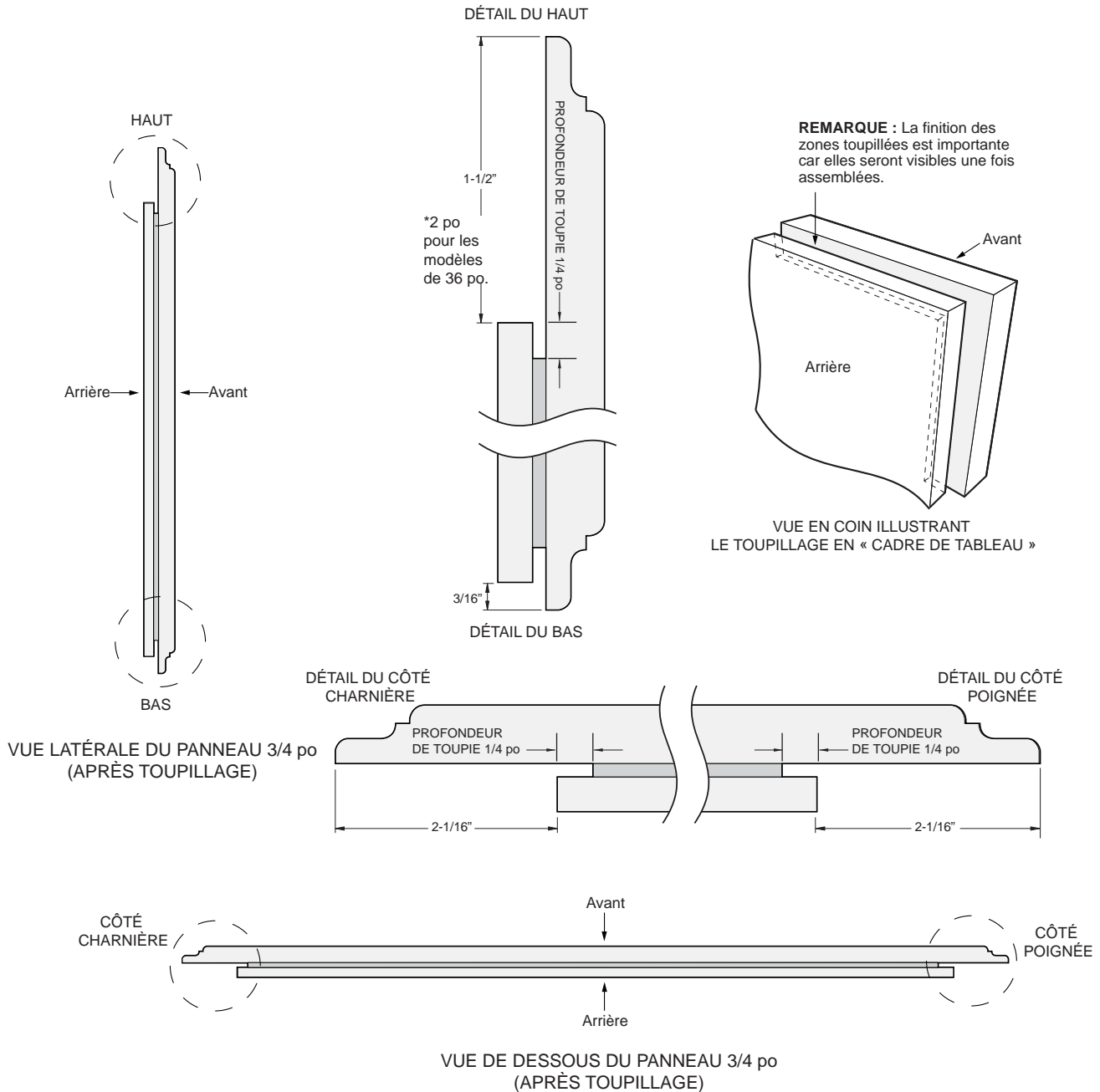
**REMARQUE :** Dans le cas de panneaux construits avec des traverses et des montants (5-panel), la largeur minimale est de 3 po (7,62 cm) pour les traverses et de 4 po (10,16 cm) pour les montants.



# Guide de conception - Installation affleurante pour réfrigérateur à compartiments côte-à-côte

## TOUPILLAGE DU PANNEAU DE GRILLE SURÉLEVÉ 3/4 po (1,9 cm)

Le toupillage est nécessaire pour le panneau de grille surélevé de 3/4 po (1,9 cm). La profondeur de la toupie est de 1/4 po (0,63 cm) tout autour de la face arrière du panneau. Des réductions de largeur de panneau supplémentaires sont requises selon les illustrations ci-dessous. Cela va créer un toupillage en forme de « cadre de tableau » qui permettra de glisser le panneau dans la garniture de grille.



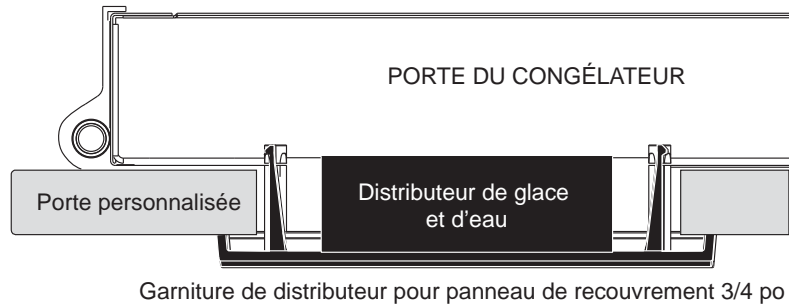
**REMARQUE :** Dans le cas de panneaux construits avec des traverses et des montants (5-panel), la largeur minimale est de 3 po (7,62 cm) pour les traverses et de 4 po (10,16 cm) pour les montants.

# Guide de conception - Installation affleurante pour réfrigérateur à compartiments côte-à-côte

## EXEMPLES DE POSE DE GARNITURE POUR DISTRIBUTEUR : (NON À L'ÉCHELLE)

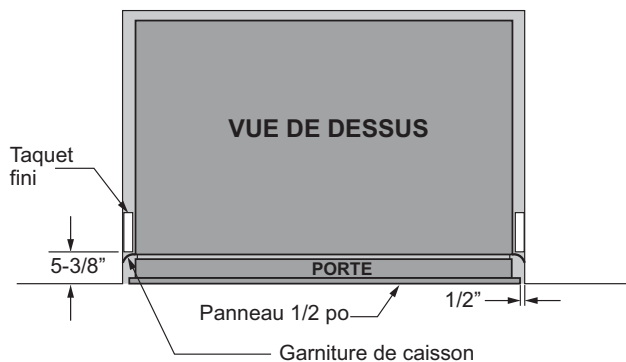
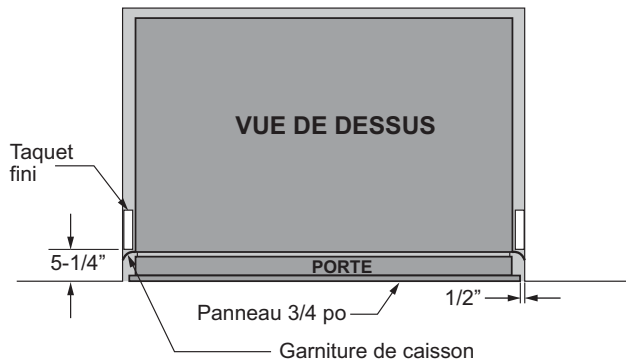
### PANNEAU PERSONNALISÉ

- La garniture du distributeur s'adapte sur le panneau personnalisé et s'encliquète dans la porte du congélateur.



### TAQUETS LATÉRAUX

Il faut installer des taquets de bois verticalement des deux côtés de l'ouverture afin de procurer une butée en profondeur pour le réfrigérateur lorsqu'il est installé dans l'ouverture. Les taquets doivent être installés selon les illustrations ci-dessous en fonction du type de panneau utilisé.



# Instructions d'installation - Installation affleurante pour réfrigérateur à compartiments côte-à-côte

## OUTILS ET MATÉRIAUX REQUIS

- Cisaille pour couper le cerclage
- Escabeau
- Rallonge de foret 1 po
- Ruban à mesurer
- Gants
- Vis autoforeuses 1/4 po
- Seau 5 gallons avec couvercle
- Niveau 6 po
- Diable pour électroménagers
- Coupe-tuyau
- Clé ouverte 7/16 po
- Tournevis à tête cruciforme no 2
- Perceuse et forets appropriés
- Douille 5/16, 7/16 po
- Lunettes de protection
- Clé ouverte 1 1/8 po
- Pince
- Clé à douille combinée 1/4, 5/16 po
- Support antibasculement 2x4, 35 po long
- Tuyau de cuivre 1/4 po pour conduite d'eau ou trousse SmartConnect™ pour réfrigérateur
- Robinet de sectionnement
- Panneaux personnalisés pour porte et panneau de grille
- Vis pour fixer le réfrigérateur aux armoires
- Ruban autoagrippant adhésif pour panneaux latéraux 1/4 po

## QUINCAILLERIE FOURNIE AVEC L'APPAREIL

- Bouchon de dérivation de filtre
- Écrou et bague 1/4 po

## PLANCHER

Une installation correcte exige que le réfrigérateur soit placé sur la surface d'un matériau dur de niveau et de la même hauteur que le reste du plancher. Cette surface doit être suffisamment robuste pour supporter un réfrigérateur pleinement chargé, ou environ 1500 lb (680,39 kg).

**REMARQUE :** Protégez le fini du plancher. Découpez une grande section de carton et placez-la sous le réfrigérateur à l'endroit où vous travaillez.

## MISE À LA TERRE DU RÉFRIGÉRATEUR

### ⚠ AVERTISSEMENT



Risque de choc

électrique.

Le non-respect de ces instructions peut entraîner des risques d'incendies, des chocs électriques ou la mort.

Le cordon d'alimentation de cet appareil est équipé d'une fiche à trois broches (pour une mise à la terre) qui s'adapte à la prise de courant standard à 3 broches (pour une mise à la terre) pour minimiser les risques de chocs électriques par cet appareil.

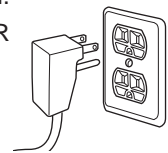
Faites vérifier la prise murale et le circuit électrique par un électricien qualifié pour s'assurer que le système est correctement mis à la terre.

Dans le cas d'une prise biphasée, l'installateur a la responsabilité et l'obligation de la remplacer par une prise triphasée correctement mise à la terre.

**NE COUPEZ PAS OU N'ENLEVEZ PAS, SOUS AUCUN PRÉTEXTE, LA TROISIÈME BROCHE DE MISE À LA TERRE DU CORDON D'ALIMENTATION.**

**N'UTILISEZ PAS D'ADAPTATEUR POUR BRANCHER LE RÉFRIGÉRATEUR À UNE PRISE BIPHASÉE.**

**N'UTILISEZ PAS DE RALLONGE AVEC CET APPAREIL.**



## ÉTAPE 1 RETIRER L'EMBALLAGE

### ⚠ AVERTISSEMENT



Risque de

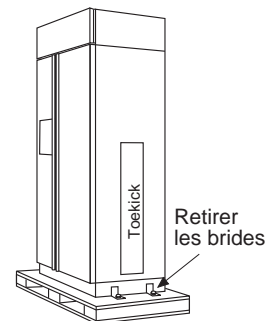
basculement

Le réfrigérateur est beaucoup plus lourd en haut qu'en bas. Il faut être prudent lors des déplacements. Si un diable est utilisé, il faut soulever le réfrigérateur sur le côté seulement.

- Couper avec précaution le cerclage dans le haut et le bas, retirez le carton extérieur.
- Retirez les montants d'angle arrière (2) en les glissant.
- En le glissant, retirez le carton du haut de l'appareil.

**REMARQUE :** IL N'EST PAS NÉCESSAIRE DE DÉPOSER L'APPAREIL POUR RETIRER LE PATIN!

- L'appareil est fixé sur le patin à l'aide de 4 brides d'arrimage à fente. Retirez les six boulons 7/16 po des profilés de base dans les brides.
- Retirez les six boulons 7/16 po qui fixent les brides sur le patin.



# Instructions d'installation - Installation affleurante pour réfrigérateur à compartiments côte-à-côte

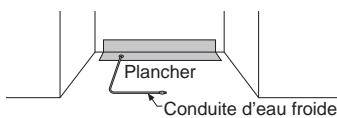
## ÉTAPE 2 DÉPLACER LE RÉFRIGÉRATEUR DANS LE DOMICILE

- Réutilisez les montants d'angle de l'emballage afin de protéger les modèles en acier inoxydable. Placez les sangles de chariot pour électroménager par-dessus les montants et sous les poignées.
- Laissez la pellicule protectrice sur le réfrigérateur tant que l'installation n'est pas terminée. **IMPORTANT** : Ne soulevez jamais le réfrigérateur par la poignée et ne le poussez pas contre le panneau de grille car cela pourrait causer des dommages ou désalignement.
- Évitez de déposer l'appareil sur sa face arrière ou ses côtés pour ne pas nuire à l'étanchéité du système.

## ÉTAPE 3 INSTALLER LA CONDUITE D'EAU

**⚠ AVERTISSEMENT** Raccordez l'appareil à une alimentation d'eau potable seulement.

- Une alimentation d'eau froide est requise pour faire fonctionner la machine à glaçons automatique. La pression d'eau doit se situer entre 40 et 120 psi (275 à 827 kPa).
- Acheminez le tuyau de cuivre 1/4 po (D.E.) ou le tuyau plastique SmartConnect™ entre la conduite d'eau froide du domicile et le raccord d'eau.
- Le tuyau doit être suffisamment long pour atteindre le devant de l'appareil. Prévoyez une longueur de tuyau suffisante pour la courbe menant au raccord de la conduite d'eau.



**REMARQUE** : Les seuls tuyaux en plastique approuvés par Monogram sont ceux inclus dans les trousse de tuyaux pour réfrigérateur SmartConnect™. N'utilisez pas d'autres tuyaux d'alimentation d'eau en plastique car ils seront sous pression constamment. D'autres types de plastique peuvent se fissurer ou se rompre avec le temps et occasionner des dégâts d'eau dans votre domicile.

Les trousse de tuyau pour réfrigérateur SmartConnect™ sont offertes dans les longueurs suivantes :

2' (.6 m)	WX08X10002
8' (2.4 m)	WX08X10006
15' (4.6 m)	WX08X10015
25' (7.6 m)	WX08X10025

## ÉTAPE 3 INSTALLER LA CONDUITE D'EAU (suite)

**Fermez l'alimentation d'eau principale.**

Ouvrez le robinet le plus près suffisamment longtemps pour nettoyer la conduite d'eau.

- Installez un robinet de sectionnement entre le robinet d'eau de la machine à glaçons et le tuyau d'eau froide dans le sous-sol ou une armoire. Le robinet de sectionnement doit être situé à un endroit aisément accessible.
- Ouvrez l'alimentation d'eau principale et rincez les débris. Faites couler environ un litre d'eau à travers le tuyau aboutissant dans un seau. Coupez l'alimentation d'eau au robinet de sectionnement.

**REMARQUE** : Des robinet de sectionnement à étrier sont inclus dans plusieurs trousse d'alimentation d'eau, mais ils ne sont pas recommandés pour cette application.

**REMARQUE** : Les codes de plomberie 248CMR du Commonwealth du Massachusetts doivent être satisfaits. Les robinets à étrier sont illégaux et leur utilisation prohibée dans le Massachusetts. Consultez votre plombier agréé.

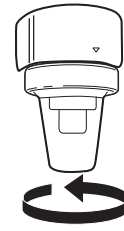
## ÉTAPE 4 INSTALLATION AVEC SYSTÈME DE FILTRATION D'EAU DOMESTIQUE

**Sautez cette étape si vous ne disposez pas de système de filtration d'eau domestique**

Si l'alimentation d'eau au réfrigérateur provient d'un quelconque système de filtration d'eau domestique, la cartouche filtrante doit être retirée. Pour un meilleur rendement en eau et glace, retirez le filtre et installez le bouchon de dérivation de filtre.



Tourner dans le sens contraire des aiguilles pour retirer



Bouchon de dérivation de filtre

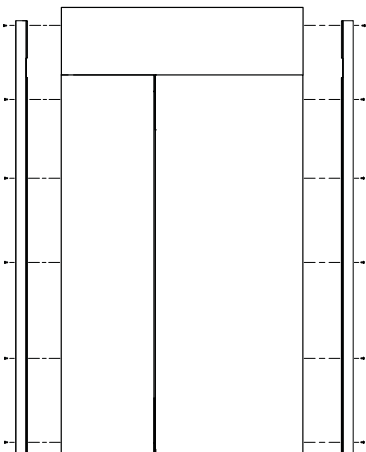
## ÉTAPE 5 INSTALLER LES PANNEAUX LATÉRAUX

Sautez cette étape si vous n'utilisez pas de panneaux latéraux. Si vous utilisez des panneaux latéraux 1/4 po (0,63 cm), il faut les insérer dans la garniture de caisson. Fixez les panneaux sur le réfrigérateur à l'aide de ruban autoagrippant adhésif avant de mettre le réfrigérateur en place.

# Instructions d'installation - Installation affleurante pour réfrigérateur à compartiments côte-à-côte

## ÉTAPE 6 INSTALLER LA GARNITURE DE CAISSON

L'appareil est livré avec une garniture de caisson déjà attachée pour une installation standard. La garniture de caisson pour installation affleurante est fournie avec la trousse ZKFN. Retirez les trois pièces de la garniture de caisson installée à l'usine (deux côtés et haut). Installez la nouvelle garniture à l'aide des pièces de garniture droite et gauche et leurs vis. La pièce du haut n'est pas requise pour une installation affleurante. Fixez la garniture sur chaque côté du caisson comme illustré à l'aide des vis de garniture de caisson, dans les trous présents de chaque côté du caisson.



## ÉTAPE 7 DISPOSITIF ANTIBASCULEMENT

### ⚠ AVERTISSEMENT

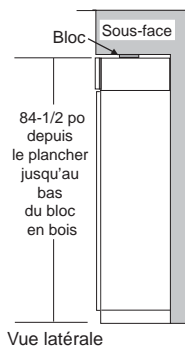


Risque de

### basculement

Ces réfrigérateurs présentent une partie supérieure lourde, en particulier avec une porte ouverte; ils doivent donc être fixés pour prévenir le basculement vers l'avant et le risque concomitant de blessure grave ou fatale. Lisez et suivez les instructions d'installation complètes pour l'installation du système anti-basculé.

- Coupez un bloc de 1 x 4 po, sur 35 po (88,9 cm) de long.
- Mesurez et marquez en dessous du soffite à 5 1/4 po (13,34 cm) du bord avant de l'armoire.
- Fixez le bloc de bois en dessous du soffite. La distance entre le bas du bloc et le plancher fini doit mesurer 84-1/2 po (214,63 cm). Voyez l'illustration.



### BRANCHER LE CORDON D'ALIMENTATION :

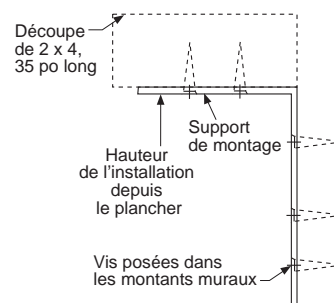
- Avant de pousser le réfrigérateur dans l'ouverture, branchez le cordon électrique dans la prise. Le protecteur de filtre à eau devra être enlevé pour permettre l'accès (certains modèles). Retirez les 3 vis qui le fixent en place. Si l'accès est trop restreint, retirez les 2 vis qui fixent le support de filtre à eau et mettez-le de côté. Ouvrez le panneau de grille et prenez le cordon électrique à l'arrière de l'ouverture. Tirez le cordon dans l'ouverture à mesure que vous repoussez le réfrigérateur. Fixez le support et le protecteur à l'aide des vis d'origine.
- Poussez avec soin le réfrigérateur dans l'ouverture avec les mains sur les coins frontaux.

## ÉTAPE 7 DISPOSITIF ANTIBASCULEMENT (suite)

- Une fois le réfrigérateur poussé dans l'ouverture, utilisez les pieds de nivellement pour lever le réfrigérateur jusqu'à ce qu'il s'appuie sur le bloc installé dans le haut de l'ouverture.

**Nous recommandons que les appareils destinés à installation affleurante soient installés sous un soffite. Si cela est impossible, suivez les instructions relatives à l'emploi de supports de montage.**

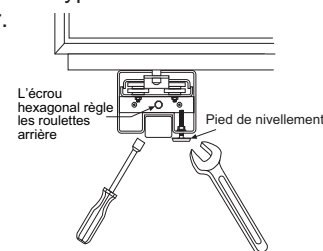
- Découpez un bloc de 2 x 4 po, sur 35 po (88,9 cm) de long et fixez le bloc sur les supports de montage fournis à l'aide de vis à bois nos 12 ou 14.
- Fixez le support avec le bloc de bois sur le mur arrière de façon qu'il soit à 84-1/2 po (214,63 cm) du plancher fini. Utilisez des vis à bois nos 12 ou 14. Voir l'illustration.
- Les vis doivent pénétrer les montants muraux sur au moins 1 pouce.
- En présence de montants métalliques, utilisez alors des vis à tôle plutôt que des vis à bois pour fixer le bloc et les supports sur le mur.



## ÉTAPE 8 METTRE LE RÉFRIGÉRATEUR DE NIVEAU

Tous les modèles sont dotés de 4 points de nivellement. Le devant est supporté par des pieds de nivellement; l'arrière par des roulettes réglables. Les deux types sont accessibles depuis le devant du réfrigérateur.

- Pour niveler l'arrière du réfrigérateur, tournez l'écrou hexagonal 7/16 po situé au dessus des roulettes avant. Tournez dans le sens des aiguilles pour lever l'appareil, dans le sens inverse pour le baisser.
- Pour niveler le devant, utilisez une clé ouverte 1 1/4 po (3,175 cm).
- Ajustez la hauteur du réfrigérateur pour l'adapter à l'ouverture de 83 1/2 po (212,09 cm) à 84 1/2 po (214,63 cm). Le réfrigérateur doit être de niveau et aplombé aux armoires.



**NOTICE:** Les roulettes de nivellement arrière et les pieds de nivellement avant sont limités à une hauteur de réglage maximale de 1 po. Si l'installation exige une hauteur supérieure à 84 1/2 po, l'installateur doit surélever l'appareil sur une feuille de contreplaqué ou des rails. On peut aussi ajouter une garniture d'armoire dans le haut de l'ouverture pour raccourcir celle-ci. Une tentative de lever le réfrigérateur de plus de 1 po (2,54 cm) endommagera les pieds de nivellement avant et les roulettes de nivellement arrière.

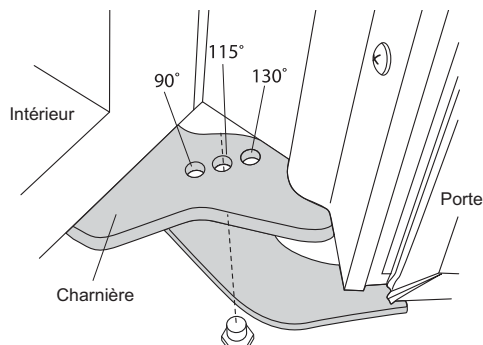
**Procédez aux ajustements graduellement.**

# Instructions d'installation - Installation affleurante pour réfrigérateur à compartiments côte-à-côte

## ÉTAPE 9 AJUSTER L'OUVERTURE DE PORTE

**REMARQUE :** Ce réfrigérateur est doté d'une butée de porte à 3 positions. Lorsque l'espace est insuffisant pour une ouverture de porte complète à 115°, on peut ramener l'ouverture à 90°. Une ouverture à 130° est offerte pour l'installation standard seulement. Si elle est utilisée pour une installation affleurante, les panneaux en bois seront endommagés. **Sautez cette étape si l'ouverture de porte est satisfaisante pour votre installation.**

- Ouvrez la porte pour voir la charnière inférieure. Repérez les positions pour la tige de butée de porte. La tige est placée à 115° à l'usine.
- Fermez la porte. Depuis le dessous, utilisez une pince pour dévisser la butée de porte puis réinstallez à la position 130° ou 90°.



### ⚠ AVERTISSEMENT



Risque de pincement

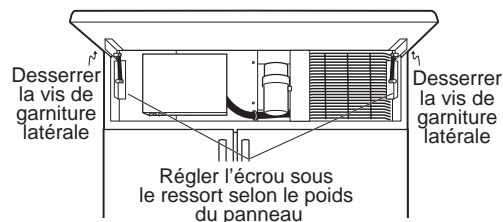
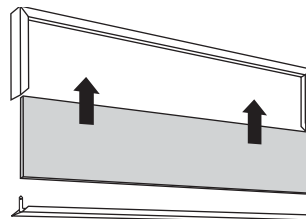
#### de la garniture de porte

Une installation incorrecte représente un risque de pincement pour les doigts entre le côté de la garniture de porte et les armoires lors de l'ouverture ou de la fermeture de la porte, spécialement pour les enfants. Pour réduire ce risque, vous devez suivre les instructions d'installation selon les dimensions des armoires, l'assemblage de garniture et l'angle de butée de la porte.

## ÉTAPE 10 INSTALLER LE PANNEAU DE GRILLE

Pour insérer le panneau encadré ou de recouvrement dans la grille :

- Levez le panneau d'accès jusqu'à la position d'arrêt.
- Desserrez les vis sur la garniture latérale derrière le cadre. Retirez la garniture inférieure.



### ⚠ ATTENTION

RISQUE DE COUPURE : ATTENTION

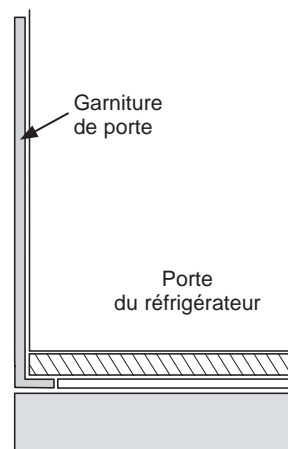
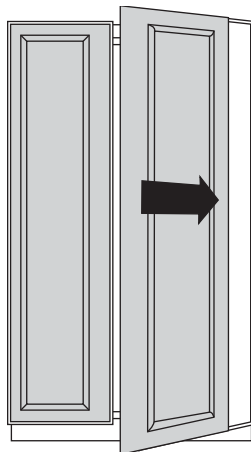
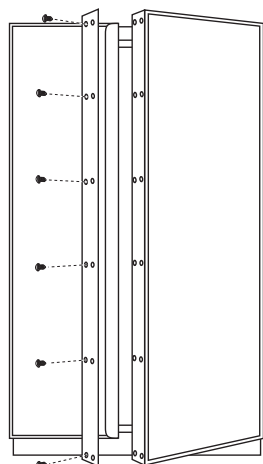
#### AUX ARÊTES VIVES

Le panneau en métal peut être glissant. Tenir fermement le panneau en métal, de manière à ce que le panneau ne glisse pas en dehors du cadre en provoquant des blessures corporelles ou des dommages au cadre.

- Glissez le panneau par-dessus le panneau de fond métallique et dans la garniture.
- Si nécessaire, tapotez avec un bloc de bois jusqu'à ce que le panneau glisse sous la garniture supérieure.
- Réassemblez la garniture inférieure. Serrez les vis.
- Réglez le ressort de charnière selon le poids du panneau, si nécessaire.

# Instructions d'installation - Installation affleurante pour réfrigérateur à compartiments côte-à-côte

## ÉTAPE 11 INSTALLER LES PANNEAUX DE RECouvreMENT



### Installer les panneaux de porte :

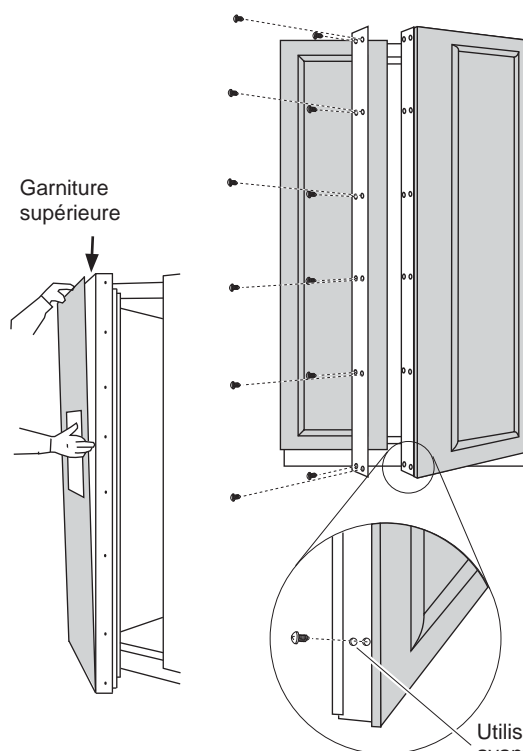
- Ouvrez la porte à 90°.
- Retirez 12 vis qui fixent la garniture de porte du côté poignée, puis soulevez la garniture pour la dégager. Conservez les vis.
- Glissez le panneau de recouvrement dans la garniture de porte.
- Il est nécessaire d'utiliser des insertions affleurantes avec les poignées personnalisées. Assurez-vous de fixer les poignées avant d'installer les panneaux.

### Modèles avec distributeur seulement :

- **IMPORTANT:** Les commandes du distributeur dépassent de la face de la porte du congélateur. Pour éviter d'endommager le distributeur, il faut enlever la garniture dans le haut de la porte.
- Retirez les vis qui fixent la garniture supérieure.
- Placez le panneau de congélateur assemblé dans le profilé inférieur et glissez-le dans la garniture côté charnière.
- Réinstallez la pièce de garniture supérieure à l'aide de toutes les vis d'origine.

### Tous les modèles

- Deux ensembles de trous se trouvent dans la garniture de porte. Remplacez la garniture de porte en installant toutes les vis dans les deux ensembles de trous de vis.
- Suivez la même procédure pour installer le panneau opposé.



Utiliser les trous avant et arrière pour installer toutes les vis d'origine et fixer la garniture

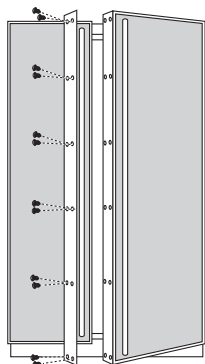


# Instructions d'installation - Installation affleurante pour réfrigérateur à compartiments côte-à-côte

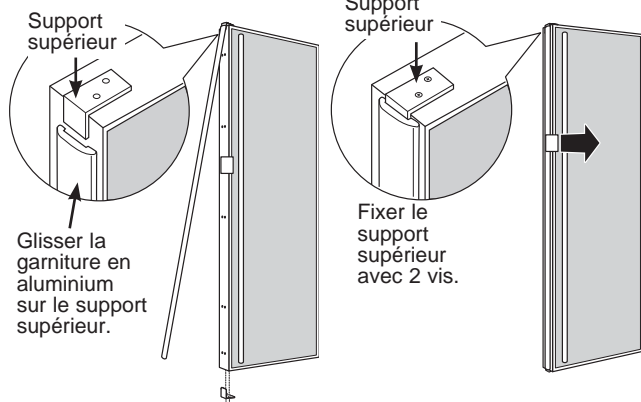
## ÉTAPE 11 INSTALLER LES PANNEAUX DE RECOUVREMENT (suite)

### Poignées personnalisées

- Il faut utiliser des poignées personnalisées avec une installation affleurante. La poignée doit être fixée correctement sur le panneau de recouvrement avant de glisser le panneau dans la garniture.
- Le fabricant d'armoire fournira la poignée personnalisée et sa visserie.
- Vous pouvez vous départir de la poignée Visor fournie.
- Réinstallez la garniture de porte côté poignée à l'aide des 6 vis à tête plate fournies, plus les 6 vis à tête plate d'origine de la garniture de porte côté poignée.
- Une trousse de recouvrement est fournie avec votre réfrigérateur. On peut l'utiliser pour recouvrir les vis exposées.
- Installez un support fourni dans le haut de la porte à l'aide d'un tournevis cruciforme et des 2 vis fournies. **Serrez à la main les vis dans les supports. Ne serrez pas excessivement car cela peut causer des dommages.**
- Nettoyez la garniture en aluminium avec de l'alcool à friction; n'utilisez pas d'alcool qui contient de l'huile ou de la lanoline car cela empêchera l'adhésion du ruban à double face.
- Glissez la garniture du couvercle en aluminium sur le support supérieur pour en vérifier l'adaptation. La garniture du couvercle en aluminium est dotée d'une fente à chaque extrémité qui adapte le support.



Poser toutes les vis d'origine



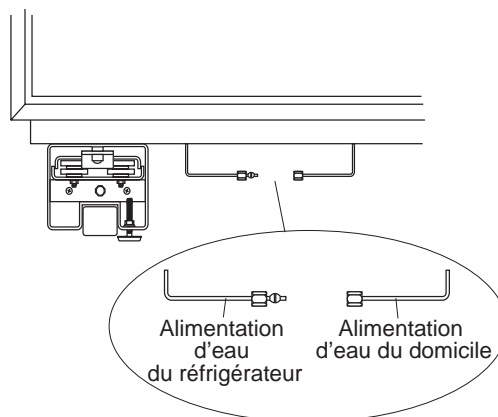
- Enlevez la garniture. Retirez quelques centimètres de doublure de l'endos adhésif.  
**IMPORTANT :** Le ruban est très collant et robuste. Une fois qu'il adhère à une surface, il ne peut être retiré sans endommager les deux surfaces. N'installez pas la garniture avant que les panneaux de bois finals ne soient en place. Assurez-vous d'aligner la garniture soigneusement avant de retirer le papier de l'endos.

## ÉTAPE 11 INSTALLER LES PANNEAUX DE RECOUVREMENT (suite)

- Placez avec soin la garniture de couvercle en aluminium sur le support supérieur de façon que le support se trouve à l'intérieur de la garniture de couvercle. Utilisez les sillons verticaux sur le côté de la poignée pour aligner la garniture de couvercle précisément. Alignez le support sur les trous de vis dans le haut de la porte.
- Tirez le ruban sur quelques pouces à la fois tout en pressant la garniture contre la porte. Maintenez la pression durant environ 10 secondes avant de continuer sur la longueur de la porte.
- Installez un autre support dans le bas de la porte pour fixer la garniture de couvercle. Utilisez un tournevis cruciforme et les 2 vis fournies.
- **REMARQUE :** Assurez-vous de l'absence de jeu dans l'installation.
- Suivez la même procédure pour la porte opposée.

## ÉTAPE 12 RACCORDEMENT DE L'ALIMENTATION D'EAU

**⚠ AVERTISSEMENT** Raccordez l'appareil à une alimentation d'eau potable seulement.



- Repérez et acheminez le tuyau à l'avant de l'armoire.
- Ouvrez l'alimentation d'eau pour rincer les débris de la conduite. Faites couler environ un litre d'eau à travers le tuyau aboutissant dans un seau, puis fermez l'alimentation d'eau.

### Tuyau de cuivre :

- Enfilez un écrou 1/4 po et une bague d'extrémité (fournis) aux deux bouts du tuyau de cuivre. Insérez le tuyau dans le raccord union sur l'appareil et serrez l'écrou sur le raccord union.
- Ouvrez l'alimentation d'eau pour vérifier l'absence de fuites.

# Instructions d'installation - Installation affleurante pour réfrigérateur à compartiments côte-à-côte

## ÉTAPE 12 RACCORDEMENT DE L'ALIMENTATION D'EAU (suite)

**Tuyau SmartConnect™ :**

**REMARQUE :** Les seuls tuyaux en plastique approuvés par Monogram sont ceux inclus dans les trousse de tuyaux pour réfrigérateur SmartConnect™. N'utilisez pas d'autres tuyaux d'alimentation d'eau en plastique car ils seront sous pression constamment. D'autres types de plastique peuvent se fissurer ou se rompre avec le temps et occasionner des dégâts d'eau dans votre domicile.

Les trousse de tuyau pour réfrigérateur SmartConnect™ sont offertes dans les longueurs suivantes :

2 pi (0,6 m) WX08X10002

8 pi (2,4 m) WX08X10006

15 pi (4,6 m) WX08X10015

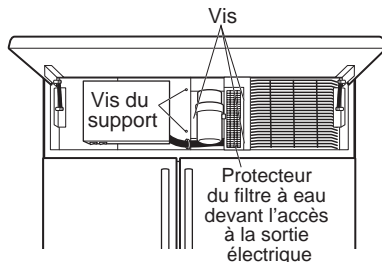
25 pi (7,6 m) WX08X10025

- Insérez l'extrémité moulée du tube dans le raccord du réfrigérateur. Serrez l'écrou à compression à la main.
- Serrez ensuite d'un tour supplémentaire avec une clé. Un serrage excessif peut causer des fuites!
- Ouvrez l'alimentation d'eau pour vérifier l'absence de fuites.
- Faites fonctionner le distributeur, s'il y a lieu, durant 2 minutes.

**REMARQUE :** Assurez-vous que la longueur de tuyau excédentaire ne gêne pas la fermeture du tiroir ou l'installation du coup-de-pied.

## ÉTAPE 13 BRANCHER L'ALIMENTATION ÉLECTRIQUE, FERMER LE PANNEAU DE GRILLE

- Ouvrez le panneau de grille.
- Branchez le cordon électrique (si nécessaire) se trouvant dans l'ouverture près du filtre à eau. Il faut enlever le protecteur du filtre à eau pour permettre l'accès (certains modèles). Retirez les 3 vis qui le fixent. Si l'accès est trop restreint, retirez les 2 qui fixent le support de filtre à eau et mettez-le de côté. Branchez le cordon électrique. Fixez le support et le protecteur à l'aide des vis d'origine.

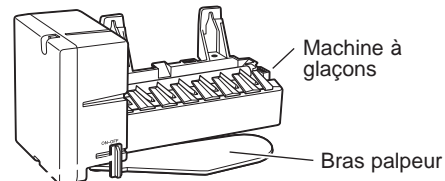


- Assurez-vous que l'électricité alimente le réfrigérateur en ouvrant la porte pour voir si les lampes sont allumées.
- Les commandes de température sont pré-réglées à 37 °F (2,78 °C) pour le compartiment réfrigérateur et 0 °F (-18 °C) pour le congélateur.
- Allouez 24 heures pour stabiliser la température avant de faire des réglages.

## ÉTAPE 14 DÉMARRER LA MACHINE À GLAÇONS

**ATTENTION**

Évitez tout contact avec les pièces mobiles du mécanisme d'éjection ou l'élément chauffant (situé dans le bas de la machine à glaçons) qui libère les cubes. Ne placez pas les doigts ou les mains sur le mécanisme de production de glace automatique lorsque le réfrigérateur est branché dans la prise électrique.

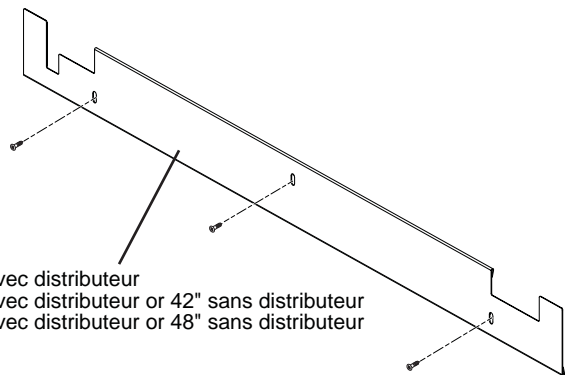


- La machine à glaçons commencera à fonctionner automatiquement.
- Assurez-vous que rien ne gêne le mouvement du bras palpeur.
- Jetez le premier seau plein de glaçons.
- Pour éteindre la machine à glaçons, voyez la section Installation standard.

# Instructions d'installation - Installation affleurante pour réfrigérateur à compartiments côte-à-côte

## ÉTAPE 15 INSTALLER LE COUP-DE-PIED

- On peut installer un coup-de-pied personnalisé pour s'agencer aux armoires environnantes. Utilisez la plinthe fournie avec le réfrigérateur d'origine comme gabarit pour mesurer la longueur de 4,1 cm (1 5/8 po) devant dépasser de chaque côté de la plinthe personnalisée. La hauteur finale doit être découpée lorsque l'appareil est à niveau.

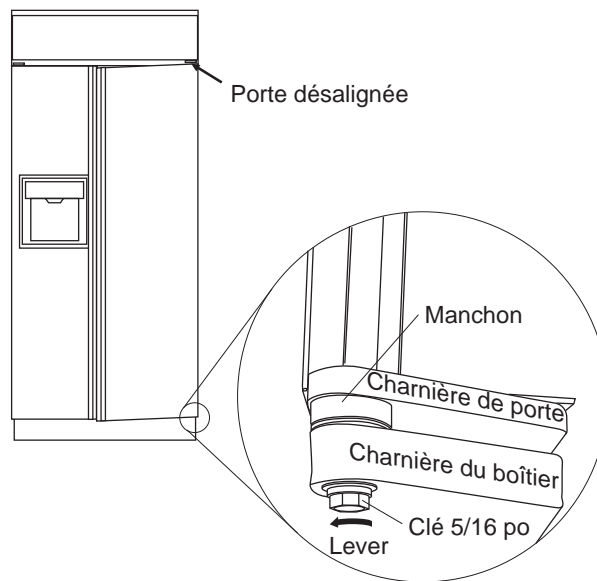


36" avec distributeur  
42" avec distributeur or 42" sans distributeur  
48" avec distributeur or 48" sans distributeur

## INSPECTER L'INSTALLATION FINALE

Vérifiez l'alignement de la porte. Tenez-vous à distance du réfrigérateur pour inspecter l'installation finale.

- Assurez-vous que les poignées sont alignées uniformément les unes avec les autres dans le haut. Pour ajuster, desserrez les vis de poignées et glissez vers le haut ou le bas. Serrez les vis.
- La livraison ou l'ajout de panneaux de portes lourds peut désaligner les portes légèrement.



- Si nécessaire, on peut ajuster la porte du réfrigérateur vers le haut ou le bas pour l'aligner avec la porte du congélateur.
- Utilisez une clé 5/16 po pour ajuster la tige de charnière comme illustré.

**REMARQUE : Veuillez porter des lunettes de protection en procédant aux installations décrites dans ce manuel.**

**REMARQUE : L'amélioration des produits constitue un effort constant chez Monogram. Par conséquent, les matières, l'apparence et les caractéristiques techniques sont sujettes à modification sans préavis.**



**MONOGRAM**



# INSTRUCCIONES DE INSTALACIÓN

**con Guía de Diseño**  
**Instalación con Montaje al Ras**  
**de Refrigeradores Incorporados**

Español

# Información sobre Seguridad

## ANTES DE COMENZAR

Lea estas instrucciones en su totalidad y atentamente.

- **IMPORTANTE** – Conserve estas instrucciones para uso del inspector local. Cumpla con todos los códigos y ordenanzas gubernamentales.
- **Nota para el Instalador** – Asegúrese de entregarle estas instrucciones al Comprador.
- **Nota para el Consumidor** – Guarde estas instrucciones con su Manual del Propietario para referencia futura.

Si la unidad que recibió está dañada, se deberá comunicar de inmediato con su vendedor o fabricante.

**Nivel de habilidad** – La instalación de esta unidad requiere un nivel básico de habilidades mecánicas, de carpintería y plomería. La correcta instalación del producto es responsabilidad del instalador. Si se producen fallas en el producto debido a una instalación inadecuada, la Garantía de Monogram no cubrirá las mismas. Para obtener información sobre la garantía, consulte el Manual del Propietario.

### **⚠ ADVERTENCIA** **Riesgo de Descarga Eléctrica**

Enchufe en un tomacorriente con conexión a tierra de 3 cables.

No elimine el cable de conexión a tierra.

No use un adaptador.

Inmediatamente interrumpa el uso de un cable de suministro de corriente dañado. Si el cable de corriente se encuentra dañado, su reemplazo deberá ser realizado por un profesional calificado del servicio técnico, utilizando una pieza del servicio técnico autorizada por el fabricante.

No use prolongadores con este electrodoméstico.

Si no se siguen estas instrucciones, se podrá producir la muerte, incendios o descargas eléctricas.

Siga las instrucciones que figuran en la sección de Conexión de Tierra de la unidad.

Este electrodoméstico deberá ser instalado por algún medio en el cableado fijo del hogar o en un disyuntor para desconectar el electrodoméstico del suministro eléctrico luego de la instalación.

### **⚠ ADVERTENCIA** **Riesgo de Caídas**

Estos electrodomésticos son inestables, especialmente cuando una puerta se encuentre abierta, y deben estar asegurados a fin de evitar caídas hacia adelante que podrían resultar en la muerte o en lesiones graves. Lea y siga las instrucciones de instalación en su totalidad para asegurar el electrodoméstico con el sistema anti volcaduras.

### **⚠ ADVERTENCIA** **Peligro de Incendio o Explosión**

Mantenga cualquier material y vapores inflamables alejados del electrodoméstico. Si no se cumple con esto, se podrá producir una explosión, un incendio o la muerte.

**⚠ ADVERTENCIA** A fin de reducir el riesgo asociado con descargas, no permita que los niños menores de 3 años de edad tengan acceso a las partes pequeñas durante la instalación de este producto.

### **⚠ PRECAUCIÓN** **Riesgo al levantar la puerta**

Este refrigerador es muy pesado. A fin de reducir el riesgo de lesiones personales durante la maniobra e instalación de este refrigerador, se requiere contar con 3 personas para una correcta instalación del modelo de 36" de ancho y con 4 personas para una correcta instalación del modelo de 42" o 48".

**⚠ PRECAUCIÓN** Mantenga los dedos fuera de los espacios de "riesgo de lastimaduras"; los espacios entre las puertas y entre las puertas y el gabinete son necesariamente pequeños. Tenga el cuidado de cerrar las puertas cuando se encuentren niños en el área.

Para acceder al servicio local de Monogram en su área, visite [monogram.com](http://monogram.com)

Para acceder al servicio de Monogram en Canadá, visite [monogram.ca](http://monogram.ca)

Para acceder a Piezas y Accesorios de Monogram, visite [monogram.com/use-and-care/parts](http://monogram.com/use-and-care/parts)

# Contenidos

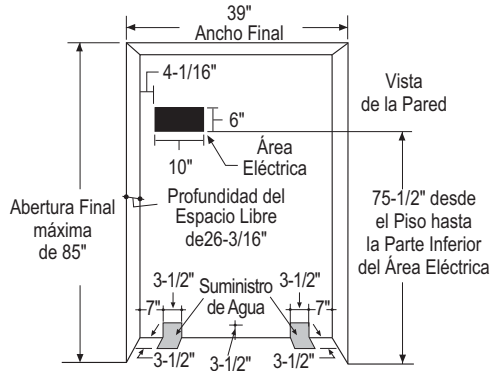
<b>Seguridad</b>	2	Paso 12. Conecte la Corriente	36
<b>Refrigerador con Freezer Inferior con Puerta Francesa</b>	4	Paso 13. Encienda la Máquina de Hielo	36
<b>Guía de Planificación</b>		Paso 14. Instale el Zócalo	36
El Espacio de Instalación	5	<b>Unidades de Sólo Refrigerador y Sólo Freezer</b>	37
Dimensiones y Espacios Libres	5	<b>Guía de Planificación</b>	
Guía de Diseño de la Manija a Medida	5	El Espacio de Instalación	38
Dimensiones del Panel Revestido de 1/2"	6	Dimensiones y Espacios Libres	38
3/4" (1.9 cm) Decorative Panel Dimensions	7	Espacios Necesarios	39
Instrucciones Básicas de Personalización:	7	Instalación del Kit Unificado ZKBFN720NII	39
Ubicación del Refrigerador	7	Guía de Diseño de la Manija a Medida	39
Rebajado del Panel de la Puerta de Comidas Frescas 3/4" (1.9 Cm)	8	Dimensiones del Panel Revestido de 1/2" (1,27 cm)	40
Rebajado del Panel del Cajón del Freezer Elevado de 3/4" (1.9 Cm)	9	Dimensiones del Panel Decorativo de 3/4" (1.9 cm)	41
Rebajado del Panel con Rejilla Elevada de 3/4" (1.9 Cm)	10	Rebajado del Panel con Puerta Elevada de 3/4" (1.91 cm)	42
Paneles Laterales	11	Rebajado del Panel con Rejilla Elevada de 3/4"	43
Ristreles Laterales	11	Rebajado del Panel de la Puerta Elevada de 3/4" (1.9 Cm)	44
<b>Instrucciones de Instalación</b>		Para una Instalación Unificada	44
Herramientas, Hardware, Materiales, Piso	12	Paneles Laterales	45
Conexión a Tierra de la Unidad	12	Kit Unificado ZKBFN720NII	45
Paso 1. Retire el Embalaje	13	Dimensiones del Panel de Puerta Unificado	45
Paso 2. Instale la Tubería de Agua	13	Ristreles Laterales	46
Paso 2A. Tubería de Agua Instalación con un Sistema de Ósmosis Inversa	13	Ubicación del Refrigerador	46
Paso 3. Instale los Paneles Laterales	13	<b>Instrucciones de Instalación</b>	
Paso 4. Instale el Marco de la Carcasa	13	Herramientas, Hardware, Materiales, Piso	47
Paso 5. Procedimiento Anti Volcaduras	14	Conexión a Tierra de la Unidad	47
Paso 6. Nivele el Refrigerador	15	Paso 1. Retire el Embalaje	48
Paso 7. Asegure la Unidad a la Pared	15	Paso 2. Instale la Tubería de Agua	48
Paso 8. Procedimiento Anti-Volcaduras Alternativo	16	Paso 3. Instale los Paneles Laterales	48
Paso 9. Ajuste el Giro de la Puerta	17	Paso 4. Instale el Marco de la Carcasa	49
Paso 10. Instale el Panel con Rejilla	17	Paso 5. Procedimiento Anti Volcaduras	49
Paso 11. Instale Los Paneles Ensamblados	18	Paso 6. Nivele la Unidad	51
Paso 12. Conecte el Suministro de Agua	19	Paso 7. Asegure la Unidad a la Pared	52
Paso 13. Conecte la Corriente	19	Paso 8. Ajuste el Giro de la Puerta	52
Paso 14. Encienda la Máquina de Hielo	19	Paso 9. Instale el Panel con Rejilla	53
Paso 15. Instale el Zócalo	20	Paso 10. Instale los Paneles Revestidos	53
Inspeccione la Instalación Final	20	Paso 11. Conecte El Suministro De Agua (Modelos Con Freezer Únicamente)	54
<b>Refrigerador con Freezer Inferior</b>	21	Paso 12. Conecte la Corriente	54
<b>Guía de Planificación</b>		Paso 13. Inicie la Máquina de Hielos (Modelos con Freezer Únicamente)	54
El Espacio de Instalación	22	Paso 14. Instale el Zócalo	55
Dimensiones y Espacios Libres	22	<b>Refrigerador Lado a Lado</b>	56
Guía de Diseño de la Manija a Medida	22	<b>Guía de Planificación</b>	
Dimensiones del Panel Revestido de 1/2"	23	El Espacio de Instalación	57
Dimensiones del Panel Decorativo de 3/4" (1.9 Cm)	24	Dimensiones y Espacios Libres	57
Instrucciones Básicas de Personalización	24	Instrucciones Básicas de Personalización	58
Ubicación del Refrigerador	24	Guía de Diseño de la Manija a Medida	58
Kits de Accesorios Opcionales	24	Ubicación del Refrigerador	58
Rebajado del Panel de la Puerta de Comidas Frescas 3/4" (1.9 Cm)	25	Paneles Laterales	58
Rebajado del Panel del Cajón del Freezer Elevado de 3/4" (1.9 Cm)	26	Dimensiones del Panel Revestido de 1/2" (1,27 cm)	59
Rebajado del Panel con Rejilla Elevada de 3/4"	27	Dimensiones del Panel Elevado de 3/4" (1,91 cm)	60
Installation :Kit Unificado ZKBFN720NII	28	Rebajado del Panel con Puerta Elevada de 3/4" (1.91 cm)	61
Dimensiones del Kit Unificado ZKBFN720NII	28	Rebajado del Panel con Rejilla Elevada de 3/4" (1.91 cm)	62
Paneles Laterales	28	Ejemplos de Ajuste de Marcos del Dispensador	63
Ristreles Laterales	28	Ristreles Laterales	63
Dimensiones del Panel de Puerta Unificado	28	<b>Instrucciones de Instalación</b>	
<b>Instrucciones de Instalación</b>		Herramientas, Hardware, Materiales, Piso	64
Herramientas, Hardware, Materiales, Piso	29	Conexión a Tierra del Refrigerador	64
Conexión a Tierra de la Unidad	29	Paso 1. Retire el Embalaje	64
Paso 1. Retire el Embalaje	29	Paso 2. Transporte el Refrigerador a su Hogar	65
Paso 2. Instale la Tubería de Agua	30	Paso 3. Instale la Tubería de Agua	65
Paso 2A. Tubería de Agua Instalación con un Sistema de Ósmosis Inversa	30	Paso 4. Instalación con el Sistema de Filtrado de Agua	65
Paso 3. Instale los Paneles Laterales	30	Paso 5. Instale los Paneles Laterales	66
Paso 4. Instale el Marco de la Carcasa	30	Paso 6. Instale el Marco de la Carcasa	66
Paso 5. Procedimiento Anti Volcaduras	31	Paso 7. Procedimiento Anti Volcaduras	66
Paso 6. Nivele el Refrigerador	33	Paso 8. Nivele el Refrigerador	67
Paso 7. Procedimiento Anti-Volcaduras Alternativo	33	Paso 9. Ajuste el Giro de la Puerta	67
Paso 8. Ajuste el Giro de la Puerta	34	Paso 10. Instale el Panel con Rejilla	67
Paso 9. Instale el Panel con Rejilla	34	Paso 11. Instale los Paneles Revestidos	68
Paso 10. Instale los Paneles de Puerta	35	Paso 12. Conecte el Suministro de Agua	69
Paso 11. Realice la Conexión al Suministro de Agua	35	Paso 13. Conecte la Corriente	70
		Paso 14. Encienda la Máquina de Hielo	70
		Paso 15. Instale el Zócalo	71
		Inspeccione la Instalación Final	71



# **Instrucciones para Puerta Francesa Refrigerador con Freezer Inferior**

# Guía de Diseño - Instalación Nivelada de Puerta Francesa Refrigerador con Freezer Inferior

## EL ESPACIO DE INSTALACIÓN



### Ubicaciones de Agua y Electricidad

Los suministros eléctricos y de agua deberán ser ubicados como se muestra.

### La Profundidad del Recorte Deberá Ser de un Mínimo de 26 3/16" (66.52 cm)

La unidad se proyectará hacia adelante, levemente más allá del gabinete adyacente, dependiendo de su instalación.

Deje una brecha de aire mínima de 1/8" (0.32 cm) entre la parte trasera de la carcasa y la pared.

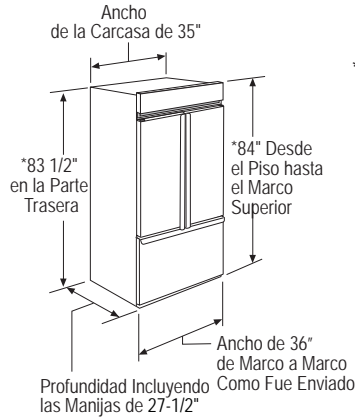
### Profundidad del espacio libre debajo de un soffito:

Cuando se instale debajo de un soffito, este último no podrá exceder la profundidad de instalación de 24" (60.96 cm) mostrada. El marco de la carcasa superior se superpone con la parte inferior del soffito.

### Especificaciones adicionales

- Se requiere un suministro de corriente de 115 voltios, 60Hz., y 15 o 20 amperes. Se recomienda el uso de un circuito individual derivado o un disyuntor correctamente conectado a tierra. Instale un receptáculo eléctrico de 3 patas correctamente conectado a tierra en la pared trasera. El receptáculo eléctrico deberá estar ubicado en la pared trasera como se muestra.
- El suministro de agua puede ingresar a la abertura a través del piso o la pared trasera. Haga circular el kit de SmartConnect™ o una tubería de cobre con un diámetro externo de 1/4" entre la tubería de agua fría y la ubicación de la conexión de agua. La tubería deberá poseer una extensión suficiente como para llegar hasta el frente del refrigerador. Se requiere la instalación de una válvula de cierre fácilmente accesible en la tubería de agua.

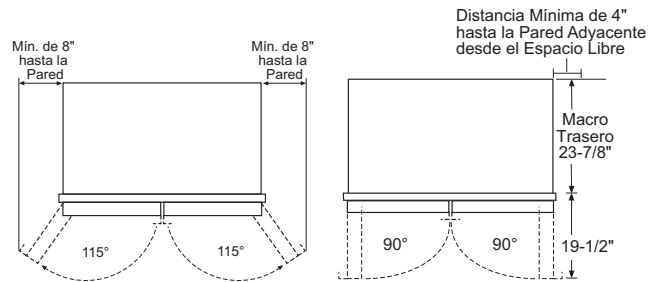
## DIMENSIONES Y ESPACIOS LIBRES



\*Altura del embalaje. El refrigerador puede ser ajustado para caber en un espacio libre de una altura máxima de 85" (215.9 cm). Use las patas niveladoras y las ruedas para un ajuste de altura máxima de 1" (2.54 cm).

### Espacios Libres del Producto

Estos refrigeradores están equipados con un dispositivo de detención de la puerta de 3 posiciones. El giro de la puerta de 115° original de fábrica se podrá ajustar a 90° si el espacio libre hasta los gabinetes adyacentes o las paredes es restringido.



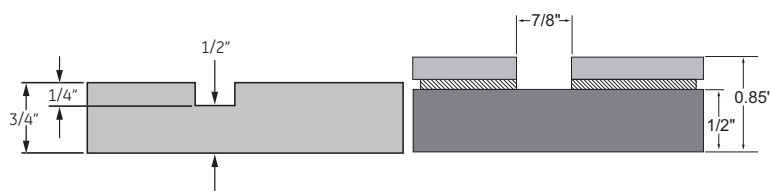
No use la opción de giro de puerta a 130° para una instalación nivelada.

Para un giro de puerta de 90°, deje un espacio libre mínimo de 4" (10.16 cm) hasta una pared. Si se usa la detención de puerta en 90°, se mantendrá el acceso a las bandejas pero su retiro estará restringido.

## GUÍA DE DISEÑO DE LA MANIJA A MEDIDA

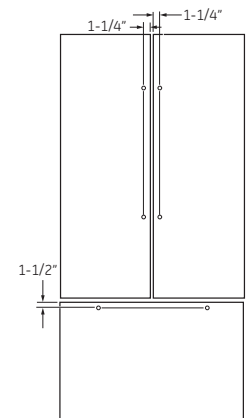
Las manijas a medida deben ser usadas para instalaciones niveladas. Para la instalación de la manija a medida, los agujeros taladrados en la parte trasera de los paneles decorativos deberán asegurar que el grosor del material de 1/2" (1.27 cm) permanezca para el soporte de la manija.

**NOTA:** El agujero taladrado no deberá superar 1" (2.54 cm) de diámetro.



La distancia mínima desde el extremo lateral de la manija hasta el centro de la manija de Puertas de Comidas Frescas deberá ser de 1 1/4" (1.18 cm) en cada puerta, como se muestra.

La distancia mínima sobre la Puerta del Freezer desde extremo superior hasta el centro de la manija del cajón del freezer deberá ser de 1 1/2" (3.81 cm), como se muestra.



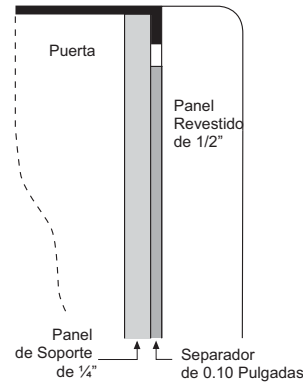
# Guía de Diseño - Instalación Nivelada de Puerta Francesa Refrigerador con Freezer Inferior

## DIMENSIONES DE LOS PANELES REVESTIDOS DE 1/2" (1.27 cm)

Para un aspecto más personalizado, los paneles revestidos podrán ser instalados en modelos con marco. El panel revestido deberá ser asegurado sobre un panel de soporte de un grosor de 1/4" (0.64 cm), que se deslice sobre el recorte. Se deberá colocar un panel separador de un grosor de 0.10" (0.25 cm) entre el panel revestido y el panel de soporte.

### Ensamble los paneles con pegamento y tornillos:

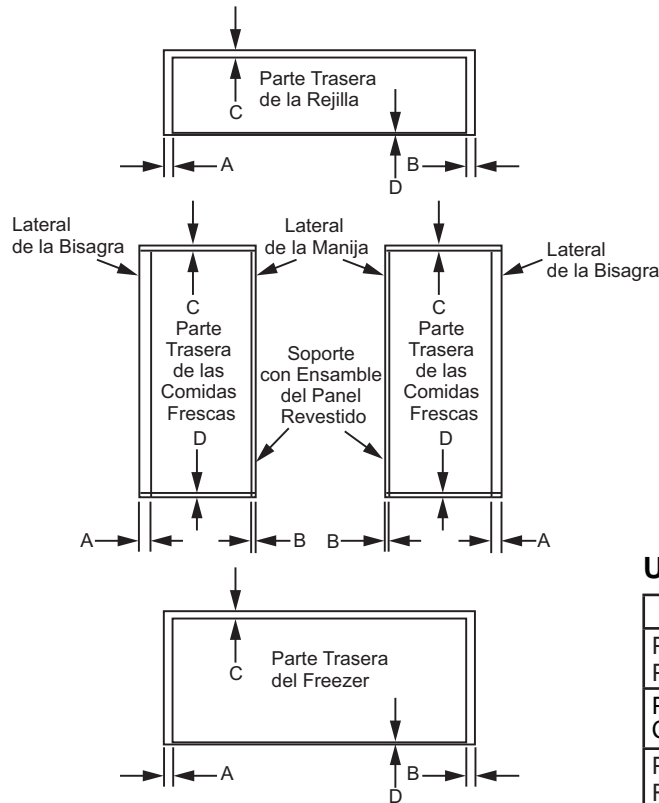
- Centre el panel separador sobre el panel de soporte, de izquierda a derecha y de arriba hacia abajo. Asegure los paneles con pegamento.
- Consulte el siguiente cuadro para ubicar el panel de soporte en el panel revestido. Asegure el panel revestido al panel de soporte con pegamento y tornillos. Los tornillos deberán ser encastrados en el panel de soporte.



$$.250" + .10" + .50" = .850" \text{ de Grosor Total del Panel} \\ (0.635 \text{ cm} + 0.254 \text{ cm} + 1.27 \text{ cm} = 2.159)$$

**NOTA IMPORTANTE:** Peso máximo total para los paneles ensamblados:

- Panel de la puerta de comidas frescas – 75 libras (34.02 cm)
- Panel de Rejilla – 18 libras (8.16 cm)



### Ubicaciones de los Paneles

	A	B	C	D
Panel de la Puerta	2-1/16" (5.24 cm)	2-1/16" (5.24 cm)	5/16" (0.79 cm)	3/16" (0.47 cm)
Panel del Cajón	2-1/16" (5.24 cm)	2-1/16" (5.24 cm)	5/16" (0.79 cm)	3/16" (0.47 cm)
Panel de Rejilla	2-1/16" (5.24 cm)	2-1/16" (5.24 cm)	1-11/16" (4.28 cm)	3/16" (0.47 cm)

### Dimensiones del Panel

	Comida Fresca	Freezer	Rejilla
Panel de Soporte de 1/4" (0.63 cm)	46-1/16" x 33-7/8" (116.99 cm x 86.04 cm)	21-7/8" x 33-7/8" (55.56 cm x 86.04 cm)	8-7/8" x 33-7/8" (22.54 cm x 86.04 cm)
Panel Separador de 0.10" (0.25 cm)	44-11/16" x 32-1/2" (113.51 cm x 82.55 cm)	20-1/2" x 32-1/2" (52.07 cm x 82.55 cm)	7-5/8" x 32-1/2" (16.37 cm x 82.55 cm)
Panel Revestido de 1/2" (1.27 cm)	49-9/16" x 38" (125.89 cm x 96.52 cm)	22-7/16" x 38" (56.99 cm x 96.52 cm)	10-11/16" x 38" (27.15 cm x 96.52 cm)

# Guía de Diseño - Instalación Nivelada de Puerta Francesa Refrigerador con Freezer Inferior

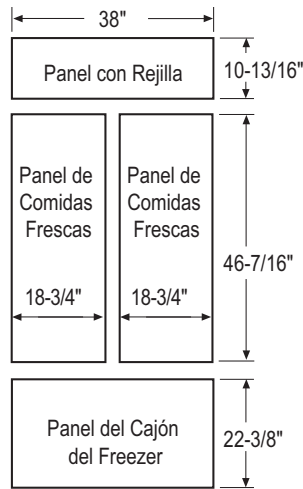
## DIMENSIONES DEL PANEL DECORATIVO DE 3/4" (1.9 cm)

Para una apariencia más a medida, los paneles revestidos podrán ser instalados para dar un aspecto nivelado con los gabinetes que se encuentran alrededor. El panel revestido deberá poseer un grosor de 3/4" (1.9 cm). El panel se adhiere a los soportes incluidos para brindar el montaje a la puerta del electrodoméstico.

**NOTA:** Recomendamos que los paneles decorativos posean esquinas internas y extremos redondeados o biselados por el fabricante de gabinetes, a fin de evitar extremos puntiagudos en los paneles. Los extremos a ser tratados deberán incluir el extremo superior e inferior y los extremos laterales de las bisagras.

**NOTA IMPORTANTE:** Peso máximo total para los paneles ensamblados:

- Panel de la Puerta – 30 libras (14 kg)
- Panel del Cajón del Freezer – 28 lbs.(13 kg)
- Panel de Rejilla – 11 libras (5 kg)



### ⚠ ADVERTENCIA



**Riesgo de Lastimadura**

#### con el Marco de la Puerta

Una instalación inadecuada podrá conducir a riesgos de pellizcos de dedos entre el marco lateral de la puerta y los gabinetes al utilizar la puerta, especialmente con los niños. A fin de minimizar este riesgo, usted deberá seguir las instrucciones de instalación para dimensiones de gabinetes, ensambles de marcos y ángulos de detención de puertas.

## INSTRUCCIONES BÁSICAS DE PERSONALIZACIÓN:

### Paneles con Marco o Revestidos, Manijas a Medida y Kits de Accesorios

Estos refrigeradores fueron diseñados para la personalización con paneles decorativos. Se requiere una puerta a medida y paneles con rejilla para instalación en el espacio.

#### Paneles Laterales

Los paneles laterales deberán ser usados siempre que los laterales del refrigerador queden expuestos.

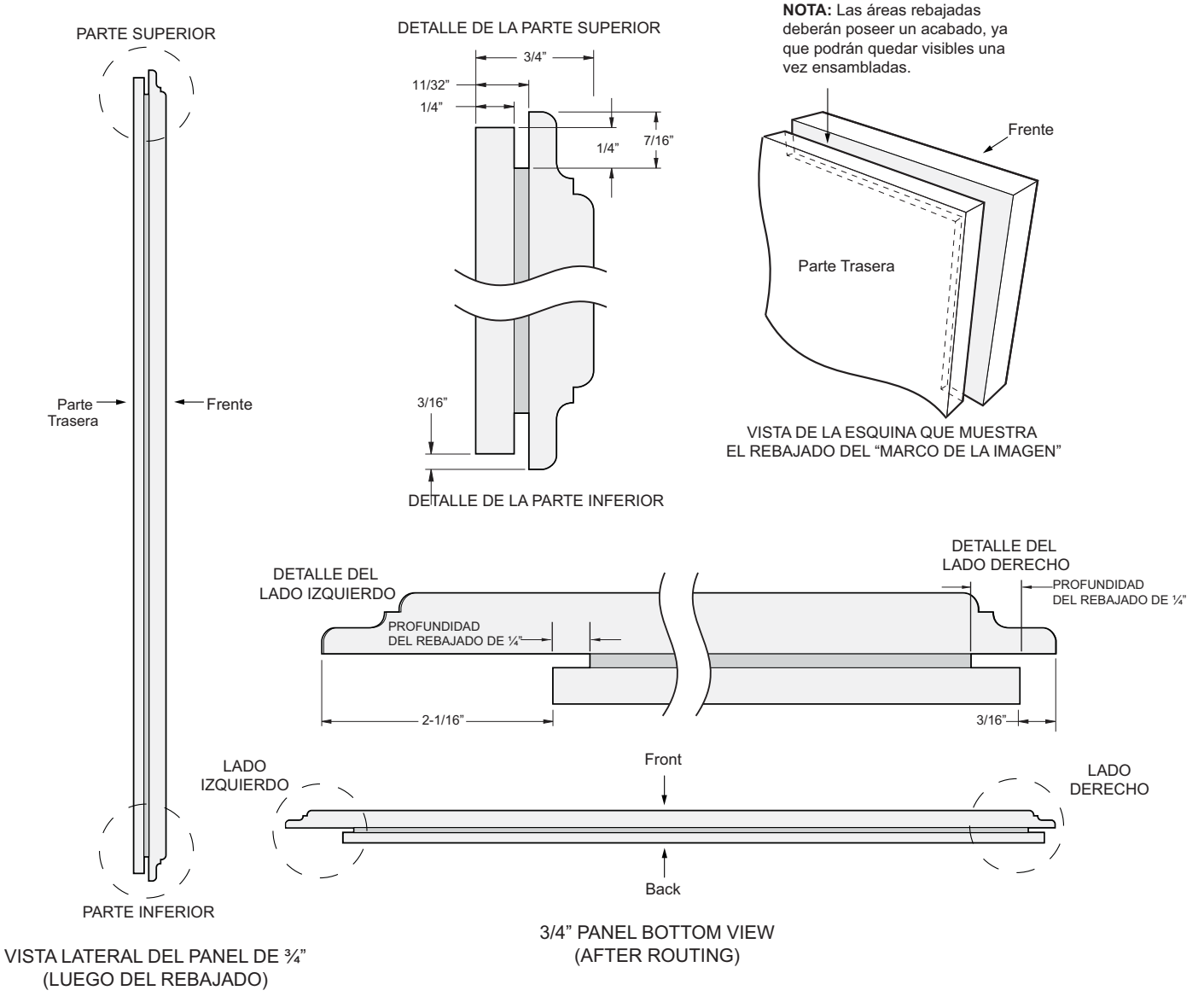
## UBICACIÓN DEL REFRIGERADOR

- No instale el refrigerador en lugares donde la temperatura sea inferior a los 55°F (13°C). Éste no funcionará con la frecuencia suficiente como para mantener las temperaturas apropiadas.
- No instale el refrigerador en lugares donde la temperatura sea superior a los 100°F (37°C). Éste no funcionará correctamente.
- No instale el refrigerador en una ubicación expuesta al agua (lluvia, etc.) o en contacto directo con la luz solar.
- Instale el mismo en un piso lo suficientemente fuerte como para soportarlo completamente cargado.

# Guía de Diseño - Instalación Nivelada de Puerta Francesa Refrigerador con Freezer Inferior

## REBAJADO DEL PANEL DE LA PUERTA DE COMIDAS FRESCAS 3/4" (1.9 cm)

Cuando se trate de un panel de puerta elevada de 3/4" (1.9 cm), se requiere un rebajado. La profundidad del rebajado es de 1/4" (0.63 cm) en todo el recorrido de la parte trasera del panel. Se requieren reducciones del ancho del panel de acuerdo con los diagramas que figuran a continuación. Esto creará el rebajado del "marco de la imagen" que se deslizará sobre el marco de la puerta adherida.

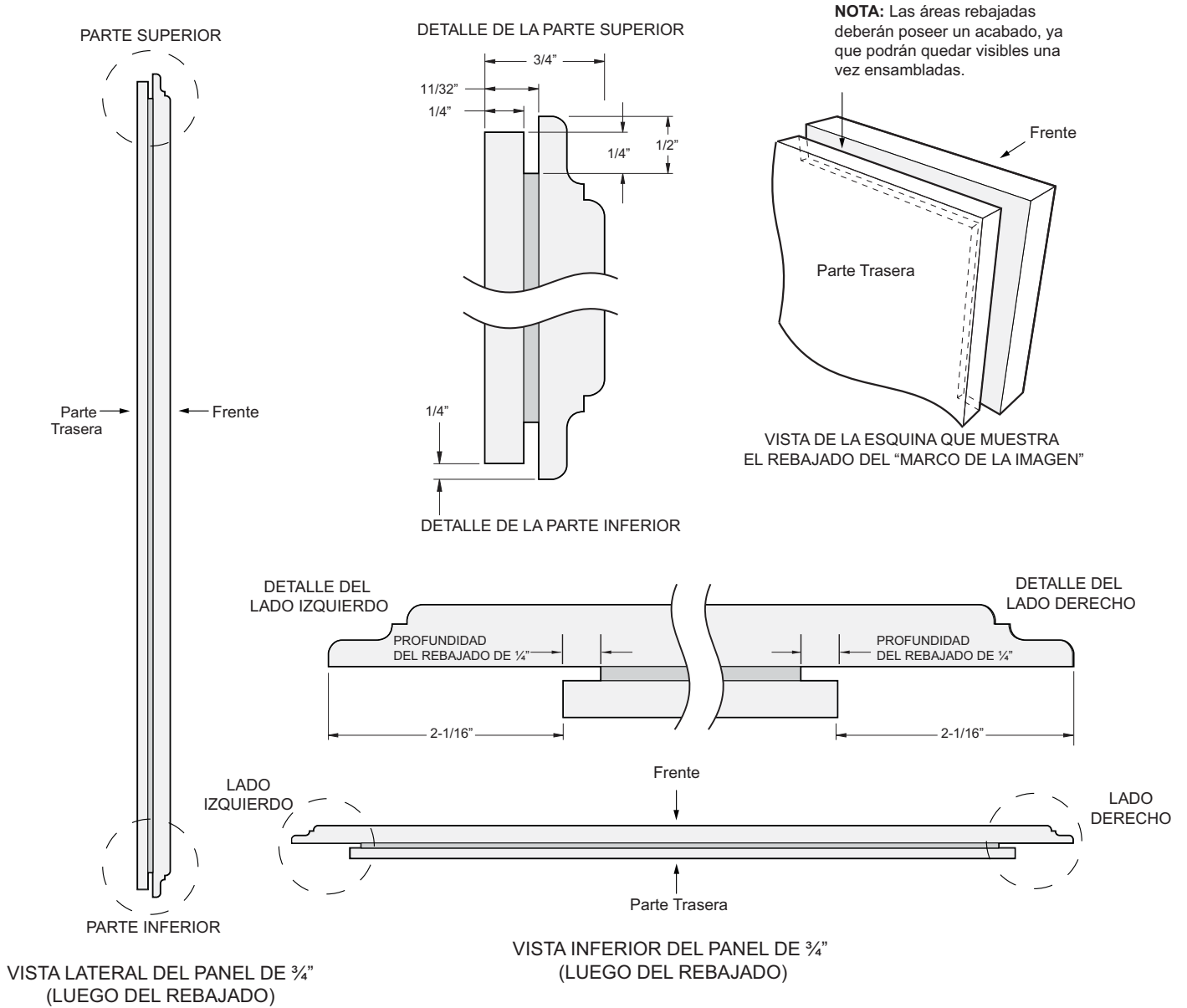


**NOTA:** Para los paneles contruidos con rieles y montantes (5 paneles), los rieles deberán poseer un ancho mínimo de 3" (7.62 cm) y los montantes 4" (10.16 cm).

# Guía de Diseño - Instalación Nivelada de Puerta Francesa Refrigerador con Freezer Inferior

## REBAJADO DEL PANEL DEL CAJÓN DEL FREEZER ELEVADO DE 3/4" (1.9 cm)

Cuando se trate de un panel de puerta elevada de 3/4" (1,9 cm), se requiere un rebajado. La profundidad del rebajado es de 1/4" (0.63 cm) en todo el recorrido de la parte trasera del panel. Se requieren reducciones del ancho del panel de acuerdo con los diagramas que figuran a continuación. Esto creará el rebajado del "marco de la imagen" que se deslizará sobre el marco de la puerta adherida.

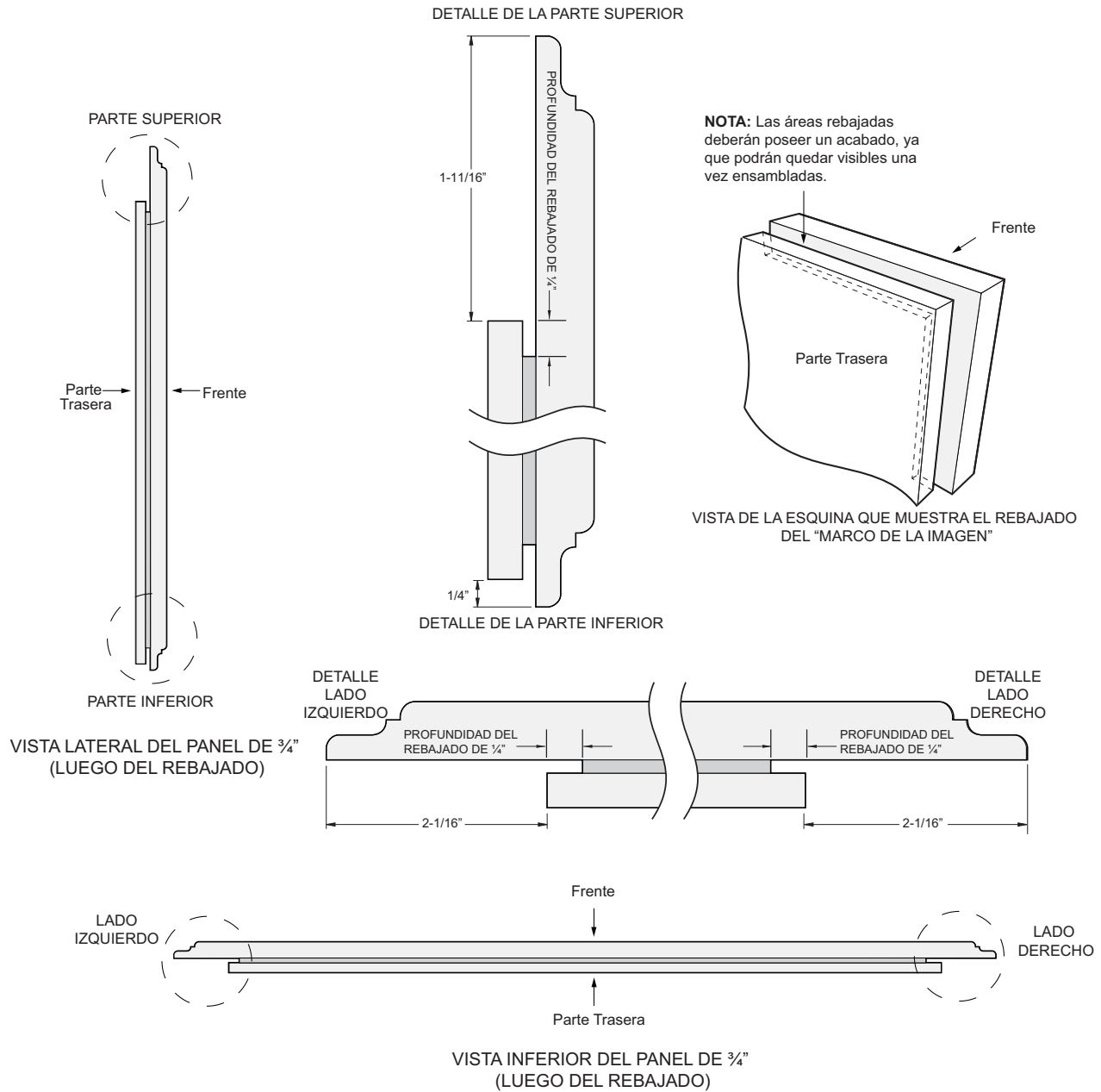


**NOTA:** Para los paneles construidos con rieles y montantes (5 paneles), los rieles deberán poseer un ancho mínimo de 3" (7.62 cm) y los montantes 4" (10.16 cm).

# Guía de Diseño - Instalación Nivelada de Puerta Francesa Refrigerador con Freezer Inferior

## REBAJADO DEL PANEL DE REJILLA ELEVADO DE 3/4" (1.9 Cm)

Para un panel de rejilla elevada de 3/4" (1.9 cm), se requiere un rebajado. La profundidad del rebajado es de 1/4" (0.63 cm) en todo el recorrido de la parte trasera del panel. Se requieren reducciones del ancho del panel de acuerdo con los diagramas que figuran a continuación. Esto creará el recorrido del "marco de la imagen" que se deslizará en el borde de la rejilla adherida.



**NOTA:** Para los paneles construidos con rieles y montantes (5 paneles), los rieles deberán poseer un ancho mínimo de 3" (7.62 cm) y los montantes 4" (10.16 cm).

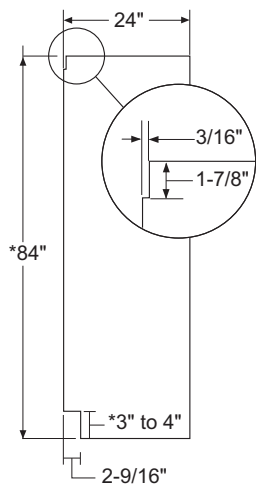


# Guía de Diseño -Instalación Nivelada de Puerta Francesa Refrigerador con Freezer Inferior

## PANELES LATERALES

Los paneles laterales deberán ser usados siempre que los laterales del refrigerador queden expuestos. Los paneles laterales de ¼" (0.63 cm) se deslizarán por el marco de la carcasa lateral. Asegure los paneles al refrigerador con cinta de sujeción de vecro. Ordene los paneles laterales al fabricante de gabinetes.

- Haga un agujero en la esquina frontal derecha como se muestra, a fin de dejar espacio para las teclas de la esquina frente al marco lateral.

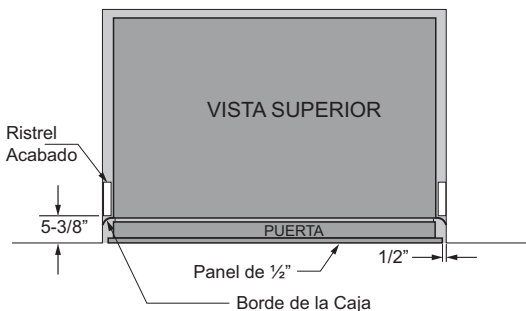
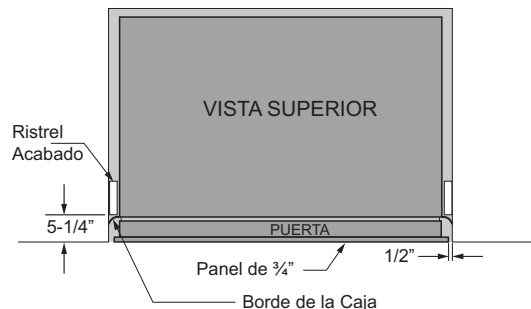


\* Dependiendo de la altura de la instalación.

## RISTRELES LATERALES

Se requieren ristreles de madera para su instalación vertical a ambos lados de la abertura del gabinete, a fin de brindar un tope de profundidad al refrigerador cuando éste sea instalado en la abertura.

El ristrele deberá ser instalado de acuerdo con los diagramas que figuran a continuación, y en base al tipo de panel que será usado.



# Instrucciones de instalación - Instalación Nivelada de Puerta Francesa Refrigerador con Freezer Inferior

## HERRAMIENTAS REQUERIDAS

- Tijeras cortachapa para cortar bandas
- Escalera de dos hojas
- Balde
- Nivel
- Carro Manual para Electrodomésticos
- Cortatubos
- Llave de tuercas de 7/16"
- Destornillador Phillips nº2
- Taladro y brocas apropiadas
- Enchufe de 5/16", 7/16"
- Gafas de seguridad
- Llave de tuercas de 1 1/4"
- Pinzas
- Trinquete de 1/4"

## MATERIALES SUMINISTRADOS CON LA UNIDAD

- Tapón del bypass del filtro de agua
- Soportes anti volcaduras
- Tuerca y abrazadera de refuerzo de 1/4"

## MATERIALES REQUERIDOS

- Soporte anti volcaduras de 2 x 4 de 35" de longitud
- Tubería de cobre para suministro de agua de 1/4" o kits de Tuberías para Refrigerador SmartConnect™.
- Válvula de cierre de agua
- Paneles a medida para la puerta de comidas frescas, el cajón del freezer y el panel de rejilla.
- Tornillos para asegurar el refrigerador a los gabinetes.
- Cintas de ajuste de velcro para paneles laterales de 1/4" (0.63 cm)
- Se requiere el Kit ZKFN para todas las instalaciones niveladas

## PISO

Para una instalación correcta, el refrigerador se deberá ubicar en una superficie nivelada de material duro que posea la misma altura en el resto del piso. Esta superficie deberá ser lo suficientemente fuerte como para resistir el peso de un refrigerador totalmente cargado o aproximadamente 1200 libras (544.31 kg).

**NOTA:** Proteja el acabado del piso. Corte una sección amplia de cartón y coloque la misma debajo del refrigerador donde se encuentra trabajando.

## CONEXIÓN A TIERRA DEL REFRIGERADOR

### ⚠ ADVERTENCIA



Riesgo de Descarga

### Eléctrica

Si no se siguen estas instrucciones, se podrá producir la muerte, incendios o descargas eléctricas.

El cable de corriente de este electrodoméstico cuenta con un enchufe de 3 cables (conexión a tierra) que se conecta a un tomacorriente de pared estándar de 3 cables (conexión a tierra) para minimizar el riesgo de posibles descargas eléctricas por parte del mismo.

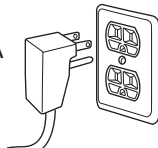
Contrate a un electricista calificado para que controle el tomacorriente y el circuito eléctrico, a fin de asegurar que el enchufe esté correctamente conectado a tierra.

En caso de contar con un tomacorriente de pared de 2 cables, es su responsabilidad y obligación reemplazarlo por un tomacorriente de pared de 3 cables correctamente conectado a tierra.

**NUNCA, BAJO NINGUNA CIRCUNSTANCIA, CORTE NI ELIMINE EL TERCER CABLE (TIERRA) DEL CABLE DE CORRIENTE.**

**NO USE UN ENCHUFE ADAPTADOR PARA CONECTAR EL REFRIGERADOR A UN TOMACORRIENTE DE 2 PATAS.**

**NO USE UN PROLONGADOR CON ESTE ELECTRODOMÉSTICO.**



## PASO 1 RETIRE EL EMBALAJE

### ⚠ ADVERTENCIA



Riesgo de Caídas

El refrigerador es mucho más pesado en su parte superior que en su parte inferior – tenga cuidado al moverlo. Al usar un carro manual, sosténgalo de costado únicamente. **NO INTENTE HACER RODAR LA UNIDAD FUERA DEL ANTIDESLIZANTE.**

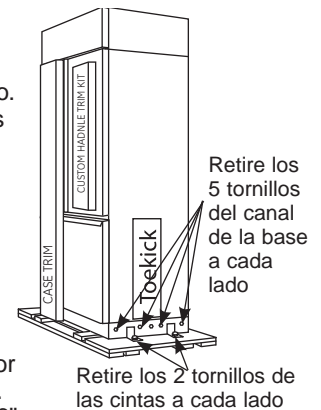
- De forma cuidadosa, corte las bandas en la parte superior e inferior, y retire el cartón externo.
- Deslice hacia afuera los postes de las esquinas traseras (2).
- Deslice el cartón fuera de la parte superior del gabinete.

**NOTA: ¡NO ES NECESARIO APOYAR EL GABINETE PARA RETIRAR EL ANTIDESLIZANTE!**

- La unidad se encuentra asegurada al antideslizante por 4 cintas de amarre ranuradas. Retire los seis tornillos de 7/16" de los canales de la base en los amarres.
- Retire los seis tornillos de 7/16" que aseguran las cintas al antideslizante.

**NOTA: NO INTENTE HACER RODAR LA UNIDAD FUERA DEL ANTIDESLIZANTE.**

- Los bloques de soporte de la parte inferior de la carcasa de refrigeración deberán ser retirados antes de que el refrigerador sea retirado del antideslizante, ya que de otro modo se podrán producir daños. De forma cuidadosa, incline el refrigerador y deslice los bloques hacia afuera desde abajo.
- Levante el refrigerador fuera del antideslizante con un carro para electrodomésticos.

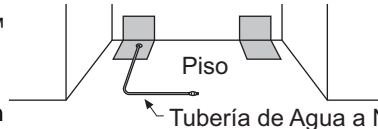


# Instrucciones de instalación - Instalación Nivelada de Puerta Francesa Refrigerador con Freezer Inferior

## PASO 2 INSTALE EL SUMINISTRO DE AGUA

**⚠ ADVERTENCIA** Realice la conexión a un suministro de agua potable únicamente.

- Se requiere un suministro de agua fría para el funcionamiento de la máquina de hielo automática. La presión del agua deberá ser de entre 40 y 120 p.s.i. (275-827 kPa).
- Haga circular una tubería de cobre con un diámetro externo de 1/4" o una tubería de plástico SmartConnect™ entre la tubería de agua fría del hogar y la ubicación de la conexión de agua.
- La tubería deberá ser de una extensión suficiente como para llegar hasta el frente del refrigerador. Deje una cantidad de tubería suficiente como para hacer una inclinación que llegue hasta la conexión de la tubería de agua.



**NOTA:** La única tubería de plástico aprobada por Monogram es suministrada en los Kits de Tuberías para Refrigerador de SmartConnect™. No use ninguna otra tubería de suministro de agua plástica, ya que la tubería se encuentra bajo presión en todo momento. Otros tipos de plásticos podrán sufrir fisuras o roturas con el paso del tiempo y ocasionar problemas con el agua en su hogar.

Los Kits de Tuberías para Refrigerador de SmartConnect™ están disponibles en las siguientes longitudes:

- 2' (.6 m) - WX08X10002
- 8' (2.4 m) - WX08X10006
- 15' (4.6 m) - WX08X1 0015
- 25' (7.6 m) - WX08X10025

### Cierre el suministro principal de agua.

Abra el grifo más cercano durante un tiempo suficiente como para despejar la tubería de agua.

- Instale una válvula de cierre entre la válvula de agua de la máquina de hielo y la tubería de agua fría en un punto bajo o en un gabinete. La válvula de cierre deberá ser ubicada donde sea de fácil acceso.
- Abra el suministro de agua principal y deje correr la suciedad. Deje correr aproximadamente un cuarto de galón de agua a través de la tubería a un balde. Cierre el suministro de agua desde la válvula de cierre.

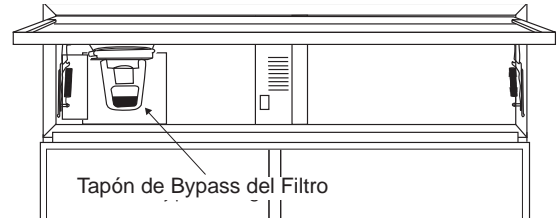
**NOTA:** Muchos kits de suministro de agua incluyen válvulas de cierre tipo montura, pero no se recomiendan para esta aplicación.

**NOTA:** Se deberá cumplir con los Códigos de Plomería del Commonwealth de Massachusetts 248CMR. Las válvulas tipo montura son ilegales y su uso está prohibido en Massachusetts. Consulte a un plomero matriculado.

## PASO 2A TUBERÍA DE AGUA INSTALACIÓN CON UN SISTEMA DE ÓSMOSIS INVERSA

Si no usará un Sistema de Ósmosis Inversa, saltee este paso.

Si el suministro de agua al refrigerador proviene de un Sistema de Agua por Ósmosis Inversa, use el tapón del bypass del filtro del refrigerador. El uso del cartucho de filtrado de agua del refrigerador junto con un filtro de agua por ósmosis inversa podrán producir cubos de hielo huecos.



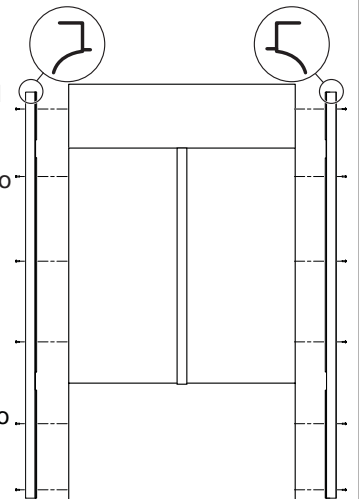
## PASO 3 INSTALE LOS PANELES LATERALES

Saltee este paso cuando no use los paneles laterales. Si usará paneles laterales de 1/4" (0.63), deberán ser insertados en el marco de la carcasa. Ajuste los paneles al refrigerador con cintas de sujeción de velcro, antes de establecer el refrigerador en su posición.

## PASO 4 INSTALE EL MARCO DE LA CARCASA

La unidad es entregada con el marco de la carcasa adherido para la instalación estándar. Retire el marco de la carcasa instalado de fábrica. Instale el nuevo marco de la carcasa, usando las piezas del marco de la carcasa del lado derecho y del lado izquierdo y sus respectivos tornillos.

Adhiera el marco de la carcasa a cada lado de la carcasa, como se muestra en la ilustración, colocando sus respectivos tornillos en los agujeros provistos a cada lado de la carcasa. Las aberturas en el marco de la carcasa se deberán alinear con las bisagras inferiores de la puerta de comidas frescas.



# Instrucciones de instalación - Instalación Nivelada de Puerta Francesa Refrigerador con Freezer Inferior

## PASO 5 PROCEDIMIENTO ANTI-VOLCADURAS

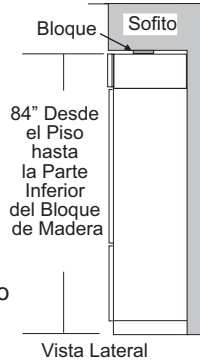
### ⚠ ADVERTENCIA



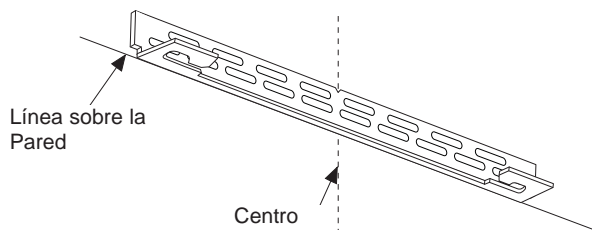
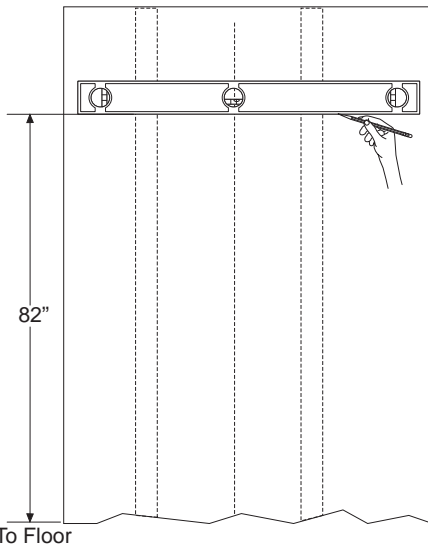
#### Riesgo de Caídas

Estos refrigeradores son inestables, especialmente cuando una puerta se encuentre abierta, y deberán estar asegurados a fin de evitar caídas hacia adelante que podrían resultar en la muerte o en lesiones graves. Lea y siga las instrucciones de instalación en su totalidad para asegurar el refrigerador con el sistema anti volcaduras.

- Corte un bloque de 1" (2.54 cm) x 4" (10.16 cm), 35" (88.9 cm) de longitud.
- Mida y haga una marca debajo del sofito, 5 1/4" (13.33 cm) desde el extremo frontal del gabinete.
- Asegure el bloque de madera debajo del sofito. Desde la parte inferior del bloque hasta el piso acabado deberá medir 84" (213.36 cm). Vea la ilustración.
- El kit suministrado con la unidad cuenta con 2 tornillos tirafondo y tornillos con resortes. El soporte de pared será adherido a la pared en 4 posiciones.
- Mida la abertura donde la unidad será instalada. Marque el centro con una línea vertical.

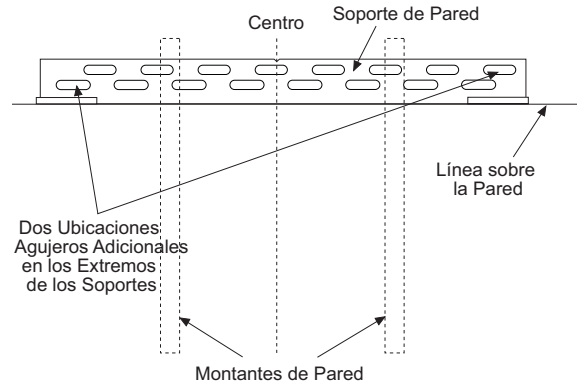


- Mida 82" (208.28 cm) desde el piso. Marque este punto sobre la pared.
- Con un nivel, dibuje una línea horizontal sobre la pared a esta altura.
- Ubique por lo menos 2 montajes en la pared trasera. Marque estos puntos sobre la línea horizontal.
- Coloque la parte inferior del soporte de pared con las lengüetas en la línea horizontal. Alinee la abertura central sobre el soporte con la línea central sobre la pared.



- El soporte de pared anti volcaduras cuenta con una serie de agujeros. Seleccione 2 agujeros que coincidan con los montajes ubicados. Asegúrese de que los agujeros seleccionados se encuentren en el centro de los montajes. Marque la pared en estos puntos.

- Marque un agujero adicional en cada extremo del soporte. Si uno de los montajes se encuentra más cerca del extremo del soporte, marque un agujero adicional hacia el centro del soporte.

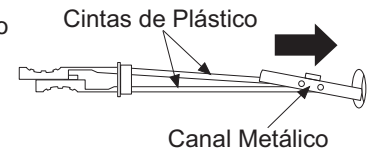


- Realice agujeros de 1/2" (1.27 cm) en el tablero de pared, en las ubicaciones marcadas para el montaje de los resortes (no las marcas de los montajes).
- Realice agujeros de 3/16" (0.47 cm) en los montajes de madera donde se realizaron las marcas. Si se trata de una construcción de montajes de acero, realice agujeros de 1/2" en los montajes donde se realizaron las marcas. Se deberán usar 2 resortes con los montajes metálicos.

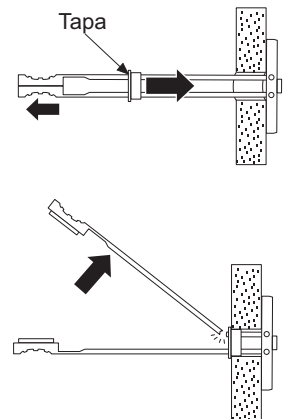
#### Instale los Resortes de Pared:

Los resortes de pared y los tornillos pueden ser ordenados como el Kit de Servicio n° WR49X10193. Los tornillos con resortes de pared se instalan sobre el panel de yeso y los montajes metálicos para lograr estabilidad. Instale los tornillos con resortes de pared del siguiente modo:

- Realice agujeros de 1/2" (1.27 cm) sobre las marcas de la pared realizadas en los agujeros sobre los extremos del soporte de pared.
- Sostenga el canal metálico de forma plana contra las cintas de plástico y deslice el canal a través del agujero.



- De forma suave, empuje hacia atrás sobre los extremos de las cintas de plástico para hacer que el canal descansa de forma nivelada detrás de la pared.
- Sostenga los extremos de las tiras con una mano y deslice la tapa de plástico a lo largo de las cintas, hasta que el reborde de la tapa quede nivelado con la pared.
- Coloque el pulgar entre las cintas de plástico e incline las mismas hacia arriba y abajo para desenganchar las mismas de la pared.

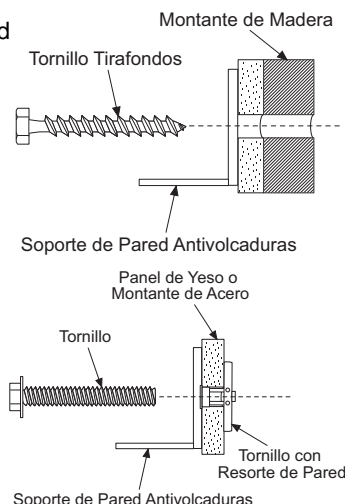


# Instrucciones de instalación - Instalación Nivelada de Puerta Francesa Refrigerador con Freezer Inferior

## PASO 5 PROCEDIMIENTO ANTI-VOLCADURAS (Cont.)

### Instale los Tornillos y Pernos:

- Solicite a alguien que sostenga el soporte de pared centrado en su posición con cada uno de los agujeros alineados con la abertura correcta en el soporte y realice la nivelación con la línea horizontal.
- Inserte los tornillos tirafondo a través del soporte y en el montante. Ajuste con una llave.
- Inserte los tornillos en el tornillo con resorte de forma manual hasta que quede ajustado. Ajuste con una llave.



### CONECTE EL CABLE DE CORRIENTE:

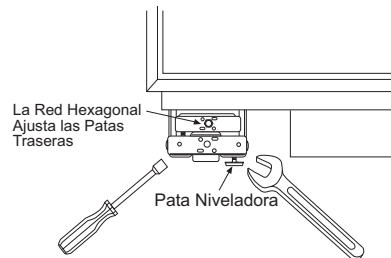
- Antes de empujar el refrigerador hasta la abertura, enchufe el cable de corriente en el receptáculo. Abra el panel con la rejilla y alcance la abertura en la parte trasera para tomar el cable de corriente. Empuje el cable de corriente sobre la abertura a medida que empuja el refrigerador hacia atrás.
- De forma suave, empuje el refrigerador sobre la abertura con las manos contra las esquinas frontales.

**IMPORTANTE:** Cuando el refrigerador sea instalado debajo de un sofíto o si no se cuenta con suficiente altura para este método de seguridad, no se podrán usar soportes. Proceda al paso 6 para nivelar el refrigerador y luego al paso 8 para asegurar el refrigerador a los gabinetes.

## PASO 6 NIVELE EL REFRIGERADOR

Todos los modelos cuentan con 4 puntos de nivelación. La parte frontal está apoyada sobre patas niveladoras; la parte trasera está apoyada sobre ruedas ajustables. Es posible acceder a ambas desde la parte frontal del refrigerador.

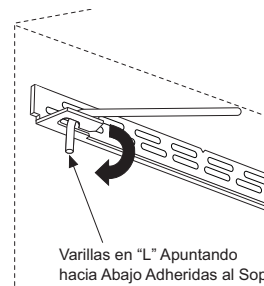
- A fin de nivelar la parte trasera del refrigerador, gire la tuerca hexagonal de 7/16" que se encuentra ubicada sobre las ruedas frontales. Gire en dirección horaria para elevar el refrigerador, y en dirección antihoraria para bajar el mismo.
- Para nivelar la parte frontal, use una llave de boca de 1 1/4" (3.175 cm).
- Ajuste la altura del refrigerador para que coincida con la abertura del espacio libre de la instalación de 83 1/2" (212.09 cm) a 84 1/2" (214.63 cm). El refrigerador deberá estar nivelado y correctamente instalado entre los muebles de cocina.



Las ruedas niveladoras traseras y las patas niveladoras frontales cuentan con un límite de ajuste de altura máxima de 1". Si en la instalación se requiere una altura superior a 84 1/2" (214.63 cm), el instalador deberá elevar el refrigerador sobre una lámina de contrachapado o correderas. También se podrá agregar un marco para gabinetes a través de la parte superior de la abertura, a fin de acortar esta última. Si intenta elevar el refrigerador más de 1" (2.54 cm), dañará las patas niveladoras frontales y las ruedas niveladoras traseras.

## PASO 7 ASEGURE LA UNIDAD A LA PARED

- La varilla en "L" se podrá encontrar en la esquina superior izquierda de la unidad, en el compartimiento de acceso. Observe el compartimiento de acceso para asegurarse de que la varilla esté alineada con el soporte anti volcaduras.
- Hay 2 arandelas y un pasador de chaveta por varilla. Retire las arandelas y el pasador de chaveta del extremo de la varilla.
- Gire y mueva la varilla en "L" en la ranura de la lengüeta del soporte anti volcaduras. Una vez que se encuentre en la ranura, gire la varilla en "L" de modo que la parte del gancho apunte hacia abajo. Los agujeros del extremo frontal de la varilla se deberán encontrar en posición vertical.
- Empuje hacia afuera el extremo de la varilla para constatar que esté bien asegurada al soporte.
- Ubique el agujero de la varilla que se encuentre más cerca de la unidad. Se deberá colocar un pasador de chaveta a través de este agujero para asegurar la varilla. Si este agujero parece estar demasiado alejado para un ajuste perfecto contra la unidad, agregue las arandelas una por vez hasta que el perno calce de forma ajustada en el agujero.





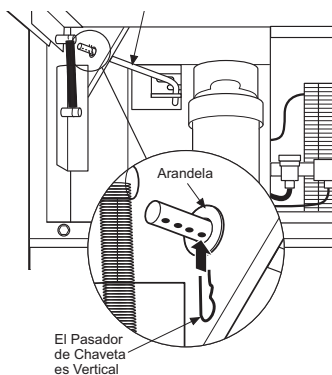
# Instrucciones de instalación - Instalación Nivelada de Puerta Francesa Refrigerador con Freezer Inferior

## PASO 7 ASEGURE LA UNIDAD A LA PARED (cond.)

- Alinee la sección recta del perno con el agujero del lado inferior de la varilla. Empuje el perno hacia arriba hasta que calce en su posición. Se podrán usar pinzas.

**NOTA:** El pasador de chaveta deberá estar vertical cuando este paso sea completado, a fin de asegurar que la varilla en "L" esté adherida al soporte.

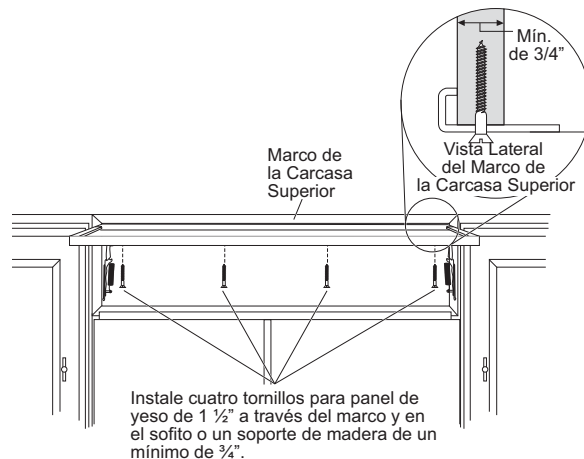
- Controle que la varilla se encuentre ajustada empujando hacia adelante. Si la varilla se mueve, retire el pasador de chaveta y coloque otra arandela en la varilla. Vuelva a insertar el perno.



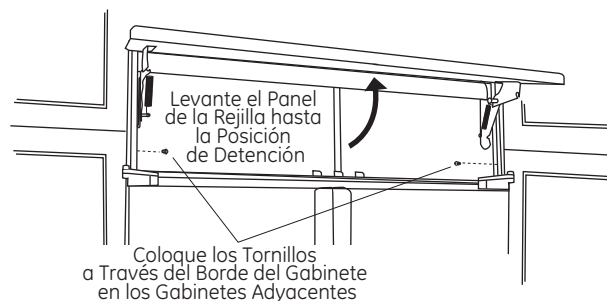
## PASO 8 PROCEDIMIENTO ANTI-VOLCADURAS ALTERNATIVO

El refrigerador deberá quedar asegurado a fin de evitar volcaduras.

Si no es posible usar el soporte anti volcaduras, se podrá usar este procedimiento alternativo para asegurar que el refrigerador no sufra una caída.



- Eleve el panel de rejilla para acceder al marco de la carcasa.
- Use una broca de 3/16" para perforar cuatro agujeros en el espacio libre espaciado de forma pareja a través del marco de la carcasa metálica superior.
- Use una broca de 1/16" para perforar agujeros piloto a través de los agujeros metálicos en el espacio libre y en el soffito de madera. Los agujeros deberán estar centrados en el soffito o en un soporte de madera de un mínimo de 3/4". El soporte que abarca el cercado deberá estar ajustado de forma segura a los gabinetes sobre ambos lados.
- Instale cuatro tornillos para panel de yeso de 1 1/2" (3.81 cm) en los agujeros piloto.
- Si no se cuenta con un soffito sobre la unidad, perforo tornillos en los gabinetes adyacentes a través del marco de la carcasa lateral.

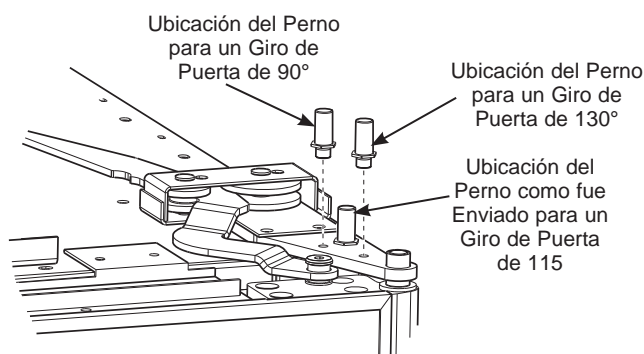
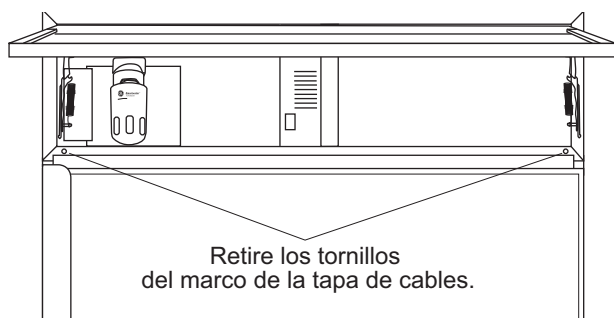


# Instrucciones de instalación - Instalación Nivelada de Puerta Francesa Refrigerador con Freezer Inferior

## PASO 9 AJUSTE EL GIRO DE LA PUERTA

**NOTA:** El refrigerador cuenta con una detención de la puerta de 3 posiciones. Cuando el espacio no permita que la puerta gire completamente hasta los 115°, podrá cambiar el giro de puerta a una apertura de 90°. Un giro de puerta de 130° está disponible para la instalación estándar únicamente. Si se usa para una instalación nivelada, se dañarán los paneles de madera. **Si la apertura de la puerta es satisfactoria para su situación durante la instalación, saltee este paso.**

- Levante el panel de rejilla para acceder al marco de la tapa de cables.
- Retire los tornillos que se encuentran a ambos lados del marco de la tapa de cables y gire hacia afuera.



- Use una pinza para desenroscar la detención de la puerta y vuelva a instalar la misma en una posición de 90° o 130°.

**AVERTISSEMENT**



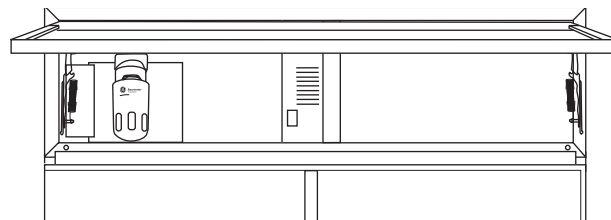
tapa de cables.

**Risque de pincement**

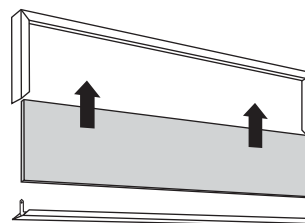
**de doigts**

Une installation incorrecte peut poser un risque de coincement de doigts entre la garniture de porte latérale et les armoires en actionnant la porte, en particulier pour les enfants. Pour réduire ce risque, vous devez suivre les instructions d'installation relatives aux dimensions d'armoire, au montage des garnitures et à l'angle de l'arrêt de porte.

## PASO 10 INSTALE EL PANEL DE REJILLA



- Eleve el panel de acceso hasta la posición de detención.
- Afloje los tornillos sobre el borde lateral detrás del marco. Retire el marco inferior.
- Deslice el panel sobre el panel de soporte metálico y en el marco.



- De ser necesario, golpee con un bloque de madera hasta que el panel se deslice por debajo de la pieza del marco superior.
- Vuelva a ensamblar el marco inferior. Ajuste los tornillos.
- Ajuste el resorte de la bisagra para acomodar el peso del panel, de ser necesario.



# Instrucciones de instalación - Instalación Nivelada de Puerta Francesa Refrigerador con Freezer Inferior

## PASO 11 INSTALE LOS PANELES ENSAMBLADOS

- Instale las manijas a medida de acuerdo con las instrucciones del fabricante.

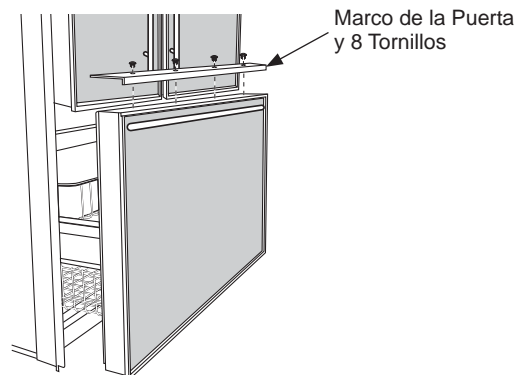
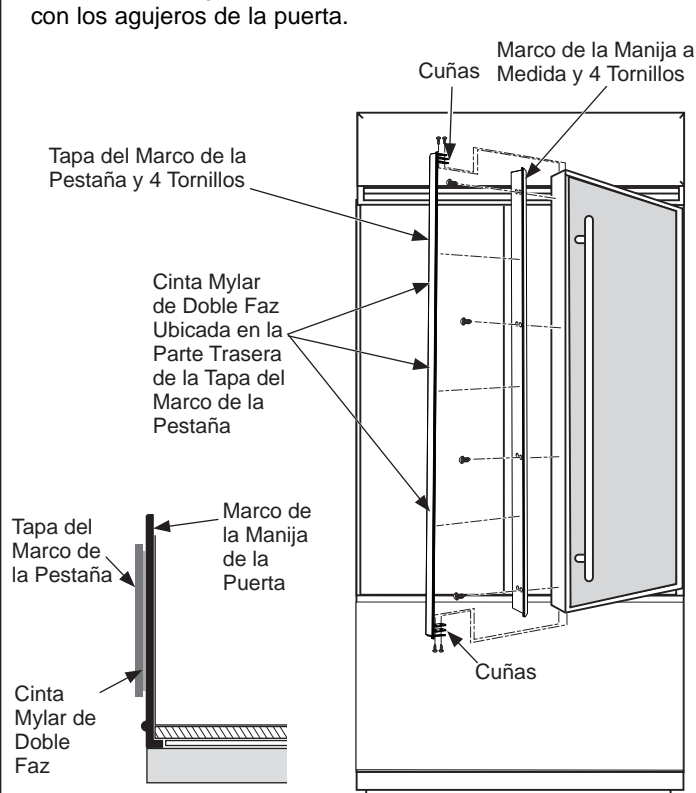
### PUERTAS DE COMIDAS FRESCAS

- Comenzando por la puerta de comidas frescas derecha, deslice el panel de la puerta ensamblado en el marco de la puerta.
- Coloque el marco de la manija a medida contra el lateral de la puerta del refrigerador, alineado desde la parte superior hasta la inferior. Los agujeros del marco deberán quedar alineados con los agujeros de la puerta.

- Adhiera el marco de la manija a medida con los 8 tornillos retirados previamente.
- Repita estos pasos en la puerta de comidas frescas izquierda.

### CAJÓN DEL FREEZER

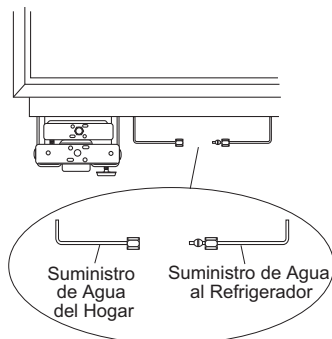
- Deslice el panel ensamblado dentro del marco del cajón.
- Asegure el marco del cajón original utilizando los tornillos de cabeza redonda originales del marco.



# Instrucciones de instalación - Instalación Nivelada de Puerta Francesa Refrigerador con Freezer Inferior

## PASO 12 REALICE LA CONEXIÓN AL SUMINISTRO DE AGUA

**⚠ ADVERTENCIA** Realice la conexión a un suministro de agua potable únicamente.



- Encuentre y traiga la tubería al frente del gabinete.
- Abra y deje correr el agua a fin de eliminar desechos del suministro. Deje correr alrededor de un cuarto de galón de agua por la tubería a un balde; luego cierre el suministro de agua.

### Tubería de Cobre:

- Coloque una tuerca de 1/4" y una abrazadera de refuerzo (provista) sobre ambos extremos de la tubería de cobre. Inserte la tubería en la unión con la unidad y ajuste la tuerca a la unión.
- Abra el suministro de agua para controlar que no haya pérdidas.

### Tubería SmartConnect™:

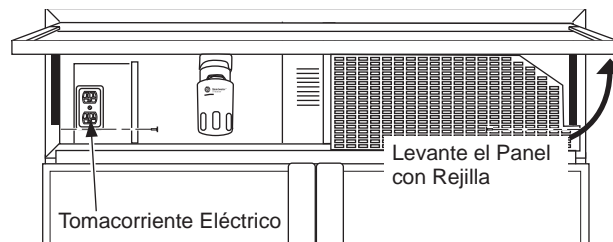
**NOTA:** La única tubería de plástico aprobada por Monogram es suministrada en los Kits de Tuberías para Refrigerador de SmartConnect™. No use ninguna otra tubería de suministro de agua plástica, ya que la tubería se encuentra bajo presión en todo momento. Otros tipos de plásticos podrán sufrir fisuras o roturas con el paso del tiempo y ocasionar problemas con el agua en su hogar.

- Inserte el extremo moldeado de la tubería en la conexión del refrigerador. Ajuste la tuerca de compresión hasta que quede fijada sólo con la presión manual.
- Realice un ajuste adicional con un giro de llave. ¡Un ajuste excesivo podrá ocasionar pérdidas!
- Abra el suministro de agua para controlar que no haya pérdidas.

**NOTA:** Asegúrese de que un exceso de la longitud de la tubería no interfiera con el cierre del cajón o con la instalación del zócalo.

## PASO 13 CONECTE LA CORRIENTE

- Asegúrese de que el cable de corriente esté enchufado en el receptáculo.



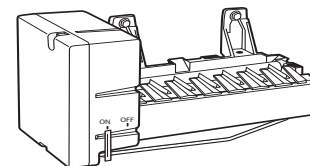
- Asegúrese de que la corriente que va al refrigerador está activada, abriendo la puerta del refrigerador para ver si las luces interiores están encendidas.
- Los controles de temperatura están preconfigurados en 37°F (2.78°C) para la sección de comidas frescas y en 0°F (-17.78°C) para el freezer.
- Permita que se estabilice durante 24 horas antes de realizar ajustes.

## PASO 14 ENCIENDA LA MÁQUINA DE HIELO

### ⚠ PRECAUCIÓN

Evite el contacto con las partes en movimiento del mecanismo expulsor o con el elemento de calefacción (ubicado en la parte inferior de la máquina de hielo) que expulsa los cubos. No coloque los dedos ni las manos en el mecanismo de la máquina de hielo automática mientras el freezer se encuentre enchufado.

- La máquina de hielo comenzará a funcionar automáticamente.
- Asegúrese de que nada interfiera con la extensión del interruptor de energía.
- Descarte el primer balde lleno de cubos de hielo.
- Para apagar la máquina de hielo, consulte la Instalación Estándar.



**NOTA:** La máquina de hielo funciona mejor con una presión hogareña de agua de entre 40 y 120 PSI (275-827 kPa).

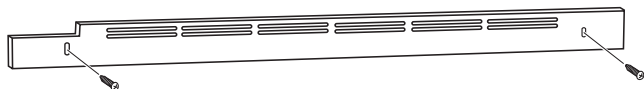
# Instrucciones de instalación - Instalación Nivelada de Puerta Francesa Refrigerador con Freezer Inferior

## PASO 15 INSTALE EL ZÓCALO

- Se podrá instalar un zócalo a medida que coincida o complemente los muebles que estén alrededor.

**IMPORTANTE:** Este zócalo a medida NO deberá cubrir las ranuras de ventilación horizontales del zócalo de fábrica provisto con el refrigerador original y deberá ser 1 5/8" más largo a cada lado. La altura final se deberá reducir una vez que la unidad se encuentre nivelada.

- Adhiera el ensamble del zócalo al refrigerador usando los dos (2) tornillos suministrados.



## INSPECCIONE LA INSTALACIÓN FINAL

### Controle la alineación de la puerta.

Aléjese del refrigerador para inspeccionar la instalación final.

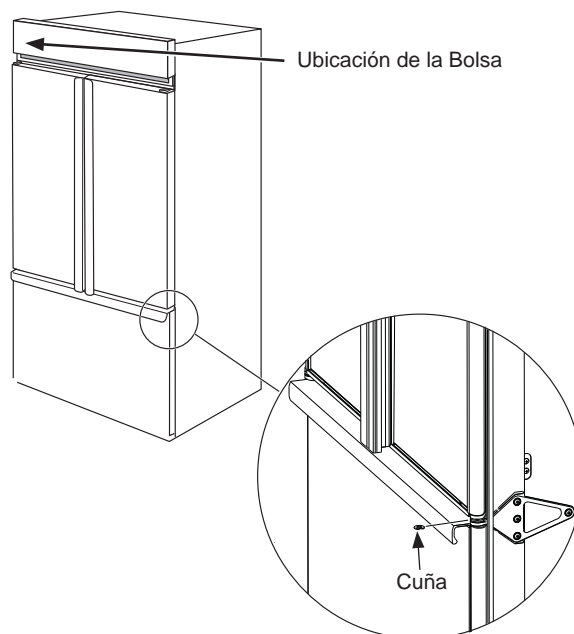
- Es posible que la instalación o la adición de paneles de puerta pesados hayan ocasionado que las puertas se muevan levemente fuera de su alineación. Asegúrese de que la parte superior de las puertas estén alineadas de forma pareja una con otra. De ser necesario, las puertas se podrán ajustar hacia arriba o abajo para su alineación.
- Agregue o retire cuñas como se muestra, para ajustar la puerta derecha únicamente. Más cuñas están ubicadas debajo de la campana, del lado izquierdo de la bolsa con el tapón del bypass del filtro y el mini manual

### Para Elevar la Puerta del Lado Derecho.

- Levante la puerta del lado derecho, de modo que haya una brecha debajo del buje de la bisagra inferior.
- Coloque una cuña sobre el perno de la bisagra, debajo del buje.
- Baje la puerta y vuelva a controlar la alineación.
- Repita estos pasos según sea necesario.

### Para Bajar la Puerta del Lado Derecho.

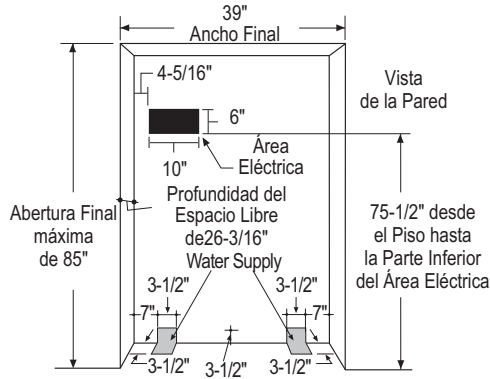
- Levante la puerta del lado derecho, de modo que haya una brecha debajo del buje de la bisagra inferior.
- Retire una cuña presionando la misma hacia afuera del perno de la bisagra.
- Baje la puerta y vuelva a controlar la alineación.
- Repita estos pasos según sea necesario.



# **Instrucciones para el Freezer Inferior Refrigerador**

# Guía de Diseño - Instalación nivelada del Refrigerador con Freezer Inferior

## EL ESPACIO DE INSTALACIÓN



### Ubicaciones de Agua y Electricidad

Los suministros eléctricos y de agua deberán ser ubicados como se muestra.

### La Profundidad del Recorte Deberá Ser de un Mínimo de 26 3/16" (66.52 cm)

Se requiere el uso de ristreles de madera para una instalación nivelada. Consulte sobre los Ristreles Laterales en la página 28.

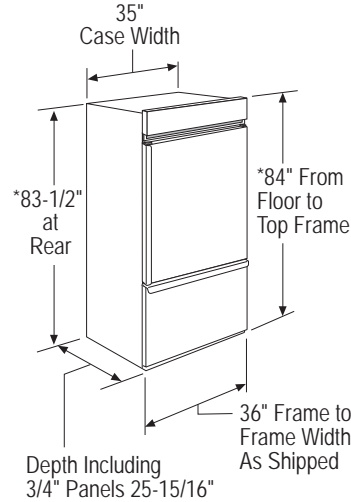
### Profundidad del espacio libre debajo de un soffito:

Cuando se instale debajo de un soffito, este último no podrá exceder la profundidad de instalación de 26-3/16" (66.52 cm) mostrada. El marco de la carcasa superior se superpone con la parte inferior del soffito.

### Especificaciones adicionales

- Se requiere un suministro de corriente de 115 voltios, 60Hz., y 15 o 20 amperes. Se recomienda el uso de un circuito individual derivado o un disyuntor correctamente conectado a tierra. Instale un receptáculo eléctrico de 3 patas correctamente conectado a tierra en la pared trasera. El receptáculo eléctrico deberá estar ubicado en la pared trasera como se muestra.
- El suministro de agua puede ingresar a la abertura a través del piso o la pared trasera. Haga circular el kit de SmartConnect™ o una tubería de cobre con un diámetro externo de 1/4" entre la tubería de agua fría y la ubicación de la conexión de agua. La tubería deberá poseer una extensión suficiente como para llegar hasta el frente del refrigerador. Se requiere la instalación de una válvula de cierre fácilmente accesible en la tubería de agua.

## DIMENSIONES Y ESPACIOS LIBRES

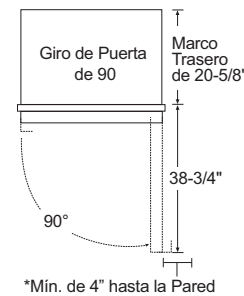


\*Altura del embalaje. El refrigerador puede ser ajustado para caber en un espacio libre de una altura máxima de 85" (215.9 cm). Use las patas niveladoras y las ruedas para un ajuste de altura máxima de 1" (2.54 cm).

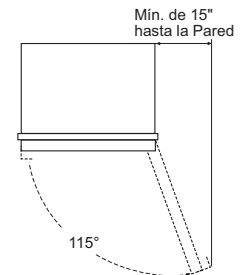
### Espacios Libres del Producto

Estos refrigeradores están equipados con un dispositivo de detención de la puerta de 3 posiciones. El giro de la puerta de 115° original de fábrica se podrá ajustar a 90° si el espacio libre hasta los gabinetes adyacentes o las paredes es restringido.

Para un giro de puerta de 90°, deje un espacio libre mínimo de 4" (10.16 cm) hasta una pared. Si se usa la detención de puerta en 90°, se mantendrá el acceso a las bandejas pero su retiro estará restringido.



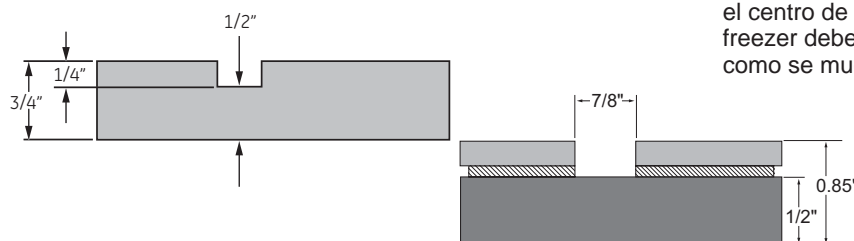
### Balaceo de puerta de 115°



## GUÍA DE DISEÑO DE LA MANIJA A MEDIDA

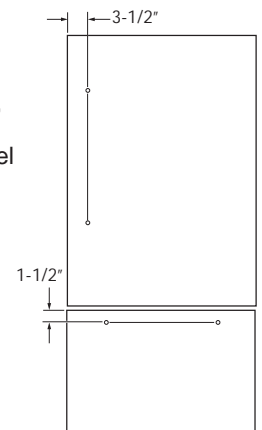
Las manijas a medida deben ser usadas para instalaciones niveladas. Para la instalación de la manija a medida, los agujeros taladrados en la parte trasera de los paneles decorativos deberán asegurar que el grosor del material de 1/2" (1.27 cm) permanezca para el soporte de la manija.

**NOTA:** El agujero taladrado no deberá superar 1" (2.54 cm) de diámetro.



La distancia mínima desde el extremo lateral de la manija hasta el centro de la manija de la Puerta de Comidas Frescas deberá ser de 3 1/2" (8.89 cm), como se muestra.

La distancia mínima sobre la Puerta del Freezer desde extremo superior hasta el centro de la manija del cajón del freezer deberá ser de 1 1/2" (3.8 cm), como se muestra.



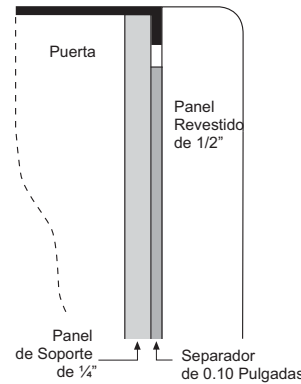
# Guía de Diseño - Instalación nivelada del Refrigerador con Freezer Inferior

## DIMENSIONES DE LOS PANELES REVESTIDOS DE 1/2" (1.27 cm)

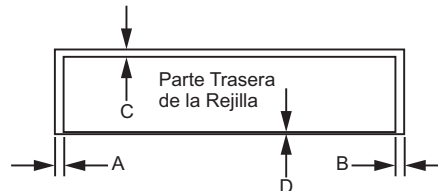
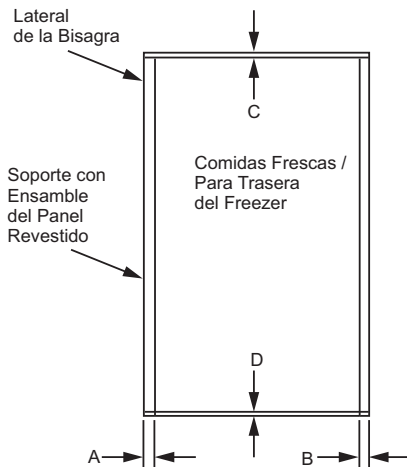
Para un aspecto más personalizado, los paneles revestidos podrán ser instalados en modelos con marco. El panel revestido deberá ser asegurado sobre un panel de soporte de un grosor de 1/4" (0.63 cm), que se deslice sobre el recorte. Se deberá colocar un panel separador de un grosor de 0.10" (0.25 cm) entre el panel revestido y el panel de soporte.

### Ensamble los paneles con pegamento y tornillos:

- Centre el panel separador sobre el panel de soporte, de izquierda a derecha y de arriba hacia abajo. Asegure los paneles con pegamento.
- Consulte el siguiente cuadro para ubicar el panel de soporte en el panel revestido. Asegure el panel revestido al panel de soporte con pegamento y tornillos. Los tornillos deberán ser encastrados en el panel de soporte.



$$.250" + .10" + .50" = .850" \text{ de Grosor Total del Panel} \\ (0.635 \text{ cm} + 0.254 \text{ cm} + 1.27 \text{ cm} = 2.159)$$



	A	B	C	D
Panel de la Puerta	2-1/16" (5.24 cm)	2-1/16" (5.24 cm)	5/16" (0.79 cm)	3/16" (0.47 cm)
Paneles del Cajón	2-1/16" (5.24 cm)	2-1/16" (5.24 cm)	5/16" (0.79 cm)	3/16" (0.47 cm)
Panel de Rejilla	2-1/16" (5.24 cm)	2-1/16" (5.24 cm)	1-11/16" (4.28 cm)	3/16" (0.47 cm)

**NOTA IMPORTANTE:** Peso máximo total para los paneles ensamblados:

- Panel de la puerta de comidas frescas – 75 libras (34.02 cm)
- Panel de Rejilla – 18 libras (8.16 cm)

### Dimensiones del Panel

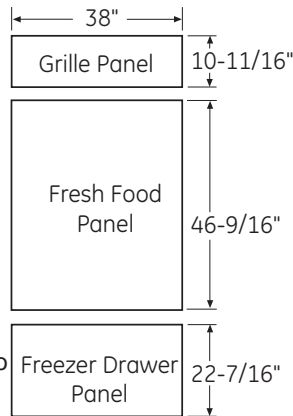
	Comida Fresca	Freezer	Rejilla
Panel de Soporte de 1/4" (0.63 cm)	46-1/16" x 33-7/8" (116.99 cm x 86.04 cm)	21-7/8" x 33-7/8" (55.56 cm x 86.04 cm)	8-7/8" x 33-7/8" (22.54 cm x 86.04 cm)
Panel Separador de 0.10" (0.25 cm)	44-11/16" x 32-1/2" (113.51 cm x 82.55 cm)	20-1/2" x 32-1/2" (52.07 cm x 82.55 cm)	7-5/8" x 32-1/2" (16.37 cm x 82.55 cm)
Panel Revestido de 1/2" (1.27 cm)	49-9/16" x 38" (125.89 cm x 96.52 cm)	22-7/16" x 38" (56.99 cm x 96.52 cm)	10-11/16" x 38" (27.15 cm x 96.52 cm)

# Guía de Diseño - Instalación nivelada del Refrigerador con Freezer Inferior

## DIMENSIONES DEL PANEL DECORATIVO DE 3/4" (1.9 cm)

Para una apariencia más a medida, los paneles revestidos podrán ser instalados para dar un aspecto nivelado con los gabinetes que se encuentran alrededor. El panel revestido deberá poseer un grosor de  $\frac{3}{4}$ " (1.9 cm). El panel se adhiere a los soportes incluidos para brindar el montaje a la puerta del electrodoméstico.

**NOTA:** Recomendamos que los paneles decorativos posean esquinas internas y extremos redondeados o biselados por el fabricante de gabinetes, a fin de evitar extremos puntiagudos en los paneles. Los extremos a ser tratados deberán incluir el extremo superior e inferior y los extremos laterales de las bisagras.



**NOTA IMPORTANTE:** Peso máximo total para los paneles ensamblados:

- Panel de la Puerta – 67 libras (30.39 kg)
- Panel de Rejilla – 18 libras (8.16 kg)

### ⚠ ADVERTENCIA



**Riesgo de Lastimadura**

#### con el Marco de la Puerta

Una instalación inadecuada podrá conducir a riesgos de pellizcos de dedos entre el marco lateral de la puerta y los gabinetes al utilizar la puerta, especialmente con los niños. A fin de minimizar este riesgo, usted deberá seguir las instrucciones de instalación para dimensiones de gabinetes, ensambles de marcos y ángulos de detención de puertas.

## INSTRUCCIONES BÁSICAS DE PERSONALIZACIÓN:

### Paneles con Marco o Revestidos, Manijas a Medida y Kits de Accesorios

Estos refrigeradores fueron diseñados para la personalización con paneles decorativos. Se requiere una puerta a medida y paneles con rejilla para instalación en el espacio.

#### Paneles Laterales

Los paneles laterales deberán ser usados siempre que los laterales del refrigerador queden expuestos.

## UBICACIÓN DEL REFRIGERADOR

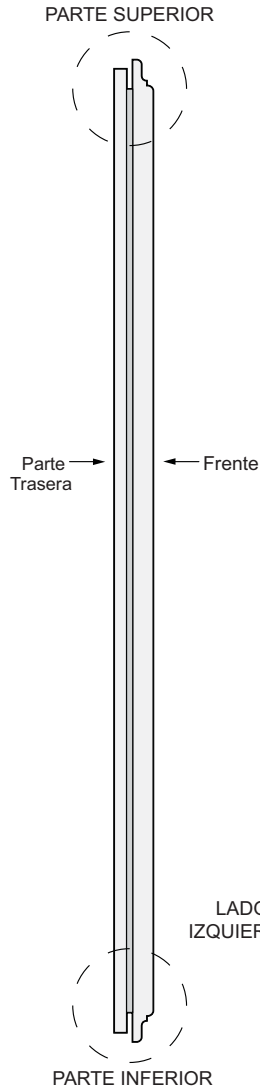
- No instale el refrigerador en lugares donde la temperatura sea inferior a los 55°F (13°C). Éste no funcionará con la frecuencia suficiente como para mantener las temperaturas apropiadas.
- No instale el refrigerador en lugares donde la temperatura sea superior a los 100°F (37°C). Éste no funcionará correctamente.
- No instale el refrigerador en una ubicación expuesta al agua (lluvia, etc.) o en contacto directo con la luz solar.
- Instale el mismo en un piso lo suficientemente fuerte como para soportarlo completamente cargado.



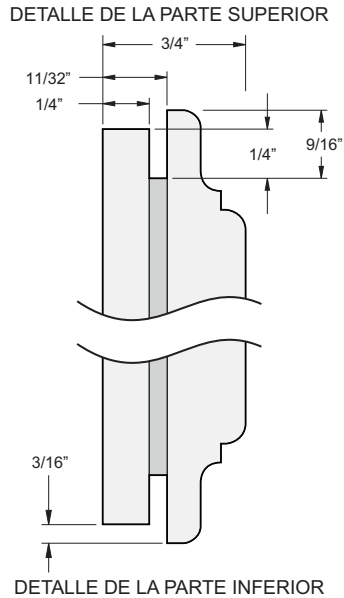
# Guía de Diseño - Instalación nivelada del Refrigerador con Freezer Inferior

## REBAJADO DEL PANEL DE LA PUERTA DE COMIDAS FRESCAS 3/4" (1.9 cm)

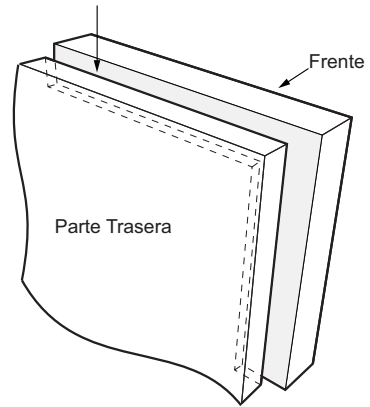
Cuando se trate de un panel de puerta elevada de 3/4" (1.9 cm), se requiere un rebajado. La profundidad del rebajado es de 1/4" (0.63 cm) en todo el recorrido de la parte trasera del panel. Se requieren reducciones del ancho del panel de acuerdo con los diagramas que figuran a continuación. Esto creará el rebajado del "marco de la imagen" que se deslizará sobre el marco de la puerta adherida.



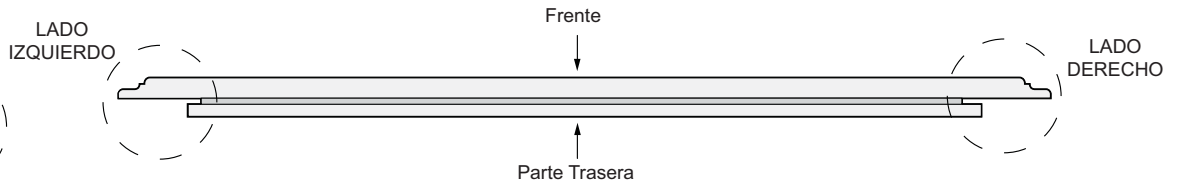
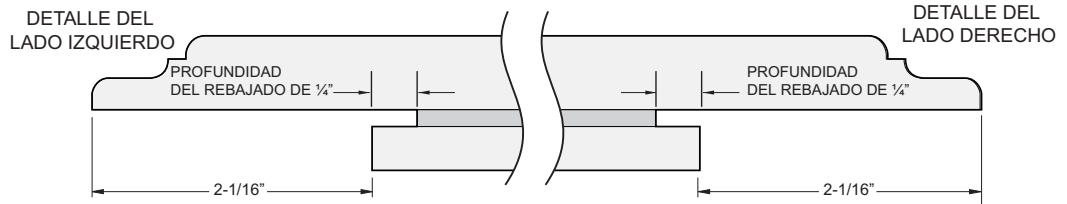
VISTA LATERAL DEL PANEL DE 3/4" (LUEGO DEL REBAJADO)



**NOTA:** Las áreas rebajadas deberán poseer un acabado, ya que podrán quedar visibles una vez ensambladas.



VISTA DE LA ESQUINA QUE MUESTRA EL REBAJADO DEL "MARCO DE LA IMAGEN"



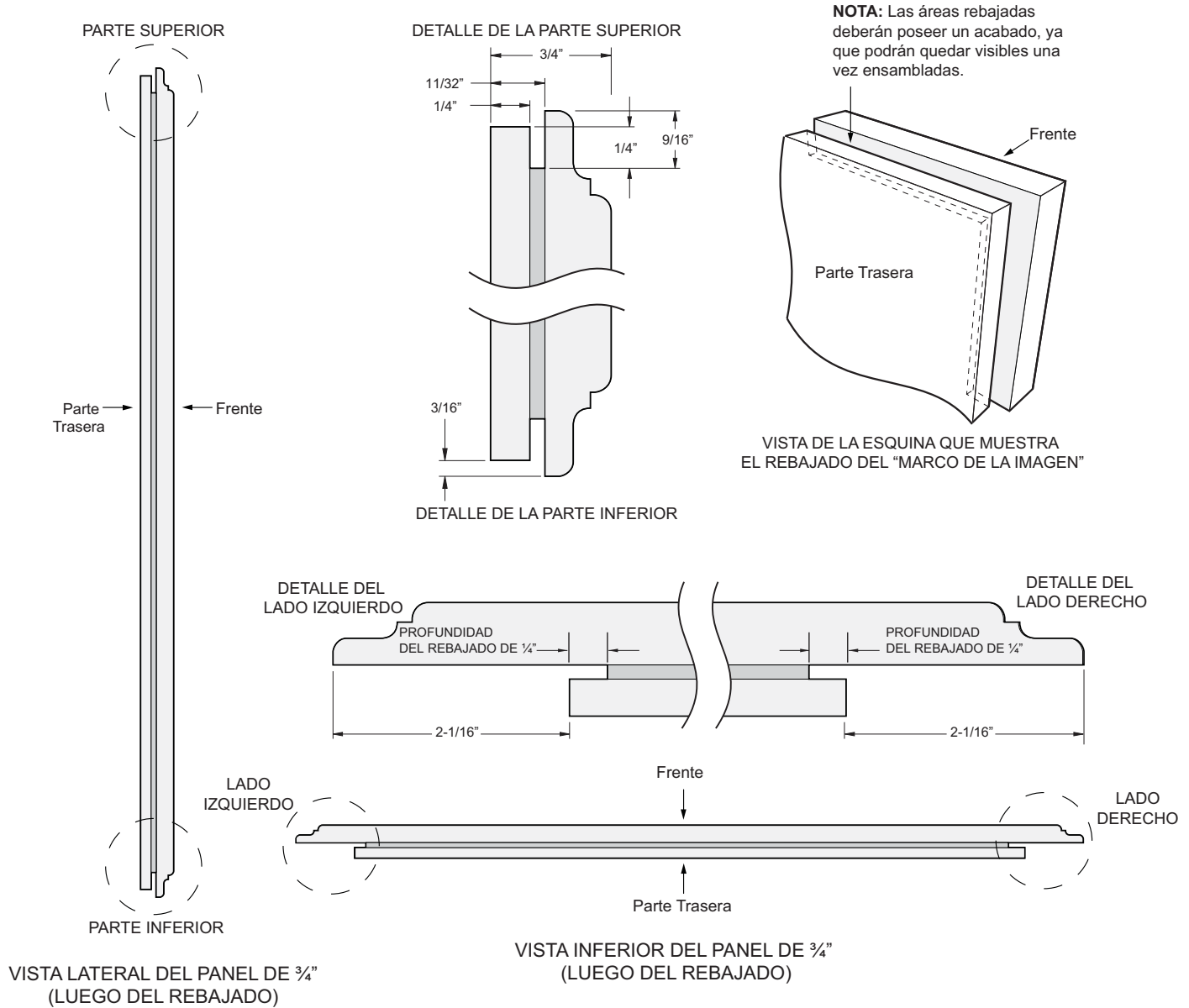
VISTA INFERIOR DEL PANEL DE 3/4" (LUEGO DEL REBAJADO)

**NOTA:** Para los paneles construidos con rieles y montantes (5 paneles), los rieles deberán poseer un ancho mínimo de 3" (7.62 cm) y los montantes 4" (10.16 cm).

# Guía de Diseño - Instalación nivelada del Refrigerador con Freezer Inferior

## REBAJADO DEL PANEL DEL CAJÓN DEL FREEZER ELEVADO DE 3/4" (1.9 cm)

Cuando se trate de un panel de puerta elevada de 3/4" (1,9 cm), se requiere un rebajado. La profundidad del rebajado es de 1/4" (0.63 cm) en todo el recorrido de la parte trasera del panel. Se requieren reducciones del ancho del panel de acuerdo con los diagramas que figuran a continuación. Esto creará el rebajado del "marco de la imagen" que se deslizará sobre el marco de la puerta adherida.

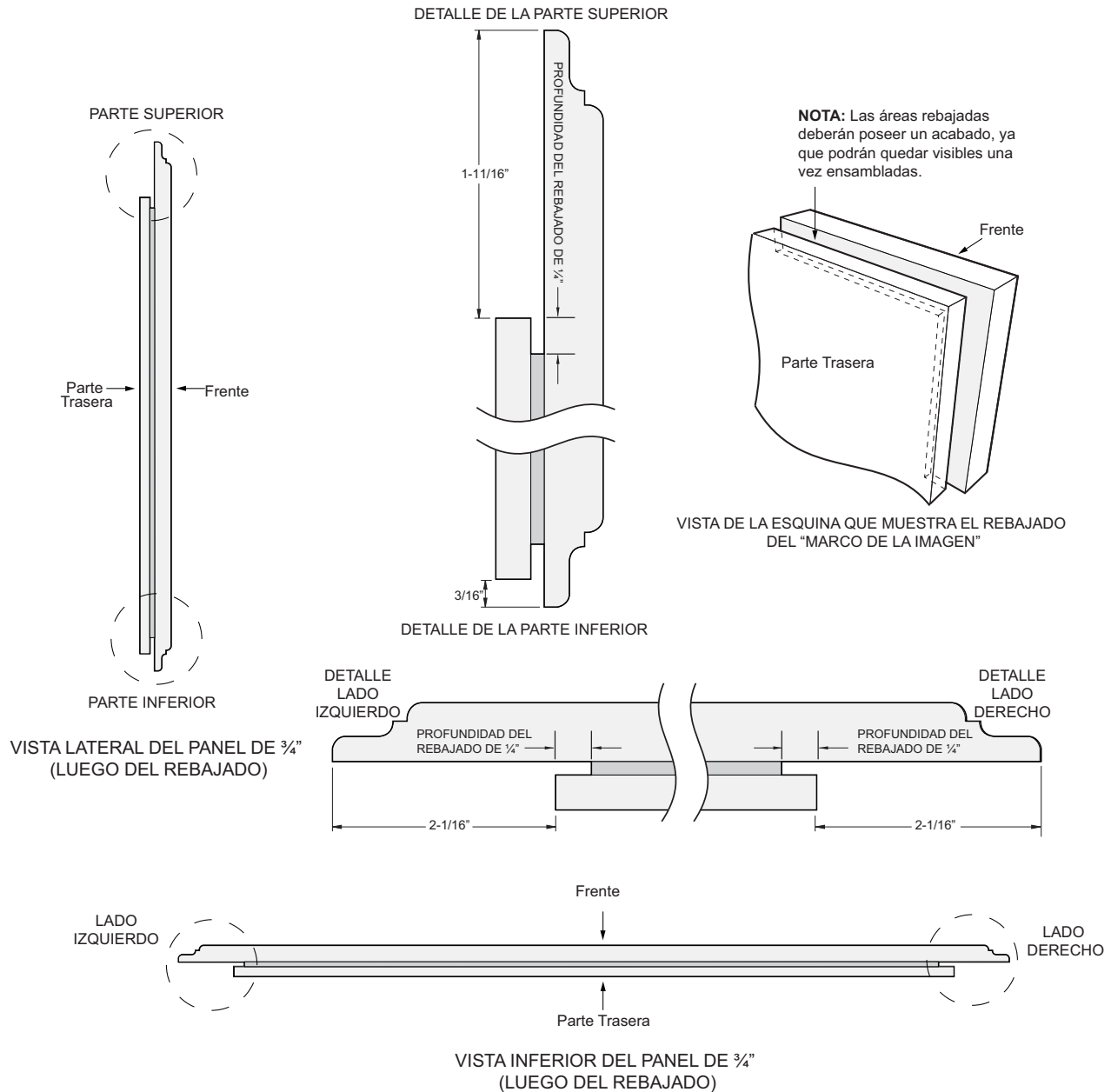


**NOTA:** Para los paneles construidos con rieles y montantes (5 paneles), los rieles deberán poseer un ancho mínimo de 3" (7.62 cm) y los montantes 4" (10.16 cm).

# Guía de Diseño - Instalación nivelada del Refrigerador con Freezer Inferior

## REBAJADO DEL PANEL DE REJILLA ELEVADO DE 3/4"

Para un panel de rejilla elevada de 3/4" (1.9 cm), se requiere un rebajado. La profundidad del rebajado es de 1/4" (0.63 cm) en todo el recorrido de la parte trasera del panel. Se requieren reducciones del ancho del panel de acuerdo con los diagramas que figuran a continuación. Esto creará el recorrido del "marco de la imagen" que se deslizará en el borde de la rejilla adherida.



**NOTA:** Para los paneles contruidos con rieles y montantes (5 paneles), los rieles deberán poseer un ancho mínimo de 3" (7.62 cm) y los montantes 4" (10.16 cm).

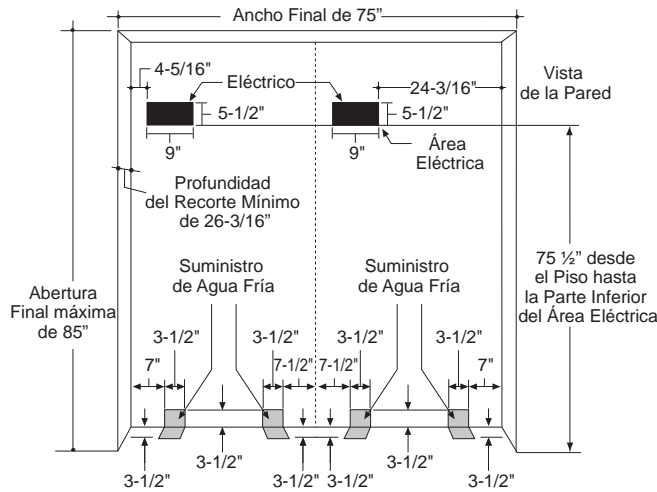
# Guía de Diseño - Instalación nivelada del Refrigerador con Freezer Inferior

## INSTALACIÓN

### Kit Unificado ZKBFN720NII

- Si instalará dos unidades, lado a lado, el espacio de instalación deberá ser de 75" (190.5 cm) de ancho.
- NOTA:** Se podrá requerir un ancho de recorte adicional cuando se usen paneles laterales. Agregue el grosor del panel lateral al recorte final para calcular el ancho en bruto.
- El agua y las ubicaciones eléctricas para cada producto deberán ser ubicadas como se muestra.
- Se recomienda un suministro de corriente aparte de 115 voltios, 60Hz., y 15 o 20 amperes para cada producto.

**NOTA:** Al implementar una instalación dual, el marco de la carcasa estándar instalado de fábrica deberá ser usado sobre el lateral de la manija de cada unidad, y el marco de la caja nivelada suministrada deberá ser usada sobre el lateral de la bisagra de cada unidad.

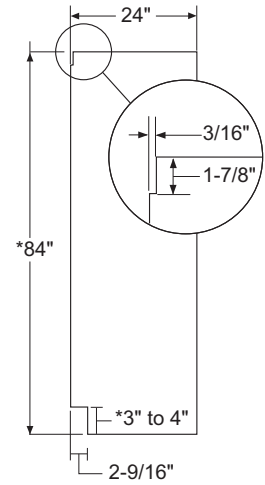


## PANELES LATERALES

Los paneles laterales deberán ser usados siempre que los laterales del refrigerador queden expuestos. Los paneles laterales de 1/4" (0.63 cm) se deslizarán por el marco de la carcasa lateral. Asegure los paneles al refrigerador con cinta de sujeción de vecro. Ordene los paneles laterales al fabricante de gabinetes.

- Haga un agujero en la esquina frontal derecha como se muestra, a fin de dejar espacio para las teclas de la esquina frente al marco lateral.

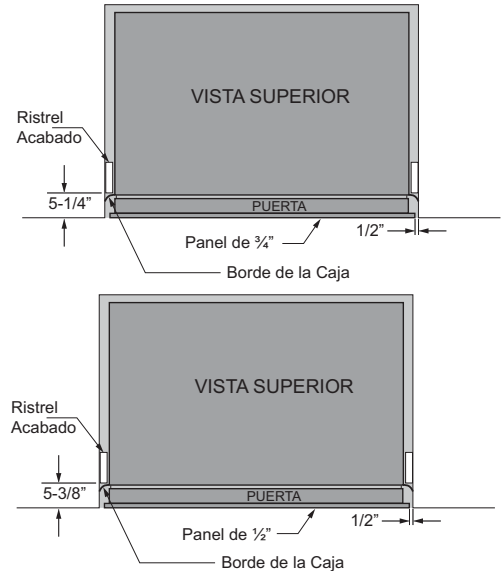
\* Dependiendo de la altura de la instalación.



## RISTRELES LATERALES

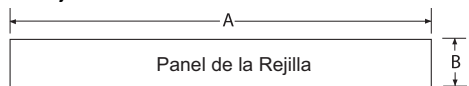
Se requieren ristreles de madera para su instalación vertical a ambos lados de la abertura del gabinete, a fin de brindar un tope de profundidad al refrigerador cuando éste sea instalado en la abertura.

El ristrele deberá ser instalado de acuerdo con los diagramas que figuran a continuación, y en base al tipo de panel que será usado.



## DIMENSIONES DEL KIT UNIFICADO ZKBFN720NII

El kit unificado ZKBFN720NII brinda la instalación de un panel con rejilla con borde o revestido.

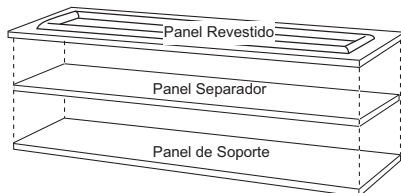


### Dimensiones del Panel con Marco

3/4" (1.91 cm) Panel Rebajado	A (Ancho) 74" (187.96 cm)	B (Altura) 10-11/16" (27.15 cm)
-------------------------------	------------------------------	------------------------------------

### Dimensiones del Panel Revestido

1/4" (0.63 cm) Panel de Soporte	A (Ancho) 69-7/8" (177.48 cm)	B (Altura) 8-7/8" (22.54 cm)
0.10" (0.25 cm) Panel Separador	68-1/2" (173.99 cm)	7-5/8" (19.37 cm)
1/2" (1.27 cm) Panel Liso	74" (187.96 cm)	10-11/16" (27.15 cm)



Ensamble los paneles revestidos del mismo modo que los paneles de la puerta y del cajón.

## DIMENSIÓN DEL ZÓCALO A MEDIDA

Para hacer un zócalo a medida, use como plantilla el zócalo suministrado (H) del kit de unificación. El zócalo a medida deberá ser 1 5/8" más largo en ambos extremos en relación al zócalo suministrado (H) del kit de unificación.

## DIMENSIONES DEL PANEL DE PUERTA UNIFICADO

Las dimensiones del panel de la puerta para una instalación dual son:

- Puerta FF: 46-9/16" (125.89 cm) x 36-7/8" (93.66 cm)
- Cajón FZ: 22-7/16" (56.99 cm) x 36-7/8" (93.66 cm)

# Instrucciones de instalación - Instalación nivelada del Refrigerador con Freezer Inferior

## HERRAMIENTAS REQUERIDAS

- Tijeras cortachapa para cortar bandas
- Escalera de dos hojas
- Balde
- Nivel
- Carro Manual para Electrodomésticos
- Cortatubos
- Llave de tuercas de 7/16"
- Destornillador Phillips nº2
- Taladro y brocas apropiadas
- Enchufe de 5/16", 7/16"
- Gafas de seguridad
- Llave de tuercas de 1 ¼"
- Pinzas
- Trinquete de 1/4"

## MATERIALES SUMINISTRADOS CON LA UNIDAD

- Tapón del bypass del filtro de agua
- Soportes anti volcaduras
- Tuerca y abrazadera de refuerzo de 1/4"

## MATERIALES REQUERIDOS

- Soporte anti volcaduras de 2 x 4 de 35" de longitud
- Tubería de cobre para suministro de agua de ¼" o kits de Tuberías para Refrigerator SmartConnect™.
- Válvula de cierre de agua
- Paneles a medida para la puerta de comidas frescas, el cajón del freezer y el panel de rejilla.
- Tornillos para asegurar el refrigerador a los gabinetes.
- Cintas de ajuste de velcro para paneles laterales de 1/4" (0.63 cm)
- ZKFN Kit for flush inset installations

## PISO

Para una instalación correcta, el refrigerador se deberá ubicar en una superficie nivelada de material duro que posea la misma altura en el resto del piso. Esta superficie deberá ser lo suficientemente fuerte como para resistir el peso de un refrigerador totalmente cargado o aproximadamente 1200 libras (544.31 kg).

**NOTA:** Proteja el acabado del piso. Corte una sección amplia de cartón y coloque la misma debajo del refrigerador donde se encuentra trabajando.

## CONEXIÓN A TIERRA DEL REFRIGERADOR

### ⚠ ADVERTENCIA Riesgo de Descarga Eléctrica

Si no se siguen estas instrucciones, se podrá producir la muerte, incendios o descargas eléctricas.

El cable de corriente de este electrodoméstico cuenta con un enchufe de 3 cables (conexión a tierra) que se conecta a un tomacorriente de pared estándar de 3 cables (conexión a tierra) para minimizar el riesgo de posibles descargas eléctricas por parte del mismo.

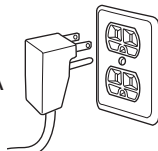
Contrate a un electricista calificado para que controle el tomacorriente y el circuito eléctrico, a fin de asegurar que el enchufe esté correctamente conectado a tierra.

En caso de contar con un tomacorriente de pared de 2 cables, es su responsabilidad y obligación reemplazarlo por un tomacorriente de pared de 3 cables correctamente conectado a tierra.

**NUNCA, BAJO NINGUNA CIRCUNSTANCIA, CORTE NI ELIMINE EL TERCER CABLE (TIERRA) DEL CABLE DE CORRIENTE.**

**NO USE UN ENCHUFE ADAPTADOR PARA CONECTAR EL REFRIGERADOR A UN TOMACORRIENTE DE 2 PATAS.**

**NO USE UN PROLONGADOR CON ESTE ELECTRODOMÉSTICO.**



## PASO 1 RETIRE EL EMBALAJE

### ⚠ ADVERTENCIA



### Riesgo de Caídas

El refrigerador es mucho más pesado en su parte superior que en su parte inferior – tenga cuidado al moverlo. Al usar un carro manual, sosténgalo de costado únicamente.

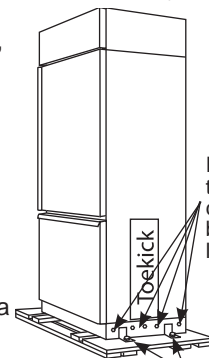
- De forma cuidadosa, corte las bandas en la parte superior e inferior, y retire el cartón externo.
- Deslice hacia afuera los postes de las esquinas traseras (2).
- Deslice el cartón fuera de la parte superior del gabinete.

**NOTA:** ¡NO ES NECESARIO APOYAR EL GABINETE PARA RETIRAR EL ANTIDESLIZANTE!

- La unidad se encuentra asegurada al antideslizante por 4 cintas de amarre ranuradas. Retire los seis tornillos de 7/16" de los canales de la base en los amarres.
- Retire los seis tornillos de 7/16" que aseguran las cintas al antideslizante.

**NOTA:** NO INTENTE HACER RODAR LA UNIDAD FUERA DEL ANTIDESLIZANTE.

- Los bloques de soporte de la parte inferior de la carcasa de refrigeración deberán ser retirados antes de que el refrigerador sea retirado del antideslizante, ya que de otro modo se podrán producir daños. De forma cuidadosa, incline el refrigerador y deslice los bloques hacia afuera desde abajo.
- Retire el zócalo y guarde el mismo para la instalación final.
- Levante el refrigerador fuera del antideslizante con un carro para electrodomésticos. Sostenga el electrodoméstico de los costados.



Retire los 5 tornillos del canal de la base a cada lado

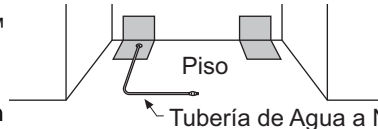
Retire los 2 tornillos de las cintas a cada lado

# Instrucciones de instalación - Instalación nivelada del Refrigerador con Freezer Inferior

## PASO 2 INSTALE EL SUMINISTRO DE AGUA

**⚠ ADVERTENCIA** Realice la conexión a un suministro de agua potable únicamente.

- Se requiere un suministro de agua fría para el funcionamiento de la máquina de hielo automática. La presión del agua deberá ser de entre 40 y 120 p.s.i. (275-827 kPa).
- Haga circular una tubería de cobre con un diámetro externo de 1/4" o una tubería de plástico SmartConnect™ entre la tubería de agua fría del hogar y la ubicación de la conexión de agua.
- La tubería deberá ser de una extensión suficiente como para llegar hasta el frente del refrigerador. Deje una cantidad de tubería suficiente como para hacer una inclinación que llegue hasta la conexión de la tubería de agua.



**NOTA:** La única tubería de plástico aprobada por Monogram es suministrada en los Kits de Tuberías para Refrigerador de SmartConnect™. No use ninguna otra tubería de suministro de agua plástica, ya que la tubería se encuentra bajo presión en todo momento. Otros tipos de plásticos podrán sufrir fisuras o roturas con el paso del tiempo y ocasionar problemas con el agua en su hogar.

Los Kits de Tuberías para Refrigerador de SmartConnect™ están disponibles en las siguientes longitudes:

- 2' (.6 m) - WX08X10002
- 8' (2.4 m) - WX08X10006
- 15' (4.6 m) - WX08X1 0015
- 25' (7.6 m) - WX08X10025

### Cierre el suministro principal de agua.

Abra el grifo más cercano durante un tiempo suficiente como para despejar la tubería de agua.

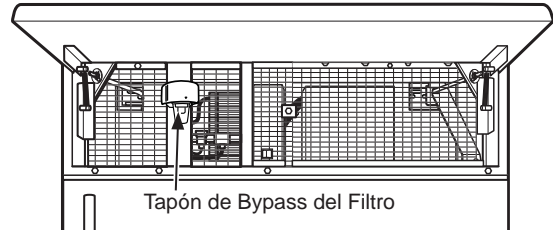
- Instale una válvula de cierre entre la válvula de agua de la máquina de hielo y la tubería de agua fría en un punto bajo o en un gabinete. La válvula de cierre deberá ser ubicada donde sea de fácil acceso.
- Abra el suministro de agua principal y deje correr la suciedad. Deje correr aproximadamente un cuarto de galón de agua a través de la tubería a un balde. Cierre el suministro de agua desde la válvula de cierre.

**NOTA:** Muchos kits de suministro de agua incluyen válvulas de cierre tipo montura, pero no se recomiendan para esta aplicación.

## PASO 2A TUBERÍA DE AGUA INSTALACIÓN CON UN SISTEMA DE ÓSMOSIS INVERSA

Si no usará un Sistema de Ósmosis Inversa, saltee este paso.

Si el suministro de agua al refrigerador proviene de un Sistema de Agua por Ósmosis Inversa, use el tapón del bypass del filtro del refrigerador. El uso del cartucho de filtrado de agua del refrigerador junto con un filtro de agua por ósmosis inversa podrán producir cubos de hielo huecos.

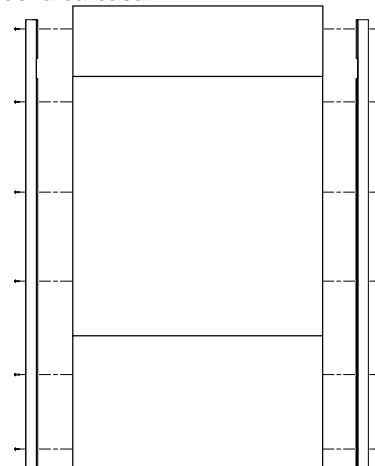


## PASO 3 INSTALE LOS PANELES LATERALES

Saltee este paso cuando no use los paneles laterales. Si usará paneles laterales de 1/4" (0.63), deberán ser insertados en el marco de la carcasa. Ajuste los paneles al refrigerador con cintas de sujeción de velcro, antes de establecer el refrigerador en su posición.

## PASO 4 INSTALE EL MARCO DE LA CARCASA

La unidad es entregada con el marco de la carcasa adherido para la instalación estándar. El borde de la caja para una instalación nivelada se brinda con el kit ZKFN. Retire el marco de la carcasa instalado de fábrica. Instale el nuevo marco de la carcasa, usando las piezas del marco de la carcasa del lado derecho y del lado izquierdo y sus respectivos tornillos. Adhiera el marco de la carcasa a cada lado de la carcasa, como se muestra en la ilustración, colocando sus respectivos tornillos en los agujeros provistos a cada lado de la carcasa.





# Instrucciones de instalación - Instalación nivelada del Refrigerador con Freezer Inferior

## PASO 5 PROCEDIMIENTO ANTI-VOLCADURAS (Cont.)

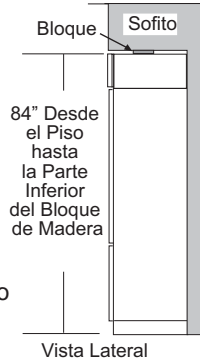
### ⚠ ADVERTENCIA



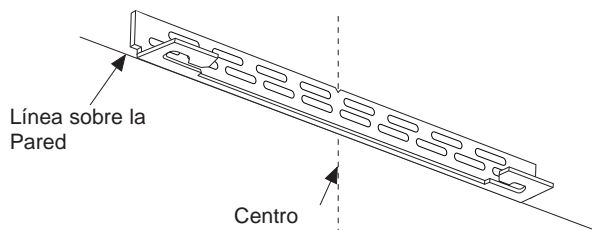
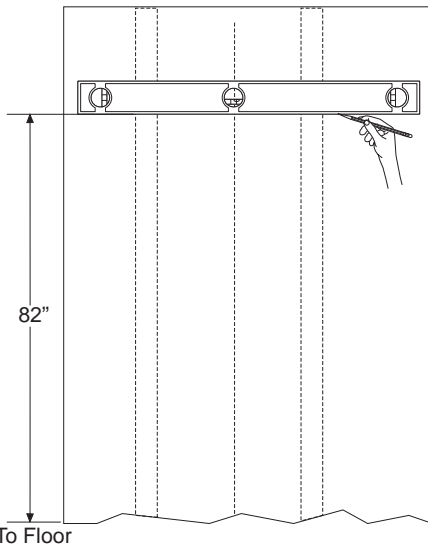
#### Riesgo de Caídas

Estos refrigeradores son inestables, especialmente cuando una puerta se encuentre abierta, y deberán estar asegurados a fin de evitar caídas hacia adelante que podrían resultar en la muerte o en lesiones graves. Lea y siga las instrucciones de instalación en su totalidad para asegurar el refrigerador con el sistema anti volcaduras.

- Corte un bloque de 1" (2.54 cm) x 4" (10.16 cm), 35" (88.9 cm) de longitud.
- Mida y haga una marca debajo del sofito, 5 1/4" (13.33 cm) desde el extremo frontal del gabinete.
- Asegure el bloque de madera debajo del sofito. Desde la parte inferior del bloque hasta el piso acabado deberá medir 84" (213.36 cm). Vea la ilustración.
- El kit suministrado con la unidad cuenta con 2 tornillos tirafondo y tornillos con resortes. El soporte de pared será adherido a la pared en 4 posiciones.
- Mida la abertura donde la unidad será instalada. Marque el centro con una línea vertical.

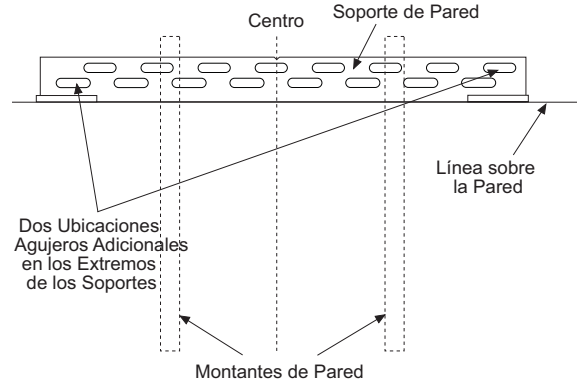


- Mida 82" (208.28 cm) desde el piso. Marque este punto sobre la pared.
- Con un nivel, dibuje una línea horizontal sobre la pared a esta altura.
- Ubique por lo menos 2 montajes en la pared trasera. Marque estos puntos sobre la línea horizontal.
- Coloque la parte inferior del soporte de pared con las lengüetas en la línea horizontal. Alinee la abertura central sobre el soporte con la línea central sobre la pared.



- El soporte de pared anti volcaduras cuenta con una serie de agujeros. Seleccione 2 agujeros que coincidan con los montajes ubicados. Asegúrese de que los agujeros seleccionados se encuentren en el centro de los montajes. Marque la pared en estos puntos.

- Marque un agujero adicional en cada extremo del soporte. Si uno de los montajes se encuentra más cerca del extremo del soporte, marque un agujero adicional hacia el centro del soporte.

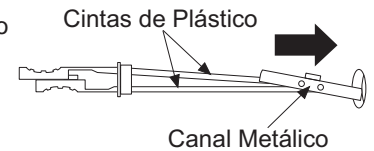


- Realice agujeros de 1/2" (1.27 cm) en el tablero de pared, en las ubicaciones marcadas para el montaje de los resortes (no las marcas de los montajes).
- Realice agujeros de 3/16" (0.47 cm) en los montajes de madera donde se realizaron las marcas. Si se trata de una construcción de montajes de acero, realice agujeros de 1/2" en los montajes donde se realizaron las marcas. Se deberán usar 2 resortes con los montajes metálicos.

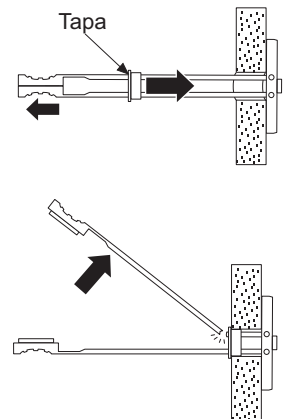
### Instale los Resortes de Pared:

Los resortes de pared y los tornillos pueden ser ordenados como el Kit de Servicio n° WR49X10193. Los tornillos con resortes de pared se instalan sobre el panel de yeso y los montajes metálicos para lograr estabilidad. Instale los tornillos con resortes de pared del siguiente modo:

- Realice agujeros de 1/2" (1.27 cm) sobre las marcas de la pared realizadas en los agujeros sobre los extremos del soporte de pared.
- Sostenga el canal metálico de forma plana contra las cintas de plástico y deslice el canal a través del agujero.



- De forma suave, empuje hacia atrás sobre los extremos de las cintas de plástico para hacer que el canal descansa de forma nivelada detrás de la pared.
- Sostenga los extremos de las tiras con una mano y deslice la tapa de plástico a lo largo de las cintas, hasta que el reborde de la tapa quede nivelado con la pared.
- Coloque el pulgar entre las cintas de plástico e incline las mismas hacia arriba y abajo para desenganchar las mismas de la pared.



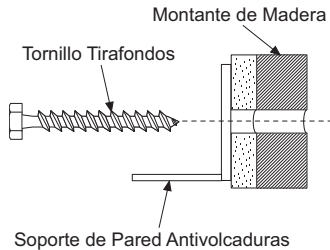


# Instrucciones de instalación - Instalación nivelada del Refrigerador con Freezer Inferior

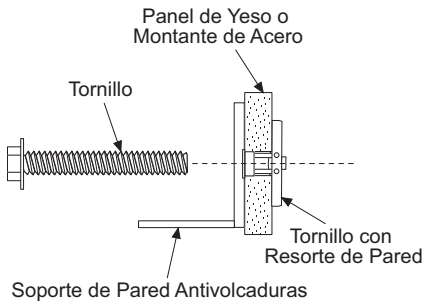
## PASO 5 PROCEDIMIENTO ANTI-VOLCADURAS (Cont.)

### Instale los Tornillos y Pernos:

- Solicite a alguien que sostenga el soporte de pared centrado en su posición con cada uno de los agujeros alineados con la abertura correcta en el soporte y realice la nivelación con la línea horizontal.



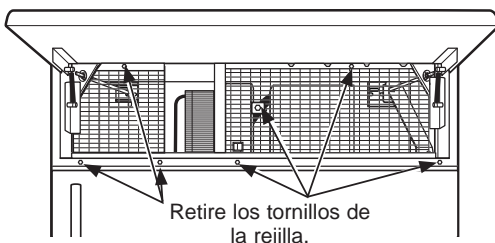
- Inserte los tornillos tirafondo a través del soporte y en el montante. Ajuste con una llave.
- Inserte los tornillos en el tornillo con resorte de forma manual hasta que quede ajustado. Ajuste con una llave.



### Retire las Rejillas para Acceder a los Ganchos del Bloqueo Anti Volcaduras

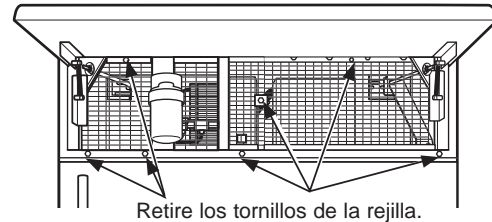
#### Unidad de Comidas Frescas

- Abra la puerta de acceso.
- Retire los 4 tornillos de la rejilla de la derecha y los 3 tornillos de la rejilla de la izquierda.
- Empuje la parte inferior de cada rejilla hacia adelante, abajo y afuera para retirar la misma.



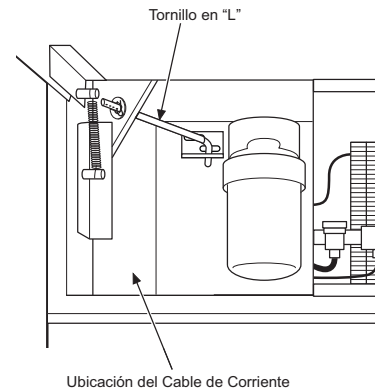
### Unidad del Freezer

- Abra la puerta de acceso.
- Retire los 4 tornillos de la rejilla de la derecha y los 3 tornillos de la rejilla de la izquierda.
- Empuje la parte inferior de cada rejilla hacia adelante, abajo y afuera para retirar la misma.



### Cable de Corriente

Ubique el cable de corriente dentro de la cavidad izquierda. Si no fue ajustado de modo que se pueda acceder al enchufe de forma fácil, hágalo ahora.



### Mueva la Unidad hasta la Posición Final

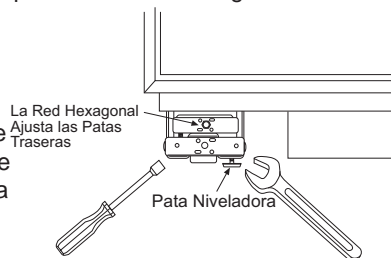
- Mueva el electrodoméstico hacia su posición de instalación final. Alinee las lengüetas sobre el soporte de pared con las aberturas en la parte trasera de la unidad.
- La unidad posee tornillos en "L" en las esquinas superior izquierda y derecha del compartimiento de acceso. Estos tornillos se entrelazarán con el soporte de pared y asegurarán la unidad usando las arandelas y los pasadores de chaveta del kit de materiales, una vez que la unidad haya sido nivelada y se encuentre en su posición final.

# Instrucciones de instalación - Instalación nivelada del Refrigerador con Freezer Inferior

## PASO 6 NIVELE EL REFRIGERADOR

Todos los modelos cuentan con 4 puntos de nivelación. La parte frontal está apoyada sobre patas niveladoras; la parte trasera está apoyada sobre ruedas ajustables. Es posible acceder a ambas desde la parte frontal del refrigerador.

- A fin de nivelar la parte trasera del refrigerador, gire la tuerca hexagonal de 7/16" que se encuentra ubicada sobre las ruedas frontales. Gire en dirección horaria para elevar el refrigerador, y en dirección antihoraria para bajar el mismo.

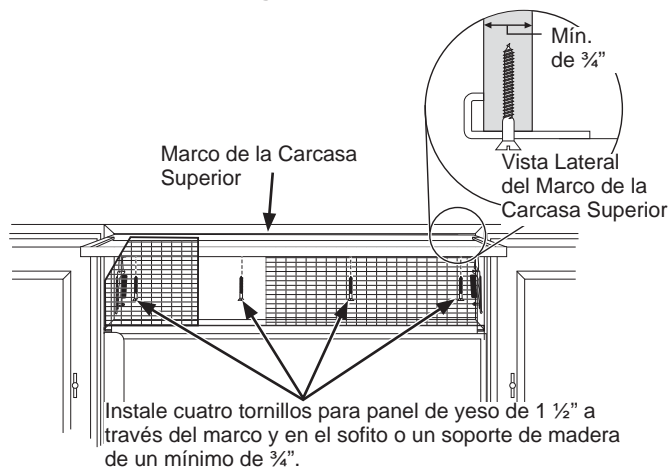


- Para nivelar la parte frontal, use una llave de boca de 1 1/4" (3.175 cm).
- Ajuste la altura del refrigerador para que coincida con la abertura del espacio libre de la instalación de 83 1/2" (212.09 cm) a 84 1/2" (214.63 cm). El refrigerador deberá estar nivelado y correctamente instalado entre los muebles de cocina.

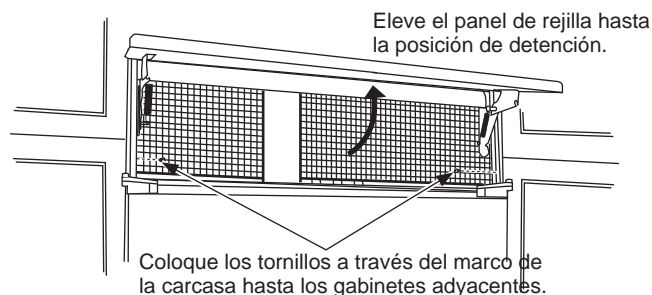
Las ruedas niveladoras traseras y las patas niveladoras frontales cuentan con un límite de ajuste de altura máxima de 1". Si en la instalación se requiere una altura superior a 84 1/2" (214.63 cm), el instalador deberá elevar el refrigerador sobre una lámina de contrachapado o correderas. También se podrá agregar un marco para gabinetes a través de la parte superior de la abertura, a fin de acortar esta última. Si intenta elevar el refrigerador más de 1" (2.54 cm), dañará las patas niveladoras frontales y las ruedas niveladoras traseras.

## PASO 7 PROCEDIMIENTO ANTI-VOLCADURAS ALTERNATIVO

El refrigerador deberá quedar asegurado a fin de evitar volcaduras. Si no es posible usar el soporte anti volcaduras, se podrá usar este procedimiento alternativo para evitar que el refrigerador sufra una caída.



- Eleve el panel de rejilla para acceder al marco de la carcasa.
- Use una broca de 3/16" para perforar cuatro agujeros en el espacio libre espaciado de forma pareja a través del marco de la carcasa metálica superior.



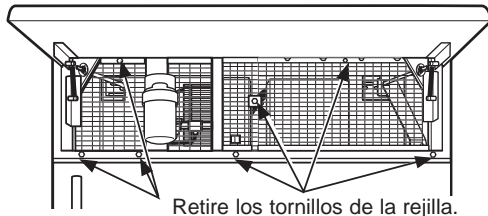
- Use una broca de 1/16" para perforar agujeros piloto a través de los agujeros metálicos en el espacio libre y en el soffito de madera. Los agujeros deberán estar centrados en el soffito o en un soporte de madera de un mínimo de 3/4". El soporte que abarca el cercado deberá estar ajustado de forma segura a los gabinetes sobre ambos lados.
- Instale cuatro tornillos para panel de yeso de 1 1/2" (3.81 cm) en los agujeros piloto.
- Si no se cuenta con un soffito sobre la unidad, perforo tornillos en los gabinetes adyacentes a través del marco de la carcasa lateral.

# Instrucciones de instalación - Instalación nivelada del Refrigerador con Freezer Inferior

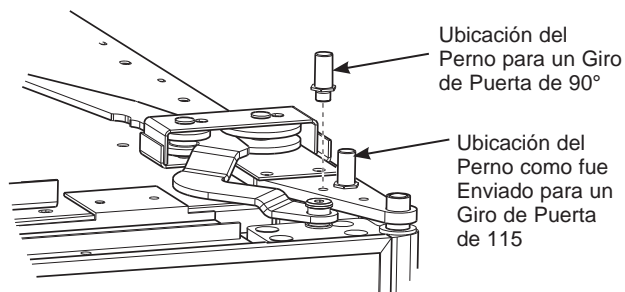
## PASO 8 AJUSTE EL GIRO DE LA PUERTA

**NOTA:** El refrigerador cuenta con una detención de la puerta de 3 posiciones. Cuando el espacio no permita que la puerta gire completamente hasta los 115°, podrá cambiar el giro de puerta a una apertura de 90°. **Si la apertura de la puerta es satisfactoria para su situación durante la instalación, saltee este paso.**

- Levante el panel de rejilla para acceder al marco de la tapa de cables.
- Retire los tornillos que se encuentran a ambos lados del marco de la tapa de cables y gire hacia afuera.



- Use una pinza para desenroscar la detención de la puerta y vuelva a instalar la misma en una posición de 90° o 130° (Instalación Estándar).
- Vuelva a instalar el marco de la tapa de cables.



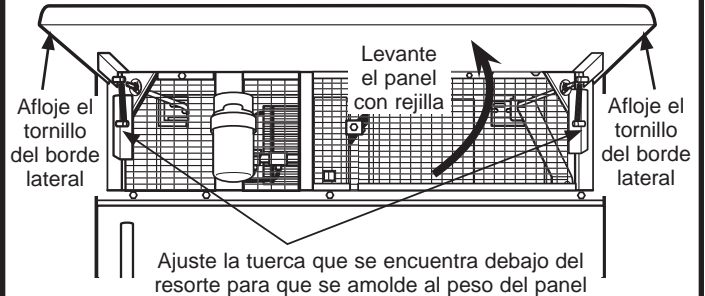
### ⚠ ADVERTENCIA



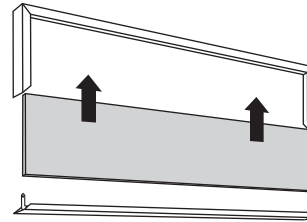
**con el Marco de la Puerta:** Una instalación inadecuada podrá conducir a riesgos de pellizcos de dedos entre el marco lateral de la puerta y los gabinetes al utilizar la puerta, especialmente con los niños. A fin de minimizar este riesgo, usted deberá seguir las instrucciones de instalación para dimensiones de gabinetes, ensambles de marcos y ángulos de detención de puertas.

## PASO 9 INSTALE EL PANEL DE REJILLA

- Eleve el panel de acceso hasta la posición de detención.
- Afloje los tornillos sobre el borde lateral detrás del marco. Retire el marco inferior.



- Deslice el panel sobre el panel de soporte metálico y en el marco.

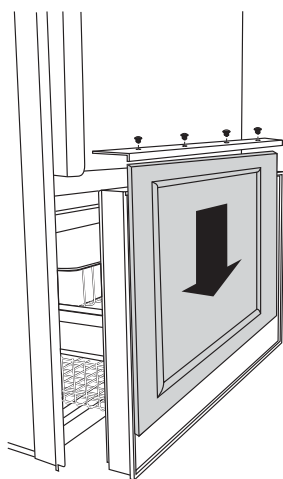
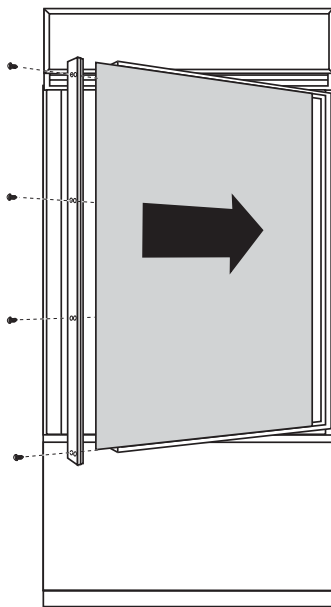


- De ser necesario, golpee con un bloque de madera hasta que el panel se deslice por debajo de la pieza del marco superior.
- Vuelva a ensamblar el marco inferior. Ajuste los tornillos.

# Instrucciones de instalación - Instalación nivelada del Refrigerador con Freezer Inferior

## PASO 10 INSTALE LOS PANELES DE PUERTA

- Abra la puerta hasta 90°.
- Retire los 8 tornillos que sostienen el marco, y levante y retire el marco. Conserve los tornillos.

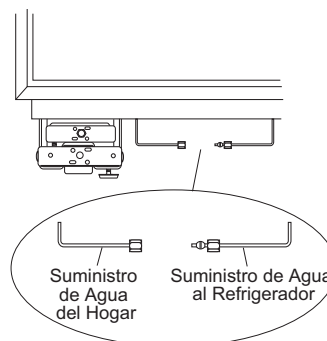


- Las manijas a medida deberán ser usadas para una instalación nivelada. La manija deberá estar correctamente asegurada al panel revestido, antes de deslizar el panel sobre el marco.
- El fabricante del gabinete suministrará la manija a medida y los materiales.
- Deslice el panel revestido dentro del marco de la puerta.
- Vuelva a instalar el marco asegurando el mismo con los 8 tornillos conservados en los pasos previos.
- Siga los mismos procedimientos para instalar el panel del cajón.

## PASO 11 REALICE LA CONEXIÓN AL SUMINISTRO DE AGUA

**⚠ ADVERTENCIA** Realice la conexión a un suministro de agua potable únicamente.

- Encuentre y traiga la tubería al frente del gabinete.
- Abra y deje correr el agua a fin de eliminar desechos del suministro. Deje correr alrededor de un cuarto de galón de agua por la tubería a un balde; luego cierre el suministro de agua.



### Tubería de Cobre:

- Coloque una tuerca de 1/4" y una abrazadera de refuerzo (provista) sobre ambos extremos de la tubería de cobre. Inserte la tubería en la unión con la unidad y ajuste la tuerca a la unión.
- Abra el suministro de agua para controlar que no haya pérdidas.

### Tubería SmartConnect™:

**NOTA:** La única tubería de plástico aprobada por Monogram es suministrada en los Kits de Tuberías para Refrigerador de SmartConnect™. No use ninguna otra tubería de suministro de agua plástica, ya que la tubería se encuentra bajo presión en todo momento. Otros tipos de plásticos podrán sufrir fisuras o roturas con el paso del tiempo y ocasionar problemas con el agua en su hogar.

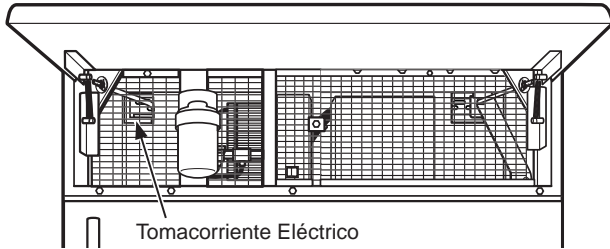
- Inserte el extremo moldeado de la tubería en la conexión del refrigerador. Ajuste la tuerca de compresión hasta que quede fijada sólo con la presión manual.
- Realice un ajuste adicional con un giro de llave. ¡Un ajuste excesivo podrá ocasionar pérdidas!
- Abra el suministro de agua para controlar que no haya pérdidas.

**NOTA:** Asegúrese de que un exceso de la longitud de la tubería no interfiera con el cierre del cajón o con la instalación del zócalo.

# Instrucciones de instalación - Instalación nivelada del Refrigerador con Freezer Inferior

## PASO 12 CONECTE LA CORRIENTE

- Asegúrese de que el cable de corriente esté enchufado en el receptáculo.



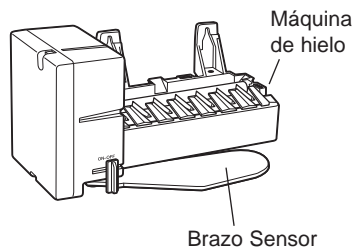
- Asegúrese de que la corriente que va al refrigerador está activada, abriendo la puerta del refrigerador para ver si las luces interiores están encendidas.
- Los controles de temperatura están preconfigurados en 37°F (2.78°C) para la sección de comidas frescas y en 0°F (-17.78°C) para el freezer.
- Permita que se establezca durante 24 horas antes de realizar ajustes.

## PASO 13 ENCIENDA LA MÁQUINA DE HIELO

### ⚠ PRECAUCIÓN

Evite el contacto con las partes en movimiento del mecanismo expulsor o con el elemento de calefacción (ubicado en la parte inferior de la máquina de hielo) que expulsa los cubos. No coloque los dedos ni las manos en el mecanismo de la máquina de hielo automática mientras el freezer se encuentre enchufado.

- La máquina de hielo comenzará a funcionar automáticamente.
- Asegúrese de que nada interfiera con la extensión del interruptor de energía.
- Descarte el primer balde lleno de cubos de hielo.
- Para apagar la máquina de hielo, consulte la Instalación Estándar.

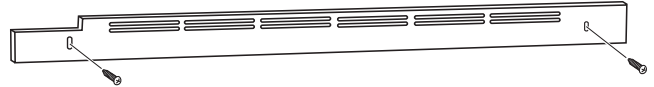


## PASO 14 INSTALE EL ZÓCALO

- Se podrá instalar un zócalo a medida que coincida o complemente los muebles que estén alrededor.

**IMPORTANTE:** Este zócalo a medida NO deberá cubrir las ranuras de ventilación horizontales del zócalo de fábrica provisto con el refrigerador original y deberá ser 1 5/8" más largo a cada lado. La altura final se deberá reducir una vez que la unidad se encuentre nivelada.

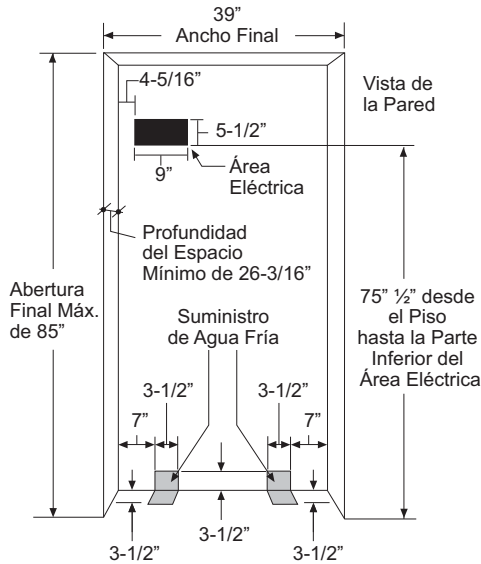
- Adhiera el ensamble del zócalo al refrigerador usando los dos (2) tornillos suministrados.



# **Instrucciones de Instalación de Sólo Refrigerador y Sólo Freezer**

# Guía de Diseño - Instalación Nivelada de Sólo Refrigerador y Sólo Freezer

## EL ESPACIO DE INSTALACIÓN



### Ubicaciones de Agua y Electricidad

Los suministros eléctricos y de agua deberán ser ubicados como se muestra.

### Profundidad del Espacio Debajo de un Sofito:

Cuando se instale debajo de un sofito, este último no podrá exceder la profundidad de instalación mostrada de 26 3/16" (66.52 cm).

### La Profundidad del Espacio Deberá Ser de un Mínimo de 26 3/16" (66.52 cm).

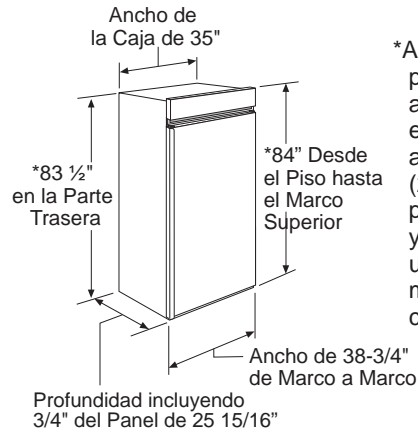
Se requiere el uso de ristreles de madera para una instalación nivelada. Consulte sobre los Ristreles Laterales en la página 45.

### Especificaciones adicionales

- Se requiere un suministro de corriente de 115 voltios, 60Hz., y 15 o 20 amperes. Se recomienda el uso de un circuito individual derivado o de un disyuntor correctamente conectados a tierra. Instale un receptáculo eléctrico de 3 patas correctamente conectado a tierra en la pared trasera. El receptáculo eléctrico deberá estar ubicado en la pared trasera como se muestra.
- El suministro de agua puede ingresar a la abertura a través del piso o la pared trasera. La tubería de agua deberá ser de cobre y tener un diámetro externo de 1/4" o ser del kit QuickConnect entre la tubería de agua fría y la ubicación de la conexión de agua, siendo lo suficientemente larga como para alcanzar el frente de la unidad. Se requiere la instalación de una válvula de cierre fácilmente accesible en la tubería de agua.

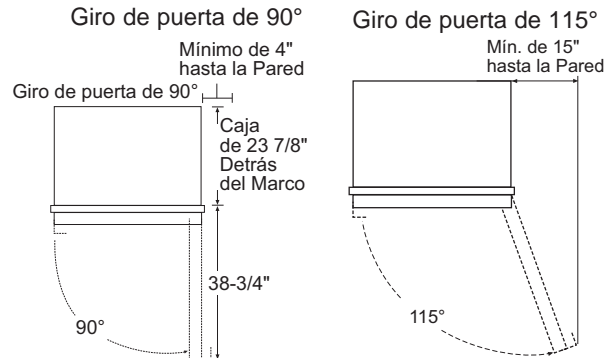
## DIMENSIONES Y ESPACIOS LIBRES

### Espacios Libres del Producto



\*Altura del embalaje. El producto puede ser ajustado para caber en un espacio de una altura máxima de 85" (215.9 cm). Use las patas niveladoras y las ruedas para un ajuste de altura máxima de 1" (2.54 cm).

Estas unidades están equipadas con un dispositivo de detención de la puerta de 3 posiciones. El giro de puerta de 115° original de fábrica se podrá ajustar a 90° si el espacio libre hasta los gabinetes adyacentes o paredes es restringido.

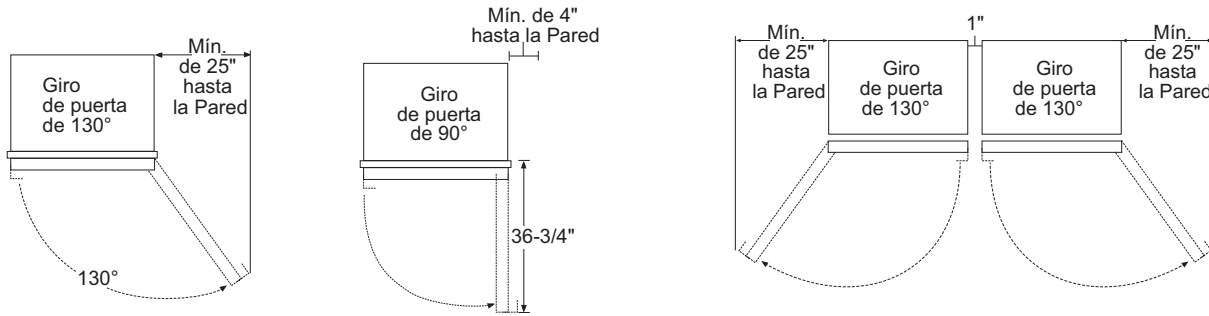


Para un giro de puerta de 90°, deje un espacio libre mínimo de 4" (10.16 cm) hasta una pared. Si se usa la detención de puerta en 90°, se mantendrá el acceso a las bandejas pero su retiro estará restringido.



# Guía de Diseño - Instalación Nivelada de Sólo Refrigerador y Sólo Freezer

## ESPACIOS NECESARIOS



Estas unidades están equipadas con un dispositivo de detención de la puerta de 3 posiciones. El giro de puerta de 115° original de fábrica se podrá ajustar a 90° o 130° si el espacio libre hasta los gabinetes adyacentes o las paredes es restringido.

### Cuando la instalación se realice en una esquina:

Cuente con un espacio mínimo de 15" (38.1 cm) para un giro de puerta completo de 115°. Deje 15" (38.1 cm) para el retiro de las bandejas. Deje un espacio mínimo de 4" (10.16 cm)

cuando el giro de la puerta se ajuste para una apertura de 90°, a fin de tener acceso a las bandejas, pero que el retiro de las bandejas quede restringido.

### Espacios para Múltiples Instalaciones con Puerta Única

En una instalación de lado a lado de un producto con giro de puerta de izquierda a derecha, se requiere un espacio de 1" (2.54 cm) entre las unidades. Ordene un Kit Unificado ZKBFN720NII para un aspecto integrado en los 2 modelos de panel a medida instalados uno al lado del otro.

## INSTALACIÓN

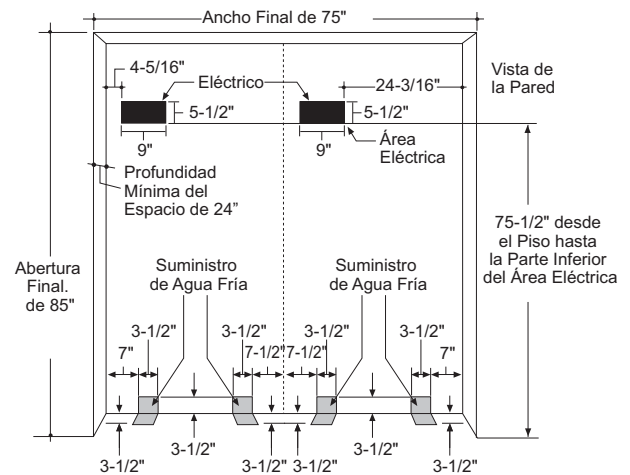
### Kit de Unificación ZKBFN720NII

- Si instalará dos unidades, de lado a lado, el espacio de instalación deberá ser de 75" (190.5 cm) de ancho.

**NOTA:** Se podrá requerir un ancho adicional de la abertura cuando se usen paneles laterales. Agregue el grosor del panel lateral al espacio final para calcular el ancho de la instalación.

- El agua y las ubicaciones eléctricas para cada producto deberán ser ubicadas como se muestra.
- Se recomienda un suministro de corriente aparte de 115 voltios, 60Hz., y 15 o 20 amperes para cada producto.

**NOTA:** Al implementar una instalación dual, el borde de la caja estándar instalado de fábrica deberá ser usado sobre el lateral de la manija de cada unidad y el borde de la caja nivelado que se suministra con el kit ZKFN con nivelación al ras se deberá usar del lado con bisagras de cada unidad.

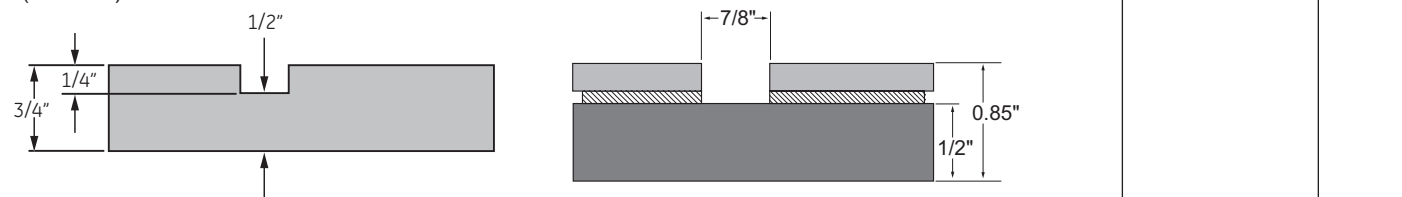


## GUÍA DE DISEÑO DE LA MANIJA A MEDIDA

Las manijas a medida deben ser usadas para instalaciones niveladas. Para la instalación de la manija a medida, los agujeros taladrados en la parte trasera de los paneles decorativos deberán asegurar que el grosor del material de 1/2" (1.27 cm) permanezca para el soporte de la manija.

**NOTA:** El agujero taladrado no deberá superar el diámetro de 1" (2.54 cm).

La distancia mínima desde el extremo lateral de la manija hasta el centro de la manija deberá ser de 3 1/2" (8.89 cm) como se muestra.



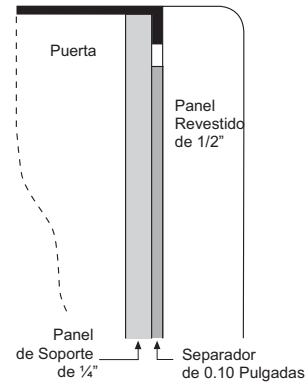
# Guía de Diseño - Instalación Nivelada de Sólo Refrigerador y Sólo Freezer

## DIMENSIONES DEL PANEL A MEDIDA DE 1/2" (1.27 cm)

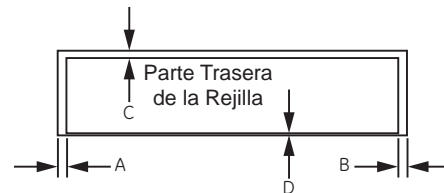
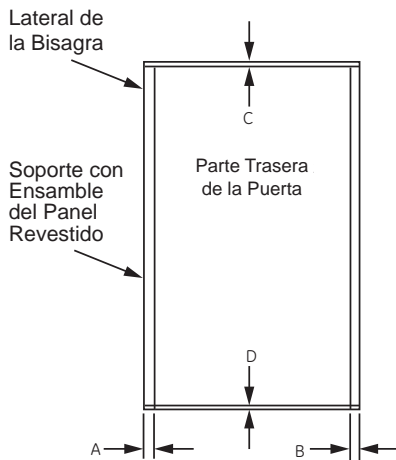
Para un aspecto más personalizado, los paneles revestidos podrán ser instalados en modelos recortados. El panel revestido deberá ser asegurado sobre un panel de soporte de un grosor de 1/4" (0.63 cm), que se deslice sobre el recorte. Se deberá colocar un panel separador de 0.10" (0.25 cm) entre el revestimiento y el panel de soporte.

### Ensamble los paneles con pegamento y tornillos.

- Centre el panel separador sobre el panel de soporte, de izquierda a derecha y de arriba hasta abajo. Asegure los paneles con pegamento.
- Consulte el siguiente cuadro para ubicar el panel de soporte en el panel revestido. Asegure el panel revestido al panel de soporte con pegamento y tornillos. Los tornillos deberán ser encastrados en el panel de soporte.



$$.250" + .10" + .50" = .850" \text{ Grosor Total del Panel} \\ (0.635 \text{ cm} + 0.254 \text{ cm} + 1.27 \text{ cm} = 2.159)$$



	A	B	C	D
Panel de la Puerta	2-1/16" (5.24 cm)	2-1/16" (5.24 cm)	3/16" (0.47 cm)	1/4" (0.63 cm)
Panel de la Rejilla	2-1/16" (5.24 cm)	2-1/16" (5.24 cm)	1-7/16" (3.65 cm)	1/8" (0.31 cm)

**NOTA IMPORTANTE:** El peso total máximo para los paneles ensamblados:

- Panel de la puerta de comidas frescas – 75 libras (34.02 cm)
- Panel de la Rejilla – 18 libras (8.16 cm)

### Dimensiones del Panel

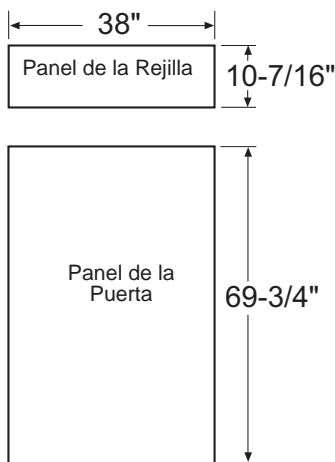
	Puerta de Comidas Frescas	Rejilla
Panel de Soporte de 1/4" (0.63 cm)	69-5/16" x 33-7/8" (176.05 cm x 86.04 cm)	8-7/8" x 33-7/8" (22.54 cm x 86.04 cm)
Panel Separador de 0.10" (0.25 cm)	67-15/16" x 32-1/2" (172.56 cm x 82.55 cm)	7-5/8" x 32-1/2" (16.37 cm x 82.55 cm)
Panel Revestido de 1/2" (1.27 cm)	69-3/4" x 38" (177.16 cm x 96.52 cm)	10-7/16" x 38" (26.51 cm x 96.52 cm)

# Guía de Diseño - Instalación Nivelada de Sólo Refrigerador y Sólo Freezer

## DIMENSIONES DEL PANEL DECORATIVO DE 3/4" (1.9 cm)

Para una apariencia más a medida, los paneles revestidos podrán ser instalados para dar un aspecto nivelado con los gabinetes que se encuentran alrededor. El panel revestido deberá poseer un grosor de 3/4" (1.9 cm). El panel se adhiere a los soportes incluidos para brindar el montaje a la puerta del electrodoméstico.

**NOTA:** Recomendamos que los paneles decorativos posean esquinas internas y extremos redondeados o biselados por el fabricante de gabinetes, a fin de evitar extremos puntiagudos en los paneles. Los extremos a ser tratados deberán incluir el extremo superior, el inferior y los laterales de las bisagras.



**NOTA IMPORTANTE:** El peso total máximo para los paneles ensamblados:

- Panel de la Puerta – 67 libras (30.39 kg)
- Panel de la Rejilla – 18 libras (8.16 kg)

### ⚠ ADVERTENCIA



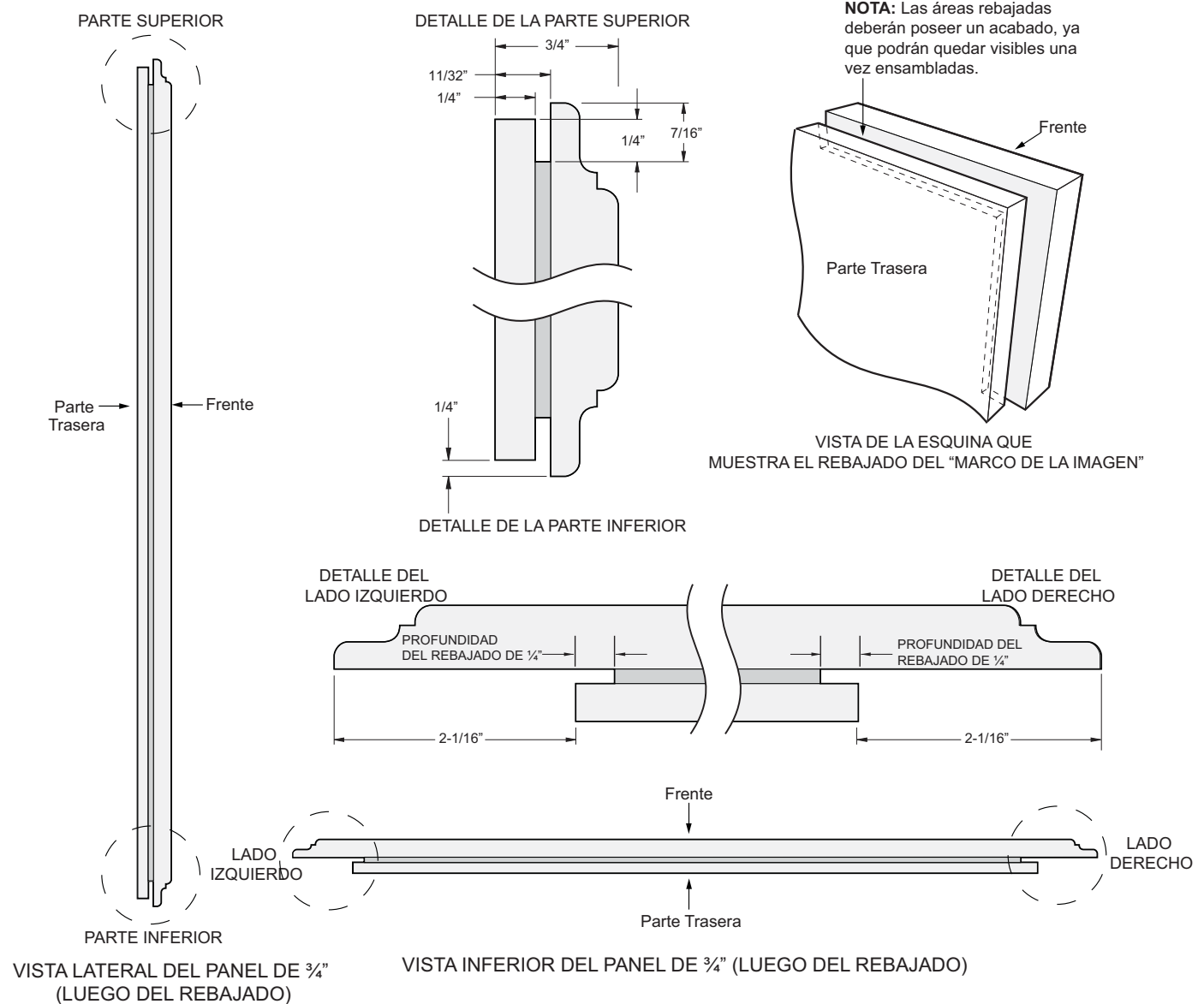
**Riesgo de Lastimadura con el Borde de la Puerta**

Una instalación inadecuada puede conducir a riesgos de pellizcos de dedos entre el borde lateral de la puerta y los gabinetes al utilizar la puerta, especialmente con los niños. A fin de minimizar este riesgo, usted deberá seguir las instrucciones de instalación para dimensiones de gabinetes, ensambles de bordes y esquinas de detención de puertas.

# Guía de Diseño - Instalación Nivelada de Sólo Refrigerador y Sólo Freezer

## REBAJADO DEL PANEL DE LA PUERTA ELEVADA 3/4" (1.9 cm)

Para un panel de puerta elevado de 3/4" (1.9 cm), se requiere un rebajado. La profundidad de la rebajadora es de 1/4" (0.63 cm) en todo el camino del panel trasero. Se requieren reducciones del ancho del panel de acuerdo con los diagramas que figuran a continuación. Esto creará el recorrido del "marco de la imagen" que se deslizará en el borde de la puerta adherida.

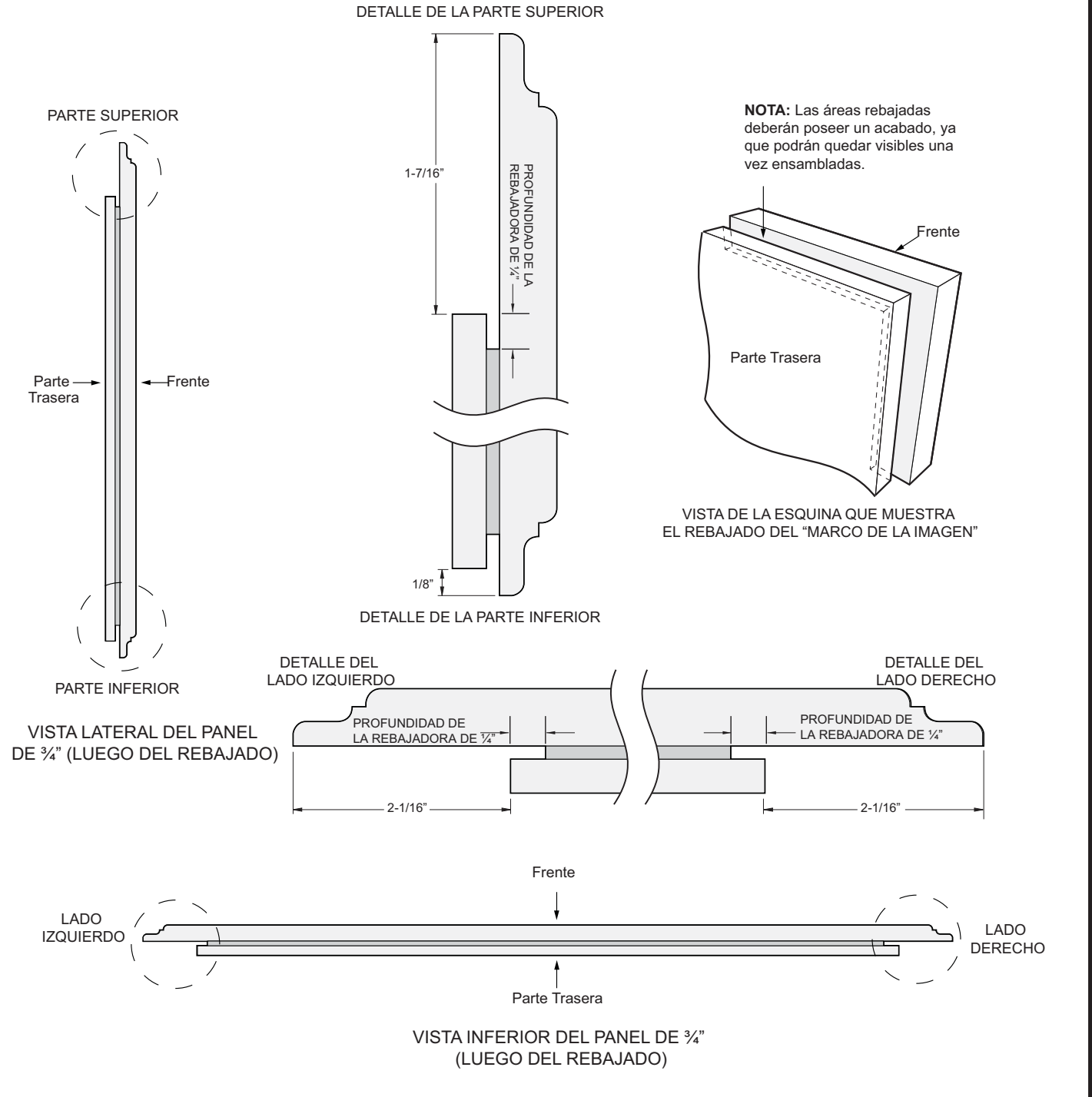


**NOTA:** Para los paneles contruidos con rieles y montantes (5 paneles), los rieles deberán poseer un ancho mínimo de 3" (7.62 cm) y los montantes 4" (10.16 cm).

# Guía de Diseño - Instalación Nivelada de Sólo Refrigerador y Sólo Freezer

## REBAJADO DEL PANEL DE LA REJILLA ELEVADA 3/4" (1.9 cm)

Para un panel de la rejilla elevado de 3/4" (1.9 cm), se requiere un rebajado. La profundidad de la rebajadora es de 1/4" (0.63 cm) en todo el camino del panel trasero. Se requieren reducciones del ancho de panel de acuerdo con los diagramas que figuran a continuación. Esto creará el recorrido del "marco de la imagen" que se deslizará en el borde de la rejilla adherida.

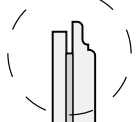


**NOTA:** Para los paneles construidos con rieles y montantes (5 paneles), los rieles deberán poseer un ancho mínimo de 3" (7.62 cm) y los montantes 4" (10.16 cm).

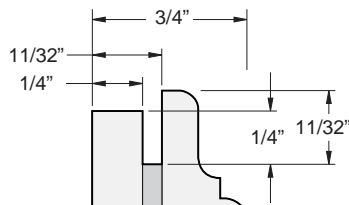
# Guía de Diseño - Instalación Nivelada de Sólo Refrigerador y Sólo Freezer

## REBAJADO DEL PANEL DE LA PUERTA ELEVADA DE 3/4" (1.9 cm) PARA UNA INSTALACIÓN UNIFICADA

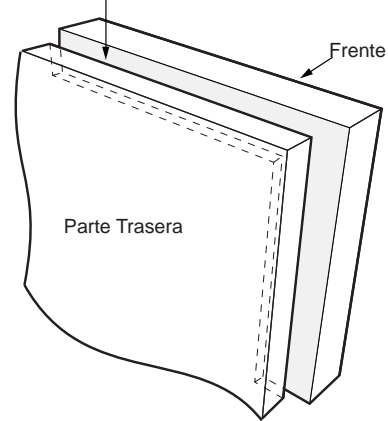
PARTE SUPERIOR



DETALLE DE LA PARTE SUPERIOR



**NOTA:** Las áreas rebajadas deberán poseer un acabado, ya que podrán quedar visibles una vez ensambladas.



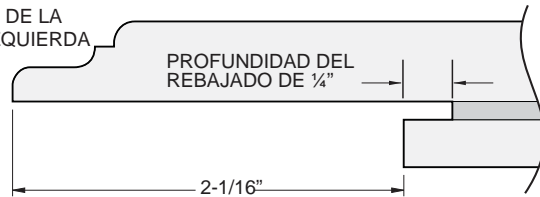
VISTA DE LA ESQUINA QUE MUESTRA EL REBAJADO DEL "MARCO DE LA IMAGEN"

Parte Trasera ← Frente

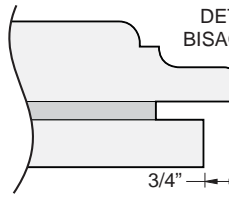


DETALLE DE LA PARTE INFERIOR

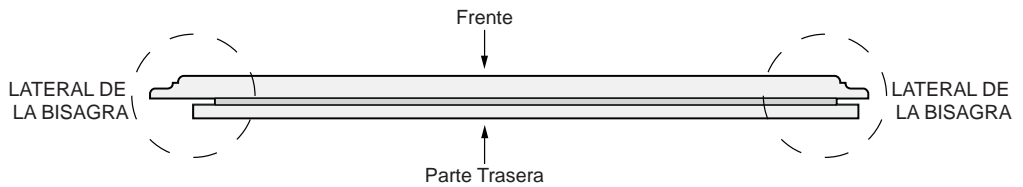
DETALLE DE LA BISAGRA IZQUIERDA



DETALLE DE LA BISAGRA DERECHA



PARTE INFERIOR



VISTA LATERAL DEL PANEL DE 3/4" (LUEGO DEL REBAJADO)

VISTA INFERIOR DEL PANEL DE 3/4" (LUEGO DEL REBAJADO)

# Guía de Diseño - Instalación Nivelada de Sólo Refrigerador y Sólo Freezer

## INSTALACIÓN

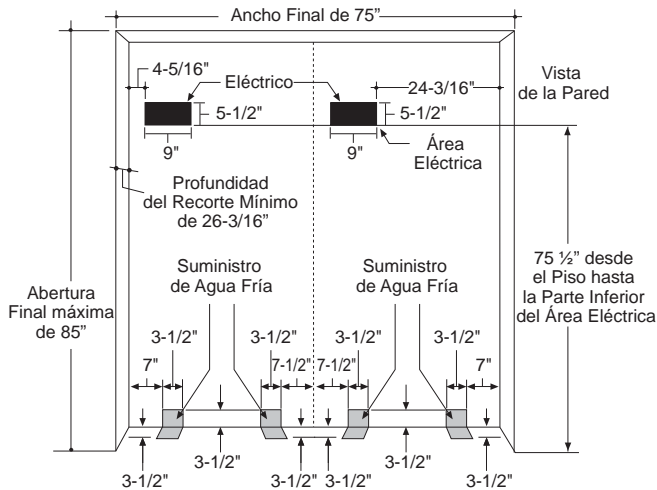
### Kit Unificado ZKBFN720NII

- Si instalará dos unidades, lado a lado, el espacio de instalación deberá ser de 75" (190.5 cm) de ancho.

**NOTA:** Se podrá requerir un ancho de recorte adicional cuando se usen paneles laterales. Agregue el grosor del panel lateral al recorte final para calcular el ancho en bruto.

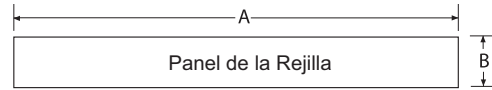
- El agua y las ubicaciones eléctricas para cada producto deberán ser ubicadas como se muestra.
- Se recomienda un suministro de corriente aparte de 115 voltios, 60Hz., y 15 o 20 amperes para cada producto.

**NOTA:** Al implementar una instalación dual, el marco de la carcasa estándar instalado de fábrica deberá ser usado sobre el lateral de la manija de cada unidad, y el marco de la caja nivelada suministrada deberá ser usada sobre el lateral de la bisagra de cada unidad.



## KIT DE UNIFICACIÓN ZKBFN720NII

El kit unificado ZKBFN720NII brinda la instalación de un panel con rejilla con marco o revestido.

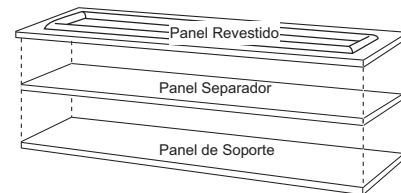


**NOTA:** Para los paneles de 3/4" (1.91 cm), use las mismas instrucciones de rebajado que en la instalación simple, que figura en la página 42.

Dimensiones del Panel a Medida		
Panel a Medida	A (Ancho)	B (Altura)
de 3/4" (1.91 cm)	74" (187.96 cm)	10-7/16" (26.51 cm)
Dimensiones del Panel Revestido		
Panel de Soporte de 1/4" (0.63 cm)	A (Ancho)	B (Altura)
	69-7/8" (177.48 cm)	8-7/8" (22.54 cm)
Panel Separador de 0.10" (0.25 cm)	68-1/2" (173.99 cm)	7-5/8" (19.37 cm)
Panel Liso de 1/2" (1.27 cm)	74" (187.396 cm)	10-7/16" (26.51 cm)

**NOTA IMPORTANTE:** El peso máximo de la rejilla unificada es de 25 libras (11.24 kg).

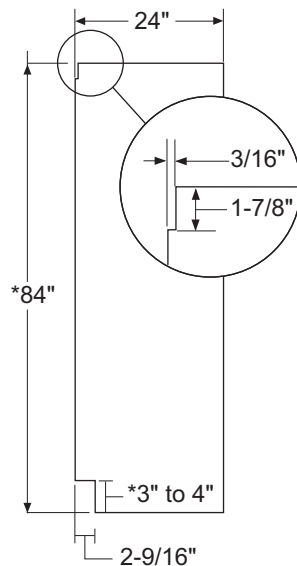
Ensamble los paneles revestidos del mismo modo que el panel de la puerta.



## PANELES LATERALES

Los paneles laterales deberán ser usados siempre que los laterales de la unidad queden expuestos. Los paneles laterales de 1/4" (0.63 cm) se deslizarán en el recorte de la caja lateral. Asegure los paneles a la unidad con cinta de sujeción de velcro. Ordene los paneles laterales al fabricante de gabinetes.

- Haga un agujero en la esquina frontal derecha como se muestra, a fin de dejar espacio para las teclas de la esquina frente al recorte lateral.



## DIMENSIÓN DEL ZÓCALO A MEDIDA

Para hacer un zócalo a medida, use como plantilla el zócalo suministrado (H) del kit de unificación. El zócalo a medida deberá ser 1 5/8" más largo en ambos extremos en relación al zócalo suministrado (H) del kit de unificación.

## DIMENSIONES DEL PANEL DE PUERTA UNIFICADO

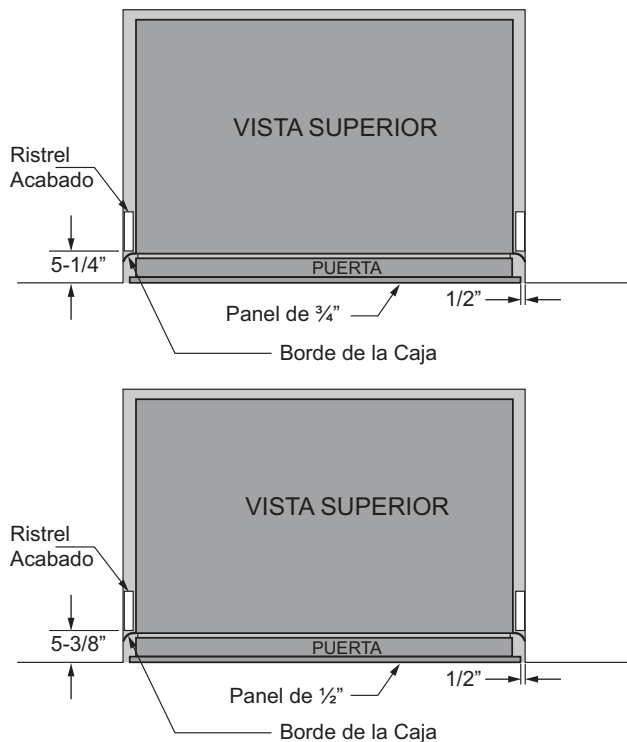
Las dimensiones del panel de puerta para una instalación doble deberán ser de 69 3/4" (177.16 cm) x 36 7/8" (93.66 cm). Para los paneles de 3/4" (1.90 cm), siga el mismo procedimiento de rebajado de acuerdo con las instrucciones que figuran en la página 43.



# Guía de Diseño - Instalación Nivelada de Sólo Refrigerador y Sólo Freezer

## RISTRELES LATERALES

Se requieren ristreles de madera para su instalación vertical a ambos lados de la abertura del gabinete, a fin de brindar un tope de profundidad al refrigerador cuando éste sea instalado en la abertura.



## UBICACIÓN DEL REFRIGERADOR

- No instale el refrigerador en lugares donde la temperatura sea inferior a los 55°F (13°C). Éste no funcionará con la frecuencia suficiente como para mantener las temperaturas apropiadas.
- No instale el refrigerador en lugares donde la temperatura sea superior a los 100°F (37°C). Éste no funcionará correctamente.
- No instale el refrigerador en una ubicación expuesta al agua (lluvia, etc.) o en contacto directo con la luz solar.
- Instale el mismo en un piso lo suficientemente fuerte como para soportarlo completamente cargado.

# Instrucciones de Instalación - Instalación Nivelada de Sólo Refrigerador y Sólo Freezer

## HERRAMIENTAS Y MATERIALES NECESARIOS

- Tijera para hojalata para cortar las bandas
- Destornillador Phillips nº2
- Escalera de dos hojas
- Taladro y brocas de 1/2" y 3/16"
- Balde
- Llave de tubo de 1/4", 1/2", 7/16"
- Nivel
- Gafas de seguridad
- Carro manual para electrodomésticos
- Pinzas
- Cortatubos
- Detector de montantes
- Llave de boca de 7/16" y 1 1/4"
- Tubería de cobre para suministro de agua de 1/4" o kits de Tuberías para Refrigerator SmartConnect™.
- Válvula de cierre de agua (opcional pero recomendada)
- Paneles a medida para paneles de puerta y rejilla
- Tornillos para asegurar la unidad a los gabinetes
- Cintas de ajuste de velcro para paneles laterales de 1/4" (0.63 cm)

## HARDWARE SUMINISTRADO CON LA UNIDAD

- Tapón del bypass del filtro de agua
- Soportes antivolcaduras
- 3 tornillos tirafondos
- 2 pasadores de chaveta
- 4 arandelas
- 5 tornillos con resorte

## PISO

Para una instalación correcta, este producto se deberá ubicar en una superficie nivelada de material duro que posea la misma altura en el resto del piso. Esta superficie deberá ser lo suficientemente fuerte como para resistir el peso de un refrigerador o freezer totalmente cargado, o aproximadamente 1200 libras (140 kg) por unidad.

**NOTA:** Proteja el acabado del piso. Corte una sección amplia de la caja de cartón y coloque la misma debajo del producto sobre el cual se encuentra trabajando.

**NOTA:** No recomendado para la instalación en pisos alfombrados.

## CONEXIÓN A TIERRA DE LA UNIDAD

### ⚠ ADVERTENCIA Riesgo de Descarga Eléctrica

Si no se siguen estas instrucciones, se podrá producir la muerte, incendios o descargas eléctricas.

El cable de corriente de este electrodoméstico cuenta con un enchufe de 3 cables (conexión a tierra) que se conecta a un tomacorriente de pared estándar de 3 cables (conexión a tierra) para minimizar el riesgo de posibles descargas eléctricas por parte del mismo.

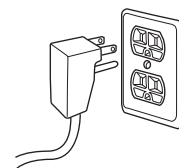
Contrate a un electricista calificado para que controle el tomacorriente y el circuito eléctrico, a fin de asegurar que el enchufe esté correctamente conectado a tierra.

En caso de contar con un tomacorriente de pared de 2 cables, es su responsabilidad y obligación reemplazarlo por un tomacorriente de pared de 3 cables correctamente conectado a tierra.

NUNCA, BAJO NINGUNA CIRCUNSTANCIA, CORTE NI ELIMINE EL TERCER CABLE (TIERRA) DEL CABLE DE CORRIENTE.

NO USE UN ENCHUFE ADAPTADOR PARA CONECTAR EL REFRIGERADOR A UN TOMACORRIENTE DE 2 PATAS.

NO USE UN PROLONGADOR CON ESTE ELECTRODOMÉSTICO.



# Instrucciones de Instalación - Instalación Nivelada de Sólo Refrigerador y Sólo Freezer

## PASO 1 RETIRE EL EMBALAJE

### ⚠ ADVERTENCIA



#### Riesgo de Caída

El producto es mucho más pesado en su parte superior que en su parte inferior – tenga cuidado al moverlo. Al usar un carro manual, sosténgalo de costado únicamente.

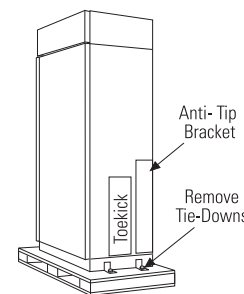
- De forma cuidadosa, corte las bandas en la parte superior e inferior, y retire el cartón externo.
- Vuelva a deslizar hacia afuera los postes de las esquinas (2).
- Deslice el cartón hacia afuera de la parte superior del gabinete.

**NOTA:** ¡NO ES NECESARIO APOYAR EL GABINETE PARA RETIRAR EL ANTIDESLIZANTE!

**NOTA:** NO INTENTE HACER RODAR LA UNIDAD FUERA

DEL ANTIDESLIZANTE.

- La unidad se encuentra asegurada al antideslizante por 4 cintas de amarre ranuradas. Retire los cuatro tornillos de 5/16" de los canales de la base en los amarres.
- Retire el zócalo y deje el mismo a un costado para la instalación final.
- Levante la unidad fuera del antideslizante con un carro para electrodomésticos. Sostenga el electrodoméstico de los costados.
- Retire los cuatro tornillos de 7/16" que aseguran los soportes del amarre al antideslizante.



## PASO 2 INSTALE EL SUMINISTRO DE AGUA

### ⚠ ADVERTENCIA

Realice la conexión a un

suministro de agua potable únicamente.

- Se requiere un suministro de agua fría para el funcionamiento de la máquina de hielos automática. La presión del agua deberá ser de entre 40 y 120 p.s.i. (275-827 kPa).
- Haga circular una tubería de cobre con un diámetro externo de 1/4" o una tubería de plástico SmartConnect™ entre el suministro de agua fría del hogar y la ubicación de la conexión de agua.
- La tubería deberá poseer una extensión suficiente como para llegar hasta el frente de la unidad. Deje una cantidad de tubería suficiente como para hacer una inclinación que llegue hasta la conexión de la tubería de agua.

**NOTA:** La única tubería de plástico aprobada por Monogram es suministrada en los Kits de Tuberías para Refrigerador de SmartConnect™. No use ningún otro suministro de agua plástico, ya que el suministro se encuentra bajo presión en todo momento. Otros tipos de plásticos podrán sufrir fisuras o roturas con el paso del tiempo y ocasionar problemas con el agua en su hogar.

Los Kits de Tuberías para Refrigerador de SmartConnect™ están disponibles en las siguientes longitudes:

- 2' (.6 m) WX08X10002
- 8' (2.4 m) WX08X10006
- 15' (4.6 m) WX08X10015
- 25' (7.6 m) WX08X10025

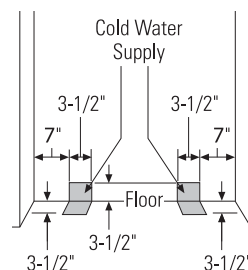
**Cierre el suministro principal de agua.**

Abra el grifo más cercano durante el tiempo suficiente como para despejar la tubería de agua.

- Instale una válvula de cierre entre la válvula de agua de la máquina de hielos y la tubería de agua fría en un sótano o gabinete. La válvula de cierre deberá estar ubicada donde sea fácilmente accesible.
- Abra el suministro de agua principal y deje correr la suciedad. Deje correr aproximadamente un cuarto de galón de agua a través de la tubería a un balde. Cierre el suministro de agua desde la válvula de cierre.

**NOTA:** Las válvulas de cierre tipo montura están incluidas en muchos kits de suministro de agua. Antes de su adquisición, asegúrese de que la válvula tipo montura cumpla con los códigos de plomería locales.

**NOTA:** Se deberá cumplir con los Códigos de Plomería del Commonwealth de Massachusetts 248CMR. Las válvulas tipo montura son ilegales y su uso está prohibido en Massachusetts. Consulte a un plomero matriculado.



## PASO 3 INSTALE LOS PANELES LATERALES

Saltee este paso cuando no use los paneles laterales.

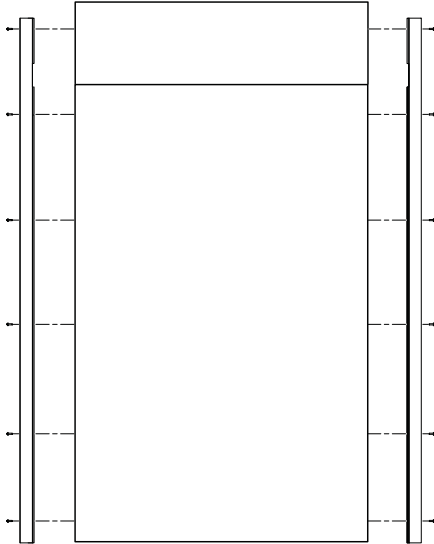
Si usará paneles laterales de 1/4", deberán ser insertados en el borde de la caja.

Ajuste los paneles a la unidad con cintas de sujeción de velcro, antes de establecer la unidad en su posición.

# Instrucciones de Instalación - Instalación Nivelada de Sólo Refrigerador y Sólo Freezer

## PASO 4 INSTALE EL BORDE DE LA CAJA

La unidad es entregada con el borde de la caja adherido para la instalación estándar. El borde de la caja para una instalación nivelada se brinda con el kit ZKFN. Retire el borde de la caja instalado de fábrica. Instale el borde de la caja nuevo, usando las piezas del borde de la caja del lado derecho y del lado izquierdo y los tornillos del borde de la caja. Adhiera el borde de la caja a cada lado de ésta, como se muestra en la ilustración, colocando los tornillos del borde de la caja en los agujeros provistos a cada lado de la misma.



## PASO 5 INSTALE DEL SOPORTE ANTIVOLCADURAS

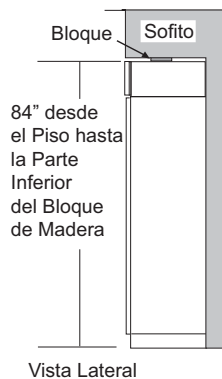
### ⚠️ ADVERTENCIA



### Riesgo de Caídas

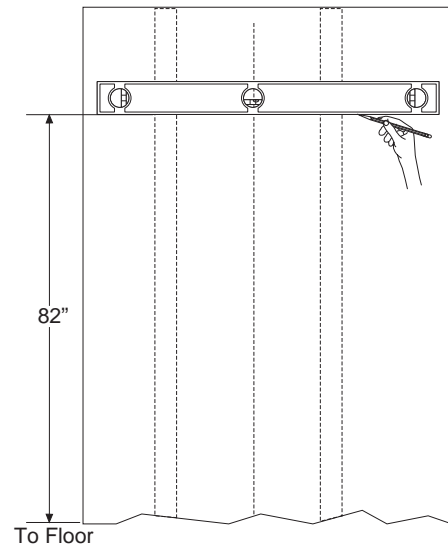
La unidad es pesada en su parte superior y se deberá asegurar a fin de evitar posibles inclinaciones hacia adelante.

- Corte un bloque de 1" x 4" (2.54 x 10.16 cm), 35" (88.9 cm) de longitud.
- Mida y haga una marca debajo del sofito, 5 1/4" desde el extremo frontal del gabinete.
- Asegure el bloque de madera debajo del sofito. Desde la parte inferior del bloque hasta el piso acabado deberá medir 84" (213.36 cm). Lea la ilustración.

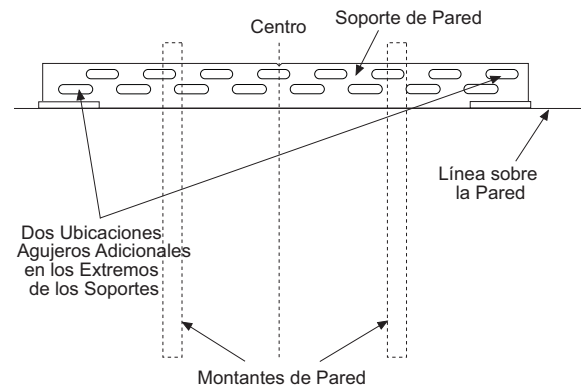


## PASO 5 INSTALACIÓN DEL SOPORTE ANTIVOLCADURAS (Cont.)

- El kit suministrado con la unidad cuenta con 2 tornillos tirafondos y tornillos con resortes. El soporte de pared será adherido a la pared en 4 posiciones.
- Mida la apertura donde la unidad será instalada. Marque el centro con una línea vertical.
- Mida 82" (208.28 cm) desde el piso. Marque este punto sobre la pared.
- Con un nivel, dibuje una línea horizontal sobre la pared a esta altura.



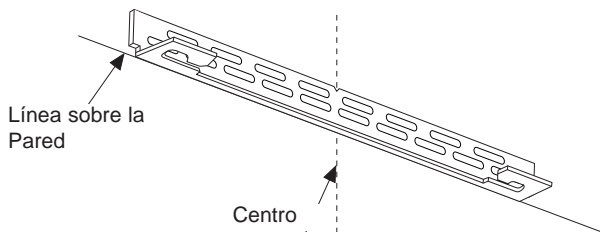
- Ubique por lo menos 2 montantes en la pared trasera. Marque estos puntos sobre la línea horizontal.
- Coloque la parte inferior del soporte de pared con las lengüetas en la línea horizontal. Alinee la abertura central sobre el soporte con la línea central sobre la pared.
- El soporte de pared antivolcaduras cuenta con una serie de agujeros. Seleccione 2 agujeros que coincidan con los montantes ubicados. Asegúrese de que los agujeros seleccionados se encuentren en el centro de los montantes. Marque la pared en estos puntos.



# Instrucciones de Instalación - Instalación Nivelada de Sólo Refrigerador y Sólo Freezer

## PASO 5 INSTALACIÓN DEL SOPORTE ANTIVOLCADURAS (Cont.)

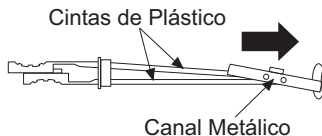
- Marque un agujero adicional en cada extremo del soporte. Si uno de los montantes se encuentra más cerca del extremo del soporte, marque un agujero adicional hacia el centro del soporte.
- Realice agujeros de 1/2" (1.27 cm) en el tablero de pared, en las ubicaciones marcadas para el montante de los resortes (no las marcas de los montantes).
- Realice agujeros de 3/16" (0.47 cm) en los montantes de madera donde se realizaron las marcas. Si se trata de una construcción de montantes de acero, realice agujeros de 1/2" (1.27 cm) en los montantes donde se realizaron las marcas. Usted usará 2 resortes con los montantes metálicos.



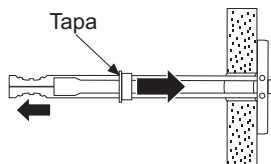
### Instale los Tornillos con Resortes de Pared:

Los tornillos con resortes de pared y los tornillos pueden ser ordenados como el Kit de Servicio n° WR49X10193. Los tornillos con resortes de pared se instalan sobre el panel de yeso y los montantes metálicos para lograr estabilidad. Instale los tornillos con resortes de pared del siguiente modo:

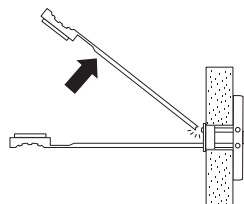
- Realice agujeros de 1/2" (1.27 cm) sobre las marcas de la pared realizadas en los agujeros sobre los extremos del soporte de pared.
- Sostenga el canal metálico de forma plana contra las cintas de plástico y deslice el canal a través del agujero.



- De forma suave, empuje hacia atrás sobre los extremos de las cintas de plástico para hacer que el canal descansa de forma nivelada detrás de la pared.
- Sostenga los extremos de las tiras con una mano y deslice la tapa de plástico a lo largo de las cintas, hasta que el reborde de la tapa quede nivelado con la pared.

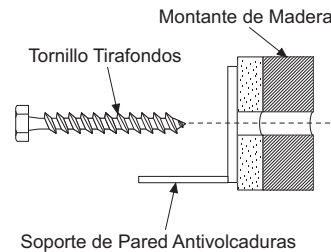


- Coloque el pulgar entre las cintas de plástico e incline las mismas hacia arriba y abajo para desenganchar las mismas de la pared.

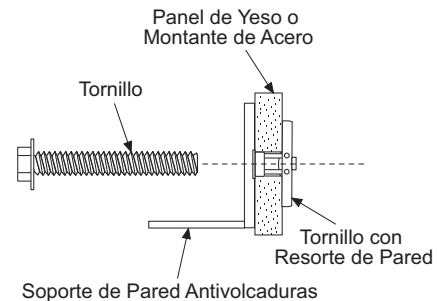


### Instale los Tornillos y Pernos:

- Solicite a alguien que sostenga el soporte de pared centrado en su posición con cada uno de los agujeros alineados con la abertura correcta en el soporte y realice la nivelación con la línea horizontal.



- Inserte los tornillos tirafondos a través del soporte y en el montante. Ajuste con una llave.



- Inserte los tornillos en el tornillo con resorte de forma manual hasta que quede ajustado. Ajuste con una llave.

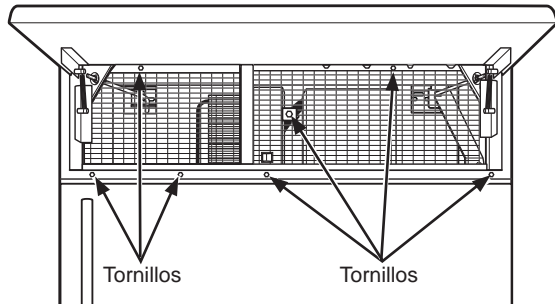
# Instrucciones de Instalación - Instalación Nivelada de Sólo Refrigerador y Sólo Freezer

## PASO 5 INSTALE EL SOPORTE ANTIVOLCADURAS (cont.)

Retire las Rejillas para Acceder a los Ganchos de Bloqueo Antivolcaduras

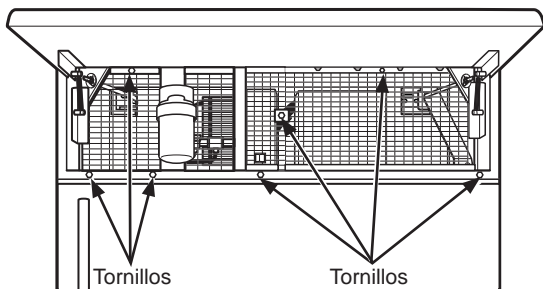
### Unidad de Comida Fresca

- Abra la puerta de acceso.
- Retire los 4 tornillos de la rejilla de la derecha y los 3 tornillos de la rejilla de la izquierda.
- Empuje la parte inferior de las rejillas hacia adelante, abajo y afuera para retirar las mismas.



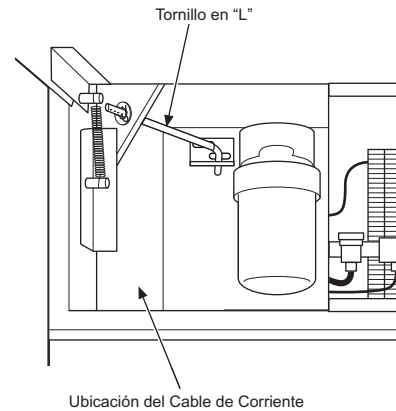
### Unidad del Freezer

- Abra la puerta de acceso.
- Retire los 4 tornillos de la rejilla de la derecha y los 3 tornillos de la rejilla de la izquierda.
- Empuje la parte inferior de la rejilla hacia adelante, abajo y afuera para retirar la misma.



### Cable de Corriente

Ubique el cable de corriente dentro de la cavidad izquierda. Si no fue ajustado de modo que se pueda acceder al enchufe de forma fácil, hágalo ahora.



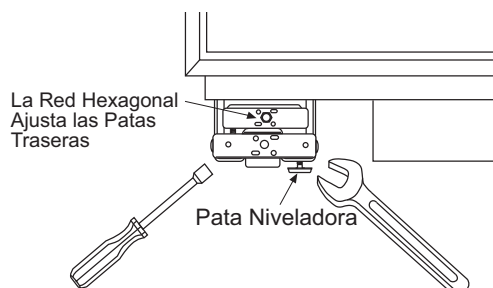
### Mueva la Unidad Hasta la Posición Final

- Mueva el electrodoméstico hasta su posición de instalación final. Alinee las lengüetas sobre el soporte de pared con las aberturas en la parte trasera de la unidad.
- La unidad posee tornillos en "L" en las esquinas superior izquierda y derecha del compartimento de acceso. Estos tornillos se entrelazaran con el soporte de pared y asegurarán la unidad usando las arandelas y los pasadores de chaveta del kit de materiales, una vez que la unidad haya sido nivelada y se encuentre en su posición final.

## PASO 6 NIVELE LA UNIDAD

Todos los modelos cuentan con 4 puntos de nivelación. La parte frontal está apoyada sobre patas niveladoras; la parte trasera está apoyada sobre ruedas ajustables. Es posible acceder a ambas desde la parte frontal de la unidad.

- A fin de nivelar la parte trasera de la unidad, gire la tuerca hexagonal de 7/16" que se encuentra ubicada sobre las ruedas frontales. Gire en dirección horaria para subir la unidad, y en dirección antihoraria para bajar la misma.



- Para nivelar la parte frontal, use una llave de boca de 1-1/4".
- Ajuste la altura de la unidad para que coincida con la abertura del recorte de la instalación de 84-1/2" (214.63 cm). La unidad deberá estar nivelada de forma vertical entre los muebles de cocina.

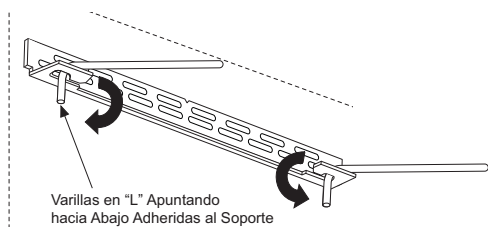
Las ruedas niveladoras traseras y las patas niveladoras frontales cuentan con un límite de ajuste de altura máxima de 1" (2.54 cm). Si en la instalación se requiere una altura superior a 84-1/2" (214.63 cm), el instalador deberá elevar la unidad sobre una lámina de contrachapado o correderas. También se podrá agregar un ajuste a los gabinetes sobre la parte superior de la abertura, a fin de acortar esta última. Si intenta elevar la unidad más de 1" (2.54 cm), dañará las patas niveladoras frontales y las ruedas niveladoras traseras.



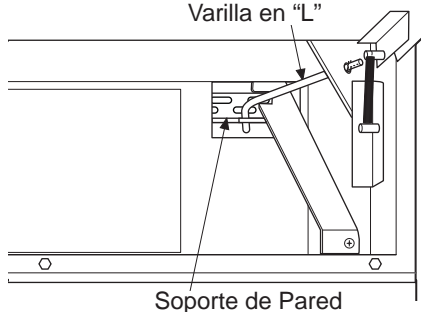
# Instrucciones de Instalación - Instalación Nivelada de Sólo Refrigerador y Sólo Freezer

## PASO 7 ASEGURE LA UNIDAD A LA PARED

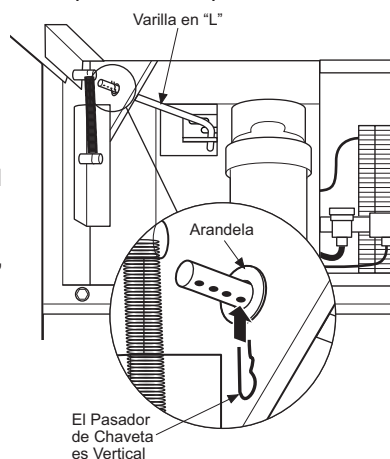
- Las varillas en "L" se podrán encontrar en las esquinas superior izquierda y derecha de la unidad, en el compartimiento de acceso. Observe el compartimiento de acceso para asegurarse de que las varillas estén alineadas con el soporte antivolcaduras.



- Hay 2 arandelas y un pasador de chaveta por varilla. Retire las arandelas y el pasador de chaveta del extremo de la varilla.
- Gire y mueva la varilla en "L" en la ranura de la lengüeta del soporte antivolcaduras. Una vez que se encuentre en la ranura, gire la varilla en "L" de modo que la parte del gancho apunte hacia abajo.

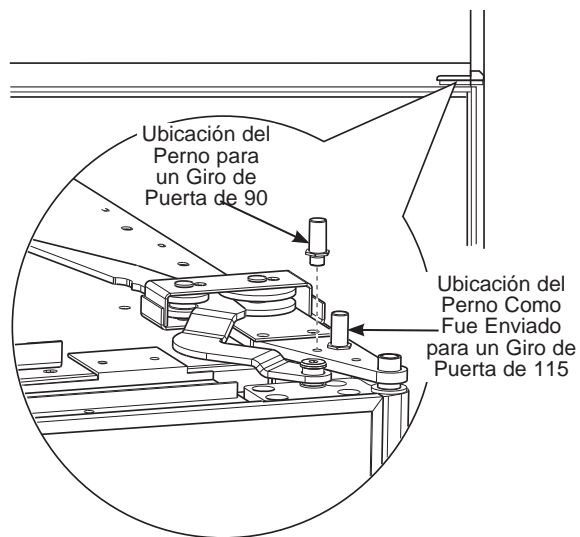


- Los agujeros del extremo frontal de la varilla se deberán encontrar en una posición vertical. Haga esto en ambos lados.
- Empuje hacia afuera el extremo de la varilla para constatar que esté bien asegurada al soporte.
- Ubique el agujero sobre la varilla que se encuentre más cerca de la unidad. Se deberá colocar un pasador de chaveta a través de este agujero para asegurar la varilla. Si este agujero parece estar demasiado alejado para un ajuste perfecto contra la unidad, agregue las arandelas una por vez hasta que el perno calce de forma ajustada en el agujero.
- Alinee la sección recta del perno con el agujero del lado inferior de la varilla. Empuje el perno hacia arriba hasta que calce en su posición. Se podrán usar pinzas. **NOTA:** El pasador de chaveta deberá estar en posición vertical cuando este paso sea completado, a fin de asegurar que la varilla en "L" esté adherida al soporte.
- Controle que la varilla se encuentre ajustada, empujando hacia adelante. Si la varilla se mueve, retire el pasador de chaveta y coloque otra arandela en la varilla. Vuelva a insertar el perno.
- Reemplace el panel de la rejilla.



## PASO 8 AJUSTE EL GIRO DE LA PUERTA

**NOTA:** Este electrodoméstico cuenta con una detención de la puerta de 3 posiciones. Cuando el espacio no permita que la puerta gire completamente hasta los 115°, podrá cambiar el giro de la puerta a una apertura de 90°. **Si la apertura de la puerta es satisfactoria para su situación durante la instalación, saltee este paso.**



- Abra la capucha de la bisagra para ver la bisagra superior. Observe las ubicaciones de los pernos de detención de la puerta. El perno fue instalado de fábrica en la posición de 115°.
- Cierre la puerta. Use las pinzas para desenroscar la detención de la puerta y vuelva a realizar la instalación en la posición de 90 grados.

### ⚠ ADVERTENCIA



**Riesgo de Lastimadura**

#### con el Borde de la Puerta

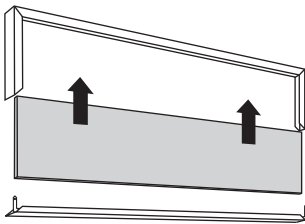
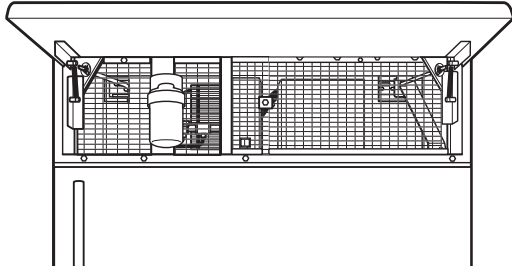
Una instalación inadecuada puede conducir a riesgos de pellizcos de dedos entre el borde lateral de la puerta y los gabinetes al utilizar la puerta, especialmente con los niños. A fin de minimizar este riesgo, usted deberá seguir las instrucciones de instalación para dimensiones de gabinetes, ensambles de bordes y esquinas de detención de puertas.



# Instrucciones de Instalación - Instalación Nivelada de Sólo Refrigerador y Sólo Freezer

## PASO 9 INSTALE EL PANEL DE LA REJILLA

- Eleve el panel de acceso hasta la posición de detención.

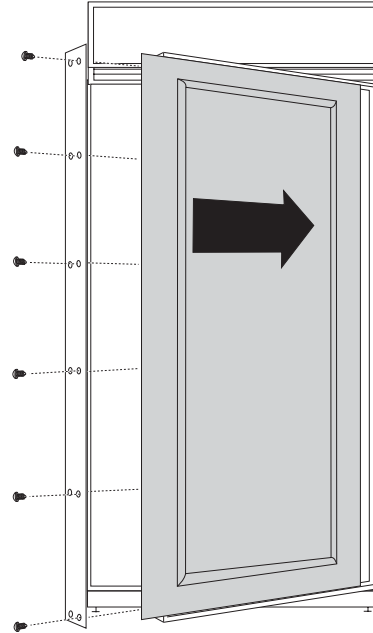


- Afloje los tornillos sobre el borde lateral detrás del marco. Retire el borde inferior.
- Deslice el panel sobre el panel de soporte metálico y sobre el borde.
- De ser necesario, golpee con un bloque de madera hasta que el panel se deslice por debajo de la pieza del borde superior.
- Vuelva a ensamblar el borde inferior. Ajuste los tornillos.

## PASO 10 INSTALE LOS PANELES REVESTIDOS

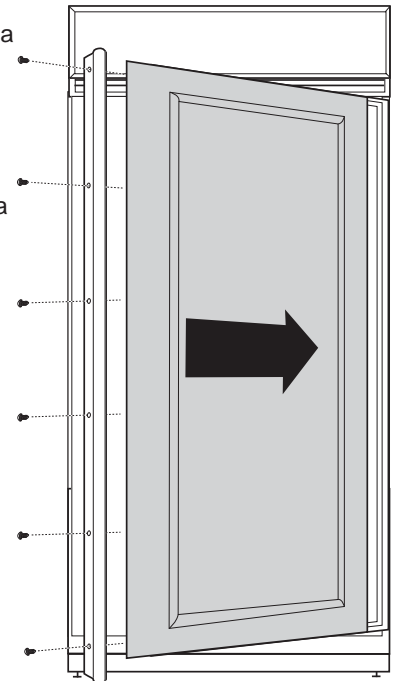
### Instale el Panel de la Puerta:

- Abra la Puerta a 90°.
- Quite los 12 tornillos que sostienen el marco, y retire el marco. Conserve los tornillos.
- Deslice el panel revestido dentro del marco de la puerta.



### Manijas a Medida

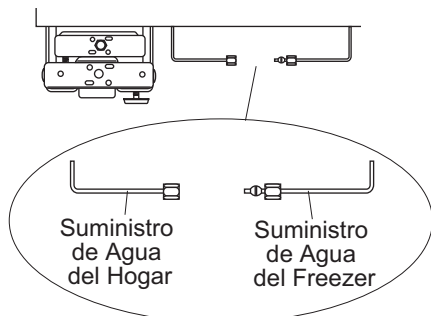
- Las manijas a medida deberán ser usadas para una instalación nivelada. La manija deberá estar correctamente asegurada al panel revestido, antes de deslizar el panel sobre el borde.
- El fabricante del gabinete suministrará la manija a medida y los materiales.
- Deslice el panel de la puerta ensamblado dentro del borde.
- Asegure la nueva pieza de la tapa del borde, usando los tornillos guardados.
- Vuelva a instalar el borde asegurando el mismo con los 12 tornillos separados en pasos anteriores.



# Instrucciones de Instalación - Instalación Nivelada de Sólo Refrigerador y Sólo Freezer

## PASO 11 CONECTE EL SUMINISTRO DE AGUA (MODELOS CON FREEZER ÚNICAMENTE)

**⚠ ADVERTENCIA** Realice la conexión a un suministro de agua potable únicamente.



- Encuentre y traiga la tubería al frente del gabinete.
- Abra y deje correr el agua a fin de eliminar desechos del suministro. Deje correr alrededor de un cuarto de galón de agua por la tubería a un balde, y luego cierre el suministro de agua.

### Tubería de Cobre:

- Coloque una tuerca de 1/4" y una abrazadera de refuerzo (provista) sobre ambos extremos de la tubería de cobre. Inserte la tubería en el accesorio de unión con la unidad y ajuste la tuerca a la unión.
- Abra el suministro de agua para controlar que no haya pérdidas.

### Tubería SmartConnect™:

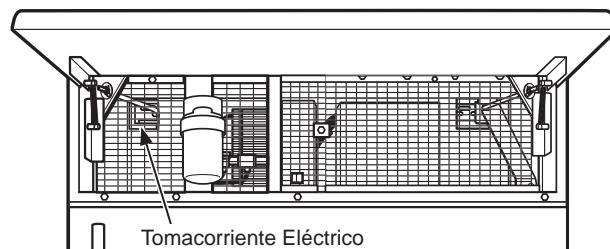
**NOTA:** La única tubería de plástico aprobada por Monogram es suministrada en los Kits de Tuberías para Refrigerador de SmartConnect™. No use ningún otro suministro de agua plástico, ya que el suministro se encuentra bajo presión en todo momento. Otros tipos de plásticos podrán sufrir fisuras o roturas con el paso del tiempo y ocasionar problemas con el agua en su hogar.

- Inserte el extremo moldeado de la tubería en la conexión del refrigerador o del freezer. Ajuste la tuerca de compresión hasta que quede fijada sólo con la presión manual.
- Realice un ajuste adicional con un giro de llave. ¡Un ajuste excesivo podrá ocasionar pérdidas!
- Abra el suministro de agua para controlar que no haya pérdidas.

**NOTA:** Asegúrese de que un exceso de la longitud de la tubería no interfiera con la instalación del zócalo.

## PASO 12 CONECTE LA CORRIENTE

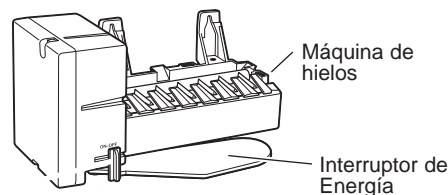
- Asegúrese de que el cable de corriente esté enchufado en el receptáculo.



- Asegúrese de que la corriente que va al refrigerador está activada, abriendo la puerta del refrigerador para ver si las luces interiores están encendidas.
- Los controles de temperatura están preconfigurados en 37°F (2.78°C) para la sección de comidas frescas y en 0°F (-17.78°C) para el freezer.
- Permita que se establezca durante 24 horas antes de realizar ajustes.

## PASO 13 INICIE LA MÁQUINA DE HIELOS (MODELOS CON FREEZER ÚNICAMENTE)

**⚠ PRECAUCIÓN** Evite el contacto con las partes en movimiento del mecanismo expulsor o con el elemento de calefacción (ubicado en la parte inferior de la máquina de hielos) que expulsa los cubos. No coloque los dedos ni las manos en el mecanismo de la máquina de hielos automática mientras el freezer se encuentre enchufado.



- La máquina de hielos comenzará a funcionar automáticamente.
- Asegúrese de que nada interfiera con la extensión del interruptor de energía.
- Descarte el primer balde lleno de cubos de hielo.
- Para apagar la máquina de hielo, consulte la Instalación Estándar.

# Instrucciones de Instalación - Instalación Nivelada de Sólo Refrigerador y Sólo Freezer

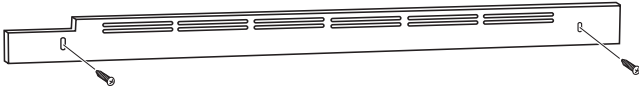
---

## PASO 14 INSTALE EL ZÓCALO

- Se podrá instalar un zócalo a medida que coincida o complemente los muebles que estén alrededor.

**IMPORTANTE:** Este zócalo a medida NO deberá cubrir las ranuras de ventilación horizontales del zócalo de fábrica provisto con el refrigerador original y deberá ser 1 5/8" más largo a cada lado. La altura final se deberá reducir una vez que la unidad se encuentre nivelada.

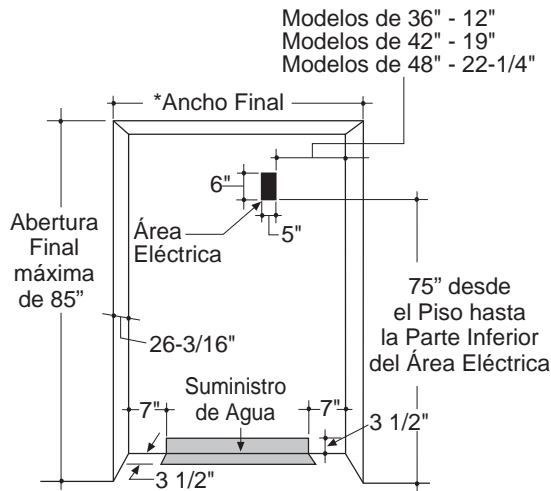
- Instale el ensamble del zócalo con los 2 tornillos provistos, ajuste hasta la altura deseada y ajuste los tornillos.



# **Instalación Nivelada para el Refrigerador de Lado a Lado**

# Guía de Diseño - Instalación Nivelada para el Refrigerador de Lado a Lado

## EL ESPACIO DE INSTALACIÓN



\*El ancho del espacio libre final deberá ser de:  
 39" (99.06 cm) para modelos de 36"  
 45" (114.3 cm) para modelos de 42"  
 51" (129.54 cm) para modelos de 48"

### Ubicaciones de Agua y Electricidad

La abertura deberá estar preparada con el suministro de electricidad y de agua ubicados como se muestra.

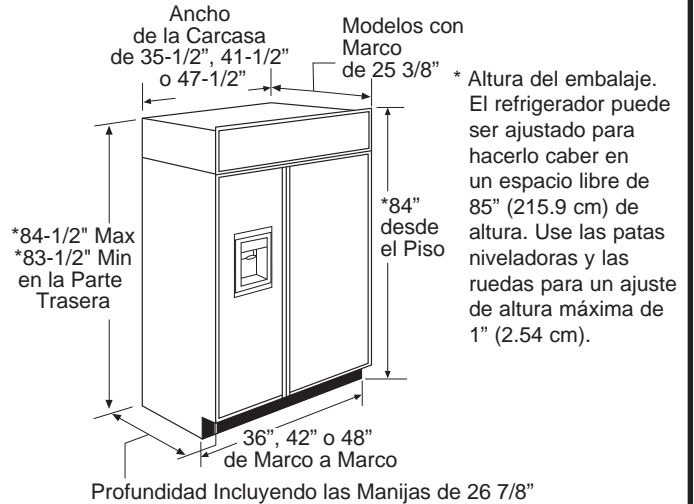
### La Profundidad del Espacio Deberá Ser de 26 3/16" (66.99 cm)

Se requiere el uso de ristreles de madera para una instalación nivelada. Consulte sobre los Ristreles Laterales en la página 27. Si se usarán paneles Revestidos de 3/4" (1.91 cm) con un giro de puerta de 90 grados, entonces la profundidad del espacio libre deberá ser de 26 1/4" (66.68 cm).

### Especificaciones adicionales

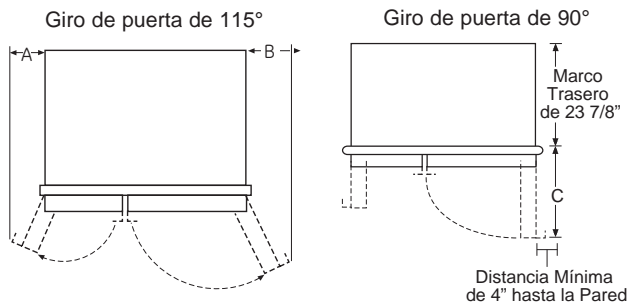
- Se requiere un suministro de corriente de 115 voltios, 60Hz., y 15 o 20 amperes. Se recomienda el uso de un circuito individual derivado o un disyuntor correctamente conectado a tierra. Instale un receptáculo eléctrico de 3 patas correctamente conectado a tierra en la pared trasera. El receptáculo eléctrico deberá estar ubicado en la pared trasera como se muestra.
- El suministro de agua puede ingresar a la abertura a través del piso o la pared trasera. Haga circular el kit de SmartConnect™ o una tubería de cobre con un diámetro externo de 1/4" entre la tubería de agua fría y la ubicación de la conexión de agua. La tubería deberá poseer una extensión suficiente como para llegar hasta el frente del refrigerador. Se requiere la instalación de una válvula de cierre fácilmente accesible en la tubería de agua.

## DIMENSIONES Y ESPACIOS LIBRES



### Espacios Libres del Producto

Estos refrigeradores están equipados con un dispositivo de detención de la puerta de 3 posiciones. El giro de la puerta de 115° original de fábrica se podrá ajustar a 90° si el espacio libre hasta los gabinetes adyacentes o paredes es restringido. Sólo la instalación estándar podrá ser ajustada a 130°.



\*Modelos de Acero Inoxidable de 4-5/8" y Ajustables. Series Profesionales de 5"

Modelos	A	B	C
36"	13" (33.02 cm)	15" (38.1 cm)	20-5/8" (52.39 cm)
42"	13" (33.02 cm)	19" (48.26 cm)	26-5/8" (67.63 cm)
48"	15" (38.1 cm)	20" (50.8 cm)	28-5/8" (72.71 cm)

Modelos con Paneles Únicamente: Deje un espacio libre mínimo para la puerta del freezer (Dimensión A) y para la puerta de comidas frescas (Dimensión B) para un giro de puerta de 115° y para permitir el retiro de la bandeja.

Para un giro de puerta de 90°, deje un espacio libre mínimo de 4" (10.16 cm) hasta una pared, cuando se trate de modelos con marco o de acero inoxidable. Deje un espacio libre mínimo de 5" (12.7 cm) para los modelos de las series profesionales. Si se usa la detención de puerta en 90°, se mantendrá el acceso a las bandejas pero su retiro estará restringido.

# Guía de Diseño - Instalación Nivelada para el Refrigerador de Lado a Lado

## Instrucciones Básicas de Personalización

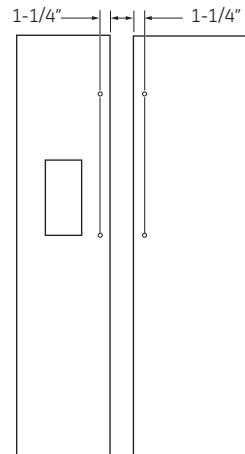
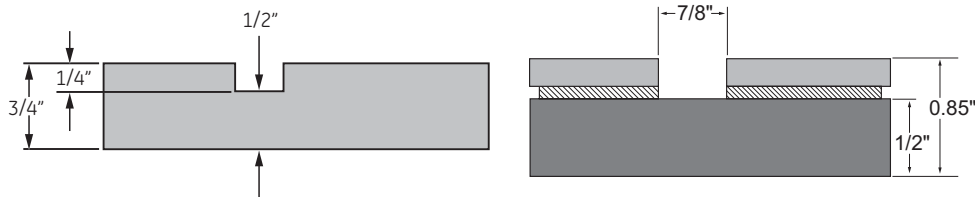
Estos refrigeradores fueron diseñados para la personalización con paneles decorativos. Se requiere una puerta a medida y paneles con rejilla para instalación en el espacio.

## GUÍA DE DISEÑO DE LA MANIJA A MEDIDA

Las manijas a medida deben ser usadas para instalaciones niveladas. Para la instalación de la manija a medida, los agujeros taladrados en la parte trasera de los paneles decorativos deberán asegurar que el grosor del material de  $\frac{1}{2}$ " (1.27 cm) permanezca para el soporte de la manija.

**NOTA:** El agujero taladrado no deberá superar 1" (2.54 cm) de diámetro.

La distancia mínima desde el extremo lateral de la manija hasta el centro de la manija deberá ser de  $1\frac{1}{4}$ " (3.18 cm) como se muestra.



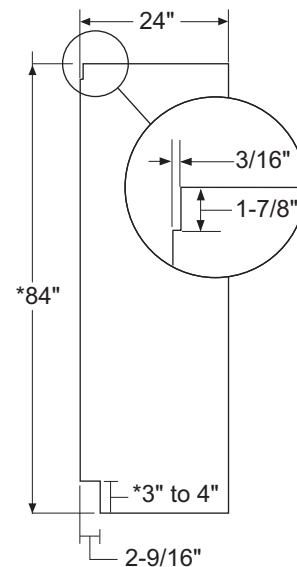
## UBICACIÓN DEL REFRIGERADOR

- No instale el refrigerador en lugares donde la temperatura sea inferior a los 55°F (13°C). Éste no funcionará con la frecuencia suficiente como para mantener las temperaturas apropiadas.
- No instale el refrigerador en lugares donde la temperatura sea superior a los 100°F (37°C). Éste no funcionará correctamente.
- No instale el refrigerador en una ubicación expuesta al agua (lluvia, etc.) o en contacto directo con la luz solar.
- Instale el mismo en un piso lo suficientemente fuerte como para soportarlo completamente cargado.

## PANELES LATERALES

Los paneles laterales deberán ser usados siempre que los laterales del refrigerador queden expuestos. Los paneles laterales de  $\frac{1}{4}$ " (0.63 cm) se deslizarán por el marco de la carcasa lateral. Asegure los paneles al refrigerador con cinta de sujeción de vecro. Ordene los paneles laterales al fabricante de gabinetes.

- Haga un agujero en la esquina frontal derecha como se muestra, a fin de dejar espacio para las teclas de la esquina frente al marco lateral.



\* Dependiendo de la altura de la instalación.

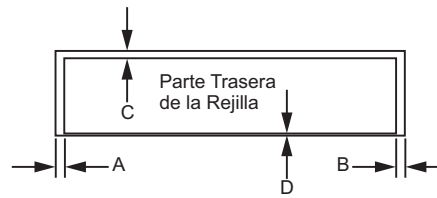
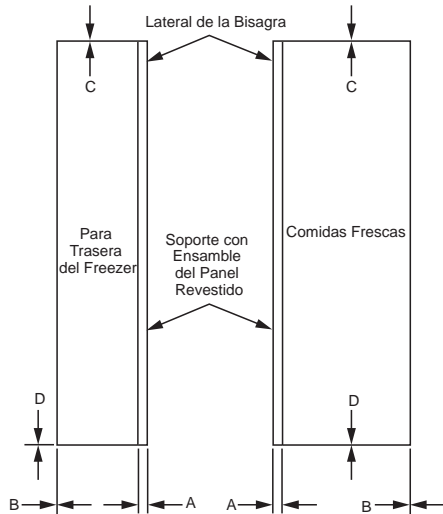
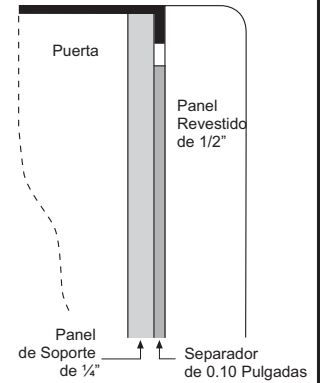
# Guía de Diseño - Instalación Nivelada para el Refrigerador de Lado a Lado

## DIMENSIONES DE LOS PANELES REVESTIDOS DE 1/2" (1.27 cm)

Para un aspecto más personalizado, los paneles revestidos podrán ser instalados en modelos con marco. El panel revestido deberá ser asegurado sobre un panel de soporte de un grosor de 1/4" (0.63 cm), que se deslice sobre el recorte. Se deberá colocar un panel separador de un grosor de 0.10" (0.25 cm) entre el panel revestido y el panel de soporte.

### Ensamble los paneles con pegamento y tornillos:

- Centre el panel separador sobre el panel de soporte, de izquierda a derecha y de arriba hacia abajo. Asegure los paneles con pegamento.
- Consulte el siguiente cuadro para ubicar el panel de soporte en el panel revestido. Asegure el panel revestido al panel de soporte con pegamento y tornillos. Los tornillos deberán ser encastrados en el panel de soporte.



$$.250" + .10" + .50" = .85"$$

$$0.63 + 0.25 + 1.27 = 2.16 \text{ cm}$$

de Grosor Total del Panel

	A	B	C	D
Comidas Frescas SxS	2-1/16"	1/4"	1/8"	1/8"
Freezer SxS	2-1/16"	1/4"	1/8"	1/8"
Rejilla SxS	2-1/16"	2-1/16"	1-15/32"*	7/32"

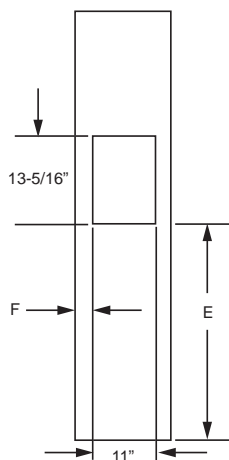
\*2" para modelos de 36"

### NOTA IMPORTANTE – MODELOS CON DISPENSADOR

Este kit se suministra con los 2 bordes del dispensador. El marco para la instalación nivelada está diseñado para ajustarse a un grosor total del panel de 0.85" (2.16 cm) o 0.75" (1.91 cm).

- Si el panel posee menos de 0.75" (1.91 cm), se podrá crear una brecha notoria alrededor del marco del dispensador.
- Si el panel posee mas de 1.100" (2.16 cm), el marco del dispensador no podrá quedar asegurado a la puerta.
- El panel revestido deberá ser construido de acuerdo con las especificaciones mostradas, a fin de lograr el grosor total adecuado.
- Corte la abertura del dispensador luego de haber ensamblado los paneles de soporte, espaciado y revestido.

### Dimensiones del Panel



Lado a lado de 36"	Comida Fresca	Freezer	Rejilla	Posición del Espacio Libre del Dispensador	
Panel de Soporte de 1/4" (0.63 cm)	68-3/8" x 18-9/16"	68-3/8" x 14-9/16"	33-7/8" x 9"	E	F
Panel Separador de 0.10" (0.25 cm)	67" x 17-9/16"	67" x 13-9/16"	33" x 8-3/8"		
Panel Revestido de 1/2" (1.27 cm)	68-5/8" x 20-7/8"	68-5/8" x 16-7/8"	38" x 11-3/16"	34-9/32"	3-15/16"
Lado a lado de 42"	Comida Fresca	Freezer	Rejilla	Posición del Espacio Libre del Dispensador	
Panel de Soporte de 1/4" (0.63 cm)	68-3/8" x 24-9/16"	68-3/8" x 14-9/16"	39-7/8" x 9-1/2"	E	F
Panel Separador de 0.10" (0.25 cm)	67" x 23-9/16"	67" x 13-9/16"	39" x 8-5/8"		
Panel Revestido de 1/2" (1.27 cm)	68-5/8" x 26-7/8"	68-5/8" x 16-7/8"	44" x 11-3/16"	34-9/32"	3-15/16"
Lado a lado de 48"	Comida Fresca	Freezer	Rejilla	Posición del Espacio Libre del Dispensador	
Panel de Soporte de 1/4" (0.63 cm)	68-3/8" x 26-9/16"	68-3/8" x 18-9/16"	45-7/8" x 9-1/2"	E	F
Panel Separador de 0.10" (0.25 cm)	67" x 25-9/16"	67" x 17-9/16"	45" x 8-5/8"		
Panel Revestido de 1/2" (1.27 cm)	68-5/8" x 28-7/8"	68-5/8" x 20-7/8"	50" x 11-3/16"	34-9/32"	5-15/16"

### NOTA IMPORTANTE: El peso máximo total para los paneles ensamblados:

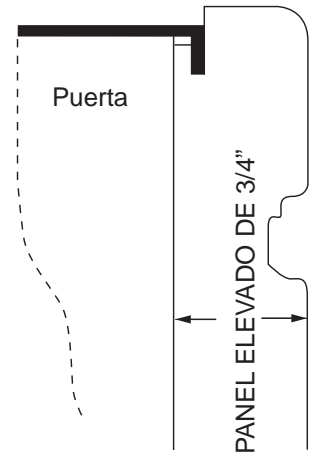
- Panel de la puerta de comidas frescas – 75 libras (34 kg)
- Panel de la puerta del Freezer – 53 libras (24 kg)
- Panel de la Rejilla – 18 libras (8.16 kg)



# Guía de Diseño - Instalación Nivelada para el Refrigerador de Lado a Lado

## DIMENSIONES DEL PANEL ELEVADO DE 3/4" (1.91 cm)

Para un aspecto más personalizado, los paneles revestidos podrán ser instalados en modelos con marco. Los paneles deberán poseer un grosor de 3/4" (1.91 cm) y ser rebajados de acuerdo con las siguientes instrucciones para garantizar un funcionamiento adecuado.

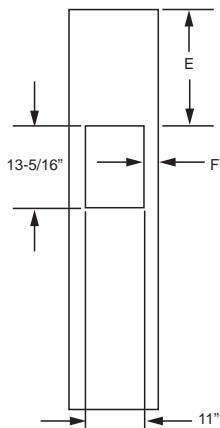


### NOTA IMPORTANTE – MODELOS CON DISPENSADOR

Este kit se suministra con los 2 bordes del dispensador. El marco para la instalación nivelada está diseñado para ajustarse a un grosor total del panel de 0.85" (2.16 cm) o 0.75" (1.91 cm).

- Si el panel posee menos de 0.75" (1.91 cm), se podrá crear una brecha notoria alrededor del marco del dispensador.
- Si el panel posee mas de 1.100" (2.16 cm), el marco del dispensador no podrá quedar asegurado a la puerta.
- El panel revestido deberá ser construido de acuerdo con las especificaciones mostradas, a fin de lograr el grosor total adecuado.

### Dimensiones del Panel



Lado a lado de 36"	Comida Fresca	Freezer	Rejilla	Posición del Espacio Libre del Dispensador	
				E	F
Panel Elevado de 3/4"	68-5/8" x 20-7/8"	68-5/8" x 16-7/8"	38" x 11-3/16"	34-9/32"	3-15/16"
Lado a lado de 42"	Comida Fresca	Freezer	Rejilla	Posición del Espacio Libre del Dispensador	
				E	F
Panel Elevado de 3/4"	68-5/8" x 26-7/8"	68-5/8" x 16-7/8"	44" x 11-3/16"	34-9/32"	3-15/16"
Lado a lado de 48"	Comida Fresca	Freezer	Rejilla	Posición del Espacio Libre del Dispensador	
				E	F
Panel Elevado de 3/4"	68-5/8" x 28-7/8"	68-5/8" x 20-7/8"	50" x 11-3/16"	34-9/32"	5-15/16"

**NOTA IMPORTANTE:** El peso máximo total para los paneles ensamblados:

- Panel de la puerta de comidas frescas – 75 lbs. (34 kg)
- Panel de la puerta del Freezer – 53 lbs. (24 kg)
- Panel de la Rejilla – 18 lbs. (3.16 kg)

## ⚠ ADVERTENCIA



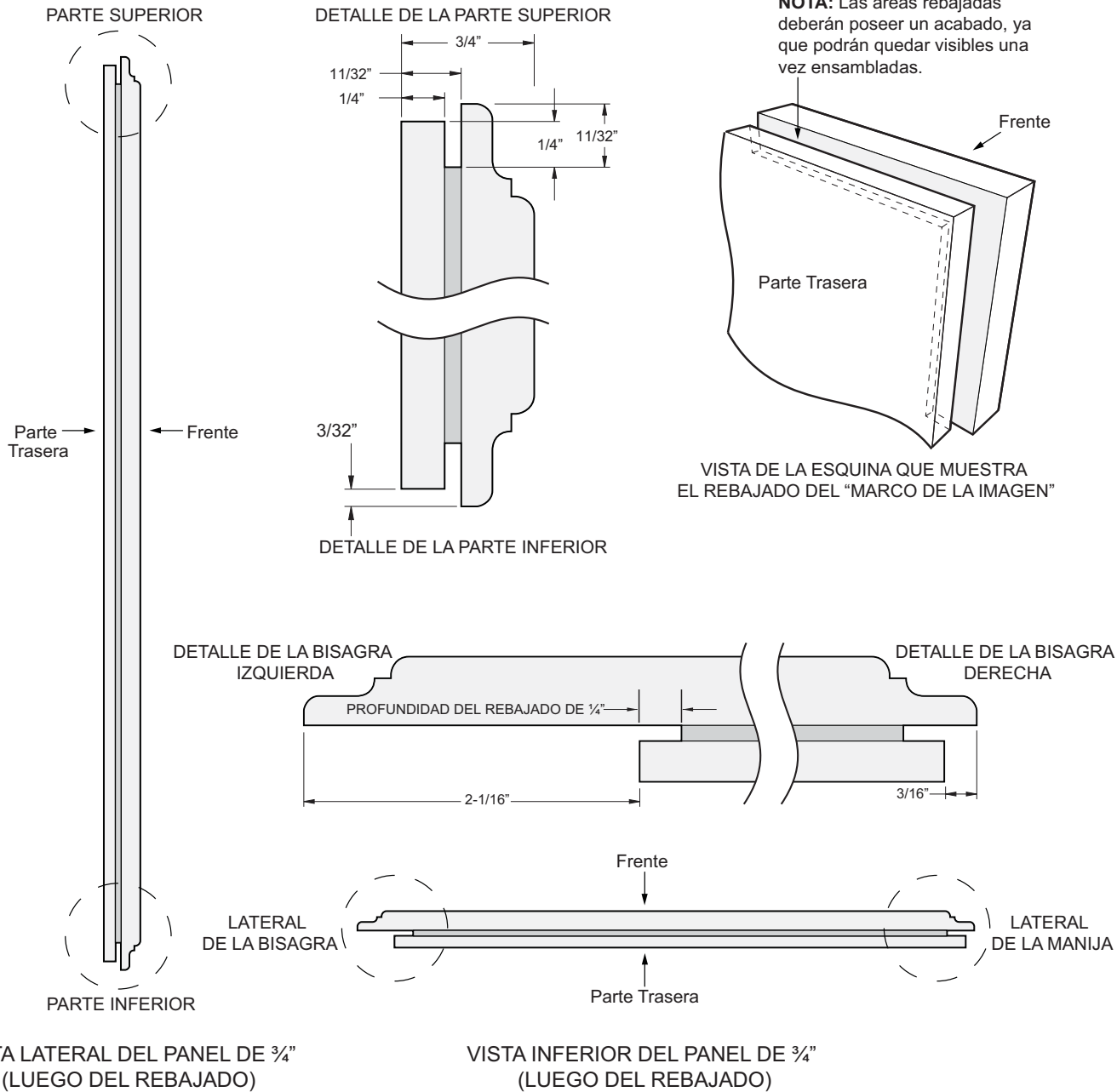
### Riesgo de Pellizcos con el Marco de la Puerta

Una instalación inadecuada podrá conducir a riesgos de pellizcos de dedos entre el marco lateral de la puerta y los gabinetes al utilizar la puerta, especialmente con los niños. A fin de minimizar este riesgo, usted deberá seguir las instrucciones de instalación para dimensiones de gabinetes, ensambles de marcos y ángulos de detención de puertas.

# Guía de Diseño - Instalación Nivelada para el Refrigerador de Lado a Lado

## REBAJADO DEL PANEL CON PUERTA ELEVADA DE 3/4" (1.91 cm)

Para un panel con puerta elevada de 3/4" (1,91 cm), se requiere un rebajado. La profundidad del rebajado es de 1/4" (0.63 cm) en todo el recorrido de la parte trasera del panel. Se requieren reducciones del ancho del panel de acuerdo con los diagramas que figuran a continuación. Esto creará el rebajado del "marco de la imagen" que se deslizará sobre el marco de la puerta adherida.

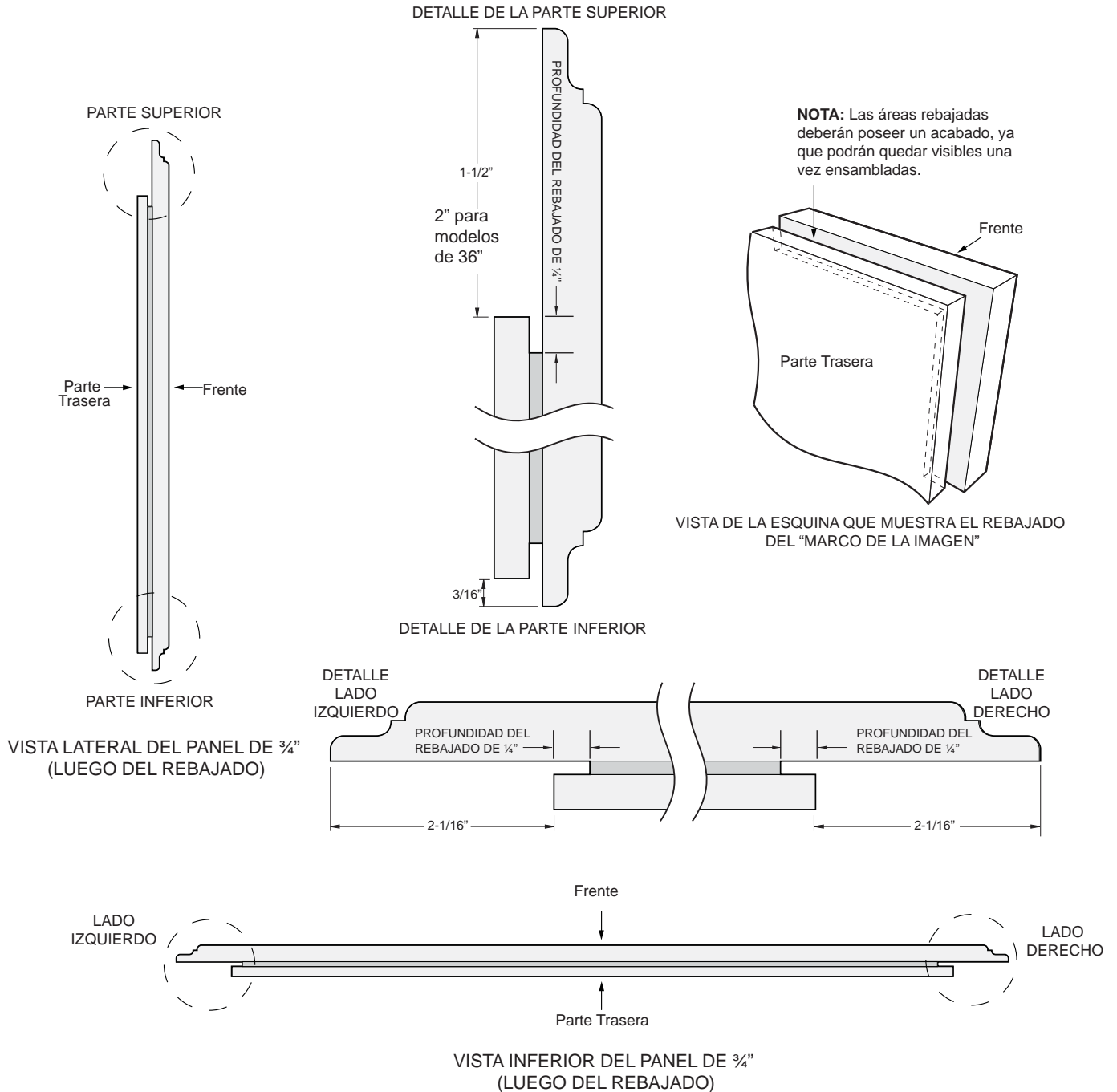


**NOTA:** Para los paneles construidos con rieles y montantes (5 paneles), los rieles deberán poseer un ancho mínimo de 3" (7.62 cm) y los montantes 4" (10.16 cm).

# Guía de Diseño - Instalación Nivelada para el Refrigerador de Lado a Lado

## REBAJADO DEL PANEL CON REJILLA ELEVADA DE 3/4" (1.91 cm)

Para un panel con rejilla elevada de 3/4" (1.91 cm), se requiere un rebajado. La profundidad del rebajado es de 1/4" (0.63 cm) en todo el recorrido de la parte trasera del panel. Se requieren reducciones del ancho del panel de acuerdo con los diagramas que figuran a continuación. Esto creará el rebajado del "marco de la imagen" que se deslizará sobre el marco de la puerta adherida.



**NOTA:** Para los paneles contruidos con rieles y montantes (5 paneles), los rieles deberán poseer un ancho mínimo de 3" (7.62 cm) y los montantes 4" (10.16 cm).

# Guía de Diseño - Instalación Nivelada para el Refrigerador de Lado a Lado

## EJEMPLOS DE AJUSTE DE MARCOS DEL DISPENSADOR: (NO A ESCALA)

### PANEL A MEDIDA

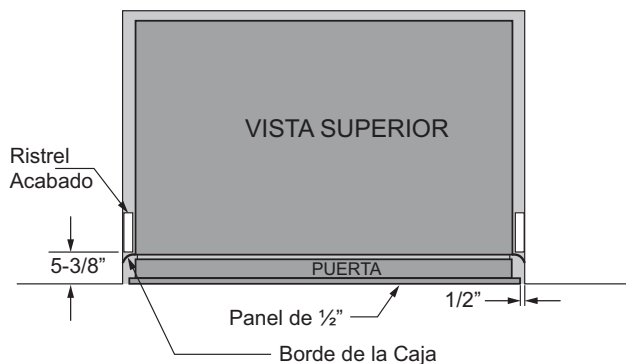
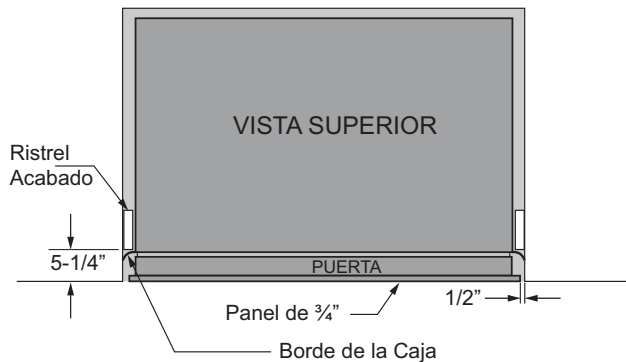
- El marco del dispensador coincide con el panel a medida y calza sobre la puerta del freezer.



## RISTRELES LATERALES

Se requieren ristreles de madera para su instalación vertical a ambos lados de la abertura del gabinete, a fin de brindar un tope de profundidad al refrigerador cuando éste sea instalado en la abertura.

El ristrele deberá ser instalado de acuerdo con los diagramas que figuran a continuación, y en base al tipo de panel que será usado.



# Instrucciones de instalación - Instalación Nivelada para el Refrigerador de Lado a Lado

## HERRAMIENTAS Y MATERIALES NECESARIAS

- Tijeras cortachapa para cortar bandas
- Escalera de dos hojas
- Extensión de broca de 1"
- Cinta métrica
- Guantes
- Tornillos para Panel de Yeso de 1/4"
- Balde de 5 galones con tapa
- Nivel de agua de 6"
- Carro Manual para Electrodomésticos
- Cortatubos
- Llave de tuercas de 7/16"
- Destornillador Phillips nº2
- Taladro y brocas apropiadas
- Enchufe de 5/16", 7/16"
- Gafas de seguridad
- Llave de tuercas de 1-1/8"
- Pinzas
- Combo de Llave de Tubo de 1/4", 5/16"
- Soporte Anti Volcaduras de 2 x 4 de 35" de longitud
- Tubería de cobre para suministro de agua de 1/4" o kits de Tuberías para Refrigerador SmartConnect™
- Válvula de cierre de agua
- Paneles a medida para paneles de puerta y rejilla
- Tornillos para asegurar el refrigerador a los gabinetes
- Cintas de ajuste de velcro para paneles laterales de 1/4"

## MATERIALES SUMINISTRADOS CON LA UNIDAD

- Tapón del bypass del filtro de agua
- Tuerca y abrazadera de refuerzo de 1/4"

## PISO

Para una instalación correcta, el refrigerador se deberá ubicar en una superficie nivelada de material duro que posea la misma altura en el resto del piso. Esta superficie deberá ser lo suficientemente fuerte como para resistir el peso de un refrigerador totalmente cargado, o aproximadamente 1500 libras (680.39 kg.).

**NOTA:** Proteja el acabado del piso. Corte una sección amplia de cartón y coloque la misma debajo del refrigerador donde se encuentra trabajando.

## CONEXIÓN A TIERRA DEL REFRIGERADOR

**⚠ ADVERTENCIA**  **Riesgo de Descarga Eléctrica**

Si no se siguen estas instrucciones, se podrá producir la muerte, incendios o descargas eléctricas.

El cable de corriente de este electrodoméstico cuenta con un enchufe de 3 cables (conexión a tierra) que se conecta a un tomacorriente de pared estándar de 3 cables (conexión a tierra) para minimizar el riesgo de posibles descargas eléctricas por parte del mismo.

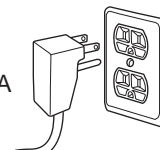
Contrate a un electricista calificado para que controle el tomacorriente y el circuito eléctrico, a fin de asegurar que el enchufe esté correctamente conectado a tierra.

En caso de contar con un tomacorriente de pared de 2 cables, es su responsabilidad y obligación reemplazarlo por un tomacorriente de pared de 3 cables correctamente conectado a tierra.

**NUNCA, BAJO NINGUNA CIRCUNSTANCIA, CORTE NI ELIMINE EL TERCER CABLE (TIERRA) DEL CABLE DE CORRIENTE.**

**NO USE UN ENCHUFE ADAPTADOR PARA CONECTAR EL REFRIGERADOR A UN TOMACORRIENTE DE 2 PATAS.**

**NO USE UN PROLONGADOR CON ESTE ELECTRODOMÉSTICO.**



## PASO 1 RETIRE EL EMBALAJE

**⚠ ADVERTENCIA**  **Riesgo de Caídas**

El refrigerador es mucho más pesado en su parte superior que en su parte inferior – tenga cuidado al moverlo. Al usar un carro manual, sosténgalo de costado únicamente.

• De forma cuidadosa, corte las bandas en la parte superior e inferior, y retire el cartón externo.

• Deslice hacia afuera los postes de las esquinas traseras (2).

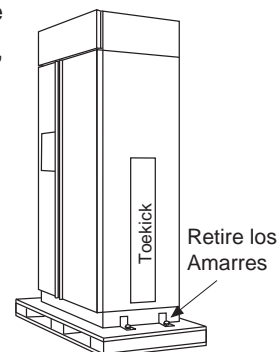
• Deslice el cartón fuera de la parte superior del gabinete.

**NOTA:** ¡NO ES NECESARIO APOYAR EL GABINETE PARA RETIRAR EL ANTIDESLIZANTE!

• La unidad se encuentra asegurada al antideslizante por 4 cintas de amarre ranuradas. Retire los seis tornillos de 7/16" de los canales de la base en los amarres.

• Retire los seis tornillos de 7/16" que aseguran las cintas al antideslizante.

**NOTA:** NO INTENTE HACER RODAR LA UNIDAD FUERA DEL ANTIDESLIZANTE.



# Instrucciones de instalación - Instalación Nivelada para el Refrigerador de Lado a Lado

## PASO 1 RETIRE EL EMBALAJE (Cont.)

- Los bloques de soporte de la parte inferior de la carcasa de refrigeración deberán ser retirados antes de que el refrigerador sea retirado del antideslizante, ya que de otro modo se podrán producir daños. De forma cuidadosa, incline el refrigerador y deslice los bloques hacia afuera desde abajo.
- Retire el zócalo y guarde el mismo para la instalación final.
- Levante el refrigerador fuera del antideslizante con un carro para electrodomésticos. Sostenga el electrodoméstico de los costados.

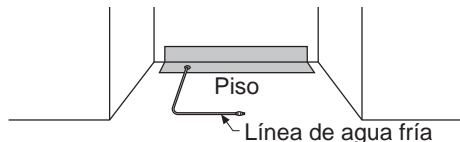
## PASO 2 TRANSPORTE EL REFRIGERADOR A SU HOGAR

- Vuelva a usar los postes de las esquinas del embalaje para proteger los modelos de acero inoxidable. Haga pasar las cintas del carro para electrodoméstico sobre los postes y debajo de las manijas.
- Deje cualquier película protectora sobre el refrigerador hasta que la instalación sea completada. **IMPORTANTE:** Nunca levante el refrigerador tomando la manija del mismo ni presione contra el panel de la rejilla; esto podría ocasionar daños o desalineaciones.
- Evite apoyar la unidad sobre su parte trasera o lateral, a fin de evitar restricciones sobre el sistema sellado.

## PASO 3 INSTALE EL SUMINISTRO DE AGUA

**⚠ ADVERTENCIA** Realice la conexión a un suministro de agua potable únicamente.

- Se requiere un suministro de agua fría para el funcionamiento de la máquina de hielo automática. La presión del agua deberá ser de entre 40 y 120 p.s.i. (275-827 kPa).
- Haga circular una tubería de cobre con un diámetro externo de 1/4" o una tubería de plástico SmartConnect™ entre la tubería de agua fría del hogar y la ubicación de la conexión de agua.



- La tubería deberá ser de una extensión suficiente como para llegar hasta el frente del refrigerador. Deje una cantidad de tubería suficiente como para hacer una inclinación que llegue hasta la conexión de la tubería de agua.

**NOTA:** La única tubería de plástico aprobada por Monogram es suministrada en los Kits de Tuberías para Refrigerador de SmartConnect™. No use ninguna otra tubería de suministro de agua plástica, ya que la tubería se encuentra bajo presión en todo momento. Otros tipos de plásticos podrán sufrir fisuras o roturas con el paso del tiempo y ocasionar problemas con el agua en su hogar.

## PASO 3 INSTALE EL SUMINISTRO DE AGUA (Cont.)

Los Kits de Tuberías para Refrigerador de SmartConnect™ están disponibles en las siguientes longitudes:

- 2' (.6 m) - WX08X10002
- 8' (2.4 m) - WX08X10006
- 15' (4.6 m) - WX08X1 0015
- 25' (7.6 m) - WX08X10025

### Cierre el suministro principal de agua.

Abra el grifo más cercano durante un tiempo suficiente como para despejar la tubería de agua.

- Instale una válvula de cierre entre la válvula de agua de la máquina de hielo y la tubería de agua fría en un punto bajo o en un gabinete. La válvula de cierre deberá ser ubicada donde sea de fácil acceso.
- Abra el suministro de agua principal y deje correr la suciedad. Deje correr aproximadamente un cuarto de galón de agua a través de la tubería a un balde. Cierre el suministro de agua desde la válvula de cierre

**NOTA:** Muchos kits de suministro de agua incluyen válvulas de cierre tipo montura, pero no se recomiendan para esta aplicación.

**NOTA:** Se deberá cumplir con los Códigos de Plomería del Commonwealth de Massachusetts 248CMR. Las válvulas tipo montura son ilegales y su uso está prohibido en Massachusetts. Consulte a un plomero matriculado.

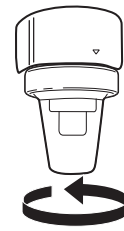
## PASO 4 INSTALACIÓN CON EL SISTEMA DE FILTRADO DE AGUA HOGAREÑO

Saltee este paso si no cuenta con un sistema de filtrado de agua hogareño.

Si el suministro de agua al refrigerador proviene de cualquier sistema de filtrado de agua hogareño, se deberá eliminar el filtro del cartucho. Para un mejor rendimiento del hielo y del agua, retire el filtro e instale el tapón del bypass del filtro.



Gire en Dirección Antihoraria para Retirar



Tapón de Bypass del Filtro

# Instrucciones de instalación - Instalación Nivelada para el Refrigerador de Lado a Lado

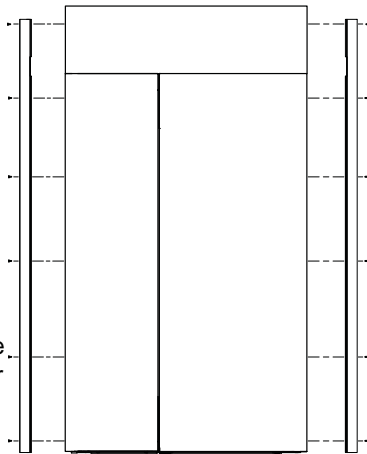
## PASO 5 INSTALE LOS PANELES LATERALES

Saltee este paso cuando no use los paneles laterales. Si usará paneles laterales de 1/4" (0.63), deberán ser insertados en el marco de la carcasa. Ajuste los paneles al refrigerador con cintas de sujeción de velcro, antes de establecer el refrigerador en su posición.

## PASO 6 INSTALE EL MARCO DE LA CARCASA

La unidad es entregada con el marco de la carcasa adherido para la instalación estándar. El marco de la caja para una instalación nivelada se brinda con el kit ZKFN.

Retire las tres piezas del marco de la carcasa instaladas de fábrica (a ambos lados y en la parte superior). Instale el nuevo marco de la carcasa, usando las piezas del marco de la carcasa del lado derecho y del lado izquierdo y los tornillos del marco de la carcasa. No se requiere una pieza superior del marco de la carcasa para una instalación nivelada. Adhiera el marco de la carcasa a cada lado de la carcasa, como se muestra en la ilustración, colocando los tornillos del marco de la carcasa en los agujeros provistos a cada lado de la misma.



## PASO 7 PROCEDIMIENTO ANTI-VOLCADURAS

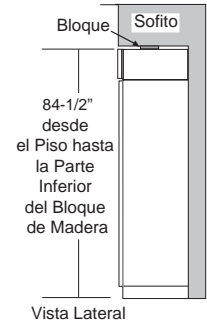
### ⚠ ADVERTENCIA



### Riesgo de Caídas

Estos refrigeradores son inestables, especialmente cuando una puerta se encuentre abierta, y deberán estar asegurados a fin de evitar caídas hacia adelante que podrían resultar en la muerte o en lesiones graves. Lea y siga las instrucciones de instalación en su totalidad para asegurar el refrigerador con el sistema anti volcaduras.

- Corte un bloque de 1" x 4", 35" (88.9 cm) de longitud.
- Mida y haga una marca debajo del soffito, 5 1/4" (13.34 cm) desde el extremo frontal del gabinete.
- Asegure el bloque de madera debajo del soffito. Desde la parte inferior del bloque hasta el piso acabado deberá medir 84-1/2" (214.63 cm). Vea la ilustración.



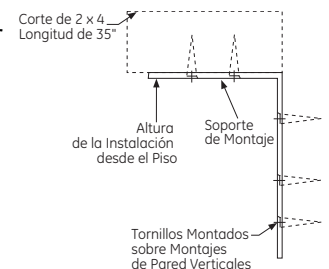
### CONECTE EL CABLE DE CORRIENTE:

- Antes de empujar el refrigerador hasta la abertura, enchufe el cable de corriente en el receptáculo. Será necesario retirar el protector del filtro de agua para tener acceso (en algunos modelos). Retire los 3 tornillos sosteniendo el mismo en su posición. Si el acceso aún se encuentra demasiado ajustado, retire los 2 tornillos que sostienen el soporte del filtro de agua y mueva éste hacia un lado. Abra el panel con la rejilla y alcance la abertura en la parte trasera para tomar el cable de corriente. Retire el cable de corriente de la abertura a medida que empuja el refrigerador hacia atrás. Asegure el soporte y el protector con los tornillos originales.
- De forma suave, empuje el refrigerador sobre la abertura con las manos contra las esquinas frontales.
- Una vez que el refrigerador es empujado sobre la abertura, use las patas niveladoras para elevar el mismo hasta que se apoye sobre el bloque instalado en la parte superior de la abertura.

**Para una instalación nivelada, recomendamos realizar la misma debajo de un soffito. Si esto no es posible, siga estas instrucciones usando los soportes de montaje.**

- Corte un bloque de 2" x 4", de 35" (88.9 cm) de longitud y asegure dicho bloque a los soportes de montaje provistos usando tornillos de madera nº 12 y nº 14.
- Asegure el soporte con un bloque de madera sobre la pared trasera, de modo que posea 84-1/2" (214.63 cm) desde el piso terminado. Use tornillos de madera nº 12 y nº 14. Lea la ilustración.

- Los tornillos deberán penetrar por lo menos una pulgada en los montantes de pared.
- Si se utilizan montantes de pared metálicos, use tornillos autorroscantes para lámina metálica en lugar de tornillos de madera.



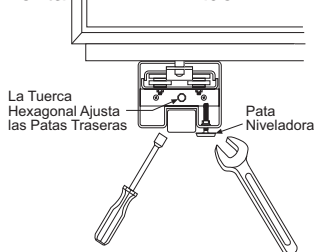


# Instrucciones de instalación - Instalación Nivelada para el Refrigerador de Lado a Lado

## PASO 8 NIVELE EL REFRIGERADOR

Todos los modelos cuentan con 4 puntos de nivelación. La parte frontal está apoyada sobre patas niveladoras; la parte trasera está apoyada sobre ruedas ajustables. Es posible acceder a ambas desde la parte frontal del refrigerador.

- A fin de nivelar la parte trasera del refrigerador, gire la tuerca hexagonal de 7/16" que se encuentra ubicada sobre las ruedas frontales. Gire en dirección horaria para elevar el refrigerador, y en dirección antihoraria para bajar el mismo.



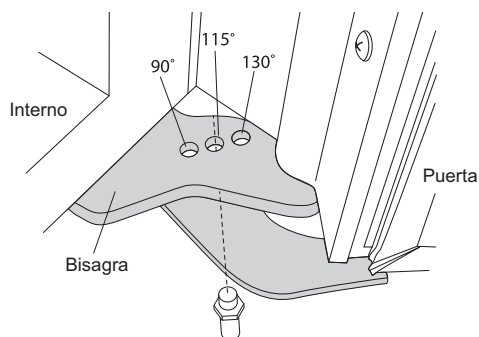
- Para nivelar la parte frontal, use una llave de boca de 1 1/4" (3.175 cm).
- Ajuste la altura del refrigerador para que coincida con la abertura del espacio libre de la instalación de 83 1/2" (212.09 cm) a 84 1/2" (214.63 cm). El refrigerador deberá estar nivelado y correctamente instalado entre los muebles de cocina.

**AVISO:** Las ruedas niveladoras traseras y las patas niveladoras frontales cuentan con un límite de ajuste de altura máxima de 1". Si en la instalación se requiere una altura superior a 84 1/2" (214.63 cm), el instalador deberá elevar el refrigerador sobre una lámina de contrachapado o correderas. También se podrá agregar un marco para gabinetes a través de la parte superior de la abertura, a fin de acortar esta última. **Si intenta elevar el refrigerador más de 1" (2.54 cm), dañará las patas niveladoras frontales y las ruedas niveladoras traseras.**

## PASO 9 AJUSTE EL GIRO DE LA PUERTA

**NOTA:** El refrigerador cuenta con una detención de la puerta de 3 posiciones. Cuando el espacio no permita que la puerta gire completamente hasta los 115°, podrá cambiar el giro de puerta a una apertura de 90°. Un giro de puerta de 130° está disponible para la instalación estándar únicamente. **Si la apertura de la puerta es satisfactoria para su situación durante la instalación, saltee este paso.**

- Abra la puerta para visualizar la bisagra inferior. Observe las ubicaciones de los pernos de detención de la puerta. El perno fue instalado de fábrica en la posición de 115°.
- Cierre la puerta. Desde abajo, use una pinza para desenroscar la detención de la puerta y vuelva a instalar la misma en la posición de 90°.



## ⚠ ADVERTENCIA



Riesgo de

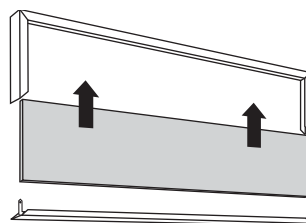
### Pellizcos con el Marco de la Puerta

Una instalación inadecuada podrá conducir a riesgos de pellizcos de dedos entre el marco lateral de la puerta y los gabinetes al utilizar la puerta, especialmente con los niños. A fin de minimizar este riesgo, usted deberá seguir las instrucciones de instalación para dimensiones de gabinetes, ensambles de marcos y ángulos de detención de puertas.

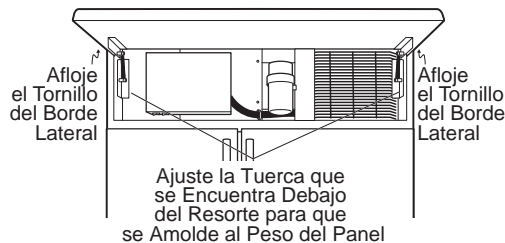
## PASO 10 INSTALE EL PANEL DE LA REJILLA

Para insertar el panel con marco o revestido en la rejilla:

- Eleve el panel de la rejilla hasta la posición de detención.



- Afloje los tornillos sobre el marco lateral detrás del marco. Retire el marco inferior.



## ⚠ PRECAUCIÓN

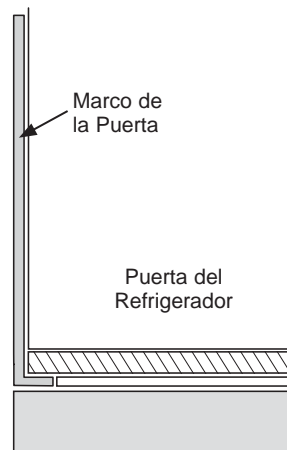
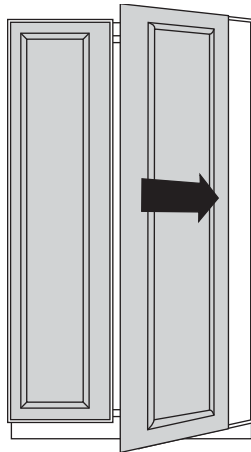
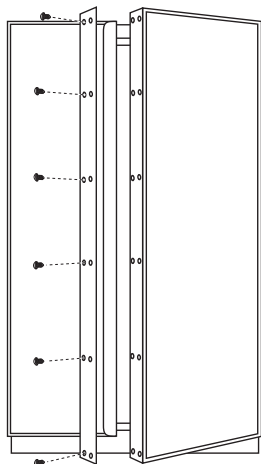
RIESGO DE EXTREMO FILOSO

Es posible que el panel metálico esté resbaladizo. Tome el panel metálico de manera firme, de modo que no se deslice fuera del marco y ocasione lesiones personales o daños sobre el marco.

- Deslice el panel sobre el panel de soporte metálico y sobre el marco.
- De ser necesario, golpee con un bloque de madera hasta que el panel se deslice por debajo de la pieza del marco superior.
- Vuelva a ensamblar el marco inferior. Ajuste los tornillos.
- Ajuste el resorte de la bisagra para acomodar el peso del panel, de ser necesario.

# Instrucciones de instalación - Instalación Nivelada para el Refrigerador de Lado a Lado

## PASO 11 INSTALE EL PANEL REVESTIDO



### Instale los paneles de la puerta:

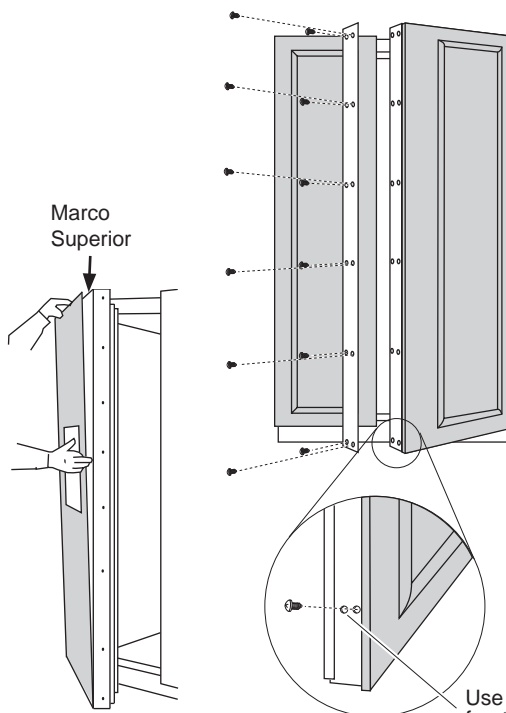
- Abra la puerta hasta 90°.
- Retire los 12 tornillos que sostienen el marco de la puerta del lado de la manija, y luego levante y retire el marco. Conserve los tornillos.
- Deslice el panel revestido dentro del marco de la puerta.
- **Las manijas a medida deberán ser usadas para una inserción nivelada. Asegúrese de que las manijas estén adheridas antes de instalar los paneles.**

### Modelos con Dispensador Únicamente:

- **IMPORTANTA:** Los controles del dispensador sobresalen más allá de la cara de la puerta del freezer. A fin de evitar daños sobre el dispensador, el marco en la parte superior de la puerta deberá ser retirado.
- Retire los tornillos que sostienen el marco superior en su posición.
- Coloque el panel del freezer ensamblado en el canal inferior y deslice el mismo dentro del marco lateral de la bisagra.
- Vuelva a instalar la pieza del marco superior con todos los tornillos originales.

### Todos los modelos

- Hay dos conjuntos de agujeros en el marco de la puerta. Reemplace el marco de la puerta instalando todos los tornillos en los dos conjuntos de agujeros de tornillos.
- Siga los mismos procedimientos para instalar el panel opuesto.



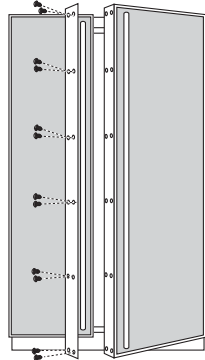
Use los agujeros frontales y traseros para instalar todos los tornillos originales y asegure el marco

# Instrucciones de instalación - Instalación Nivelada para el Refrigerador de Lado a Lado

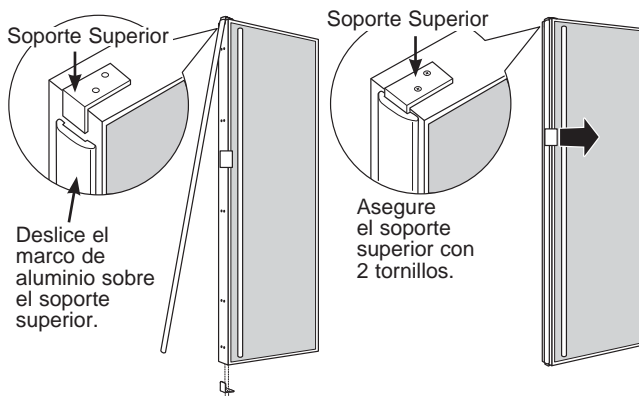
## PASO 11 INSTALE EL PANEL REVESTIDO (Cont.)

### Manijas a Medida

- Las manijas a medida deberán ser usadas para una instalación nivelada. La manija deberá estar correctamente asegurada al panel revestido, antes de deslizar el panel sobre el marco.
- El fabricante del gabinete suministrará la manija a medida y los materiales.
- Descarte la manija del visor suministrada.
- Vuelva a instalar el marco de la puerta del lateral de la manija, usando los 6 tornillos de cabeza plana, además de los 6 tornillos de cabeza plana instalados originalmente en el marco de la puerta del lado de la manija.
- Un kit de la tapa del marco fue suministrado con el refrigerador. El mismo podrá ser usado para cubrir los tornillos expuestos.
- Instale el soporte suministrado sobre la parte superior de la puerta, usando un destornillador con cabeza Phillips y los 2 tornillos provistos. **Ajuste los tornillos de forma manual en los soportes. No ajuste en exceso; se podrán producir daños.**
- Limpie el marco de aluminio frotando alcohol - no use alcoholes con aceite o lanolina que impidan la adhesión de la cinta pegamento en ambos lados.
- Deslice la tapa de aluminio sobre el soporte superior para controlar el ajuste. El marco con tapa de aluminio cuenta con una ranura sobre cada extremo que se ajustan al soporte.



Vuelva a instalar los tornillos originales.



Deslice el marco de aluminio sobre el soporte superior.

Asegure el soporte superior con 2 tornillos.

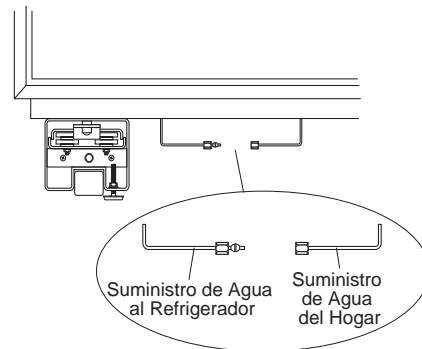
- Retire el marco. Quite unas pocas pulgadas del refuerzo adhesivo. **IMPORTANTE:** La cinta es muy adherente y fuerte. Una vez adherida a la superficie, no podrá ser retirada sin dañar ambas superficies. No instale el marco antes de que los paneles de madera finales estén en sus posiciones. Asegúrese de alinear el marco de forma cuidadosa, antes de retirar el refuerzo de papel.

## PASO 11 INSTALE EL PANEL REVESTIDO (Cont.)

- Con cuidado coloque el marco con tapa de aluminio sobre el soporte superior, de modo que el soporte se encuentre dentro del marco de la tapa. Use las ranuras desde la parte superior a la inferior a lo largo del lateral de la manija para alinear el marco de la tapa de forma precisa. Alinee el soporte con los agujeros de los tornillos en la parte superior de la puerta.
- Presione la cinta unas pocas pulgadas por vez, mientras presiona el marco contra la puerta. Mantenga la presión durante aproximadamente 10 segundos antes de continuar sobre toda la longitud de la puerta.
- Instale otro soporte en la parte inferior de la puerta para asegurar el marco de la tapa. Use un Destornillador con cabeza Phillips y mango ancho y los 2 tornillos provistos. **NOTA:** Asegúrese de que no haya brechas en la instalación.
- Siga el mismo procedimiento en la puerta opuesta.

## PASO 12 REALICE LA CONEXIÓN AL SUMINISTRO DE AGUA

**⚠ ADVERTENCIA** Realice la conexión a un suministro de agua potable únicamente.



- Encuentre y traiga la tubería al frente del gabinete.
- Abra y deje correr el agua a fin de eliminar desechos del suministro. Deje correr alrededor de un cuarto de galón de agua por la tubería a un balde; luego cierre el suministro de agua.
- Tubería de Cobre:**
  - Coloque una tuerca de 1/4" y una abrazadera de refuerzo (provista) sobre ambos extremos de la tubería de cobre. Inserte la tubería en la unión con la unidad y ajuste la tuerca a la unión.
  - Abra el suministro de agua para controlar que no haya pérdidas.

# Instrucciones de instalación - Instalación Nivelada para el Refrigerador de Lado a Lado

## PASO 12 REALICE LA CONEXIÓN AL SUMINISTRO DE AGUA (Cont.)

### Tubería SmartConnect™:

**NOTA:** La única tubería de plástico aprobada por Monogram es suministrada en los Kits de Tuberías para Refrigerador de SmartConnect™. No use ninguna otra tubería de suministro de agua plástica, ya que la tubería se encuentra bajo presión en todo momento. Otros tipos de plásticos podrán sufrir fisuras o roturas con el paso del tiempo y ocasionar problemas con el agua en su hogar.

Los Kits de Tuberías para Refrigerador de SmartConnect™ están disponibles en las siguientes longitudes:

2' (.6 m) WX08X10002

8' (2.4 m) WX08X10006

15' (4.6 m) WX08X10015

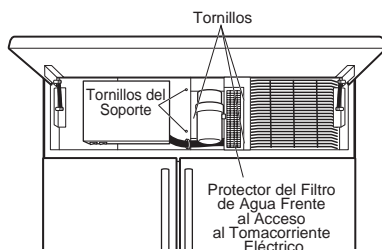
25' (7.6 m) WX08X10025

- Inserte el extremo moldeado de la tubería en la conexión del refrigerador. Ajuste la tuerca de compresión hasta que quede fijada sólo con la presión manual.
- Realice un ajuste adicional con un giro de llave. ¡Un ajuste excesivo podrá ocasionar pérdidas!
- Abra el suministro de agua para controlar que no haya pérdidas.
- Haga funcionar el dispensador, de ser necesario, durante 2 minutos.

**NOTA:** Asegúrese de que un exceso de la longitud de la tubería no interfiera con el cierre del cajón o con la instalación del zócalo.

## PASO 13 CONECTE LA CORRIENTE, CIERRE EL PANEL DE LA REJILLA

- Abra el panel de la rejilla.
- Enchufe el cable de corriente (de ser necesario) llegando hasta la abertura próxima al filtro de agua. Será necesario retirar el protector del filtro de agua para tener acceso (en algunos modelos). Retire los 3 tornillos sosteniendo el mismo en su posición. Si el acceso aún se encuentra demasiado ajustado, retire los 2 tornillos que sostienen el soporte del filtro de agua y mueva éste hacia un lado. Enchufe el cable de corriente. Asegure el soporte y el protector con los tornillos originales.

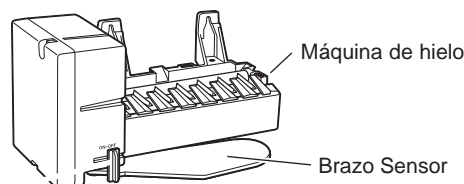


- Realice un control para asegurar que la corriente que va al refrigerador está activada, abriendo la puerta del refrigerador para ver si las luces interiores están encendidas.
- Los controles de temperatura están preconfigurados en 37°F (3° C) para la sección de comidas frescas y en 0°F (-18°C) para el freezer.
- Permita que se establezca durante 24 horas antes de realizar ajustes.

## PASO 14 ENCIENDA LA MÁQUINA DE HIELO

### ⚠ PRECAUCIÓN

Evite el contacto con las partes en movimiento del mecanismo expulsor o con el elemento de calefacción (ubicado en la parte inferior de la máquina de hielo) que expulsa los cubos. No coloque los dedos ni las manos en el mecanismo de la máquina de hielo automática mientras el freezer se encuentre enchufado.

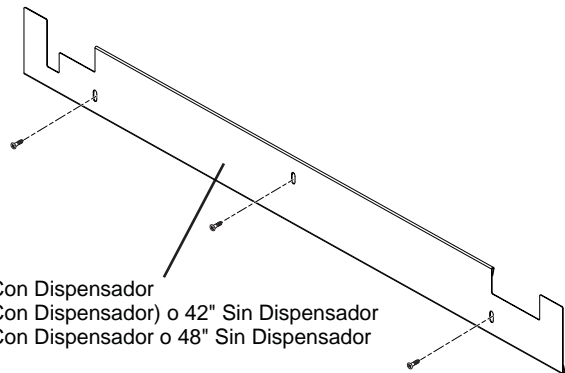


- La máquina de hielo comenzará a funcionar automáticamente.
- Asegúrese de que nada interfiera con la extensión del interruptor de energía.
- Descarte el primer balde lleno de cubos de hielo.
- Para apagar la máquina de hielo, consulte la Instalación Estándar.

# Instrucciones de instalación - Instalación Nivelada para el Refrigerador de Lado a Lado

## PASO 15 INSTALE LOS ZÓCALOS

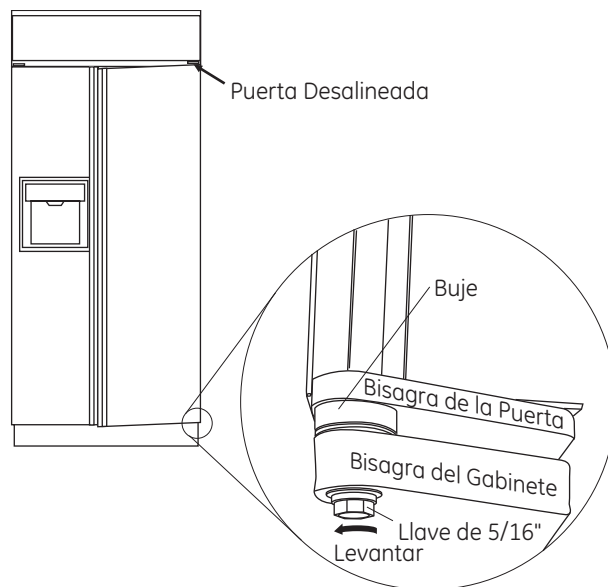
- Se podrá instalar un zócalo a medida que coincida o complemente los muebles que estén alrededor. Use el zócalo provisto con el refrigerador original como patrón para hacer el zócalo a medida  $1 \frac{5}{8}$ " más largo a cada lado. La altura final se deberá reducir una vez que la unidad se encuentre nivelada.



## INSPECCIONE LA INSTALACIÓN FINAL

Controle la alineación de la puerta. Aléjese del refrigerador para inspeccionar la instalación final.

- Realice un control para asegurarse de que las manijas estén niveladas una con otra en la parte superior. Para ajustar, afloje los tornillos de la manija y deslice la misma hacia arriba o abajo. Ajuste los tornillos.
- Es posible que el envío o la adición de paneles de puerta pesados hayan ocasionado que las puertas se muevan levemente fuera de su alineación.



- De ser necesario, la puerta de comidas frescas podrá ser ajustada hacia arriba o abajo a fin de alinear la misma con la puerta del freezer.
- Use una llave de 5/16" para ajustar el perno de la bisagra como se muestra.

**NOTE: While performing installations described in this book, safety glasses or goggles should be worn.**

**NOTE: Product improvement is a continuing endeavor at Monogram. Therefore, materials, appearance and specifications are subject to change without notice.**



**MONOGRAM**