



INSTALLATION INSTRUCTIONS

Double-Drawer Built-In Refrigerator

Safety Information


BEFORE YOU BEGIN

Read these instructions completely and carefully.

- **IMPORTANT** – Save these instructions for local inspector's use. Observe all governing codes and ordinances.
- **Note to Installer** – Be sure to leave these instructions with the Consumer.
- **Note to Consumer** – Keep these instructions with your Owner's Manual for future reference.

If you received a damaged refrigerator, you should immediately contact your dealer or builder.

Skill Level – Installation of this refrigerator requires basic mechanical, carpentry and plumbing skills. Proper installation is the responsibility of the installer. Product failure due to improper installation is not covered under the GE Appliance Warranty. See the Owner's Manual for warranty information.

⚠ WARNING  **Explosion Hazard.** Keep flammable materials and vapors away from refrigerator. Failure to do so can result in fire, explosion, or death.

⚠ WARNING To reduce the risk associated with choking, do not allow children under 3 years of age to have access to small parts during the installation of this product.

For Monogram local service in your area, call 800.444.1845 or visit monogram.com.

For Monogram service in Canada, call 888.880.3030

For Monogram Parts and Accessories, call 800.444.1845 or visit monogram.com.

For Monogram Parts and Accessories in Canada, call 888.880.3030 or visit monogram.ca.

CONNECTING ELECTRICITY

⚠ WARNING  **Electrical Shock Hazard.**

Plug into a grounded 3-prong outlet.

Do not remove the ground prong.

Do not use an adapter.

Do not use an extension cord.

Failure to follow these instructions can result in death, fire, or electrical shock.

Do not, under any circumstances, cut or remove the third (ground) prong from the power cord.

For personal safety, this appliance must be properly grounded.

The power cord of this appliance is equipped with a 3-prong (grounding) plug which mates with a standard 3-prong (grounding) wall outlet to minimize the possibility of electric shock hazard from this appliance.

Have the wall outlet and circuit checked by a qualified electrician to make sure the outlet is properly grounded.

Where a standard 2-prong wall outlet is encountered, it is your personal responsibility and obligation to have it replaced with a properly grounded 3-prong wall outlet. Do not use an adapter.

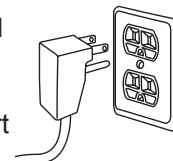
The refrigerator should always be plugged into its own individual electrical outlet which has a voltage rating that matches the rating plate.

A 115 Volt AC, 60 Hz, 15- or 20-amp fused, grounded electrical supply is required. This provides the best performance and also prevents overloading house wiring circuits which could cause a fire hazard from overheated wires.

Never unplug your refrigerator by pulling on the power cord. Always grip plug firmly and pull straight out from the outlet.

Immediately discontinue use of a damaged supply cord. If the supply cord is damaged it must be replaced by a qualified service professional with an authorized service part from the manufacturer.

When moving the refrigerator away from the wall, be careful not to roll over or damage the power cord.



Important Information

CONTENTS

Important Information

Tools, Hardware	3
Parts Required	3

Design Guide (for ZIDS240)

The Installation Space	4
Product Clearances	4
Side-by-Side Installations	4

Design Guide (for ZIDI240)

The Installation Space	5
Product Clearances	5
Side-by-Side Installations	5

Installation Instructions

Step 1, Remove Packaging	5
Step 2, Install Custom 3/4" Drawer Panels and Handles (ZIDI240 model only)	6, 7
Step 3, Level	8
Step 4, Connect Power	8
Step 5, Slide Product into Cutout	8
Step 6, Set Temperature Controls	8

ZIDI240 MODEL ONLY

PARTS REQUIRED

- Custom handles
- Overlay panels
- Spacer panels
- Backer panels
- Screws

PARTS SUPPLIED

- Drawer side trims
- Optional black or stainless steel toekick

TOOLS REQUIRED

- Adjustable wrench
- Carpenter's glue (ZIDI240 model only)
- Screwdriver (ZIDI240 model only)

WARNING EXCESS WEIGHT HAZARD

Use two or more people to move and install dual-drawer refrigerator. Failure to do so can result in back or other injury.

WARNING **CUT HAZARD**

Cabinet edges along stamp/cut-out areas may be sharp. Avoid placing hands, fingers, or other appendages near these areas. Failure to do so can result in cuts.

IMPORTANT: Handle with care when moving dual-drawer refrigerator to avoid either damaging the refrigerant tubing or increasing the risk of a leak.

IMPORTANT: When moving the dual-drawer refrigerator, never tilt it more than a 45° angle. This could damage the compressor and the sealed system. If the dual-drawer refrigerator has been placed in a horizontal position for any period of time, wait one hour before plugging in the refrigerator to allow the refrigerant to settle.

REFRIGERATOR LOCATION

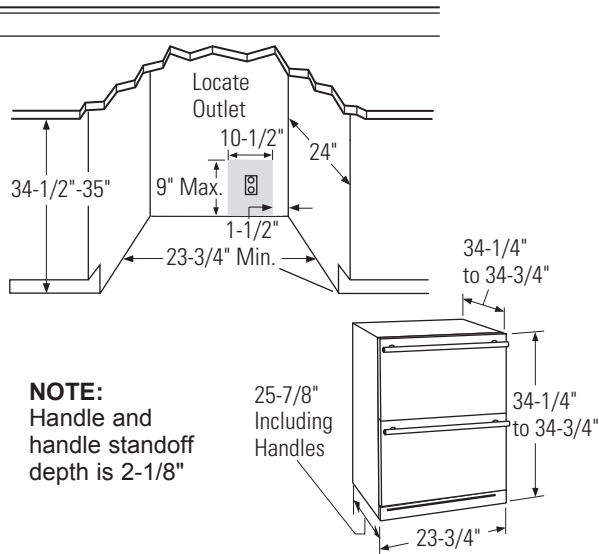
- Do not install the refrigerator where the temperature will go below 55°F (12.7°C) because it will not run often enough to maintain proper temperatures.
- Do not install the refrigerator where the temperature will go above 100°F (37°C) because it will not perform properly.
- Do not install the refrigerator in a location exposed to water (rain, etc.) or direct sunlight.
- Install it on a floor strong enough to support it fully loaded.

Design Guide

FOR MODEL ZIDS240 WITH STAINLESS STEEL DRAWERS AND HANDLES

THE INSTALLATION SPACE

IMPORTANT: Double-Drawer Refrigerators are designed to be built-in only. They cannot be used free-standing.



The cutout depth should be 24"

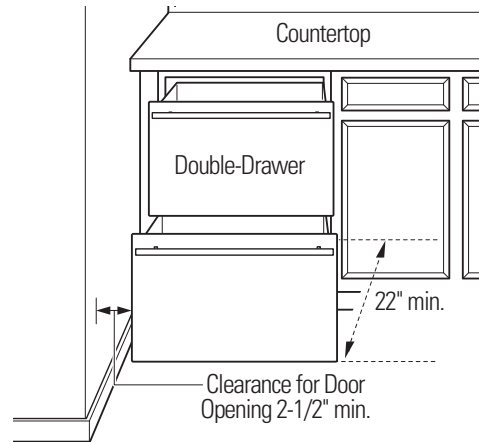
NOTE: The unit is designed to be flush with the surrounding cabinets.

Additional Specifications

- A 120 volt 60Hz., 15 or 20 amp power supply is required. An individual properly grounded branch circuit or circuit breaker is recommended. Install a properly grounded 3-prong electrical receptacle recessed into the back wall as shown. Electrical must be located on rear wall as shown. **NOTE:** GFCI (ground fault circuit interrupter) is not recommended.

PRODUCT CLEARANCES

When installed in a corner:



Allow 2-1/2" min. clearance between Double-Drawer and adjacent cabinet, wall or other appliances. Allow 22" min. clearance from the front for drawer opening.

NOTE: Clearances are based on the noted 2-1/8" handle standoff depth.

- Test the drawer openings. Carefully open and close the drawers. The drawers should not rub or catch on adjacent cabinetry. Notify the installer if the drawers make contact with cabinetry.

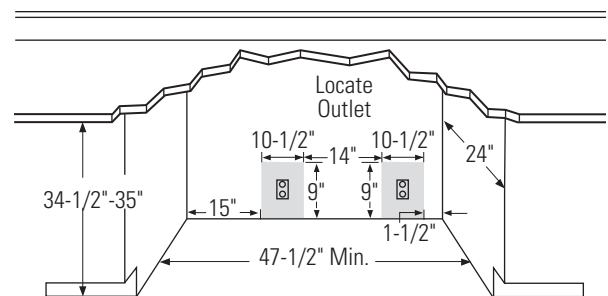
Choose the location:

- These products may be closed in on the top and three sides as long as the front is unobstructed for air circulation and proper access to the drawers.
- Do not install these products where the temperature will go below 55°F (13°C) or above 100°F (37°C).
- These products are not designed to be stacked one over the other.

SIDE-BY-SIDE INSTALLATIONS – Stainless Steel Models Only

For a complete refreshment center, install a Double-Drawer Refrigerator beside a Beverage Center, Wine Chiller/Wine Reserve, Fresh-Food Refrigerator or Bar Refrigerator with Icemaker.

- A side-by-side installation requires at least a 47-1/2" wide opening. No trim kits required.
- Products must operate from separate, properly grounded receptacles.



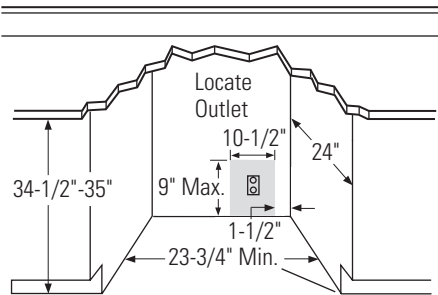
1" = 2.5 cm; 1' = 0.3 m

Design Guide

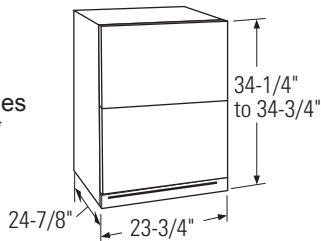
FOR MODEL ZIDI240 WITH CUSTOM DRAWER PANELS AND HANDLES

THE INSTALLATION SPACE

IMPORTANT: Double-Drawer Refrigerators are designed to be built-in only. They cannot be used free-standing.



NOTE: Handles not supplied.*



*Custom handle clearances may vary, depending on the standoff of the custom handles.

The cutout depth should be 24"

The cutout dimensions shown allow for full drawer extension.

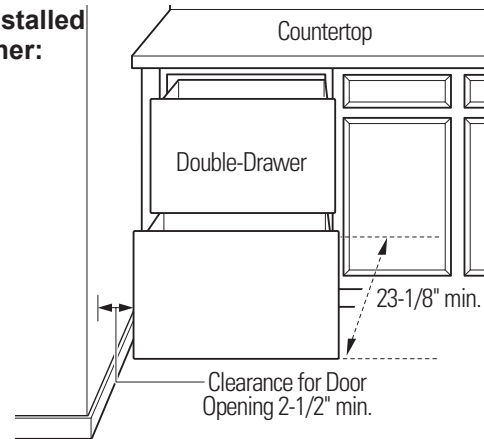
NOTE: The unit is designed to be flush with the surrounding cabinets.

Additional Specifications

- A 120 volt 60Hz., 15 or 20 amp power supply is required. An individual properly grounded branch circuit or circuit breaker is recommended. Install a properly grounded 3-prong electrical receptacle recessed into the back wall as shown. Electrical must be located on rear wall as shown. **NOTE:** GFCI (ground fault circuit interrupter) is not recommended.

PRODUCT CLEARANCES

When installed in a corner:



Allow 2-1/2" min. clearance between Double-Drawer and adjacent cabinet, wall or other appliances. Allow 23-1/8" min. clearance from the front for drawer opening.

NOTE: Custom handle clearances may vary depending on the standoff of the custom handles.

- Test the drawer openings. Carefully open and close the drawers. The drawers should not rub or catch on adjacent cabinetry. Notify the installer if the drawers make contact with cabinetry. **NOTE:** When installing custom panels and handles, use above clearances as a general guide but adjust according to the installation.

Choose the location:

- These products may be closed in on the top and three sides as long as the front is unobstructed for air circulation and proper access to the drawers.
- Do not install these products where the temperature will go below 55°F (13°C) or above 100°F (37°C).
- These products are not designed to be stacked one over the other.

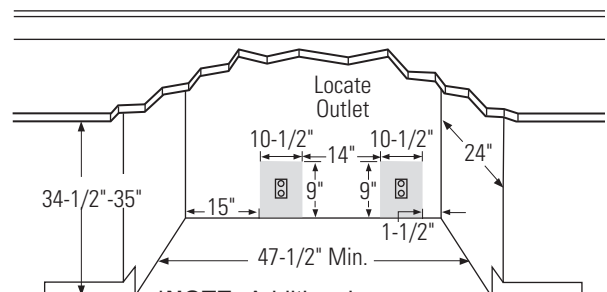
Black or Stainless Steel Toekick Options

- These products are shipped with two toekicks, a stainless steel and a black toekick. For shipping purposes, one of the toekicks will be secured to the back of the unit and the second will be installed, in place, on the unit. Keep the unused toekick, and other unused or removed parts, for future use.

SIDE-BY-SIDE INSTALLATIONS – Custom Panel Models Only

For a complete refreshment center, install a Double-Drawer Refrigerator beside a Beverage Center or Wine Chiller/Wine Reserve.

- A side-by-side installation requires at least a 47-1/2" wide opening. No trim kits required.
- Products must operate from separate, properly grounded receptacles.



***NOTE:** Additional clearances may be required.

Installation Instructions

STEP 1 REMOVE PACKAGING AND INSTALLATION PARTS

- Remove corner blocks and foam drawer stops.
- Remove all packing material, tape and protective plastic coverings.

⚠ WARNING Small objects are a choke hazard for children. Remove and discard any parts not used.

⚠ WARNING

TIP OVER HAZARD

These appliances are top heavy, especially with any doors open, and must be secured to prevent tipping forward which could result in death or serious injury. Read and follow the entire installation instructions for securing the appliance with the anti-tip system.

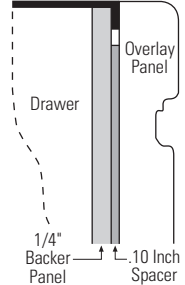


STEP 2 INSTALL CUSTOM 3/4" DRAWER PANELS AND HANDLES (ZIDI240 model only)

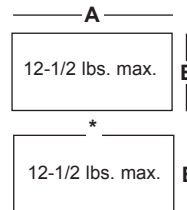
3/4" Overlay Panel Dimensions

Model ZIDI240 requires field-installed overlay drawer panels.

- The overlay panels must be secured to 1/4" thick backer panels that slide into the trims. A .10" thick spacer panel must be placed between the overlay and backer panels.
- Custom handles of your choice, supplied by your cabinet maker, must be installed on these overlay panels. Countersink all screws into the backer panels. Screws cannot protrude from the backer panels.



IMPORTANT NOTE: Maximum total weight for custom drawer panels are 25 pounds (12-1/2 pounds maximum each drawer).

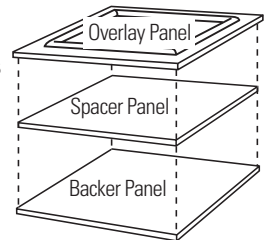


3/4" Overlay Panel Dimensions (in inches)		
	A (Width)	B (Height)
1/4" Backer	23-3/16"	14-11/16"
0.10" Spacer	22-1/2"	14-3/16"
3/4" Overlay	23-5/8"	15-1/16"

*Maintain a 1/4" min. gap between top and bottom drawer panels.

Assemble overlay panels with glue and screws.

- Center spacer panel on the backer panel, left to right and top to bottom. Secure the panels with glue.
- Center the spacer/backer panel on the overlay panel. Secure with glue and screws. Countersink all screws into the backer panel.



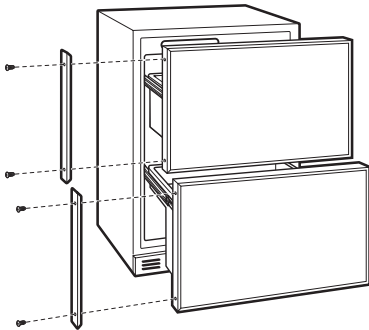
1" = 2.5 cm; 1' = 0.3 m

Installation Instructions

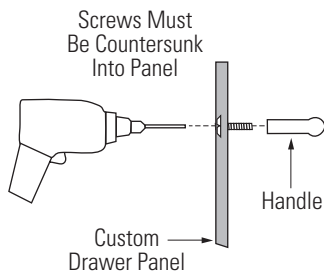
STEP 2 INSTALL CUSTOM 3/4" DRAWER PANELS AND HANDLES (CONT.) (ZIDI240 model only)

Install custom drawer panels and handles:

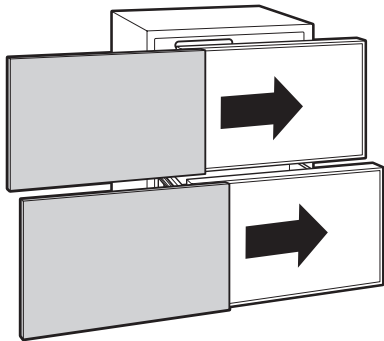
- Open drawers.
- Remove 2 screws holding each trim; lift trims off. Retain screws.



Custom handles of your choice, supplied by your cabinet maker, must be installed onto the overlay panels before they are slid into the trims. Countersink all screws into the backer panels. Screws cannot protrude from the backer panels.

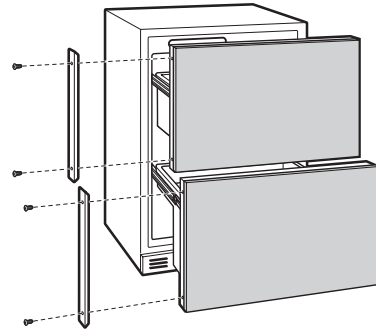


Slide overlay panels into the trims.

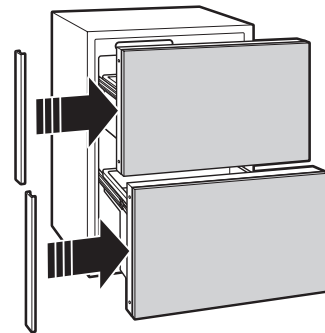


STEP 2 INSTALL CUSTOM 3/4" DRAWER PANELS AND HANDLES (CONT.) (ZIDI240 model only)

- Reinstall the side trims using the trim screws removed earlier.



- Place the brushed decorative covers over the side trim to hide the screw heads. Ensure side trim is aligned top to bottom and front to back. Snap into place.



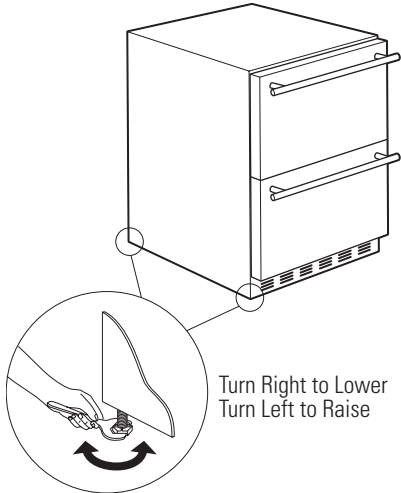
NOTE: For shipping purposes, the brushed decorative cover will be secured to the front of the unit.

Installation Instructions

STEP 3 LEVEL

Use an adjustable wrench to turn and raise or lower the leveling legs.

- Measure floor to countertop height inside the opening. Adjust leveling legs until the product is approximately 1/8" less than countertop height.



INSTALLATION TIP:

Measure floor to underside of countertop inside the opening.

- If the room floor is higher than the floor inside the opening, adjust the rear leveling legs to approximately 1/8" less than the opening height. Screw front leveling legs all the way in to shorten the height at the front. This will allow you to slightly tip the unit into the opening. Once the unit is in the correct position, the front legs can be adjusted to level the product.

STEP 4 CONNECT POWER

- Connect power cord plug to a properly grounded receptacle.
- Check to make sure power is on by opening a drawer to see if interior light turns on.
- The interior fan runs all the time except when a drawer is open.
See the Owner's Manual for further explanation of the fan.

STEP 5 SLIDE PRODUCT INTO THE CUTOUT

NOTICE: Do not push against the drawer panels with your knees. Do not push or lift the unit by the drawer handles. Damage may occur!

- Open one of the drawers and gently push the unit back into the opening with your hands against the sides. Be careful not to entangle power cord.
- Check again to be sure the unit is level. **Adjust the leveling legs until the unit is resting firmly against the bottom of the counter to prevent rocking or movement during operation.**
- If alignment with adjacent cabinetry is an issue, use a shim to secure the unit against the underside of the countertop.

STEP 6 SET TEMPERATURE CONTROLS

- The temperature controls are preset. Refer to the Owner's Manual for more information. Allow 12–24 hours for the temperature to stabilize.

NOTE: The Double-Drawer Refrigerator operates very quietly. You may not notice the unit running, and when first installed, the fans and motor may not come on immediately – this is normal. If the display is lit and the light is working, the unit is operating.

Notes

NOTE: While performing installations described in this book, safety glasses or goggles should be worn.

NOTE: Product improvement is a continuing endeavor at Monogram. Therefore, materials, appearance and specifications are subject to change without notice.





INSTRUCTIONS D'INSTALLATION

Réfrigérateur encastré à deux tiroirs

Consignes de sécurité

AVANT DE COMMENCER

Lisez attentivement toutes ces instructions.

- **IMPORTANT** – Conservez ces instructions pour l'inspecteur local. Observez tous les codes et toutes les ordonnances en vigueur.
- **Remarque destinée à l'installateur** – Assurez-vous de laisser ces instructions au consommateur.
- **Remarque destinée au consommateur** – Conservez ces instructions avec votre Manuel de l'utilisateur pour vous y reporter ultérieurement.

Si vous avez reçu un réfrigérateur endommagé, contactez immédiatement votre détaillant ou le fabricant.

Niveau de compétence – L'installation de ce réfrigérateur nécessite des compétences de base en mécanique, en menuiserie et en plomberie. L'installateur est responsable de la qualité de l'installation. Une panne du produit due à une mauvaise installation n'est pas couverte par la garantie des électroménagers GE. Consultez le Manuel de l'utilisateur pour des informations sur la garantie.

⚠ AVERTISSEMENT



Risque d'explosion. Tenez les matières et les vapeurs inflammables à l'écart du réfrigérateur. Le non-respect de cette consigne peut entraîner un incendie, une explosion ou la mort.

⚠ AVERTISSEMENT

Pour réduire le risque d'étouffement, ne laissez pas les enfants de moins de 3 ans avoir accès à de petites pièces pendant l'installation de ce produit.

Pour le service Monogram dans votre région, appelez le 800-444-1845 ou visitez monogram.com.

Pour le service Monogram au Canada, appelez le 888-880-3030.

Pour les pièces et accessoires Monogram, appelez le 800-444-1845 ou visitez monogram.com.

Pour les pièces et accessoires Monogram au Canada, appelez le 888-880-3030 ou visitez monogram.ca.

RACCORDEMENT ÉLECTRIQUE

⚠ AVERTISSEMENT



Risque d'électrocution.

Branchez l'appareil sur une prise à 3 alvéoles mise à la terre.

Ne retirez pas la broche de mise à la terre de la fiche.

N'utilisez pas de fiche d'adaptation.

N'utilisez pas de cordon prolongateur.

Le non-respect de ces consignes peut entraîner un choc électrique, un incendie ou même la mort.

Ne coupez et ne retirez en aucun cas la troisième broche (mise à la terre) de la fiche du cordon d'alimentation. Pour votre sécurité, cet appareil doit être correctement mis à la terre.

Pour diminuer les risques de choc électrique, le cordon d'alimentation de cet appareil est muni d'une fiche à 3 broches (mise à la terre) qui correspond à une prise murale à 3 alvéoles (prise mise à la terre).

Faites vérifier la prise murale et le circuit par un électricien qualifié pour vous assurer que la prise est correctement mise à la terre.

Si la prise murale comporte 2 alvéoles, c'est à l'utilisateur qu'incombe la responsabilité et l'obligation de la faire remplacer par une prise à 3 alvéoles correctement mise à la terre. N'utilisez pas de fiche d'adaptation.

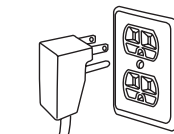
Le réfrigérateur doit toujours être le seul appareil branché sur une prise de courant dont la tension nominale correspond à celle indiquée sur la plaque signalétique.

Une alimentation électrique mise à la terre de 115 volts CA, 60 Hz, avec fusible de 15 ou 20 A est nécessaire. Cela assure de meilleures performances et évite toute surcharge, et donc surchauffe, des circuits du domicile qui pourrait être à l'origine d'un incendie.

Ne débranchez jamais le réfrigérateur en tirant sur son cordon d'alimentation. Saisissez fermement la fiche et sortez-la de la prise en tirant bien droit.

N'utilisez jamais un cordon d'alimentation endommagé. Si le cordon d'alimentation est endommagé, il doit être remplacé par un professionnel qualifié disposant d'une pièce de rechange autorisée par le fabricant.

Lorsque vous éloignez l'appareil du mur, faites attention à ne pas le faire rouler sur le cordon d'alimentation et à ne pas endommager ce dernier.



Renseignements importants

TABLE DES MATIÈRES

Renseignements importants

Outils, pièces de quincaillerie	3
Pièces requises	3

Guide d'installation (pour ZIDS240)

L'espace d'installation	4
Dégagements de l'appareil.....	4
Installations côte à côte	4

Guide d'installation (pour ZIDI240)

L'espace d'installation	5
Dégagements de l'appareil.....	5
Installations côte à côte	5

Instructions d'installation

Étape 1 : Retirer l'appareil de son emballage.....	6
Étape 2 : Poser les panneaux de tiroir personnalisés de 3/4 po et des poignées (modèle ZIDI240 uniquement)	6, 7
Étape 3 : Mise à niveau	8
Étape 4 : Brancher l'appareil à la prise électrique	8
Étape 5 : Faire glisser l'appareil dans l'ouverture d'installation.....	8
Étape 6 : Régler les commandes de température	8

MODÈLE ZIDI240 UNIQUEMENT

PIÈCES REQUISES

- Poignées personnalisées
- Panneaux superposés
- Panneaux d'espacement
- Panneaux d'appui
- Vis

PIÈCES FOURNIES

- Garnitures latérales de tiroir
- Panneau inférieur noir
ou en acier inoxydable
en option

OUTILS NÉCESSAIRES

- Clé à molette
- Colle de menuisier (modèle ZIDI240 uniquement)
- Tournevis (modèle ZIDI240 uniquement)



RISQUE DE POIDS EXCESSIF

Le déplacement et l'installation du réfrigérateur à deux tiroirs doivent être effectués par au moins deux personnes. Le non-respect de cette consigne peut être à l'origine de blessures au dos ou autre.



RISQUE DE COUPURES

Les rebords d'armoire le long des zones matricées/découpées peuvent être coupants. Évitez de mettre les mains, les doigts ou d'autres appendices près de ces zones. Le non-respect de cette consigne peut entraîner des coupures.

IMPORTANT : Lors que vous déplacez le réfrigérateur à deux tiroirs, faites-le délicatement pour éviter d'endommager la tubulure de réfrigérant ou d'augmenter le risque de fuite.

IMPORTANT : Lorsque vous déplacez le réfrigérateur à deux tiroirs, ne l'inclinez jamais à plus de 45°. Cela pourrait endommager le compresseur et le système scellé. Si le réfrigérateur à deux tiroirs a été placé en position horizontale pendant n'importe quelle durée, attendez une heure avant de le brancher pour laisser le temps au réfrigérant de se stabiliser.

EMPLACEMENT DU RÉFRIGÉRATEUR

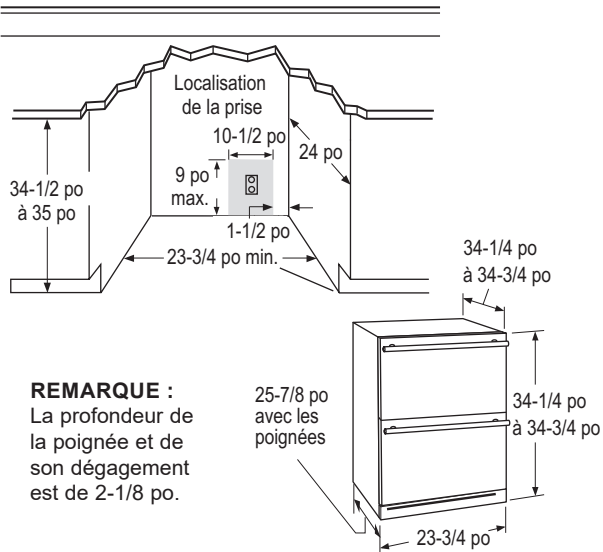
- N'installez pas le réfrigérateur dans un endroit où la température peut descendre en dessous de 55 °F (12,7 °C), car il ne fonctionnera pas assez souvent pour maintenir une température intérieure adéquate.
- N'installez pas le réfrigérateur dans un endroit où la température peut monter au-dessus de 100 °F (37 °C), car il ne fonctionnera pas correctement.
- N'installez pas le réfrigérateur dans un endroit exposé à l'eau (pluie, etc.) ou à la lumière directe du soleil.
- Installez-le sur un plancher assez solide pour le supporter une fois rempli.

Guide d'installation

POUR LE MODÈLE ZIDS240 AVEC TIROIRS ET POIGNÉES EN ACIER INOXYDABLE

L'ESPACE D'INSTALLATION

IMPORTANT : Les réfrigérateurs à deux tiroirs sont conçus pour être encastrés uniquement. Ils ne peuvent être utilisés comme des appareils autonomes.



REMARQUE :
La profondeur de la poignée et de son dégagement est de 2-1/8 po.

La profondeur de l'ouverture doit être de 24 po

REMARQUE : L'appareil est conçu pour être en affleurement avec les armoires environnantes.

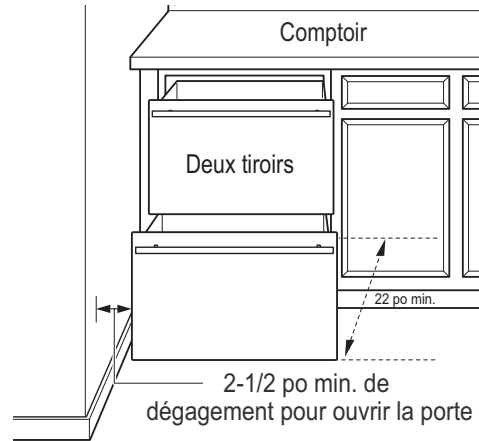
Spécifications supplémentaires

- Une alimentation de 120 volts, 60 Hz, 15 ou 20 ampères est requise. Un circuit de dérivation individuel correctement mis à la terre ou un disjoncteur sont recommandés. Installez une prise à 3 alvéoles convenablement mise à la terre dans le mur derrière l'appareil, comme illustré. L'alimentation électrique doit se situer sur le mur arrière, comme illustré.

REMARQUE : L'utilisation d'un disjoncteur de fuite de terre est déconseillée.

DÉGAGEMENTS DE L'APPAREIL

Lorsque vous installez l'appareil dans un coin :



Laissez un dégagement d'au moins 2-1/2 po entre les deux tiroirs et l'armoire, le mur ou d'autres appareils adjacents. Laissez au moins 22 po de dégagement à l'avant pour l'ouverture des tiroirs.

REMARQUE : Les dégagements sont basés sur la profondeur d'installation de la poignée indiquée de 2-1/8 po.

- Vérifiez l'ouverture des tiroirs. Ouvrez et fermez soigneusement les tiroirs. Les tiroirs ne doivent pas frotter ou être bloqués par les armoires adjacentes. Avertissez l'installateur si les tiroirs entrent en contact avec les armoires.

Choisissez l'emplacement de l'appareil :

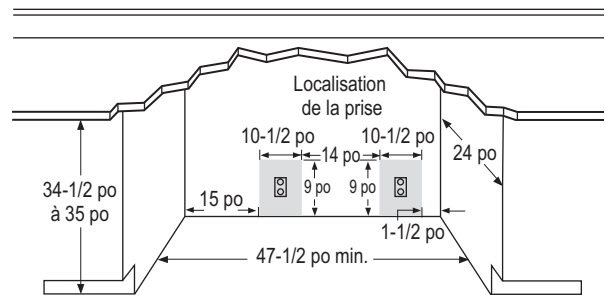
- Ces appareils peuvent être installés dans une armoire fermée sur le dessus et sur trois côtés, l'avant ne devant toutefois pas être obstrué pour assurer une bonne circulation de l'air et un accès facile aux tiroirs.
- N'installez pas ces appareils à un endroit où la température peut être inférieure à 55 °F (13 °C) ou supérieure à 100 °F (37 °C).
- Ces appareils ne sont pas conçus pour être empilés les uns sur les autres.

INSTALLATIONS CÔTE À CÔTE –

Modèles en acier inoxydable uniquement

Pour un centre de rafraîchissements complet, installez un réfrigérateur à deux tiroirs à côté d'un centre de boissons, d'un refroidisseur à vin/cellier, d'un réfrigérateur pour aliments frais ou d'un réfrigérateur de bar avec machine à glaçons.

- Une installation côte à côte nécessite une ouverture de 47-1/2 po de large au minimum. Aucun nécessaire de finition n'est requis.
- Les appareils doivent être branchés sur deux prises distinctes, convenablement mises à la terre.



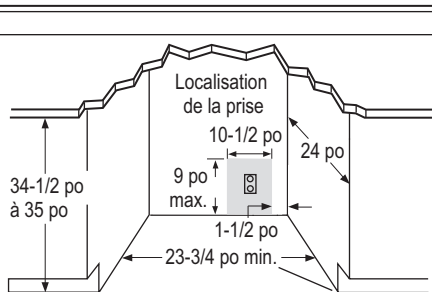
1 po = 2,5 cm; 1 pi = 0,3 m

Guide d'installation

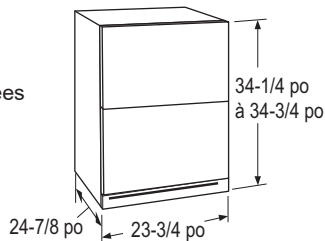
POUR LE MODÈLE ZIDI240 AVEC PANNEAUX DE TIROIR ET POIGNÉES PERSONNALISÉS

L'ESPACE D'INSTALLATION

IMPORTANT : Les réfrigérateurs à deux tiroirs sont conçus pour être encastrés uniquement. Ils ne peuvent être utilisés comme des appareils autonomes.



REMARQUE : Poignées non fournies.*



* Les dégagements des poignées personnalisées peuvent varier en fonction de la profondeur des poignées personnalisées.

La profondeur de l'ouverture doit être de 24 po

Les dimensions de découpe illustrées permettent une ouverture complète du tiroir.

REMARQUE : L'appareil est conçu pour être en affleurement avec les armoires environnantes.

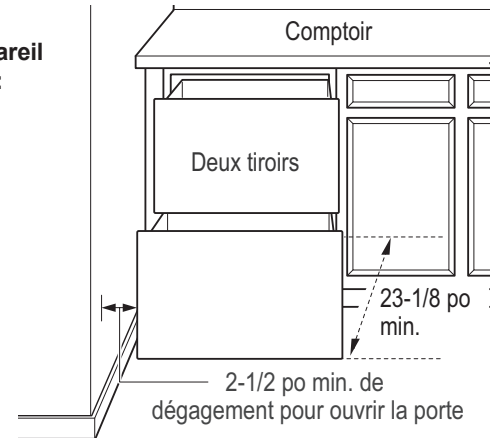
Spécifications supplémentaires

- Une alimentation de 120 volts, 60 Hz, 15 ou 20 ampères est requise. Un circuit de dérivation individuel correctement mis à la terre ou un disjoncteur sont recommandés. Installez une prise à 3 alvéoles convenablement mise à la terre dans le mur derrière l'appareil, comme illustré. L'alimentation électrique doit se situer sur le mur arrière, comme illustré.

REMARQUE : L'utilisation d'un disjoncteur de fuite de terre est déconseillée.

DÉGAGEMENTS DE L'APPAREIL

Lorsque vous installez l'appareil dans un coin :



Laissez un dégagement d'au moins 2-1/2 po entre les deux tiroirs et l'armoire, le mur ou d'autres appareils adjacents. Laissez au moins 23-1/8 po de dégagement à l'avant pour l'ouverture des tiroirs.

REMARQUE : Les dégagements des poignées personnalisées peuvent varier en fonction de la profondeur des poignées personnalisées.

- Vérifiez l'ouverture des tiroirs. Ouvrez et fermez soigneusement les tiroirs. Les tiroirs ne doivent pas frotter ou être bloqués par les armoires adjacentes. Avertissez l'installateur si les tiroirs entrent en contact avec les armoires. **REMARQUE :** Lors de l'installation de panneaux et de poignées personnalisés, utilisez les dégagements ci-dessus comme guide général, mais ajustez les mesures en fonction de l'installation.

Choisissez l'emplacement de l'appareil :

- Ces appareils peuvent être installés dans une armoire fermée sur le dessus et sur trois côtés, l'avant ne devant toutefois pas être obstrué pour assurer une bonne circulation de l'air et un accès facile aux tiroirs.
- N'installez pas ces appareils à un endroit où la température peut être inférieure à 55 °F (13 °C) ou supérieure à 100 °F (37 °C).
- Ces appareils ne sont pas conçus pour être empilés les uns sur les autres.

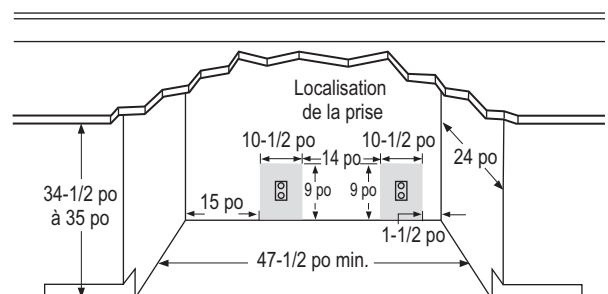
Options de panneau inférieur noir ou en acier inoxydable

- Ces appareils sont livrés avec deux panneaux inférieurs, un noir et un en acier inoxydable. À des fins d'expédition, l'un des panneaux inférieurs sera fixé à l'arrière de l'appareil, et le second sera installé en place sur l'appareil. Conservez le panneau et les autres pièces non utilisés ou retirés pour une éventuelle utilisation dans le futur.

INSTALLATIONS CÔTE À CÔTE – Modèles à panneau personnalisé uniquement

Pour un centre de rafraîchissements complet, installez un réfrigérateur à deux tiroirs à côté d'un centre de boissons ou d'un refroidisseur à vin/cellier.

- Une installation côte à côte nécessite une ouverture de 47-1/2 po de large au minimum. Aucun nécessaire de finition n'est requis.
- Les appareils doivent être branchés sur deux prises distinctes, convenablement mises à la terre.



* **REMARQUE :** Des dégagements supplémentaires peuvent être requis.

1 po = 2,5 cm; 1 pi = 0,3 m

Instructions d'installation

ÉTAPE 1 RETIRER L'EMBALLAGE ET LES PIÈCES D'INSTALLATION

- Retirez les blocs de coin et les butées de tiroir en mousse.
- Retirez tout le matériel d'emballage, le ruban adhésif et les revêtements de protection en plastique.

⚠ AVERTISSEMENT Les petits objets présentent un risque d'étouffement pour les enfants. Retirez et jetez toute pièce non utilisée.

⚠ AVERTISSEMENT RISQUE DE BASCULEMENT

Le haut de ces appareils est lourd, particulièrement lorsque des portes sont ouvertes. Par conséquent, ils doivent être fixés en place pour éviter un basculement vers l'avant qui pourrait entraîner des blessures graves ou la mort. Lisez et suivez toutes les instructions d'installation pour fixer l'appareil avec un système antibasculement.

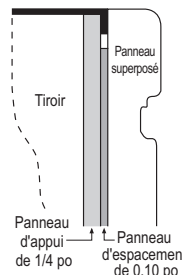


ÉTAPE 2 POSER LES PANNEAUX DE TIROIR PERSONNALISÉS DE 3/4 po ET DES POIGNÉES (modèle ZIDI240 uniquement)

Dimensions du panneau superposé de 3/4 po

Le modèle ZIDI240 nécessite des panneaux de tiroir superposés installés sur le terrain.

- Les panneaux superposés doivent être fixés à des panneaux d'appui de 1/4 po d'épaisseur qui se glissent dans les moulures. Un panneau d'espacement de 0,10 po d'épaisseur doit être placé entre le panneau superposé et le panneau d'appui.
- Des poignées personnalisées de votre choix, fournies par votre ébéniste, doivent être installées sur ces panneaux superposés. Fraisez toutes les vis dans les panneaux d'appui. Les vis ne doivent pas dépasser des panneaux d'appui.



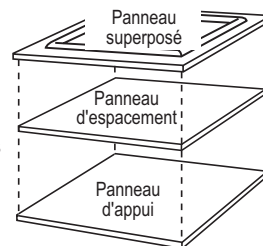
REMARQUE IMPORTANTE : Le poids total maximal des panneaux de tiroir personnalisés ne doit pas dépasser 25 lb (11,3 kg) (maximum de 12-1/2 lb [5,7 kg] pour chaque tiroir).

Dimensions du panneau superposé de 3/4 po (en pouces)		
	A (Largeur)	B (Hauteur)
Panneau d'appui de 1/4 po	23-3/16 po	14-11/16 po
Panneau d'espacement de 0,10 po	22-1/2 po	14-3/16 po
Panneau superposé de 3/4 po	23-5/8 po	15-1/16 po

* Maintenez un espace d'au moins 1/4 po entre les panneaux de tiroir supérieur et inférieur.

Assemblez les panneaux superposés avec de la colle et des vis.

- Centrez le panneau d'espacement sur le panneau d'appui, de gauche à droite et de haut en bas. Fixez les panneaux avec de la colle.
- Centrez le panneau d'espacement/ d'appui sur le panneau superposé. Fixez-le avec de la colle et des vis. Fraisez toutes les vis dans le panneau d'appui.

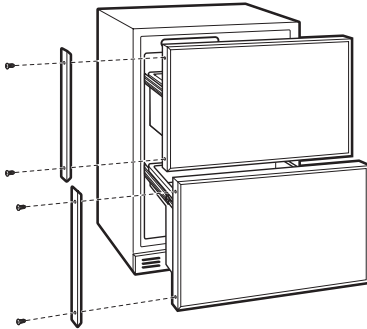


Instructions d'installation

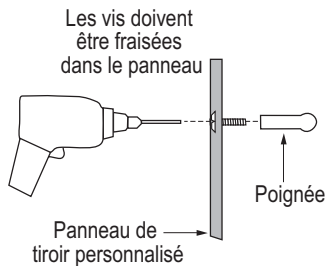
ÉTAPE 2 POSER LES PANNEAUX DE TIROIR PERSONNALISÉS DE 3/4 po ET DES POIGNÉES (suite) (modèle ZIDI240 uniquement)

Poser des panneaux de tiroir et poignées personnalisés :

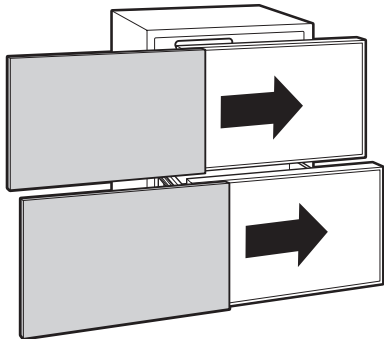
- Ouvrez les tiroirs.
- Retirez les 2 vis retenant chaque moulure; soulevez les moulures. Conservez les vis.



- Les poignées personnalisées de votre choix, fournies par votre ébéniste, doivent être installées sur le panneau superposé avant que les panneaux ne soient glissés dans les moulures. Fraisez toutes les vis dans les panneaux d'appui. Les vis ne doivent pas dépasser des panneaux d'appui.

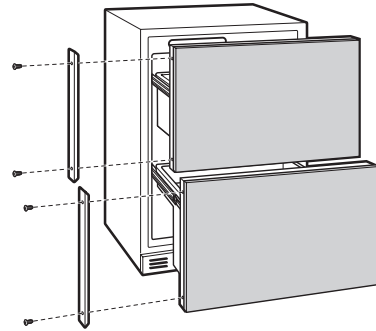


- Faites glisser les panneaux superposés dans les moulures.

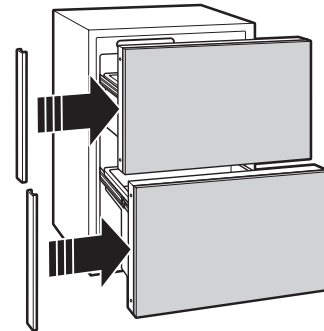


ÉTAPE 2 POSER LES PANNEAUX DE TIROIR PERSONNALISÉS DE 3/4 po ET DES POIGNÉES (suite) (modèle ZIDI240 uniquement)

- Réinstallez les moulures latérales en utilisant les vis de moulure retirées plus tôt.



- Placez les couvercles décoratifs brossés sur la moulure latérale pour cacher les têtes de vis. Assurez-vous que la moulure latérale est alignée de haut en bas et d'avant en arrière. Enclenchez le couvercle pour le fixer.



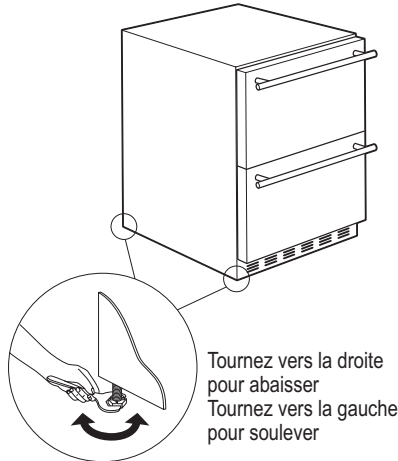
REMARQUE : À des fins d'expédition, le couvercle décoratif brossé sera fixé à l'avant de l'appareil.

Instructions d'installation

ÉTAPE 3 MISE À NIVEAU

Utilisez clé à molette pour tourner les pieds de mise à niveau et lever ou abaisser l'appareil.

- Mesurez le plancher jusqu'à la hauteur du comptoir, à l'intérieur de l'ouverture. Ajustez les pieds de mise à niveau jusqu'à ce que le produit se trouve à environ 1/8 po de moins que la hauteur du comptoir.



CONSEIL D'INSTALLATION :

Mesurez le plancher jusqu'au dessous du comptoir à l'intérieur de l'ouverture.

- Si le plancher de la pièce est plus haut que le plancher à l'intérieur de l'ouverture, réglez les pieds de mise à niveau arrière d'environ 1/8 po de moins que la hauteur de l'ouverture. Vissez les pieds de mise à niveau avant à fond pour raccourcir la hauteur à l'avant. Cela vous permettra d'incliner légèrement l'appareil dans l'ouverture. Une fois l'appareil dans la bonne position, les pieds avant peuvent être ajustés pour mettre l'appareil à niveau.

ÉTAPE 4 BRANCHER L'APPAREIL À LA PRISE ÉLECTRIQUE

- Branchez la fiche du cordon d'alimentation sur une prise convenablement mise à la terre.
- Assurez-vous que l'appareil est sous tension en ouvrant un tiroir pour voir si l'éclairage intérieur s'allume.
- Le ventilateur intérieur fonctionne en permanence sauf lorsqu'un tiroir est ouvert.

Consultez le Manuel de l'utilisateur pour plus de détails sur le ventilateur.

ÉTAPE 5 FAIRE GLISSER L'APPAREIL DANS L'OUVERTURE D'INSTALLATION

AVERTISSEMENT : Ne déplacez pas l'appareil en poussant les panneaux de tiroir avec vos genoux. Ne poussez pas et ne soulevez pas l'appareil par les poignées de tiroir. Cela pourrait endommager l'appareil!

- Ouvrez l'un des tiroirs et poussez doucement l'appareil dans l'ouverture avec vos mains placées sur les côtés. Prenez garde de ne pas emmêler le cordon d'alimentation.
- Vérifiez une nouvelle fois que l'appareil est de niveau. **Ajustez les pieds de mise à niveau jusqu'à ce que l'appareil repose fermement contre le dessous du comptoir pour éviter un basculement ou un mouvement pendant le fonctionnement.**
- Si l'alignement avec les armoires adjacentes pose un problème, utilisez une cale pour fixer l'appareil contre le dessous du comptoir.

ÉTAPE 6 RÉGLER LES COMMANDES DE TEMPÉRATURE

- Les commandes de température sont pré-réglées. Reportez-vous au Manuel de l'utilisateur pour plus d'informations. Attendez de 12 à 24 heures que la température se stabilise.

REMARQUE : Le réfrigérateur à deux tiroirs est très silencieux. Vous ne remarquerez peut-être pas que l'appareil fonctionne et, lors de la première installation, les ventilateurs et le moteur peuvent ne pas s'allumer immédiatement – cela est normal. Si l'afficheur est allumé et que la lumière fonctionne, l'appareil fonctionne.

Notes

REMARQUE : Lors de la procédure d'installation décrite dans ce manuel, il est recommandé de porter des lunettes de sécurité.

REMARQUE : L'amélioration des produits est un effort continu chez Monogram. Par conséquent, les matériaux, l'apparence et les spécifications peuvent être modifiés sans préavis.