



INSTALLATION INSTRUCTIONS

Side by Side Refrigerators With Design Guide

Pour obtenir une version française de ce manuel d'instructions,
visitez notre site monogram.com.

Para consultar una versión en español de este manual de instrucciones,
visite nuestro sitio de internet monogram.com.

Safety Information

BEFORE YOU BEGIN

Read these instructions completely and carefully.

- **IMPORTANT** – Save these instructions for local inspector's use. Observe all governing codes and ordinances.
- **Note to Installer** – Be sure to leave these instructions with the Consumer.
- **Note to Consumer** – Keep these instructions with your Owner's Manual for future reference.

If you received a damaged unit, you should immediately contact your dealer or builder.

Skill Level – Installation of this unit requires basic mechanical, carpentry and plumbing skills. Proper installation is the responsibility of the installer. Product failure due to improper installation is not covered under the Monogram Warranty. See the Owner's Manual for warranty information.

⚠ WARNING **Electrical Shock Hazard.**

Plug into a grounded 3-prong outlet.
Do not remove the ground prong.
Do not use an adapter.
Immediately discontinue use of a damaged supply cord. If the supply cord is damaged it must be replaced by a qualified service professional with an authorized service part from the manufacturer.

Do not use an extension cord with this appliance. Failure to follow these instructions can result in death, fire, or electrical shock.
Follow the instructions in the section Grounding the unit. This appliance must be installed with a means in the fixed house wiring or circuit breaker for disconnecting the appliance from the electrical supply after installation.

⚠ WARNING **Tip Over Hazard.**

These appliances are top heavy, especially with any doors open, and must be secured to prevent tipping forward which could result in death or serious injury. Read and follow the entire installation instructions for securing the appliance with the anti-tip system.

⚠ WARNING **Fire or Explosion Hazard.**

Keep flammable materials and vapors away from appliance. Failure to do so can result in fire, explosion, or death.

⚠ WARNING To reduce the risk associated with choking, do not allow children under 3 years of age to have access to small parts during the installation of this product.

⚠ CAUTION **Lifting Hazard**

This refrigerator is very heavy. To reduce the risk of person injury during maneuvering and installing this refrigerator, 3 people are required for proper installation of 36" wide model and 4 people are required for proper installation of a 42" or 48" wide model.

⚠ CAUTION Keep fingers out of the "pinch point" areas; clearances between the doors and between the doors and cabinet are necessarily small. Be careful closing doors when children are in the area.

For Monogram local service in your area, visit monogram.com or call 800.444.1845.

For Monogram service in Canada, visit monogram.ca or call 800.561.3344.

For Monogram Parts and Accessories, visit monogram.com/use-and-care/parts or call 800.444.1845. In Canada, call 800.661.1616.

Consignes de Sécurité

AVANT DE COMMENCER

Veillez lire toutes ces instructions attentivement.

- **IMPORTANT** – Conservez ces instructions à l'usage de l'inspecteur local. Observez tous les codes et décrets en vigueur.
- **Note à l'installateur** – Assurez-vous de laisser ces instructions au consommateur.
- **Note au consommateur** - Conservez ces instructions avec votre manuel d'utilisation pour consultation ultérieure.

Si vous avez reçu un appareil endommagé, veuillez communiquer immédiatement avec votre revendeur ou votre entrepreneur.

Niveau de compétence – L'installation de cet appareil exige des compétences de base en mécanique, menuiserie et plomberie. La responsabilité d'une installation adéquate relève de l'installateur. La garantie Monogram ne couvre pas les défauts du produit causés par une installation inadéquate. Consultez le manuel d'utilisation pour des renseignements sur la garantie.

⚠ AVERTISSEMENT



Risque d'électrocution.

Branchez l'appareil dans une prise à 3 broches mise à la terre. N'enlevez pas la broche de mise à la terre. N'utilisez pas un adaptateur.

Cessez immédiatement l'utilisation d'un cordon électrique endommagé. Si le cordon électrique est endommagé, son remplacement doit être exécuté par un technicien en réparation qualifié au moyen d'un cordon de rechange autorisé par le fabricant.

N'utilisez pas un cordon de rallonge avec cet électroménager.

Le non-respect de ces instructions peut occasionner un décès, un incendie ou un choc électrique

Suivez les instructions de la section Mise à la terre de l'appareil.

Le circuit électrique auquel cet électroménager sera raccordé doit comporter un disjoncteur ou un autre dispositif permettant de couper l'alimentation électrique à l'appareil après l'installation.

⚠ AVERTISSEMENT



Risque de basculement.

Ces électroménagers sont lourds du haut, notamment lorsqu'une porte est ouverte, de sorte qu'ils doivent être fixés pour prévenir un basculement vers l'avant susceptible d'occasionner des blessures graves ou la mort. Lisez et observez la totalité des instructions d'installation pour connaître la façon de fixer l'électroménager sur le dispositif antibasculement.

⚠ AVERTISSEMENT



Risque d'incendie ou d'explosion

Gardez les matériaux et les vapeurs inflammables à l'écart de l'appareil. L'omission de prendre cette précaution peut entraîner un incendie, une explosion ou la mort.

⚠ AVERTISSEMENT

Pour réduire le risque d'étouffement pendant l'installation de ce produit, ne pas laisser les petites pièces à la portée des enfants âgés de moins de 3 ans.

⚠ ATTENTION

Risque lié à la manipulation d'un objet lourd

Ce réfrigérateur est très lourd. Pour réduire le risque de blessure lors de la manutention de ce réfrigérateur, trois (3) personnes sont nécessaires pour procéder à l'installation appropriée du modèle 36 pouces, quatre (4) pour l'installation des modèles 42 ou 48 pouces.

⚠ ATTENTION

Gardez vos doigts éloignés des points de pincement. Les espaces entre les portes et ceux entre les portes et l'armoire sont particulièrement restreints. Soyez prudent lorsque vous fermez les portes en présence d'enfants.

Pour joindre le service Monogram de votre région, visitez monogram.com

Pour le service Monogram au Canada, visitez monogram.ca

Pour le service des Pièces et accessoires Monogram, visitez monogram.com/use-and-care/parts.

Información sobre Seguridad

ANTES DE COMENZAR

Lea estas instrucciones en su totalidad y atentamente.

- **IMPORTANTE** – Conserve estas instrucciones para uso del inspector local. Cumpla con todos los códigos y ordenanzas gubernamentales.
- **Nota para el Instalador** – Asegúrese de entregarle estas instrucciones al Comprador.
- **Nota para el Consumidor** – Guarde estas instrucciones con su Manual del Propietario para referencia futura.

Si la unidad que recibió está dañada, se deberá comunicar de inmediato con su vendedor o fabricante.

Nivel de habilidad – La instalación de esta unidad requiere un nivel básico de habilidades mecánicas, de carpintería y plomería. La correcta instalación del producto es responsabilidad del instalador. Si se producen fallas en el producto debido a una instalación inadecuada, la Garantía de Monogram no cubrirá las mismas. Para obtener información sobre la garantía, consulte el Manual del Propietario.

⚠ ADVERTENCIA **Riesgo de Descarga Eléctrica**

Enchufe en un tomacorriente con conexión a tierra de 3 cables.

No elimine el cable de conexión a tierra.

No use un adaptador.

Inmediatamente interrumpa el uso de un cable de suministro de corriente dañado. Si el cable de corriente se encuentra dañado, su reemplazo deberá ser realizado por un profesional calificado del servicio técnico, utilizando una pieza del servicio técnico autorizada por el fabricante.

No use prolongadores con este electrodoméstico.

Si no se siguen estas instrucciones, se podrá producir la muerte, incendios o descargas eléctricas.

Siga las instrucciones que figuran en la sección de Conexión de Tierra de la unidad.

Este electrodoméstico deberá ser instalado por algún medio en el cableado fijo del hogar o en un disyuntor para desconectar el electrodoméstico del suministro eléctrico luego de la instalación.

⚠ ADVERTENCIA **Riesgo de Caídas**

Estos electrodomésticos son inestables, especialmente cuando una puerta se encuentre abierta, y deben estar asegurados a fin de evitar caídas hacia adelante que podrían resultar en la muerte o en lesiones graves. Lea y siga las instrucciones de instalación en su totalidad para asegurar el electrodoméstico con el sistema anti volcaduras.

⚠ ADVERTENCIA **Riesgo de Explosión**

Mantenga cualquier material y vapores inflamables, tales como gasolina, alejados del electrodoméstico. Si no se cumple con esto, se podrá producir una explosión, un incendio o la muerte.

⚠ ADVERTENCIA A fin de reducir el riesgo asociado con descargas, no permita que los niños menores de 3 años de edad tengan acceso a las partes pequeñas durante la instalación de este producto.

⚠ PRECAUCIÓN **Riesgo al levantar la puerta**

Este refrigerador es muy pesado. A fin de reducir el riesgo de lesiones personales durante la maniobra e instalación de este refrigerador, se requiere contar con 3 personas para una correcta instalación del modelo de 36" de ancho y con 4 personas para una correcta instalación del modelo de 42" o 48".

⚠ PRECAUCIÓN Mantenga los dedos fuera de los espacios de "riesgo de lastimaduras"; los espacios entre las puertas y entre las puertas y el gabinete son necesariamente pequeños. Tenga el cuidado de cerrar las puertas cuando se encuentren niños en el área.

Para acceder al servicio local de Monogram en su área, visite monogram.com

Para acceder al servicio de Monogram en Canadá, visite monogram.ca

Para acceder a Piezas y Accesorios de Monogram, visite monogram.com/use-and-care/parts

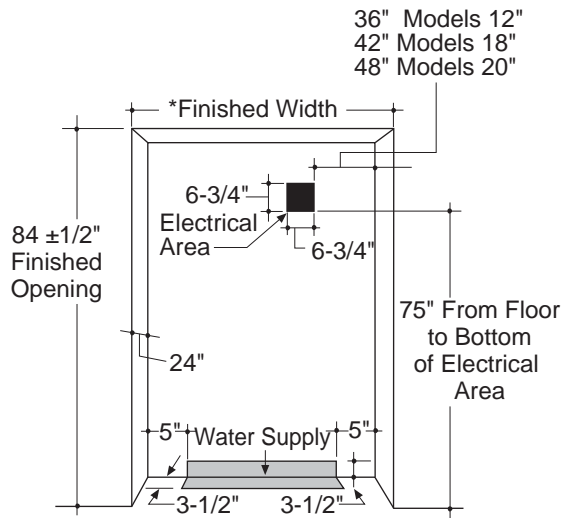
Contents

Safety	2	Instructions for Flush Inset Installation	27
Instructions for Standard Installation	6	Instructions for Stainless Steel Installation	28
Planning Guide		Planning Guide	
The Installation Space	7	The Installation Space	29
Dimensions and Clearances	8	Dimensions and Clearances	30
Customization Basics	9	Customization Basics	31
Side Panels	9	Side Panels	31
Refrigerator Location	9	Refrigerator Location	31
Optional Accessory Kits	9	130° Door Swing	32
1/4" Framed Panel Dimensions	10	90° Door Swing	33
3/4" Overlay Panel Dimensions	11	Installation Instructions	
130° Door Swing	12	Tools, Hardware, Materials	34
90° Door Swing	13	Grounding the Unit	34
Dispenser Trim	14	Step 1. Remove Packaging	35
Installation Instructions		Step 2. Moving the Refrigerator into the House	35
Tools, Hardware, Materials	14	Step 3. Install Water Line	36
Grounding the Unit	15	Step 4. Installation with Water Filtration System	37
Step 1. Remove Packaging	16	Step 5. Install Side Panels	37
Step 2. Move the Refrigerator into the House	16	Step 6. Anti-Tip Procedure	37
Step 3. Install Water Line	16	Step 7. Level Refrigerator	38
Step 4. Installation with Filtration System	17	Step 8, Alternate Anti-Tip Procedure	38
Step 5. Install Side Panels	17	Step 9. Adjust Door Swing	39
Step 6. Anti-Tip Procedures	17	Step 10. Connect Water Supply	39
Step 7. Level Refrigerator	19	Step 11. Connect Power, Close Grille Panel	40
Step 8. Alternate Anti-Tip Procedure	19	Step 12. Start Icemaker	40
Step 9. Adjust Door Swing	20	Step 13. Install Toekick	41
Step 10. Install Grille Panel	20	Inspect Final Installation	41
Step 11. Install 1/4" Framed Panels	21		
Step 11A. Install Overlay Panels	22		
Step 12. Connect Water Supply	24		
Step 13. Connect Power, Close Grille Panel	25		
Step 14. Start Icemaker	25		
Step 15. Install Toekick	26		
Inspect Final Installation	26		

Instructions for Standard Installation

Design Guide - Standard Installation

THE INSTALLATION SPACE



*The finished cutout width must be:
35-1/2" (90.17 cm) for 36" models
41-1/2" (105.41 cm) for 42" models
47-1/2" (120.65 cm) for 48" models

Water And Electrical Locations

The opening must be prepared with the electrical and the cold water supply located as shown.

The Cutout Depth Must Be 24" (60.96 cm)

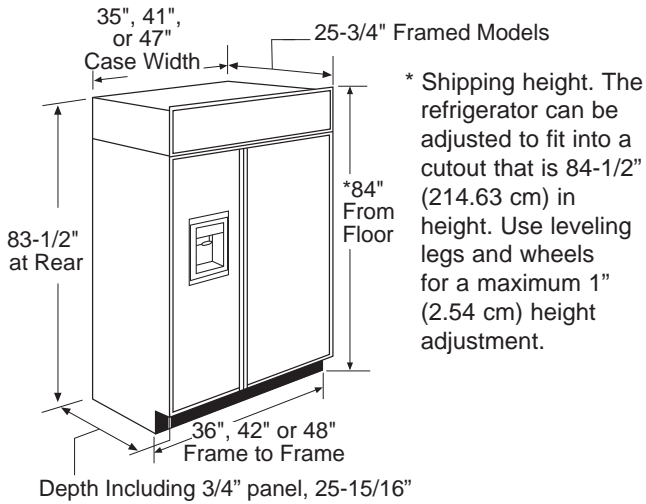
The refrigerator will project forward, slightly beyond adjacent cabinetry for standard installation.

Additional Specifications

- A 115 volt 60Hz., 15 or 20 amp power supply is required. An individual properly grounded branch circuit or circuit breaker is recommended. Install a properly grounded 3-prong electrical receptacle recessed into the back wall. Electrical must be located on the rear wall as shown.
- Water line can enter the opening through the floor or back wall. Route SmartConnect™ kit or 1/4" O.D. copper tubing between the cold water line and the water connection location. The tubing should be long enough to extend to the front of the refrigerator. Installation of an easily accessible shut-off valve in the water line is required.

Design Guide - Standard Installation

DIMENSIONS AND CLEARANCES



Product Clearances

These refrigerators are equipped with a 3-position door stop. The factory-set 115° door swing can be adjusted to 130°, or to 90° on panel models or 90° on stainless steel models if clearance to adjacent cabinets or walls is restricted.

Panel Models Only: Allow minimum clearances for the freezer door (Dimension A) and fresh food door (Dimension B) for a full 130° door swing and to allow for pan removal.

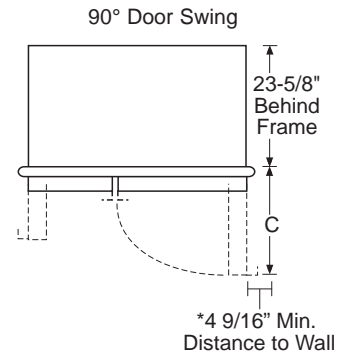
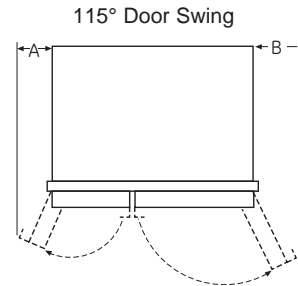
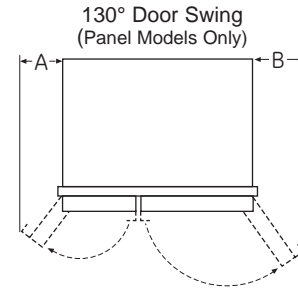
For a 90° door swing, allow 4 9/16" (11.59 cm) min. clearance to a wall. If the 90° door stop position is used, pan access is maintained, but pan removal is restricted. See the illustrations on pages 12 and 13 to determine door swing interaction with adjacent cabinets or countertops.

Dimensions based on custom handles height of 2 9/16" (6.51 cm).

ZISB36	A	B	C
90°	4-9/16" (11.59 cm)	4-9/16" (11.59 cm)	20-5/8" (52.23 cm)
130°	13" (33.02 cm)	15" (38.1 cm)	20-5/8" (52.23 cm)

ZIS420 ZISB42	A	B	C
90°	4-9/16" (11.59 cm)	4-9/16" (11.59 cm)	26-5/8" (67.47 cm)
130°	13" (33.02 cm)	19" (48.26 cm)	26-5/8" (67.47 cm)

ZIS480 ZISB48	A	B	C
90°	4-9/16" (11.59 cm)	4-9/16" (11.59 cm)	28-5/8" (72.71 cm)
130°	15" (38.1 cm)	20" (52.23 cm)	28-5/8" (72.71 cm)



Design Guide - Standard Installation

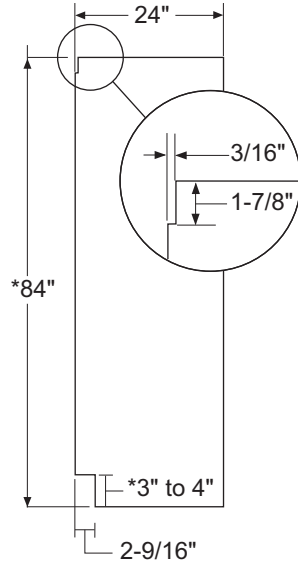
CUSTOMIZATION BASICS:

These refrigerators are designed to be customized with decorative panels. Field installed custom door and grille panels are required.

SIDE PANELS

Side panels must be used whenever the sides of the refrigerator will be exposed. The 1/4" (0.63 cm) side panels will slip into the side case trim. Secure the panels to the refrigerator with stick-on hook and loop fastener strips. Order the side panels from the cabinet manufacturer.

- Cut a notch in the top front corner as shown to allow clearance for corner keys in the front side trim. * Depending on installation height.



REFRIGERATOR LOCATION

- Do not install the refrigerator where the temperature will go below 55°F (13°C). It will not run often enough to maintain proper temperatures.
- Do not install the refrigerator where temperatures will go above 100°F (37°C). It will not perform properly.
- Do not install the refrigerator in a location exposed to water (rain, etc.) or direct sunlight.
- Install it on a floor strong enough to support it fully loaded (approximately 1500 pounds)..

OPTIONAL ACCESSORY KITS

ZKLN: Visor handle kit for use on custom panel models in a standard installation.

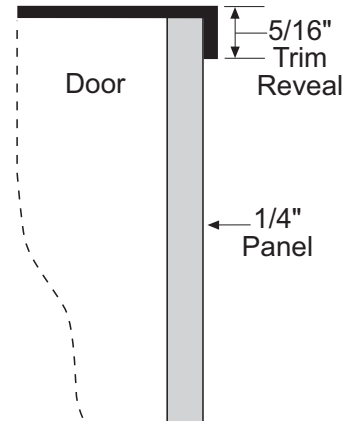
Design Guide - Standard Installation

1/4" (0.63 cm) FRAMED PANEL DIMENSIONS

If you choose to install framed panels, they must be cut to the dimensions shown. The panels will slide into the frame on the door and grille.

Non-Dispenser Models

If the custom panel is less than 1/4" (0.63 cm) thick and it fits loosely in the door frame it can be backed up with a piece of filler material or foam tape to improve the fit.



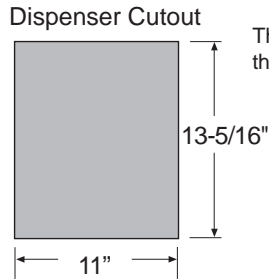
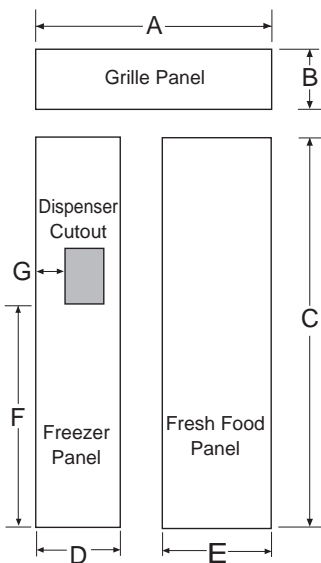
- IMPORTANT NOTE:** Maximum total panel weight:
- Fresh food door panel – 75 lbs. (34.0 kg)
 - Freezer door panel – 53 lbs. (24.0 kg)
 - Grille Panel – 18 lbs. (8.16 kg)

IMPORTANT NOTE – DISPENSER MODELS

The refrigerator is supplied with two dispenser trims, one for framed panels and one for overlay panels.

- If the panel is less than 0.250" (0.63 cm) thick, a noticeable gap may be created around the dispenser trim. Foam tape may be applied on the door to improve the fit.
- If the panel is more than 0.250" (0.63 cm) thick, the dispenser trim cannot be secured to the door.

See Dispenser Trim Fit Example, page 13.



The framed panel must be 1/4" (0.63 cm) nominal thickness to fit the dispenser trim.

Side-by-Side (in inches)

	Side-by-Side (in inches)					Dispenser Cutout Position	
	A	B	C	D	E	F	G
36" Models	33-7/8	9	68-3/8	14-9/16	18-9/16	34-3/16	1-7/8
42" Models	39-7/8	9-1/2	68-3/8	14-9/16	24-9/16	34-3/16	1-7/8
48" Models	45-7/8	9-1/2	68-3/8	18-9/16	26-9/16	34-3/16	3-7/8

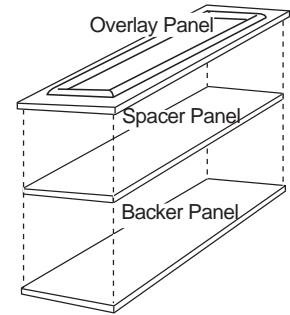
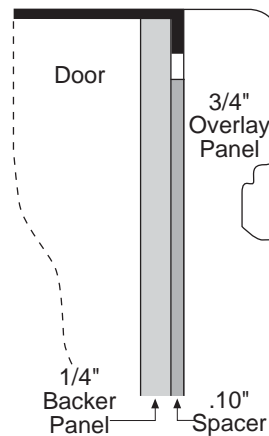
Design Guide - Standard Installation

3/4" (1.91 cm) OVERLAY PANEL DIMENSIONS

For a more custom appearance, overlay panels may be installed on trimmed models. The overlay panel must be secured to a 1/4" (0.63 cm) thick backer panel which slides into the trim. A spacer panel 0.10" (0.25 cm) thick must be placed between the overlay and backer panel.

Assemble the panels with glue and screws:

- Center the spacer panel on the backer panel, left to right and top to bottom. Secure the panels with glue.
- Center the spacer and backer panel on the overlay panel and secure with glue and screws. Screws must be countersunk into the backer panel.



NOTE: Left-to-right offset is not always equal to top-to-bottom offset.

$$.250" + .10" + .750" = 1.100" \text{ Total Panel Thickness}$$

$$0.63 + 0.25 + 1.91 = 2.79 \text{ cm}$$

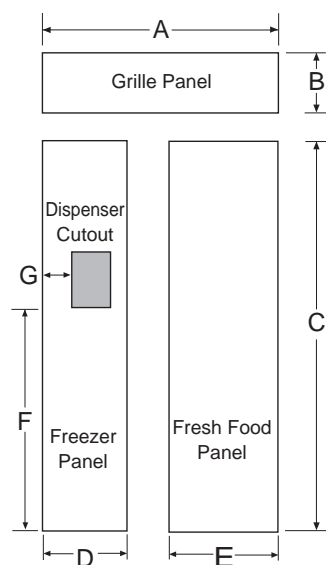
IMPORTANT NOTE – DISPENSER MODELS

The refrigerator is supplied with two dispenser trims, one for framed panels and one for overlay panels. The overlay dispenser trim is designed to fit a total panel thickness of 1.100".

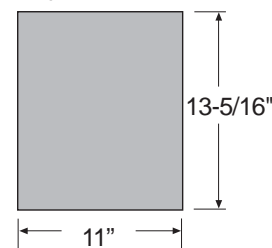
- If the panel is less than 1.100" (2.79 cm) a noticeable gap may be created around the dispenser trim.
- If the panel is more than 1.100" (2.79 cm) the dispenser trim cannot be secured to the door.

See Dispenser Trim Fit Example, page 13.

- The overlay panel must be constructed according to the specifications shown to achieve the correct total thickness.
- Alternative panel construction methods such as securing a 3/4" (1.91 cm) panel to a 1/4" (0.63 cm) backer panel cannot be used. Another method, routing a 3/4" (1.91 cm) thick panel on all sides, cannot be used. These methods will not result in the required 1.100" (2.79 cm) panel thickness.



Dispenser Cutout



*Cut the dispenser opening after the backer, spacer and overlay panels have been assembled.

IMPORTANT NOTE: Maximum total weight for the assembled panels:

- Fresh food door panel – 75 lbs. (34.0 kg)
- Freezer door panel – 53 lbs. (24.0 kg)
- Grille Panel – 18 lbs. (8.16 kg)

36" Side-by-Side (in inches)

	A	B	C	D	E	Dispenser Cutout Position	
	F	G					
1/4" Backer Panel	33-7/8	9	68-3/8	14-9/16	18-9/16		
.10" Spacer Panel	33	8-3/8	67	13-1/4	17-1/4		
3/4" Overlay Panel	34-1/8	9-1/4	68-5/8	14-13/16	18-13/16	34-5/16	2

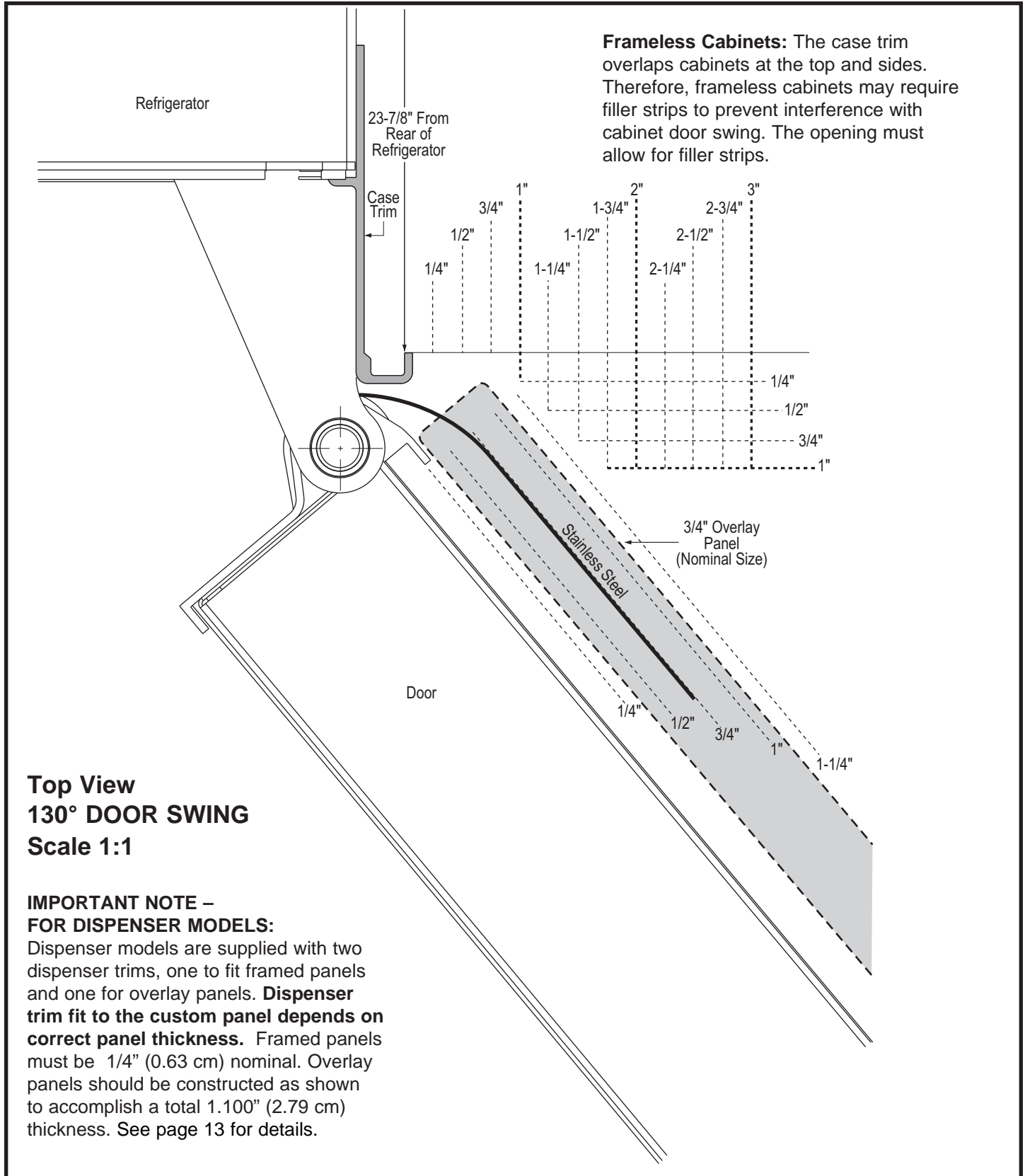
42" Side-by-Side (in inches)

	A	B	C	D	E	Dispenser Cutout Position	
	F	G					
1/4" Backer Panel	39-7/8	9-1/2	68-3/8	14-9/16	24-9/16		
.10" Spacer Panel	39	8-5/8	67	13-1/4	23-1/4		
3/4" Overlay Panel	40-1/8	9-3/4	68-5/8	14-13/16	24-13/16	34-5/16	2

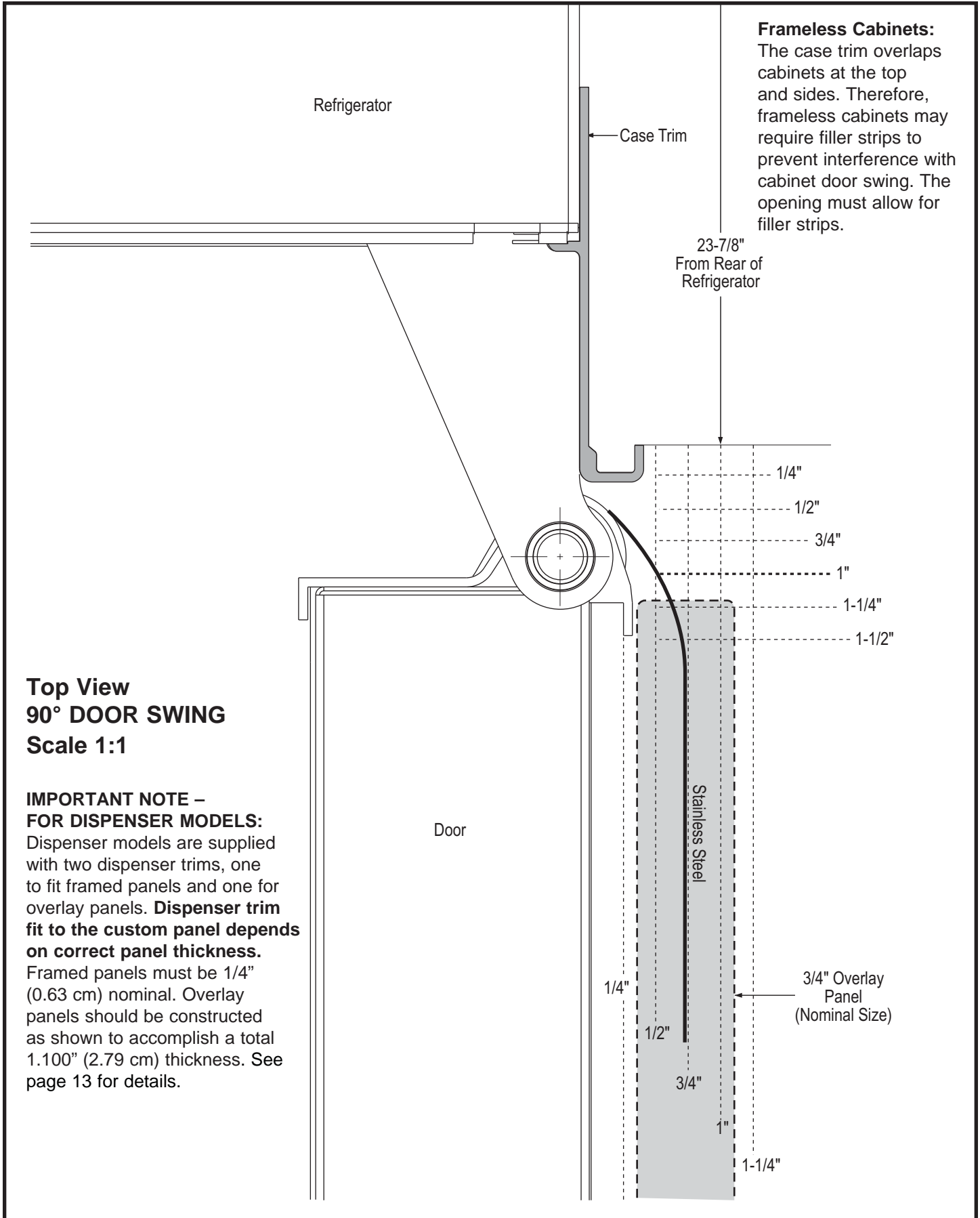
48" Side-by-Side (in inches)

	A	B	C	D	E	Dispenser Cutout Position	
	F	G					
1/4" Backer Panel	45-7/8	9-1/2	68-3/8	18-9/16	26-9/16		
.10" Spacer Panel	45	8-5/8	67	17-1/4	25-1/4		
3/4" Overlay Panel	46-1/8	9-3/4	68-5/8	18-13/16	26-13/16	34-5/16	4

Design Guide - Standard Installation



Design Guide - Standard Installation



Frameless Cabinets:
The case trim overlaps cabinets at the top and sides. Therefore, frameless cabinets may require filler strips to prevent interference with cabinet door swing. The opening must allow for filler strips.

**Top View
90° DOOR SWING
Scale 1:1**

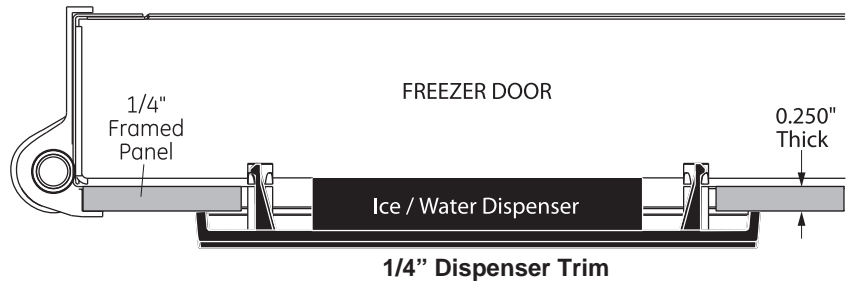
IMPORTANT NOTE – FOR DISPENSER MODELS:
Dispenser models are supplied with two dispenser trims, one to fit framed panels and one for overlay panels. **Dispenser trim fit to the custom panel depends on correct panel thickness.** Framed panels must be 1/4" (0.63 cm) nominal. Overlay panels should be constructed as shown to accomplish a total 1.100" (2.79 cm) thickness. See page 13 for details.

Installation Instructions - Standard Installation

DISPENSER TRIM FIT EXAMPLES: (NOT TO SCALE)

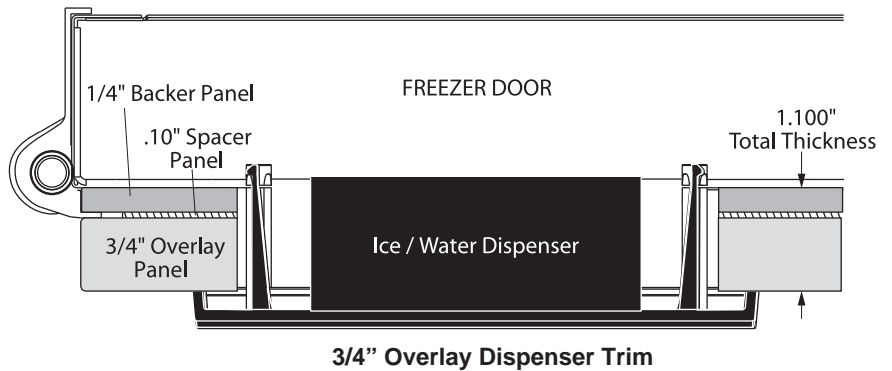
1/4" (0.63 cm) FRAMED PANEL

- The dispenser trim fits over the custom panel and snaps into the freezer door.
- The clips will not engage the door if the panel is more than 0.250" (0.63 cm) thick.
- If the panel is less than 0.250" (0.63 cm) thick, a noticeable gap may be created around the dispenser trim.



3/4" (1.91 cm) OVERLAY PANEL

- The dispenser trim fits over the custom panel and snaps into the freezer door.
- The clips will not engage the door if the panel is more than 1.100" (2.79 cm) thick.
- If the panel is less than 1.100" (2.79 cm) thick, a noticeable gap may be created around the dispenser trim.



TOOLS AND MATERIALS REQUIRED

- Tinsnips to cut banding
- Stepladder
- 1" Bit extension
- Tape measure
- Gloves
- 1/4" Drywall screws
- 5-Gal. Bucket with cover
- 6" Spirit level
- Appliance hand truck
- Tubing cutter
- 7/16" open-end wrench
- #2 Phillips screwdriver
- Drill and appropriate bits
- 5/16", 7/16" socket
- Safety glasses
- 1-1/8" open end wrench
- Pliers
- 1/4", 5/16" Combo Ratchet
- 35" long 2x4 for Anti-Tip support
- 1/4" copper water line tubing or SmartConnect™ Refrigerator Tubing kits
- Water shut-off valve
- Custom panels for doors and grille panel
- Screws to secure refrigerator to cabinetry
- Stick-on hook and loop fastener strips for 1/4" side panels

HARDWARE SUPPLIED

- Water filter bypass plug (on some models)
- Toekick
- 1/4" nut and ferrule
- Dispenser trim for overlay panels (for use with Custom Panel models).

FLOORING

For proper installation, this refrigerator must be placed on a level surface of hard material that is at the same height as the rest of the flooring. This surface should be strong enough to support a fully loaded refrigerator, or approximately 1,500 lbs.(680.39 kg).

NOTE: Protect the finish of the flooring. Cut a large section of the cardboard carton and place under the refrigerator where you are working.

Installation Instructions - Standard Installation

GROUNDING THE REFRIGERATOR

⚠ WARNING  **Electrical Shock Hazard.**

Failure to follow these instructions can result in death, fire, or electrical shock.

The power cord of this appliance is equipped with a 3-prong (grounding) plug which mates with a standard 3-prong (grounding) wall receptacle to minimize the possibility of electric shock hazard from this appliance.

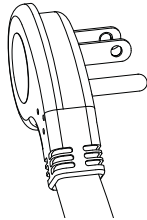
Have the wall outlet and circuit checked by a qualified electrician to make sure the outlet is properly grounded.

Where a standard 2-prong wall outlet is encountered, it is your personal responsibility and obligation to have it replaced with a properly grounded 3-prong wall outlet.

DO NOT, UNDER ANY CIRCUMSTANCES, CUT OR REMOVE THE THIRD (GROUND) PRONG FROM THE POWER CORD.

DO NOT USE AN ADAPTER PLUG TO CONNECT THE REFRIGERATOR TO A 2-PRONG OUTLET.

DO NOT USE AN EXTENSION CORD WITH THIS APPLIANCE.



MISE À LA TERRE DU RÉFRIGÉRATEUR

⚠ AVERTISSEMENT  **Risque de choc électrique.**

Le non-respect de ces instructions peut entraîner des risques d'incendies, des chocs électriques ou la mort.

Le cordon d'alimentation de cet appareil est équipé d'une fiche à trois broches (pour une mise à la terre) qui s'adapte à la prise de courant standard à 3 broches (pour une mise à la terre) pour minimiser les risques de chocs électriques par cet appareil.

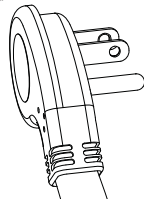
Faites vérifier la prise murale et le circuit électrique par un électricien qualifié pour s'assurer que le système est correctement mis à la terre.

Dans le cas d'une prise biphasée, l'installateur a la responsabilité et l'obligation de la remplacer par une prise triphasée correctement mise à la terre.

NE COUPEZ PAS OU N'ENLEVEZ PAS, SOUS AUCUN PRÉTEXTE, LA TROISIÈME BROCHE DE MISE À LA TERRE DU CORDON D'ALIMENTATION.

N'UTILISEZ PAS D'ADAPTATEUR POUR BRANCHER LE RÉFRIGÉRATEUR À UNE PRISE BIPHASÉE.

N'UTILISEZ PAS DE RALLONGE AVEC CET APPAREIL.



CONEXIÓN A TIERRA DEL REFRIGERADOR

⚠ ADVERTENCIA  **Riesgo de Descarga Eléctrica**

Si no se siguen estas instrucciones, se podrá producir la muerte, incendios o descargas eléctricas.

El cable de corriente de este electrodoméstico cuenta con un enchufe de 3 cables (conexión a tierra) que se conecta a un tomacorriente de pared estándar de 3 cables (conexión a tierra) para minimizar el riesgo de posibles descargas eléctricas por parte del mismo.

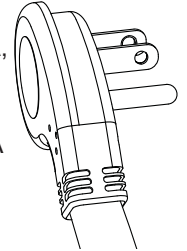
Contrate a un electricista calificado para que controle el tomacorriente y el circuito eléctrico, a fin de asegurar que el enchufe esté correctamente conectado a tierra.

En caso de contar con un tomacorriente de pared de 2 cables, es su responsabilidad y obligación reemplazarlo por un tomacorriente de pared de 3 cables correctamente conectado a tierra.

NUNCA, BAJO NINGUNA CIRCUNSTANCIA, CORTE NI ELIMINE EL TERCER CABLE (TIERRA) DEL CABLE DE CORRIENTE.

NO USE UN ENCHUFE ADAPTADOR PARA CONECTAR EL REFRIGERADOR A UN TOMACORRIENTE DE 2 PATAS.

NO USE UN PROLONGADOR CON ESTE ELECTRODOMÉSTICO.



Installation Instructions - Standard Installation

STEP 1 REMOVE PACKAGING

⚠ WARNING Tip Over Hazard.

The refrigerator is much heavier at the top than at the bottom—be careful when moving. When using a hand truck, handle from the side only.

⚠ AVERTISSEMENT Risque de

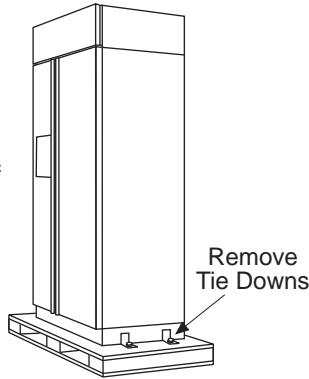
basculement Le réfrigérateur est beaucoup plus lourd en haut qu'en bas. Il faut être prudent lors des déplacements. Si un diable est utilisé, il faut soulever le réfrigérateur sur le côté seulement.

⚠ ADVERTENCIA Riesgo de Caídas

El refrigerador es mucho más pesado en su parte superior que en su parte inferior – tenga cuidado al moverlo. Al usar un carro manual, sosténgalo de costado únicamente.

- Carefully cut banding at the top and bottom, remove the outer carton.
- Slide out the back corner posts (2).
- Slide the carton off the top of the cabinet.

NOTE: IT IS NOT NECESSARY TO LAY THE CABINET DOWN IN ORDER TO REMOVE THE SKID!



- The unit is secured to the skid with 4 slotted tie-down straps. Remove the six 7/16" bolts from the base channels in the tie-downs.
 - Remove the six 7/16" bolts securing the straps to the skid.
- NOTE: DO NOT ATTEMPT TO ROLL UNIT OFF SKID.**


- The support blocks on the bottom of the refrigeration case must be removed before the refrigerator is taken off the skid or damage will occur. Carefully tilt the refrigerator and slide the blocks out from beneath.
- Remove the toekick, taped to the left side of the refrigerator, and set aside for final installation.
- Lift the refrigerator off the skid with an appliance dolly. Handle from the sides.

STEP 2 MOVE THE REFRIGERATOR INTO THE HOUSE

- Re-use the corner posts from the packaging to protect stainless steel models. Run the appliance dolly straps over the posts and under the handles.
- Leave the protective film on the refrigerator until installation is complete. **IMPORTANT:** Never lift the refrigerator by the handle or push against the grille panel; this could cause damage or misalignment.
- Avoid laying the unit on its back or side to prevent sealed system restrictions.

STEP 3 INSTALL WATER LINE

⚠ WARNING Connect to potable water supply only. A cold water supply is required for automatic icemaker operation. The water pressure must be between 40 and 120 psi (275-827 kilopascals).

⚠ WARNING  **ELECTRIC SHOCK HAZARD**
Attach tubing clamp using existing hole only. DO NOT drill into the refrigerator.

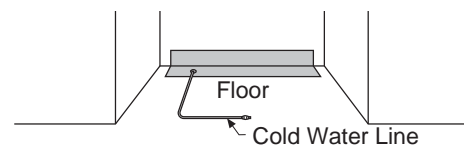
⚠ AVERTISSEMENT Raccordez l'appareil à une alimentation d'eau potable seulement. Une alimentation d'eau froide est requise pour faire fonctionner la machine à glaçons et le pichet à remplissage automatique. La pression d'eau doit se situer entre 40 et 120 psi. (275 à 827 kPa).

⚠ AVERTISSEMENT  **RISQUE DE DÉCHARGE ÉLECTRIQUE**
Fixez le collier de serrage dans le trou présent seulement. NE PERCEZ PAS dans le réfrigérateur.

⚠ ADVERTENCIA Realice la conexión a un suministro de agua potable únicamente. Se requiere un suministro de agua fría para el funcionamiento de la máquina de hielos automática y de la jarra de llenado automático. La presión del agua deberá estar entre 40 y 120 p.s.i. (275 – 827 kPa).

⚠ ADVERTENCIA  **PELIGRO DE DESCARGA ELÉCTRICA**
Adhiera la abrazadera de la tubería usando el agujero existente únicamente. NO perfore el refrigerador.

- A cold water supply is required for automatic icemaker operation. The water pressure must be between 40 and 120 p.s.i. (275-827 kPa).
- Route 1/4" OD copper or SmartConnect™ plastic tubing between house cold water line and the water connection location.
- The tubing should be long enough to extend to the front of the refrigerator. Allow enough tubing to accommodate the bend leading into the water line connection.



NOTE: The only Monogram approved plastic tubing is supplied in the SmartConnect™ Refrigerator Tubing kits. Do not use any other plastic water supply line because the line is under pressure at all times. Other types of plastic may crack or rupture with age and cause water damage to your home.

Installation Instructions - Standard Installation

STEP 3 INSTALL WATER LINE (Cont.)

SmartConnect™ Refrigerator Tubing Kits are available in the following lengths:

- 2' (.6 m) WX08X10002
- 8' (2.4 m) WX08X10006
- 15' (4.6 m) WX08X10015
- 25' (7.6 m) WX08X10025

Shut off the main water supply.

Turn on the nearest faucet long enough to clear the line of water.

- Install a shut-off valve between the icemaker water valve and cold water pipe in a basement or cabinet. The shut-off valve should be located where it will be easily accessible.
- Turn on the main water supply and flush debris. Run about a quart of water through the tubing into a bucket. Shut off the water supply at the shut-off valve.

NOTE: Saddle type shut-off valves are included in many water supply kits. Before purchasing, make sure a saddle type valve complies with your local plumbing codes.

NOTE: Commonwealth of Massachusetts Plumbing Codes 248CMR shall be adhered to. Saddle valves are illegal and use is not permitted in Massachusetts. Consult with your licensed plumber.

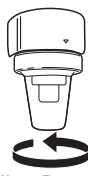
STEP 4 WATER LINE INSTALLATION WITH A REVERSE OSMOSIS SYSTEM OR OTHER HOUSEHOLD FILTRATION SYSTEM

Skip this step when not using an RO System or other household filtration system.

If the water supply to the refrigerator is from a household filtration system, use the refrigerator's filter bypass plug. Using the refrigerator's water filtration cartridge with the RO filter can result in hollow ice cubes.



Rotate Counterclockwise to Remove



Filter Bypass Plug

To obtain a free bypass plug, visit monogram.com or call 800.444.1845. In Canada, visit monogram.ca or call 800.661.1616. The bypass plug is installed in the same way as a filter cartridge.

The icemaker will not operate without the filter or filter bypass plug.

STEP 5 INSTALL SIDE PANELS

Skip this step when not using side panels. If you are using 1/4" (0.63 cm) side panels, they should be inserted into the case trim. Fasten the panels to the refrigerator with stick-on hook and loop fastener strips before setting the refrigerator in place.

STEP 6 ANTI-TIP PROCEDURE

▲ WARNING



Tip Over Hazard.

These refrigerators are top heavy, especially with any doors open, and must be secured to prevent tipping forward which could result in death or serious injury. Read and follow the entire installation instructions for securing the refrigerator with the anti-tip system.

▲ AVERTISSEMENT



Risque de

basculement

Ces réfrigérateurs présentent une partie supérieure lourde, en particulier avec une porte ouverte; ils doivent donc être fixés pour prévenir le basculement vers l'avant et le risque concomitant de blessure grave ou fatale. Lisez et suivez les instructions d'installation complètes pour l'installation du système anti-basculement.

Installation Instructions - Standard Installation

STEP 6 ANTI-TIP PROCEDURE (Cont.)

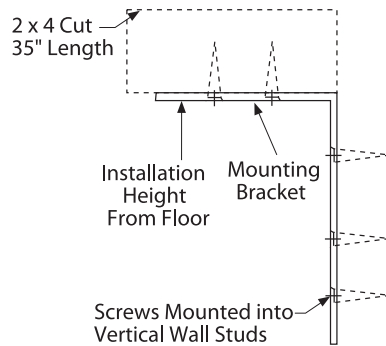
⚠ ADVERTENCIA



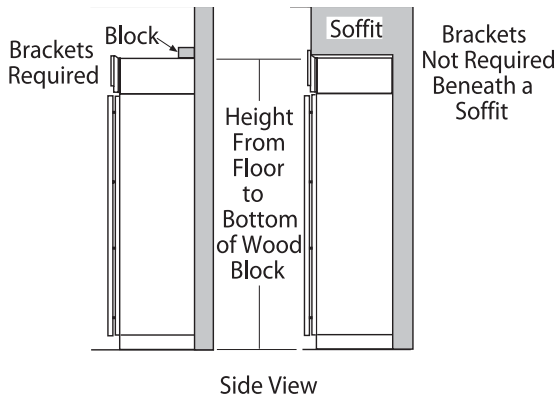
Riesgo de Caídas

Estos refrigeradores son inestables, especialmente cuando una puerta se encuentre abierta, y deberán estar asegurados a fin de evitar caídas hacia adelante que podrían resultar en la muerte o en lesiones graves. Lea y siga las instrucciones de instalación en su totalidad para asegurar el refrigerador con el sistema anti volcaduras.

- Cut a 2" x 4" block, 35" (88.9 cm) long and secure the block to the mounting brackets provided using #12 or #14 wood screws.
- Secure the bracket with wood block to the back wall so that it is 84" (213.36 cm) from the finished floor. Use #12 or #14 wood screws. See the illustration.
- The screws must penetrate at least one inch into the vertical wall studs.
- If metal wall studs, use self-tapping sheet metal screws in place of wood screws.



IMPORTANT: When the refrigerator is installed under a soffit or if there is not enough height for this method of security, brackets cannot be used. Proceed to step 7 to level the refrigerator and then to step 8 to secure refrigerator to cabinets. The refrigerator must be secured to prevent tipping.



STEP 6 ANTI-TIP PROCEDURE (Cont.)

Connect Power Cord:

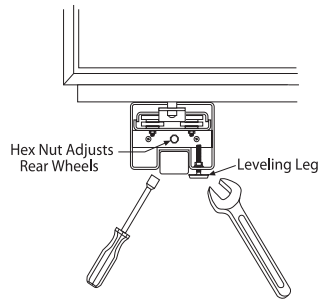
- Before pushing the refrigerator into the opening, plug the power cord into the receptacle. The water filter guard will need to be removed for access (some models). Remove the 3 screws holding it in place. If access is still too tight, remove the 2 screws holding the water filter bracket and move aside. Open the grille panel and reach into the opening at the back to grasp the power cord. Pull the power cord into the opening as you push the refrigerator back. Secure the bracket and guard with the original screws.
- Gently push refrigerator into the opening with hands against front corners.

Installation Instructions - Standard Installation

STEP 7 LEVEL REFRIGERATOR

All models have 4-point leveling. The front is supported by leveling legs, the rear is supported by adjustable wheels. Both are accessible from the front of the refrigerator.

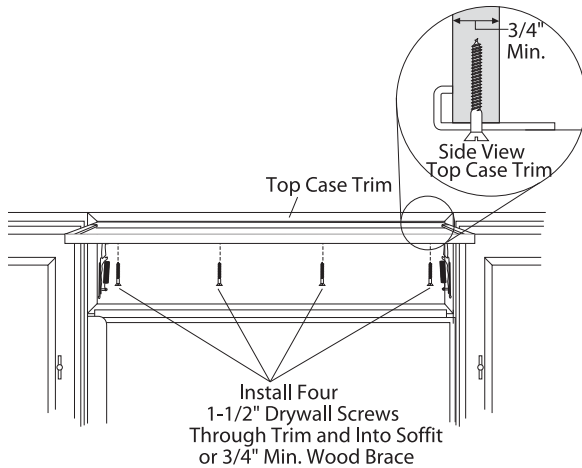
- To level the back of the refrigerator, turn the 7/16" hex nut located above the front wheels. Turn clockwise to raise or counterclockwise to lower the refrigerator.



- For front leveling, use a 1-1/4" open-end wrench.
- Adjust height of refrigerator to match installation cutout opening 84-1/2" (214.63 cm). The refrigerator should be level and plumb with cabinetry. **NOTICE:** The rear leveling wheels and front leveling legs are limited to a maximum height adjustment of 1" (2.54 cm). If the installation requires more than 84-1/2" (214.63 cm) height, the installer should elevate the refrigerator on a sheet of plywood or runners. Cabinetry trim could also be added across the top of the opening to shorten the opening. **If you attempt to raise the refrigerator more than 1" (2.54 cm), you will damage the front leveling legs and the rear leveling wheels. Make adjustments in small increments.**

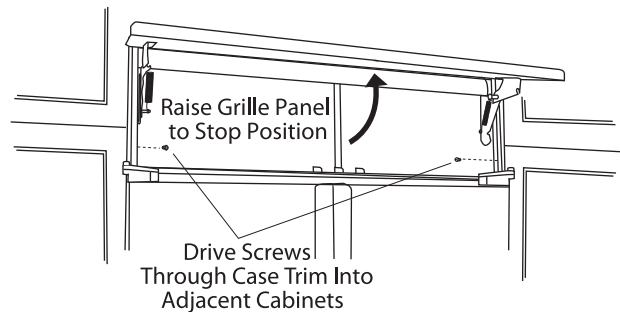
STEP 8 ALTERNATE ANTI-TIP PROCEDURE

The refrigerator must be secured to prevent tipping.



- Raise the grille panel to access case trim.
- Use a 3/16" bit to drill four evenly spaced clearance holes through the metal top case trim.

- Use a 1/16" bit to drill to pilot holes through the metal clearance holes and into the wood soffit. The holes should be centered in the soffit or a 3/4" (1.91 cm) min. wood brace. The brace spanning the enclosure must be securely fastened to cabinets on both sides.
- Install four, 1-1/2" drywall screws into the pilot holes.
- Drill screws into adjacent cabinets through side case trim.

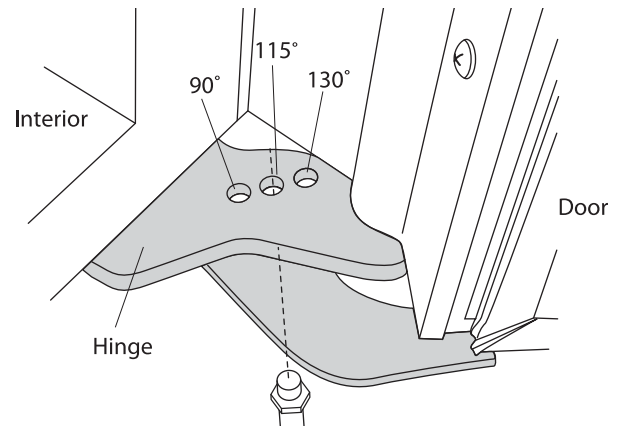


Installation Instructions - Standard Installation

STEP 9 ADJUST DOOR SWING

NOTE: This refrigerator has a 3-position door stop: 90°, 115°, and 130°. When space does not allow the door to swing open fully to 115°, you may change the door swing to a 90° opening. A 130° door swing option is available for standard installation only. **Skip this step if door opening is satisfactory for your installation situation.**

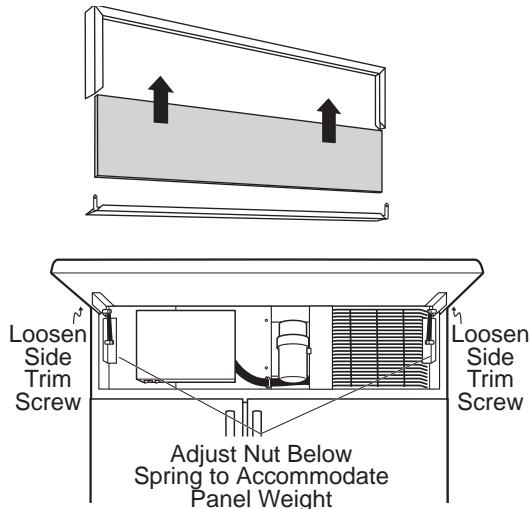
- Open the door to view the bottom hinge. Note the door stop pin locations. The pin is factory installed in the 115° position.
- Close the door. From below, use pliers to unscrew the door stop and reinstall into the 130° or 90° position.



STEP 10 INSTALL GRILLE PANEL

To insert the framed or overlay panel into the grille:

- Raise the grille panel to the stop position.



- Loosen the screws on the side trim behind the frame. Remove the bottom trim.

⚠ CAUTION SHARP EDGE HAZARD

The metal panel may be slippery. Grip the metal panel firmly so the panel does not slip out of the frame and cause personal injury or damage to the frame.

⚠ ATTENTION RISQUE DE COUPE : ATTENTION AUX ARÊTES VIVES

Le panneau en métal peut être glissant. Tenir fermement le panneau en métal, de manière à ce que le panneau ne glisse pas en dehors du cadre en provoquant des blessures corporelles ou des dommages au cadre.

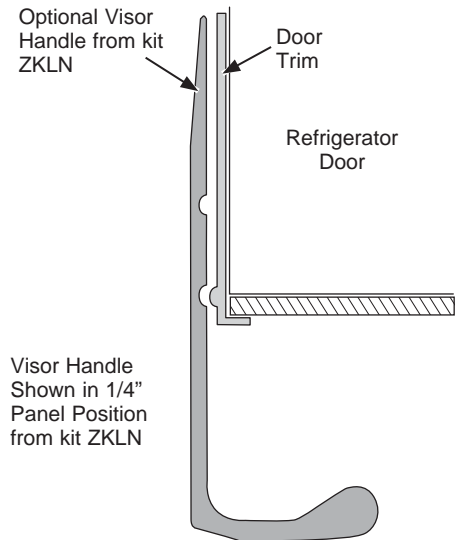
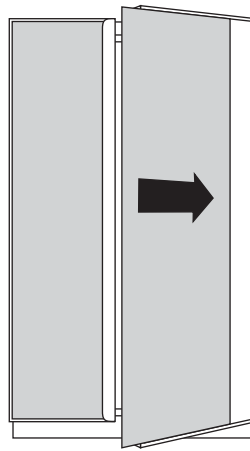
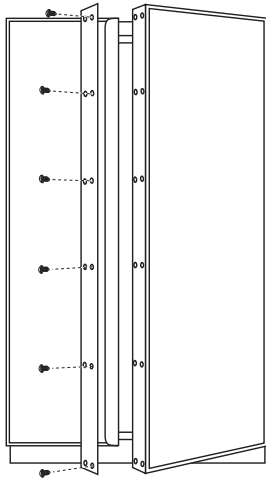
⚠ PRECAUCIÓN RIESGO DE EXTREMO FILOSO

Es posible que el panel metálico esté resbaladizo. Tome el panel metálico de manera firme, de modo que no se deslice fuera del marco y ocasione lesiones personales o daños sobre el marco.

- Slide the panel over the metal backer panel and into the trim.
- If necessary, tap with a wood block until the panel slips under the top trim piece.
- Reassemble the bottom trim. Tighten the screws.
- Adjust the hinge spring to accommodate the panel weight, if necessary.

Installation Instructions - Standard Installation

STEP 11 INSTALL 1/4" (0.63 cm) FRAMED PANELS Go to Step 11A for Overlay Panels



Install door panels:

- Open the door to 90°.
- Remove the 6 screws holding the door trim on the handle side, then lift off the trim. Retain the screws.
- Slide the framed panel into the door trim.

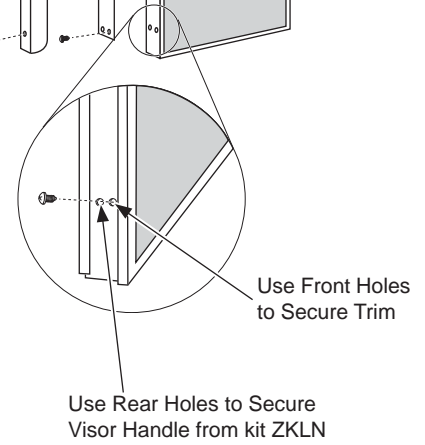
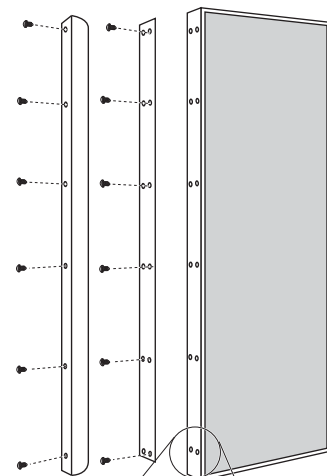
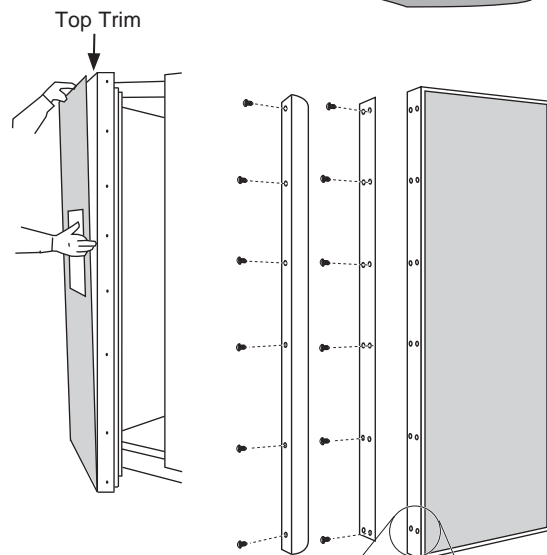
Dispenser Models Only:

- **IMPORTANT:** The dispenser controls protrude beyond the face of the freezer door. To avoid damage to the dispenser, the trim at the top of the door should be removed.
- Remove the screws holding the top trim in place.
- Place the freezer panel into the bottom channel and slide into the hinge side trim.
- Reinstall the top trim piece with screws.

All Models

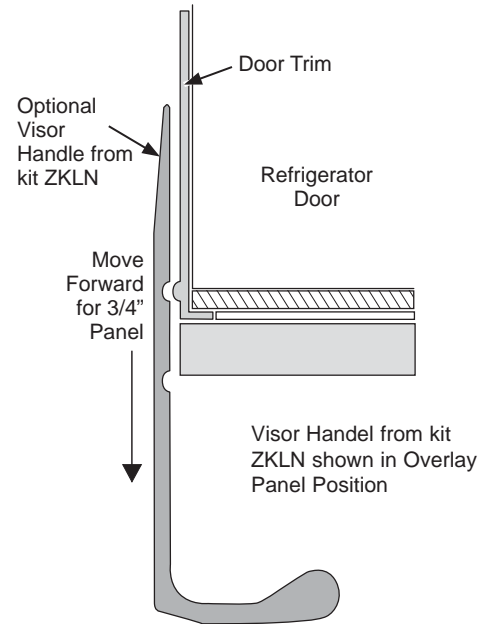
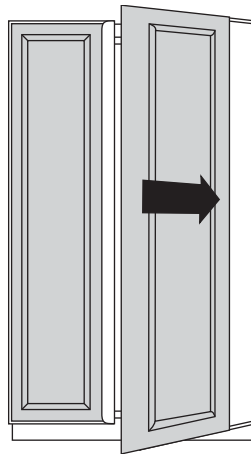
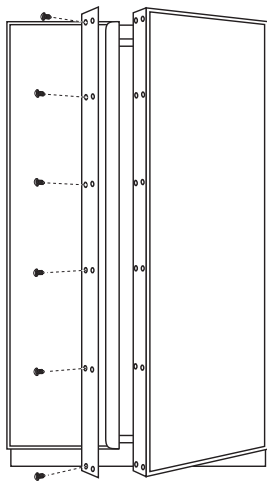
- There are two sets of holes in the door trim on the handle side. Replace the handle side door trim by installing the original screws in the FRONT screw holes.
- Secure the visor handle from kit ZKLN to the door using the REAR screw holes.
- Follow the same procedures to install the opposite panel.
- Check to be sure the handles are evenly aligned with each other at the top. To adjust, loosen the handle screws and slide up or down. Tighten the screws.

NOTE: Aluminum cover trim is supplied for use with custom handles on overlay panels. It is not intended for use with 1/4" (0.63 cm) panels. Discard the cover trim when using 1/4" (0.63 cm) framed panels.



Installation Instructions - Standard Installation

STEP 11A INSTALL OVERLAY PANELS



Install door panels:

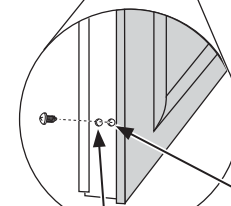
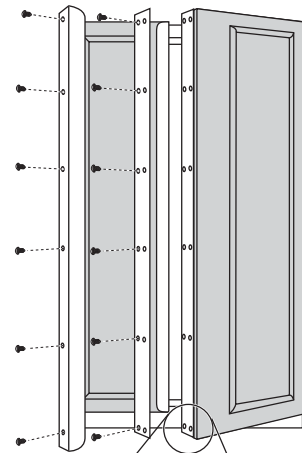
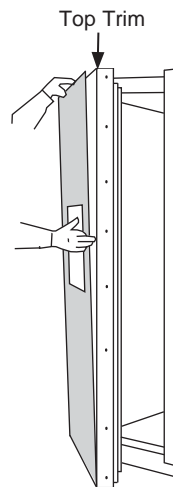
- Open door to 90°.
- Remove the 6 screws holding the door trim on the handle side, then lift off the trim. Retain the screws.
- Slide the overlay panel into the door trim.

Dispenser Models Only:

- **IMPORTANT:** The dispenser controls protrude beyond the face of the freezer door. To avoid damage to the dispenser, the trim at the top of the door should be removed.
- Remove the screws holding the top trim in place.
- Place the assembled freezer panel into the bottom channel and slide into the hinge side trim.
- Reinstall the top trim piece with all of the original screws.

All Models

- There are two sets of holes in the door trim on the handle side. Replace door trim by installing the original screws in the REAR screw holes.
- Secure the visor handle option kit ZKLN to the door using the FRONT screw holes.
- Follow the same procedures to install the opposite panel.
- Check to be sure the handles are evenly aligned with each other at the top. To adjust, loosen the handle screws and slide up or down. Tighten the screws.



Use Rear Holes to Secure Door Trim

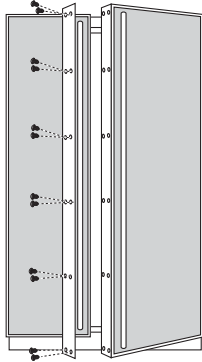
Use Front Holes to Secure Visor Handle from optional kit ZKLN

Installation Instructions - Standard Installation

STEP 11A INSTALL OVERLAY PANELS (Cont.)

Custom Handles Optional

- If you are using custom handles, the handle must be properly secured to the overlay panel before sliding the panel into the trim.
- The cabinet manufacturer will supply the custom handle and hardware.
- Reinstall the handle side door trim, using all 6 supplied flat-head screws, plus the 6 flat-head screws originally installed in the handle door trim.



Reinstall all original screws.

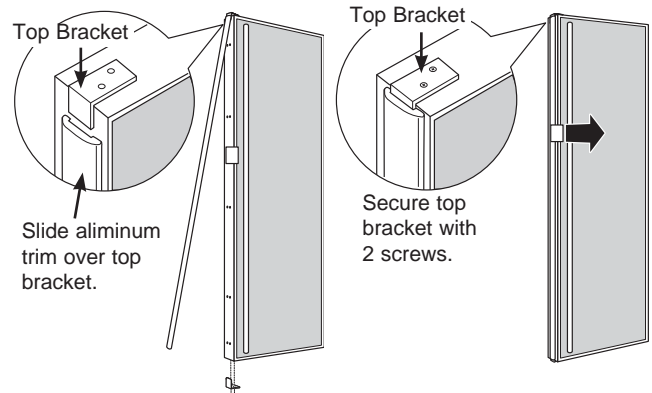
- Install a supplied bracket onto the top of the door, using a Phillips head screwdriver and the 2 screws provided. **Hand-tighten the screws into the end caps. Do not overtighten; damage will occur.**
- Clean the aluminum trim with rubbing alcohol - do not use alcohols with oil or lanolin that will prevent adhesion of double-sided tape.
- Slip the aluminum cover trim onto the top bracket to check the fit. The aluminum cover trim has a slot on each end which fits the bracket.
- Remove the trim. Peel away a few inches of the adhesive backing.

IMPORTANT: The tape is very sticky and strong. Once it adheres to a surface, it cannot be removed without damaging both surfaces. **Do not install the trim before the final wood panels are in place.** Be sure to align the trim carefully before removing the paper backing.

- Carefully place the aluminum cover trim onto the top bracket so that the bracket is inside the cover trim. Use the top to bottom grooves along the handle side to align the cover trim accurately. Align the bracket with the screw holes in the top of the door.
- Pull the tape a few inches at a time while pressing the trim against the door. Press and hold approximately 10 seconds before continuing along the length of the door.
- Install another bracket at the bottom of the door to secure the cover trim. Use a stubby Phillips head screwdriver and the 2 screws provided.

NOTE: Make sure there are no gaps in the installation.


- Follow the same procedure on the opposite door.



Installation Instructions - Standard Installation

STEP 12 CONNECT WATER SUPPLY


⚠ WARNING Connect to potable water supply only. A cold water supply is required for automatic icemaker operation. The water pressure must be between 40 and 120 psi (275-827 kilopascals).

⚠ WARNING  **ELECTRIC SHOCK HAZARD**
Attach tubing clamp using existing hole only. DO NOT drill into the refrigerator.

⚠ AVERTISSEMENT Raccordez l'appareil à une alimentation d'eau potable seulement. Une alimentation d'eau froide est requise pour faire fonctionner la machine à glaçons et le pichet à remplissage automatique. La pression d'eau doit se situer entre 40 et 120 psi. (275 à 827 kPa).

⚠ AVERTISSEMENT  **RISQUE DE DÉCHARGE ÉLECTRIQUE**
Fixez le collier de serrage dans le trou présent seulement. NE PERCEZ PAS dans le réfrigérateur.

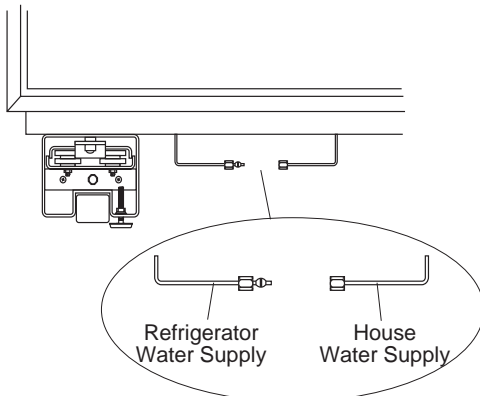
⚠ ADVERTENCIA Realice la conexión a un suministro de agua potable únicamente. Se requiere un suministro de agua fría para el funcionamiento de la máquina de hielos automática y de la jarra de llenado automático. La presión del agua deberá estar entre 40 y 120 p.s.i. (275 – 827 kPa).

⚠ ADVERTENCIA  **PELIGRO DE DESCARGA ELÉCTRICA**
Adhiera la abrazadera de la tubería usando el agujero existente únicamente. NO perforo el refrigerador.

- Locate and bring the tubing to the front of the cabinet.
- Turn the water on to flush debris from the line. Run about a quart of water through the tubing into a bucket, then shut off the water.

Copper Tubing:

- Slip a 1/4" nut and ferrule (provided) over both ends of the copper tubing. Insert the tube into the union fitting on the unit and tighten the nut to the union.
- Turn on the water to check for leaks.



SmartConnect™ Tubing:

NOTE: The only Monogram-approved plastic tubing is supplied in the SmartConnect™ Refrigerator Tubing kits. Do not use any other plastic water supply line because the line is under pressure at all times. Other types of plastic may crack or rupture with age and cause water damage to your home.

SmartConnect™ Refrigerator Tubing Kits are available in the following lengths:

2' (.6 m) WX08X10002
8' (2.4 m) WX08X10006
15' (4.6 m) WX08X10015
25' (7.6 m) WX08X10025

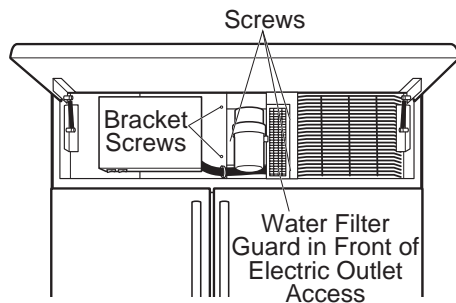
- Insert the molded end of the tubing into the refrigerator connection. Tighten the compression nut until it is just hand tight.
- Tighten one additional turn with a wrench. Overtightening can cause leaks!
- Turn on the water to check for leaks.
- Run dispenser, if available, for 2 minutes or 1 gallon of water. It is normal for the dispenser to sputter for the first few cups.

NOTE: Make sure excess tubing length does not interfere with the toekick installation.

Installation Instructions - Standard Installation

STEP 13 CONNECT POWER, CLOSE GRILLE PANEL

- Open the grille panel.
- Plug in the power cord (if necessary) by reaching into the opening next to the water filter. The water filter guard will need to be removed for access (some models). Remove the 3 screws holding it in place. If access is still too tight, remove the 2 screws holding the water filter bracket and move aside. Plug in the power cord. Secure the bracket and guard with the original screws.



- Check to make sure power to refrigerator is on by opening refrigerator door to see if interior lights are on.
- The temperature controls are preset at 37°F (3° C) for the fresh food section and 0°F (-18°C) for the freezer.
- Allow 24 hours to stabilize before making adjustments.

STEP 14 START ICEMAKER

⚠ CAUTION

To minimize the risk of personal injury, avoid contact with the moving parts of the ejector mechanism, or with the heating element that releases the cubes. Do not place fingers or hands on the automatic ice making mechanism while the appliance is plugged in.

⚠ ATTENTION

Afin de réduire le risque de blessure, évitez tout contact avec les pièces mobiles du mécanisme d'éjection ou l'élément chauffant qui libère les cubes. Ne placez pas les doigts ou les mains sur le mécanisme de production de glace automatique lorsque l'électroménager est branché dans la prise électrique.

⚠ PRECAUCIÓN

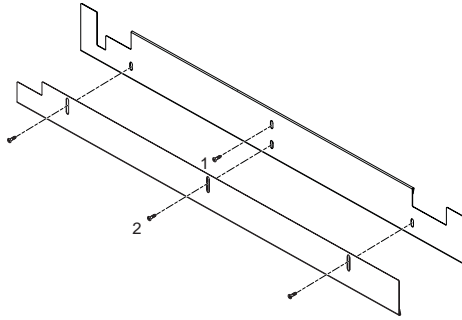
Para minimizar el riesgo de lesiones personales, evite el contacto con las partes móviles del mecanismo eyector o con el elemento de calefacción que libera los cubos. No coloque los dedos ni las manos en el mecanismo de la máquina de hielo automática mientras el electrodoméstico se encuentre enchufado.

- The icemaker will be ON when unit is plugged in.
- The icemaker will begin operation automatically.
- Be sure nothing interferes with the sweep of the feeler arm.
- Discard the first full bucket of ice cubes.
- To turn the icemaker off, depress the – and + refrigerator in the Fresh Food controls for 5 seconds. The display will show ICE OFF.
- To turn the icemaker back on, depress the – and + refrigerator in the Fresh Food controls for 5 seconds.

Installation Instructions - Standard Installation

STEP 15 INSTALL TOEKICKS

- Locate the supplied toekicks (shipped taped to the side of the refrigerator).
- The narrow set of toe kicks will be used with standard installation.
- Attach the LARGER toekick to the refrigerator using ONLY the top center hole (1).
- Attach the toekick skirt to the refrigerator using the three lower slots (2).
- A custom toekick can be installed to match or

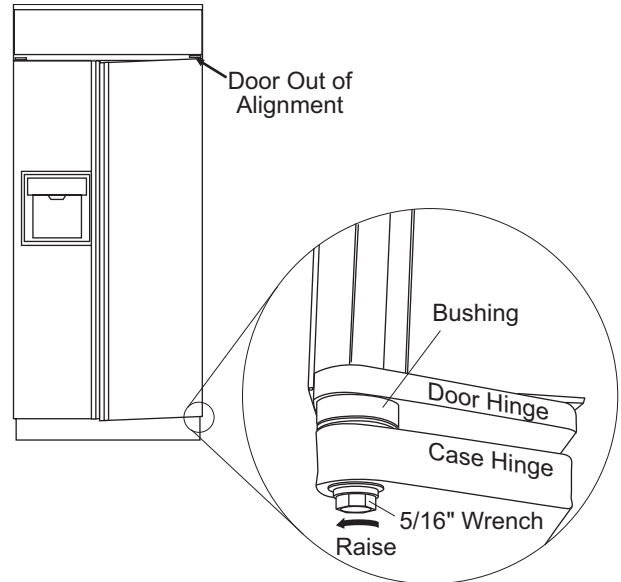


complement the surrounding cabinetry. Use the supplied toekick as a template to cut the shape.

INSPECT FINAL INSTALLATION

Check door alignment. Stand back away from the refrigerator to inspect the final installation.

- Check to be sure the handles are evenly aligned with each other at the top. To adjust, loosen the handle screws and slide up or down. Tighten the screws.
- Shipping or the addition of heavy door panels may have caused the doors to move slightly out of alignment.



- If necessary, the fresh food door may be adjusted up or down to align with the freezer door.
- Use a 5/16" wrench to adjust the hinge pin as shown.

Instructions for Flush Inset Installation

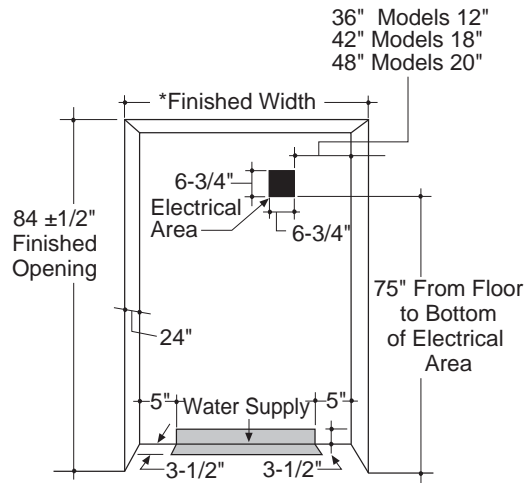
FLUSH INSET KIT ZKFN REQUIRED

The flush inset kit includes installation instructions, modified toe kicks, case assembly, and other required components.

Instructions for Stainless Steel Installation

Design Guide - Stainless Steel Installation

THE INSTALLATION SPACE



*The finished cutout width must be:
35-1/2" (90.17 cm) for 36" models
41-1/2" (105.41 cm) for 42" models
47-1/2" (120.65 cm) for 48" models

Water And Electrical Locations

The opening must be prepared with the electrical and the cold water supply located as shown.

The Cutout Depth Must Be 24" (60.96 cm)

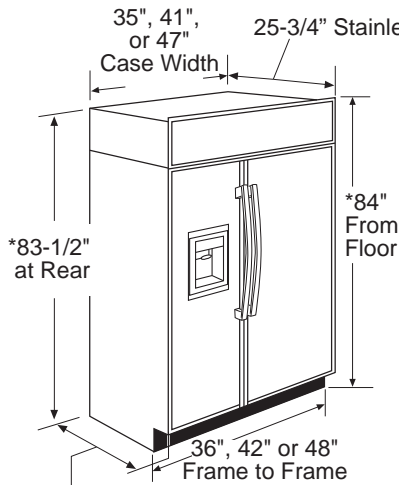
The refrigerator will project forward, slightly beyond adjacent cabinetry for standard installation.

Additional Specifications

- A 115 volt 60Hz., 15 or 20 amp power supply is required. An individual properly grounded branch circuit or circuit breaker is recommended. Install a properly grounded 3-prong electrical receptacle recessed into the back wall. Electrical must be located on the rear wall as shown.
- The water line can enter the opening through the floor or back wall. The water line should be 1/4" O.D. copper tubing or SmartConnect™ kit between the cold water line and water connection location, long enough to extend to the front of the refrigerator. Installation of an easily accessible shut-off valve in the water line is required.

Design Guide - Stainless Steel Installation

DIMENSIONS AND CLEARANCES



* Shipping height. The refrigerator can be adjusted to fit into a cutout that is 84-1/2" (214.63 cm) in height. Use leveling legs and wheels for a maximum 1" (2.54 cm) (height adjustment).

Depth Including Handles:

- 27-7/8" Stainless Steel Models with optional Minimalist Handle (ZKSS2H2CNSS)
- 28 3/8" Stainless Steel Models with optional Statement Handles (ZKSS2H2PNSS)

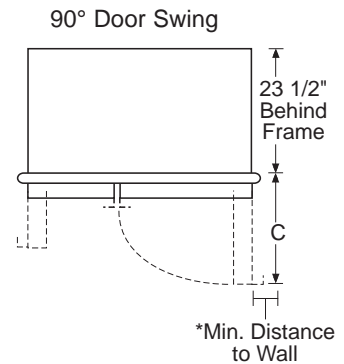
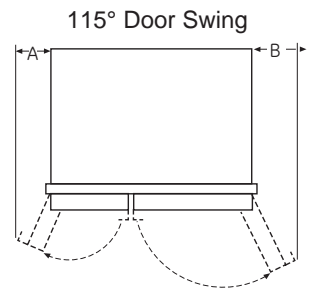
Product Clearances

These refrigerators are equipped with a 3-position door stop. The factory-set 115° door swing can be adjusted to 90° if clearance to adjacent cabinets or walls is restricted. Only standard installation can be adjusted to 130°

Allow minimum clearances for the freezer door (Dimension A) and fresh food door (Dimension B) for a full 115° door swing and to allow for pan removal.

For a 90° door swing, allow 4 5/8" (11.75 cm) min. clearance to a wall, for framed and stainless steel models. If the 90° door stop position is used, pan access is maintained, but pan removal is restricted.

See the illustrations on pages 29 and 30 to determine door swing interaction with adjacent cabinets or countertops.



ZISS36 with Minimalist Handle	A	B	C
90°	2-7/16" (7.30 cm)	2-7/16" (7.30 cm)	20-9/16" (52.23 cm)
115°	8-1/8" (15.72 cm)	9-3/4" (20 cm)	20-9/16" (52.23 cm)
130°	10-3/4" (23.34 cm)	13-5/16" (29.85 cm)	20-9/16" (52.23 cm)

ZISS42 with Statement Handle	A	B	C
90°	2-15/16" (5.87 cm)	2-15/16" (5.87 cm)	26-9/16" (67.47 cm)
115°	8-9/16" (21.75 cm)	12-3/4" (32.39 cm)	26-9/16" (67.47 cm)
130°	11-1/4" (28.58 cm)	17-5/8" (44.77 cm)	26-9/16" (67.47 cm)

ZISS42 with Minimalist Handle	A	B	C
90°	2-7/16" (7.30 cm)	2-7/16" (7.30 cm)	26-9/16" (67.47 cm)
115°	8-3/16" (21.27 cm)	12-3/8" (31.43 cm)	26-9/16" (67.47 cm)
130°	10-7/8" (27.62 cm)	17-5/16" (43.97 cm)	26-9/16" (67.47 cm)

ZISS48 with Statement Handle	A	B	C
90°	2-15/16" (5.87 cm)	2-15/16" (5.87 cm)	28-5/8" (72.71 cm)
115°	10-1/4" (20.04 cm)	13-9/16" (34.45 cm)	28-5/8" (72.71 cm)
130°	13-13/16" (35.08 cm)	18-15/16" (48.1 cm)	28-5/8" (72.71 cm)

ZISS48 with Minimalist Handle	A	B	C
90°	2-7/16" (7.30 cm)	2-7/16" (7.30 cm)	28-5/8" (72.71 cm)
115°	9-7/8" (25.08 cm)	13-3/16" (34.50 cm)	28-5/8" (72.71 cm)
130°	13-1/2" (34.29 cm)	18-9/16" (47.15 cm)	28-5/8" (72.71 cm)

*Stainless Models with Minimalist Handles - 4 1/2" with Statement Handles - 4 5/8"

Design Guide - Stainless Steel Installation

CUSTOMIZATION BASICS:

Stainless Steel Wrapped Refrigerators

Stainless Steel wrapped refrigerators have wrapped doors and grille panel, beveled edges, and tubular stainless steel handles that coordinate with other Monogram appliances. These models are shipped ready for installation. These models do not include handles.



Statement Handle
ZKSS2H2PNSS



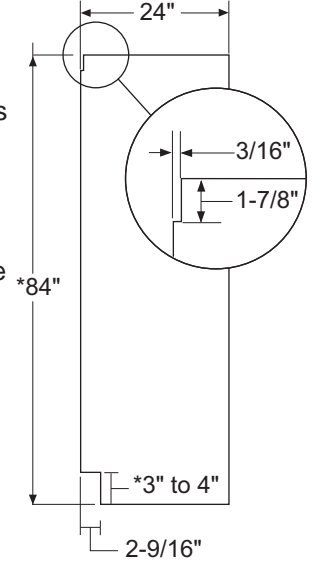
Minimalist Handle
ZKSS2H2CNSS

*Optional Handles - When ordering this product, be sure to use the model number associated with the chosen handle.

SIDE PANELS

Side panels must be used whenever the sides of the refrigerator will be exposed. The 1/4" (0.63 cm) side panels will slip into the side case trim. Secure the panels to the refrigerator with stick-on hook and loop fastener strips. Order the side panels from the cabinet manufacturer.

- Cut a notch in the top front corner as shown to allow clearance for corner keys in the front side trim.

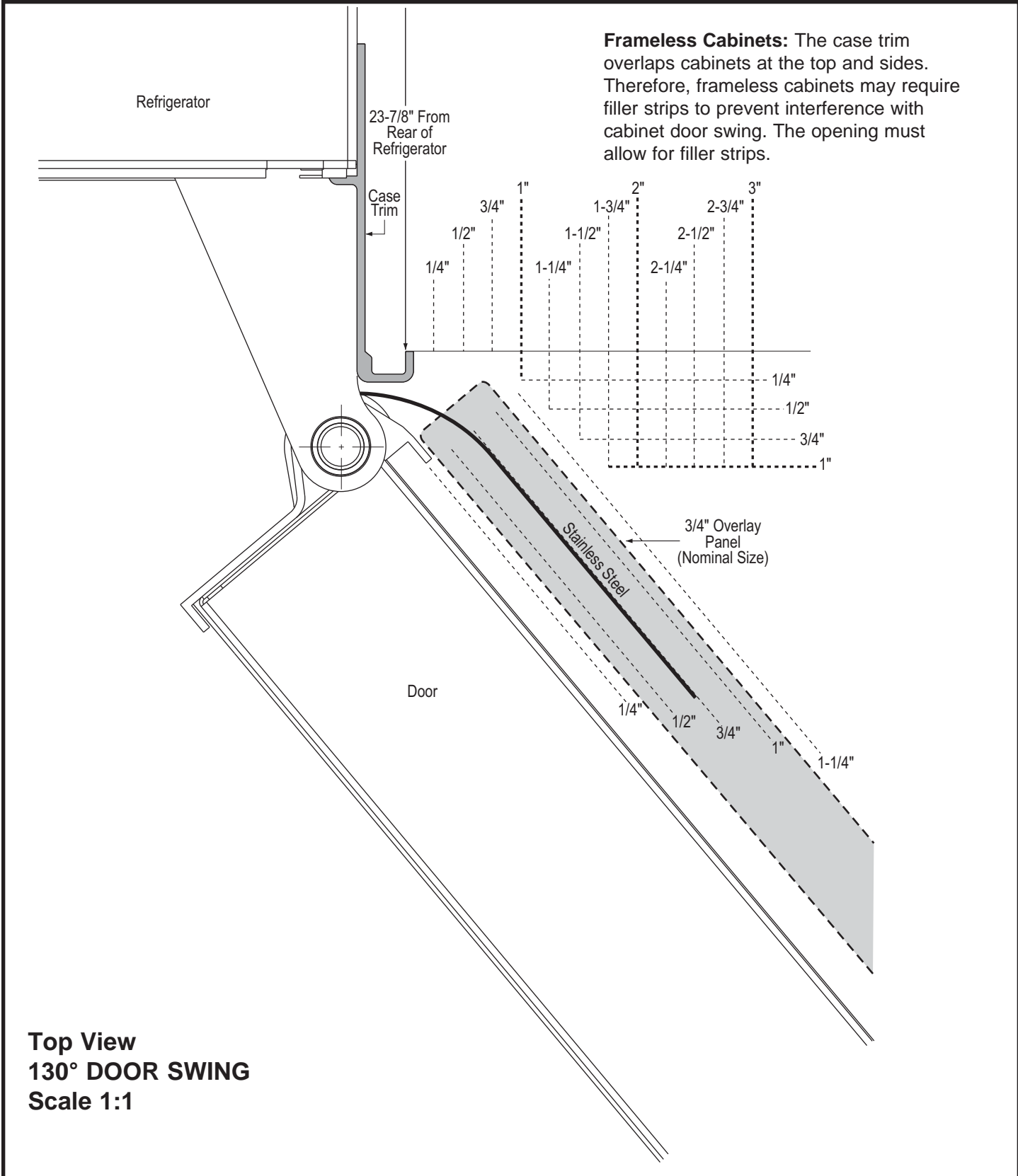


* Depending on installation height.

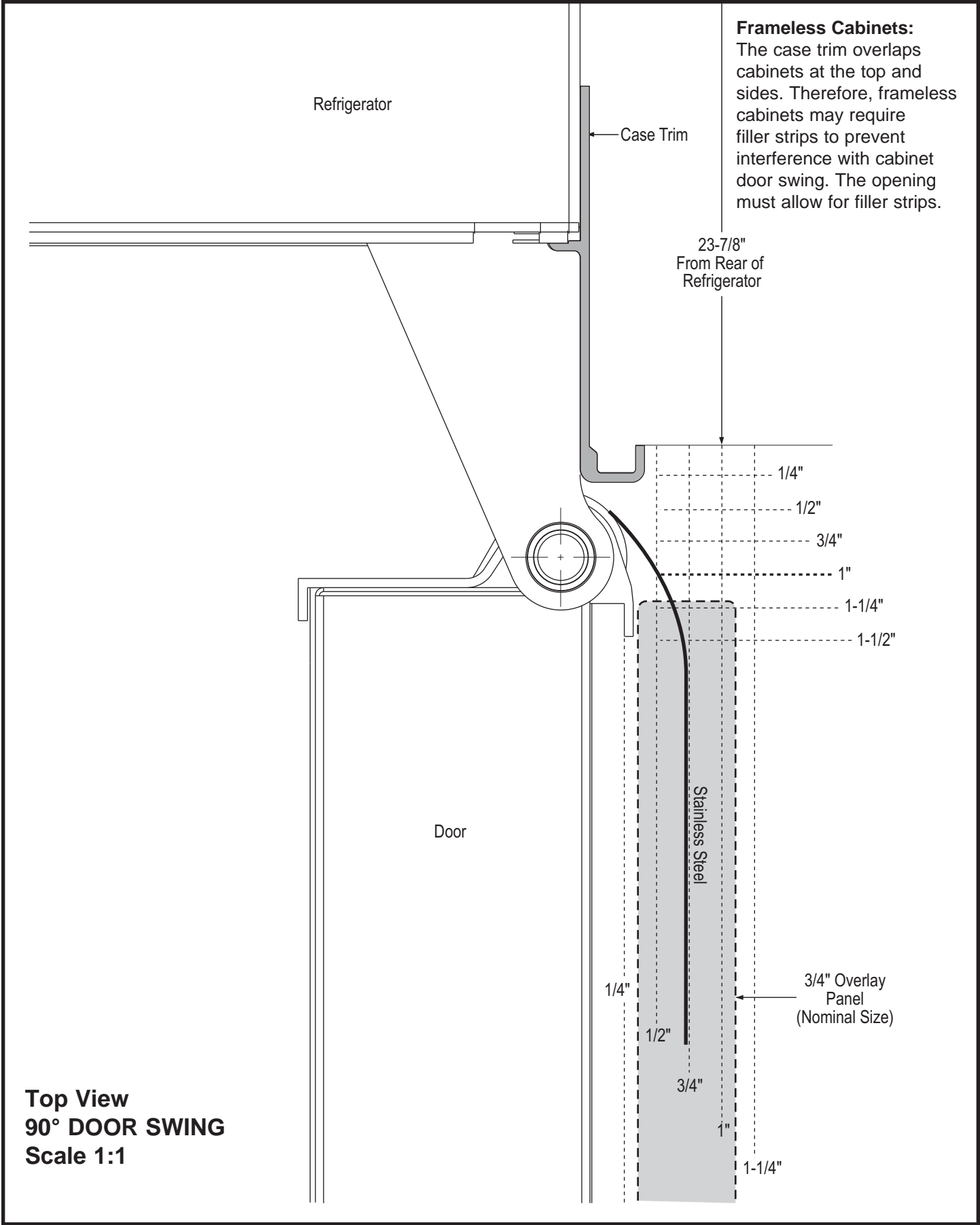
REFRIGERATOR LOCATION

- Do not install the refrigerator where the temperature will go below 55°F (13°C). It will not run often enough to maintain proper temperatures.
- Do not install the refrigerator where temperatures will go above 100°F (37°C). It will not perform properly.
- Do not install the refrigerator in a location exposed to water (rain, etc.) or direct sunlight.
- Install it on a floor strong enough to support it fully loaded.

Design Guide - Stainless Steel Installation



Design Guide - Stainless Steel Installation



Installation Instruction - Stainless Steel Installation

TOOLS AND MATERIALS REQUIRED

- Tinsnips to cut banding
- Stepladder
- 1" Bit extension
- Tape measure
- Gloves
- 1/4" Drywall screws
- 5-Gal. Bucket with cover
- 6" Spirit level
- Appliance hand truck
- Tubing cutter
- 7/16" open-end wrench
- #2 Phillips screwdriver
- Drill and appropriate bits
- 5/16", 7/16" socket
- Safety glasses
- 1-1/8" open end wrench
- Pliers
- 1/4", 5/16" Combo Ratchet
- 35" long 2x4 for Anti-Tip support
- 1/4" copper water line tubing or SmartConnect™ Refrigerator Tubing kits
- Water shut-off valve
- Screws to secure refrigerator to cabinetry
- Stick-on hook and loop fastener strips for 1/4" side panels

HARDWARE SUPPLIED

- Water filter bypass plug (on some models)
- Toekick
- 1/4" nut and ferrule

FLOORING

For proper installation, this refrigerator must be placed on a level surface of hard material that is at the same height as the rest of the flooring. This surface should be strong enough to support a fully loaded refrigerator, or approximately 1,500 lbs.(680.39 kg).

NOTE: Protect the finish of the flooring. Cut a large section of the cardboard carton and place under the refrigerator where you are working.

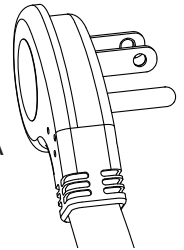
GROUNDING THE REFRIGERATOR

⚠ WARNING  **Electrical Shock Hazard.**

Failure to follow these instructions can result in death, fire, or electrical shock.

The power cord of this appliance is equipped with a 3-prong (grounding) plug which mates with a standard 3-prong (grounding) wall receptacle to minimize the possibility of electric shock hazard from this appliance. Have the wall outlet and circuit checked by a qualified electrician to make sure the outlet is properly grounded. Where a standard 2-prong wall outlet is encountered, it is your personal responsibility and obligation to have it replaced with a properly grounded 3-prong wall outlet.

DO NOT, UNDER ANY CIRCUMSTANCES, CUT OR REMOVE THE THIRD (GROUND) PRONG FROM THE POWER CORD. DO NOT USE AN ADAPTER PLUG TO CONNECT THE REFRIGERATOR TO A 2-PRONG OUTLET. DO NOT USE AN EXTENSION CORD WITH THIS APPLIANCE.



MISE À LA TERRE DU RÉFRIGÉRATEUR

⚠ AVERTISSEMENT  **Risque de choc électrique.**

Le non-respect de ces instructions peut entraîner des risques d'incendies, des chocs électriques ou la mort.

Le cordon d'alimentation de cet appareil est équipé d'une fiche à trois broches (pour une mise à la terre) qui s'adapte à la prise de courant standard à 3 broches (pour une mise à la terre) pour minimiser les risques de chocs électriques par cet appareil.

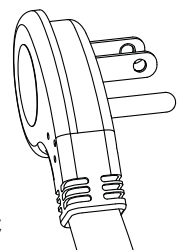
Faites vérifier la prise murale et le circuit électrique par un électricien qualifié pour s'assurer que le système est correctement mis à la terre.

Dans le cas d'une prise biphasée, l'installateur a la responsabilité et l'obligation de la remplacer par une prise triphasée correctement mise à la terre.

NE COUPEZ PAS OU N'ENLEVEZ PAS, SOUS AUCUN PRÉTEXTE, LA TROISIÈME BROCHE DE MISE À LA TERRE DU CORDON D'ALIMENTATION.

N'UTILISEZ PAS D'ADAPTATEUR POUR BRANCHER LE RÉFRIGÉRATEUR À UNE PRISE BIPHASÉE.

N'UTILISEZ PAS DE RALLONGE AVEC CET APPAREIL.



Installation Instruction - Stainless Steel Installation

CONEXIÓN A TIERRA DEL REFRIGERADOR

⚠ ADVERTENCIA  **Riesgo de Descarga Eléctrica**

Si no se siguen estas instrucciones, se podrá producir la muerte, incendios o descargas eléctricas.

El cable de corriente de este electrodoméstico cuenta con un enchufe de 3 cables (conexión a tierra) que se conecta a un tomacorriente de pared estándar de 3 cables (conexión a tierra) para minimizar el riesgo de posibles descargas eléctricas por parte del mismo.

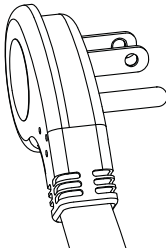
Contrate a un electricista calificado para que controle el tomacorriente y el circuito eléctrico, a fin de asegurar que el enchufe esté correctamente conectado a tierra.

En caso de contar con un tomacorriente de pared de 2 cables, es su responsabilidad y obligación reemplazarlo por un tomacorriente de pared de 3 cables correctamente conectado a tierra.

NUNCA, BAJO NINGUNA CIRCUNSTANCIA, CORTE NI ELIMINE EL TERCER CABLE (TIERRA) DEL CABLE DE CORRIENTE.

NO USE UN ENCHUFE ADAPTADOR PARA CONECTAR EL REFRIGERADOR A UN TOMACORRIENTE DE 2 PATAS.

NO USE UN PROLONGADOR CON ESTE ELECTRODOMÉSTICO.

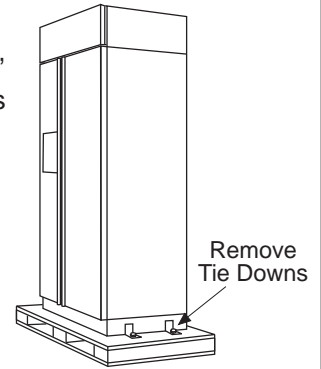


STEP 1 REMOVE PACKAGING (Cont.)

- The unit is secured to the skid with 4 slotted tie-down straps. Remove the six 7/16" bolts from the base channels in the tie-downs.
- Remove the six 7/16" bolts securing the straps to the skid.

NOTE: DO NOT ATTEMPT TO ROLL UNIT OFF SKID.

- The support blocks on the bottom of the refrigeration case must be removed before the refrigerator is taken off the skid or damage will occur. Carefully tilt the refrigerator and slide the blocks out from beneath.
- Remove the toe kick and set aside for final installation.
- Lift the refrigerator off the skid with an appliance dolly. Handle from the sides.



STEP 2 MOVE THE REFRIGERATOR INTO THE HOUSE

- Re-use the corner posts from the packaging to protect stainless steel models. Run the appliance dolly straps over the posts and under the handles.
- Leave the protective film on the refrigerator until installation is complete. **IMPORTANT:** Never lift the refrigerator by the handle or push against the grille panel; this could cause damage or misalignment.
- Avoid laying the unit on its back or side to prevent sealed system restrictions.

STEP 1 REMOVE PACKAGING

⚠ WARNING  **Tip Over Hazard.**

The refrigerator is much heavier at the top than at the bottom—be careful when moving. When using a hand truck, handle from the side only.

⚠ AVERTISSEMENT  **Risque de basculement**

Le réfrigérateur est beaucoup plus lourd en haut qu'en bas. Il faut être prudent lors des déplacements. Si un diable est utilisé, il faut soulever le réfrigérateur sur le côté seulement.

⚠ ADVERTENCIA  **Riesgo de Caídas**

El refrigerador es mucho más pesado en su parte superior que en su parte inferior – tenga cuidado al moverlo. Al usar un carro manual, sosténgalo de costado únicamente.

- Carefully cut banding at the top and bottom, remove the outer carton.
- Slide out the back corner posts (2).
- Slide the carton off the top of the cabinet.

NOTE: IT IS NOT NECESSARY TO LAY THE CABINET DOWN IN ORDER TO REMOVE THE SKID!

Installation Instruction - Stainless Steel Installation

STEP 3 INSTALL WATER LINE

⚠ WARNING Connect to potable water supply only. A cold water supply is required for automatic icemaker operation. The water pressure must be between 40 and 120 psi (275-827 kilopascals).

⚠ WARNING  **ELECTRIC SHOCK HAZARD**

Attach tubing clamp using existing hole only. DO NOT drill into the refrigerator.

⚠ AVERTISSEMENT Raccordez l'appareil à une alimentation d'eau potable seulement. Une alimentation d'eau froide est requise pour faire fonctionner la machine à glaçons et le pichet à remplissage automatique. La pression d'eau doit se situer entre 40 et 120 psi. (275 à 827 kPa).

⚠ AVERTISSEMENT  **RISQUE DE DÉCHARGE ÉLECTRIQUE**

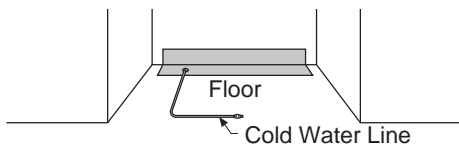
Fixez le collier de serrage dans le trou présent seulement. NE PERCEZ PAS dans le réfrigérateur.

⚠ ADVERTENCIA Realice la conexión a un suministro de agua potable únicamente. Se requiere un suministro de agua fría para el funcionamiento de la máquina de hielos automática y de la jarra de llenado automático. La presión del agua deberá estar entre 40 y 120 p.s.i. (275 – 827 kPa).

⚠ ADVERTENCIA  **PELIGRO DE DESCARGA ELÉCTRICA**

Adhiera la abrazadera de la tubería usando el agujero existente únicamente. NO perfore el refrigerador.

- The tubing should be long enough to extend to the front of the refrigerator. Allow enough tubing to accommodate the bend leading into the water line connection.



NOTE: The only Monogram approved plastic tubing is supplied in the SmartConnect™ Refrigerator Tubing kits. Do not use any other plastic water supply line because the line is under pressure at all times. Other types of plastic may crack or rupture with age and cause water damage to your home.

SmartConnect™ Refrigerator Tubing Kits are available in the following lengths:

2' (.6 m) WX08X10002

8' (2.4 m) WX08X10006

15' (4.6 m) WX08X10015

25' (7.6 m) WX08X10025

Shut off the main water supply.

Turn on the nearest faucet long enough to clear the line of water.

- Install a shut-off valve between the icemaker water valve and cold water pipe in a basement or cabinet. The shut-off valve should be located where it will be easily accessible.
- Turn on the main water supply and flush debris. Run about a quart of water through the tubing into a bucket. Shut off the water supply at the shut-off valve.

NOTE: Saddle type shut-off valves are included in many water supply kits. Before purchasing, make sure a saddle type valve complies with your local plumbing codes.

NOTE: Commonwealth of Massachusetts Plumbing Codes 248CMR shall be adhered to. Saddle valves are illegal and use is not permitted in Massachusetts. Consult with your licensed plumber.

Installation Instruction - Stainless Steel Installation

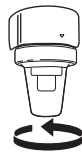
STEP 4 WATER LINE INSTALLATION WITH A REVERSE OSMOSIS SYSTEM OR OTHER HOUSEHOLD FILTRATION SYSTEM

Skip this step when not using an RO System or other household filtration system.

If the water supply to the refrigerator is from a household filtration system, use the refrigerator's filter bypass plug. Using the refrigerator's water filtration cartridge with the RO filter can result in hollow ice cubes.



Rotate Counterclockwise to Remove



Filter Bypass Plug

To obtain a free bypass plug, visit monogram.com or call 800.444.1845. In Canada, visit monogram.ca or call 800.661.1616. The bypass plug is installed in the same way as a filter cartridge.

The icemaker will not operate without the filter or filter bypass plug.

STEP 5 INSTALL SIDE PANELS

Skip this step when not using side panels. If you are using 1/4" (0.63 cm) side panels, they should be inserted into the case trim. Fasten the panels to the refrigerator with stick-on hook and loop fastener strips before setting the refrigerator in place.

STEP 6 ANTI-TIP PROCEDURE

⚠ WARNING Tip Over Hazard.

These refrigerators are top heavy, especially with any doors open, and must be secured to prevent tipping forward which could result in death or serious injury. Read and follow the entire installation instructions for securing the refrigerator with the anti-tip system.

⚠ AVERTISSEMENT Risque de basculement

Ces réfrigérateurs présentent une partie supérieure lourde, en particulier avec une porte ouverte; ils doivent donc être fixés pour prévenir le basculement vers l'avant et le risque concomitant de blessure grave ou fatale. Lisez et suivez les instructions d'installation complètes pour l'installation du système anti-basculement.

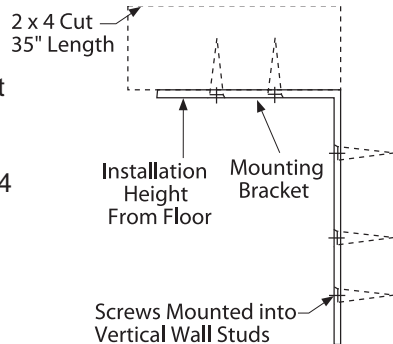
⚠ ADVERTENCIA Riesgo de Caídas

Estos refrigeradores son inestables, especialmente cuando una puerta se encuentre abierta, y deberán estar asegurados a fin de evitar caídas hacia adelante que podrían resultar en la muerte o en lesiones graves. Lea y siga las instrucciones de instalación en su totalidad para asegurar el refrigerador con el sistema anti volcaduras.

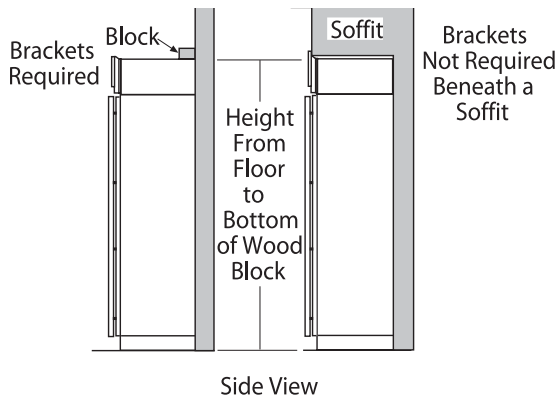
Installation Instruction - Stainless Steel Installation

STEP 6 ANTI-TIP PROCEDURE (Cont.)

- Cut a 2" x 4" block, 35" (88.9 cm) long and secure the block to the mounting brackets provided using #12 or #14 wood screws.
- Secure the bracket with wood block to the back wall so that it is 84" (213.36 cm) from the finished floor. Use #12 or #14 wood screws. See the illustration.
- The screws must penetrate at least one inch into the vertical wall studs.
- If metal wall studs, use self-tapping sheet metal screws in place of wood screws.



IMPORTANT: When the refrigerator is installed under a soffit or if there is not enough height for this method of security, brackets cannot be used. Proceed to step 7 to level the refrigerator and then to step 8 to secure refrigerator to cabinets. The refrigerator must be secured to prevent tipping.



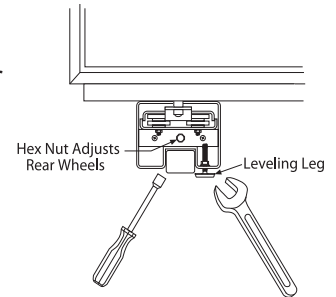
Connect power cord:

- Before pushing the refrigerator into the opening, plug the power cord into the receptacle. The water filter guard will need to be removed for access (some models). Remove the 3 screws holding it in place. If access is still too tight, remove the 2 screws holding the water filter bracket and move aside. Open the grille panel and reach into the opening at the back to grasp the power cord. Pull the power cord into the opening as you push the refrigerator back. Secure the bracket and guard with the original screws.
- Gently push refrigerator into the opening with hands against front corners.

STEP 7 LEVEL REFRIGERATOR

All models have 4-point leveling. The front is supported by leveling legs, the rear is supported by adjustable wheels. Both are accessible from the front of the refrigerator.

- To level the back of the refrigerator, turn the 7/16" hex nut located above the front wheels. Turn clockwise to raise or counterclockwise to lower the refrigerator.
- For front leveling, use a 1-1/4" open-end wrench.
- Adjust height of refrigerator to match installation cutout opening 84-1/2" (214.63 cm). The refrigerator should be level and plumb with cabinetry.

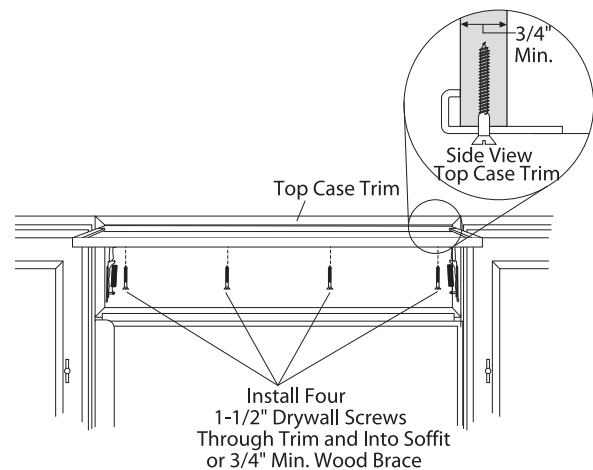


NOTICE: The rear leveling wheels and front leveling legs are limited to a maximum height adjustment of 1" (2.54cm). If the installation requires more than 84-1/2" (214.63 cm) height, the installer should elevate the refrigerator on a sheet of plywood or runners. Cabinetry trim could also be added across the top of the opening. **If you attempt to raise the refrigerator more than 1" (2.54 cm), you will damage the front leveling legs and the rear leveling wheels. Make adjustments in small increments.**

STEP 8 ALTERNATE ANTI-TIP PROCEDURE

The refrigerator must be secured to prevent tipping.

- Raise the grille panel to access case trim.

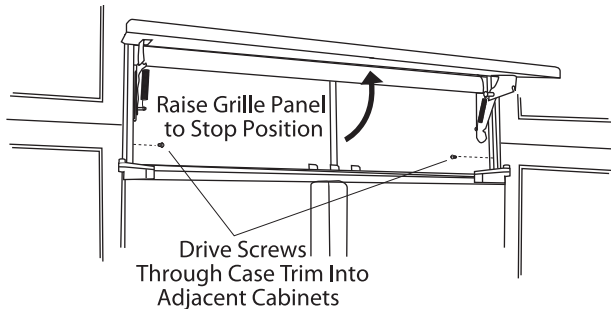


- Use a 3/16" bit to drill four evenly spaced clearance holes through the metal top case trim.

Installation Instruction - Stainless Steel Installation

STEP 8 ALTERNATE ANTI-TIP PROCEDURE

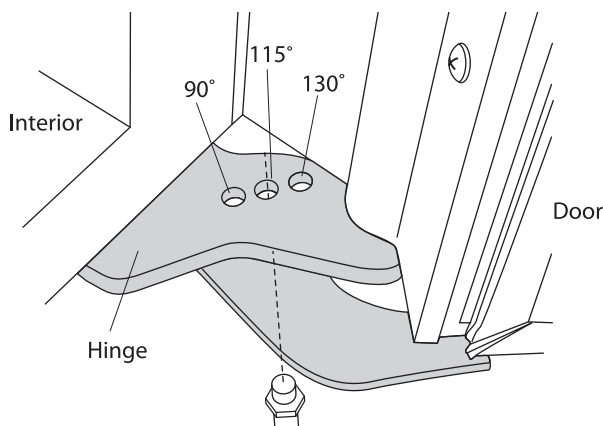
- Use a 1/16" bit to drill to pilot holes through the metal clearance holes and into the wood soffit. The holes should be centered in the soffit or a 3/4" (1.91 cm) min. wood brace. The brace spanning the enclosure must be securely fastened to cabinets on both sides.
- Install four, 1-1/2" drywall screws into the pilot holes.
- Drill screws into adjacent cabinets through side case trim.



STEP 9 ADJUST DOOR SWING

NOTE: This refrigerator has a 3-position door stop. When space does not allow the door to swing open fully to 115°, you may change the door swing to a 90° opening. A 130° door swing option is available for standard installation only. **Skip this step if door opening is satisfactory for your installation situation.**

- Open the door to view the bottom hinge. Note the door stop pin locations. The pin is factory installed in the 115° position.
- Close the door. From below, use pliers to unscrew the door stop and reinstall into the 90° or 130° position.



STEP 10 CONNECT WATER SUPPLY

▲ WARNING Connect to potable water supply only. A cold water supply is required for automatic icemaker operation. The water pressure must be between 40 and 120 psi (275-827 kilopascals).

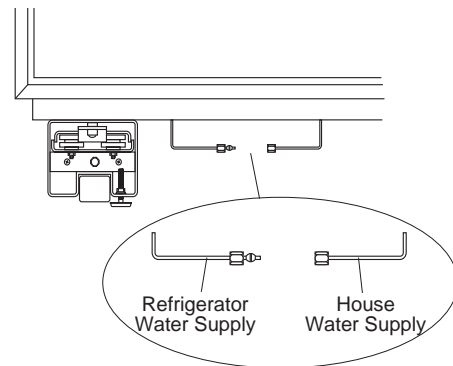
▲ WARNING  **ELECTRIC SHOCK HAZARD**
Attach tubing clamp using existing hole only. **DO NOT** drill into the refrigerator.

▲ AVERTISSEMENT Raccordez l'appareil à une alimentation d'eau potable seulement. Une alimentation d'eau froide est requise pour faire fonctionner la machine à glaçons et le pichet à remplissage automatique. La pression d'eau doit se situer entre 40 et 120 psi. (275 à 827 kPa).

▲ AVERTISSEMENT  **RISQUE DE DÉCHARGE ÉLECTRIQUE**
Fixez le collier de serrage dans le trou présent seulement. **NE PERCEZ PAS** dans le réfrigérateur.

▲ ADVERTENCIA Realice la conexión a un suministro de agua potable únicamente. Se requiere un suministro de agua fría para el funcionamiento de la máquina de hielos automática y de la jarra de llenado automático. La presión del agua deberá estar entre 40 y 120 p.s.i. (275 – 827 kPa).

▲ ADVERTENCIA  **PELIGRO DE DESCARGA ELÉCTRICA**
Adhiera la abrazadera de la tubería usando el agujero existente únicamente. **NO** perforo el refrigerador.



- Locate and bring the tubing to the front of the cabinet.
- Turn the water on to flush debris from the line. Run about a quart of water through the tubing into a bucket, then shut off the water.

Copper Tubing:

- Slip a 1/4" nut and ferrule (provided) over both ends of the copper tubing. Insert the tube into the union fitting on the unit and tighten the nut to the union.
- Turn on the water to check for leaks.

Installation Instruction - Stainless Steel Installation

STEP 10 CONNECT WATER SUPPLY (Cont.)

SmartConnect™ Tubing:

NOTE: The only Monogram-approved plastic tubing is supplied in the SmartConnect™ Refrigerator Tubing kits. Do not use any other plastic water supply line because the line is under pressure at all times. Other types of plastic may crack or rupture with age and cause water damage to your home.

SmartConnect™ Refrigerator Tubing Kits are available in the following lengths:

2' (.6 m) WX08X10002

8' (2.4 m) WX08X10006

15' (4.6 m) WX08X10015

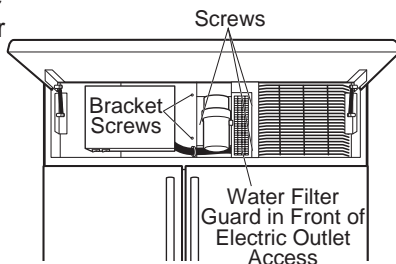
25' (7.6 m) WX08X10025

- Insert the molded end of the tubing into the refrigerator connection. Tighten the compression nut until it is just hand tight.
- Tighten one additional turn with a wrench. Overtightening can cause leaks!
- Turn on the water to check for leaks.
- Run dispenser, if available, for 2 minutes or 1 gallon of water. It is normal for the dispenser to sputter for the first few cups

NOTE: Make sure excess tubing length does not interfere with the toekick installation.

STEP 11 CONNECT POWER, CLOSE GRILLE PANEL

- Open the grille panel.
- Plug in the power cord (if necessary) by reaching into the opening next to the water filter. The water filter guard will need to be removed for access (some models). Remove the 3 screws holding it in place. If access is still too tight, remove the 2 screws holding the water filter bracket and move aside. Plug in the power cord. Secure the bracket and guard with the original screws.
- Check to make sure power to refrigerator is on by opening refrigerator door to see if interior lights are on.
- The temperature controls are preset at 37°F (3°C) for the fresh food section and 0°F (-18°C) for the freezer.
- Allow 24 hours to stabilize before making adjustments.



STEP 12 START ICEMAKER

⚠ CAUTION

To minimize the risk of personal injury, avoid contact with the moving parts of the ejector mechanism, or with the heating element that releases the cubes. Do not place fingers or hands on the automatic ice making mechanism while the appliance is plugged in.

⚠ ATTENTION

Afin de réduire le risque de blessure, évitez tout contact avec les pièces mobiles du mécanisme d'éjection ou l'élément chauffant qui libère les cubes. Ne placez pas les doigts ou les mains sur le mécanisme de production de glace automatique lorsque l'électroménager est branché dans la prise électrique.

⚠ PRECAUCIÓN

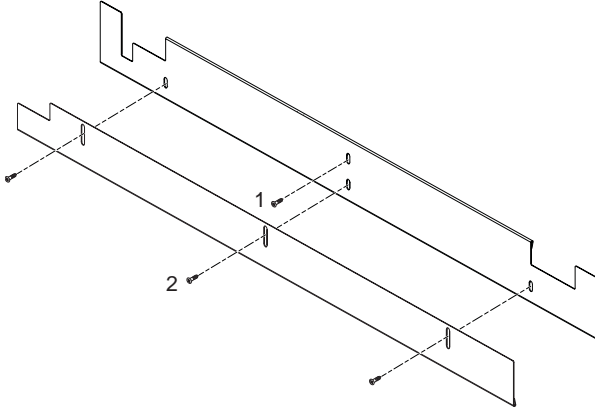
Para minimizar el riesgo de lesiones personales, evite el contacto con las partes móviles del mecanismo eyector o con el elemento de calefacción que libera los cubos. No coloque los dedos ni las manos en el mecanismo de la máquina de hielo automática mientras el electrodoméstico se encuentre enchufado.

- The icemaker will be ON when unit is plugged in.
- The icemaker will begin operation automatically.
- Be sure nothing interferes with the sweep of the feeler arm.
- Discard the first full bucket of ice cubes.
- To turn the icemaker off, depress the – and + refrigerator in the Fresh Food controls for 5 seconds. The display will show ICE OFF.
- To turn the icemaker back on, depress the – and + refrigerator in the Fresh Food controls for 5 seconds.

Installation Instruction - Stainless Steel Installation

STEP 13 INSTALL TOEKICKS

- Locate the supplied toekicks (shipped taped to the side of the refrigerator).
- Attach the LARGER toekick to the refrigerator using ONLY the top center hole (1).
- Attach the toekick skirt to the refrigerator using the three lower slots (2).

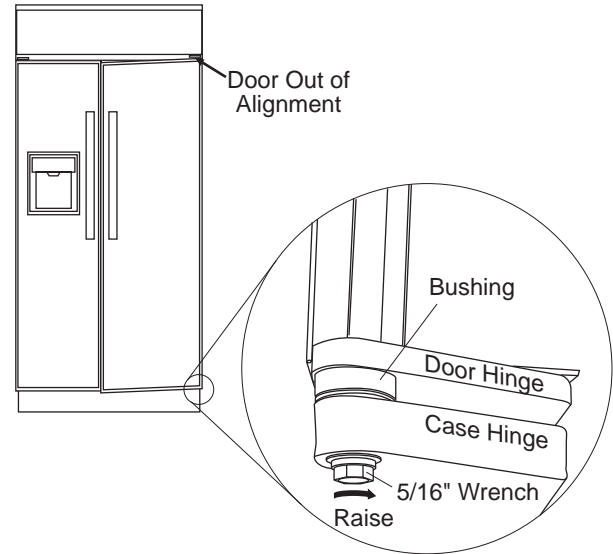


- A custom toekick can be installed to match or complement the surrounding cabinetry. Use the supplied toekick as a template to cut the shape.

INSPECT FINAL INSTALLATION

Check door alignment. Stand back away from the refrigerator to inspect the final installation.

- Check to be sure the handles are evenly aligned with each other at the top. To adjust, loosen the handle screws and slide up or down. Tighten the screws.
- Shipping or the addition of heavy door panels may have caused the doors to move slightly out of alignment.



- If necessary, the fresh food door may be adjusted up or down to align with the freezer door.
- Use a 5/16" wrench to adjust the hinge pin as shown.

Notes

Notes

Installation Instructions back page.

NOTE: While performing installations described in this book, safety glasses or goggles should be worn.

NOTE: Product improvement is a continuing endeavor at Monogram. Therefore, materials, appearance and specifications are subject to change without notice.



MONOGRAM



INSTRUCTIONS D'INSTALLATION

**Réfrigérateurs côte-à-côte
avec guide de conception**

FRANÇAIS

MONOGRAM.COM

Consignes de Sécurité

AVANT DE COMMENCER

Veuillez lire toutes ces instructions attentivement.

- **IMPORTANT** – Conservez ces instructions à l'usage de l'inspecteur local. Observez tous les codes et décrets en vigueur.
- **Note à l'installateur** – Assurez-vous de laisser ces instructions au consommateur.
- **Note au consommateur** - Conservez ces instructions avec votre manuel d'utilisation pour consultation ultérieure.

Si vous avez reçu un appareil endommagé, veuillez communiquer immédiatement avec votre revendeur ou votre entrepreneur.

Niveau de compétence – L'installation de cet appareil exige des compétences de base en mécanique, menuiserie et plomberie. La responsabilité d'une installation adéquate relève de l'installateur. La garantie Monogram ne couvre pas les défauts du produit causés par une installation inadéquate. Consultez le manuel d'utilisation pour des renseignements sur la garantie.

⚠ AVERTISSEMENT



Risque d'électrocution.

Branchez l'appareil dans une prise à 3 broches mise à la terre. N'enlevez pas la broche de mise à la terre. N'utilisez pas un adaptateur.

Cessez immédiatement l'utilisation d'un cordon électrique endommagé. Si le cordon électrique est endommagé, son remplacement doit être exécuté par un technicien en réparation qualifié au moyen d'un cordon de rechange autorisé par le fabricant.

N'utilisez pas un cordon de rallonge avec cet électroménager.

Le non-respect de ces instructions peut occasionner un décès, un incendie ou un choc électrique

Suivez les instructions de la section Mise à la terre de l'appareil.

Le circuit électrique auquel cet électroménager sera raccordé doit comporter un disjoncteur ou un autre dispositif permettant de couper l'alimentation électrique à l'appareil après l'installation.

⚠ AVERTISSEMENT



Risque de basculement.

Ces électroménagers sont lourds du haut, notamment lorsqu'une porte est ouverte, de sorte qu'ils doivent être fixés pour prévenir un basculement vers l'avant susceptible d'occasionner des blessures graves ou la mort. Lisez et observez la totalité des instructions d'installation pour connaître la façon de fixer l'électroménager sur le dispositif antibasculement.

⚠ AVERTISSEMENT



Risque d'incendie ou d'explosion.

Gardez les matériaux et les vapeurs inflammables à l'écart de l'appareil. L'omission de prendre cette précaution peut entraîner un incendie, une explosion ou la mort.

⚠ AVERTISSEMENT

Pour réduire le risque d'étouffement pendant l'installation de ce produit, ne pas laisser les petites pièces à la portée des enfants âgés de moins de 3 ans.

⚠ ATTENTION

Risque lié à la manipulation d'un objet lourd

Ce réfrigérateur est très lourd. Pour réduire le risque de blessure lors de la manutention de ce réfrigérateur, trois (3) personnes sont nécessaires pour procéder à l'installation appropriée du modèle 36 pouces, quatre (4) pour l'installation des modèles 42 ou 48 pouces.

⚠ ATTENTION

Gardez vos doigts éloignés des points de pincement. Les espaces entre les portes et ceux entre les portes et l'armoire sont particulièrement restreints. Soyez prudent lorsque vous fermez les portes en présence d'enfants.

Pour joindre le service Monogram de votre région, visitez monogram.com ou 800.444.1845.

Pour le service Monogram au Canada, visitez monogram.ca ou 800.561.3344.

Pour le service des Pièces et accessoires Monogram, visitez monogram.com/use-and-care/parts ou 800.444.1845. Au Canada, 800.661.1616.

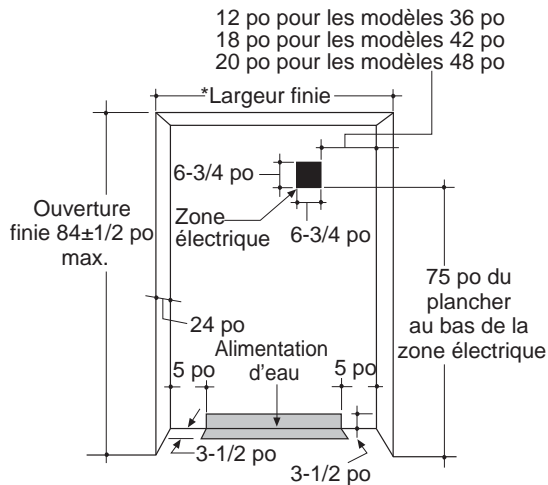
Table des matières

Sécurité	2	Instructions pour l'installation d'une insertion affleurante	23
Instructions pour une installation standard	4	Instructions pour une installation en acier inoxydable	24
Guide de planification		Guide de planification	
L'espace d'installation	5	L'espace d'installation	25
Dimensions et dégagements	6	Dimensions et dégagements	26
Renseignements essentiels sur la personnalisation	7	Renseignements essentiels sur la personnalisation	27
Panneaux latéraux	7	Panneaux latéraux	27
Emplacement du réfrigérateur	7	Emplacement du réfrigérateur	27
Ensembles d'accessoires facultatifs	7	Ouverture de porte à 130°	28
Dimensions du panneau encadré 1/4 po	8	Ouverture de porte à 90°	29
Dimensions du panneau de recouvrement 3/4 po	9		
Ouverture de porte à 130°	10	Instructions d'installation	
Ouverture de porte à 90°	11	Outils, quincaillerie, matériaux	30
Garniture pour distributeur	12	Mise à la terre de l'appareil	30
Instructions d'installation		Étape 1. Retirer l'emballage	30
Outils, quincaillerie, matériaux	12	Étape 2. Déplacer le réfrigérateur dans le domicile	30
Mise à la terre de l'appareil	12	Étape 3. Installer la conduite d'eau	31
Étape 1. Retirer l'emballage	13	Étape 4. Installation avec système de filtration	31
Étape 2. Déplacer le réfrigérateur dans le domicile	13	Étape 5. Installer les panneaux latéraux	31
Étape 3. Installer la conduite d'eau	13	Étape 6. Dispositifs antibasculement	32
Étape 4. Installation avec système de filtration	14	Étape 7. Mettre le réfrigérateur de niveau	32
Étape 5. Installer les panneaux latéraux	14	Étape 8. Autres dispositifs antibasculement	32
Étape 6. Dispositifs antibasculement	14	Étape 9. Ajustement de l'ouverture de porte	33
Étape 7. Mettre le réfrigérateur de niveau	15	Étape 10. Raccorder l'alimentation d'eau	33
Étape 8. Autres dispositifs antibasculement	15	Étape 11. Brancher l'alimentation électrique,	
Étape 9. Ajustement de l'ouverture de porte	16	fermer le panneau de grille	34
Étape 10. Installer le panneau de grille	16	Étape 12. Démarrer la machine à glaçons	34
Étape 11. Installer les panneaux encadrés 1/4	17	Étape 13. Installer le coup-de-pied	34
Étape 11A. Installer les panneaux		Inspection finale de l'installation	34
de recouvrement	18		
Étape 12. Raccorder l'alimentation d'eau	20		
Étape 13. Brancher l'alimentation électrique,			
fermer le panneau de grille	21		
Étape 14. Démarrer la machine à glaçons	21		
Étape 15. Installer le coup-de-pied	22		
Inspection finale de l'installation	22		

Instructions pour une installation standard

Guide de conception – Installation standard

L'ESPACE D'INSTALLATION



* La largeur de l'ouverture finie doit être de : $35 \frac{1}{2}$ po (90,17 cm) pour les modèles 36 po
 $41 \frac{1}{2}$ po (105,41 cm) pour les modèles 42 po
 $47 \frac{1}{2}$ po (120,65 cm) pour les modèles 48 po

Emplacements des alimentations d'eau et électrique

L'ouverture doit être préparée avec les alimentations électriques et d'eau froide situées selon l'illustration.

La profondeur de l'ouverture doit mesurer 24 po (60,96 cm)

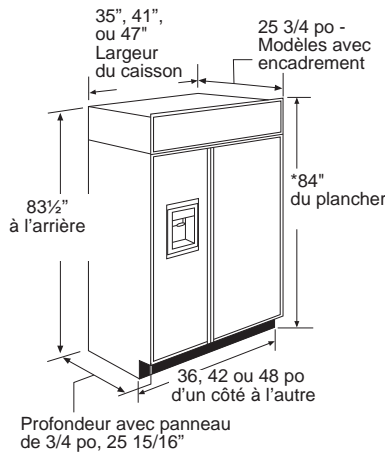
Le réfrigérateur se projettera vers l'avant, légèrement au-delà des armoires adjacentes dans le cas d'une installation standard.

Spécifications supplémentaires

- Une alimentation électrique de 115 volts, 60Hz, 15 ou 20 ampères est requise. Un circuit de dérivation ou un disjoncteur distinct correctement mis à la terre sont recommandés. Installez une prise électrique à trois alvéoles correctement mise à la terre encastrée dans le mur arrière. Le câblage électrique doit se situer sur le mur arrière comme illustré.
- La conduite d'eau peut pénétrer dans l'ouverture à travers le plancher ou le mur arrière. Acheminez la trousse SmartConnect™ ou un tuyau de cuivre de 1/4 po (D.E.) entre la conduite d'eau froide et le lieu du raccord d'eau. Le tuyau doit être suffisamment long pour atteindre le devant de l'appareil. L'installation d'un robinet de sectionnement aisément accessible est requise.

Guide de conception – Installation standard

DIMENSIONS ET DÉGAGEMENTS



* Hauteur à la livraison. On peut ajuster le réfrigérateur pour le placer dans une ouverture de 84 ½ po (214,63 cm) de hauteur. Utilisez les pieds de nivellement et les roulettes pour un ajustement en hauteur maximal de 1 po (2,54 cm).

Dégagements du produit

Ces réfrigérateurs sont dotés d'une butée à 3 positions. L'angle d'ouverture de porte réglé à 115° à l'usine peut s'ajuster à 130°, ou à 90° sur les modèles à panneau et les modèles en acier inoxydable si le dégagement aux armoires ou aux murs adjacents est restreint.

Modèles à panneaux seulement :

Allouez des dégagements minimaux pour la porte congélateur (Dimension A) et la porte réfrigérateur (Dimension B) pour une ouverture de porte complète à 130° et permettre le retrait du plateau.

Pour une ouverture de porte à 90°, allouez un dégagement minimal de 4 9/16 po (11,59 cm) à un mur. Si l'on utilise la position à 90°, l'accès au plateau est maintenu mais son retrait est restreint.

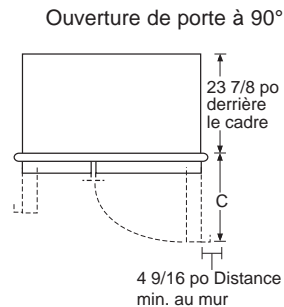
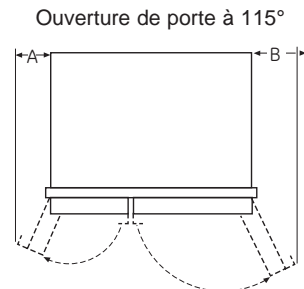
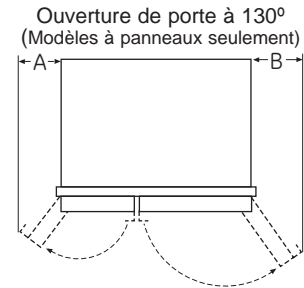
Voyez l'illustration à la pages 10 et 11 pour déterminer l'impact de l'ouverture de porte sur les armoires ou les comptoirs adjacents.

Dimensions selon la hauteur des poignées personnalisées de 2-9/16 po (6,51 cm).

ZISB36	A	B	C
90°	4-9/16 po (11.59 cm)	4-9/16 po (11.59 cm)	20-5/8 po (52.23 cm)
130°	13 po (33.02 cm)	15 po (38.1 cm)	20-5/8 po (52.23 cm)

ZIS420 ZISB42	A	B	C
90°	4-9/16 po (11.59 cm)	4-9/16 po (11.59 cm)	26-5/8 po (67.47 cm)
130°	13 po (33.02 cm)	19 po (48.26 cm)	26-5/8 po (67.47 cm)

ZIS480 ZISB48	A	B	C
90°	4-9/16 po (11.59 cm)	4-9/16 po (11.59 cm)	28-5/8 po (72.71 cm)
130°	15 po (38.1 cm)	20 po (52.23 cm)	28-5/8 po (72.71 cm)



Guide de conception – Installation standard

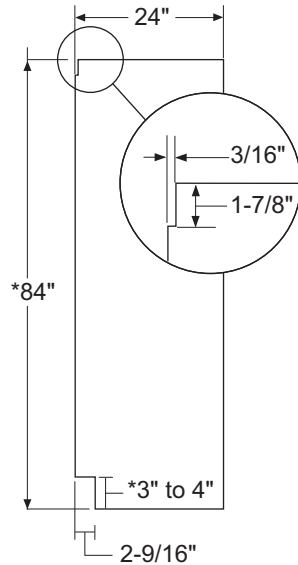
RENSEIGNEMENTS SUR LA PERSONNALISATION :

Ces réfrigérateurs sont conçus pour être personnalisés à l'aide de panneaux décoratifs. Il faut donc se procurer des panneaux de porte et de grille personnalisés dans le marché.

PANNEAUX LATÉRAUX

On doit utiliser des panneaux latéraux si les côtés du réfrigérateur sont exposés. Les panneaux latéraux de 1/4 po (0,63 cm) vont glisser dans la garniture latérale de caisson. Attachez les panneaux sur le réfrigérateur à l'aide de ruban autoagrippant (velcro). Commandez les panneaux latéraux auprès du fabricant d'armoires.

- Découpez une encoche dans le coin supérieur avant comme illustré pour le dégagement des clavettes d'angle dans la garniture latérale avant.



* Selon la hauteur de l'installation.

EMPLACEMENT DU RÉFRIGÉRATEUR

- N'installez pas le réfrigérateur à un endroit où la température peut descendre en dessous de 55 °F (13 °C). L'appareil ne fonctionnera pas suffisamment souvent pour maintenir les températures appropriées.
- N'installez pas le réfrigérateur/congélateur à un endroit où la température monter au-delà de 100 °F (37 °C). L'appareil ne fonctionnera pas correctement.
- N'installez pas le réfrigérateur dans un endroit exposé à l'eau (pluie, etc.) ou aux rayons directs du soleil. À cet endroit, le plancher doit pouvoir supporter le poids du réfrigérateur pleinement chargé (environ 1500 livres).

ENSEMBLES D'ACCESSOIRES FACULTATIFS

ZKLN : L'ensemble de poignée à visière à utiliser sur les modèles à panneau personnalisé d'une installation standard.

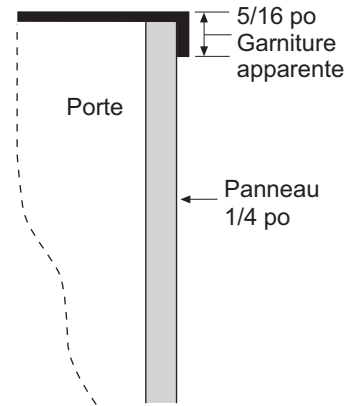
Guide de conception – Installation standard

DIMENSIONS DU PANNEAU ENCADRÉ 1/4 po (0,63 cm)

Si vous choisissez d'installer des panneaux encadrés, ils doivent être coupés aux dimensions illustrées. Les panneaux glissent dans le cadre de la porte et de la grille.

Modèles sans distributeur

Si le panneau personnalisé mesure moins de 1/4 po (0,63 cm) en épaisseur et qu'il présente du jeu dans le cadre de porte, on peut le souffler avec un matériau de remplissage ou du ruban de mousse afin d'améliorer son ajustement.



REMARQUE IMPORTANTE : Poids total maximal du panneau :

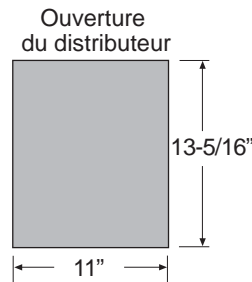
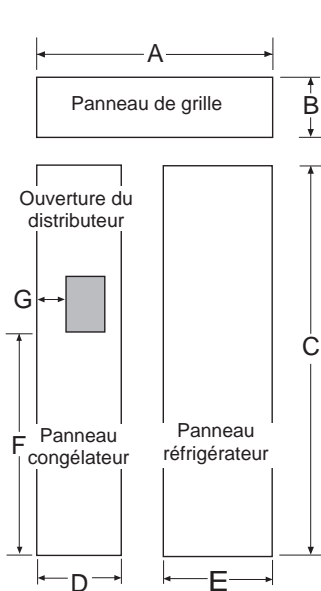
- Panneau de porte réfrigérateur – 75 lbs. (34.0 kg)
- Panneau de porte du congélateur – 53 lbs. (24.0 kg)
- Panneau de grille – 18 lbs. (8.16 kg)

REMARQUE IMPORTANTE – MODÈLES AVEC DISTRIBUTEUR

Le réfrigérateur est livré avec deux garnitures pour distributeur, l'une pour les panneaux encadrés et l'autre pour les panneaux de recouvrement.

- Si le panneau personnalisé mesure moins de 0,250 po (0,63 cm) en épaisseur, un jeu sera visible autour de la garniture du distributeur. On peut appliquer du ruban de mousse sur la porte pour améliorer l'adaptation.
- Si l'épaisseur du panneau est supérieure à 0,250 po (0,63 cm), la garniture pour distributeur ne peut pas être fixée à la porte.

Voir l'exemple de pose d'une garniture pour distributeur à la page 11.



Le panneau encadré doit mesurer 1/4 po (0,63 cm) en épaisseur nominale pour s'adapter à la garniture du distributeur.

Côte à côte (pouces)

	Côte à côte (pouces)					Position de l'ouverture du distributeur	
	A	B	C	D	E	F	G
Modèles 36 "	33-7/8	9	68-3/8	14-9/16	18-9/16	34-3/16	1-7/8
Modèles 42 "	39-7/8	9-1/2	68-3/8	14-9/16	24-9/16	34-3/16	1-7/8
Modèles 48 "	45-7/8	9-1/2	68-3/8	18-9/16	26-9/16	34-3/16	3-7/8

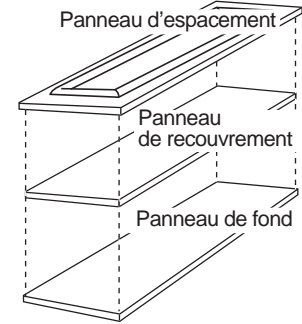
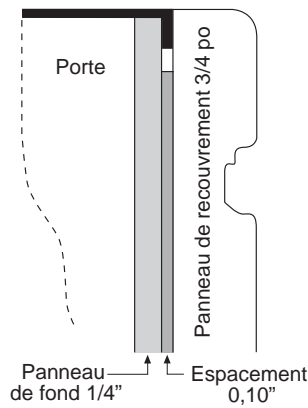
Guide de conception – Installation standard

DIMENSIONS DU PANNEAU DE RECOUVREMENT 3/4 po

Pour une apparence davantage personnalisée, on peut installer des panneaux de recouvrement sur les modèles avec garnitures. Il faut poser le panneau de recouvrement sur un panneau de fond de 1/4 po (0,63 cm) qui glissera dans la garniture. Un panneau d'espacement de 0,10 po (0,25 cm) d'épaisseur doit être placé entre les panneaux de recouvrement et de fond.

Assemblez les panneaux avec de la colle et des vis.

- Centrez le panneau d'espacement sur le panneau de fond, horizontalement et verticalement. Fixez les panneaux avec de la colle.
- Centrez les panneaux d'espacement et de fond sur le panneau de recouvrement et fixez avec de la colle et des vis. Il faut noyer les vis dans le panneau de fond.



REMARQUE : Le décalage horizontal n'égal pas toujours le décalage vertical.

$$.250'' + .10'' + .750'' = 1.100'' \text{ Épaisseur totale du panneau}$$

$$0.63 + 0.25 + 1.91 = 2.79 \text{ cm}$$

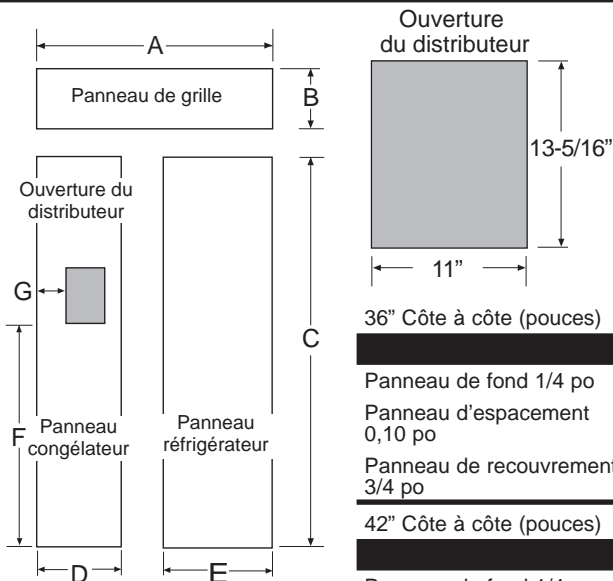
REMARQUE IMPORTANTE – MODÈLES AVEC DISTRIBUTEUR

Le réfrigérateur est livré avec deux garnitures pour distributeur, l'une pour les panneaux encadrés et l'autre pour les panneaux de recouvrement. La garniture pour panneau de recouvrement est conçue pour s'adapter à une épaisseur de panneau totale de 1,100 po.

- Si l'épaisseur du panneau est inférieure à 1,100 po (2,79 cm), un jeu sera visible autour de la garniture du distributeur.
- Si l'épaisseur du panneau est supérieure à 1,100 po (2,79 cm), la garniture du distributeur ne peut pas s'adapter à la porte.

Voyez un exemple de pose de garniture pour distributeur à la page 11.

- Le panneau de recouvrement doit être construit selon les spécifications indiquées pour atteindre l'épaisseur totale appropriée.
- On ne peut pas utiliser d'autres méthodes de construction du panneau, par exemple fixer un panneau de 3/4 po (1,91 cm) sur un panneau de fond de 1/4 po (0,63 cm), ou encore toupiller un panneau de 3/4 po (1,91 cm) sur tous les côtés. Ces méthodes n'obtiendront pas l'épaisseur requise de 1,100 po (2,79 cm).



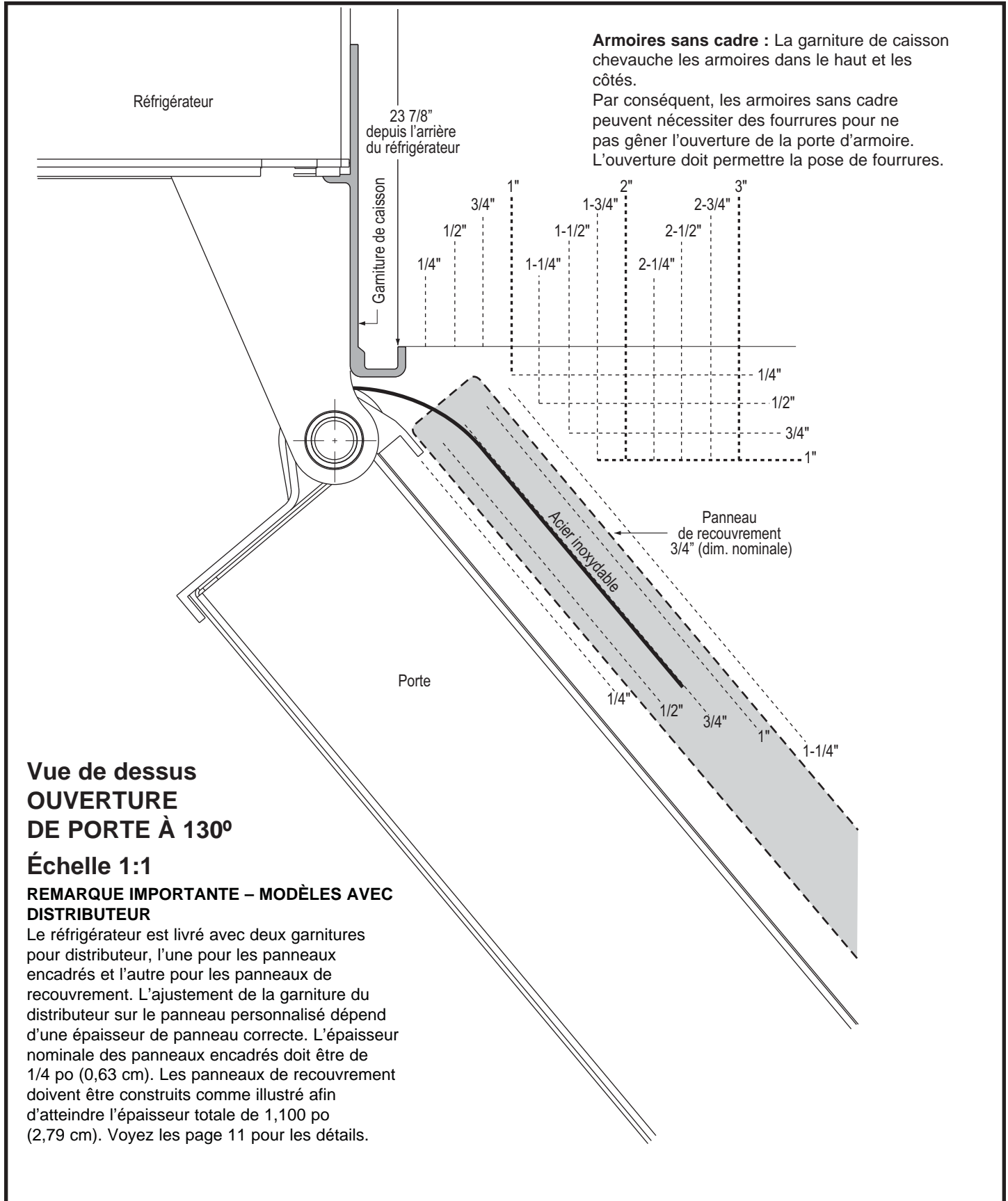
*Découpez l'ouverture du distributeur une fois que les panneaux de fond, d'espacement et de recouvrement ont été assemblés.

REMARQUE IMPORTANTE : Poids total maximal des panneaux assemblés :

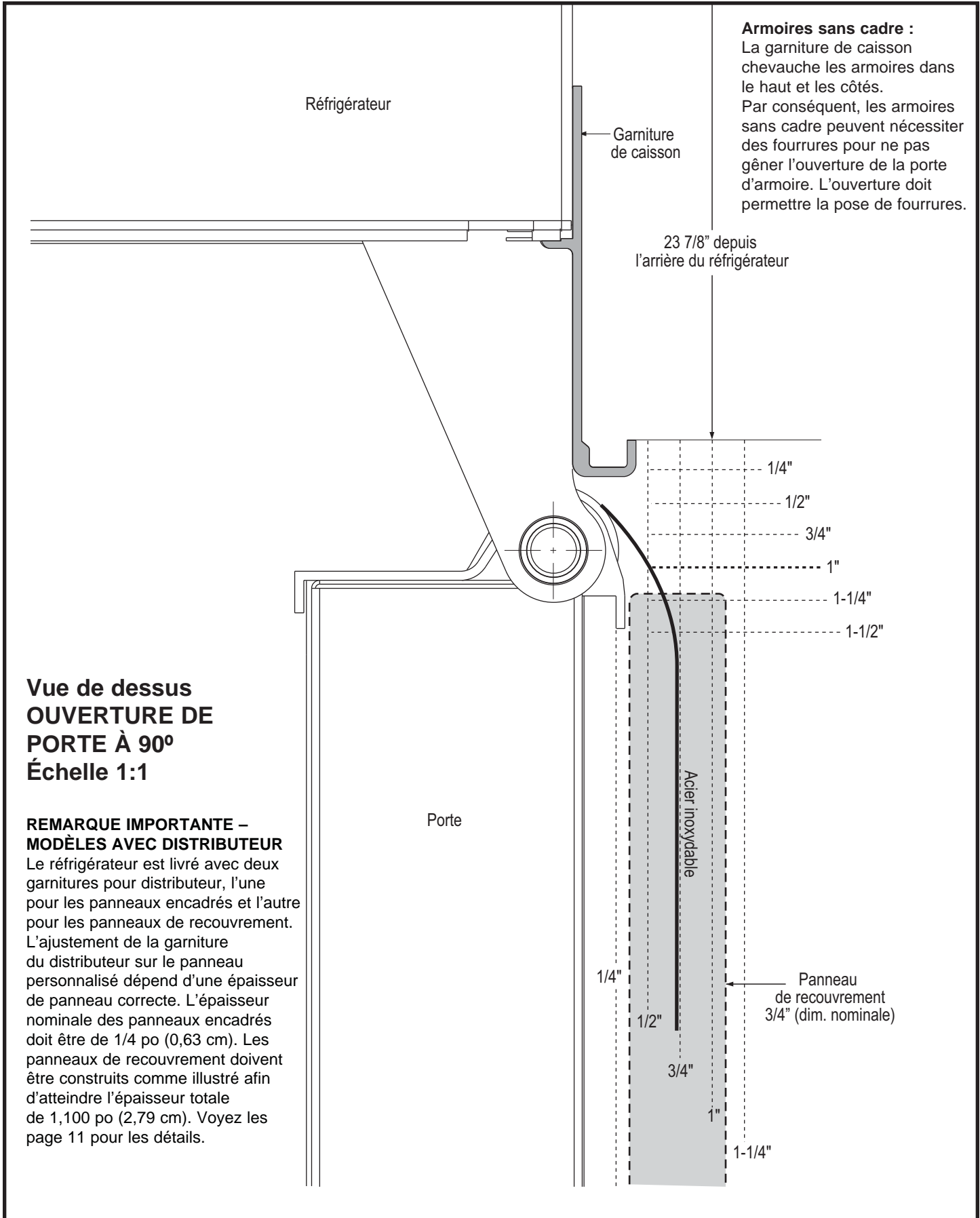
- Panneau de porte réfrigérateur – 75 lbs. (34.0 kg)
- Panneau de porte du congélateur – 53 lbs. (24.0 kg)
- Panneau de grille – 18 lbs. (8.16 kg)

	36" Côte à côte (pouces)					Position de l'ouverture du distributeur	
	A	B	C	D	E	F	G
Panneau de fond 1/4 po	33-7/8	9	68-3/8	14-9/16	18-9/16		
Panneau d'espacement 0,10 po	33	8-3/8	67	13-1/4	17-1/4		
Panneau de recouvrement 3/4 po	34-1/8	9-1/4	68-5/8	14-13/16	18-13/16	34-5/16	2
42" Côte à côte (pouces)							
	A	B	C	D	E	F	G
Panneau de fond 1/4 po	39-7/8	9-1/2	68-3/8	14-9/16	24-9/16		
Panneau d'espacement 0,10 po	39	8-5/8	67	13-1/4	23-1/4		
Panneau de recouvrement 3/4 po	40-1/8	9-3/4	68-5/8	14-13/16	24-13/16	34-5/16	2
48" Côte à côte (pouces)							
	A	B	C	D	E	F	G
Panneau de fond 1/4 po	45-7/8	9-1/2	68-3/8	18-9/16	26-9/16		
Panneau d'espacement 0,10 po	45	8-5/8	67	17-1/4	25-1/4		
Panneau de recouvrement 3/4 po	46-1/8	9-3/4	68-5/8	18-13/16	26-13/16	34-5/16	4

Guide de conception – Installation standard



Guide de conception – Installation standard



Instructions d'installation - Installation standard

EXEMPLES DE POSE DE LA GARNITURE POUR DISTRIBUTEUR : (NON À L'ÉCHELLE)

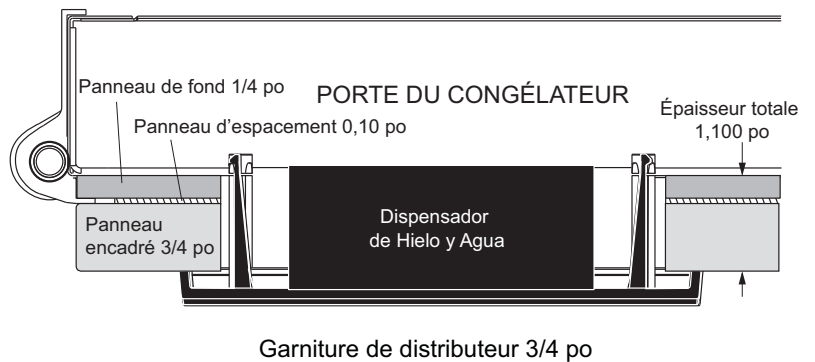
PANNEAU ENCADRÉ 1/4 po (0,63 cm)

- La garniture du distributeur s'adapte sur le panneau personnalisé et s'encliquète sur la porte du congélateur.
- Les attaches ne se fixeront pas sur la porte si l'épaisseur du panneau est supérieure à 0,250 po (0,63 cm).
- Si l'épaisseur du panneau est inférieure à 0,250 po (0,63 cm), un jeu sera visible autour de la garniture du distributeur.



PANNEAU DE RECOUVREMENT 3/4" (1,91 cm)

- La garniture du distributeur s'adapte sur le panneau personnalisé et s'encliquète sur la porte du congélateur.
- Les attaches ne se fixeront pas sur la porte si l'épaisseur du panneau est supérieure à 1,100" (2,79 cm).
- Si l'épaisseur du panneau est inférieure à 1.100" (2,79 cm), un jeu sera visible autour de la garniture du distributeur.



OUTILS ET MATÉRIAUX REQUIS

- Cisaille pour couper le cerclage
- Escabeau
- Rallonge de foret 1 po
- Ruban à mesurer
- Gants
- Vis autoforeuses 1/4 po
- Seau 5 gallons avec couvercle
- Niveau 6 po
- Diable pour électroménagers
- Coupe-tuyau
- Clé ouverte 7/16 po
- Tournevis à tête cruciforme no 2
- Perceuse et forets appropriés
- Douille 5/16, 7/16 po
- Lunettes de protection
- Clé ouverte 1 1/8 po
- Pince
- Clé à douille combinée 1/4, 5/16 po
- Support antibasculement 2x4, 35 po long
- Tuyau de cuivre 1/4 po pour conduite d'eau ou trousse SmartConnect™ pour réfrigérateur
- Robinet de sectionnement
- Panneaux personnalisés pour porte et panneau de grille
- Vis pour fixer le réfrigérateur aux armoires
- Ruban autoagrippant adhésif pour panneaux latéraux 1/4 po

QUINCAILLERIE FOURNIE

- Bouchon de dérivation de filtre (sur certains modèles)
- Coup-de-pied
- Écrou et bague 1/4 po
- Garniture de distributeur pour panneau de revêtement (utilisation avec modèles à panneaux personnalisés).

PLANCHER

Une installation correcte exige que le réfrigérateur soit placé sur la surface d'un matériau dur de niveau et de la même hauteur que le reste du plancher. Cette surface doit être suffisamment robuste pour supporter un réfrigérateur pleinement chargé, ou environ 1500 lb (680,39 kg).

REMARQUE : Protégez le fini du plancher. Découpez une grande section de carton et placez-la sous le réfrigérateur à l'endroit où vous travaillez.

Instructions d'installation - Installation standard

MISE À LA TERRE DU RÉFRIGÉRATEUR

⚠ AVERTISSEMENT  Risque de choc

électrique.

Le non-respect de ces instructions peut entraîner des risques d'incendies, des chocs électriques ou la mort. Le cordon d'alimentation de cet appareil est équipé d'une fiche à trois broches (pour une mise à la terre) qui s'adapte à la prise de courant standard à 3 broches (pour une mise à la terre) pour minimiser les risques de chocs électriques par cet appareil.

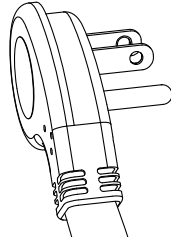
Faites vérifier la prise murale et le circuit électrique par un électricien qualifié pour s'assurer que le système est correctement mis à la terre.

Dans le cas d'une prise biphasée, l'installateur a la responsabilité et l'obligation de la remplacer par une prise triphasée correctement mise à la terre.

NE COUPEZ PAS OU N'ENLEVEZ PAS, SOUS AUCUN PRÉTEXTE, LA TROISIÈME BROCHE DE MISE À LA TERRE DU CORDON D'ALIMENTATION.

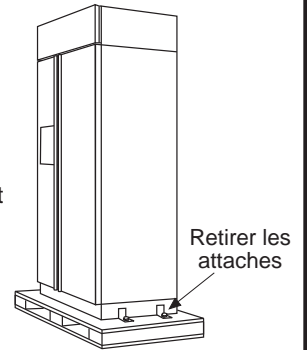
N'UTILISEZ PAS D'ADAPTATEUR POUR BRANCHER LE RÉFRIGÉRATEUR À UNE PRISE BIPHASÉE.

N'UTILISEZ PAS DE RALLONGE AVEC CET APPAREIL.



ÉTAPE 1 RETIRER L'EMBALLAGE (suite)

- Les blocs de support dans le bas du compartiment de réfrigération doivent être retirés avant que le réfrigérateur puisse être délogé du patin, sinon il y a risque d'endommagement. Penchez avec précaution le réfrigérateur et glissez les blocs vers l'extérieur depuis le dessous.
- Retirez le coup-de-pied, fixé avec du ruban sur le côté gauche du réfrigérateur et conservez-le pour terminer l'installation.
- Soulevez le réfrigérateur du patin à l'aide d'un diable pour électroménager. Manipulez depuis les côtés.



ÉTAPE 2 DÉPLACER LE RÉFRIGÉRATEUR DANS LE DOMICILE

- Réutilisez les montants d'angle de l'emballage afin de protéger les modèles en acier inoxydable. Placez les sangles de chariot pour électroménager par-dessus les montants et sous les poignées.
- Laissez la pellicule protectrice sur le réfrigérateur tant que l'installation n'est pas terminée. IMPORTANT : Ne soulevez jamais le réfrigérateur par la poignée et ne le poussez pas contre le panneau de grille car cela pourrait causer des dommages ou désalignement.
- Évitez de déposer l'appareil sur sa face arrière ou ses côtés pour ne pas nuire à l'étanchéité du système.

ÉTAPE 1 RETIRER L'EMBALLAGE

⚠ AVERTISSEMENT  Risque de

basculement Le réfrigérateur est beaucoup plus lourd en haut qu'en bas. Il faut être prudent lors des déplacements. Si un diable est utilisé, il faut soulever le réfrigérateur sur le côté seulement.

- Couper avec précaution le cerclage dans le haut et le bas, retirez le carton extérieur.
- Retirez les montants d'angle arrière (2) en les glissant.
- En le glissant, retirez le carton du haut de l'appareil.

REMARQUE : IL N'EST PAS NÉCESSAIRE DE DÉPOSER L'APPAREIL POUR RETIRER LE PATIN!

- L'appareil est fixé sur le patin à l'aide de 4 brides d'arrimage à fente. Retirez les six boulons 7/16 po des profilés de base dans les brides.
- Retirez les six boulons 7/16 po qui fixent les brides sur le patin.

REMARQUE : NE TENTEZ PAS DE ROULER L'APPAREIL HORS DU PATIN.

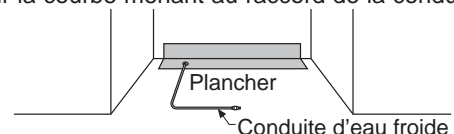
ÉTAPE 3 INSTALLER LA CONDUITE D'EAU

⚠ AVERTISSEMENT Raccordez l'appareil à une alimentation d'eau potable seulement. Une alimentation d'eau froide est requise pour faire fonctionner la machine à glaçons et le pichet à remplissage automatique. La pression d'eau doit se situer entre 40 et 120 psi. (275 à 827 kPa).

⚠ AVERTISSEMENT  RISQUE DE DÉCHARGE ÉLECTRIQUE

Fixez le collier de serrage dans le trou présent seulement. NE PERCEZ PAS dans le réfrigérateur.

- Une alimentation d'eau froide est requise pour faire fonctionner la machine à glaçons automatique. La pression d'eau doit se situer entre 40 et 120 psi (275 à 827 kPa).
- Acheminez le tuyau de cuivre 1/4 po (D.E.) ou le tuyau plastique SmartConnect™ entre la conduite d'eau froide du domicile et le raccord d'eau.
- Le tuyau doit être suffisamment long pour atteindre le devant de l'appareil. Prévoyez une longueur de tuyau suffisante pour la courbe menant au raccord de la conduite d'eau.



Instructions d'installation - Installation standard

ÉTAPE 3 INSTALLER LA CONDUITE D'EAU (suit)

REMARQUE : Les seuls tuyaux en plastique approuvés par Monogram sont ceux inclus dans les trousse de tuyaux pour réfrigérateur SmartConnect™. N'utilisez pas d'autres tuyaux d'alimentation d'eau en plastique car ils seront sous pression constamment. D'autres types de plastique peuvent se fissurer ou se rompre avec le temps et occasionner des dégâts d'eau dans votre domicile.

Les trousse de tuyau pour réfrigérateur SmartConnect™ sont offertes dans les longueurs suivantes :

- 2' (.6 m) WX08X10002
- 8' (2.4 m) WX08X10006
- 15' (4.6 m) WX08X10015
- 25' (7.6 m) WX08X10025

Fermez l'alimentation d'eau principale.

Ouvrez le robinet le plus près suffisamment longtemps pour nettoyer la conduite d'eau.

- Installez un robinet de sectionnement entre le robinet d'eau de la machine à glaçons et le tuyau d'eau froide dans le sous-sol ou une armoire. Le robinet de sectionnement doit être situé à un endroit aisément accessible.
- Ouvrez l'alimentation d'eau principale et rincez les débris. Faites couler environ un litre d'eau à travers le tuyau aboutissant dans un seau. Coupez l'alimentation d'eau au robinet de sectionnement.

REMARQUE : Des robinet de sectionnement à étrier sont inclus dans plusieurs trousse d'alimentation d'eau. Avant de faire l'achat, assurez-vous que le robinet à étrier est conforme aux codes de plomberie locaux.

REMARQUE : Les codes de plomberie 248CMR du Commonwealth du Massachusetts doivent être satisfaits. Les robinets à étrier sont illégaux et leur utilisation prohibée dans le Massachusetts. Consultez votre plombier agréé.

ÉTAPE 4 INSTALLATION DE LA CONDUITE D'EAU AVEC SYSTÈME D'OSMOSE INVERSE OU AUTRE SYSTÈME DE FILTRATION DOMESTIQUE

Passez cette étape si vous n'utilisez pas de système d'osmose inverse ou de système de filtration domestique.

Si l'alimentation en eau de votre réfrigérateur provient du système de filtration domestique, utilisez le bouchon de dérivation de filtre du réfrigérateur. L'utilisation de la cartouche de filtrage d'eau du réfrigérateur avec un osmoseur peut produire des glaçons creux.



Tourner dans le sens contraire des aiguilles pour retirer



Bouchon de dérivation de filtre

Pour obtenir un bouchon de dérivation sans frais, visitez monogram.com ou composez le 800.444.1845. Au Canada, visitez monogram.ca ou composez le 800.661.1616. Le bouchon de dérivation est installé de la même façon que le filtre en cartouche.

La machine à glaçons ne fonctionnera pas sans filtre ou bouchon de dérivation.

ÉTAPE 5 INSTALLER LES PANNEAUX LATÉRAUX

Sautez cette étape si vous n'utilisez pas de panneaux latéraux. Si vous utilisez des panneaux latéraux 1/4 po (0,63 cm), il faut les insérer dans la garniture de caisson. Fixez les panneaux sur le réfrigérateur à l'aide de ruban autoagrippant adhésif avant de mettre le réfrigérateur en place.

ÉTAPE 6 DISPOSITIF ANTIBASCULEMENT

⚠ AVERTISSEMENT



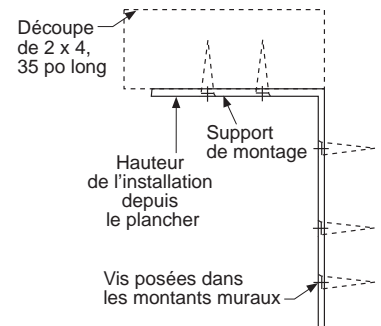
Risque de

basculement

Ces réfrigérateurs présentent une partie supérieure lourde, en particulier avec une porte ouverte; ils doivent donc être fixés pour prévenir le basculement vers l'avant et le risque concomitant de blessure grave ou fatale. Lisez et suivez les instructions d'installation complètes pour l'installation du système anti-basculement.

- Découpez un bloc de 2 x 4 po, sur 35 po (88,9 cm) de long et fixez le bloc sur les supports de montage fournis à l'aide de vis à bois nos 12 ou 14.

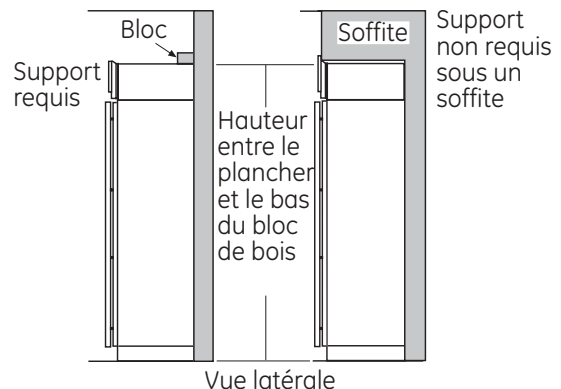
- Fixez le support avec le bloc de bois sur le mur arrière de façon qu'il soit à 84 po (213,36 cm) du plancher fini. Utilisez des vis à bois nos 12 ou 14. Voir l'illustration.



- Les vis doivent pénétrer les montants muraux sur au moins 1 pouce.

- En présence de montants métalliques, utilisez des vis à métal autotaraudeuses plutôt que des vis à bois.

IMPORTANT : Lorsque le réfrigérateur est installé en-dessous d'un soffite, ou si la hauteur n'est pas suffisante pour cette méthode de sécurité, on ne peut pas utiliser de supports. Allez à l'étape 7 pour mettre le réfrigérateur de niveau puis à l'étape 8 pour le fixer aux armoires. Le réfrigérateur doit être fixé afin de prévenir le basculement.



Instructions d'installation - Installation standard

ÉTAPE 6 DISPOSITIF ANTIBASCULEMENT (suite)

BRANCHER LE CORDON D'ALIMENTATION :

- Avant de pousser le réfrigérateur dans l'ouverture, branchez le cordon électrique dans la prise. Le protecteur de filtre à eau devra être enlevé pour permettre l'accès (certains modèles). Retirez les 3 vis qui le fixent en place. Si l'accès est trop restreint, retirez les 2 vis qui fixent le support de filtre à eau et mettez-le de côté. Ouvrez le panneau de grille et prenez le cordon électrique à l'arrière de l'ouverture.

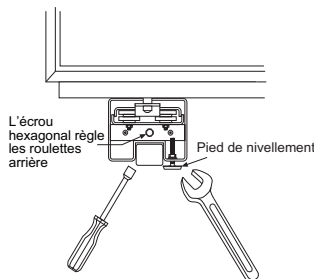
Tirez le cordon dans l'ouverture à mesure que vous repoussez le réfrigérateur. Fixez le support et le protecteur à l'aide des vis d'origine.

- Poussez avec soin le réfrigérateur dans l'ouverture avec les mains sur les coins frontaux.

ÉTAPE 7 METTRE LE RÉFRIGÉRATEUR DE NIVEAU

Tous les modèles sont dotés de 4 points de nivellement. Le devant est supporté par des pieds de nivellement; l'arrière par des roulettes réglables. Les deux types sont accessibles depuis le devant du réfrigérateur.

- Pour niveler l'arrière du réfrigérateur, tournez l'écrou hexagonal 7/16 po situé au dessus des roulettes avant. Tournez dans le sens des aiguilles pour lever l'appareil, dans le sens inverse pour le baisser.

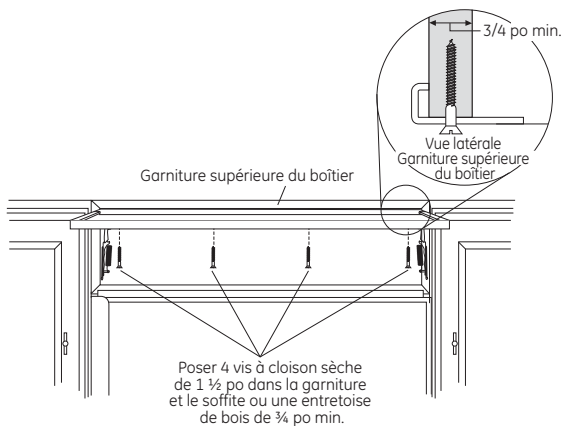


- Pour niveler le devant, utilisez une clé ouverte 1 1/4 po (3,175 cm).
- Ajustez la hauteur du réfrigérateur pour l'adapter à l'ouverture de 84 1/2 po (214,63 cm) de l'installation. Le réfrigérateur doit être de niveau et aplombé aux armoires.

NOTICE: Les roulettes de nivellement arrière et les pieds de nivellement avant sont limités à une hauteur de réglage maximale de 1 po. Si l'installation exige une hauteur supérieure à 84 1/2 po, l'installateur doit surélever l'appareil sur une feuille de contreplaqué ou des rails. On peut aussi ajouter une garniture d'armoire dans le haut de l'ouverture pour raccourcir celle-ci. Une tentative de lever le réfrigérateur de plus de 1 po (2,54 cm) endommagera les pieds de nivellement avant et les roulettes de nivellement arrière. **Procédez aux ajustements graduellement.**

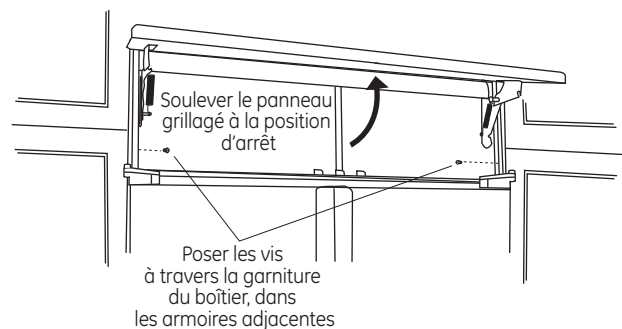
ÉTAPE 8 AUTRES DISPOSITIFS ANTIBASCULEMENT

Le réfrigérateur doit être fixé afin de prévenir le basculement.



- Soulevez le panneau de grille pour accéder à la garniture de caisson.
- Utilisez un foret 3/16 po pour percer quatre trous de dégagement uniformément espacés à travers la garniture de caisson supérieure.

- Utilisez un foret 1/16 po pour percer des trous de guidage à travers les trous de dégagement métalliques, dans le soffite en bois. Les trous doivent être centrés dans le soffite ou un renfort en bois d'un minimum de 3/4 po. Le renfort sur la largeur de l'ouverture doit être fixé solidement dans les armoires des deux côtés.
- Posez quatre vis pour cloison sèche de 1 1/2 po (3,81 cm) dans les trous de guidage.
- Vissez les vis dans les armoires adjacentes à travers la garniture de caisson latérale.

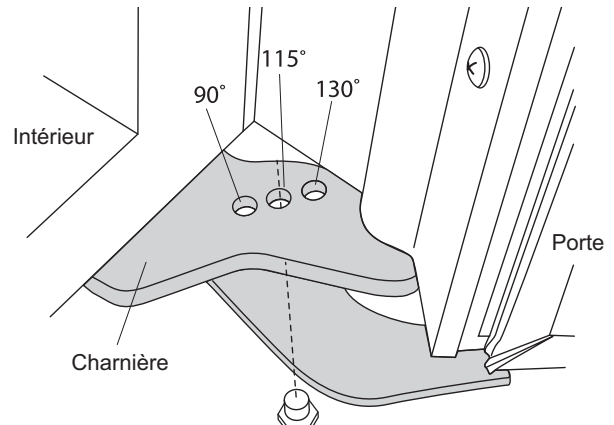


Instructions d'installation - Installation standard

ÉTAPE 9 AJUSTER L'OUVERTURE DE PORTE

REMARQUE : Ce réfrigérateur est doté de 3 positions de butée de port à 90°, 115° et 130°. Lorsque l'espace est insuffisant pour une ouverture de porte complète à 115°, on peut ramener l'ouverture à 90°. Une option d'ouverture à 130° est offerte pour l'installation standard seulement. **Sautez cette étape si l'ouverture de porte est satisfaisante pour votre installation.**

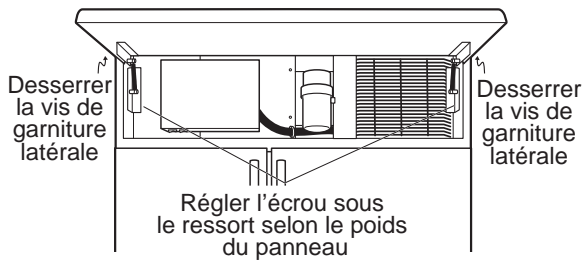
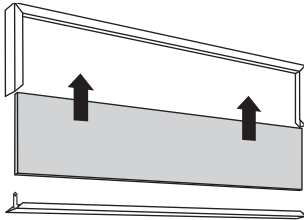
- Ouvrez la porte pour voir la charnière inférieure. Repérez les positions pour la tige de butée de porte. La tige est placée à 115° à l'usine.
- Fermez la porte. Depuis le dessous, utilisez une pince pour dévisser la butée de porte puis réinstallez à la position 130° ou 90°.



ÉTAPE 10 INSTALLER LE PANNEAU DE GRILLE

Pour insérer le panneau encadré ou de recouvrement dans la grille :

- Soulevez le panneau de grille jusqu'à la position d'arrêt.



- Desserrez les vis sur la garniture latérale derrière le cadre. Retirez la garniture inférieure.

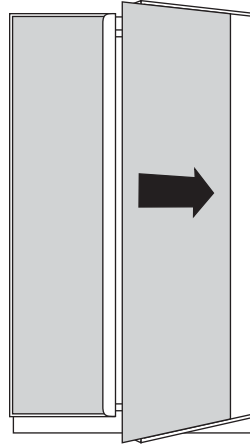
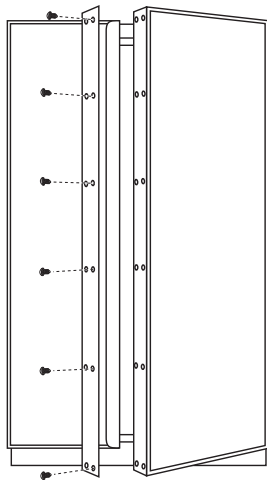
ATTENTION RISQUE DE COUPURE : ATTENTION AUX ARÊTES VIVES

Le panneau en métal peut être glissant. Tenir fermement le panneau en métal, de manière à ce que le panneau ne glisse pas en dehors du cadre en provoquant des blessures corporelles ou des dommages au cadre.

- Glissez le panneau par-dessus le panneau de fond métallique et dans la garniture.
- Si nécessaire, tapotez avec un bloc de bois jusqu'à ce que le panneau glisse sous la garniture supérieure.
- Réassemblez la garniture inférieure. Serrez les vis.
- Réglez le ressort de charnière selon le poids du panneau, si nécessaire.

Instructions d'installation - Installation standard

ÉTAPE 11 INSTALLER LES PANNEAUX ENCADRÉS 1/4 po (0,63 cm)



Allez à l'étape 11A pour les panneaux de recouvrement

Poignée à visière facultative de l'ensemble ZKLN

Garniture de porte

Porte du réfrigérateur

Poignée à visière illustrée et positionnée à 1/4 de po du panneau de l'ensemble ZKLN

Installer les panneaux de porte :

- Ouvrez la porte à 90°.
- Retirez 6 vis qui fixent la garniture de porte du côté poignée, puis soulevez la garniture pour la dégager. Conservez les vis.
- Glissez le panneau encadré dans la garniture de porte.

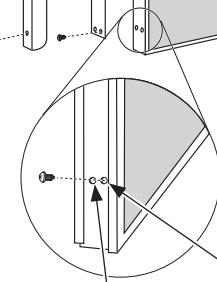
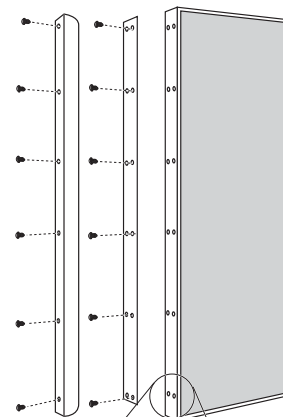
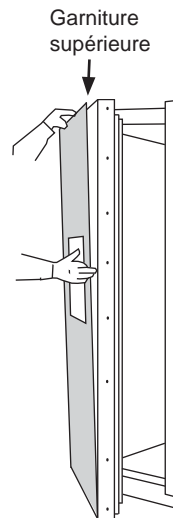
Modèles avec distributeur seulement :

- **IMPORTANT** : Les commandes du distributeur dépassent de la face de la porte du congélateur. Pour éviter d'endommager le distributeur, il faut enlever la garniture dans le haut de la porte.
- Retirez les vis qui fixent la garniture supérieure.
- Placez le panneau de congélateur dans le profilé inférieur et glissez-le dans la garniture côté charnière.
- Réinstallez la garniture supérieure avec les vis.

Tous les modèles

- Deux ensembles de trous se trouvent dans la garniture de porte côté poignée. Remplacez la garniture de porte côté poignée en posant les vis d'origine dans les trous de vis AVANT.
- Fixez fermement la poignée à visière de l'ensemble ZKLN à la porte en utilisant les trous de vis ARRIÈRE.
- Suivez la même procédure pour installer le panneau opposé.
- Assurez-vous que les poignées sont alignées uniformément les unes avec les autres dans le haut. Pour ajuster, desserrez les vis de poignée et glissez vers le haut ou le bas. Serrez les vis.

REMARQUE : La garniture de couvercle en aluminium est fournie pour utilisation avec les poignées personnalisées sur les panneaux de recouvrement. Elle ne convient pas aux panneaux de 1/4 po (0,63 cm). Vous n'avez pas besoin de la garniture de couvercle si vous utilisez des panneaux encadrés de 1/4 po (0,63 cm).

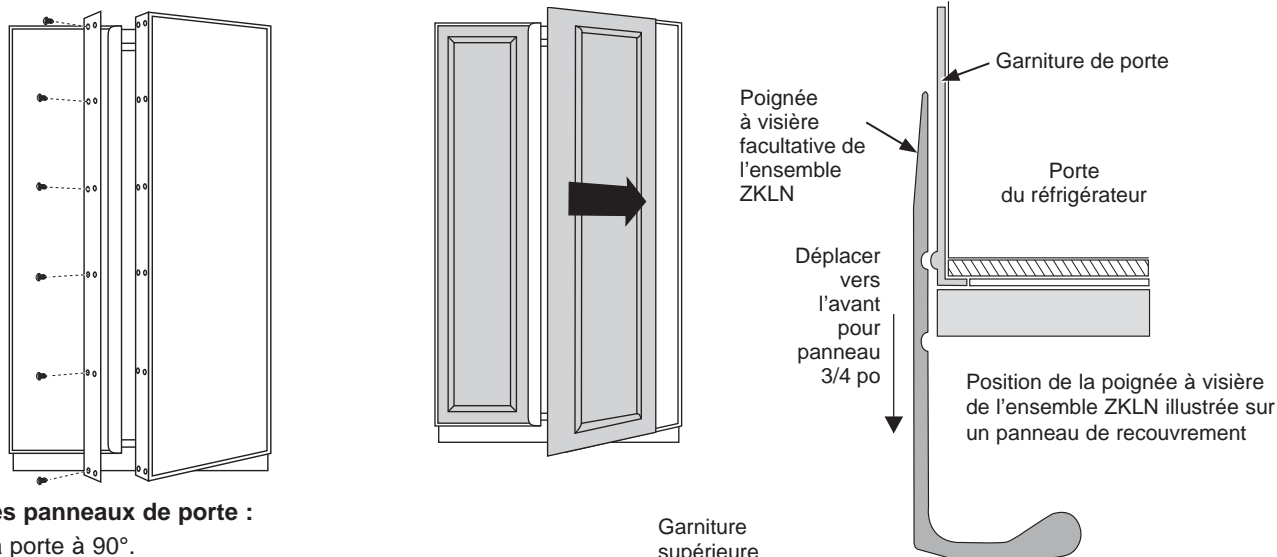


Utiliser le trou avant pour fixer la garniture

Utilisez les trous arrière pour fixer fermement la poignée à visière de l'ensemble ZKLN

Instructions d'installation - Installation standard

ÉTAPE 11A INSTALLER LES PANNEAUX DE RECOUVREMENT



Installer les panneaux de porte :

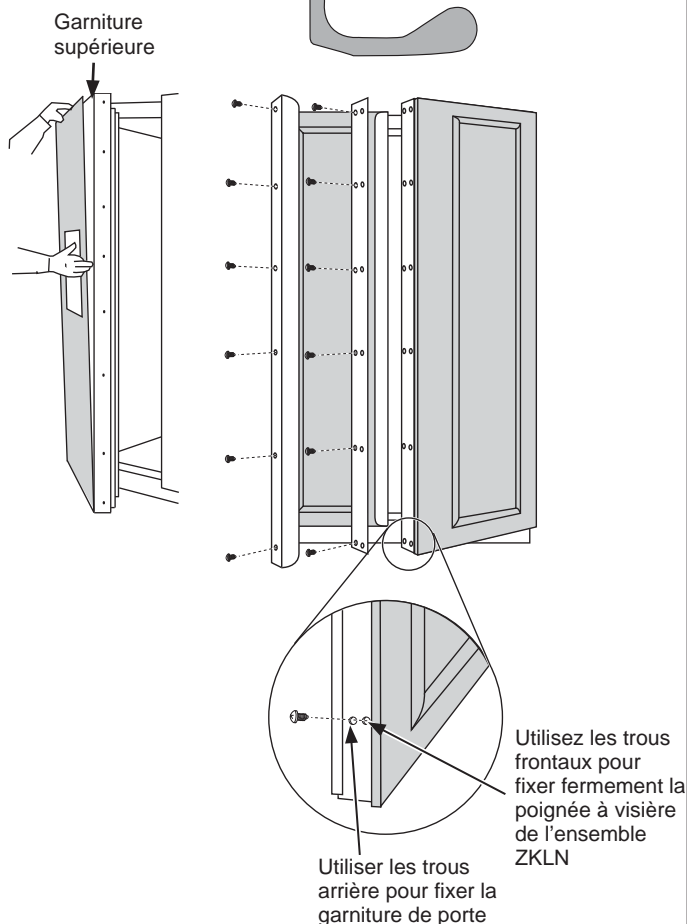
- Ouvrez la porte à 90°.
- Retirez 6 vis qui fixent la garniture de porte du côté poignée, puis soulevez la garniture pour la dégager. Conservez les vis.
- Glissez le panneau de recouvrement dans la garniture de porte.

Modèles avec distributeur seulement :

- **IMPORTANT:** Les commandes du distributeur dépassent de la face de la porte du congélateur. Pour éviter d'endommager le distributeur, il faut enlever la garniture dans le haut de la porte.
- Retirez les vis qui fixent la garniture supérieure.
- Placez le panneau de congélateur assemblé dans le profilé inférieur et glissez-le dans la garniture côté charnière.
- Réinstallez la pièce de garniture supérieure à l'aide de toutes les vis d'origine.

Tous les modèles

- Deux ensembles de trous se trouvent dans la garniture de porte côté poignée. Remplacez la garniture de porte en posant les vis d'origine dans les trous de vis **ARRIÈRE**.
- Fixez fermement la poignée à visière de l'ensemble ZKLN à la porte en utilisant les trous de vis **FRONTAUX**.
- Suivez la même procédure pour installer le panneau opposé.
- Assurez-vous que les poignées sont alignées uniformément les unes avec les autres dans le haut. Pour ajuster, desserrez les vis de poignée et glissez vers le haut ou le bas. Serrez les vis.



Instructions d'installation - Installation standard

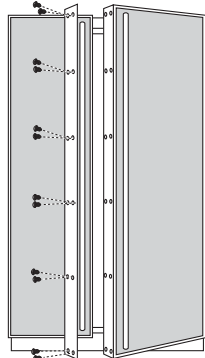
ÉTAPE 11A INSTALLER LES PANNEAUX DE RECOUVREMENT (suite)

Poignées personnalisées facultatives

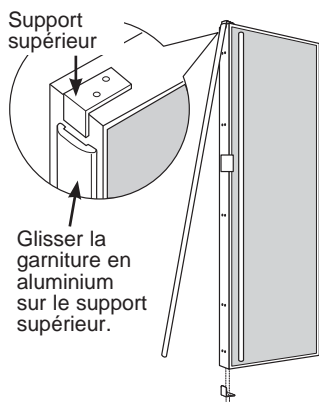
- Si vous utilisez des poignées personnalisées, la poignée doit être fixée correctement sur le panneau de recouvrement avant de glisser le panneau dans la garniture.
- Le fabricant d'armoires fournira la poignée personnalisée et la visserie.
- Réinstallez la garniture de porte côté poignée à l'aide des 6 vis à tête plate fournies, plus les 6 vis à tête plate d'origine de la garniture de porte côté poignée.
- Installez un support fourni dans le haut de la porte à l'aide d'un tournevis étoilé et des 2 vis fournies.

Serrez les vis des capuchons d'extrémité à la main. Ne serrez pas excessivement pour éviter les dommages.

- Nettoyez la garniture en aluminium avec de l'alcool à friction; n'utilisez pas d'alcool qui contient de l'huile ou de la lanoline car cela empêchera l'adhésion du ruban à double face.
- Glissez la garniture du couvercle en aluminium sur le support supérieur pour en vérifier l'adaptation. La garniture du couvercle en aluminium est dotée d'une fente à chaque extrémité qui adapte le support.

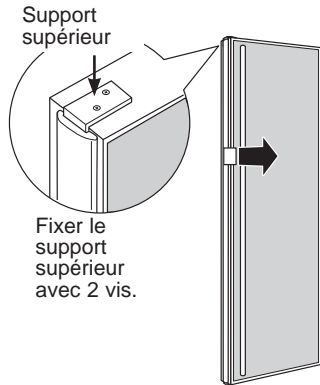


Poser toutes les vis d'origine



Support supérieur

Glisser la garniture en aluminium sur le support supérieur.



Support supérieur

Fixer le support supérieur avec 2 vis.

ÉTAPE 11A INSTALLER LES PANNEAUX DE RECOUVREMENT (suite)

- Enlevez la garniture. Retirez quelques centimètres de doublure de l'endos adhésif.
IMPORTANT : Le ruban est très collant et robuste. Une fois qu'il adhère à une surface, il ne peut être retiré sans endommager les deux surfaces. N'installez pas la garniture avant que les panneaux de bois finals ne soient en place. Assurez-vous d'aligner la garniture soigneusement avant de retirer le papier de l'endos.
- Placez avec soin la garniture de couvercle en aluminium sur le support supérieur de façon que le support se trouve à l'intérieur de la garniture de couvercle. Utilisez les sillons verticaux sur le côté de la poignée pour aligner la garniture de couvercle précisément. Alignez le support sur les trous de vis dans le haut de la porte.
- Tirez le ruban sur quelques pouces à la fois tout en pressant la garniture contre la porte. Maintenez la pression durant environ 10 secondes avant de continuer sur la longueur de la porte.
- Installez un autre support dans le bas de la porte pour fixer la garniture de couvercle. Utilisez un tournevis cruciforme et les 2 vis fournies.
REMARQUE : Assurez-vous de l'absence de jeu dans l'installation.
- Suivez la même procédure pour la porte opposée.

Instructions d'installation - Installation standard

ÉTAPE 12 RACCORDEMENT DE L'ALIMENTATION D'EAU

⚠ AVERTISSEMENT Raccordez l'appareil à une alimentation d'eau potable seulement. Une alimentation d'eau froide est requise pour faire fonctionner la machine à glaçons et le pichet à remplissage automatique. La pression d'eau doit se situer entre 40 et 120 psi. (275 à 827 kPa).

⚠ AVERTISSEMENT  RISQUE DE DÉCHARGE ÉLECTRIQUE
Fixez le collier de serrage dans le trou présent seulement. NE PERCEZ PAS dans le réfrigérateur.

- Repérez et acheminez le tuyau à l'avant de l'armoire.
- Ouvrez l'alimentation d'eau pour rincer les débris de la conduite. Faites couler environ un litre d'eau à travers le tuyau aboutissant dans un seau, puis fermez l'alimentation d'eau.

Tuyau de cuivre :

- Enfilez un écrou 1/4 po et une bague d'extrémité (fournis) aux deux bouts du tuyau de cuivre. Insérez le tuyau dans le raccord union sur l'appareil et serrez l'écrou sur le raccord union.
- Ouvrez l'alimentation d'eau pour vérifier l'absence de fuites.

Tuyau SmartConnect™ :

REMARQUE : Les seuls tuyaux en plastique approuvés par Monogram sont ceux inclus dans les trousse de tuyaux pour réfrigérateur SmartConnect™. N'utilisez pas d'autres tuyaux d'alimentation d'eau en plastique car ils seront sous pression constamment. D'autres types de plastique peuvent se fissurer ou se rompre avec le temps et occasionner des dégâts d'eau dans votre domicile.

Les trousse de tuyau pour réfrigérateur SmartConnect™ sont offertes dans les longueurs suivantes :

2 pi (0,6 m) WX08X10002

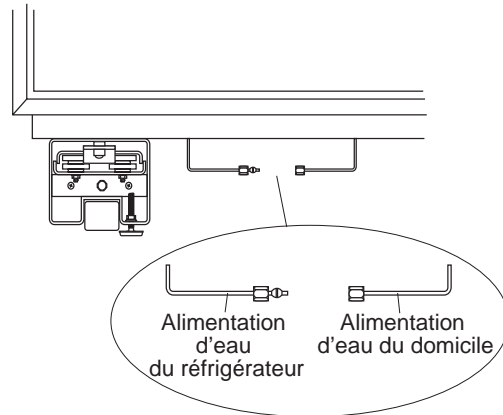
8 pi (2,4 m) WX08X10006

15 pi (4,6 m) WX08X10015

25 pi (7,6 m) WX08X10025

- Insérez l'extrémité moulée du tube dans le raccord du réfrigérateur. Serrez l'écrou à compression à la main.
- Serrez ensuite d'un tour supplémentaire avec une clé. Un serrage excessif peut causer des fuites!
- Ouvrez l'alimentation d'eau pour vérifier l'absence de fuites.
- Faites fonctionner le distributeur, si équipé, pendant 2 minutes ou pour obtenir 1 litre d'eau. La projection d'eau du distributeur est normale pendant la distribution des premières tasses.

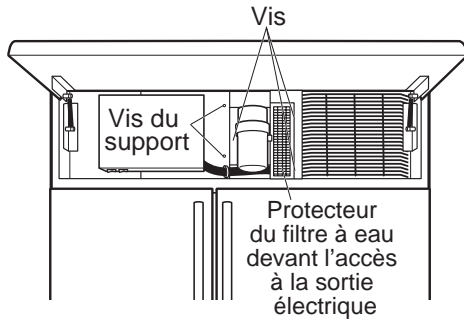
REMARQUE : Assurez-vous que la longueur de tuyau excédentaire ne gêne pas la fermeture du tiroir ou l'installation du coup-de-pied.



Instructions d'installation - Installation standard

ÉTAPE 13 BRANCHER L'ALIMENTATION ÉLECTRIQUE, FERMER LE PANNEAU DE GRILLE

- Ouvrez le panneau de grille.
- Branchez le cordon électrique (si nécessaire) se trouvant dans l'ouverture près du filtre à eau. Il faut enlever le protecteur du filtre à eau pour permettre l'accès (certains modèles). Retirez les 3 vis qui le fixent. Si l'accès est trop restreint, retirez les 2 qui fixent le support de filtre à eau et mettez-le de côté. Branchez le cordon électrique. Fixez le support et le protecteur à l'aide des vis d'origine.



- Assurez-vous que l'électricité alimente le réfrigérateur en ouvrant la porte pour voir si les lampes sont allumées.
- Les commandes de température sont préréglées à 37 °F (2,78 °C) pour le compartiment réfrigérateur et 0 °F (-17,78 °C) pour le congélateur.
- Allouez 24 heures pour stabiliser la température avant de faire des réglages.

ÉTAPE 14 DÉMARRER LA MACHINE À GLAÇONS

ATTENTION

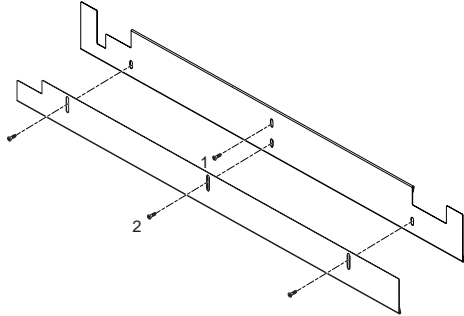
Afin de réduire le risque de blessure, évitez tout contact avec les pièces mobiles du mécanisme d'éjection ou l'élément chauffant qui libère les cubes. Ne placez pas les doigts ou les mains sur le mécanisme de production de glace automatique lorsque l'électroménager est branché dans la prise électrique.

- La machine à glaçons se mettra en marche lors du branchement de l'appareil.
- La machine à glaçons se mettra automatiquement en marche.
- Assurez-vous qu'aucun objet ne nuit au balayage du bras palpeur.
- Jetez le premier bac plein de glaçons.
- Pour éteindre la machine à glaçons, appuyez sur les touches - et + des commandes du réfrigérateur pendant 5 secondes. L'afficheur indiquera ICE OFF (machine à glaçons éteinte).
- Pour remettre la machine à glaçons en marche, appuyez sur les touches - et + des commandes du réfrigérateur pendant 5 secondes.

Instructions d'installation - Installation standard

ÉTAPE 15 INSTALLER LE COUP-DE-PIED

- Repérez les coups-de-pied fournis (fixés au côté du réfrigérateur à la livraison).
- L'ensemble de coup-de-pieds étroits sera utilisé pour l'installation standard.

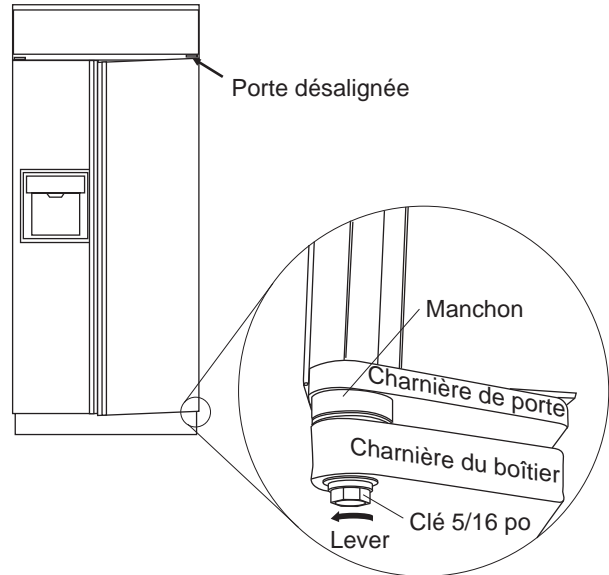


- Attachez le coup-de-pied le plus large au réfrigérateur en utilisant SEULEMENT le trou central supérieur (1).
- Attachez la jupe du coup-de-pied au réfrigérateur à l'aide des trois fentes inférieures (2).
- On peut installer un coup-de-pied personnalisé pour apparier ou compléter les armoires environnantes. Utilisez le coup-de-pied fourni comme gabarit pour découper la forme.

INSPECTER L'INSTALLATION FINALE

Vérifiez l'alignement de la porte. Tenez-vous à distance du réfrigérateur pour inspecter l'installation finale.

- Assurez-vous que les poignées sont alignées uniformément les unes avec les autres dans le haut. Pour ajuster, desserrez les vis de poignées et glissez vers le haut ou le bas. Serrez les vis.
- La livraison ou l'ajout de panneaux de portes lourds peut désaligner les portes légèrement.
- Si nécessaire, on peut ajuster la porte du réfrigérateur vers le haut ou le bas pour l'aligner avec la porte du congélateur.



- Utilisez une clé 5/16 po pour ajuster la tige de charnière comme illustré.

Instructions pour l'installation d'une insertion affleurante

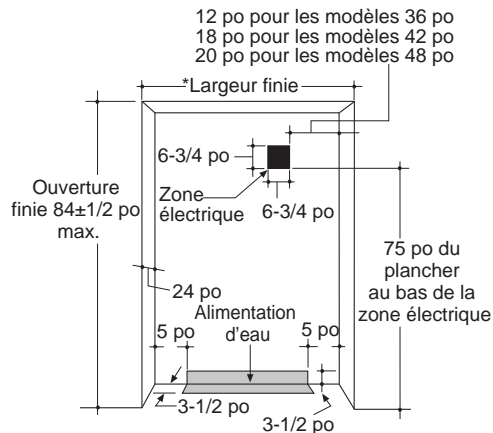
ENSEMBLE D'ENCADREMENT ZKFN REQUIS

L'ensemble d'encadrement comprend les instructions d'installation, les coup-de-pieds modifiés, l'assemblage de boîtier et d'autres composants requis.

Instructions pour une installation en acier inoxydable

Guide de conception – Installation en acier inoxydable

L'ESPACE D'INSTALLATION



* La largeur de l'ouverture finie doit être de
35-1/2" (90.17 cm) pour les modèles 36 po
41-1/2" (105.41 cm) pour les modèles 42 po
47-1/2" (120.65 cm) pour les modèles 48 po

Emplacements des alimentations d'eau et électrique

L'ouverture doit être préparée avec les alimentations électriques et d'eau froide situées selon l'illustration.

La profondeur de l'ouverture doit mesurer 24 po (60,96 cm)

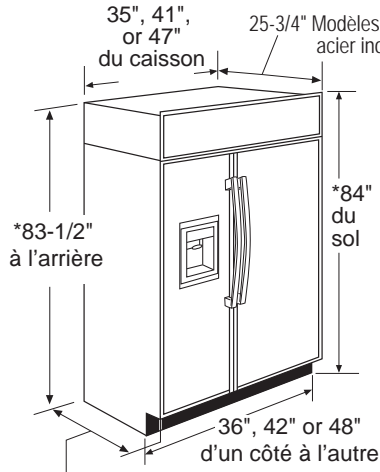
Le réfrigérateur se projettera vers l'avant, légèrement au-delà des armoires adjacentes, selon le type de votre installation.

Spécifications supplémentaires

- Une alimentation électrique de 115 volts, 60Hz, 15 ou 20 ampères est requise. Un circuit de dérivation ou un disjoncteur distinct correctement mis à la terre sont recommandés. Installez une prise électrique à trois alvéoles correctement mise à la terre encastrée dans le mur arrière. Le câblage électrique doit se situer sur le mur arrière comme illustré.
- La conduite d'eau peut pénétrer dans l'ouverture à travers le plancher ou le mur arrière. Acheminez la trousse SmartConnect™ ou un tuyau de cuivre de 1/4 po (D.E.) entre la conduite d'eau froide et le lieu du raccord d'eau. Le tuyau doit être suffisamment long pour atteindre le devant de l'appareil. L'installation d'un robinet de sectionnement aisément accessible est requise.

Guide de conception – Installation en acier inoxydable

DIMENSIONS ET DÉGAGEMENTS



* Hauteur à la livraison. On peut ajuster le réfrigérateur pour le placer dans une ouverture de 84-1/2" (214.63 cm) de hauteur. Utilisez les pieds de nivellement et les roulettes pour un ajustement en hauteur maximal de 1 po (2,54 cm).

Profondeur plus poignées :

- 27-7/8 po – Modèles en acier inoxydable avec poignée Minimalist en option (ZKSS2H2CNSS)
- 28-3/8 po Modèles en acier inoxydable avec poignée Statement en option (ZKSS2H2PNSS)

Dégagements du produit

Ces réfrigérateurs sont dotés d'une butée à 3 positions. L'ouverture de porte à 115° réglée à l'usine peut être ramenée à 90° si le dégagement aux armoires ou murs adjacents est restreint. Seule une installation standard peut se régler à 130°. Allouez des dégagements minimaux pour la porte congélateur (Dimension A) et la porte réfrigérateur (Dimension B) pour une ouverture de porte complète à 115° et permettre le retrait du plateau.

Dans le cas d'une ouverture de porte à 90°, allouez un dégagement minimal de 4 5/8 po (11,75 cm) jusqu'au mur s'il s'agit d'un modèle encadré ou en acier inoxydable. Si l'on utilise la position à 90°, l'accès au plateau est maintenu mais son retrait est restreint.

Voyez l'illustrations à la page 26 et 27 pour déterminer l'impact de l'ouverture de porte sur les armoires ou les comptoirs adjacents.

ZISS36 avec poignée Minimalist	A	B	C
90°	2-7/16 po (7.30 cm)	2-7/16 po (7.30 cm)	20-9/16 po (52.23 cm)
115°	8-1/8 po (15.72 cm)	9-3/4 po (20 cm)	20-9/16 po (52.23 cm)
130°	10-3/4 po (23.34 cm)	13-5/16 po (29.85 cm)	20-9/16 po (52.23 cm)

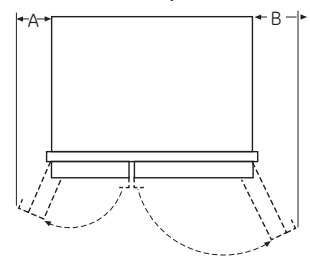
ZISS42 avec poignée Statement	A	B	C
90°	2-15/16 po (5.87 cm)	2-15/16 po (5.87 cm)	26-9/16 po (67.47 cm)
115°	8-9/16 po (21.75 cm)	12-3/4 po (32.39 cm)	26-9/16 po (67.47 cm)
130°	11-1/4 po (28.58 cm)	17-5/8 po (44.77 cm)	26-9/16 po (67.47 cm)

ZISS42 avec poignée Minimalist	A	B	C
90°	2-7/16 po (7.30 cm)	2-7/16 po (7.30 cm)	26-9/16 po (67.47 cm)
115°	8-3/16 po (21.27 cm)	12-3/8 po (31.43 cm)	26-9/16 po (67.47 cm)
130°	10-7/8 po (27.62 cm)	17-5/16 po (43.97 cm)	26-9/16 po (67.47 cm)

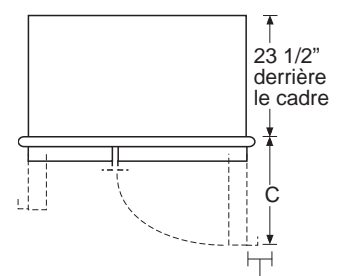
ZISS48 avec poignée Statement	A	B	C
90°	2-15/16 po (5.87 cm)	2-15/16 po (5.87 cm)	28-5/8 po (72.71 cm)
115°	10-1/4 po (20.04 cm)	13-9/16 po (34.45 cm)	28-5/8 po (72.71 cm)
130°	13-13/16 po (35.08 cm)	18-15/16 po (48.1 cm)	28-5/8 po (72.71 cm)

ZISS48 avec poignée Minimalist	A	B	C
90°	2-7/16 po (7.30 cm)	2-7/16 po (7.30 cm)	28-5/8 po (72.71 cm)
115°	9-7/8 po (25.08 cm)	13-3/16 po (34.50 cm)	28-5/8 po (72.71 cm)
130°	13-1/2 po (34.29 cm)	18-9/16 po (47.15 cm)	28-5/8 po (72.71 cm)

Ouverture de porte à 115°



Ouverture de porte à 90°



4" Distance min. au mur

*Modèles en acier inoxydable avec poignées Minimalist – 4-1/2 po avec poignées Statement – 4-5/8 po

Guide de conception – Installation en acier inoxydable

RENSEIGNEMENTS SUR LA PERSONNALISATION :

Réfrigérateurs enveloppés d'acier inoxydable

Ces réfrigérateurs sont dotés de portes, d'un panneau de grille, de bords biseautés et de poignées tubulaires en acier inoxydable qui s'agencent avec les autres électroménagers Monogram. Ces modèles sont prêts pour l'installation à la livraison. Ces modèles ne comprennent pas les poignées.



Statement Handle
ZKSS2H2PNSS



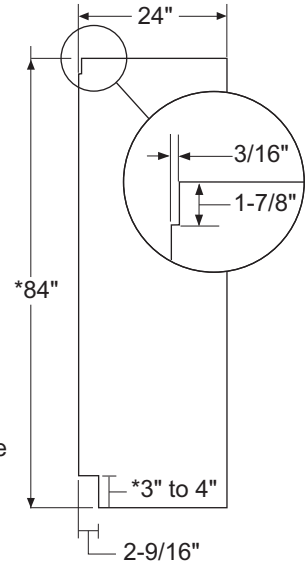
Minimalist Handle
ZKSS2H2CNSS

*Poignées en option – Lors de la commande de ce produit, assurez-vous d'utiliser le numéro de modèle associé à la poignée choisie.

PANNEAUX LATÉRAUX

On doit utiliser des panneaux latéraux si les côtés du réfrigérateur sont exposés. Les panneaux latéraux de 1/4 po (0,63 cm) vont glisser dans la garniture latérale de caisson. Attachez les panneaux sur le réfrigérateur à l'aide de ruban autoagrippant (velcro). Commandez les panneaux latéraux auprès du fabricant d'armoires.

• Découpez une encoche dans le coin supérieur avant comme illustré pour le dégagement des clavettes d'angle dans la garniture latérale avant.

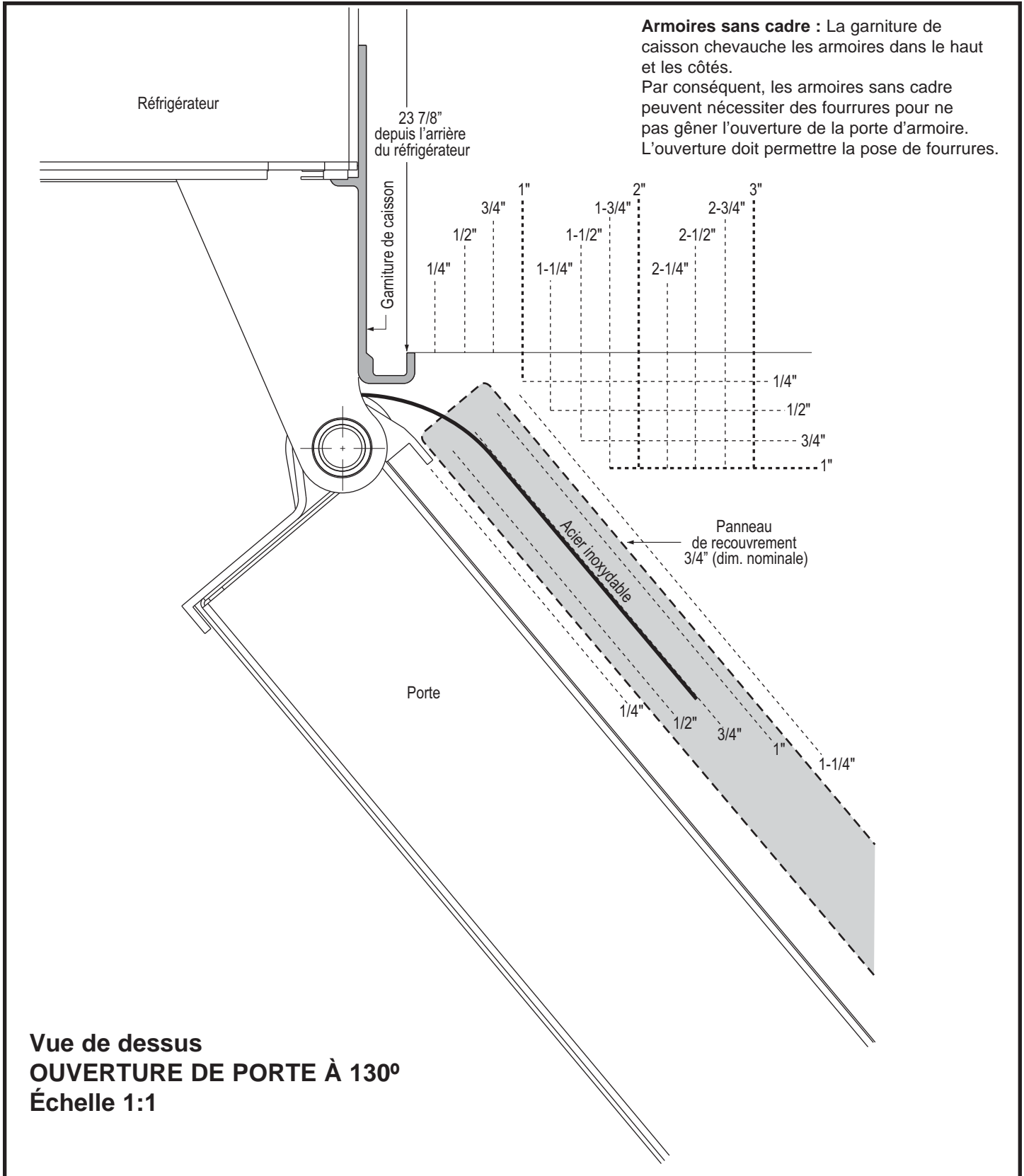


* Selon la hauteur de l'installation.

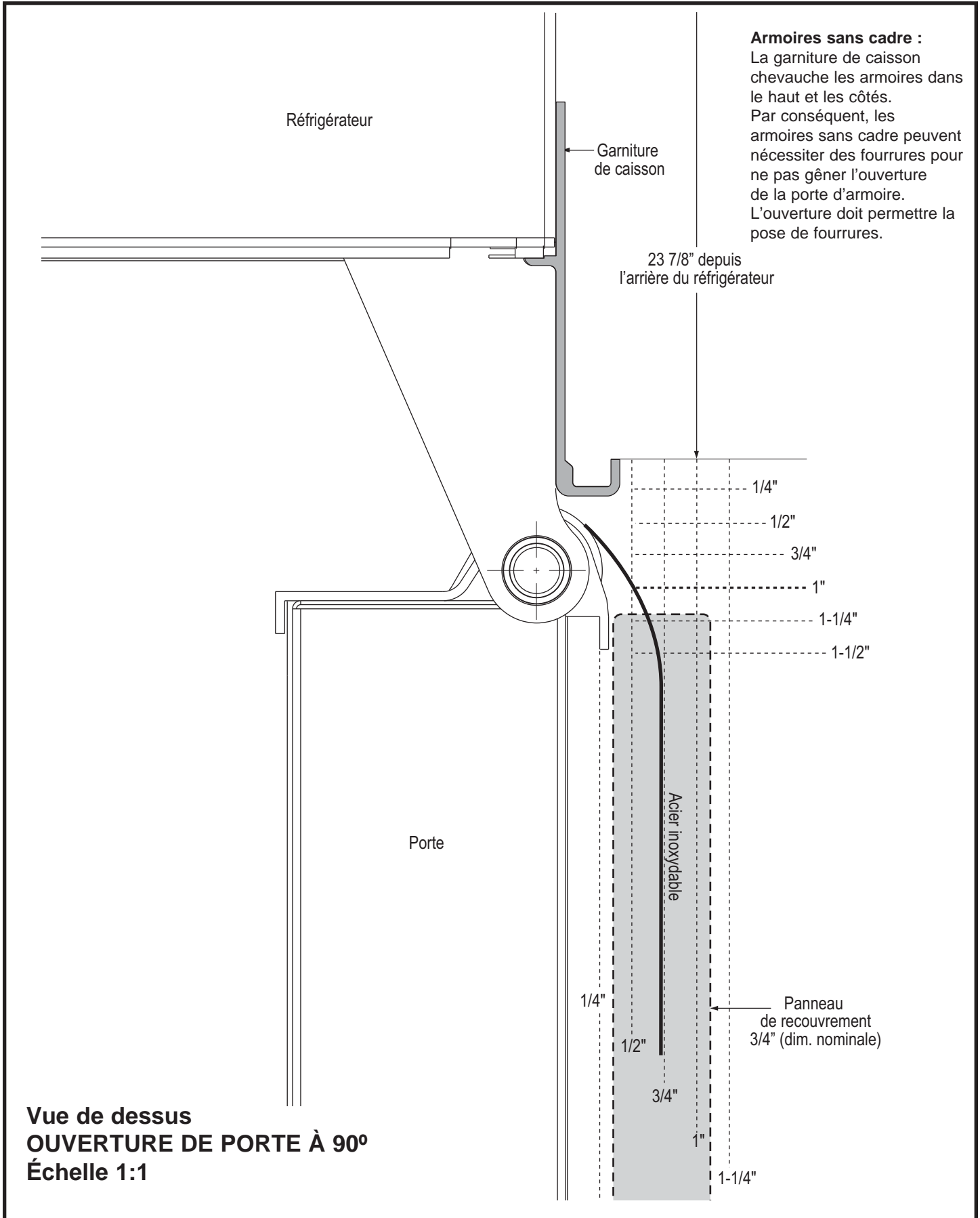
EMPLACEMENT DU RÉFRIGÉRATEUR

- N'installez pas le réfrigérateur à un endroit où la température peut descendre en dessous de 55 °F (13 °C). L'appareil ne fonctionnera pas suffisamment souvent pour maintenir les températures appropriées.
- N'installez pas le réfrigérateur/congélateur à un endroit où la température monter au-delà de 100 °F (37 °C). L'appareil ne fonctionnera pas correctement.
- N'installez pas le réfrigérateur dans un endroit exposé à l'eau (pluie, etc.) ou aux rayons directs du soleil.
- À cet endroit, le plancher doit pouvoir supporter le poids du réfrigérateur pleinement chargé.

Guide de conception – Installation en acier inoxydable



Guide de conception – Installation en acier inoxydable



Instructions d'installation - Installation en acier inoxydable

OUTILS ET MATÉRIAUX REQUIS

- Cisaille pour couper le cerclage
- Escabeau
- Rallonge de foret 1 po
- Ruban à mesurer
- Gants
- Vis autoforeuses 1/4 po
- Seau 5 gallons avec couvercle
- Niveau 6 po
- Diable pour électroménagers
- Coupe-tuyau
- Clé ouverte 7/16 po
- Tournevis à tête cruciforme no 2
- Perceuse et forets appropriés
- Douille 5/16, 7/16 po
- Lunettes de protection
- Clé ouverte 1 1/8 po
- Pince
- Clé à douille combinée 1/4, 5/16 po
- Support antibasculement 2x4, 35 po long
- Tuyau de cuivre 1/4 po pour conduite d'eau ou trousse SmartConnect™ pour réfrigérateur
- Robinet de sectionnement
- Vis pour fixer le réfrigérateur aux armoires
- Ruban autoagrippant adhésif pour panneaux latéraux 1/4 po

QUINCAILLERIE FOURNIE

- Bouchon de dérivation de filtre (sur certains modèles)
- Coup-de-pied
- 1/4" nut and ferrule

PLANCHER

Une installation correcte exige que le réfrigérateur soit placé sur la surface d'un matériau dur de niveau et de la même hauteur que le reste du plancher. Cette surface doit être suffisamment robuste pour supporter un réfrigérateur pleinement chargé, ou environ 1500 lb (680,39 kg).

REMARQUE : Protégez le fini du plancher. Découpez une grande section de carton et placez-la sous le réfrigérateur à l'endroit où vous travaillez.

MISE À LA TERRE DU RÉFRIGÉRATEUR

⚠ AVERTISSEMENT



Risque de choc électrique.

Le non-respect de ces instructions peut entraîner des risques d'incendies, des chocs électriques ou la mort.

Le cordon d'alimentation de cet appareil est équipé d'une fiche à trois broches (pour une mise à la terre) qui s'adapte à la prise de courant standard à 3 broches (pour une mise à la terre) pour minimiser les risques de chocs électriques par cet appareil.

Faites vérifier la prise murale et le circuit électrique par un électricien qualifié pour s'assurer que le système est correctement mis à la terre.

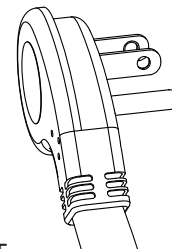
Dans le cas d'une prise biphasée, l'installateur a la responsabilité et l'obligation de la remplacer par une prise triphasée correctement mise à la terre.

MISE À LA TERRE DU RÉFRIGÉRATEUR (suite)

NE COUPEZ PAS OU N'ENLEVEZ PAS, SOUS AUCUN PRÉTEXTE, LA TROISIÈME BROCHE DE MISE À LA TERRE DU CORDON D'ALIMENTATION.

N'UTILISEZ PAS D'ADAPTATEUR POUR BRANCHER LE RÉFRIGÉRATEUR À UNE PRISE BIPHASÉE.

N'UTILISEZ PAS DE RALLONGE AVEC CET APPAREIL.



ÉTAPE 1 RETIRER L'EMBALLAGE

⚠ AVERTISSEMENT



Risque de

basculement Le réfrigérateur est beaucoup plus lourd en haut qu'en bas. Il faut être prudent lors des déplacements. Si un diable est utilisé, il faut soulever le réfrigérateur sur le côté seulement.

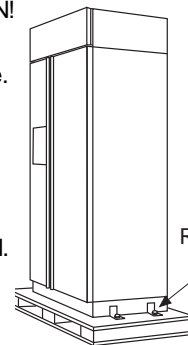
- Couper avec précaution le cerclage dans le haut et le bas, retirez le carton extérieur.
- Retirez les montants d'angle arrière (2) en les glissant.
- En le glissant, retirez le carton du haut de l'appareil.

REMARQUE : IL N'EST PAS NÉCESSAIRE DE DÉPOSER L'APPAREIL POUR RETIRER LE PATIN!

- L'appareil est fixé sur le patin à l'aide de 4 brides d'arrimage à fente. Retirez les six boulons 7/16 po des profilés de base dans les brides.
- Retirez les six boulons 7/16 po qui fixent les brides sur le patin.

REMARQUE : NE TENTEZ PAS DE ROULER L'APPAREIL HORS DU PATIN.

- Les blocs de support dans le bas du compartiment de réfrigération doivent être retirés avant que le réfrigérateur puisse être dégagé du patin, sinon il y a un risque d'endommagement. Penchez avec précaution le réfrigérateur et glissez les blocs vers l'extérieur depuis le dessous.
- Retirez le coup-de-pied et mettez-le de côté pour l'installation finale.
- Soulevez le réfrigérateur du patin à l'aide d'un diable pour électroménager. Manipulez depuis les côtés.



Retirer les attaches

ÉTAPE 2 DÉPLACER LE RÉFRIGÉRATEUR DANS LE DOMICILE

- Réutilisez les montants d'angle de l'emballage afin de protéger les modèles en acier inoxydable. Placez les sangles de chariot pour électroménager par-dessus les montants et sous les poignées.
- Laissez la pellicule protectrice sur le réfrigérateur tant que l'installation n'est pas terminée. **IMPORTANT :** Ne soulevez jamais le réfrigérateur par la poignée et ne le poussez pas contre le panneau de grille car cela pourrait causer des dommages ou désalignement.
- Évitez de déposer l'appareil sur sa face arrière ou ses côtés pour ne pas nuire à l'étanchéité du système.

Instructions d'installation - Installation en acier inoxydable

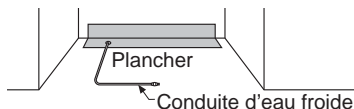
ÉTAPE 3 INSTALLER LA CONDUITE D'EAU

⚠ AVERTISSEMENT Raccordez l'appareil à une alimentation d'eau potable seulement. Une alimentation d'eau froide est requise pour faire fonctionner la machine à glaçons et le pichet à remplissage automatique. La pression d'eau doit se situer entre 40 et 120 psi. (275 à 827 kPa).

⚠ AVERTISSEMENT  RISQUE DE DÉCHARGE ÉLECTRIQUE

Fixez le collier de serrage dans le trou présent seulement. NE PERCEZ PAS dans le réfrigérateur.

- Une alimentation d'eau froide est requise pour faire fonctionner la machine à glaçons automatique. La pression d'eau doit se situer entre 40 et 120 psi (275 à 827 kPa).
- Acheminez le tuyau de cuivre 1/4 po (D.E.) ou le tuyau plastique SmartConnect™ entre la conduite d'eau froide du domicile et le raccord d'eau.



- Le tuyau doit être suffisamment long pour atteindre le devant de l'appareil. Prévoyez une longueur de tuyau suffisante pour la courbe menant au raccord de la conduite d'eau.

REMARQUE : Les seuls tuyaux en plastique approuvés par Monogram sont ceux inclus dans les trousse de tuyaux pour réfrigérateur SmartConnect™. N'utilisez pas d'autres tuyaux d'alimentation d'eau en plastique car ils seront sous pression constamment. D'autres types de plastique peuvent se fissurer ou se rompre avec le temps et occasionner des dégâts d'eau dans votre domicile.

Les trousse de tuyau pour réfrigérateur SmartConnect™ sont offertes dans les longueurs suivantes :

2' (.6 m)	WX08X10002	15' (4.6 m)	WX08X10015
8' (2.4 m)	WX08X10006	25' (7.6 m)	WX08X10025

Fermez l'alimentation d'eau principale.

Ouvrez le robinet le plus près suffisamment longtemps pour nettoyer la conduite d'eau.

- Installez un robinet de sectionnement entre le robinet d'eau de la machine à glaçons et le tuyau d'eau froide dans le sous-sol ou une armoire. Le robinet de sectionnement doit être situé à un endroit aisément accessible.
- Ouvrez l'alimentation d'eau principale et rincez les débris. Faites couler environ un litre d'eau à travers le tuyau aboutissant dans un seau. Coupez l'alimentation d'eau au robinet de sectionnement.

REMARQUE : Des robinet de sectionnement à étrier sont inclus dans plusieurs trousse d'alimentation d'eau, mais ils ne sont pas recommandés pour cette application.

REMARQUE : Les codes de plomberie 248CMR du Commonwealth du Massachusetts doivent être satisfaits. Les robinets à étrier sont illégaux et leur utilisation prohibée dans le Massachusetts. Consultez votre plombier agréé.

ÉTAPE 4 INSTALLATION DE LA CONDUITE D'EAU AVEC SYSTÈME D'OSMOSE INVERSE OU AUTRE SYSTÈME DE FILTRATION DOMESTIQUE

Passez cette étape si vous n'utilisez pas de système d'osmose inverse ou de système de filtration domestique.

Si l'alimentation en eau de votre réfrigérateur provient du système de filtration domestique, utilisez le bouchon de dérivation de filtre du réfrigérateur. L'utilisation de la cartouche de filtrage d'eau du réfrigérateur avec un système d'osmose inverse peut produire des glaçons creux.



Tourner dans le sens contraire des aiguilles pour retirer



Bouchon de dérivation de filtre

Pour obtenir un bouchon de dérivation sans frais, visitez monogram.com ou composez le 800.444.1845. Au Canada, visitez monogram.ca ou composez le 800.661.1616. Le bouchon de dérivation est installé de la même façon que le filtre en cartouche.

La machine à glaçons ne fonctionnera pas sans filtre ou bouchon de dérivation.

ÉTAPE 5 INSTALLER LES PANNEAUX LATÉRAUX

Sautez cette étape si vous n'utilisez pas de panneaux latéraux. Si vous utilisez des panneaux latéraux 1/4 po (0,63 cm), il faut les insérer dans la garniture de caisson. Fixez les panneaux sur le réfrigérateur à l'aide de ruban autoagrippant adhésif avant de mettre le réfrigérateur en place.

Instructions d'installation - Installation en acier inoxydable

ÉTAPE 6 DISPOSITIF ANTIBASCULEMENT

⚠ AVERTISSEMENT



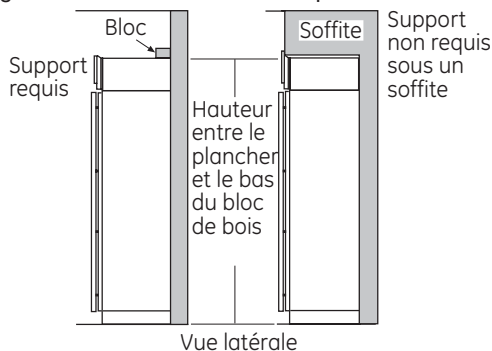
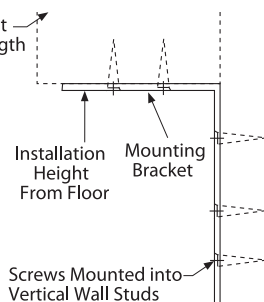
Risque de

basculement

Ces réfrigérateurs présentent une partie supérieure lourde, en particulier avec une porte ouverte; ils doivent donc être fixés pour prévenir le basculement vers l'avant et le risque concomitant de blessure grave ou fatale. Lisez et suivez les instructions d'installation complètes pour l'installation du système anti-basculement.

- Découpez un bloc de 2 x 4 po, 2 x 4 Cut sur 35 po (88,9 cm) de long et fixez le bloc sur les supports de montage fournis à l'aide de vis à bois nos12 ou 14.
- Fixez le support avec le bloc de bois sur le mur arrière de façon qu'il soit à 84 po (213,36 cm) du plancher fini. Utilisez des vis à bois nos12 ou 14. Voir l'illustration.
- Les vis doivent pénétrer les montants muraux sur au moins 1 pouce.
- En présence de montants métalliques, utilisez des vis à métal autotaraudeuses plutôt que des vis à bois.

IMPORTANT : Lorsque le réfrigérateur est installé en-dessous d'un soffite, ou si la hauteur n'est pas suffisante pour cette méthode de sécurité, on ne peut pas utiliser de supports. Allez à l'étape 7 pour mettre le réfrigérateur de niveau puis à l'étape 8 pour le fixer aux armoires. Voyez l'étape 8 en présence de montants muraux métalliques. Le réfrigérateur doit être fixé afin de prévenir le basculement.



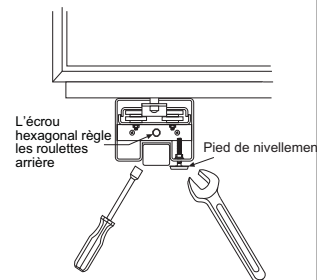
Brancher le cordon d'alimentation :

- Avant de pousser le réfrigérateur dans l'ouverture, branchez le cordon électrique dans la prise. Le protecteur de filtre à eau devra être enlevé pour permettre l'accès (certains modèles). Retirez les 3 vis qui le fixent en place. Si l'accès est trop restreint, retirez les 2 vis qui fixent le support de filtre à eau et mettez-le de côté. Ouvrez le panneau de grille et prenez le cordon électrique à l'arrière de l'ouverture. Tirez le cordon dans l'ouverture à mesure que vous repoussez le réfrigérateur. Fixez le support et le protecteur à l'aide des vis d'origine.
- Poussez avec soin le réfrigérateur dans l'ouverture avec les mains sur les coins frontaux.

ÉTAPE 7 METTRE LE RÉFRIGÉRATEUR DE NIVEAU

Tous les modèles sont dotés de 4 points de nivellement. Le devant est supporté par des pieds de nivellement; l'arrière par des roulettes réglables. Les deux types sont accessibles depuis le devant du réfrigérateur.

- Pour niveler l'arrière du réfrigérateur, tournez l'écrou hexagonal 7/16 po situé au dessus des roulettes avant. Tournez dans le sens des aiguilles pour lever l'appareil, dans le sens inverse pour le baisser.
- Pour niveler le devant, utilisez une clé ouverte 1 1/4 po (3,175 cm).
- Ajustez la hauteur du réfrigérateur pour l'adapter à l'ouverture de 84 1/2 po (214,63 cm). Le réfrigérateur doit être de niveau et aplombé aux armoires.

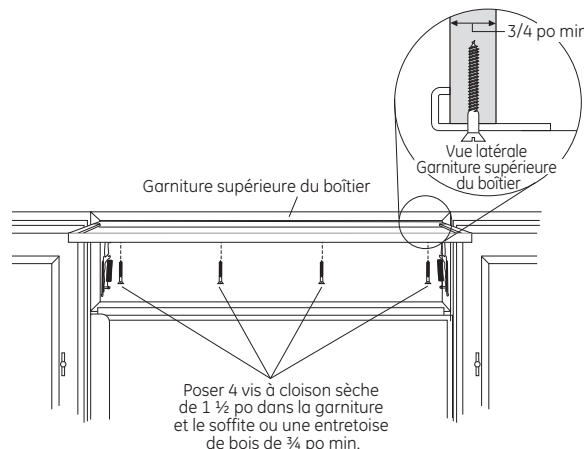


NOTICE: Les roulettes de nivellement arrière et les pieds de nivellement avant sont limités à une hauteur de réglage maximale de 1 po. Si l'installation exige une hauteur supérieure à 84 1/2 po, l'installateur doit surélever l'appareil sur une feuille de contreplaqué ou des rails. On peut aussi ajouter une garniture d'armoire dans le haut de l'ouverture pour raccourcir celle-ci. **Une tentative de lever le réfrigérateur de plus de 1 po (2,54 cm) endommagera les pieds de nivellement avant et les roulettes de nivellement arrière. Procédez aux ajustements graduellement.**

ÉTAPE 8 AUTRES DISPOSITIFS ANTIBASCULEMENT

Le réfrigérateur doit être fixé afin de prévenir le basculement.

- Soulevez le panneau de grille pour accéder à la garniture de caisson.

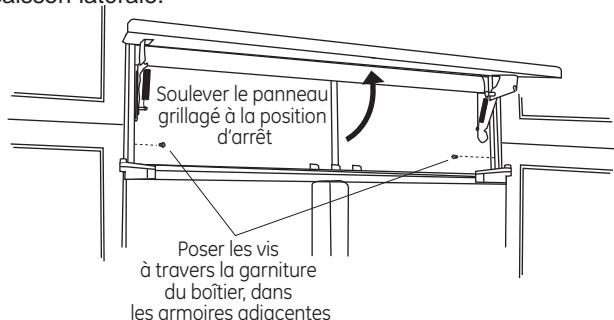


- Utilisez un foret 3/16 po pour percer quatre trous de dégagement uniformément espacés à travers la garniture de caisson supérieure.

Instructions d'installation - Installation en acier inoxydable

ÉTAPE 8 AUTRES DISPOSITIFS ANTIBASCULEMENT (suite)

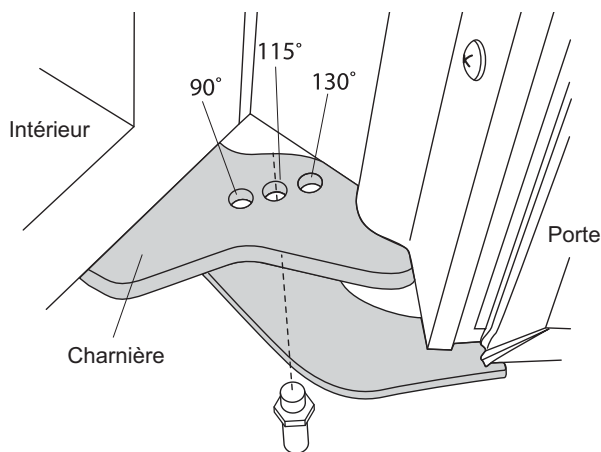
- Utilisez un foret 1/16 po pour percer des trous de guidage à travers les trous de dégagement métalliques, dans le soffite en bois. Les trous doivent être centrés dans le soffite ou un renfort en bois d'un minimum de 3/4 po. Le renfort sur la largeur de l'ouverture doit être fixé solidement dans les armoires des deux côtés.
- Posez quatre vis pour cloison sèche de 1 1/2 po (3,81 cm) dans les trous de guidage.
- En l'absence de soffite au dessus de l'appareil, vissez des vis dans les armoires adjacentes, à travers la garniture de caisson latérale.



ÉTAPE 9 AJUSTER L'OUVERTURE DE PORTE

REMARQUE : Ce réfrigérateur est doté d'une butée de porte à 3 positions. Lorsque l'espace est insuffisant pour une ouverture de porte complète à 115°, on peut ramener l'ouverture à 90°. Une ouverture à 130° est offerte pour l'installation standard seulement. **Sautez cette étape si l'ouverture de porte est satisfaisante pour votre installation.**

- Ouvrez la porte pour voir la charnière inférieure. Repérez les positions pour la tige de butée de porte. La tige est placée à 115° à l'usine.
- Fermez la porte. Depuis le dessous, utilisez une pince pour dévisser la butée de porte puis réinstallez à la position 130° ou 90°.



ÉTAPE 10 RACCORDEMENT DE L'ALIMENTATION D'EAU

⚠ AVERTISSEMENT Raccordez l'appareil à une alimentation d'eau potable seulement. Une alimentation d'eau froide est requise pour faire fonctionner la machine à glaçons et le pichet à remplissage automatique. La pression d'eau doit se situer entre 40 et 120 psi. (275 à 827 kPa).

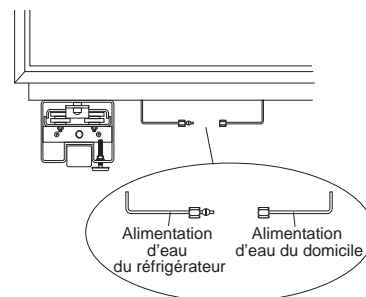
⚠ AVERTISSEMENT  RISQUE DE DÉCHARGE ÉLECTRIQUE

Fixez le collier de serrage dans le trou présent seulement. **NE PERCEZ PAS** dans le réfrigérateur.

- Repérez et acheminez le tuyau à l'avant de l'armoire.
- Ouvrez l'alimentation d'eau pour rincer les débris de la conduite. Faites couler environ un litre d'eau à travers le tuyau aboutissant dans un seau, puis fermez l'alimentation d'eau.

Tuyau de cuivre :

- Enfilez un écrou 1/4 po et une bague d'extrémité (fournis) aux deux bouts du tuyau de cuivre. Insérez le tuyau dans le raccord union sur l'appareil et serrez l'écrou sur le raccord union.



- Ouvrez l'alimentation d'eau pour vérifier l'absence de fuites.

Tuyau SmartConnect™ :

REMARQUE : Les seuls tuyaux en plastique approuvés par Monogram sont ceux inclus dans les trousse de tuyaux pour réfrigérateur SmartConnect™. N'utilisez pas d'autres tuyaux d'alimentation d'eau en plastique car ils seront sous pression constamment. D'autres types de plastique peuvent se fissurer ou se rompre avec le temps et occasionner des dégâts d'eau dans votre domicile.

Les trousse de tuyau pour réfrigérateur SmartConnect™ sont offertes dans les longueurs suivantes :

2' (.6 m)	WX08X10002
8' (2.4 m)	WX08X10006
15' (4.6 m)	WX08X10015
25' (7.6 m)	WX08X10025

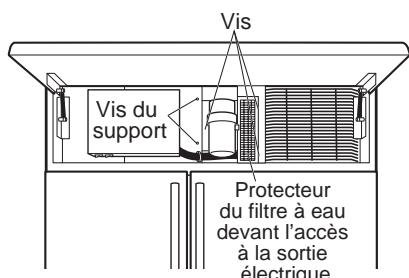
- Insérez l'extrémité moulée du tube dans le raccord du réfrigérateur. Serrez l'écrou à compression à la main.
- Serrez ensuite d'un tour supplémentaire avec une clé. Un serrage excessif peut causer des fuites!
- Ouvrez l'alimentation d'eau pour vérifier l'absence de fuites.
- Faites fonctionner le distributeur, si équipé, pendant 2 minutes ou pour obtenir 1 litre d'eau. La projection d'eau du distributeur est normale pendant la distribution des premières tasses.

REMARQUE : Assurez-vous que la longueur de tuyau excédentaire ne gêne pas la fermeture du tiroir ou l'installation du coup-de-pied.

Instructions d'installation - Installation en acier inoxydable

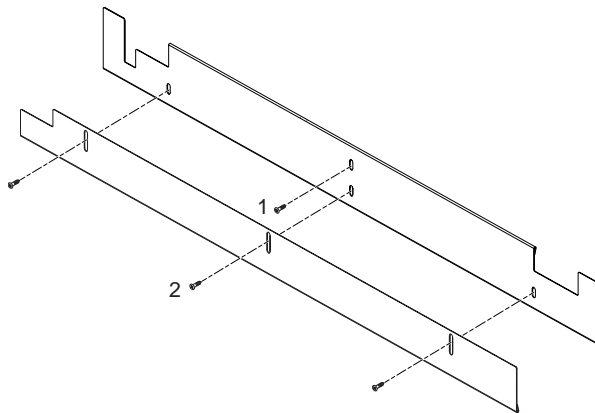
ÉTAPE 11 BRANCHER L'ALIMENTATION ÉLECTRIQUE, FERMER LE PANNEAU DE GRILLE

- Ouvrez le panneau de grille.
- Branchez le cordon électrique (si nécessaire) se trouvant dans l'ouverture près du filtre à eau. Il faut enlever le protecteur du filtre à eau pour permettre l'accès (certains modèles). Retirez les 3 vis qui le fixent. Si l'accès est trop restreint, retirez les 2 qui fixent le support de filtre à eau et mettez-le de côté. Branchez le cordon électrique. Fixez le support et le protecteur à l'aide des vis d'origine.
- La machine à glaçons commencera à fonctionner automatiquement. Assurez-vous que rien ne gêne le mouvement du bras palpeur.
- Jetez le premierseau plein de glaçons.
- Pour mettre la machine à glaçons hors tension, glissez l'interrupteur à la position O (OFF).



ÉTAPE 13 INSTALLER LE COUP-DE-PIED

- Repérez les coups-de-pied fournis (fixés au côté du réfrigérateur à la livraison).
- Attachez le coup-de-pied le plus large au réfrigérateur en utilisant SEULEMENT le trou central supérieur (1).
- Attachez la jupe du coup-de-pied au réfrigérateur à l'aide des trois fentes inférieures (2).



- On peut installer un coup-de-pied personnalisé pour appairer ou compléter les armoires environnantes. Utilisez le coup-de-pied fourni comme gabarit pour découper la forme.

ÉTAPE 12 DÉMARRER LA MACHINE À GLAÇONS

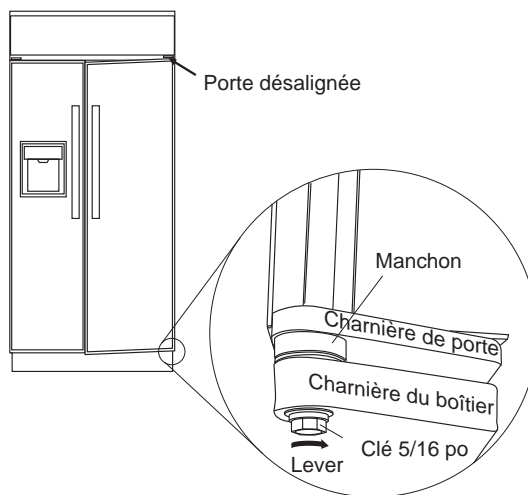
ATTENTION Afin de réduire le risque de blessure, évitez tout contact avec les pièces mobiles du mécanisme d'éjection ou l'élément chauffant qui libère les cubes. Ne placez pas les doigts ou les mains sur le mécanisme de production de glace automatique lorsque l'électroménager est branché dans la prise électrique.

- La machine à glaçons se mettra en marche lors du branchement de l'appareil.
- La machine à glaçons se mettra automatiquement en marche.
- Assurez-vous qu'aucun objet ne nuit au balayage du bras palpeur.
- Jetez le premier bac plein de glaçons.
- Pour éteindre la machine à glaçons, appuyez sur les touches - et + des commandes du réfrigérateur pendant 5 secondes. L'afficheur indiquera ICE OFF (machine à glaçons éteinte).
- Pour remettre la machine à glaçons en marche, appuyez sur les touches - et + des commandes du réfrigérateur pendant 5 secondes.

INSPECTER L'INSTALLATION FINALE

Vérifiez l'alignement de la porte. Tenez-vous à distance du réfrigérateur pour inspecter l'installation finale.

- Assurez-vous que les poignées sont alignées uniformément les unes avec les autres dans le haut. Pour ajuster, desserrez les vis de poignées et glissez vers le haut ou le bas. Serrez les vis.
- La livraison ou l'ajout de panneaux de portes lourds peut désaligner les portes légèrement.



- Si nécessaire, on peut ajuster la porte du réfrigérateur vers le haut ou le bas pour l'aligner avec la porte du congélateur.
- Utilisez une clé 5/16 po pour ajuster la tige de charnière comme illustré.

Notes

REMARQUE : Veuillez porter des lunettes de protection en procédant aux installations décrites dans ce manuel.

REMARQUE : L'amélioration des produits constitue un effort constant chez Monogram. Par conséquent, les matières, l'apparence et les caractéristiques techniques sont sujettes à modification sans préavis.





INSTRUCCIONES DE INSTALACIÓN

**Refrigeradores Lado a Lado
con Guía de Diseño**

ESPAÑOL.

MONOGRAM.COM

Información sobre Seguridad

ANTES DE COMENZAR

Lea estas instrucciones en su totalidad y atentamente.

- **IMPORTANTE** – Conserve estas instrucciones para uso del inspector local. Cumpla con todos los códigos y ordenanzas gubernamentales.
- **Nota para el Instalador** – Asegúrese de entregarle estas instrucciones al Comprador.
- **Nota para el Consumidor** – Guarde estas instrucciones con su Manual del Propietario para referencia futura.

Si la unidad que recibió está dañada, se deberá comunicar de inmediato con su vendedor o fabricante.

Nivel de habilidad – La instalación de esta unidad requiere un nivel básico de habilidades mecánicas, de carpintería y plomería. La correcta instalación del producto es responsabilidad del instalador. Si se producen fallas en el producto debido a una instalación inadecuada, la Garantía de Monogram no cubrirá las mismas. Para obtener información sobre la garantía, consulte el Manual del Propietario.

⚠ ADVERTENCIA **Riesgo de Descarga Eléctrica**

Enchufe en un tomacorriente con conexión a tierra de 3 cables.

No elimine el cable de conexión a tierra.

No use un adaptador.

Inmediatamente interrumpa el uso de un cable de suministro de corriente dañado. Si el cable de corriente se encuentra dañado, su reemplazo deberá ser realizado por un profesional calificado del servicio técnico, utilizando una pieza del servicio técnico autorizada por el fabricante.

No use prolongadores con este electrodoméstico.

Si no se siguen estas instrucciones, se podrá producir la muerte, incendios o descargas eléctricas.

Siga las instrucciones que figuran en la sección de Conexión de Tierra de la unidad.

Este electrodoméstico deberá ser instalado por algún medio en el cableado fijo del hogar o en un disyuntor para desconectar el electrodoméstico del suministro eléctrico luego de la instalación.

⚠ ADVERTENCIA **Riesgo de Caídas**

Estos electrodomésticos son inestables, especialmente cuando una puerta se encuentre abierta, y deben estar asegurados a fin de evitar caídas hacia adelante que podrían resultar en la muerte o en lesiones graves. Lea y siga las instrucciones de instalación en su totalidad para asegurar el electrodoméstico con el sistema anti volcaduras.

⚠ ADVERTENCIA **Peligro de Incendio o Explosión**

Mantenga cualquier material y vapores inflamables alejados del electrodoméstico. Si no se cumple con esto, se podrá producir una explosión, un incendio o la muerte.

⚠ ADVERTENCIA A fin de reducir el riesgo asociado con descargas, no permita que los niños menores de 3 años de edad tengan acceso a las partes pequeñas durante la instalación de este producto.

⚠ PRECAUCIÓN **Riesgo al levantar la puerta**

Este refrigerador es muy pesado. A fin de reducir el riesgo de lesiones personales durante la maniobra e instalación de este refrigerador, se requiere contar con 3 personas para una correcta instalación del modelo de 36" de ancho y con 4 personas para una correcta instalación del modelo de 42" o 48".

⚠ PRECAUCIÓN Mantenga los dedos fuera de los espacios de "riesgo de lastimaduras"; los espacios entre las puertas y entre las puertas y el gabinete son necesariamente pequeños. Tenga el cuidado de cerrar las puertas cuando se encuentren niños en el área.

Para acceder al servicio local de Monogram en su área, visite monogram.com o 800.444.1845.

Para acceder al servicio de Monogram en Canadá, visite monogram.ca o 800.561.3344.

Para acceder a Piezas y Accesorios de Monogram, visite monogram.com/use-and-care/parts o 800.444.1845. En Canadá, 800.661.1616.

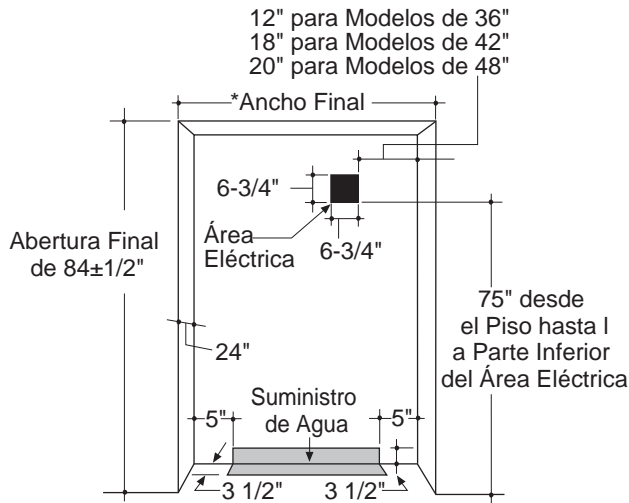
Contenidos

Seguridad	2	Instrucciones para una Instalación con Montaje Nivelado	23
Instrucciones para la Instalación Estándar	4	Instrucciones para la Instalación de Acero Inoxidable	24
Guía de Planificación		Guía de Planificación	
El Espacio de Instalación	5	El Espacio de Instalación	25
Dimensiones y Espacios Libres	6	Dimensiones y Espacios Libres	26
Instrucciones Básicas de Personalización	7	Instrucciones Básicas de Personalización	27
Paneles Laterales	7	Paneles Laterales	27
Ubicación del Refrigerador	7	Ubicación del Refrigerador	27
Optional Accessory Kits	7	Giro de puerta de 130°	28
Dimensiones del Panel con Marco de 1/4"	8	Giro de puerta de 90°	29
Dimensiones del Panel Revestido de 3/4"	9		
Giro de puerta de 130°	10	Instrucciones de Instalación	
Giro de puerta de 90°	11	Herramientas y Materiales Necesarios	30
Marco del Dispensador	12	Conexión a Tierra de la Unidad	30
Instrucciones de Instalación		Paso 1. Retire el Embalaje	30
Herramientas y Materiales Necesarios	12	Paso 2. Transporte el Refrigerador a su Hogar	31
Conexión a Tierra de la Unidad	13	Paso 3. Instale la Tubería de Agua	31
Paso 1. Retire el Embalaje	13	Paso 4. Instalación con el Sistema de Filtrado de Agua	31
Paso 2. Transporte el Refrigerador a su Hogar	13	Paso 5. Instale los Paneles Laterales	31
Paso 3. Instale la Tubería de Agua	13	Paso 6. Procedimiento Anti Volcaduras	32
Paso 4. Instalación del Sistema de Filtrado	14	Paso 7. Nivele el Refrigerador	32
Paso 5. Instale los Paneles Laterales	14	Paso 8. Procedimiento Anti Volcaduras Alternativo	32
Paso 6. Procedimientos Anti Volcaduras	14	Paso 9. Ajuste el Giro de la Puerta	33
Paso 7. Nivele el Refrigerador	15	Paso 10. Conecte el Suministro de Agua	33
Paso 8. Procedimiento Anti Volcaduras Alternativo	15	Paso 11. Conecte la Corriente, Cierre el Panel con Rejilla	34
Paso 9. Ajuste el Giro de la Puerta	16	Paso 12. Inicie la Máquina de Hielo	34
Paso 10. Instale el Panel con Rejilla	16	Paso 13. Instale el Zócalo	34
Paso 11. Instale los Paneles con Marco de 1/4"	17	Inspeccione la Instalación Final	34
Paso 11A. Instale los Paneles Revestidos	18		
Paso 12. Conecte el Suministro de Agua	20		
Paso 13. Conecte la Corriente, Cierre el Panel con Rejilla	21		
Paso 14. Encienda la Máquina de Hielo	21		
Paso 15. Instale el Zócalo	22		
Inspeccione la Instalación Final	22		

Instrucciones para la Instalación Estándar

Guía de Diseño – Instalación Estándar

EL ESPACIO DE INSTALACIÓN



* El ancho del espacio libre final deberá ser de:
35 1/2" (90.17 cm) para modelos de 36"
41 1/2" (105.41 cm) para modelos de 42"
47 1/2" (120.65 cm) para modelos de 48"

Ubicaciones de Agua y Electricidad

La abertura deberá estar preparada con el suministro de electricidad y de agua ubicados como se muestra.

La Profundidad del Espacio Libre Deberá Ser de un Mínimo de 24" (60.96 cm)

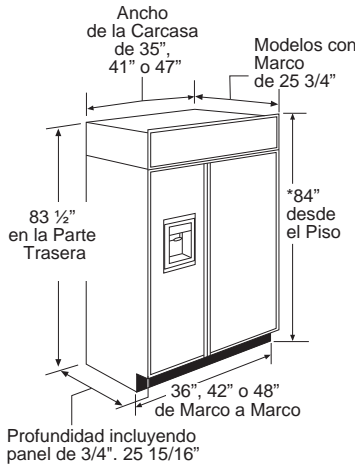
El refrigerador se proyectará hacia adelante, levemente más allá del gabinete adyacente para la instalación estándar.

Especificaciones adicionales

- Se requiere un suministro de corriente de 115 voltios, 60Hz., y 15 o 20 amperes. Se recomienda el uso de un circuito individual derivado o un disyuntor correctamente conectado a tierra. Instale un receptáculo eléctrico de 3 patas correctamente conectado a tierra en la pared trasera. El receptáculo eléctrico deberá estar ubicado en la pared trasera como se muestra.
- El suministro de agua puede ingresar a la abertura a través del piso o la pared trasera. Haga circular el kit de SmartConnect™ o una tubería de cobre con un diámetro externo de 1/4" entre la tubería de agua fría y la ubicación de la conexión de agua. La tubería deberá poseer una extensión suficiente como para llegar hasta el frente del refrigerador. Se requiere la instalación de una válvula de cierre fácilmente accesible en la tubería de agua.

Guía de Diseño – Instalación Estándar

DIMENSIONES Y ESPACIOS LIBRES



*Altura del embalaje. El refrigerador puede ser ajustado para hacerlo caber en un espacio libre de 84 1/2" (214.63 cm) de altura. Use las patas niveladoras y las ruedas para un ajuste de altura máxima de 1" (2.54 cm).

Espacios Libres del Producto

Estos refrigeradores están equipados con un dispositivo de detención de la puerta de 3 posiciones. El giro de puerta configurado de fábrica de 115° podrá ser ajustado a 130°, o a 90° en los modelos con paneles, o a 90° en los modelos de acero inoxidable si el espacio libre adyacente a los gabinetes o las paredes se encuentra restringido.

Modelos con Paneles Únicamente: Deje un espacio libre mínimo para la puerta del freezer (Dimensión A) y para la puerta de comidas frescas (Dimensión B) para un giro de puerta de 130° y para permitir el retiro de la bandeja.

Para un giro de puerta de 90°, deje un espacio libre mínimo de 4 9/16" (11.59 cm) hasta una pared. Si se usa la detención de puerta en 90°, se mantendrá el acceso a las bandejas pero su retiro estará restringido.

Consulte la ilustración en la página 10 y 11 para determinar la interacción del giro de la puerta con los gabinetes o mesadas adyacentes.

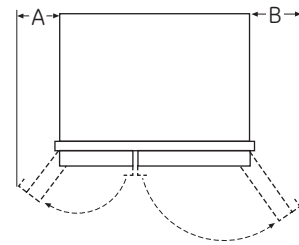
Dimensiones basadas en manijas a medida de una altura de 2 9/16" (6.51 cm).

ZISB36	A	B	C
90°	4-9/16" (11.59 cm)	4-9/16" (11.59 cm)	20-5/8" (52.23 cm)
130°	13" (33.02 cm)	15" (38.1 cm)	20-5/8" (52.23 cm)

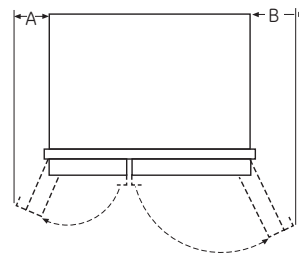
ZIS420 ZISB42	A	B	C
90°	4-9/16" (11.59 cm)	4-9/16" (11.59 cm)	26-5/8" (67.47 cm)
130°	13" (33.02 cm)	19" (48.26 cm)	26-5/8" (67.47 cm)

ZIS480 ZISB48	A	B	C
90°	4-9/16" (11.59 cm)	4-9/16" (11.59 cm)	28-5/8" (72.71 cm)
130°	15" (38.1 cm)	20" (52.23 cm)	28-5/8" (72.71 cm)

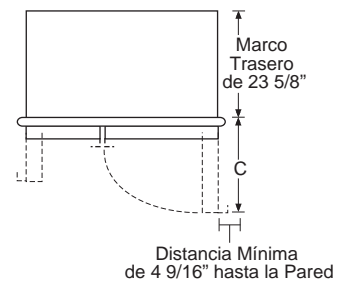
Giro de Puerta de 130°
(Modelos con Paneles Únicamente)



Giro de puerta de 115°



Giro de puerta de 90°



Guía de Diseño – Instalación Estándar

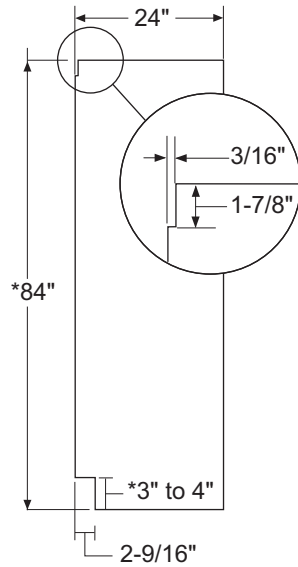
INSTRUCCIONES BÁSICAS DE PERSONALIZACIÓN:

Estos refrigeradores fueron diseñados para la personalización con paneles decorativos. Se requiere una puerta a medida y paneles con rejilla para instalación en el espacio.

PANELES LATERALES

Los paneles laterales deberán ser usados siempre que los laterales del refrigerador queden expuestos. Los paneles laterales de ¼" (0.63 cm) se deslizarán por el marco de la carcasa lateral. Asegure los paneles al refrigerador con cinta de sujeción de vecro. Ordene los paneles laterales al fabricante de gabinetes.

- Haga un agujero en la esquina frontal derecha como se muestra, a fin de dejar espacio para las teclas de la esquina frente al marco lateral.



* Dependiendo de la altura de la instalación.

UBICACIÓN DEL REFRIGERADOR

- No instale el refrigerador en lugares donde la temperatura sea inferior a los 55°F (13°C). Éste no funcionará con la frecuencia suficiente como para mantener las temperaturas apropiadas.
- No instale el refrigerador en lugares donde la temperatura sea superior a los 100°F (37°C). Éste no funcionará correctamente.
- No instale el refrigerador en una ubicación expuesta al agua (lluvia, etc.) o en contacto directo con la luz solar.
- Instale el mismo en un piso lo suficientemente fuerte como para soportarlo completamente cargado (Aproximadamente 1500 libras).

KITS DE ACCESORIOS OPCIONALES

ZKLN: Kit de la manija con visor para uso en modelos de paneles a medida en una instalación estándar.

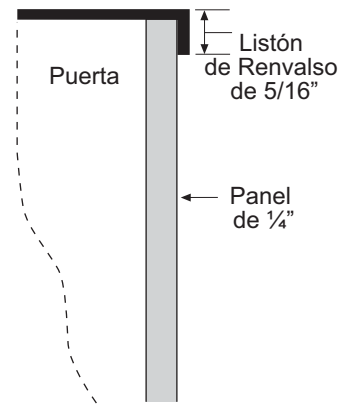
Guía de Diseño – Instalación Estándar

DIMENSIONES DEL PANEL A MEDIDA DE 1/4" (0.63 cm)

Si decide instalar paneles a medida, se deberán cortar en las dimensiones que se muestran. Los paneles se deslizarán en el marco en la parte de la puerta, el cajón y la rejilla.

Modelos sin Dispensador

Si el grosor del panel con marco es menor a 1/4" (0.63 cm) y si queda suelto en el marco de la puerta, podrá ser afirmado con una pieza de material de relleno o con cinta de gomaespuma para mejorar su posicionamiento.



NOTA IMPORTANTE: Peso máximo total del panel:

- Panel de la puerta de comidas frescas – 75 libras.(34.0 kg)
- Panel de la Puerta del Freezer – 53 libras. (24.0 kg)
- Panel de Rejilla– 18 libras. (8.16 kg)

NOTA IMPORTANTE – MODELOS CON DISPENSADOR

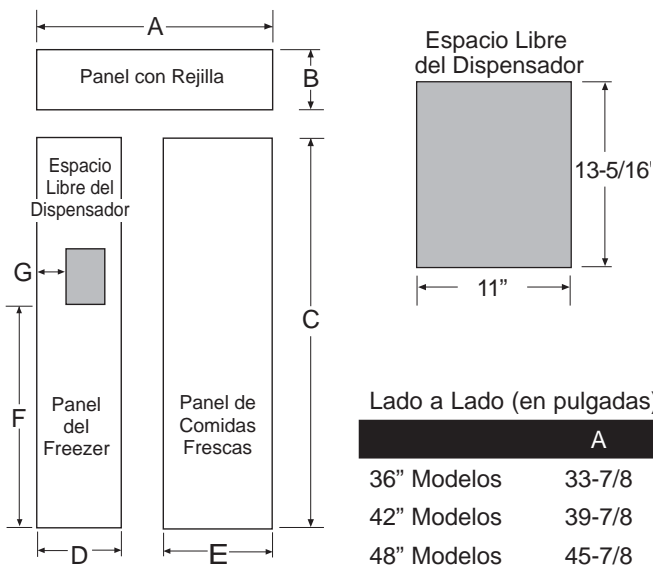
El refrigerador se suministra con dos marcos para el dispensador, uno para paneles con marco y otro para paneles revestidos.

- Si el grosor del panel es inferior a 0.250" (0.63 cm), se podrá crear una brecha notoria alrededor del marco del dispensador.

Se podrá aplicar cinta de gomaespuma sobre la puerta para mejorar el nivel de ajuste.

- Si el grosor del panel es superior a 0.250" (0.63 cm), el marco del dispensador no podrá quedar asegurado a la puerta.

Consulte el Ejemplo de Ajuste del Marco del Dispensador en la página 12.



El panel con marco deberá poseer un grosor nominal de 1/4" (0.63 cm) para ajustarse al marco del dispensador.

Lado a Lado (en pulgadas)

	Lado a Lado (en pulgadas)					Posición del Espacio Libre del Dispensador	
	A	B	C	D	E	F	G
36" Modelos	33-7/8	9	68-3/8	14-9/16	18-9/16	34-3/16	1-7/8
42" Modelos	39-7/8	9-1/2	68-3/8	14-9/16	24-9/16	34-3/16	1-7/8
48" Modelos	45-7/8	9-1/2	68-3/8	18-9/16	26-9/16	34-3/16	3-7/8

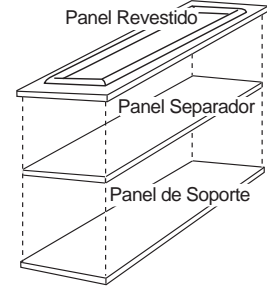
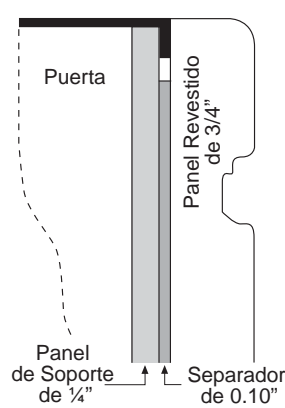
Guía de Diseño – Instalación Estándar

DIMENSIONES DEL PANEL REVESTIDO DE 3/4"

Para un aspecto más personalizado, los paneles revestidos podrán ser instalados en modelos con marco. El panel revestido deberá ser asegurado sobre un panel de soporte de un grosor de 1/4" (0.63 cm), que se deslice sobre el marco. Se deberá colocar un panel separador de un grosor de 0.10" (0.25 cm) entre el panel revestido y el panel de soporte.

Ensamble los paneles con pegamento y tornillos.

- Centre el panel separador sobre el panel de soporte, de izquierda a derecha y de arriba hacia abajo. Asegure los paneles con pegamento.
- Centre el panel separador y el panel de soporte sobre el panel revestido y asegure los mismos con pegamento y tornillos. Los tornillos deberán ser encastrados en el panel de soporte.



NOTA: El ajuste de izquierda a derecha no siempre es igual al ajuste de arriba hasta abajo.

$$.250'' + .10'' + .750'' = 1.100'' \text{ Grosor Total del Panel}$$

$$0.63 + 0.25 + 1.91 = 2.79 \text{ cm}$$

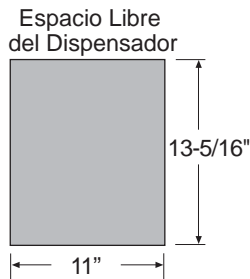
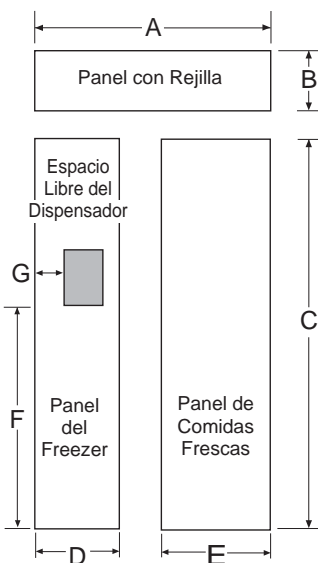
NOTA IMPORTANTE – MODELOS CON DISPENSADOR

El refrigerador se suministra con dos marcos para el dispensador, uno para paneles con marco y otro para paneles revestidos. El marco del dispensador revestido fue diseñado para ajustarse al grosor total de un panel de 1.100".

- Si el grosor del panel es inferior a 1.100" (2.79 cm), se podrá crear una brecha notoria alrededor del marco del dispensador.
- Si el grosor del panel es superior a 1.100" (2.79 cm), el marco del dispensador no podrá quedar asegurado a la puerta.

Consulte el Ejemplo de Ajuste del Marco del Dispensador en la página 11.

- El panel revestido deberá ser construido de acuerdo con las especificaciones mostradas, a fin de lograr el grosor total adecuado.
- No se podrán usar métodos de construcción de paneles alternativos tales como asegurar un panel de 3/4" (1.91 cm) a un panel de soporte de 1/4" (0.63 cm). Otro método que no se podrá usar es conducir un panel de un grosor de 3/4" (1.91 cm) a través de todos los lados. Estos métodos no funcionarán para lograr un grosor del panel requerido de 1.100" (2.79 cm).



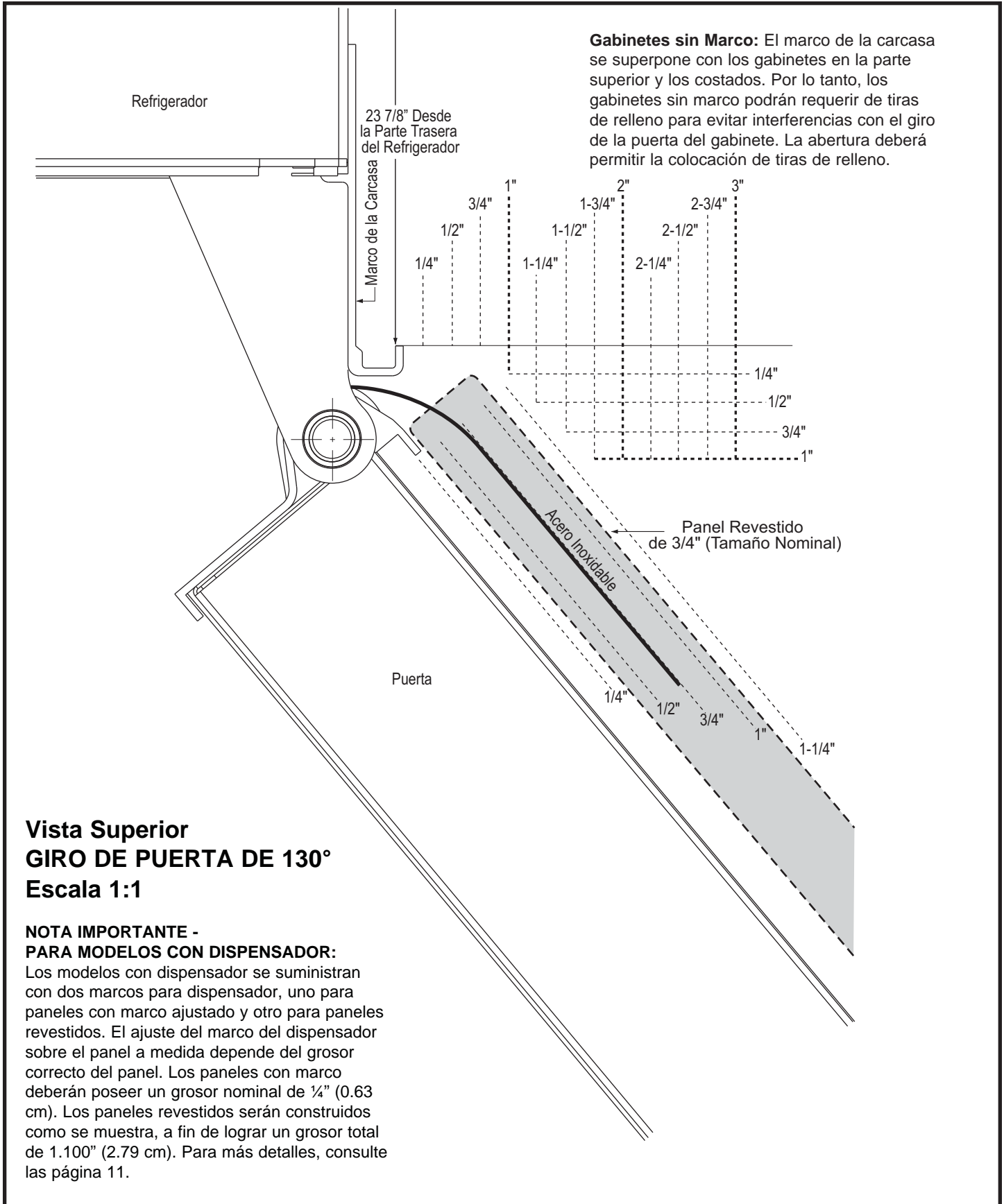
*Corte la abertura del dispensador luego de haber ensamblado los paneles de soporte, espaciado y revestido.

IMPORTANT NOTE: Maximum total weight for the assembled panels:

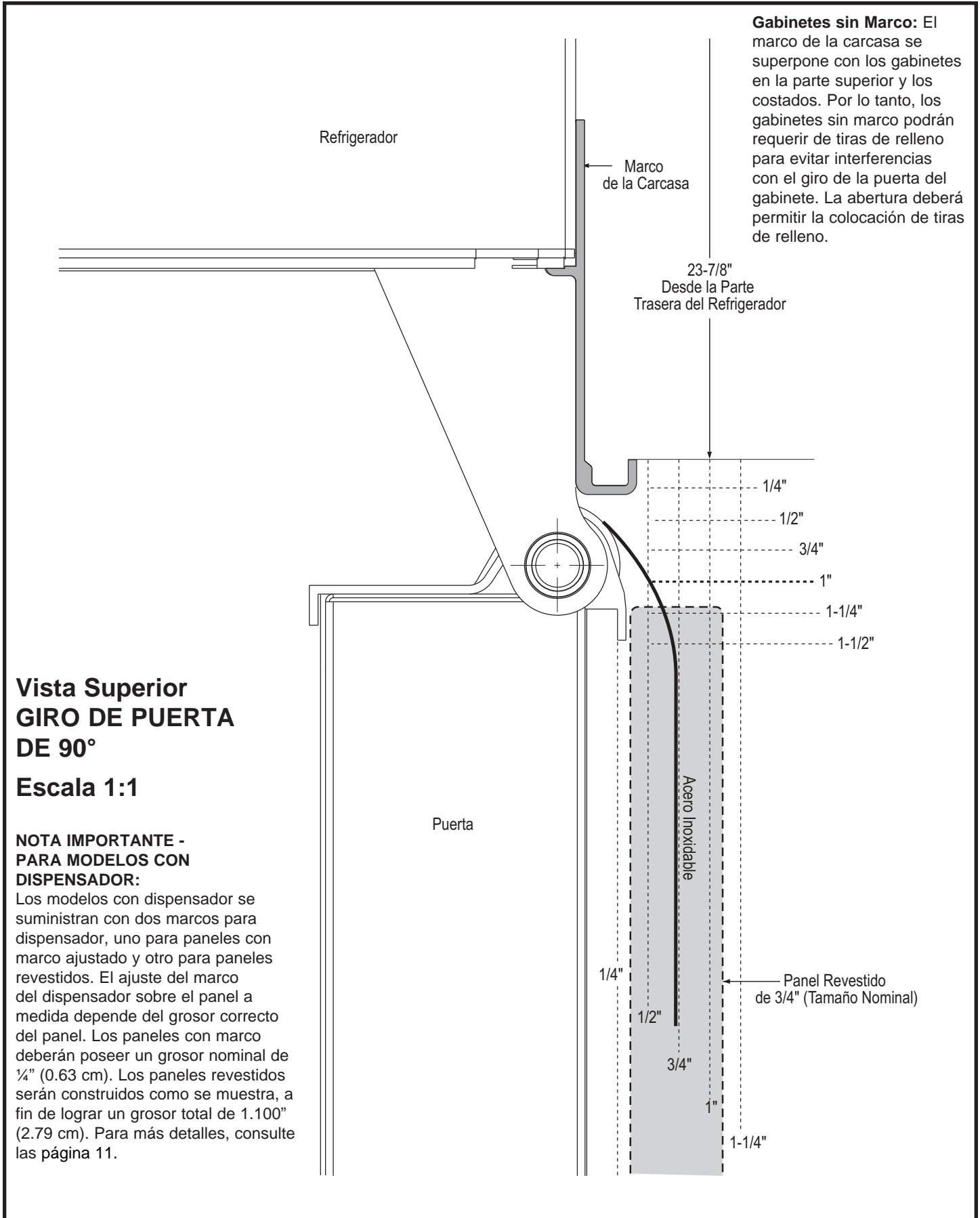
- Fresh food door panel – 75 lbs. (34.0 kg)
- Freezer door panel – 53 lbs. (24.0 kg)
- Grille Panel – 18 lbs. (8.16 kg)

	Lado a Lado de 36" (en pulgadas)						Posición del Espacio Libre del Dispensador	
	A	B	C	D	E	F	G	
Panel de Soporte de 1/4"	33-7/8	9	68-3/8	14-9/16	18-9/16			
Panel Separador de 0.10"	33	8-3/8	67	13-1/4	17-1/4			
Panel Revestido de 3/4"	34-1/8	9-1/4	68-5/8	14-13/16	18-13/16	34-5/16	2	
	Lado a Lado de 42" (en pulgadas)							
	A	B	C	D	E	F	G	
Panel de Soporte de 1/4"	39-7/8	9-1/2	68-3/8	14-9/16	24-9/16			
Panel Separador de 0.10"	39	8-5/8	67	13-1/4	23-1/4			
Panel Revestido de 3/4"	40-1/8	9-3/4	68-5/8	14-13/16	24-13/16	34-5/16	2	
	Lado a Lado de 48" (en pulgadas)							
	A	B	C	D	E	F	G	
Panel de Soporte de 1/4"	45-7/8	9-1/2	68-3/8	18-9/16	26-9/16			
Panel Separador de 0.10"	45	8-5/8	67	17-1/4	25-1/4			
Panel Revestido de 3/4"	46-1/8	9-3/4	68-5/8	18-13/16	26-13/16	34-5/16	4	

Guía de Diseño – Instalación Estándar



Guía de Diseño – Instalación Estándar



Gabinets sin Marco: El marco de la carcasa se superpone con los gabinetes en la parte superior y los costados. Por lo tanto, los gabinetes sin marco podrán requerir de tiras de relleno para evitar interferencias con el giro de la puerta del gabinete. La abertura deberá permitir la colocación de tiras de relleno.

Vista Superior GIRO DE PUERTA DE 90°

Escala 1:1

NOTA IMPORTANTE - PARA MODELOS CON DISPENSADOR:

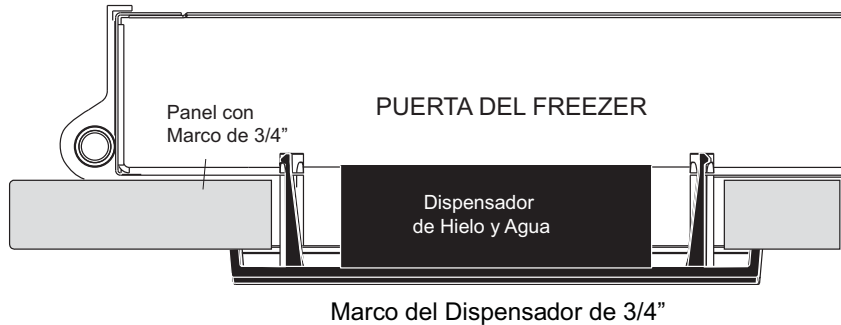
Los modelos con dispensador se suministran con dos marcos para dispensador, uno para paneles con marco ajustado y otro para paneles revestidos. El ajuste del marco del dispensador sobre el panel a medida depende del grosor correcto del panel. Los paneles con marco deberán poseer un grosor nominal de 1/4" (0.63 cm). Los paneles revestidos serán construidos como se muestra, a fin de lograr un grosor total de 1.100" (2.79 cm). Para más detalles, consulte las página 11.

Instrucciones de instalación – Instalación Estándar

EJEMPLOS DE AJUSTE DEL MARCO DEL DISPENSADOR: (NO A ESCALA)

PANEL CON MARCO DE 3/4” (0.63 cm)

- El marco del dispensador coincide con el panel a medida y calza sobre la puerta del freezer.
- Los ganchos no se ajustarán a la puerta si el panel posee un grosor superior a 0.250” (0.63 cm).
- Si el grosor del panel es inferior a 0.250” (0.63 cm), se podrá crear una brecha notoria alrededor del marco del dispensador.



PANEL REVESTIDO DE 1/4” (1.91 cm)

- El marco del dispensador coincide con el panel a medida y calza sobre la puerta del freezer.
- Los ganchos no se ajustarán a la puerta si el panel posee un grosor superior a 1.100” (2.79 cm).
- Si el grosor del panel es inferior a 1.100” (2.79 cm), se podrá crear una brecha notoria alrededor del marco del dispensador.



HERRAMIENTAS Y MATERIALES NECESARIAS

- Tijeras cortachapa para cortar bandas
- Escalera de dos hojas
- Extensión de broca de 1”
- Cinta métrica
- Guantes
- Tornillos para Panel de Yeso de 1/4”
- Balde de 5 galones con tapa
- Nivel de agua de 6”
- Carro Manual para Electrodomésticos
- Cortatubos
- Llave de tuercas de 7/16”
- Destornillador Phillips nº2
- Taladro y brocas apropiadas
- Enchufe de 5/16”, 7/16”
- Gafas de seguridad
- Llave de tuercas de 1 1/4”
- Pinzas
- Combo de Llave de Tubo de 1/4”, 5/16”
- Soporte Anti Volcaduras de 2 x 4 de 35” de longitud
- Tubería de cobre para suministro de agua de 1/4” o kits de Tuberías para Refrigerador SmartConnect™
- Válvula de cierre de agua
- Paneles a medida para paneles de puerta y rejilla
- Tornillos para asegurar el refrigerador a los gabinetes
- Cintas de ajuste de velcro para paneles laterales de 1/4”

MATERIALES SUMINISTRADOS

- Tapón del bypass del filtro de agua (en algunos modelos)
- Zócalo
- Tuerca y abrazadera de refuerzo de 1/4”
- Marco del dispensador para paneles revestidos (para uso con modelos de Paneles a Medida).

PISO

Para una instalación correcta, el refrigerador se deberá ubicar en una superficie nivelada de material duro que posea la misma altura en el resto del piso. Esta superficie deberá ser lo suficientemente fuerte como para resistir el peso de un refrigerador totalmente cargado, o aproximadamente 1500 libras (680.39 kg.).

NOTA: Proteja el acabado del piso. Corte una sección amplia de cartón y coloque la misma debajo del refrigerador donde se encuentra trabajando.

Instrucciones de instalación – Instalación Estándar

CONEXIÓN A TIERRA DEL REFRIGERADOR

⚠ ADVERTENCIA  **Riesgo de Descarga Eléctrica**

Si no se siguen estas instrucciones, se podrá producir la muerte, incendios o descargas eléctricas.

El cable de corriente de este electrodoméstico cuenta con un enchufe de 3 cables (conexión a tierra) que se conecta a un tomacorriente de pared estándar de 3 cables (conexión a tierra) para minimizar el riesgo de posibles descargas eléctricas por parte del mismo.

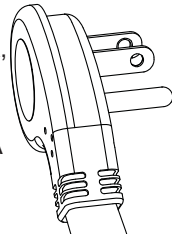
Contrate a un electricista calificado para que controle el tomacorriente y el circuito eléctrico, a fin de asegurar que el enchufe esté correctamente conectado a tierra.

En caso de contar con un tomacorriente de pared de 2 cables, es su responsabilidad y obligación reemplazarlo por un tomacorriente de pared de 3 cables correctamente conectado a tierra.

NUNCA, BAJO NINGUNA CIRCUNSTANCIA, CORTE NI ELIMINE EL TERCER CABLE (TIERRA) DEL CABLE DE CORRIENTE.

NO USE UN ENCHUFE ADAPTADOR PARA CONECTAR EL REFRIGERADOR A UN TOMACORRIENTE DE 2 PATAS.

NO USE UN PROLONGADOR CON ESTE ELECTRODOMÉSTICO.



PASO 1 RETIRE EL EMBALAJE

⚠ ADVERTENCIA  **Riesgo de Caídas**

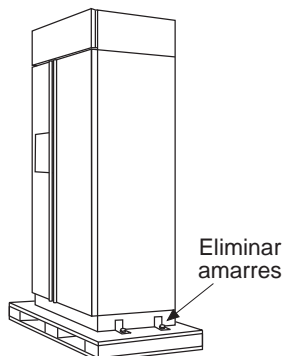
El refrigerador es mucho más pesado en su parte superior que en su parte inferior – tenga cuidado al moverlo. Al usar un carro manual, sosténgalo de costado únicamente.

- De forma cuidadosa, corte las bandas en la parte superior e inferior, y retire el cartón externo.
- Deslice hacia afuera los postes de las esquinas traseras (2).
- Deslice el cartón fuera de la parte superior del gabinete.

NOTA: ¡NO ES NECESARIO APOYAR EL GABINETE PARA RETIRAR EL ANTIDESLIZANTE!

- La unidad se encuentra asegurada al antideslizante por 4 cintas de amarre ranuradas. Retire los seis tornillos de 7/16" de los canales de la base en los amarres.
- Retire los seis tornillos de 7/16" que aseguran las cintas al antideslizante.

NOTA: NO INTENTE HACER RODAR LA UNIDAD FUERA DEL ANTIDESLIZANTE.



PASO 1 RETIRE EL EMBALAJE

- Los bloques de soporte de la parte inferior de la carcasa de refrigeración deberán ser retirados antes de que el refrigerador sea retirado del antideslizante, ya que de otro modo se podrán producir daños. De forma cuidadosa, incline el refrigerador y deslice los bloques hacia afuera desde abajo.
- Retire el zócalo, encintado sobre el lado izquierdo del refrigerador, y deje el mismo a un costado hasta el final de la instalación.
- Levante el refrigerador fuera del antideslizante con un carro para electrodomésticos. Sostenga el electrodoméstico de los costados.

PASO 2 TRANSPORTE EL REFRIGERADOR A SU HOGAR

- Vuelva a usar los postes de las esquinas del embalaje para proteger los modelos de acero inoxidable. Haga pasar las cintas del carro para electrodoméstico sobre los postes y debajo de las manijas.
- Deje cualquier película protectora sobre el refrigerador hasta que la instalación sea completada. **IMPORTANTE:** Nunca levante el refrigerador tomando la manija del mismo ni presione contra el panel de la rejilla; esto podría ocasionar daños o desalineaciones.
- Evite apoyar la unidad sobre su parte trasera o lateral, a fin de evitar restricciones sobre el sistema sellado.

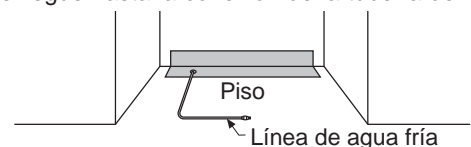
PASO 3 INSTALE EL SUMINISTRO DE AGUA

⚠ ADVERTENCIA Realice la conexión a un suministro de agua potable únicamente. Se requiere un suministro de agua fría para el funcionamiento de la máquina de hielos automática y de la jarra de llenado automático. La presión del agua deberá estar entre 40 y 120 p.s.i. (275 – 827 kPa).

⚠ ADVERTENCIA  **PELIGRO DE DESCARGA ELÉCTRICA**

Adhiera la abrazadera de la tubería usando el agujero existente únicamente. NO perforo el refrigerador.

- Se requiere un suministro de agua fría para el funcionamiento de la máquina de hielo automática. La presión del agua deberá ser de entre 40 y 120 p.s.i. (275-827 kPa).
- Haga circular una tubería de cobre con un diámetro externo de 1/4" o una tubería de plástico SmartConnect™ entre la tubería de agua fría del hogar y la ubicación de la conexión de agua.
- La tubería deberá ser de una extensión suficiente como para llegar hasta el frente del refrigerador. Deje una cantidad de tubería suficiente como para hacer una inclinación que llegue hasta la conexión de la tubería de agua.



Instrucciones de instalación – Instalación Estándar

PASO 3 INSTALE EL SUMINISTRO DE AGUA (Cont.)

NOTA: La única tubería de plástico aprobada por Monogram es suministrada en los Kits de Tuberías para Refrigerador de SmartConnect™. No use ninguna otra tubería de suministro de agua plástica, ya que la tubería se encuentra bajo presión en todo momento. Otros tipos de plásticos podrán sufrir fisuras o roturas con el paso del tiempo y ocasionar problemas con el agua en su hogar.

Los Kits de Tuberías para Refrigerador de SmartConnect™ están disponibles en las siguientes longitudes:

- 2' (.6 m) - WX08X10002
- 8' (2.4 m) - WX08X10006
- 15' (4.6 m) - WX08X1 0015
- 25' (7.6 m) - WX08X10025

Cierre el suministro principal de agua.

Abra el grifo más cercano durante un tiempo suficiente como para despejar la tubería de agua.

- Instale una válvula de cierre entre la válvula de agua de la máquina de hielo y la tubería de agua fría en un punto bajo o en un gabinete. La válvula de cierre deberá ser ubicada donde sea de fácil acceso.
- Abra el suministro de agua principal y deje correr la suciedad. Deje correr aproximadamente un cuarto de galón de agua a través de la tubería a un balde. Cierre el suministro de agua desde la válvula de cierre

NOTA: Muchos kits de suministro de agua incluyen válvulas de cierre tipo montura, pero no se recomiendan para esta aplicación.

NOTA: Se deberá cumplir con los Códigos de Plomería del Commonwealth de Massachusetts 248CMR. Las válvulas tipo montura son ilegales y su uso está prohibido en Massachusetts. Consulte a un plomero matriculado.

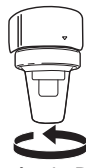
PASO 4 INSTALACIÓN DE LA TUBERÍA DE AGUA CON SISTEMA DE ÓSMOSIS INVERSA U OTRO SISTEMA DE FILTRACIÓN HOGAREÑO

Saltee este paso si no usará un sistema RO u otro sistema de filtración hogareño.

Si el suministro de agua al refrigerador es desde un sistema de filtración hogareño, utilice el tapón del bypass del filtro del refrigerador. El uso del cartucho de filtración de agua del refrigerador junto con el filtro RO podrá producir cubos de hielo huecos.



Gire en Dirección Antihoraria para Retirar



Tapón de Bypass del Filtro

Para acceder a un tapón del bypass gratuito, visite monogram.com o llame al 800.444.1845. En Canadá, visite monogram.ca o llame al 800.661.1616. El tapón del bypass se debe instalar de la misma forma que el cartucho del filtro.

La máquina de hielo no funcionará sin el filtro o el tapón del bypass del filtro.

PASO 5 INSTALE LOS PANELES LATERALES

Saltee este paso cuando no use los paneles laterales. Si usará paneles laterales de 1/4" (0.63), deberán ser insertados en el marco de la carcasa. Ajuste los paneles al refrigerador con cintas de sujeción de velcro, antes de establecer el refrigerador en su posición.

PASO 6 PROCEDIMIENTO ANTI-VOLCADURAS

ADVERTENCIA

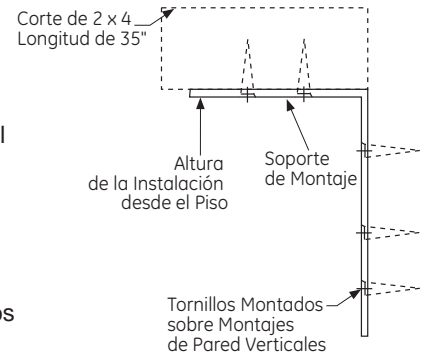


Riesgo de Caídas

Estos refrigeradores son inestables, especialmente cuando una puerta se encuentre abierta, y deberán estar asegurados a fin de evitar caídas hacia adelante que podrían resultar en la muerte o en lesiones graves. Lea y siga las instrucciones de instalación en su totalidad para asegurar el refrigerador con el sistema anti volcaduras.

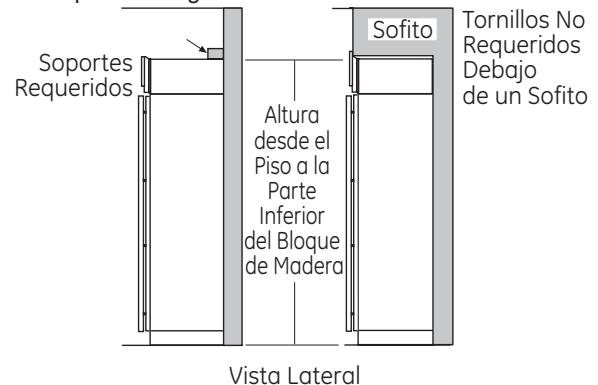
- Corte un bloque de 2" x 4", de 35" (88.9 cm) de longitud y asegure dicho bloque a los soportes de montaje provistos usando tornillos de madera n° 12 y n° 14.

- Asegure el soporte con un bloque de madera sobre la pared trasera, de modo que posea 84" (213.36 cm) desde el piso terminado. Use tornillos de madera n° 12 y n° 14. Lea la ilustración.



- Los tornillos deberán penetrar por lo menos una pulgada en los montantes de pared.
- Si se utilizan montantes de pared metálicos, use tornillos autorroscantes para lámina metálica en lugar de tornillos de madera.

IMPORTANTE: Cuando el refrigerador sea instalado debajo de un soffito o si no se cuenta con suficiente altura para este método de seguridad, no se podrán usar soportes. Proceda al paso 7 para nivelar el refrigerador y luego al paso 8 para asegurar el refrigerador a los gabinetes. El refrigerador deberá quedar asegurado a fin de evitar volcaduras.



Instrucciones de instalación – Instalación Estándar

PASO 6 PROCEDIMIENTO ANTI-VOLCADURAS (Cont.)

CONECTE EL CABLE DE CORRIENTE:

- Antes de empujar el refrigerador hasta la abertura, enchufe el cable de corriente en el receptáculo. Será necesario retirar el protector del filtro de agua para tener acceso (en algunos modelos). Retire los 3 tornillos sosteniendo el mismo en su posición. Si el acceso aún se encuentra demasiado ajustado, retire los 2 tornillos que sostienen el soporte del filtro de agua

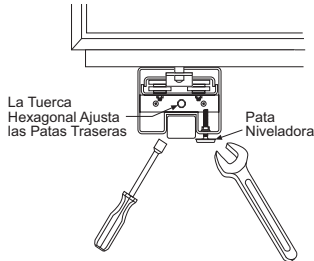
y mueva éste hacia un lado. Abra el panel con la rejilla y alcance la abertura en la parte trasera para tomar el cable de corriente. Retire el cable de corriente de la abertura a medida que empuja el refrigerador hacia atrás. Asegure el soporte y el protector con los tornillos originales.

- De forma suave, empuje el refrigerador sobre la abertura con las manos contra las esquinas frontales.

PASO 7 NIVELE EL REFRIGERADOR

Todos los modelos cuentan con 4 puntos de nivelación. La parte frontal está apoyada sobre patas niveladoras; la parte trasera está apoyada sobre ruedas ajustables. Es posible acceder a ambas desde la parte frontal del refrigerador.

- A fin de nivelar la parte trasera del refrigerador, gire la tuerca hexagonal que se encuentra ubicada sobre las ruedas frontales. Gire en dirección horaria para elevar el refrigerador, y en dirección antihoraria para bajar el mismo.

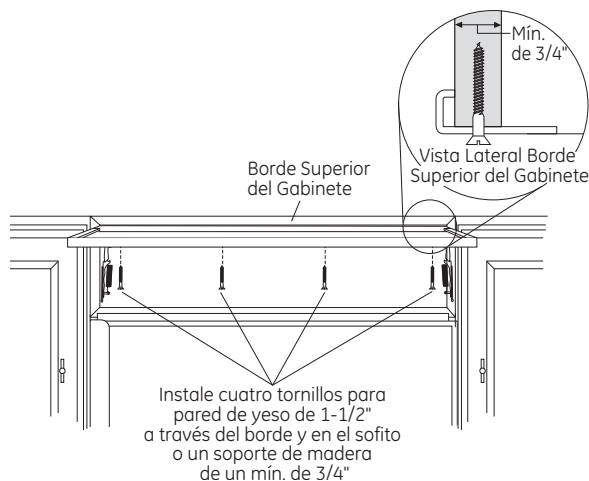


- Para nivelar la parte frontal, use una llave de boca de 1 ¼" (3.175 cm).
- Ajuste la altura del refrigerador para que coincida con la abertura del espacio libre de la instalación de 84 ½" (214.63 cm). El refrigerador deberá estar nivelado y correctamente instalado entre los muebles de cocina.

AVISO: Las ruedas niveladoras traseras y las patas niveladoras frontales cuentan con un límite de ajuste de altura máxima de 1". Si en la instalación se requiere una altura superior a 84 1/2" (214.63 cm), el instalador deberá elevar el refrigerador sobre una lámina de contrachapado o correderas. También se podrá agregar un marco para gabinetes a través de la parte superior de la abertura, a fin de acortar esta última. Si intenta elevar el refrigerador más de 1" (2.54 cm), dañará las patas niveladoras frontales y las ruedas niveladoras traseras. **Realice ajustes por incrementos pequeños.**

PASO 8 PROCEDIMIENTO ANTI-VOLCADURAS ALTERNATIVO

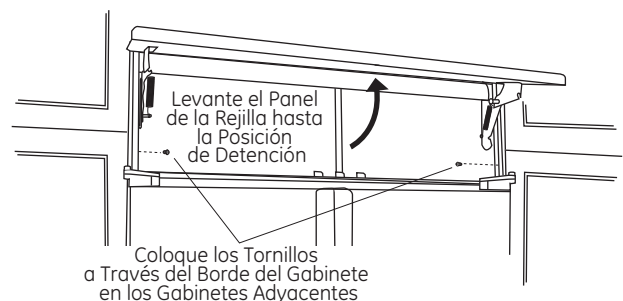
El refrigerador deberá quedar asegurado a fin de evitar volcaduras.



- Eleve el panel de rejilla para acceder al marco de la carcasa.
- Use una broca de 3/16" para perforar cuatro agujeros en el espacio libre espaciado de forma pareja a través del marco de la carcasa metálica superior.

- Use una broca de 1/16" para perforar agujeros piloto a través de los agujeros metálicos en el espacio libre y en el soffito de madera. Los agujeros deberán estar centrados en el soffito o en un soporte de madera de un mínimo de ¾". El soporte que abarca el cercado deberá estar ajustado de forma segura a los gabinetes sobre ambos lados.

- Instale cuatro tornillos para panel de yeso de 1 ½" (3.81 cm) en los agujeros piloto.
- Perfore los tornillos en los gabinetes adyacentes a través del marco de la carcasa lateral.

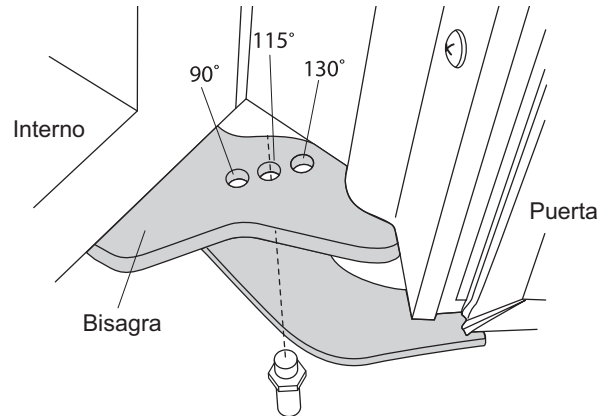


Instrucciones de instalación – Instalación Estándar

PASO 9 AJUSTE EL GIRO DE LA PUERTA

NOTA: Este refrigerador cuenta con una detención de la puerta de 3 posiciones: 90°, 115°, y 130°. Cuando el espacio no permita que la puerta gire completamente hasta los 115°, podrá cambiar el giro de la puerta a una apertura de 90°. Un giro de puerta de 130° está disponible para la instalación estándar únicamente. **Si la apertura de la puerta es satisfactoria para su situación durante la instalación, saltee este paso.**

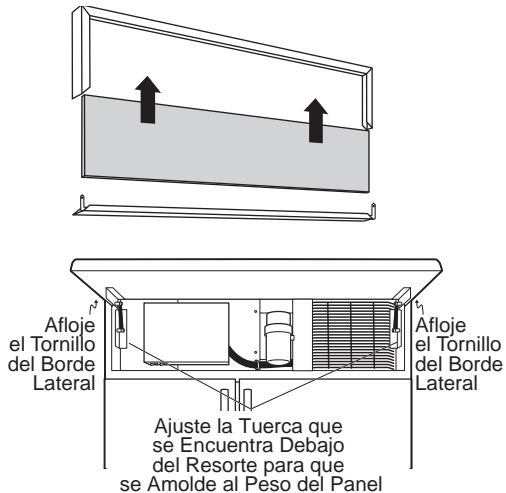
- Abra la puerta para visualizar la bisagra inferior. Observe las ubicaciones de los pernos de detención de la puerta. El perno fue instalado de fábrica en la posición de 115°.
- Cierre la puerta. Desde abajo, use una pinza para desenroscar la detención de la puerta y vuelva a instalar la misma en la posición de 130° o 90°.



PASO 10 INSTALE EL PANEL DE LA REJILLA

Para insertar el panel con marco o revestido en la rejilla:

- Eleve el panel de la rejilla hasta la posición de detención.



- Afloje los tornillos sobre el marco lateral detrás del marco. Retire el marco inferior.

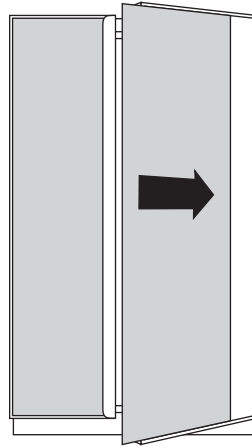
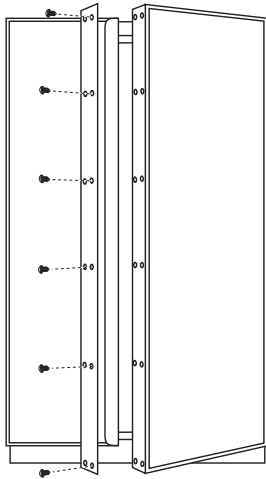
⚠ PRECAUCIÓN RIESGO DE EXTREMO FILOSO

Es posible que el panel metálico esté resbaladizo. Tome el panel metálico de manera firme, de modo que no se deslice fuera del marco y ocasione lesiones personales o daños sobre el marco.

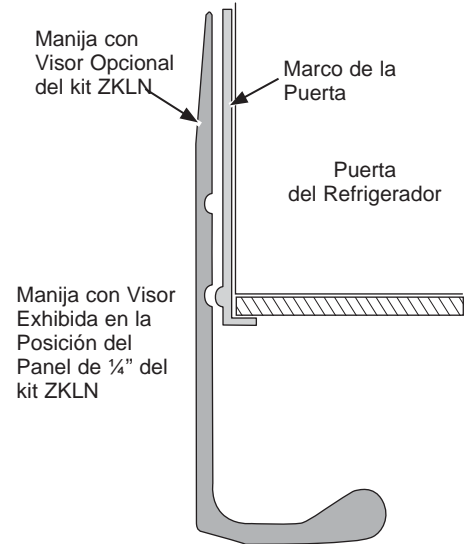
- Deslice el panel sobre el panel de soporte metálico y sobre el marco.
- De ser necesario, golpee con un bloque de madera hasta que el panel se deslice por debajo de la pieza del marco superior.
- Vuelva a ensamblar el marco inferior. Ajuste los tornillos.
- Ajuste el resorte de la bisagra para acomodar el peso del panel, de ser necesario.

Instrucciones de instalación – Instalación Estándar

PASO 11 INSTALE LOS PANELES CON MARCO DE 1/4" (0.63 cm)



Para Consultar sobre los Paneles Revestidos, Vaya al Paso 11A.



Instale los paneles de la puerta:

- Abra la puerta a 90°.
- Retire los 6 tornillos que sostienen el marco de la puerta del lado de la manija, y luego levante y retire el marco. Conserve los tornillos.
- Deslice el panel a medida dentro del marco de la puerta.

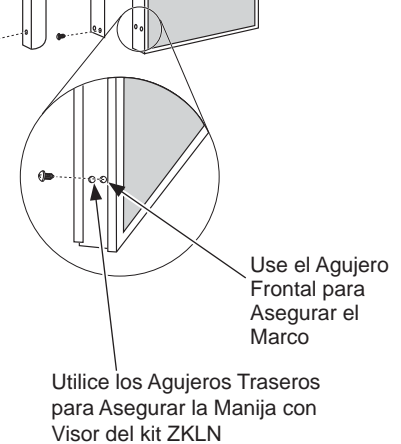
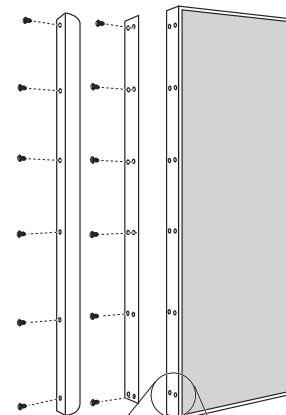
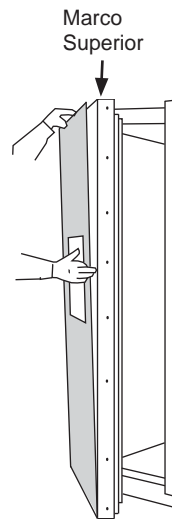
Modelos con Dispensador Únicamente:

- **IMPORTANTA:** Los controles del dispensador sobresalen más allá de la cara de la puerta del freezer. A fin de evitar daños sobre el dispensador, el marco en la parte superior de la puerta deberá ser retirado.
- Retire los tornillos que sostienen el marco superior en su posición.
- Coloque el panel del freezer en el canal inferior y deslice el mismo dentro del marco lateral de la bisagra.
- Vuelva a instalar la pieza del marco superior con los tornillos.

Todos los modelos

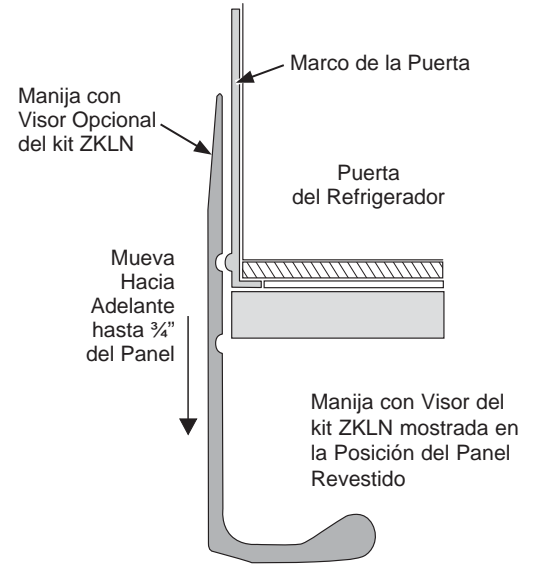
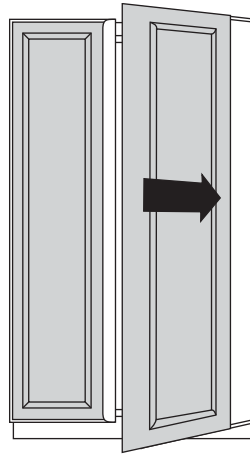
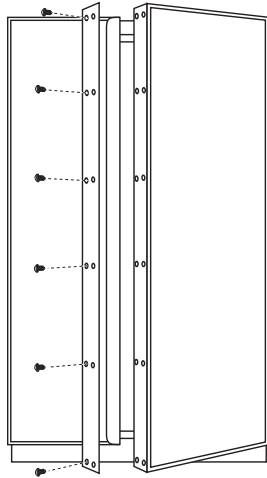
- Hay dos conjuntos de agujeros en el marco de la puerta, sobre el lateral de la manija. Reemplace el marco de la puerta del lado de la manija colocando los tornillos originales en los agujeros de los tornillos FRONTALES.
- Asegure la manija con visor del kit ZKLN a la puerta usando los agujeros de los tornillos TRASEROS.
- Siga los mismos procedimientos para instalar el panel opuesto.
- Realice un control para asegurarse de que las manijas estén niveladas una con otra en la parte superior. Para ajustar, afloje los tornillos de la manija y deslice la misma hacia arriba o abajo. Ajuste los tornillos.

NOTA: El marco con tapa de aluminio es suministrado para uso con manijas a medida en los paneles revestidos. No fue diseñado para su uso con paneles de 1/4" (0.63 cm). Descarte el marco de la tapa usando los paneles con marco de 1/4" (0.63 cm).



Instrucciones de instalación – Instalación Estándar

PASO 11A INSTALE EL PANEL REVESTIDO



Instale los paneles de la puerta:

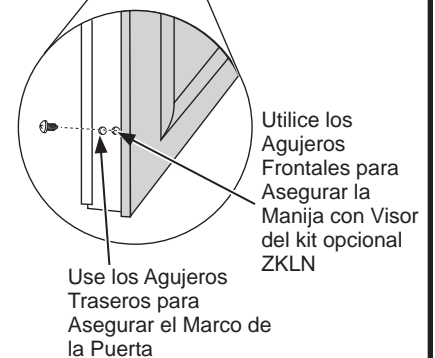
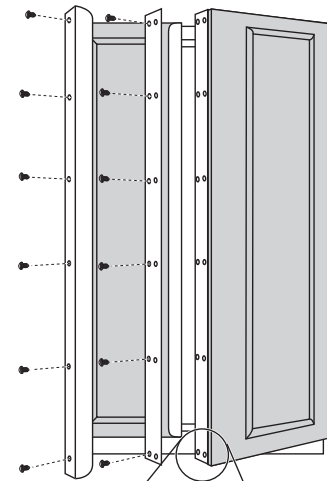
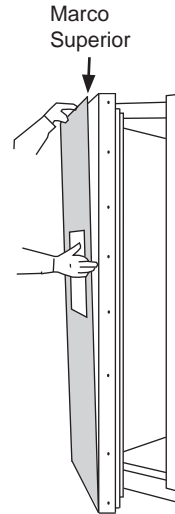
- Abra la puerta hasta 90°.
- Retire los 6 tornillos que sostienen el marco de la puerta del lado de la manija, y luego levante y retire el marco. Conserve los tornillos.
- Deslice el panel revestido dentro del marco de la puerta.

Modelos con Dispensador Únicamente:

- **IMPORTANTA:** Los controles del dispensador sobresalen más allá de la cara de la puerta del freezer. A fin de evitar daños sobre el dispensador, el marco en la parte superior de la puerta deberá ser retirado.
- Retire los tornillos que sostienen el marco superior en su posición.
- Coloque el panel del freezer ensamblado en el canal inferior y deslice el mismo dentro del marco lateral de la bisagra.
- Vuelva a instalar la pieza del marco superior con todos los tornillos originales.

Todos los modelos

- Hay dos conjuntos de agujeros en el marco de la puerta, sobre el lateral de la manija. Reemplace el marco de la puerta instalando los tornillos originales en los agujeros de los tornillos TRASEROS.
- Asegure la manija con visor del kit ZKLN a la puerta usando los agujeros de los tornillos FRONTALES.
- Siga los mismos procedimientos para instalar el panel opuesto.
- Realice un control para asegurarse de que las manijas estén niveladas una con otra en la parte superior. Para ajustar, afloje los tornillos de la manija y deslice la misma hacia arriba o abajo. Ajuste los tornillos.

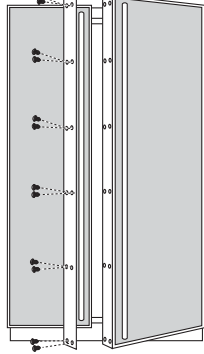


Instrucciones de instalación – Instalación Estándar

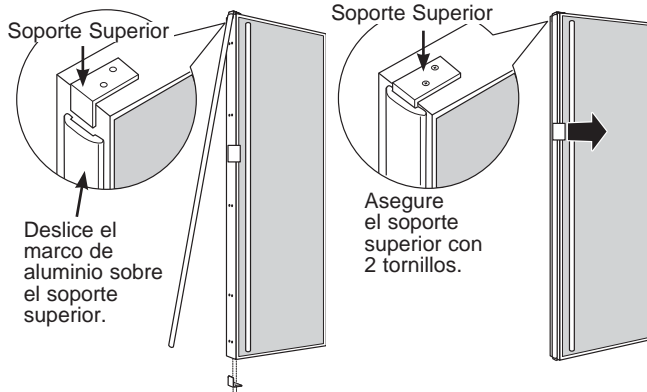
PASO 11A INSTALE LOS PANELES REVESTIDOS (Cont.)

Manijas a Medida Opcionales

- Si usará manijas a medida, la manija deberá estar correctamente asegurada al panel revestido antes de deslizar el panel sobre el marco.
- El fabricante del gabinete suministrará la manija a medida y los materiales.
- Vuelva a instalar el marco de la puerta del lateral de la manija, usando los 6 tornillos de cabeza plana, además de los 6 tornillos de cabeza plana instalados originalmente en el marco de la puerta del lado de la manija.
- Instale el soporte suministrado sobre la parte superior de la puerta, usando un destornillador con cabeza Phillips y los 2 tornillos provistos. **Ajuste los tornillos de forma manual en las tapas de los extremos. No ajuste en exceso; se podrán producir daños.**
- Limpie el marco de aluminio frotando alcohol - no use alcoholes con aceite o lanolina que impidan la adhesión de la cinta pegamento en ambos lados.
- Deslice la tapa de aluminio sobre el soporte superior para controlar el ajuste. El marco con tapa de aluminio cuenta con una ranura sobre cada extremo que se ajustan al soporte.



Vuelva a instalar los tornillos originales.



- Retire el marco. Quite unas pocas pulgadas del refuerzo adhesivo.
IMPORTANTE: La cinta es muy adherente y fuerte. Una vez adherida a la superficie, no podrá ser retirada sin dañar ambas superficies. No instale el marco antes de que los paneles de madera finales estén en sus posiciones. Asegúrese de alinear el marco de forma cuidadosa, antes de retirar el refuerzo de papel.

PASO 11A INSTALE LOS PANELES REVESTIDOS (Cont.)

- Con cuidado coloque el marco con tapa de aluminio sobre el soporte superior, de modo que el soporte se encuentre dentro del marco de la tapa. Use las ranuras desde la parte superior a la inferior a lo largo del lateral de la manija para alinear el marco de la tapa de forma precisa. Alinee el soporte con los agujeros de los tornillos en la parte superior de la puerta.
- Presione la cinta unas pocas pulgadas por vez, mientras presiona el marco contra la puerta. Mantenga la presión durante aproximadamente 10 segundos antes de continuar sobre toda la longitud de la puerta.
- Instale otro soporte en la parte inferior de la puerta para asegurar el marco de la tapa. Use un Destornillador con cabeza Phillips y mango ancho y los 2 tornillos provistos.
NOTA: Asegúrese de que no haya brechas en la instalación.
- Siga el mismo procedimiento en la puerta opuesta.

Instrucciones de instalación – Instalación Estándar

PASO 12 REALICE LA CONEXIÓN AL SUMINISTRO DE AGUA

⚠ ADVERTENCIA Realice la conexión a un suministro de agua potable únicamente. Se requiere un suministro de agua fría para el funcionamiento de la máquina de hielos automática y de la jarra de llenado automático. La presión del agua deberá estar entre 40 y 120 p.s.i. (275 – 827 kPa).

⚠ ADVERTENCIA  PELIGRO DE DESCARGA ELÉCTRICA
Adhiera la abrazadera de la tubería usando el agujero existente únicamente. NO perfore el refrigerador.

- Encuentre y traiga la tubería al frente del gabinete.
- Abra y deje correr el agua a fin de eliminar desechos del suministro. Deje correr alrededor de un cuarto de galón de agua por la tubería a un balde; luego cierre el suministro de agua.

Tubería de Cobre:

- Coloque una tuerca de 1/4" y una abrazadera de refuerzo (provista) sobre ambos extremos de la tubería de cobre. Inserte la tubería en la unión con la unidad y ajuste la tuerca a la unión.
- Abra el suministro de agua para controlar que no haya pérdidas.

Tubería SmartConnect™:

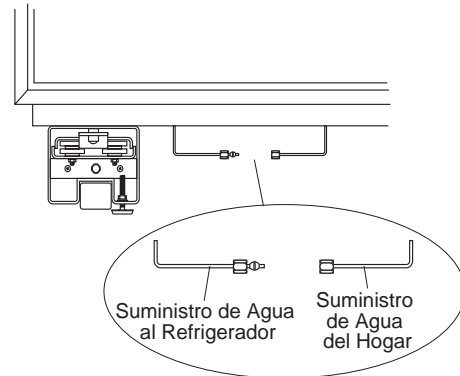
NOTA: La única tubería de plástico aprobada por Monogram es suministrada en los Kits de Tuberías para Refrigerador de SmartConnect™. No use ninguna otra tubería de suministro de agua plástica, ya que la tubería se encuentra bajo presión en todo momento. Otros tipos de plásticos podrán sufrir fisuras o roturas con el paso del tiempo y ocasionar problemas con el agua en su hogar.

Los Kits de Tuberías para Refrigerador de SmartConnect™ están disponibles en las siguientes longitudes:

2' (.6 m) WX08X10002
8' (2.4 m) WX08X10006
15' (4.6 m) WX08X10015
25' (7.6 m) WX08X10025

- Inserte el extremo moldeado de la tubería en la conexión del refrigerador. Ajuste la tuerca de compresión hasta que quede fijada sólo con la presión manual.
- Realice un ajuste adicional con un giro de llave. ¡Un ajuste excesivo podrá ocasionar pérdidas!
- Abra el suministro de agua para controlar que no haya pérdidas.
- Haga funcionar el dispensador, si está disponible, durante 2 minutos o 1 galón de agua. Es normal que el dispensador produzca chorros durante las primeras pocas tazas.

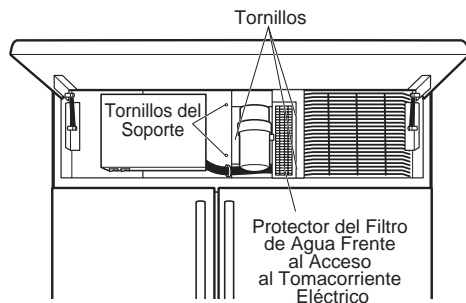
NOTA: Asegúrese de que un exceso de la longitud de la tubería no interfiera con el cierre del cajón o con la instalación del zócalo.



Instrucciones de instalación – Instalación Estándar

PASO 13 CONECTE LA CORRIENTE, CIERRE EL PANEL DE LA REJILLA

- Abra el panel de la rejilla.
- Enchufe el cable de corriente (de ser necesario) llegando hasta la abertura próxima al filtro de agua. Será necesario retirar el protector del filtro de agua para tener acceso (en algunos modelos). Retire los 3 tornillos sosteniendo el mismo en su posición. Si el acceso aún se encuentra demasiado ajustado, retire los 2 tornillos que sostienen el soporte del filtro de agua y mueva éste hacia un lado. Enchufe el cable de corriente. Asegure el soporte y el protector con los tornillos originales.



- Realice un control para asegurar que la corriente que va al refrigerador está activada, abriendo la puerta del refrigerador para ver si las luces interiores están encendidas.
- Los controles de temperatura están preconfigurados en 37°F (3° C) para la sección de comidas frescas y en 0°F (-18°C) para el freezer.
- Permita que se establezca durante 24 horas antes de realizar ajustes.

PASO 14 ENCIENDA LA MÁQUINA DE HIELO

⚠ PRECAUCIÓN

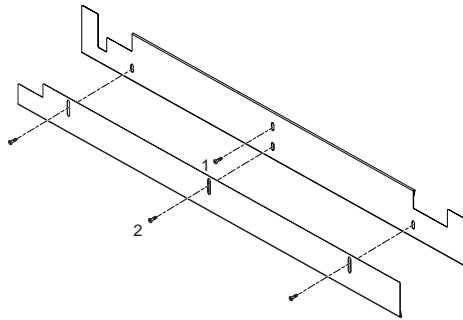
Para minimizar el riesgo de lesiones personales, evite el contacto con las partes móviles del mecanismo eyector o con el elemento de calefacción que libera los cubos. No coloque los dedos ni las manos en el mecanismo de la máquina de hielo automática mientras el electrodoméstico se encuentre enchufado.

- La máquina de hielos estará en ON (Encendido) cuando la unidad se enchufe.
- La máquina de hielos comenzará a funcionar automáticamente.
- Asegúrese de que nada interfiera con la extensión del brazo sensor.
- Descarte el primer balde lleno de cubos de hielo.
- Para apagar la máquina de hielos, presione las teclas – y + del refrigerador de los controles de Fresh Food (Comida Fresca) durante 5 segundos. La pantalla mostrará ICE OFF (Hielo Apagado).
- Para volver a encender la máquina de hielos, presione las teclas – y + del refrigerador de los controles de Fresh Food (Comida Fresca) durante 5 segundos.

Instrucciones de instalación – Instalación Estándar

PASO 15 INSTALE LOS ZÓCALOS

- Ubique los zócalos suministrados (encintados en el embalaje al costado del refrigerador).
- El conjunto de zócalos más angostos será usado para una instalación estándar.
- Adhiera el zócalo MÁS GRANDE al refrigerador usando ÚNICAMENTE el agujero superior central (1).
- Adhiera la falda del zócalo al refrigerador usando las tres ranuras inferiores (2).
- Se podrá instalar un zócalo a medida que coincida o se

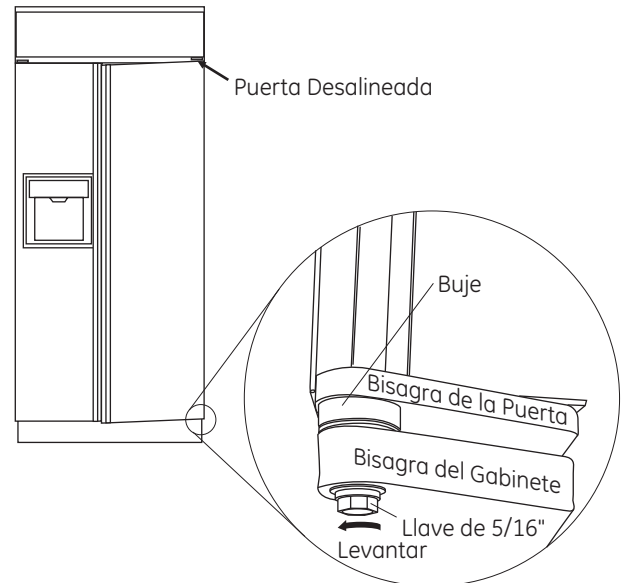


complemente con los muebles que estén alrededor. Use el zócalo suministrado como plantilla para realizar el corte de acuerdo a su forma.

INSPECCIONE LA INSTALACIÓN FINAL

Controle la alineación de la puerta. Aléjese del refrigerador para inspeccionar la instalación final.

- Realice un control para asegurarse de que las manijas estén niveladas una con otra en la parte superior. Para ajustar, afloje los tornillos de la manija y deslice la misma hacia arriba o abajo. Ajuste los tornillos.
- Es posible que el envío o la adición de paneles de puerta pesados hayan ocasionado que las puertas se muevan levemente fuera de su alineación.



- De ser necesario, la puerta de comidas frescas podrá ser ajustada hacia arriba o abajo a fin de alinear la misma con la puerta del freezer.
- Use una llave de 5/16" para ajustar el perno de la bisagra como se muestra.

Instrucciones para una Instalación con Montaje Nivelado

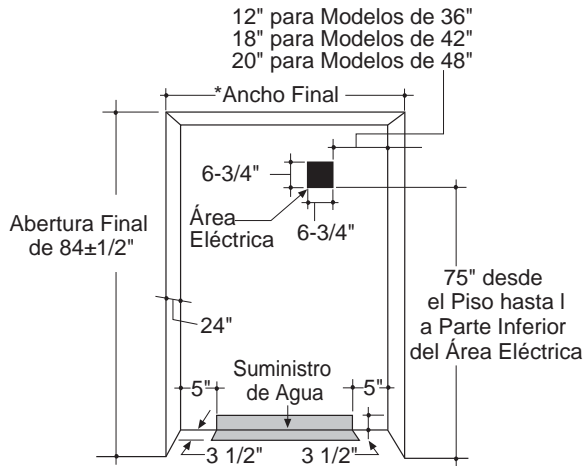
NIVELE EL KIT INTEGRADO ZKFN REQUERIDO

El kit integrado nivelado incluye instrucciones de instalación, zócalos modificados, ensamble de la carcasa y otros componentes requeridos

Instrucciones para la Instalación de Acero Inoxidable

Guía de Diseño - Instalación de Acero Inoxidable

EL ESPACIO DE INSTALACIÓN



- * El ancho del espacio libre final deberá ser de:
- 35-1/2" (90.17 cm) para modelos de 36"
 - 41-1/2" (105.41 cm) para modelos de 42"
 - 47-1/2" (120.65 cm) para modelos de 48"

Ubicaciones de Agua y Electricidad

La abertura deberá estar preparada con el suministro de electricidad y de agua ubicados como se muestra.

La Profundidad del Espacio Libre Deberá Ser de un Mínimo de 24" (60.96 cm)

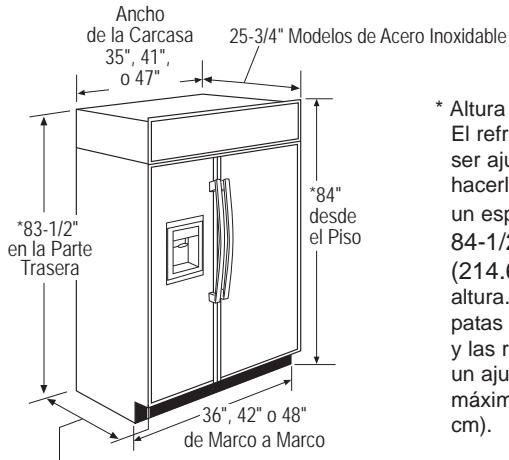
El refrigerador se proyectará hacia adelante, levemente más allá del gabinete adyacente para la instalación estándar.

Especificaciones adicionales

- Se requiere un suministro de corriente de 115 voltios, 60Hz., y 15 o 20 amperes. Se recomienda el uso de un circuito individual derivado o un disyuntor correctamente conectado a tierra. Instale un receptáculo eléctrico de 3 patas correctamente conectado a tierra en la pared trasera. El receptáculo eléctrico deberá estar ubicado en la pared trasera como se muestra.
- El suministro de agua puede ingresar a la abertura a través del piso o la pared trasera. Haga circular el kit de SmartConnect™ o una tubería de cobre con un diámetro externo de 1/4" entre la tubería de agua fría y la ubicación de la conexión de agua. La tubería deberá poseer una extensión suficiente como para llegar hasta el frente del refrigerador. Se requiere la instalación de una válvula de cierre fácilmente accesible en la tubería de agua.

Guía de Diseño - Instalación de Acero Inoxidable

DIMENSIONES Y ESPACIOS LIBRES



Profundidad Incluyendo las Manijas:
 - Modelos de Acero Inoxidable de 27-7/8\" con Manija Minimalista opcional (ZKSS2H2CNSS)
 - Modelos de Acero Inoxidable de 28 3/8\"

* Altura del embalaje. El refrigerador puede ser ajustado para hacerlo caber en un espacio libre de 84-1/2\" (214.63 cm) de altura. Use las patas niveladoras y las ruedas para un ajuste de altura máxima de 1\" (2.54 cm).

Espacios Libres del Producto

Estos refrigeradores están equipados con un dispositivo de detención de la puerta de 3 posiciones. El giro de la puerta de 115° original de fábrica se podrá a justar a 90° si el espacio libre hasta los gabinetes adyacentes o paredes es restringido. Sólo la instalación estándar podrá ser ajustada a 130°.

Deje un espacio libre mínimo para la puerta del freezer (Dimensión A) y para la puerta de comidas frescas (Dimensión B) para un giro de puerta de 115° y para permitir el retiro de la bandeja.

Para un giro de puerta de 90°, deje un espacio libre mínimo de 4 5/8\" (11.75 cm) hasta una pared, cuando se trate de modelos con marco o de acero inoxidable. Si se usa la detención de puerta en 90°, se mantendrá el acceso a las bandejas pero su retiro estará restringido.

Consulte la ilustración en la página 26 y 27 para determinar la interacción del giro de la puerta con los gabinetes o mesadas adyacentes.

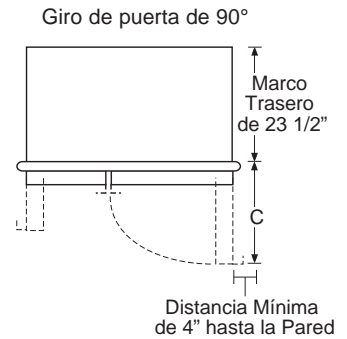
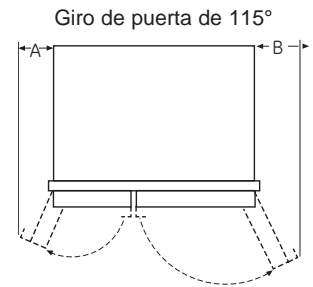
ZISS36 con Manija Minimalista	A	B	C
90°	2-7/16\" (7.30 cm)	2-7/16\" (7.30 cm)	20-9/16\" (52.23 cm)
115°	8-1/8\" (15.72 cm)	9-3/4\" (20 cm)	20-9/16\" (52.23 cm)
130°	10-3/4\" (23.34 cm)	13-5/16\" (29.85 cm)	20-9/16\" (52.23 cm)

ZISS42 con Manija Statement	A	B	C
90°	2-15/16\" (5.87 cm)	2-15/16\" (5.87 cm)	26-9/16\" (67.47 cm)
115°	8-9/16\" (21.75 cm)	12-3/4\" (32.39 cm)	26-9/16\" (67.47 cm)
130°	11-1/4\" (28.58 cm)	17-5/8\" (44.77 cm)	26-9/16\" (67.47 cm)

ZISS42 con Manija Minimalista	A	B	C
90°	2-7/16\" (7.30 cm)	2-7/16\" (7.30 cm)	26-9/16\" (67.47 cm)
115°	8-3/16\" (21.27 cm)	12-3/8\" (31.43 cm)	26-9/16\" (67.47 cm)
130°	10-7/8\" (27.62 cm)	17-5/16\" (43.97 cm)	26-9/16\" (67.47 cm)

ZISS48 con Manija Statement	A	B	C
90°	2-15/16\" (5.87 cm)	2-15/16\" (5.87 cm)	28-5/8\" (72.71 cm)
115°	10-1/4\" (20.04 cm)	13-9/16\" (34.45 cm)	28-5/8\" (72.71 cm)
130°	13-13/16\" (35.08 cm)	18-15/16\" (48.1 cm)	28-5/8\" (72.71 cm)

ZISS48 con Manija Minimalista	A	B	C
90°	2-7/16\" (7.30 cm)	2-7/16\" (7.30 cm)	28-5/8\" (72.71 cm)
115°	9-7/8\" (25.08 cm)	13-3/16\" (34.50 cm)	28-5/8\" (72.71 cm)
130°	13-1/2\" (34.29 cm)	18-9/16\" (47.15 cm)	28-5/8\" (72.71 cm)



*Modelos de Acero Inoxidable con Manijas Minimalistas - 4 1/2\" con Manijas Statement - 4 5/8\"

Guía de Diseño - Instalación de Acero Inoxidable

INSTRUCCIONES BÁSICAS DE PERSONALIZACIÓN:

Refrigeradores recubiertos de Acero Inoxidable

Los refrigeradores recubiertos de acero inoxidable cuentan con puertas recubiertas y un panel con rejilla, extremos biselados, y manijas tubulares de acero inoxidable que se coordinan con otros electrodomésticos de Monogram. Estos modelos son enviados ya listos para su instalación. Estos modelos no incluyen manijas.



Statement Handle
ZKSS2H2PNSS



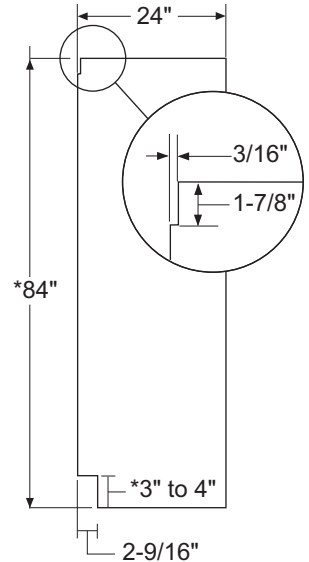
Minimalist Handle
ZKSS2H2CNSS

*Manijas Opcionales – Al ordenar este producto, asegúrese de usar el número de modelo asociado con la manija elegida.

PANELES LATERALES

Los paneles laterales deberán ser usados siempre que los laterales del refrigerador queden expuestos. Los paneles laterales de $\frac{1}{4}$ " (0.63 cm) se deslizarán por el marco de la carcasa lateral. Asegure los paneles al refrigerador con cinta de sujeción de vecro. Ordene los paneles laterales al fabricante de gabinetes.

- Haga un agujero en la esquina frontal derecha como se muestra, a fin de dejar espacio para las teclas de la esquina frente al marco lateral.

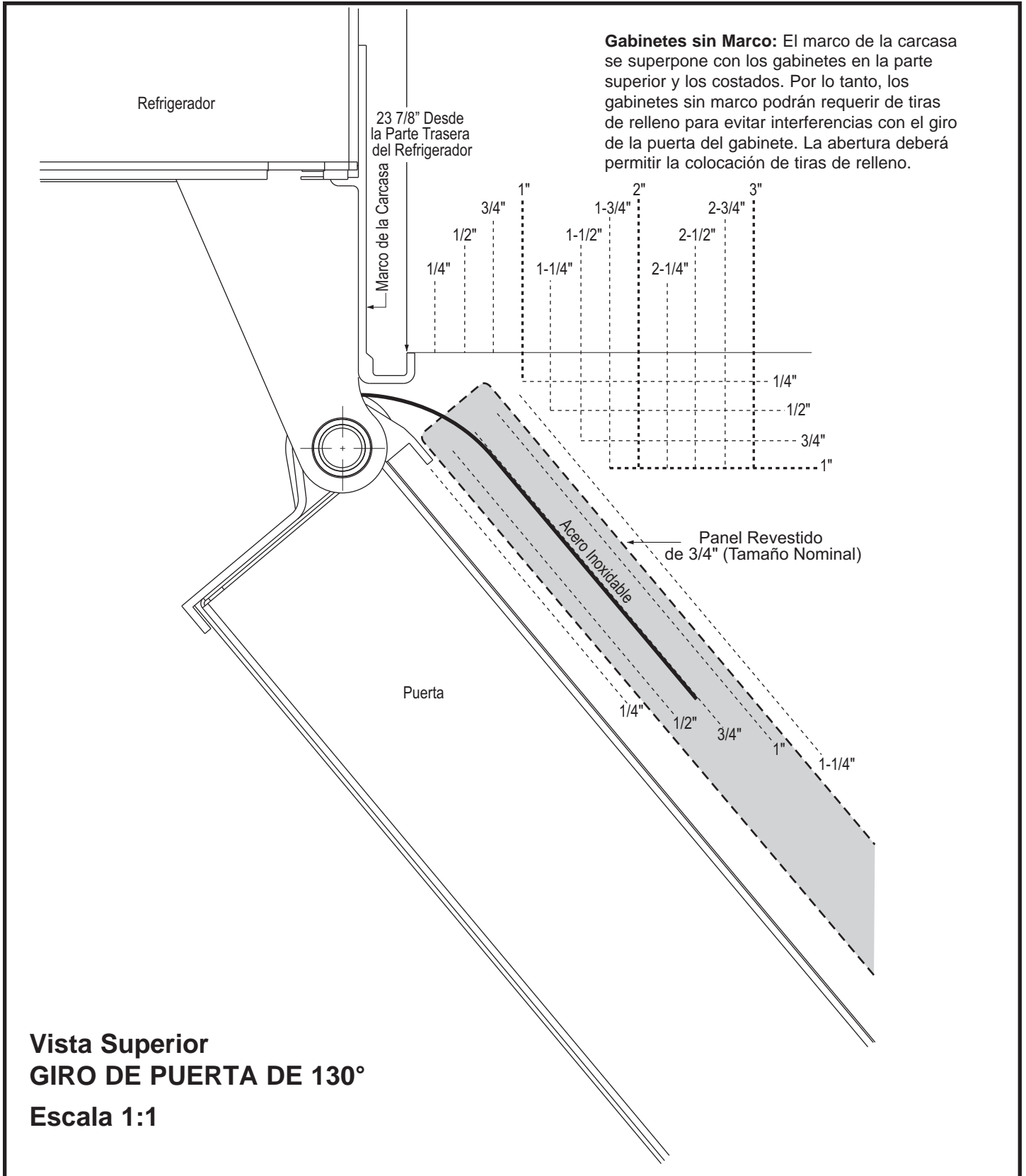


* Dependiendo de la altura de la instalación.

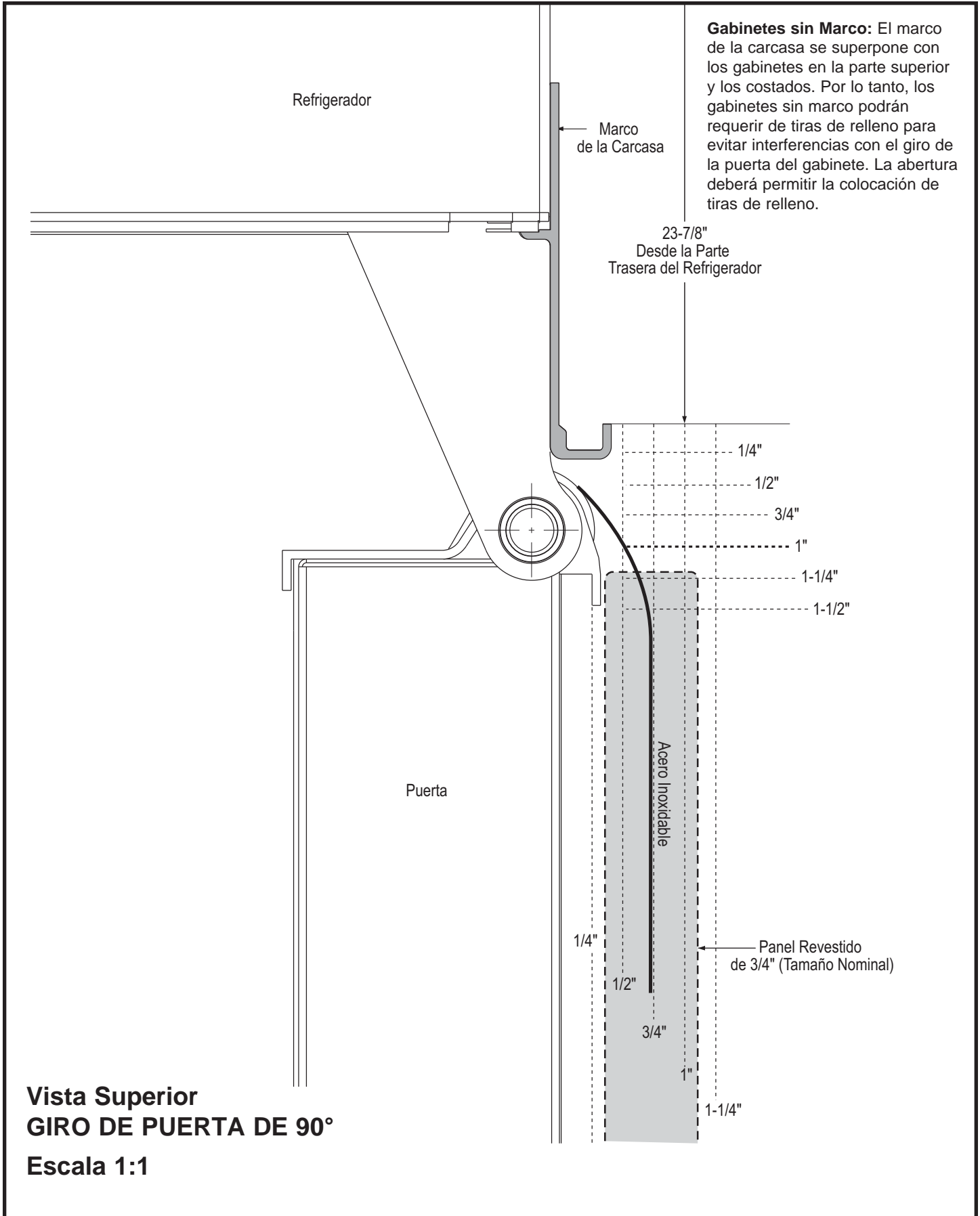
UBICACIÓN DEL REFRIGERADOR

- No instale el refrigerador en lugares donde la temperatura sea inferior a los 55°F (13°C). Éste no funcionará con la frecuencia suficiente como para mantener las temperaturas apropiadas.
- No instale el refrigerador en lugares donde la temperatura sea superior a los 100°F (37°C). Éste no funcionará correctamente.
- No instale el refrigerador en una ubicación expuesta al agua (lluvia, etc.) o en contacto directo con la luz solar.
- Instale el mismo en un piso lo suficientemente fuerte como para soportarlo completamente cargado.

Guía de Diseño - Instalación de Acero Inoxidable



Guía de Diseño - Instalación de Acero Inoxidable



Instrucciones de instalación - Instalación de Acero Inoxidable

HERRAMIENTAS Y MATERIALES NECESARIAS

- Tijeras cortachapa para cortar bandas
- Escalera de dos hojas
- Extensión de broca de 1"
- Cinta métrica
- Guantes
- Tornillos para Panel de Yeso de 1/4"
- Balde de 5 galones con tapa
- Nivel de agua de 6"
- Carro Manual para Electrodomésticos
- Cortatubos
- Llave de tuercas de 7/16"
- Destornillador Phillips nº2
- Taladro y brocas apropiadas
- Enchufe de 5/16", 7/16"
- Gafas de seguridad
- Llave de tuercas de 1 1/4"
- Pinzas
- Combo de Llave de Tubo de 1/4", 5/16"
- Soporte Anti Volcaduras de 2 x 4 de 35" de longitud
- Tubería de cobre para suministro de agua de 1/4" o kits de Tuberías para Refrigerador SmartConnect™
- Válvula de cierre de agua
- Tornillos para asegurar el refrigerador a los gabinetes
- Cintas de ajuste de velcro para paneles laterales de 1/4"

MATERIALES SUMINISTRADOS

- Tapón del bypass del filtro de agua (en algunos modelos)
- Zócalo
- Tuerca y abrazadera de refuerzo de 1/4"

PISO

Para una instalación correcta, el refrigerador se deberá ubicar en una superficie nivelada de material duro que posea la misma altura en el resto del piso. Esta superficie deberá ser lo suficientemente fuerte como para resistir el peso de un refrigerador totalmente cargado, o aproximadamente 1500 libras (680.39 kg.).

NOTA: Proteja el acabado del piso. Corte una sección amplia de cartón y coloque la misma debajo del refrigerador donde se encuentra trabajando.

CONEXIÓN A TIERRA DEL REFRIGERADOR

⚠ ADVERTENCIA



Riesgo de Descarga

Eléctrica

Si no se siguen estas instrucciones, se podrá producir la muerte, incendios o descargas eléctricas.

El cable de corriente de este electrodoméstico cuenta con un enchufe de 3 cables (conexión a tierra) que se conecta a un tomacorriente de pared estándar de 3 cables (conexión a tierra) para minimizar el riesgo de posibles descargas eléctricas por parte del mismo.

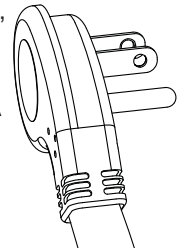
Contrate a un electricista calificado para que controle el tomacorriente y el circuito eléctrico, a fin de asegurar que el enchufe esté correctamente conectado a tierra.

En caso de contar con un tomacorriente de pared de 2 cables, es su responsabilidad y obligación reemplazarlo por un tomacorriente de pared de 3 cables correctamente conectado a tierra.

NUNCA, BAJO NINGUNA CIRCUNSTANCIA, CORTE NI ELIMINE EL TERCER CABLE (TIERRA) DEL CABLE DE CORRIENTE.

NO USE UN ENCHUFE ADAPTADOR PARA CONECTAR EL REFRIGERADOR A UN TOMACORRIENTE DE 2 PATAS.

NO USE UN PROLONGADOR CON ESTE ELECTRODOMÉSTICO.



PASO 1 RETIRE EL EMBALAJE

⚠ ADVERTENCIA



Riesgo de Caídas

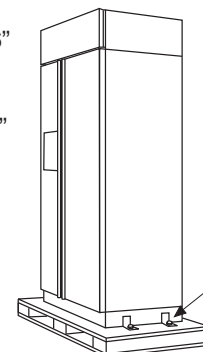
El refrigerador es mucho más pesado en su parte superior que en su parte inferior – tenga cuidado al moverlo. Al usar un carro manual, sosténgalo de costado únicamente.

- De forma cuidadosa, corte las bandas en la parte superior e inferior, y retire el cartón externo.
- Deslice hacia afuera los postes de las esquinas traseras (2).
- Deslice el cartón fuera de la parte superior del gabinete.

NOTA: ¡NO ES NECESARIO APOYAR EL GABINETE PARA RETIRAR EL ANTIDESLIZANTE!

- La unidad se encuentra asegurada al antideslizante por 4 cintas de amarre ranuradas. Retire los seis tornillos de 7/16" de los canales de la base en los amarres.
- Retire los seis tornillos de 7/16" que aseguran las cintas al antideslizante.

NOTA: NO INTENTE HACER RODAR LA UNIDAD FUERA DEL ANTIDESLIZANTE.



Eliminar amarres


Instrucciones de instalación - Instalación de Acero Inoxidable

PASO 2 TRANSPORTE EL REFRIGERADOR A SU HOGAR

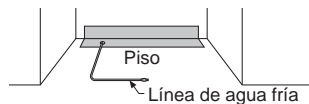
- Vuelva a usar los postes de las esquinas del embalaje para proteger los modelos de acero inoxidable. Haga pasar las cintas del carro para electrodoméstico sobre los postes y debajo de las manijas.
- Deje cualquier película protectora sobre el refrigerador hasta que la instalación sea completada. **IMPORTANTE:** Nunca levante el refrigerador tomando la manija del mismo ni presione contra el panel de la rejilla; esto podría ocasionar daños o desalineaciones.
- Evite apoyar la unidad sobre su parte trasera o lateral, a fin de evitar restricciones sobre el sistema sellado.

PASO 3 INSTALE EL SUMINISTRO DE AGUA

⚠ ADVERTENCIA Realice la conexión a un suministro de agua potable únicamente. Se requiere un suministro de agua fría para el funcionamiento de la máquina de helos automática y de la jarra de llenado automático. La presión del agua deberá estar entre 40 y 120 p.s.i. (275 – 827 kPa).

⚠ ADVERTENCIA  PELIGRO DE DESCARGA ELÉCTRICA
Adhiera la abrazadera de la tubería usando el agujero existente únicamente. NO perfore el refrigerador.

- Se requiere un suministro de agua fría para el funcionamiento de la máquina de hielo automática. La presión del agua deberá ser de entre 40 y 120 p.s.i. (275-827 kPa).
- Haga circular una tubería de cobre con un diámetro externo de 1/4" o una tubería de plástico SmartConnect™ entre la tubería de agua fría del hogar y la ubicación de la conexión de agua.



- La tubería deberá ser de una extensión suficiente como para llegar hasta el frente del refrigerador. Deje una cantidad de tubería suficiente como para hacer una inclinación que llegue hasta la conexión de la tubería de agua.

NOTA: La única tubería de plástico aprobada por Monogram es suministrada en los Kits de Tuberías para Refrigerador de SmartConnect™. No use ninguna otra tubería de suministro de agua plástica, ya que la tubería se encuentra bajo presión en todo momento. Otros tipos de plásticos podrán sufrir fisuras o roturas con el paso del tiempo y ocasionar problemas con el agua en su hogar.

Los Kits de Tuberías para Refrigerador de SmartConnect™ están disponibles en las siguientes longitudes:

2' (.6 m)	WX08X10002	8' (2.4 m)	WX08X10006
15' (4.6 m)	WX08X10015	25' (7.6 m)	WX08X10025

PASO 3 INSTALE EL SUMINISTRO DE AGUA

Cierre el suministro principal de agua.

Abra el grifo más cercano durante un tiempo suficiente como para despejar la tubería de agua.

- Instale una válvula de cierre entre la válvula de agua de la máquina de hielo y la tubería de agua fría en un punto bajo o en un gabinete. La válvula de cierre deberá ser ubicada donde sea de fácil acceso.
- Abra el suministro de agua principal y deje correr la suciedad. Deje correr aproximadamente un cuarto de galón de agua a través de la tubería a un balde. Cierre el suministro de agua desde la válvula de cierre.

NOTA: Muchos kits de suministro de agua incluyen válvulas de cierre tipo montura, pero no se recomiendan para esta aplicación.

NOTA: Se deberá cumplir con los Códigos de Plomería del Commonwealth de Massachusetts 248CMR. Las válvulas tipo montura son ilegales y su uso está prohibido en Massachusetts. Consulte a un plomero matriculado.

PASO 4 INSTALACIÓN DE LA TUBERÍA DE AGUA CON SISTEMA DE ÓSMOSIS INVERSA U OTRO SISTEMA DE FILTRACIÓN HOGAREÑO

Saltee este paso si no usará un sistema RO u otro sistema de filtración hogareño.

Si el suministro de agua al refrigerador es desde un sistema de filtración hogareño, utilice el tapón del bypass del filtro del refrigerador. El uso del cartucho de filtración de agua del refrigerador junto con el filtro RO podrá producir cubos de hielo huecos.



Gire en Dirección Antihoraria para Retirar



Tapón de Bypass del Filtro

Para acceder a un tapón del bypass gratuito, visite monogram.com o llame al 800.444.1845. En Canadá, visite monogram.ca o llame al 800.661.1616. El tapón del bypass se debe instalar de la misma forma que el cartucho del filtro.

La máquina de hielo no funcionará sin el filtro o el tapón del bypass del filtro.

PASO 5 INSTALE LOS PANELES LATERALES

Saltee este paso cuando no use los paneles laterales.

Si usará paneles laterales de 1/4" (0.63), deberán ser insertados en el marco de la carcasa. Ajuste los paneles al refrigerador con cintas de sujeción de velcro, antes de establecer el refrigerador en su posición.

Instrucciones de instalación - Instalación de Acero Inoxidable

PASO 6 PROCEDIMIENTO ANTI-VOLCADURAS

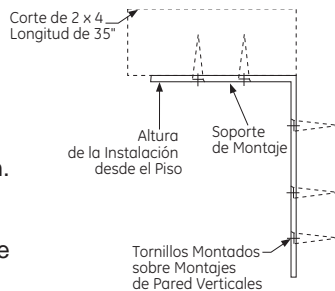
⚠ ADVERTENCIA



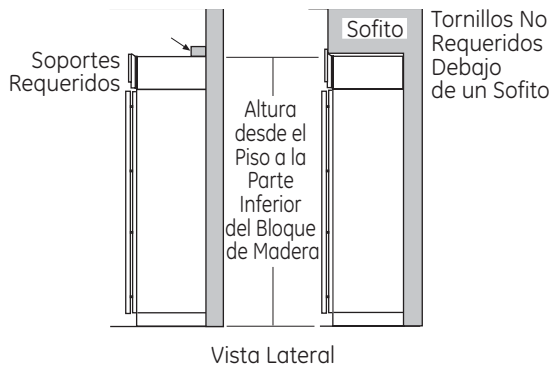
Riesgo de Caídas

Estos refrigeradores son inestables, especialmente cuando una puerta se encuentre abierta, y deberán estar asegurados a fin de evitar caídas hacia adelante que podrían resultar en la muerte o en lesiones graves. Lea y siga las instrucciones de instalación en su totalidad para asegurar el refrigerador con el sistema anti volcaduras.

- Corte un bloque de 2" x 4", de 35" (88.9 cm) de longitud y asegure dicho bloque a los soportes de montaje provistos usando tornillos de madera n° 12 y n° 14.
- Asegure el soporte con un bloque de madera sobre la pared trasera, de modo que posea 84" (213.36 cm) desde el piso terminado. Use tornillos de madera n° 12 y n° 14. Lea la ilustración.
- Los tornillos deberán penetrar por lo menos una pulgada en los montantes de pared.
- Si se utilizan montantes de pared metálicos, use tornillos autorroscantes para lámina metálica en lugar de tornillos de madera.



IMPORTANTE: Cuando el refrigerador sea instalado debajo de un soffito o si no se cuenta con suficiente altura para este método de seguridad, no se podrán usar soportes. Proceda al paso 7 para nivelar el refrigerador y luego al paso 8 para asegurar el refrigerador a los gabinetes. El refrigerador deberá quedar asegurado a fin de evitar volcaduras.



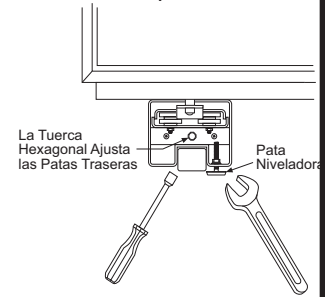
Conecte el Cable de Corriente:

- Antes de empujar el refrigerador hasta la abertura, enchufe el cable de corriente en el receptáculo. Abra el panel con la rejilla sobre la izquierda y alcance la abertura en la parte trasera para tomar el cable de corriente. Empuje el cable de corriente sobre la abertura a medida que empuja el refrigerador hacia atrás.
- De forma suave, empuje el refrigerador sobre la abertura con las manos contra las esquinas frontales.

PASO 7 NIVELE EL REFRIGERADOR

Todos los modelos cuentan con 4 puntos de nivelación. La parte frontal está apoyada sobre patas niveladoras; la parte trasera está apoyada sobre ruedas ajustables. Es posible acceder a ambas desde la parte frontal del refrigerador.

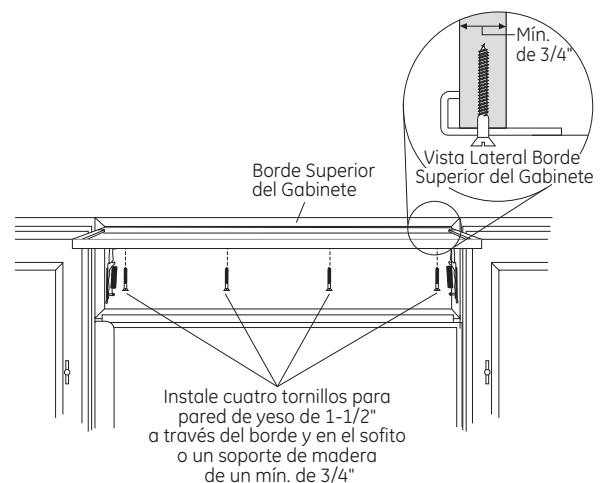
- A fin de nivelar la parte trasera del refrigerador, gire la tuerca hexagonal de 7/16" que se encuentra ubicada sobre las ruedas frontales. Gire en dirección horaria para elevar el refrigerador, y en dirección antihoraria para bajar el mismo.
- Para nivelar la parte frontal, use una llave de boca de 1 1/4" (3.175 cm).
- Ajuste la altura del refrigerador para que coincida con la abertura del espacio libre de la instalación de 84 1/2" (214.63 cm). El refrigerador deberá estar nivelado y correctamente instalado entre los muebles de cocina.



AVISO : Las ruedas niveladoras traseras y las patas niveladoras frontales cuentan con un límite de ajuste de altura máxima de 1". Si en la instalación se requiere una altura superior a 84 1/2" (214.63 cm), el instalador deberá elevar el refrigerador sobre una lámina de contrachapado o correderas. También se podrá agregar un marco para gabinetes a través de la parte superior de la abertura, a fin de acortar esta última. **Si intenta elevar el refrigerador más de 1" (2.54 cm), dañará las patas niveladoras frontales y las ruedas niveladoras traseras. Realice ajustes por incrementos pequeños.**

PASO 8 PROCEDIMIENTO ANTI-VOLCADURAS ALTERNATIVO

El refrigerador deberá quedar asegurado a fin de evitar volcaduras.

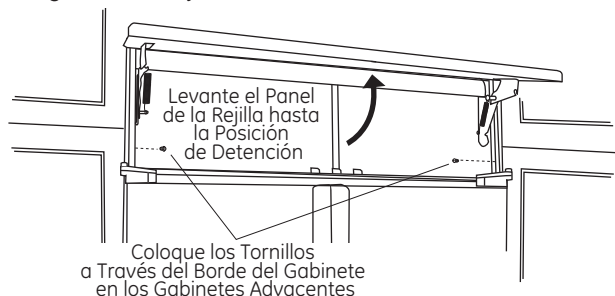


- Eleve el panel de rejilla para acceder al marco de la carcasa.
- Use una broca de 3/16" para perforar cuatro agujeros en el espacio libre espaciado de forma pareja a través del marco de la carcasa metálica superior.

Instrucciones de instalación - Instalación de Acero Inoxidable

PASO 8 PROCEDIMIENTO ANTI-VOLCADURAS ALTERNATIVO (Cont.)

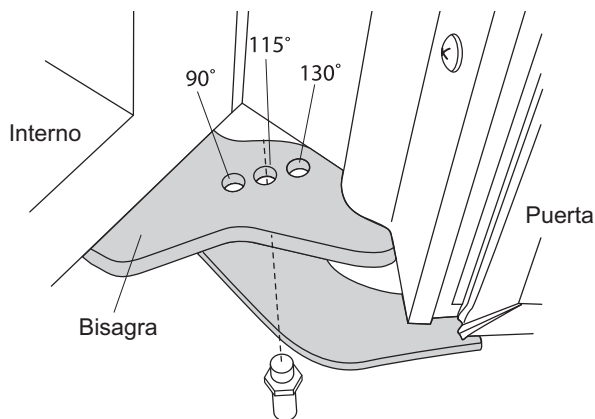
- Use una broca de 1/16" para perforar agujeros piloto a través de los agujeros metálicos en el espacio libre y en el soffito de madera. Los agujeros deberán estar centrados en el soffito o en un soporte de madera de un mínimo de ¾. El soporte que abarca el cercado deberá estar ajustado de forma segura a los gabinetes sobre ambos lados.
- Instale cuatro tornillos para panel de yeso de 1 ½" (3.81 cm) en los agujeros piloto.
- Coloque los tornillos a través del marco de la carcasa hasta los gabinetes adyacentes.



PASO 9 AJUSTE EL GIRO DE LA PUERTA

NOTA: El refrigerador cuenta con una detención de la puerta de 3 posiciones. Cuando el espacio no permita que la puerta gire completamente hasta los 115°, podrá cambiar el giro de puerta a una apertura de 90°. Un giro de puerta de 130° está disponible para la instalación estándar únicamente. Si se usa para una instalación nivelada, se dañarán los paneles de madera. **Si la apertura de la puerta es satisfactoria para su situación durante la instalación, saltee este paso.**

- Abra la puerta para visualizar la bisagra inferior. Observe las ubicaciones de los pernos de detención de la puerta. El perno fue instalado de fábrica en la posición de 115°.
- Cierre la puerta. Desde abajo, use una pinza para desenroscar la detención de la puerta y vuelva a instalar la misma en la posición de 130° o 90°.



PASO 10 REALICE LA CONEXIÓN AL SUMINISTRO DE AGUA

⚠ ADVERTENCIA Realice la conexión a un suministro de agua potable únicamente. Se requiere un suministro de agua fría para el funcionamiento de la máquina de hielos automática y de la jarra de llenado automático. La presión del agua deberá estar entre 40 y 120 p.s.i. (275 – 827 kPa).

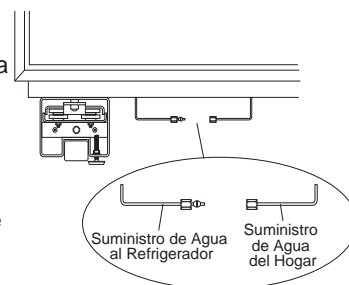
⚠ ADVERTENCIA PELIGRO DE DESCARGA ELÉCTRICA

Adhiera la abrazadera de la tubería usando el agujero existente únicamente. NO perforo el refrigerador.

- Encuentre y traiga la tubería al frente del gabinete.
- Abra y deje correr el agua a fin de eliminar desechos del suministro. Deje correr alrededor de un cuarto de galón de agua por la tubería a un balde; luego cierre el suministro de agua.

Tubería de Cobre:

- Coloque una tuerca de 1/4" y una abrazadera de refuerzo (provista) sobre ambos extremos de la tubería de cobre. Inserte la tubería en la unión con la unidad y ajuste la tuerca a la unión.
- Abra el suministro de agua para controlar que no haya pérdidas.



Tubería SmartConnect™:

NOTA: La única tubería de plástico aprobada por Monogram es suministrada en los Kits de Tuberías para Refrigerador de SmartConnect™. No use ninguna otra tubería de suministro de agua plástica, ya que la tubería se encuentra bajo presión en todo momento. Otros tipos de plásticos podrán sufrir fisuras o roturas con el paso del tiempo y ocasionar problemas con el agua en su hogar.

Los Kits de Tuberías para Refrigerador de SmartConnect™ están disponibles en las siguientes longitudes:

2' (.6 m) WX08X10002

8' (2.4 m) WX08X10006

15' (4.6 m) WX08X10015

25' (7.6 m) WX08X10025

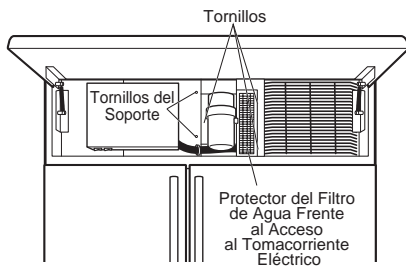
- Inserte el extremo moldeado de la tubería en la conexión del refrigerador. Ajuste la tuerca de compresión hasta que quede fijada sólo con la presión manual.
- Realice un ajuste adicional con un giro de llave. ¡Un ajuste excesivo podrá ocasionar pérdidas!
- Abra el suministro de agua para controlar que no haya pérdidas.
- Haga funcionar el dispensador, si está disponible, durante 2 minutos o deje correr 1 galón de agua. Es normal que el dispensador produzca chorros durante las primeras pocas tazas.

NOTA: Asegúrese de que un exceso de la longitud de la tubería no interfiera con la instalación del zócalo.

Instrucciones de instalación - Instalación de Acero Inoxidable

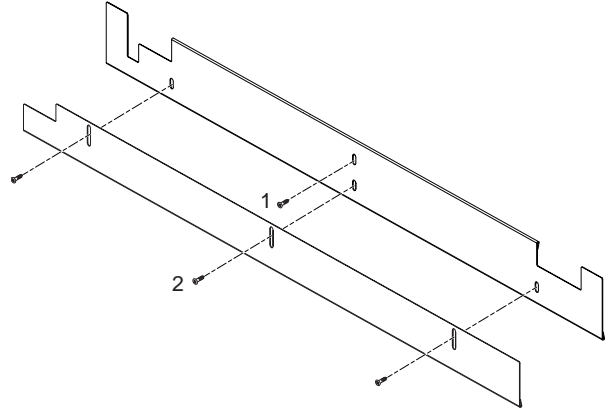
PASO 11 CONECTE LA CORRIENTE, CIERRE EL PANEL DE LA REJILLA

- Abra el panel de la rejilla.
- Enchufe el cable de corriente (de ser necesario) llegando hasta la abertura próxima al filtro de agua. Será necesario retirar el protector del filtro de agua para tener acceso (en algunos modelos). Retire los 3 tornillos sosteniendo el mismo en su posición. Si el acceso aún se encuentra demasiado ajustado, retire los 2 tornillos que sostienen el soporte del filtro de agua y mueva éste hacia un lado. Enchufe el cable de corriente. Asegure el soporte y el protector con los tornillos originales.
- Realice un control para asegurar que la corriente que va al refrigerador está activada, abriendo la puerta del refrigerador para ver si las luces interiores están encendidas.
- Los controles de temperatura están preconfigurados en 37°F (3° C) para la sección de comidas frescas y en 0°F (-18°C) para el freezer.
- Permita que se establezca durante 24 horas antes de realizar ajustes.



PASO 13 INSTALE EL ZÓCALO

- Ubique los zócalos suministrados (encintados en el embalaje al costado del refrigerador).
- Adhiera el zócalo MÁS GRANDE al refrigerador usando ÚNICAMENTE el agujero superior central (1).
- Adhiera la falda del zócalo al refrigerador usando las tres ranuras inferiores (2).



- Se podrá instalar un zócalo a medida que coincida o se complemente con los muebles que estén alrededor. Use el zócalo suministrado como plantilla para realizar el corte de acuerdo a su forma.

PASO 12 ENCIENDA LA MÁQUINA DE HIELO

⚠ PRECAUCIÓN

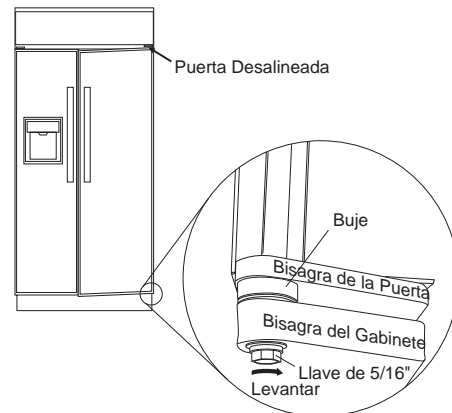
Para minimizar el riesgo de lesiones personales, evite el contacto con las partes móviles del mecanismo eyector o con el elemento de calefacción que libera los cubos. No coloque los dedos ni las manos en el mecanismo de la máquina de hielo automática mientras el electrodoméstico se encuentre enchufado.

- La máquina de hielos estará en ON (Encendido) cuando la unidad se enchufe.
- La máquina de hielos comenzará a funcionar automáticamente.
- Asegúrese de que nada interfiera con la extensión del interruptor de energía.
- Descarte el primer balde lleno de cubos de hielo.
- Para apagar la máquina de hielos, presione las teclas - y + del refrigerador en los controles de Fresh Food (Comida Fresca) durante 5 segundos. La pantalla mostrará ICE OFF (Hielo Apagado).
- Para volver a encender la máquina de hielos, presione las teclas - y + del refrigerador en los controles de Fresh Food (Comida Fresca) durante 5 segundos.

INSPECCIONE LA INSTALACIÓN FINAL

Controle la alineación de la puerta. Aléjese del refrigerador para inspeccionar la instalación final.

- Realice un control para asegurarse de que las manijas estén niveladas una con otra en la parte superior. Para ajustar, afloje los tornillos de la manija y deslice la misma hacia arriba o abajo. Ajuste los tornillos.
- Es posible que el envío o la adición de paneles de puerta pesados hayan ocasionado que las puertas se muevan levemente fuera de su alineación.



- De ser necesario, la puerta de comidas frescas podrá ser ajustada hacia arriba o abajo a fin de alinear la misma con la puerta del freezer.
- Use una llave de 5/16\" para ajustar el perno de la bisagra como se muestra.

Notas

NOTA: Al realizar las instalaciones descritas en este libro, se deberán usar anteojos o gafas de seguridad.

NOTA: Monogram se esfuerza de forma constante para mejorar sus productos. Por lo tanto, los materiales, el aspecto y las especificaciones están sujetos a cambios sin aviso previo.

