

# MONOGRAM 36" BUILT-IN SIDE-BY-SIDE REFRIGERATOR

## ZISS360DNSS



When ordering this product,  
be sure to use the model number  
associated with the chosen handle.



Statement handle  
ZKSS2H2PNSS



Minimalist handle  
ZKSS2H2CNSS

### MINIMALIST HANDLE

Model is shown with the Minimalist handle, which needs to be ordered separately. To order this handle use model number ZKSS2H2CNSS.

### ADVANCED TEMPERATURE MANAGEMENT SYSTEM WITH MULTI-SHELF AIR TOWER

Provides even distribution of air throughout the refrigerator

### CLIMATE-CONTROL DRAWER

Allows you to express-chill beverages, express-thaw meats and select specific temperatures for perishable foods

### WIFI CONNECT

Enjoy the convenience and freedom of wirelessly controlling functions from your smartphone

### LED LIGHTING

Light columns in the freezer and fresh food compartments extend the full length of the interior and LED lighting located inside the vegetable and climate-control drawers illuminate contents without compromising space

### TRUE STAINLESS DISPENSER

Designed to accommodate glassware of all sizes, from pitchers to tumbler

### GE® WATER FILTER

Has been moved from the fresh food compartment to the overhead cabinet, where it is discreetly out of sight

### DELI DRAWER ON FULL-EXTENSION SLIDES

Keeps meats, cheeses and other everyday foods within easy reach

### SEALED VEGETABLE DRAWER

Helps preserve the freshness of foods

### ADJUSTABLE GLASS SHELVES

Easily accommodate party trays and platters

### SABBATH MODE

Designed to disable functions in accordance with Sabbath-observing practices



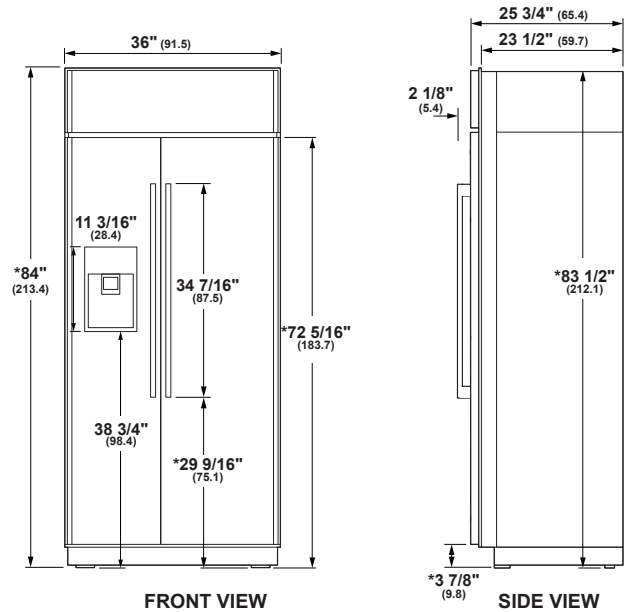
**SPECIFICATIONS**

Overall Width	36" (91.44 cm)
Overall Height	84" (213.36 cm)
Overall Depth	25 3/4" (65.41 cm)
Door Clearance	20 5/8" (52.4 cm)
Cutout Width	35 1/2" (90.2 cm)
Cutout Height	83 1/2" - 84 1/2" (212.1 - 214.6 cm)
Cutout Depth	24" (61 cm)
Plumbing Requirements	1/4" OD copper tubing or GE SmartConnect kit
Shipping Weight	675 lb

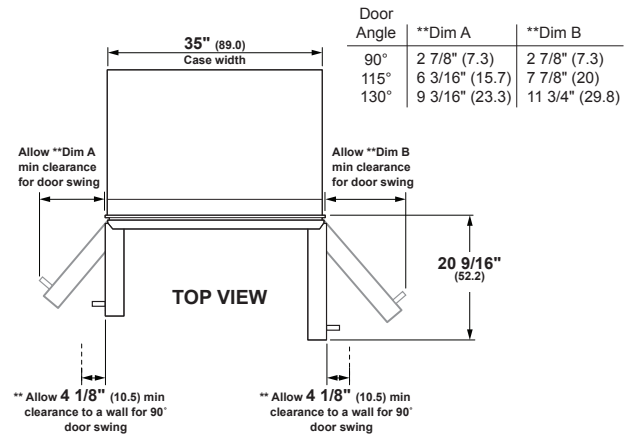
**ATTENTION ELECTRICIAN:**

A 115 volt 60Hz, 15 or 20 amp power supply is required. An individual properly grounded branch circuit or circuit breaker is recommended. Install a properly grounded 3-prong electrical receptacle recessed into the back wall.

**OVERALL DIMENSIONS**



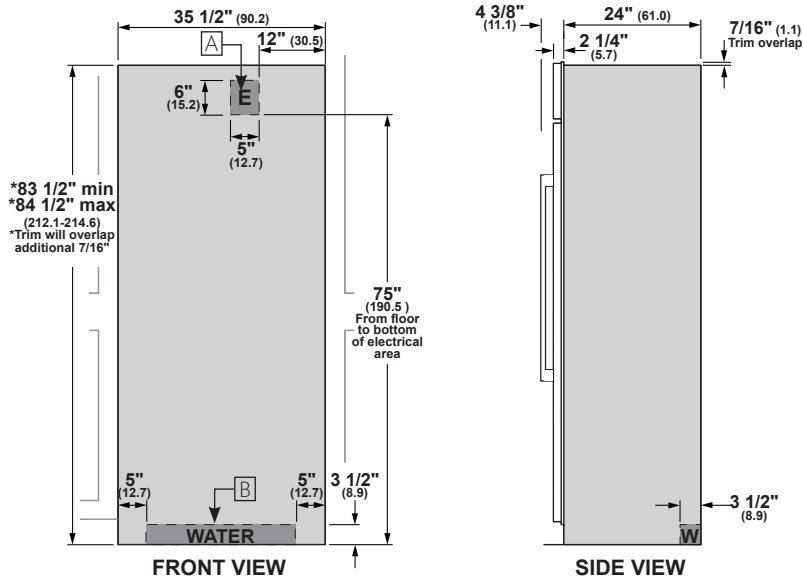
\* Shipping height. Use leveling legs and wheels for maximum 1" height adjustment from shipping height.



\*\* These refrigerators are equipped with a 3-position door stop. The factory-set 115° door swing can be adjusted to 90° if clearances to adjacent cabinets or walls is restricted. Allow full 130° door swings for pan removal. If the 90° door stop position is used, pan access is maintained, but pan removal is restricted.

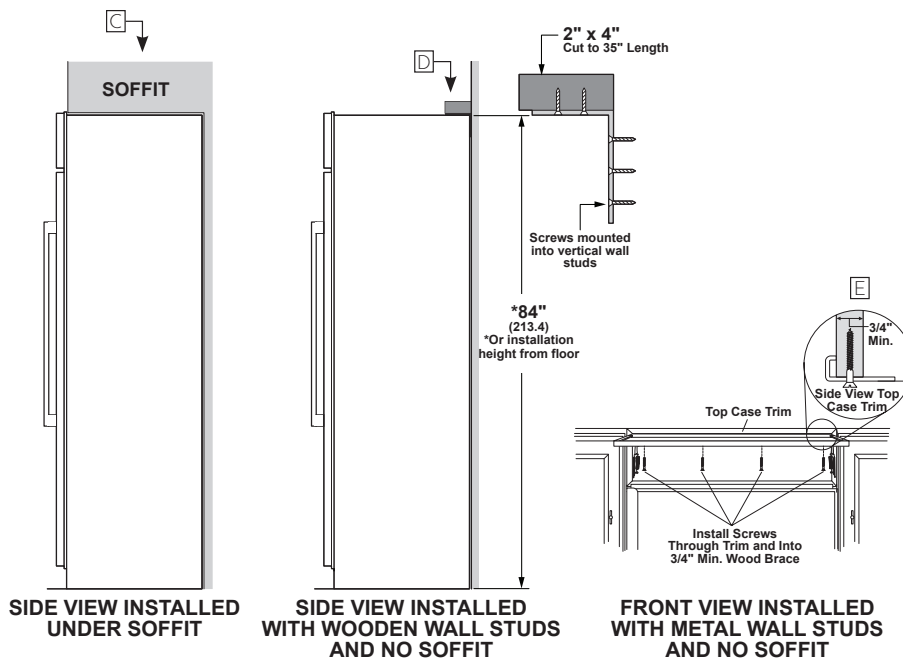
Dimensions in parentheses are in centimeters unless otherwise noted. Actual product dimensions may vary due to manufacturing tolerances.

## STANDARD INSTALLATION



The refrigerator will project forward, slightly beyond adjacent cabinetry.

## ANTI-TIP BRACKET



## HELPFUL TIPS

**A** Mounting the junction box in this location will also allow for front accessibility through access panel.

**B** Water supply area.

### ⚠ WARNING:

The refrigerator is top heavy and must be secured to prevent the possibility of tipping forward. Failure to do so may result in death or serious injury.

The information below is for cabinet design only. When installing the anti-tip system you must use the product installation instructions.

Determine your installation construction and required anti-tip configuration:

**C** Installed Under Soffit  
After installing unit into installation opening, raise grille panel and screw metal case sides to adjacent cabinet. When installed under a soffit, the soffit cannot exceed 24" deep. The top case trim overlaps the bottom of the soffit.

**D** Wooden Wall Studs and No Soffit

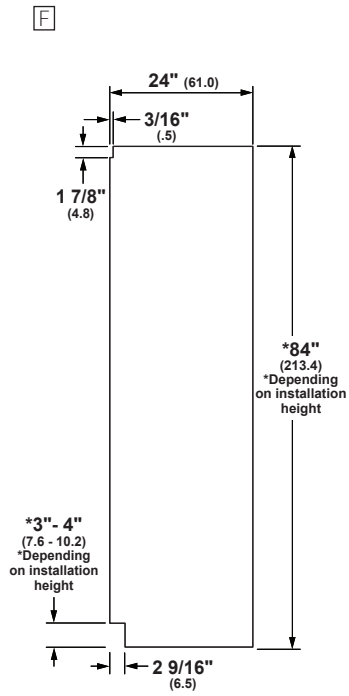
- Cut a 2" x 4" block and secure to brackets provided.
- Secure brackets to back wall of opening at 84" or your installation height from the floor.

**E** Metal Wall Studs and No Soffit  
This method requires securely fastened cabinets on both sides and a 3/4" minimum wood brace above unit, with its front surface 24" from back wall.

- After installing unit into opening, raise grille panel and attach metal case top trim to 3/4" minimum wood brace.
- The brace spanning the enclosure must be securely fastened to cabinets on both sides.

See Installation Instructions for detailed instructions.

CUSTOM SIDE PANELS



HELPFUL TIPS

- F Side panels must be used whenever the sides of the refrigerator will be exposed. The 1/4" side panels will slip into the side case trim. Secure the panels to the refrigerator with stick-on hook and loop fastener strips. Order the side panels from the cabinet manufacturer.