

# Top of 80" Panel

84" Panel will extend above this template

## Directions For Using Templates:

1. Align template bottom with bottom of door/drawer panel.
2. Tape the template of the door/drawer panel.
3. Drill all of 0.125" pilot holes.
4. Remove the template from the panel.

# Solid Door Template Custom Panel

Pilot holes 0.125" diameter, 0.300" depth

Important: Before drilling holes for brackets, please make sure they do not line up with thin areas on the panel.

45 - 3/8" (1152.5 mm)

24 - 7/16" (620.5 mm)

13 - 1/2" (342.3 mm)

3/4" (20 mm)

1/2" (12 mm)

G1

3 - 5/16" (84 mm)

2 - 7/16" (62 mm)

1/2" (12 mm)

E1

8 - 13/16" (224 mm)

6" (152.4 mm)

ART IS CORRECT IN SIZE AND SCALE  
WHEN LINE LENGTH IS CORRECT

1/2" (12 mm)

A1

7/8" (22 mm)

3 - 5/16" (84 mm)

1/2" (12 mm)

G1

3/4" (20 mm)

24 - 7/16" (620.5 mm)

13 - 1/2" (342.3 mm)

2 - 7/16" (62 mm)

3 - 5/16" (84 mm)

1/2" (12 mm)

B1

8 - 13/16" (224 mm)

29 - 3/4" (755.6 mm)

23" (584 mm)

# Top of 80" Panel

84" Panel will extend above this template

## Directions For Using Templates:

1. Align template bottom with bottom of door/drawer panel.
2. Tape the template of the door/drawer panel.
3. Drill all of 0.125" pilot holes.
4. Remove the template from the panel.
5. Max window opening is 33-3/8"x23". Window opening may be smaller if desired.

# Glass Door Template Custom Panel

Pilot holes 0.125" diameter, 0.300" depth

Important: Before drilling holes for brackets, please make sure they do not line up with thin areas on the panel.

MAX WINDOW OPENING

D1

A1

G1

G1

E1

B1

45 - 3/8" (1152.5 mm)

24 - 7/16" (620.5 mm)

13 - 1/2" (342.3 mm)

8 - 13/16" (224 mm)

6" (152.25 mm)

33 - 3/8" (848 mm)

3 - 3/8" (85.8 mm)

24 - 7/16" (620.5 mm)

13 - 1/2" (342.3 mm)

8 - 13/16" (224 mm)

3 - 5/16" (84 mm)  
7/8" (22 mm)

1/2" (12 mm)

1/2" (12 mm)

7/8" (22 mm)  
3 - 5/16" (84 mm)

3/4" (20 mm)

1/2" (12 mm)

1/2" (12 mm)

3/4" (20 mm)

3 - 3/8" (85.8 mm)

3 - 5/16" (84 mm)  
2 - 7/16" (62 mm)

1/2" (12 mm)

2 - 7/16" (62 mm)  
3 - 5/16" (84 mm)

1/2" (12 mm)

6" (152.4 mm)  
ART IS CORRECT IN SIZE AND SCALE  
WHEN LINE LENGTH IS CORRECT

6" (152.25 mm)

31-1000150  
01-19

29 - 3/4" (755.6 mm)

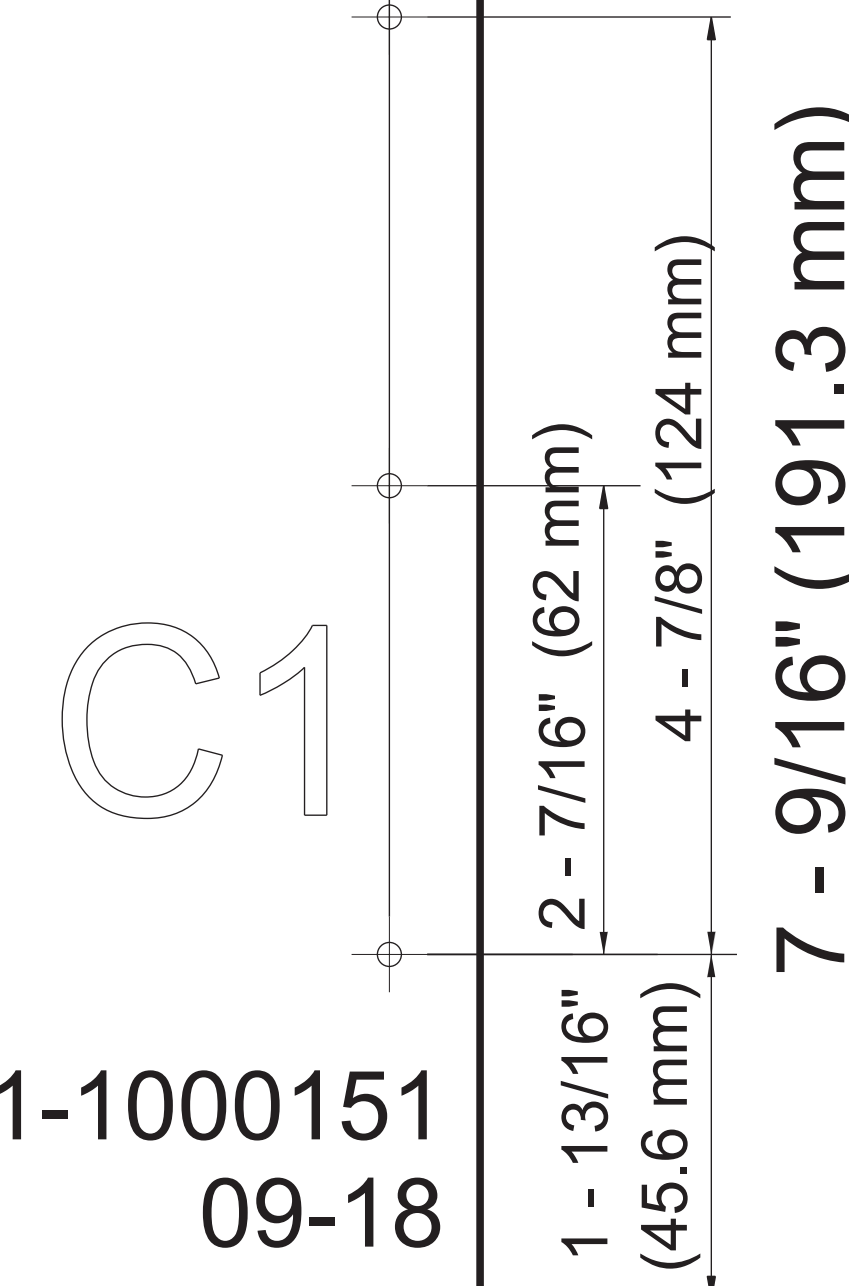
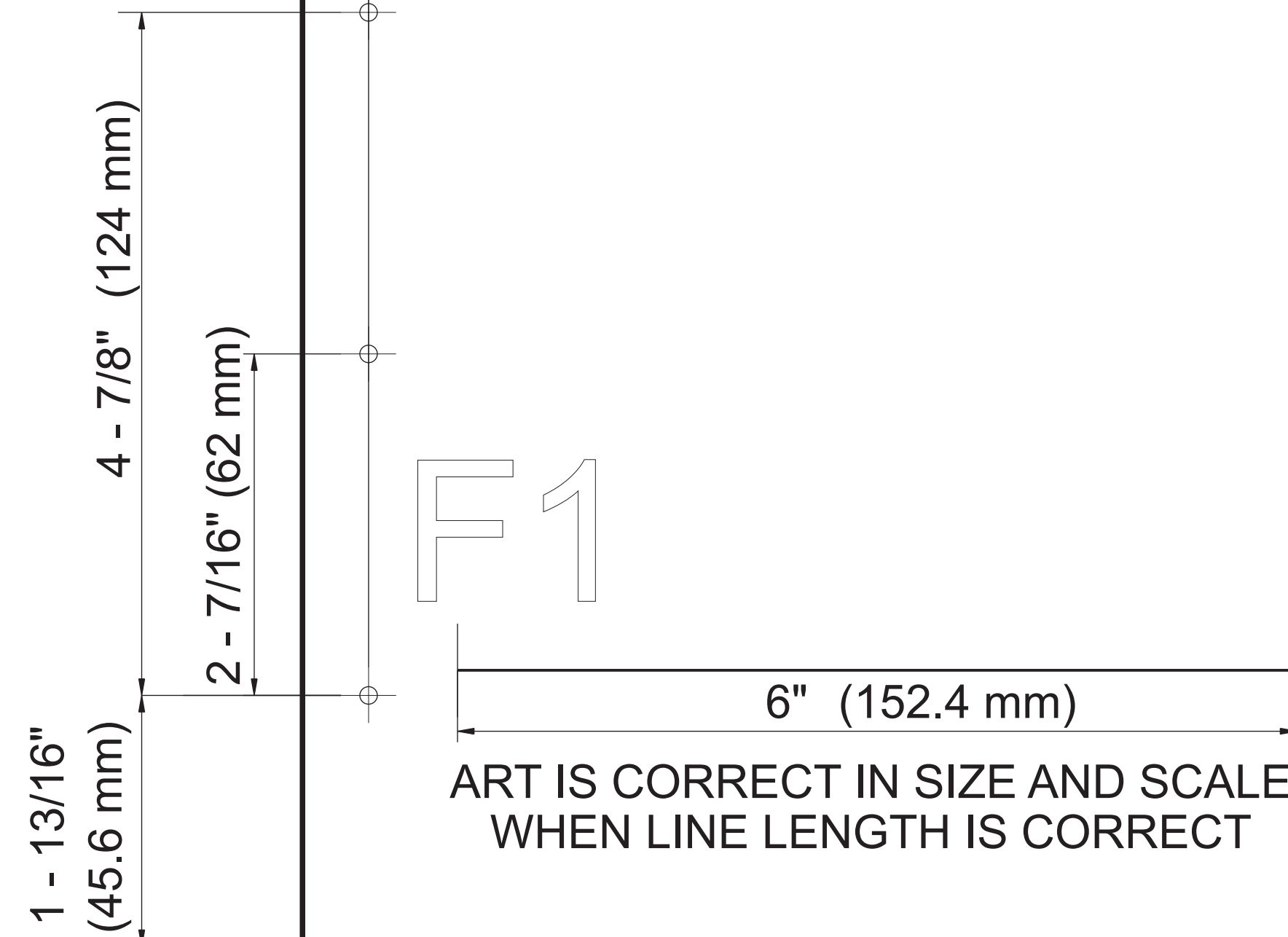
1/2" (12 mm)

1/2" (12 mm)

# Top of Panel Freezer Drawer Template Custom Panel

Pilot holes 0.125" diameter, 0.300" depth

Important: Before drilling holes for brackets, please make sure they do not line up with thin areas on the panel.



31-1000151  
09-18

BACK VIEW

29 - 3/4" (755.6 mm)

Top of Panel

# Customizable Drawer Template

## Custom Panel

Pilot holes 0.125" diameter, 0.300" depth

Important: Before drilling holes for brackets, please make sure they do not line up with thin areas on the panel.

22 - 3/4" (577.1 mm)

11 - 1/8" (282.7 mm)

7 - 7/16" (188.8 mm)

3 - 5/16" (84 mm)

7/8" (22 mm)

D1

1/2" (12 mm)

3 - 5/16" (84 mm)

2 - 7/16" (62 mm)

E1

1/2" (12 mm)

6" (152.4 mm)

ART IS CORRECT IN SIZE AND SCALE  
WHEN LINE LENGTH IS CORRECT

A1

7/8" (22 mm)

3 - 5/16" (84 mm)

1/2" (12 mm)

11 - 1/8" (282.7 mm)

B1

2 - 7/16" (62 mm)

3 - 5/16" (84 mm)

1/2" (12 mm)

7 - 7/16" (188.8 mm)

31-1000152  
09-18

BACK VIEW