

# MONOGRAM 30" FULLY INTEGRATED WINE REFRIGERATOR

ZIW303NPPII



## TWO-ZONE UPPER COMPARTMENT

Whether it's keeping red and white wines at the ideal serving temperature or letting bottles age, this meticulously-engineered refrigerator allows for the creation of two temperature-controlled zones for the perfect pour, every time

## STATEMENT AND MINIMALIST COLLECTION REFRIGERATOR HANDLES (SOLD SEPARATELY)

Designed to enhance choice and customization, Statement and Minimalist Collection refrigerators do not come with handles. Handles must be chosen separately and ordered through a Monogram representative

## CONVERTIBLE LOWER DRAWER

Choose whether the lower drawer is a freezer, a fresh food or a wine/beverage refrigerator, with independent temperature controls that enhance storage choice and flexibility

## HFC-FREE REFRIGERATOR

This environmentally-friendly refrigerator uses R600a refrigerant instead of hazardous hydrofluorocarbon (HFC) refrigerants

## FREEZER DRAWER WITH ELECTRONIC ICEMAKER

Designed with exceptional attention to detail, the freezer drawer includes a removable ice bin and scoop and can also accommodate freezer favorites, like a pint of creamy gelato

## EXPANSIVE WINE STORAGE CAPABILITIES

Perfect for wine aficionados, this flexible refrigerator can store up to 106 wine bottles when the lower convertible drawer is utilized

## LED INTERIOR LIGHTING

Delivering exceptional illumination, clean white LED lighting gradually brightens and dims when the refrigerator door or drawer is opened and closed, with side and top lighting further enhancing visibility

## SOFT-CLOSE, FULL-EXTENSION WINE RACKS

Precision engineered, full-extension wine racks provide smooth and easy access to every perfectly-chilled bottle

## PREMIUM WATER FILTRATION SYSTEM

Providing unparalleled performance, this superior water filtration system provides clean, fresh-tasting ice cubes for refreshingly healthy beverages

## IMPRESSIVELY STYLISH WINE RACKS

Designed to elevate the look of every wine collection, each of the seven wine racks is expertly crafted from stainless steel and FSC-certified beechwood

## SOFT-CLOSE FREEZER AND CONVERTIBLE DRAWERS

Taking luxury to the next level, beautifully-built freezer drawers slide smoothly and quietly into the shut position with just a touch

## CUSTOMIZABLE TOE KICK

Unifying the kitchen's stylish ambiance, a customizable panel can be fitted to the bottom of the refrigerator, complementing the rest of the cabinetry

## FOUR-POINT LEVELING SYSTEM

Providing style, symmetry and functionality, the four-point leveling system ensures the refrigerator is properly aligned with surrounding cabinetry

## ILLUMINATED, ELECTRONIC GLASS-TOUCH CONTROLS

Stylish and functional, illuminated touch-sensitive controls make it easy to adjust interior lighting, temperature, control lock, and all three climate zone settings

## INTEGRATED, PANEL-READY DESIGN

Defined by its details, the panel-ready design blends in seamlessly with surrounding cabinetry and accepts Minimalist or Statement Collection panels in 80- or 84-inch heights. Order separately from Monogram



**SPECIFICATIONS**

|                       |  |
|-----------------------|--|
| Overall Width         | 29 3/4" (75.6 cm)  |
| Overall Height        | 80 3/8" (204.2 cm)   |
| Overall Depth         | 23 3/4" (60.3 cm)  |
| Door Clearance at 90° | 36 3/4 in (93.3 cm)  |
| Cutout Width          | 30" (76.2 cm)  |
| Cutout Height         | 80" (203.2 cm) to 84" (213.4 cm)<br>depending on door choice |
| Cutout Depth          | 25" (63.5 cm)  |
| Plumbing Requirements | GE SmartConnect kit  |
| Net Weight (approx)   | 486 lb (220.4 kg)  |

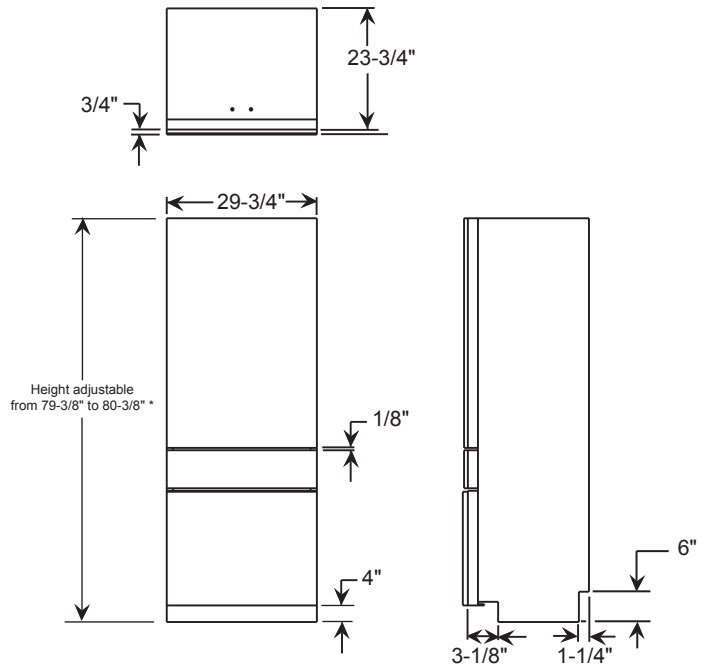
**ATTENTION ELECTRICIAN:**

A 115 volt 60Hz, 15 or 20 amp power supply is required. An individual properly grounded branch circuit or circuit breaker is recommended. For multiple unit installation, each unit requires separate individually properly grounded circuit or breaker and separate properly grounded 3-prong electrical receptacle recessed.

**WARNING:**

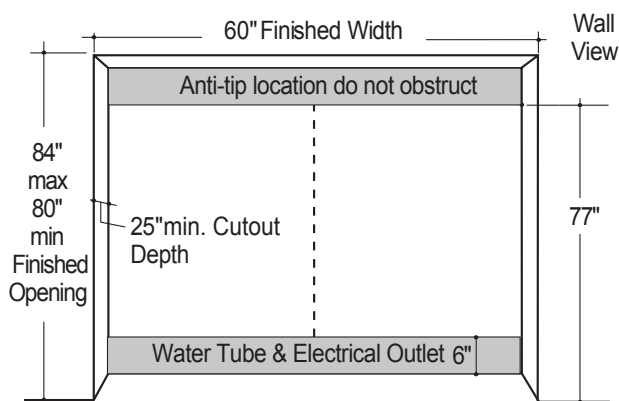
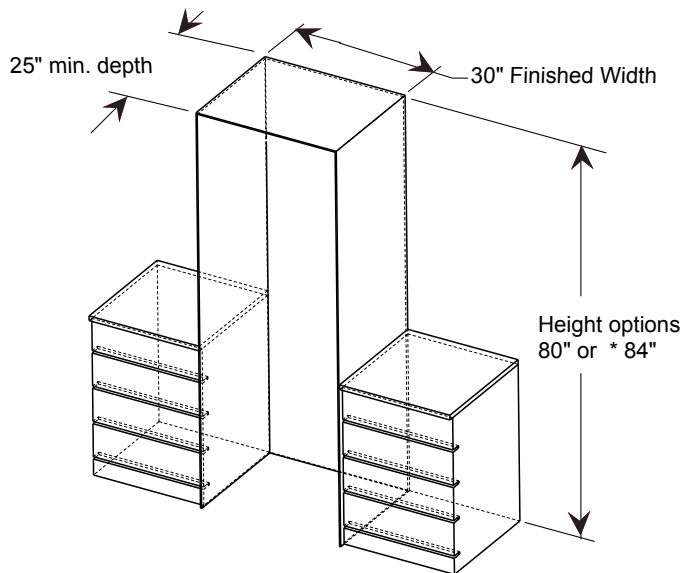
When installing appliance, you must use and follow the product installation instructions. These can be found with unit or on web at monogram.com.

**OVERALL DIMENSIONS**



Dimensions in parentheses are in centimeters unless otherwise noted. Actual product dimensions may vary due to manufacturing tolerances.

## SINGLE INSTALLATION



## THE INSTALLATION SPACE

The finished cutout width must be 30". The cutout depth must be 25" for flush installations.

- The front face of the refrigerator fits flush with 25" depth adjacent cabinets.

### ELECTRICAL

A 115V, 60Hz., 15 or 20 amp power supply is required. An individual properly grounded branch circuit or circuit breaker is recommended. Install a properly grounded 3-prong electrical receptacle recessed into the back wall. Electrical must be located on rear wall as shown.

**NOTE:** GFI (ground fault interrupter) is not recommended.

### WATER LINE

- A cold water supply is required for automatic icemaker operation. The water pressure must be between 40 and 120 p.s.i.
- Route 1/4" OD copper or GE SmartConnect™ plastic tubing between the house cold water line and the water connection location.
- Tubing should be long enough to extend to the front of the refrigerator. Allow enough tubing to accommodate a bend leading into the water line connection.
- Water line can enter an opening through the floor or back wall.
- Install a shut-off valve between the icemaker water valve and cold water supply in the home.

**NOTE:** When two units are placed side by side, order heater kit ZUG30.

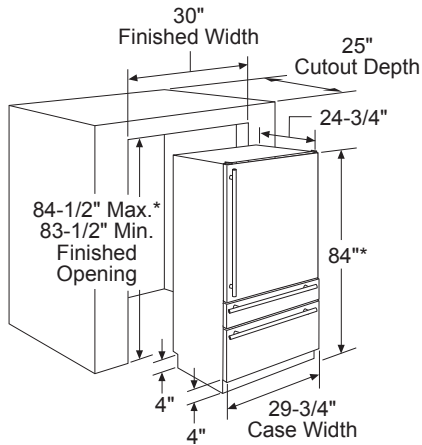
### ⚠ WARNING:

When installing appliance, you must use and follow the product installation instructions. These can be found with unit or on web at [monogram.com](http://monogram.com).

This document is intended for cabinet and panel construction only.

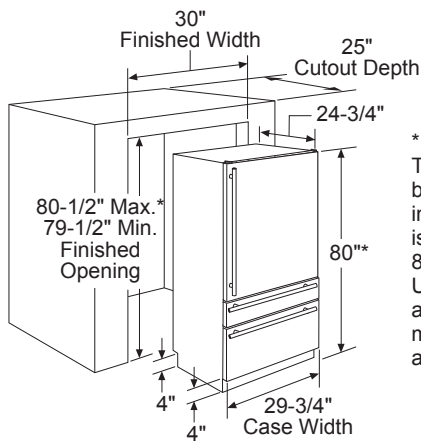
## INSTALLATION

### 84" HEIGHT INSTALLATION

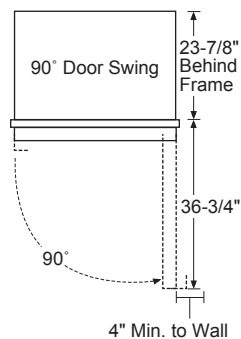
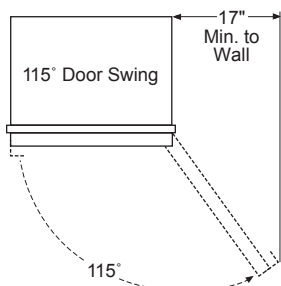


\* 84" High installation. The refrigerator can be adjusted to fit into a cutout that is 83-1/2" min. to 84-1/2" max with the appropriate door kit. Use leveling legs and wheels for a maximum 1" height adjustment.

### 80" HEIGHT INSTALLATION



\* 80" High installation. The refrigerator can be adjusted to fit into a cutout that is 79-1/2" min. to 80-1/2" max. height. Use leveling legs and wheels for a maximum 1" height adjustment.



## HELPFUL TIPS

### CUSTOMIZATION BASICS:

This refrigerator is factory set for a right hinged door swing. The door swing is reversible. Choose an RH model with hinge on the right side; the door swings left to right. Choose an LH model with hinge on the left side; the door will swing right to left.

### NOTE:

For 84" panels, the top space behind the top panel can be enclosed with wood and stained by the cabinet maker to match adjacent cabinetry.

### DOOR HANDLES

Custom handles of your choice, supplied by your cabinetmaker, can be installed. If desired, you may order the Monogram Contemporary or Pro stainless steel handle kits for custom panels.

### OPTIONAL ACCESSORY KITS

- ZUG30: For side-by-side installation
- Minimalist Collection Handle Kit: ZKGC3H3CNSS
- Statement Collection Handle Kit: ZKGC3H3PNSS

### DOOR SWING CLEARANCES

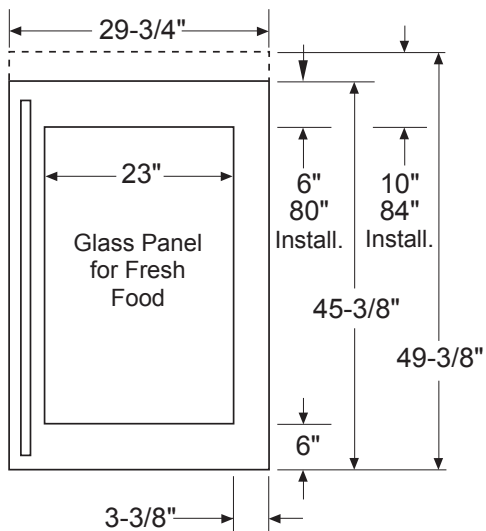
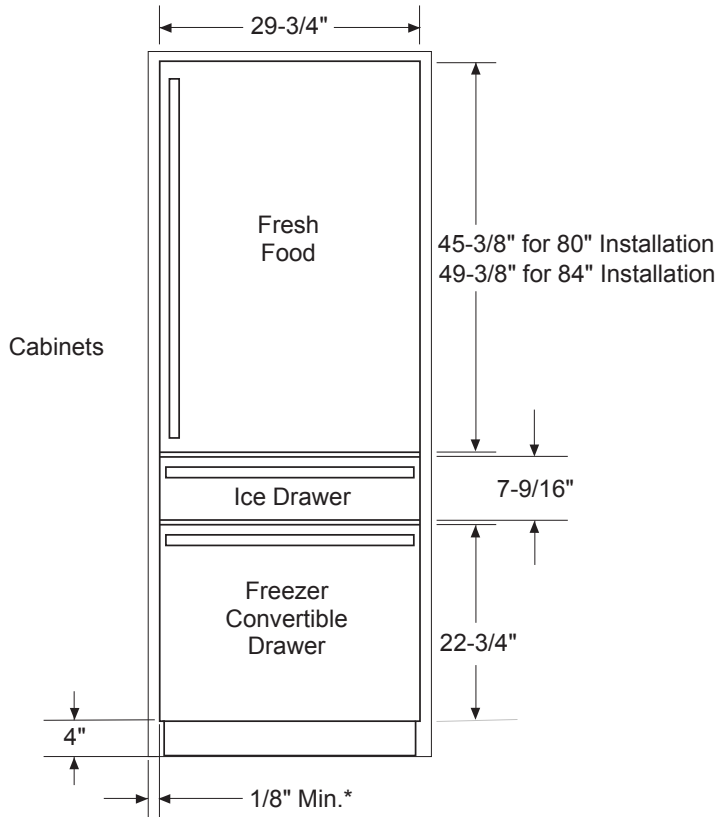
The installation must allow for clearances to adjacent walls or cabinets. These refrigerators are equipped with a 2-position door stop. The factory-set 115° door swing can be adjusted to 90° if clearance to adjacent cabinets or walls is restricted.

Allow 17" minimum clearances for a full 115° door swing.

- 4" minimum clearance is required when the door swing is adjusted to 90°.

- See door swing illustrations to determine interaction with adjacent cabinets or countertops.

INSTALLATION



SS PANEL ACCESSORY & DIMENSIONS

3/4"-Thick Solid Door Panel Options  
For 80" High Installation

- LH Solid SS Door - Model ZKSSN809NLH
- RH Solid SS Door - Model ZKSSN804NRH

For 84" High Installation the door panel is not reversible for the 84" installations. A left or right hand door panel accessory must be purchased.

- LH Solid SS Door - Model ZKSSN849NLH
- RH Solid SS Door - Model ZKSSN844NRH

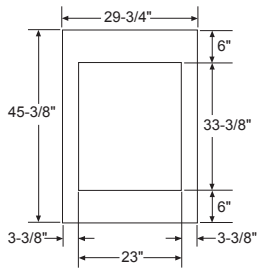
**NOTE:** Each kit also contains matching freezer and customizable drawer panels and toekick.

OPTIONAL ACCESSORY KITS#:

- Side-by-Side Installation Kit - ZUG30
- Minimalist Collection Handle Kit: ZKGC3H3CNSS
- Statement Collection Handle Kit: ZKGC3H3PNSS

## DUAL PRODUCT CLEARANCES

### 80" HEIGHT INSTALLATION



#### PANELS FOR GLASS DOOR

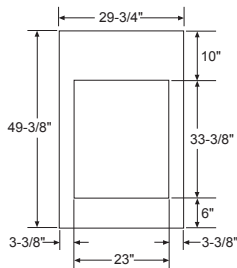
##### IMPORTANT NOTE:

Maximum panel weight:  
 A-Fresh Food Door Panel: 33 lbs.  
 B-Freezer Door Panel: 9 lbs.  
 C-Convertible Food Door Panel: 19 lbs.

**DESIGN TIP:** Some amount of each panel will be visible on the interior side of the unit. It is recommended that both sides of each panel be finished.

**DESIGN TIP:** If using custom panels, a custom toe kick should be considered. The bottom of case is white.

### 84" HEIGHT INSTALLATION



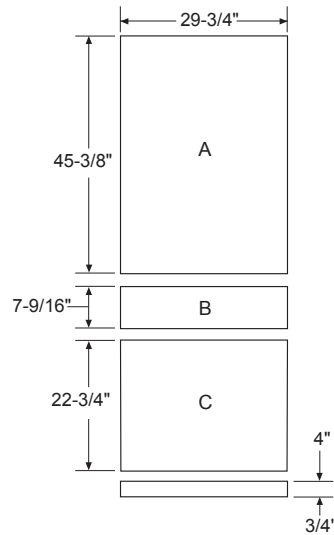
#### PANELS FOR GLASS DOOR

##### IMPORTANT NOTE:

Maximum panel weight:  
 A-Fresh Food Door Panel: 33 lbs.  
 B-Freezer Door Panel: 9 lbs.  
 C-Convertible Food Door Panel: 19 lbs.

**DESIGN TIP:** Some amount of each panel will be visible on the interior side of the unit. It is recommended that both sides of each panel

**DESIGN TIP:** If using custom panels, a custom toe kick should be considered. The bottom of case is white.



#### PANELS FOR SOLID DOOR AND DRAWERS

## INTEGRATED INSTALLATION

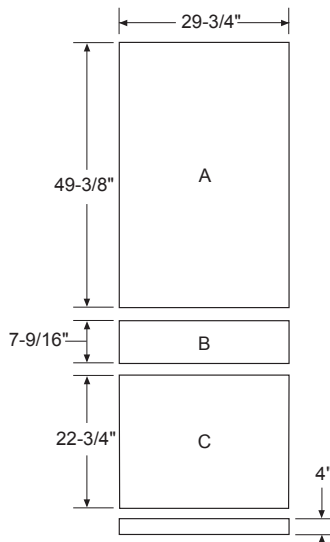
**3/4" CUSTOM PANEL DIMENSIONS:**  
 80" High Fully Integrated Installation  
 If you choose to install custom panels, they must be cut to the dimensions shown.

**NOTE:** This product is designed to handle 3/4" panels that are made of wood. 33-3/8" x 23" is the maximum opening for a glass window. The opening may be smaller if desired.

### 84" HIGH FULLY INTEGRATED INSTALLATION

If you choose to install custom panels, they must be cut to the dimensions shown. The panels will attach to the door and drawers using a hook and bracket system. The top space behind the top panel can be enclosed with wood and stained by the cabinet maker to match adjacent cabinetry.

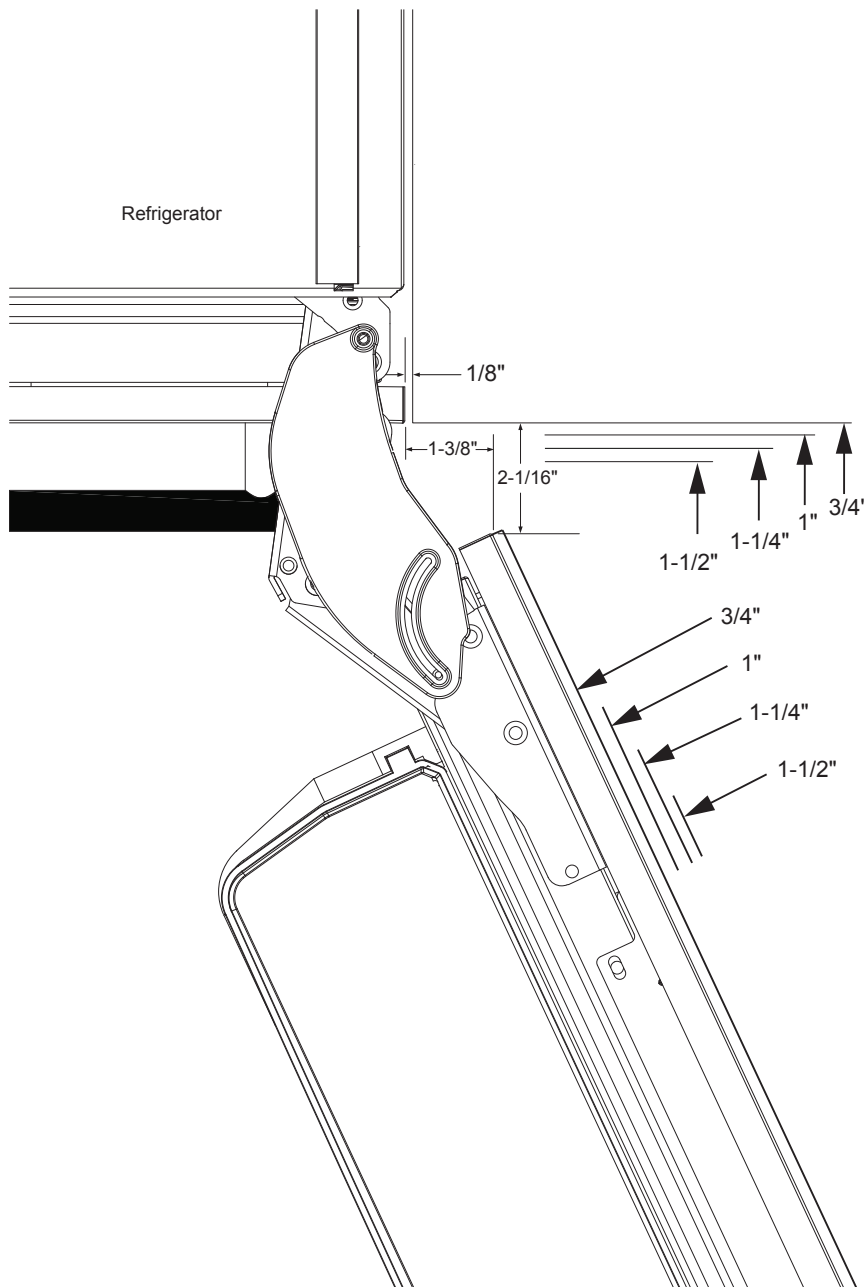
**NOTE:** This product is designed to handle 3/4" panels that are made of wood. 33-3/8" x 23" is the maximum opening for a glass window. The opening may be smaller if desired.



#### PANELS FOR SOLID DOOR AND DRAWERS

**DIMENSIONS AND INSTALLATION INFORMATION (IN INCHES)**

**SS OR CUSTOM PANELS TOP VIEW  
115° DOOR SWING (FACTORY SETTING)**



**ADVANCE PLANNING**

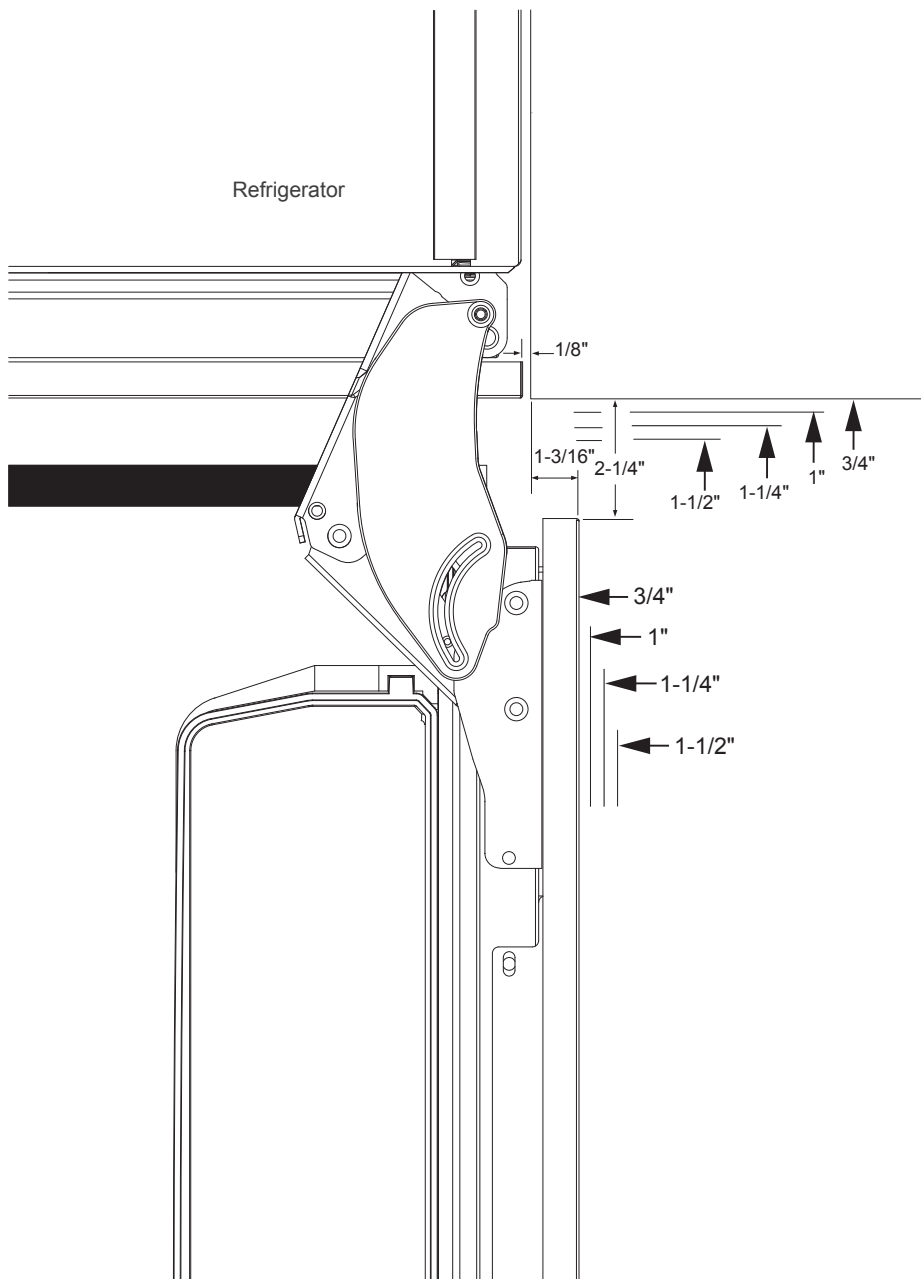
Use this page to determine door swing interaction with adjacent cabinets or countertops.

**PRODUCT CLEARANCES**

These refrigerators are equipped with a 2-position door stop. The factory-set 115° door swing can be adjusted to 90° if clearance to adjacent cabinets or walls is restricted.

DIMENSIONS AND INSTALLATION INFORMATION (IN INCHES)

SS OR CUSTOM PANELS TOP VIEW  
90° DOOR SWING (FACTORY SETTING)



ADVANCE PLANNING

Use this page to determine door swing interaction with adjacent cabinets or countertops.