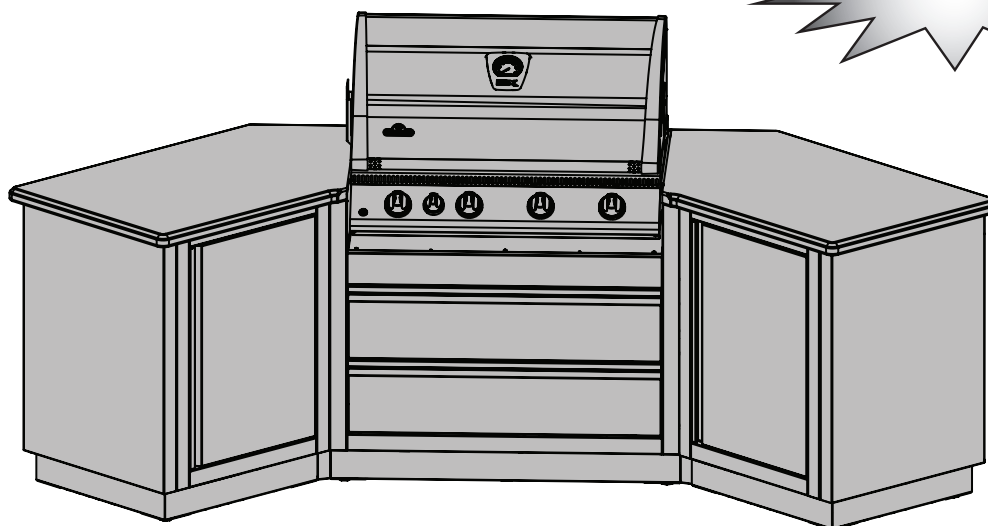


EN

FR  
PG.17



## MODULAR CABINET ASSEMBLY INSTRUCTIONS

Use this manual in conjunction with your main manual to properly assemble your built-in grill. Refer to the main manual for operating, cleaning, and maintenance instructions. This grill is designed for **NON-COMBUSTIBLE** enclosures only, and must be installed and serviced by a qualified installer to local codes.

**RETAIN THIS MANUAL FOR FUTURE REFERENCE.**

Napoleon Group of Companies  
214 Bayview Dr., Barrie, Ontario, Canada L4N 4Y8  
Phone: 1-705-726-4278 Fax: (705)-727-4282

[www.napoleongrills.com](http://www.napoleongrills.com)

Customer Solutions: 1-866-820-8686 or [grills@napoleonproducts.com](mailto:grills@napoleonproducts.com)

Quality System Certified To  
**ISO**  
9001-2000



NAPOLEON gas grills are manufactured under the strict Standard of the world recognized ISO 9001-2008 Quality Assurance Certificate. NAPOLEON products are designed with superior components and materials, and are assembled by trained craftsmen who take great pride in their work.

## NAPOLEON PRESIDENT'S LIMITED LIFETIME WARRANTY

NAPOLEON warrants the following materials and workmanship in your new NAPOLEON product against defects for as long as you own it. This covers: stainless steel panels, stainless steel drawer fronts. Subject to the following conditions. During the first ten years NAPOLEON will provide replacement parts at our option free of charge. From the eleventh year to lifetime NAPOLEON will provide replacement parts at 50% of the current retail price.

Components such as the leveling feet, pivot rods, hoses and connectors, fasteners and accessories are covered and NAPOLEON will provide parts free of charge during the first year of the limited warranty. NAPOLEON shall not be liable for any transportation charges, labour costs or export duties.

## CONDITIONS AND LIMITATIONS

"NAPOLEON warrants its products against manufacturing defects to the original purchaser only, provided that the purchase was made through an authorized NAPOLEON dealer and is subject to the following conditions and limitations:"

This factory warranty is non-transferable and may not be extended what-so-ever by any of our representatives.

The gas grill must be installed by a licenced, authorized service technician or contractor. Installation must be done in accordance with the installation instructions included with the product and all local and national building and fire codes.

This limited warranty does not cover damages caused by misuse, lack of maintenance, grease fires, hostile environments, accident, alterations, abuse or neglect and parts installed from other manufacturers will nullify this warranty.

This limited warranty further does not cover any scratches, dents, painted finishes, corrosion or discolouring by heat, abrasive and chemical cleaners, nor chipping

on porcelain enamel parts, nor any components used in the installation of the gas grill. Should deterioration of parts occur to the degree of non-performance within the duration of the warranted coverage, a replacement part will be provided.

In the first year only, this warranty extends to the replacement of warranted parts which are defective in material or workmanship provided that the product has been operated in accordance with the operation instructions and under normal conditions.

After the first year, with respect to this President's Limited Lifetime Warranty NAPOLEON may, at its discretion, fully discharge all obligations with respect to this warranty by refunding to the original warranted purchaser the wholesale price of any warranted but defective part(s).

NAPOLEON will not be responsible for the installation, labour or any other costs or expenses related to the re-installation of a warranted part, and such expenses are not covered by this warranty.

Notwithstanding any provision contained in this President's Limited Lifetime Warranty NAPOLEON's responsibility under this warranty is defined as above and it shall not in any event extend to any incidental, consequential, or indirect damages.

This warranty defines the obligation and liability of NAPOLEON with respect to the NAPOLEON gas grill and any other warranties expressed or implied with respect to this product, its components or accessories are excluded.

NAPOLEON neither assumes, nor authorizes any third party to assume, on its behalf, any other liabilities with respect to the sale of this product. NAPOLEON will not be responsible for: over firing, blow outs caused by environmental conditions such as strong winds, or inadequate ventilation,

Any damages to the gas grill due to weather damage, hail, rough handling, damaging chemicals or cleaners will not be the responsibility of NAPOLEON.

The bill of sale or copy will be required together with a serial number and a model number when making any warranty claims from NAPOLEON.

NAPOLEON reserves the right to have its representative inspect any product or part prior to honouring any warranty claim.

NAPOLEON shall not be liable for any transportation charges, labour costs, or export duties.

## PLANNING YOUR NAPOLEON MODULAR OUTDOOR ISLAND

The Napoleon Outdoor Modular Island series has been developed with versatility in mind. The cabinets can be assembled in virtually any combination to suit your individual needs. They can be assembled against a house wall or as a standalone island, becoming the focal point of your backyard. With multi-function and storage capabilities, your backyard island can be transformed into an outdoor kitchen, placing the host in the center of the action when entertaining guests.

The cabinets are designed to be easy to assemble and install for either the home owner or private contractor. All cabinets are 35" (889 mm) tall by 24" (610 mm) deep. All cabinets are 24" (610 mm) wide except for the BUILT-IN grill cabinets whose width correspond to the width of the unit it was designed for. The temperature control is located at the back of the fridge. The cabinet has a removable panel which allows access to the temperature control. Ensure that there is access to the panel when the cabinet is installed. Each cabinet has 4 leveling feet for adjustment on even surfaces. The 2 drawer cabinets are made to fit the Napoleon BUILT-IN series of grills only, available in several different sizes. BUILT-IN grills come in several different sizes. Refer to the installation manuals that come with the grill head for proper installation and operating instructions.

The BUILT-IN series of grills can be ordered in your choice of propane or natural gas configuration. Natural gas is an obvious selection for many people that already have it available in their home. All gas modifications or installations must be done by a qualified gas installer. Knockouts are present in the side and rear panels for easy piping and installation. For those who order a propane grill, a propane tank cabinet is available.

The cabinets can be installed against a **NON-COMBUSTIBLE** wall of a house, a masonry or stucco half-wall, or freestanding in an island configuration. Ensure there is adequate ventilation behind the fridge cabinet – a minimum gap of 6" (150mm) is required between the back of the cabinet and adjacent structures. Never block the vents located on the back of the cabinet. Failure to do so can result in the fridge overheating. An optional 4" (102 mm) spacer panel must be purchased and installed when placing an island against a wall to allow clearance for the grill lid to open. The spacer also provides closure for the cabinet to prevent debris or rodents from entering behind the cabinets. A powdercoated, 2" (51 mm) wide end panel can be purchased to cover the knockouts and mounting holes in the outside panels in a run of cabinets, giving a more finished look.

When utilizing 45° and 90° transitions in your design, modules on either side of the transition need to be chosen carefully. If doors or drawers are used on either side of the transition, they will interfere with each other when opened. If a drawer module is placed next to a grill, the control panel on the grill will prevent the top drawer from opening. The same applies to the paper towel/garbage module. Door modules can be used with 45° transitions, but the control panel will prevent the door from fully opening and may damage the door. The best module for this application is the 2 drawer module (false drawer at the top).

Optional built-in sideburner kits are available through your Napoleon Gas Grill dealer. These sideburner kits are an excellent complement to the BUILT-IN series of grills. We recommend that the sideburner kit be installed over top of the IM-2DC cabinet. It has the false drawer front at the top of the cabinet which allows clearance for the sideburner valve and hose routing. The IM-2DC cabinet also provides the necessary clearance for those who would like to install a sink in their outdoor kitchen.

Countertops must be ordered and supplied locally by the homeowner. The countertop material must be **NON-COMBUSTIBLE** if a grill is to be installed into it. They can be ordered in advance by drawing out the floorplan of how the cabinets will be situated and adding up the width measurements, allowing 1-2 inches (25 mm-51 mm) of countertop overhang. Most countertop manufacturers are willing to come and take measurements after assembly of the cabinets is complete to ensure a perfect fit. For best results the countertop thickness should be between 1/2" (13 mm) to 1 1/2" (38 mm) thick. The built-in grillhead comes with stainless steel brackets and hardware that allow the unit to rest on the countertop above the corresponding island cabinet for that unit. Granite or Corian are excellent choices of countertop materials. Decorative countertops made of ceramic tile set on top of cement tiling board can be made to match your surrounding backyard furniture colors.

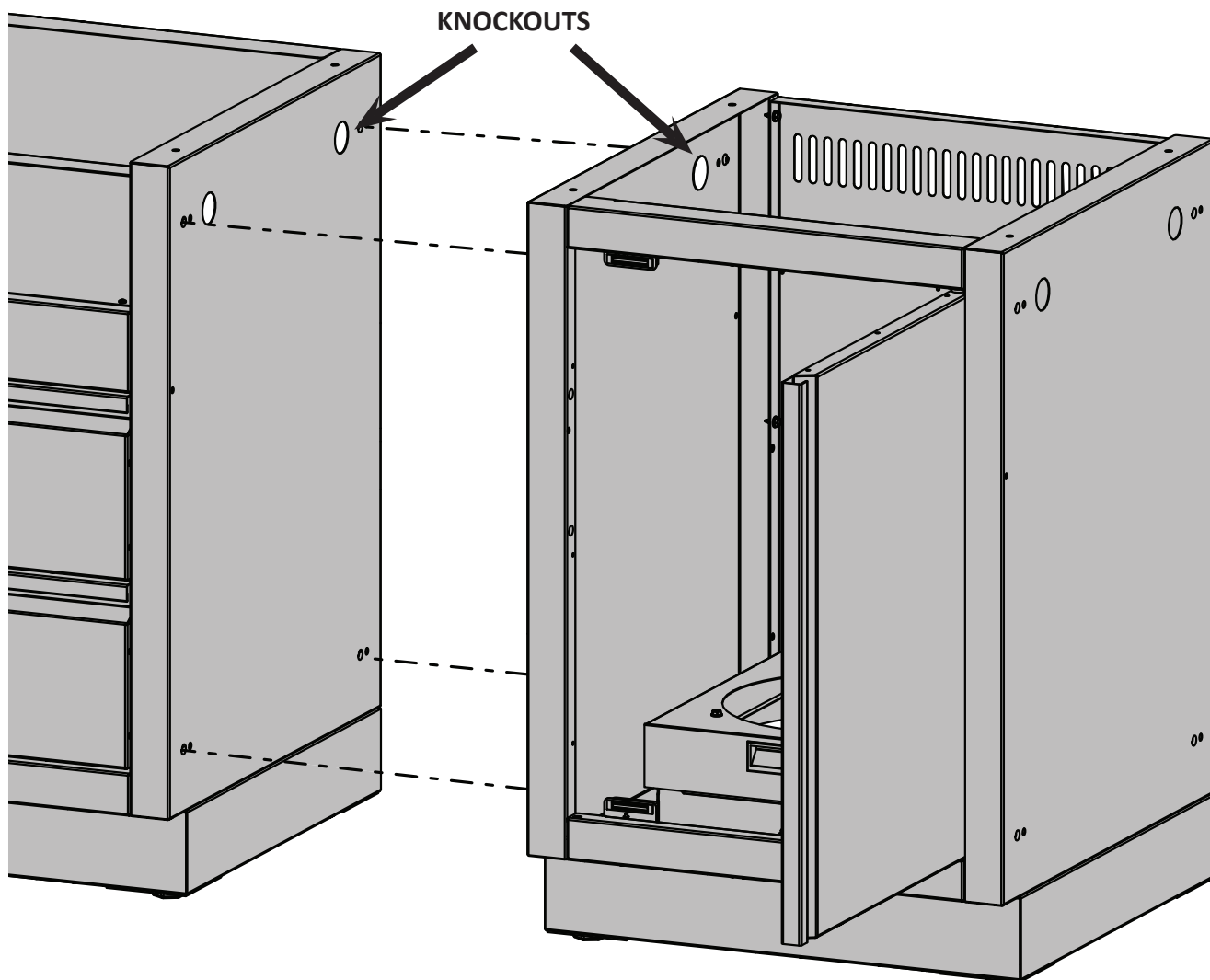
**TOOLS REQUIRED FOR ASSEMBLY (tools not included)**

3/8" (10mm)

**GAS AND ELECTRICAL PIPING**

The piping up to the gas grill is the responsibility of the installer and piping should be located as shown in the built-in instructions. Do not use hose to connect the unit. It must be connected with either rigid pipe, copper tube or an approved flexible metal connector. The installation must comply with CAN B149.1 Natural Gas and Propane installation code in Canada, or to the National Fuel Gas code, ANSI Z223.1 in the United States. The minimum recommended piping size is NPS 1/2" for rigid pipe, and 1/2" OD for copper tubing (based on a 20 ft run). Longer runs may require larger sizes to conform with CAN B149.1. Propane Gas Installation Code in Canada or to the National Fuel Gas Code, ANSI Z223.1 in the United States. Look to the manual that came with the gas grill for further instructions.

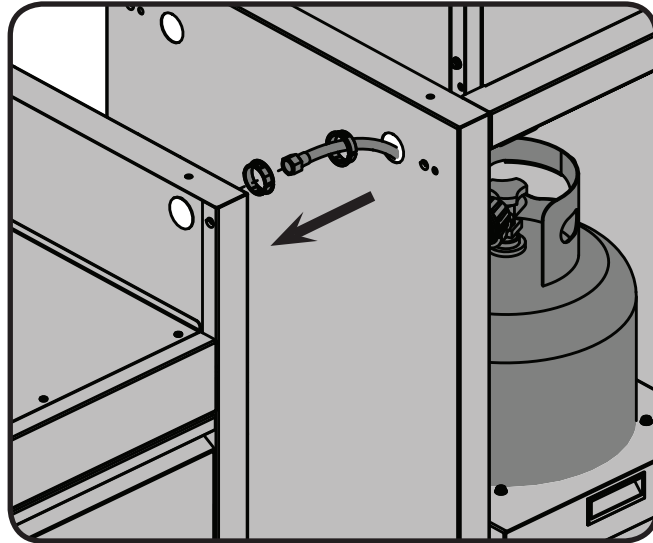
To ease installation and piping, removable knockouts have been provided in the side panels and in the center of each backpanel. The knockouts in the side panels should be removed before the cabinets are bolted in a row. Only remove the knockouts that are required for the piping of any gas, plumbing or electrical lines.



IM-UTC

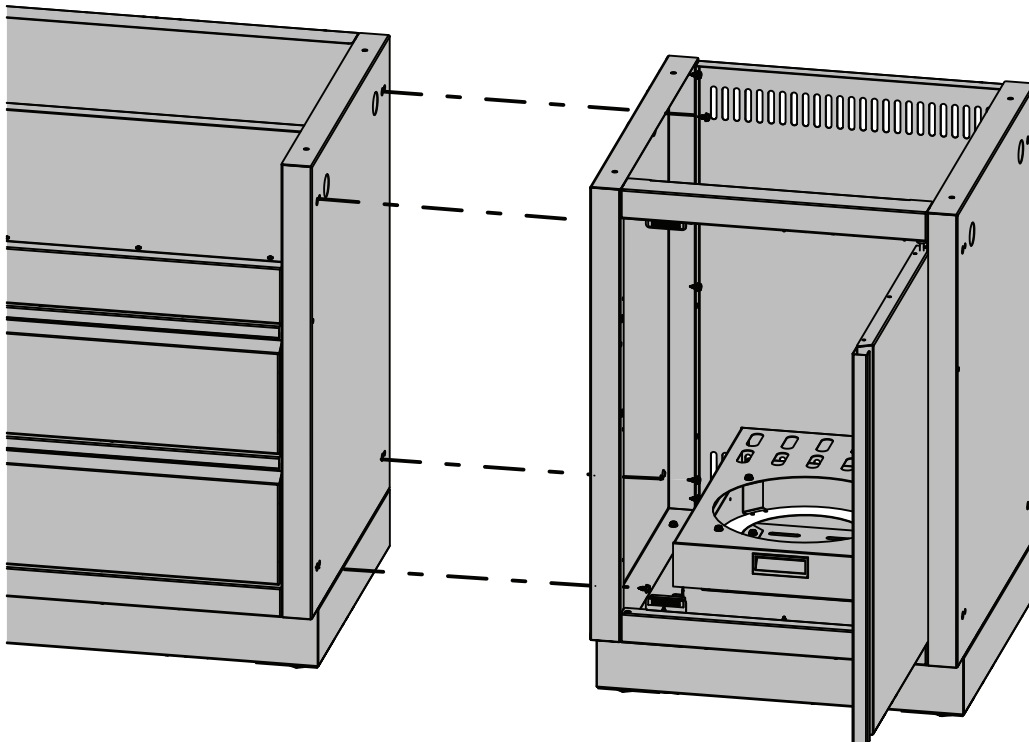
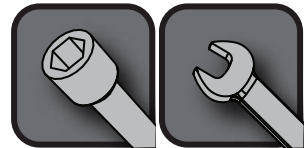
PROPANE SUPPLY HOSE ROUTING

EN



The gas connection of the Mirage series grills is at the left of the control panel. Placing the tank enclosure cabinet to the left of the unit cabinet will make for easier gas piping. Knockouts have been punched in the sides and back panels to provide easy routing of gas or electrical piping. Once the knockout has been removed a bushing must be installed to prevent the gas or electrical line being cut on the edge of the hole. Gas piping and installation must be done by a qualified gas installer.

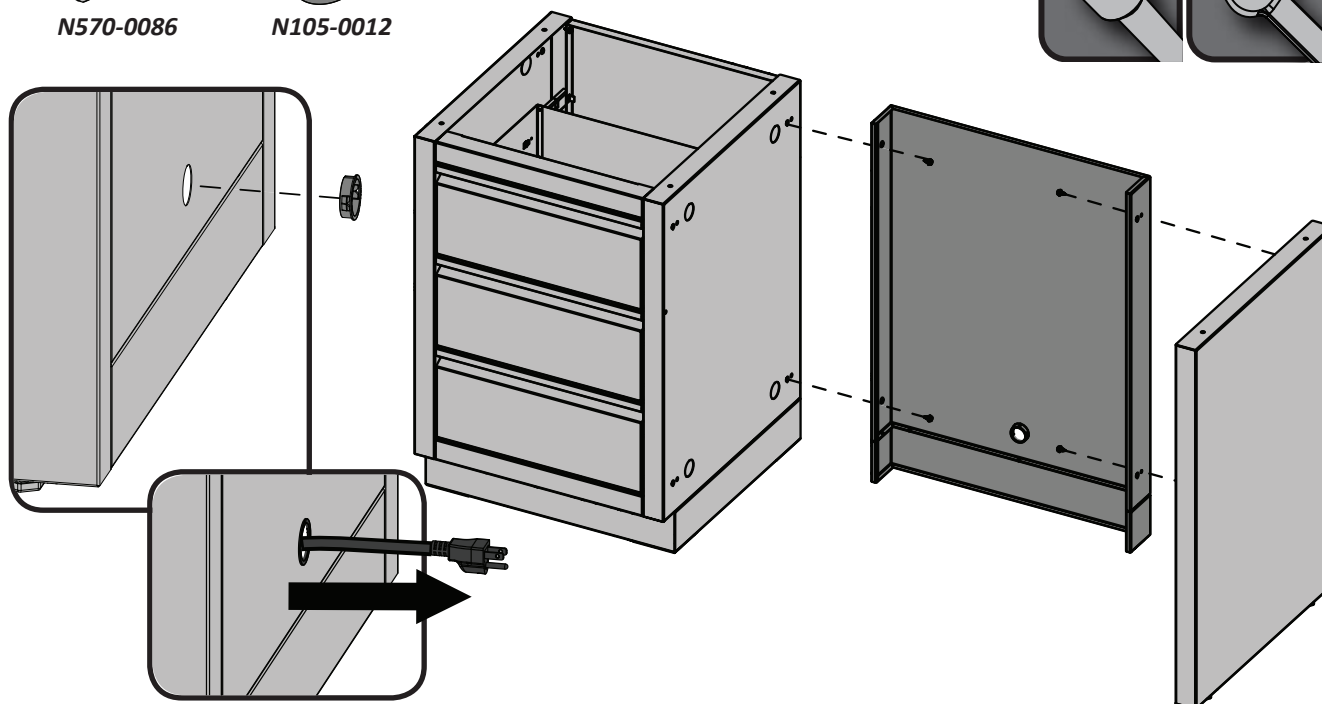
CABINET TO CABINET ASSEMBLY



# IM-FMP/FEP

# FRIDGE PANNEL ATTACHMENT

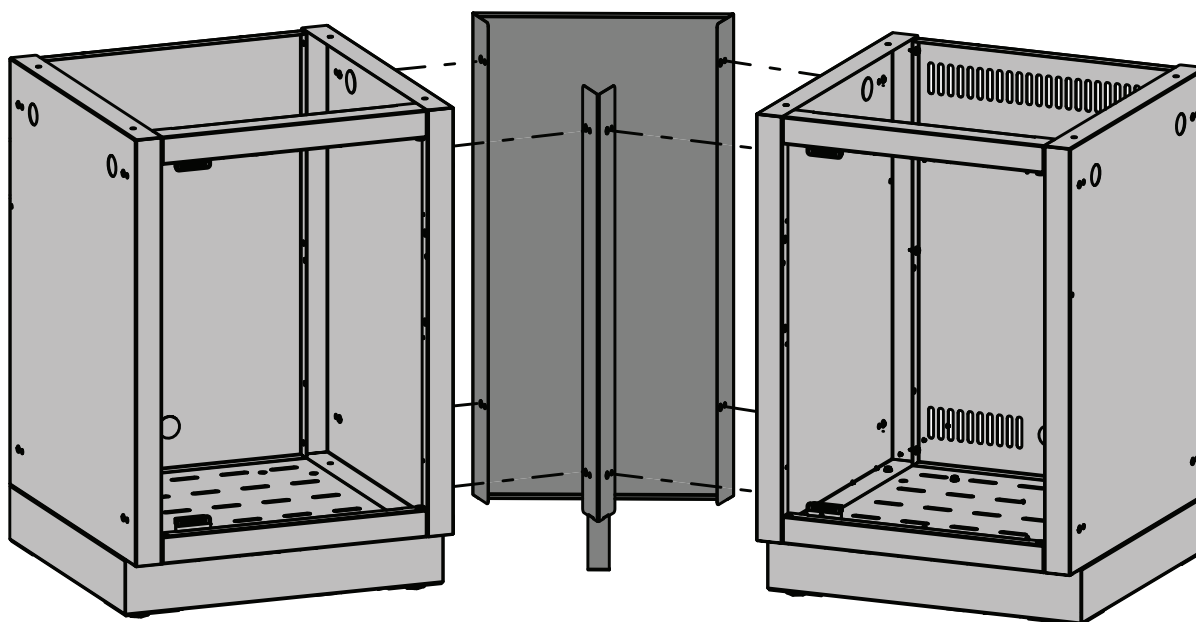
-  **x4**  
N570-0086
-  **x1**  
N105-0012



# IM-45T

# CABINET 45 DEGREE CONNECTION

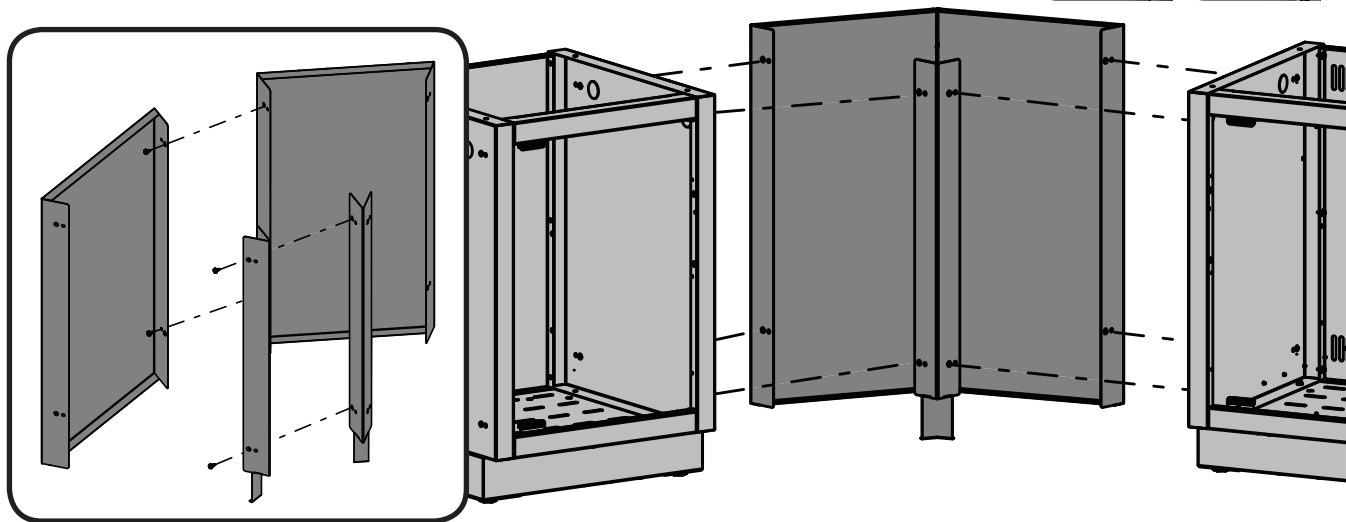
-  **x8**  
N570-0086



# IM-45T X 2 CABINET 90 DEGREE CONNECTION

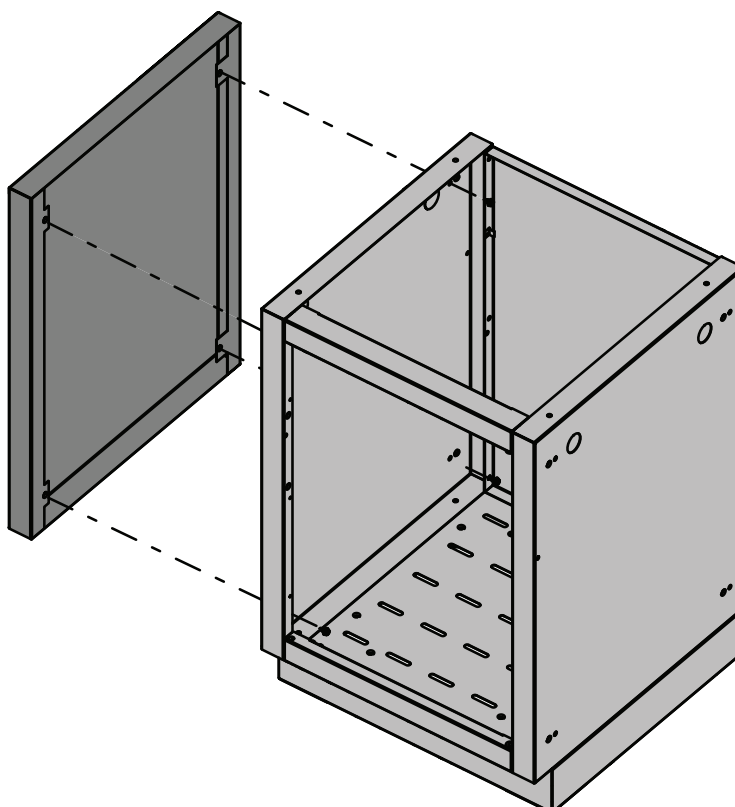
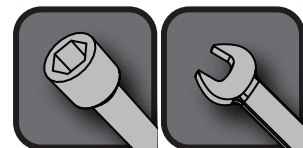
EN

 **x12**  
N570-0086

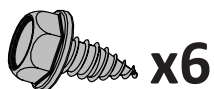


# IM-CEP CABINET END PANEL KIT

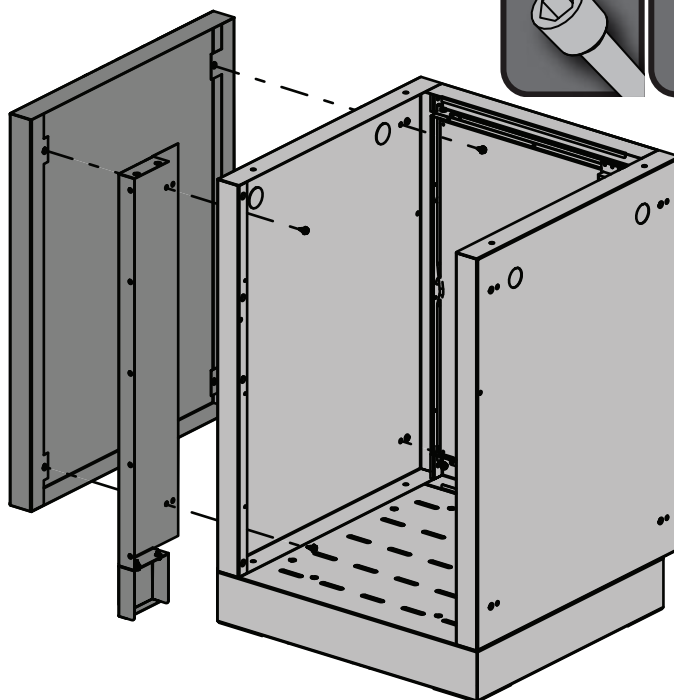
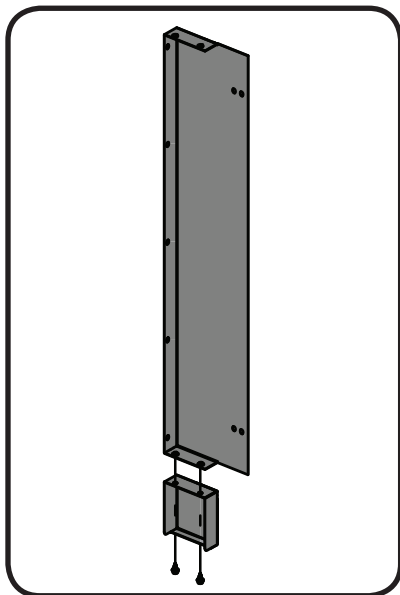
 **x4**  
N570-0086



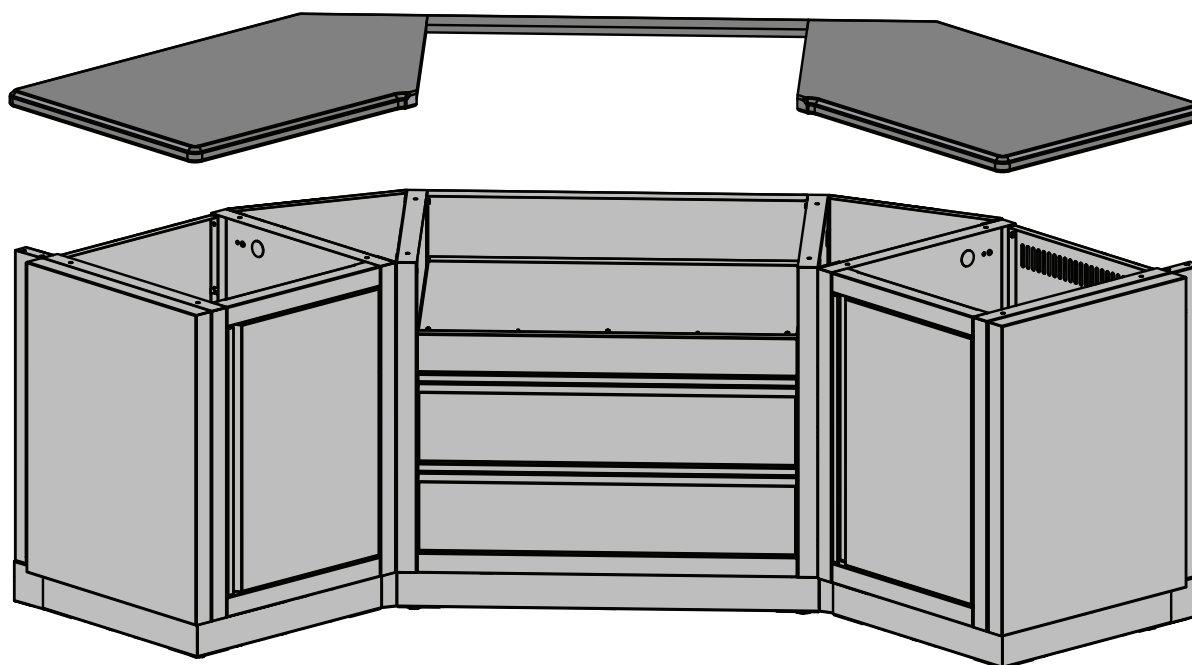
# IM-CEP / IM-WSF CABINET END PANEL KIT



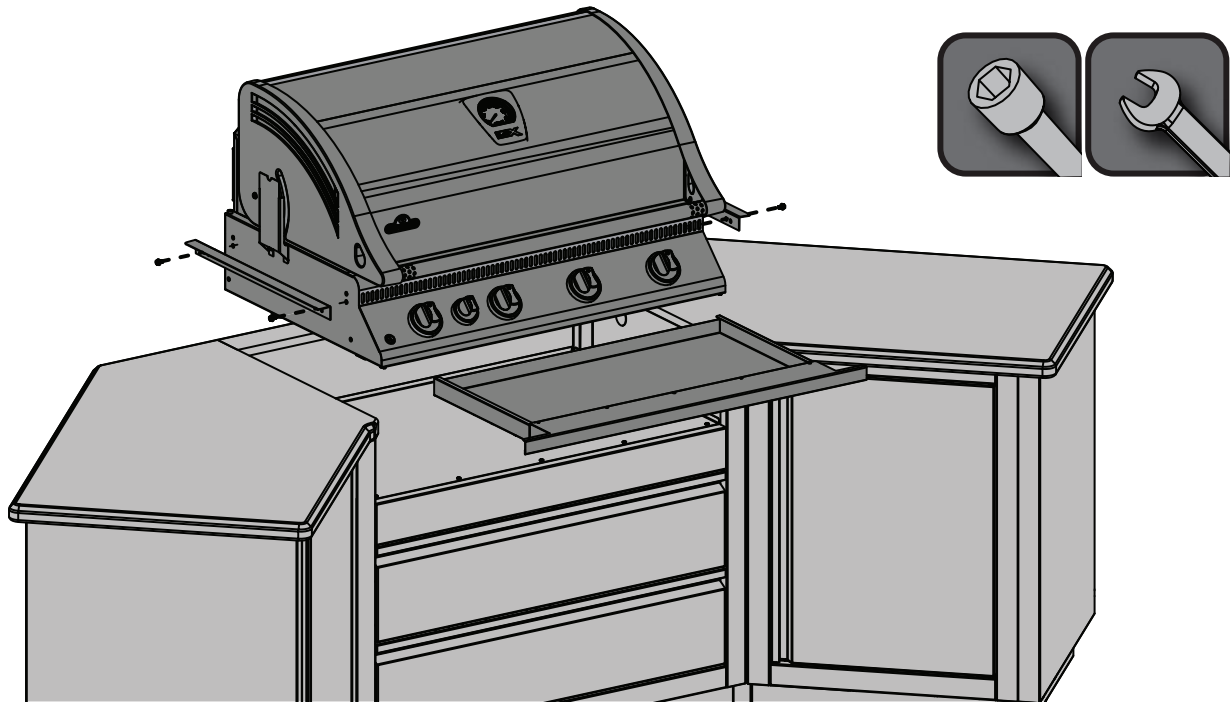
N570-0086



SHOWN WITH REAR PANEL REMOVED

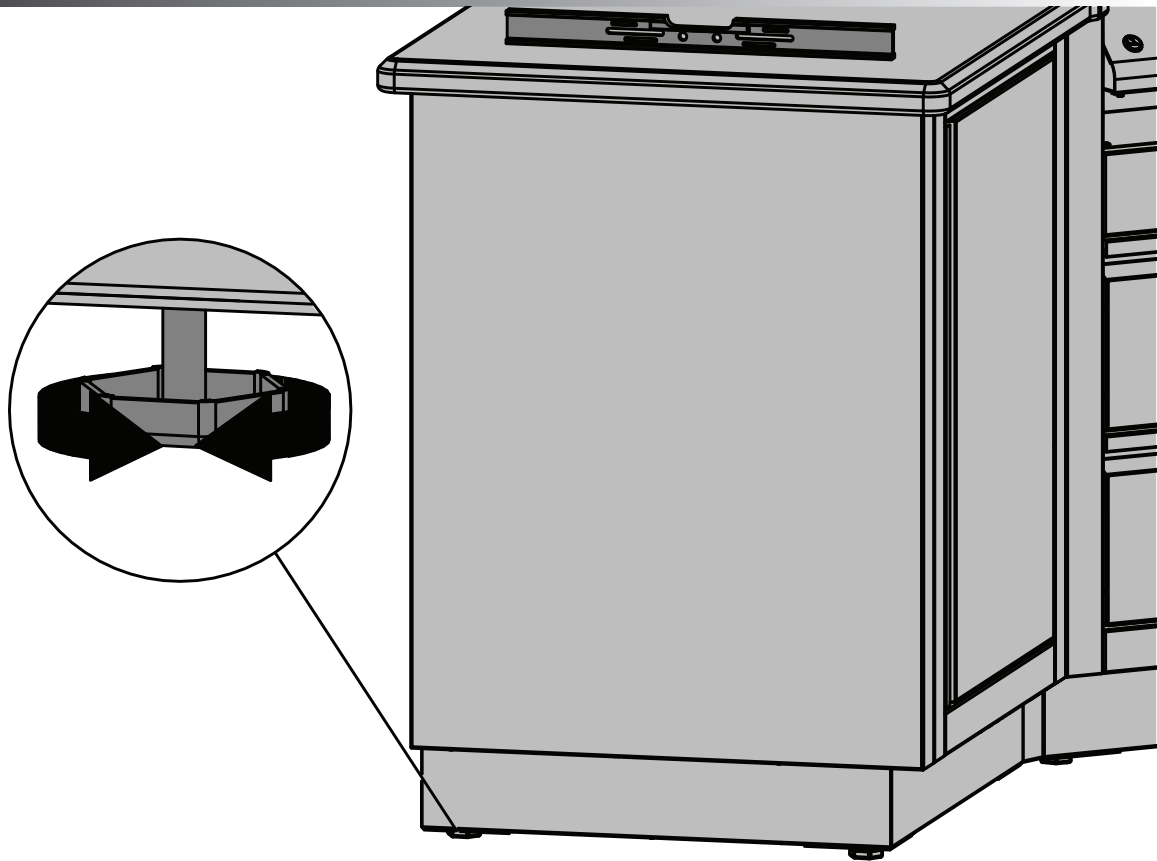


COUNTERTOP TO BE FASTENED AS PER MANUFACTURER'S INSTRUCTIONS. HOLES HAVE BEEN PLACED ON THE TOP FLANGE OF THE SIDE PANELS TO ALLOW FOR FASTENERS.

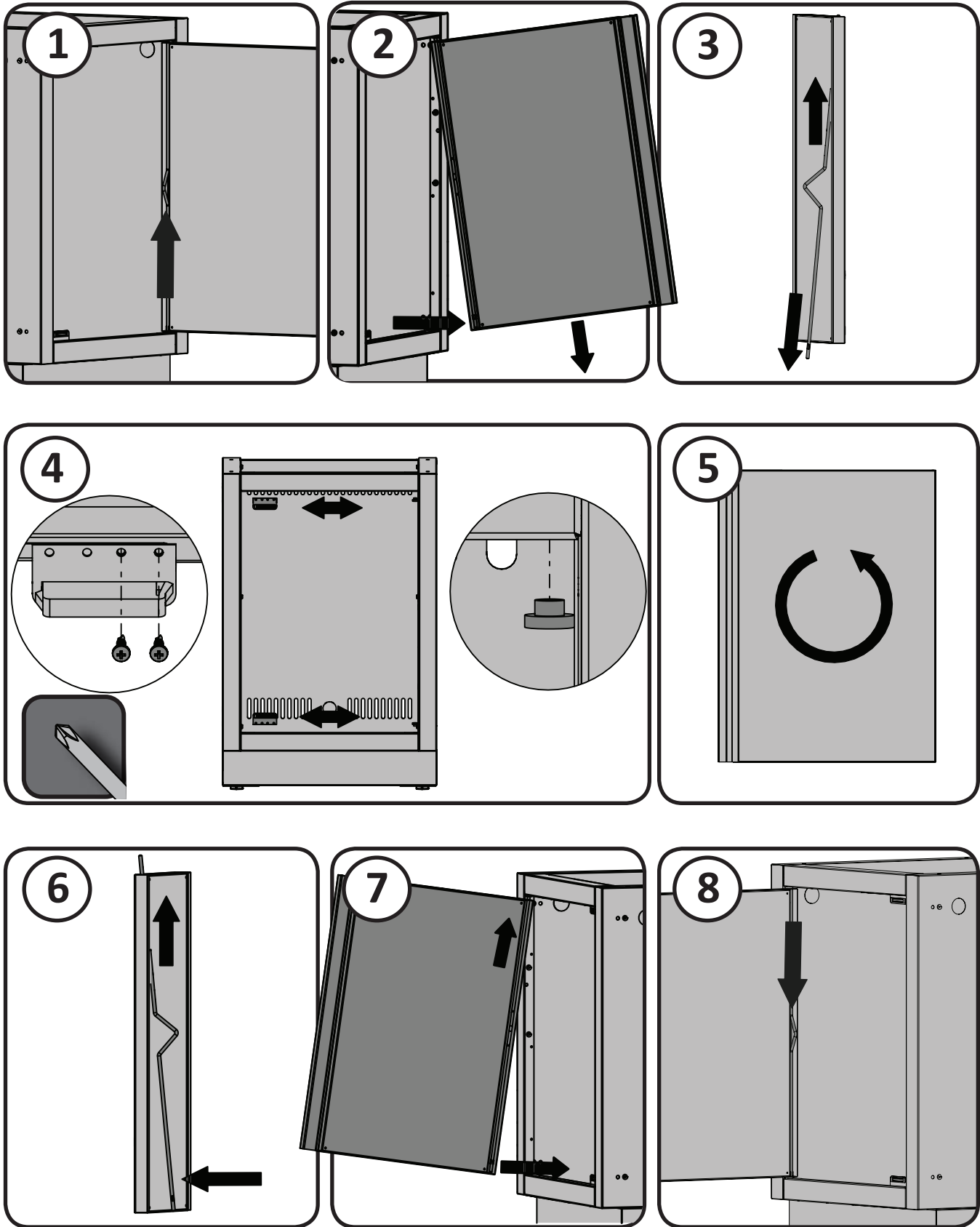


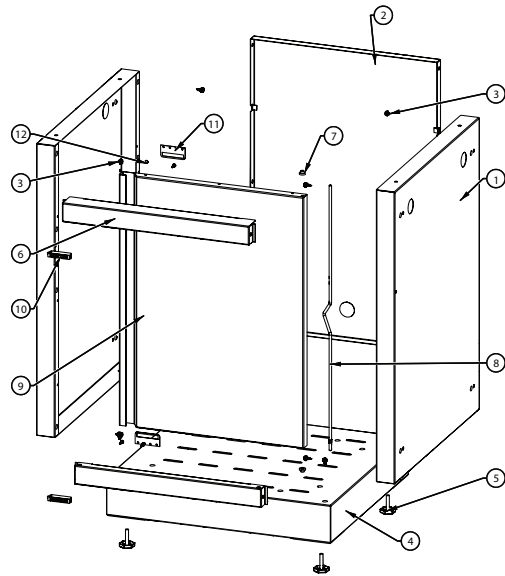
REFER TO BUILT-IN MANUAL THAT ACCOMPANIES THE GRILL FOR COMPLETE INSTRUCTIONS.  
GAS PIPING MUST BE DONE BY A LICENSED GAS INSTALLER.

## CABINET LEVELING PROCEDURE

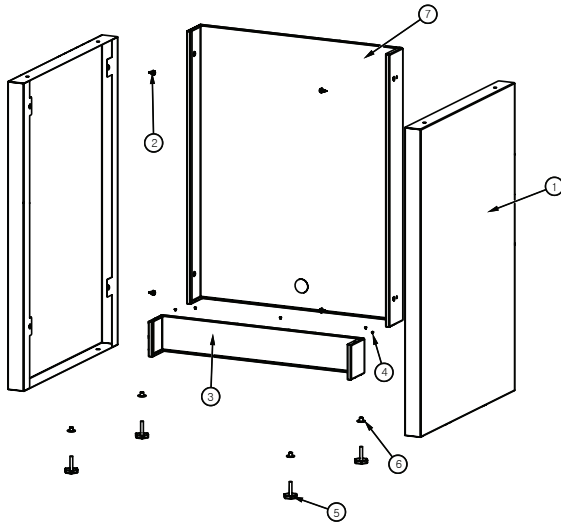


# DOOR REVERSAL

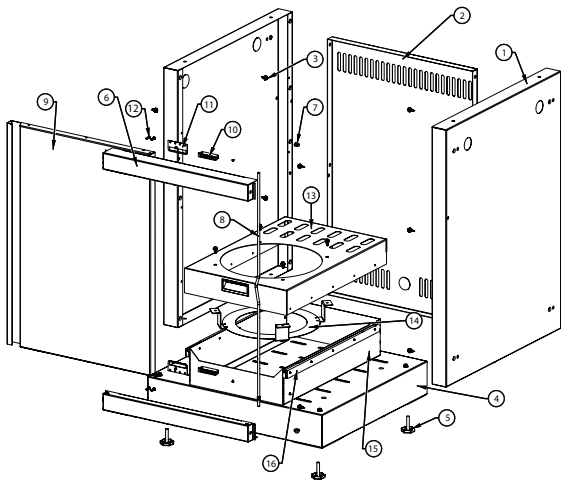




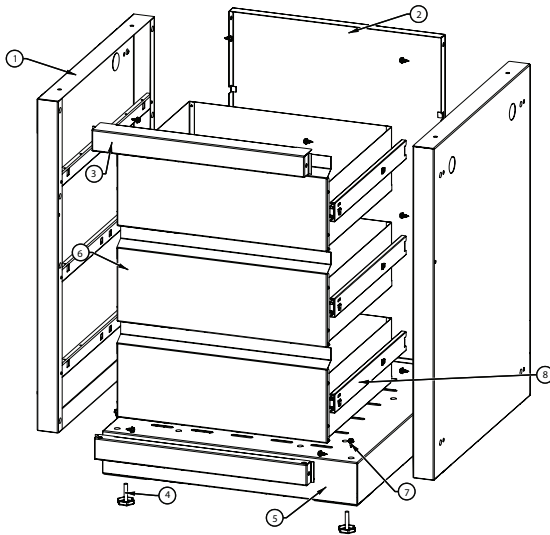
#	Part #	Description	IM-UDC
1	N475-0223P	side panel / panneau avant	x
2	N475-0224P	back panel / panneau arrière	x
3	N570-0086	#14 x 1/2" screw / vis #14 x 1/2"	x
4	N010-0575P	bottom shelf assembly / ensemble de tablette inférieur	x
5	N570-0031	leveling foot / mise à niveau du pied	x
6	N525-0018P	top/bottom rail / support superior/inférieur	x
7	N105-0011	door bushing / bagues de porte	x
8	N555-0023	door pivot rod / tige-pivot de porte	x
9	N010-0590	door assembly / ensemble de porte	x
10	N430-0002	magnetic catch / loquet magnétique	x
11	N080-0232P	door magnet bracket / support de magnétique	x
12	N570-0013	#8 x 5/8" screw / vis #8 x 5/8"	x



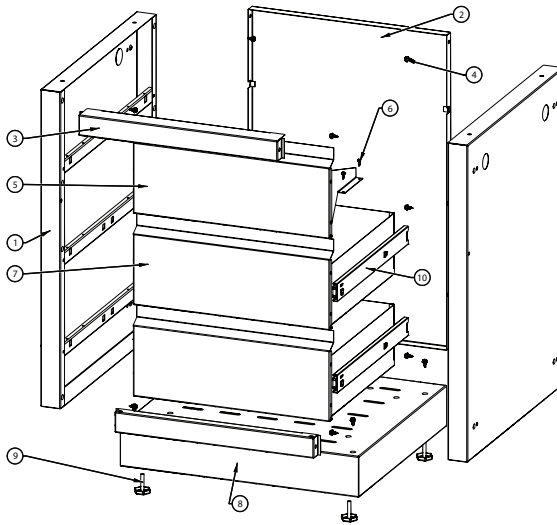
#	Part #	Description	IM-FMP/FEP
1	N475-0404-SV15G	side panel / panneau avant	x
2	N570-0086	#14 x 1/2" screw / vis #14 x 1/2"	x
3	N525-0055-SV15G	bottom rail / support inférieur	x
4	N545-0005	rivet / rivet	x
5	N570-0031	leveling foot / mise à niveau de pied	x
6	N450-0046	nut / écrou	x
7	N475-0403-SV15G	back panel / panneau arrière	x



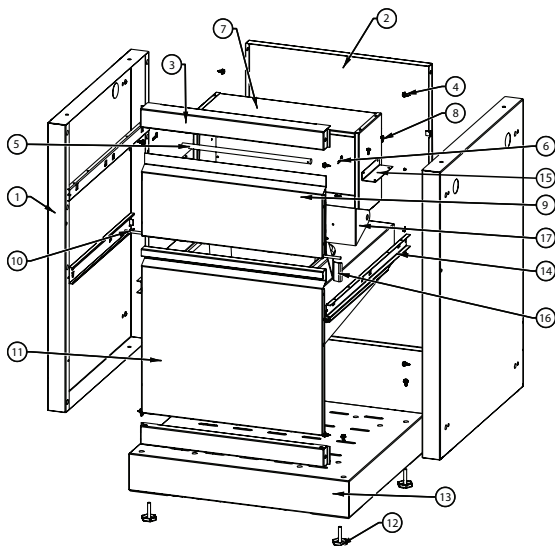
#	Part #	Description	IM-UTC
1	N475-0223P	side panel / panneau avant	x
2	N475-0237P	back panel / panneau arrière	x
3	N570-0086	screw , #14 x 1/2" / vis #14 x 1/2"	x
4	N010-0575P	assembly, bottom shelf / ensemble de tablette inférieur	x
5	N570-0031	leveling foot / mise à niveau du pied	x
6	N525-0018P	top/bottom rail / support superior/inférieur	x
7	N105-0011	door bushing / bagues de porte	x
8	N105-0012	1.5" bushing / bagues de porte 1.5"	x
9	N555-0023	door pivot rod / tige-pivot de porte	x
10	N010-0590	door assembly / ensemble de porte	x
11	N325-0016	door handle / poignée de porte	x
12	N430-0002	magnetic catch / loquet magnétique	x
13	N080-0232P	door magnet bracket / support de magnétique	x
14	N570-0013	#8 x 5/8" screw / vis #8 x 5/8"	x
15	N710-0061P	tank drawer / compartiment à bonbonne	x
16	N010-0360P	tank support ring / support du bonbonne	x
17	N080-0225P	tank drawer support bracket / compartiment à bonbonne support	x
18	N610-0004	drawer slide / glisser tiroir	x



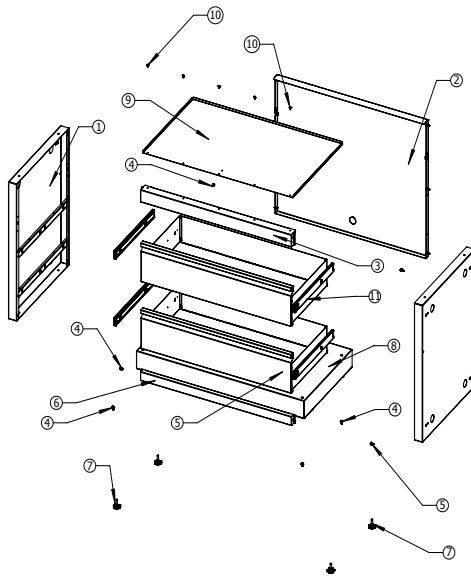
#	Part #	Description	IM-3DC
1	N010-0678	side panel / panneau avant	x
2	N475-0224P	back panel / panneau arrière	x
3	N525-0018P	top/bottom rail / support superior/inférieur	x
4	N570-0031	leveling foot / mise à niveau du pied	x
5	N010-0575P	assembly, bottom shelf / ensemble de tablette inférieur	x
6	N010-0677	drawer assembly / assemblage du tiroir	x
7	N570-0086	#14 x 1/2" screw / vis #14 x 1/2"	x
8	N610-0010	drawer slide / glisser, tiroir	x



#	Part #	Description	IM-2DC
1	N010-0678	side panel / panneau avant	x
2	N475-0224P	back panel / panneau arrière	x
3	N525-0018P	top/bottom rail / support superior/inférieur	x
4	N570-0086	#14 x 1/2" screw / vis #14 x 1/2"	x
5	N010-0574	false drawer front / avant faux de tiroir	x
6	N570-0008	#8 x 1/2" screw / vis #8 x 1/2"	x
7	N010-0677	drawer assembly / assemblage du tiroir	x
8	N010-0575P	bottom shelf assembly / ensemble de tablette inférieur	x
9	N570-0031	leveling foot / mise à niveau du pied	x
10	N610-0010	drawer slide / glisser tiroir	x

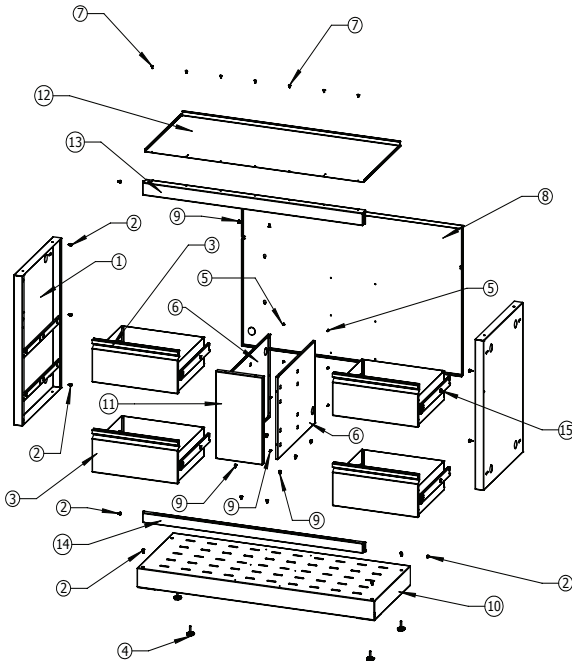


#	Part #	Description	IM-WDC
1	N010-0678	side panel / panneau avant	x
2	N475-0224P	back panel / panneau arrière	x
3	N525-0018P	top/bottom rail / support superior/inférieur	x
4	N570-0086	#14 x 1/2" screw / vis #14 x 1/2"	x
5	N555-0032	paper towel rod / tige pour essuie-tout	x
6	N485-0012	cotter pin / vis	x
7	N010-0576P	paper towel housing assembly / assemblage de la porte du compartiment à essuie-tout	x
8	N570-0008	#8 x 1/2" screw / vis #8 x 1/2"	x
9	N010-0578	paper towel door assembly / assemblage de compartiment pour essuie-tout	x
10	N555-0031	pivot rod / tige-pivot	x
11	N010-0679	drawer assembly, trash can / assemblage du tiroir, panier à déchets	x
12	N570-0031	leveling foot / mise à niveau du pied	x
13	N010-0575P	assembly, bottom shelf / ensemble de tablette inférieur	x
14	N610-0010	drawer slide / glisser tiroir	x
15	N080-0228P	paper towel housing bracket / support tiroir de serviette en papier	x
16	N080-0230P	door stop bracket / support cale-porte	x
17	N160-0018	paper towel bracket / support de serviette en papier	x
	N185-0004	waste bin / poubelle	x



#	605	665	730	Description	
1	N010-0678	N010-0678	N010-0678	side panel / panneau avant	x
2	N475-0231P	N475-0392-SV1SG	N475-0233P	back panel / panneau arrière	x
3	N525-0020P	N525-0050-SV1SG	N525-0021P	top rail / support superior	x
4	N570-0086	N570-0086	N570-0086	#14 x 1/2" screw / vis #14 x 1/2"	x
5	N010-0682	N010-0682	N010-0683	drawer assembly / assemblage du tiroir	x
6	N525-0023P	N525-0023P	N525-0024P	bottom rail / support inférieur	x
7	N570-0031	N570-0031	N570-0031	leveling foot / mise à niveau du pied	x
8	N010-0581P	N010-0581P	N010-0583P	bottom shelf / tablette inférieur	x
9	N585-0051P	N585-0051P	N585-0052P	drawer dripshield / écran anti-égouttement pour tiroir	x
10	N570-0013	N485-0007	N570-0013	#8 x 5/8" screw / vis #14 x 5/8"	x
11	N610-0010	N610-0010	N610-0010	drawer slide / glisser tiroir	x
	N105-0012	N105-0012	N105-0012	1.5" bushing / bagues de porte 1.5"	x
	N485-0007	N485-0007	N485-0007	black plug / bouchon noir	x

#	245/300	485-1	500	Description	
1	N010-0678	N010-0678	N010-0678	side panel left / panneau avant gauche	x
2	N475-0224P	N475-0302-SV1SG	N475-0302-SV1SG	back panel / panneau arrière	x
3	N525-0031P	N525-0042-SV1SG	N525-0041-SV1SG	top rail / support superior	x
4	N570-0086	N570-0086	N570-0086	#14 x 1/2" screw / vis #14 x 1/2"	x
5	N010-0677	N010-0745	N010-0745	drawer assembly / assemblage du tiroir	x
6	N525-0018P	N525-0040-SV1SG	N525-0040-SV1SG	bottom rail / support inférieur	x
7	N570-0031	N570-0031	N570-0031	leveling foot / mise à niveau du pied	x
8	N010-0575P	N010-0744-SV1SG	N010-0744-SV1SG	bottom shelf / tablette inférieur	x
9	N585-0062P	N585-0085-SV1SG	N585-0084-SV1SG	drawer dripshield / écran anti-égouttement pour tiroir	x
10	N570-0013	N570-0013	N570-0013	#8 x 1/2" screw / vis #8 x 1/2"	x
	N610-0010	N610-0010	N610-0010	slide, drawer / glisser, tiroir	x
	N485-0007	N485-0007	N485-0007	black plug / bouchon noir	x
	N105-0012	N105-0012	N105-0012	1.5" bushing / bagues de porte 1.5"	x
	N710-0066			dripan, replaces pan included with BI300 / tiroir d'égouttement, remplace le tiroir inclus avec le BI300	x



#	PART #	DESCRIPTION	
1	N010-0678	side panel / panneau avant	x
2	N570-0086	#14 x 1/2" screw / vis #14 x 1/2"	x
3	N010-0677	drawer assy / assemblage du tiroir	x
4	N570-0031	levelling foot / mise à niveau du pied	x
5	N570-0013	#8 X 1/2" screw / vis #8 X 1/2"	x
6	N475-0260P	drawer slider mounting panel / panneau d'assemblage pour glissière de tiroir	x
7	N485-0007	black plug / bouchon noir	x
8	N475-0393-SV1SG	back panel / panneau arrière	x
9	N570-0008	#8 x 1/2" screw / vis #8 x 1/2"	x
10	N010-0839-SV1SG	bottom shelf / tablette inférieur	x
11	N475-0394	cabinet fascia panel / panneau de finition pour cabinet	x
12	N585-0099-SV1SG	drawer dripshield / écran anti-égouttement pour tiroir	x
13	N525-0053-SV1SG	top rail / support superior	x
14	N525-0052-SV1SG	bottom rail / support inférieur	x
	N610-0010	drawer slide / glisser tiroir	x
	N105-0012	1.5" bushing / bagues de porte 1.5"	x

**KEEP YOUR RECEIPT AS PROOF OF PURCHASE TO VALIDATE YOUR WARRANTY.**

# Ordering Replacement Parts

## *Warranty Information*

MODEL: \_\_\_\_\_

DATE OF PURCHASE: \_\_\_\_\_

SERIAL NUMBER: \_\_\_\_\_

### ***(Record information here for easy reference)***

Before contacting the Customer Solutions Department, check the NAC Website for more extensive cleaning, maintenance, troubleshooting and parts replacement instructions at [www.napoleongrills.com](http://www.napoleongrills.com). Contact the factory directly for replacement parts and warranty claims. Our Customer Solutions Department is available between 9 AM and 5 PM (Eastern Standard Time) at 1-866-820-8686 or fax at 1-705-727-4282. To process a claim, we must be provided with the following information:

1. Model and serial number of the unit.
2. Part number and description.
3. A concise description of the problem ('broken' is not sufficient).
4. Proof of purchase (photocopy of the invoice).

In some cases the Customer Solutions Representative could request to have the parts returned to the factory for inspection before providing replacement parts. These parts must be shipped prepaid to the attention of the Customer Solutions Department with the following information enclosed:

1. Model and serial number of the unit.
2. A concise description of the problem ('broken' is not sufficient).
3. Proof of purchase (photocopy of the invoice).
4. Return Authorization Number - provided by the Customer Solutions Representative.

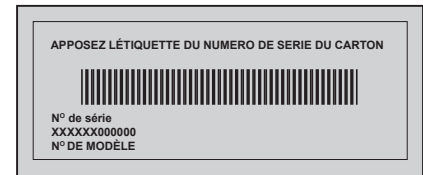
Before contacting Customer Solutions Representative, please note that the following items are not covered by the warranty:

- Costs for transportation, brokerage or export duties.
- Labor costs for removal and reinstallation.
- Costs for service calls to diagnose problems.
- Discoloration of stainless steel parts.
- Part failure due to lack of cleaning and maintenance, or use of improper cleaners (oven cleaner).

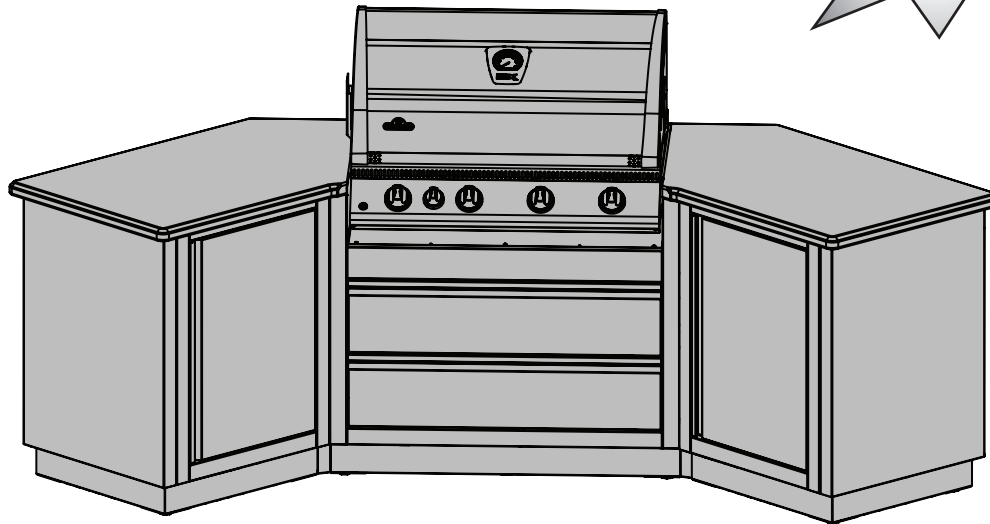
*Notes*

*Notes*

EN



FR



## INSTRUCTIONS D'ASSEMBLAGE DES CABINETS MODULAIRES

Afin d'assembler correctement votre gril encastré, veuillez vous référer à ce manuel ainsi qu'au manuel principal. Consultez ce dernier pour les instructions d'opération, de nettoyage et d'entretien. Ce gril convient uniquement à des cabinets INCOMBUSTIBLES et il doit être installé et entretenu par un installateur qualifié en respectant les codes locaux.

**GARDER CE LIVRE POUR RÉFÉRENCES FUTURES.**

Napoleon Group of Companies  
214 Bayview Dr., Barrie, Ontario, Canada L4N 4Y8  
Phone: 1-705-726-4278 Fax: (705)-727-4282  
[www.napoleongrills.com](http://www.napoleongrills.com)  
Customer Solutions: 1-866-820-8686 or [grills@napoleonproducts.com](mailto:grills@napoleonproducts.com)

Les grils à gaz NAPOLÉON sont fabriqués conformément aux normes strictes du Certificat d'assurance de qualité mondialement reconnues ISO 9001-2008.

Les produits NAPOLÉON sont conçus avec des composantes et des matériaux de qualité supérieure, assemblés par des artisans qualifiés qui sont fiers de leur travail.



FR

## GARANTIE À VIE LIMITÉE DU PRÉSIDENT

NAPOLÉON garantit votre nouveau gril à gaz contre tous défauts concernant les matériaux et le procédé de fabrication tels qu'énumérés ci-après tant et aussi longtemps que vous êtes propriétaire du gril. Cette garantie couvre: le panneau en acier inoxydable, avant de tiroir en acier inoxydable. Sous réserve des conditions suivantes. Pendant les dix premières années, NAPOLÉON remplacera gratuitement les pièces de rechange selon son choix. De la onzième année à vie, NAPOLÉON fournira les pièces de rechange à 50% du prix de détail courant. Les composantes tels que mise à niveau du pied, tige-pivot, es tuyaux et les raccords, les fixations et les accessoires sont couverts et NAPOLÉON fournira les pièces gratuitement durant la première année de la garantie limitée.

## CONDITIONS ET LIMITATIONS

NAPOLÉON n'assumera aucun frais de transport, de main-d'oeuvre ou taxes d'exportation.

« NAPOLÉON garantit ses produits contre les défauts de fabrication à l'acheteur d'origine seulement, à condition que l'achat ait été fait par l'entremise d'un détaillant autorisé NAPOLÉON et sous réserve des conditions et limitations suivantes. »

Cette garantie du fabricant n'est pas transférable et ne peut être prolongée ou étendue par aucun de nos représentants quelle qu'en soit la raison.

Le gril à gaz doit être installé par un installateur ou entrepreneur qualifié. L'installation doit être faite conformément aux instructions d'installation incluses

avec le produit et à tous les codes d'incendie et de construction locaux et nationaux.

Cette garantie limitée ne couvre pas les dommages causés par un mauvais usage, un manque d'entretien, des feux de graisse, un environnement

inadéquat, un accident, des altérations, des abus ou de la négligence, et l'installation de pièces d'autres fabricants annulera cette garantie.

Cette garantie limitée ne couvre pas non plus les égratignures, les bossellements, les surfaces peintes, la corrosion ou la décoloration causés par la

chaleur ou les produits d'entretien chimiques et abrasifs, ni l'écaillage des pièces en porcelaine émaillée ni les composants utilisés dans l'installation du gril à gaz.

Dans le cas d'une détérioration des composants causant un mauvais fonctionnement de l'appareil pendant la période couverte par la garantie, les pièces

de rechange seront fournies par Napoléon.

Au cours de la première année seulement, cette garantie s'étend à la réparation ou au remplacement des pièces garanties dont les matériaux ou la

fabrication sont défectueux sous condition que le produit ait été utilisé conformément aux instructions de fonctionnement et dans des conditions normales.

Après la première année, concernant cette Garantie à Limitée du Président, NAPOLÉON peut, à sa discrétion, se libérer entièrement de toutes obligations

concernant cette garantie en remboursant à l'acheteur d'origine le prix de gros de toute pièce garantie qui est défectueuse.

NAPOLÉON ne sera pas responsable de l'installation, de la main-d'oeuvre ou autres coûts ou dépenses relatives à la réinstallation d'une

pièce garantie, et de telles dépenses ne sont pas couvertes par cette garantie.

Nonobstant toutes les dispositions contenues dans cette Garantie à Limitée du Président, la responsabilité de NAPOLÉON sous cette garantie est définie

comme ci-dessus et elle ne s'appliquera à aucun dommage accidentel, consécutif ou indirect.

Cette garantie définit les obligations et responsabilités de NAPOLÉON concernant le gril à gaz NAPOLÉON; toutes autres garanties exprimées ou

implicites concernant ce produit, ses composants ou accessoires sont exclues.

NAPOLÉON n'endosse ni n'autorise aucun tiers à assumer en son nom toute autre responsabilité concernant la vente de ce produit. NAPOLÉON ne sera

pas responsable d'une surchauffe, de l'extinction du brûleur causée par des conditions environnementales telles que des vents forts ou une ventilation inadéquate.

Tous dommages causés au gril par les intempéries, la grêle, un usage abusif ou l'utilisation de produits chimiques ou de produits d'entretien nuisibles ne

seront pas la responsabilité de NAPOLÉON.

La facture ou sa copie sera requise ainsi que le numéro de série et de modèle du gril lors d'une réclamation auprès de NAPOLÉON.

NAPOLÉON se réserve le droit de demander à son représentant d'inspecter tous produits ou pièces avant d'honorer toute réclamation.

NAPOLÉON n'assumera aucuns frais de transport, de main-d'oeuvre ou taxes d'exportation.

## PLANIFICATION DE VOTRE ÎLOT MODULAIRE EXTÉRIEUR NAPOLÉON

La polyvalence est à la base de la conception de la série des îlots modulaires extérieurs Napoléon. Pour convenir à vos besoins, la configuration des cabinets est presque illimitée. Les îlots peuvent être installés contre un mur de la maison ou comme îlot isolé, créant ainsi l'élément central de votre cour arrière. Grâce à ses fonctions multiples et à sa capacité de rangement, votre îlot peut être transformé en une cuisine extérieure. Ainsi, l'hôte évolue au cœur de l'action lorsqu'il reçoit ses invités.

Les cabinets sont conçus pour être facilement assemblés et installés par le propriétaire ou un entrepreneur. Tous les cabinets mesurent 35" (889 mm) de haut par 24" (610 mm) de profond. Tous les cabinets mesurent 24" (610 mm) de large sauf les cabinets pour grils ENCASTRÉS dont la largeur correspond à celle de l'appareil pour lequel il est conçu. Le contrôle de température est situé à l'arrière du réfrigérateur. Le cabinet est muni d'un panneau amovible donnant accès au contrôle de température. Assurez-vous que le panneau demeure accessible une fois que le cabinet est installé. Chaque cabinet est muni de quatre pattes de nivellement pour un ajustement facile sur les surfaces inégales. Les cabinets à deux tiroirs sont conçus pour les grils ENCASTRÉS Napoléon seulement et sont offerts en plusieurs grandeurs. Les grils ENCASTRÉS sont de grandeurs différentes. Consultez le manuel d'instructions de votre grill pour obtenir les instructions d'installation et de fonctionnement appropriées.

Les grils encastrés de la série BUILT-IN sont disponibles en tant que modèle fonctionnant au propane ou au gaz naturel. Le gaz naturel est le choix évident pour plusieurs des personnes qui l'utilisent déjà dans leur maison. Toutes les modifications ou installations relatives au gaz doivent être faites par un installateur de gaz qualifié. Les panneaux latéraux et arrière possèdent des plaques poinçonnées pour faciliter l'installation et le passage de la tuyauterie. Ceux qui opteront pour un grill au propane pourront aussi se procurer un cabinet pour y insérer le réservoir.

Les cabinets peuvent être installés contre un mur INCOMBUSTIBLE de la maison, un demi-mur en maçonnerie ou enduit de stuc, ou encore en tant qu'îlot isolé. Assurez-vous que la ventilation soit adéquate à l'arrière du cabinet du réfrigérateur - un espace minimal de 6" (150 mm) est requis entre l'arrière du cabinet et les structures adjacentes. Ne bloquez jamais les ouvertures de ventilation situées à l'arrière du cabinet sinon le réfrigérateur risque de surchauffer. Lorsque vous placez un îlot contre un mur, un espace doit être ménagé pour permettre de lever le couvercle du grill. Pour ce faire, vous devez acheter et installer un espaceur mural optionnel de 4 po. L'espaceur sert aussi à fermer l'espace entre le cabinet et le mur pour éviter que des débris ou des rongeurs y pénètrent. Pour une finition plus élégante, des panneaux d'extrémité, finis peints à base de poudre et d'une largeur de 2 po, peuvent être achetés pour recouvrir les ouvertures laissées par les plaques poinçonnées et les trous de montage situés dans les panneaux extérieurs des cabinets d'extrémité.

Lorsque vous utilisez des pièces de transition de 45° et 90°, les modules de chaque côté des pièces de transition doivent être choisis soigneusement. Si des modules avec des portes ou des tiroirs sont utilisés de chaque côté d'une pièce de transition, ils se nuiront l'un l'autre lors de l'ouverture. Si un module avec tiroir est placé à côté d'un grill, le panneau de commande du grill empêchera l'ouverture du tiroir supérieur. La même chose s'applique pour le module avec le tiroir à déchets/porte essuie-tout. Les modules avec portes peuvent être installés à côté des pièces de transition de 45°, cependant, le panneau de commande du grill empêchera la porte de s'ouvrir complètement et risque d'endommager la porte. Le module idéal pour cette application est le module à deux tiroirs (faux tiroir dans le haut).

Des ensembles de brûleur latéral optionnels sont disponibles auprès de votre détaillant de grill à gaz Napoléon. Ces ensembles de brûleur latéral complètent à merveille les grils encastrés de la série BUILT-IN. Nous recommandons d'installer l'ensemble de brûleur latéral sur le dessus d'un cabinet IM-2DC. Le devant à faux tiroir dans le haut de ce cabinet fournit l'espace nécessaire pour le passage de la soupape et du boyau du brûleur. Le cabinet IM-2DC procure aussi l'espace requis pour ceux qui aimeraient installer un évier dans leur cuisine extérieure.

Les comptoirs doivent être commandés et fournis par le propriétaire. Si le grill est incorporé dans le comptoir, ce dernier doit être de nature INCOMBUSTIBLE. Les comptoirs peuvent être commandés à l'avance. Il suffit de faire un croquis de l'emplacement des cabinets et de calculer les dimensions du comptoir, en y ajoutant un surplomb de 1 à 2 pouces (25 mm-51 mm). La plupart des fabricants de comptoirs acceptent de venir prendre les mesures une fois l'assemblage des cabinets complété afin d'assurer un ajustement parfait. Pour de meilleurs résultats, l'épaisseur du comptoir devrait être de ½ à 1 ½ pouce (13 mm-38mm). Le grill encastré est muni de supports en acier inoxydable et de ferrures qui permettent à l'appareil d'être placé sur le comptoir, au-dessus du cabinet approprié. Le granite, le MeganiteMD ou le Corian® représentent d'excellents choix de matériaux pour le comptoir. Afin de les agencer aux couleurs de vos meubles extérieurs, vous pouvez opter pour des comptoirs décoratifs faits de carreaux de céramique reposant sur un panneau de béton.

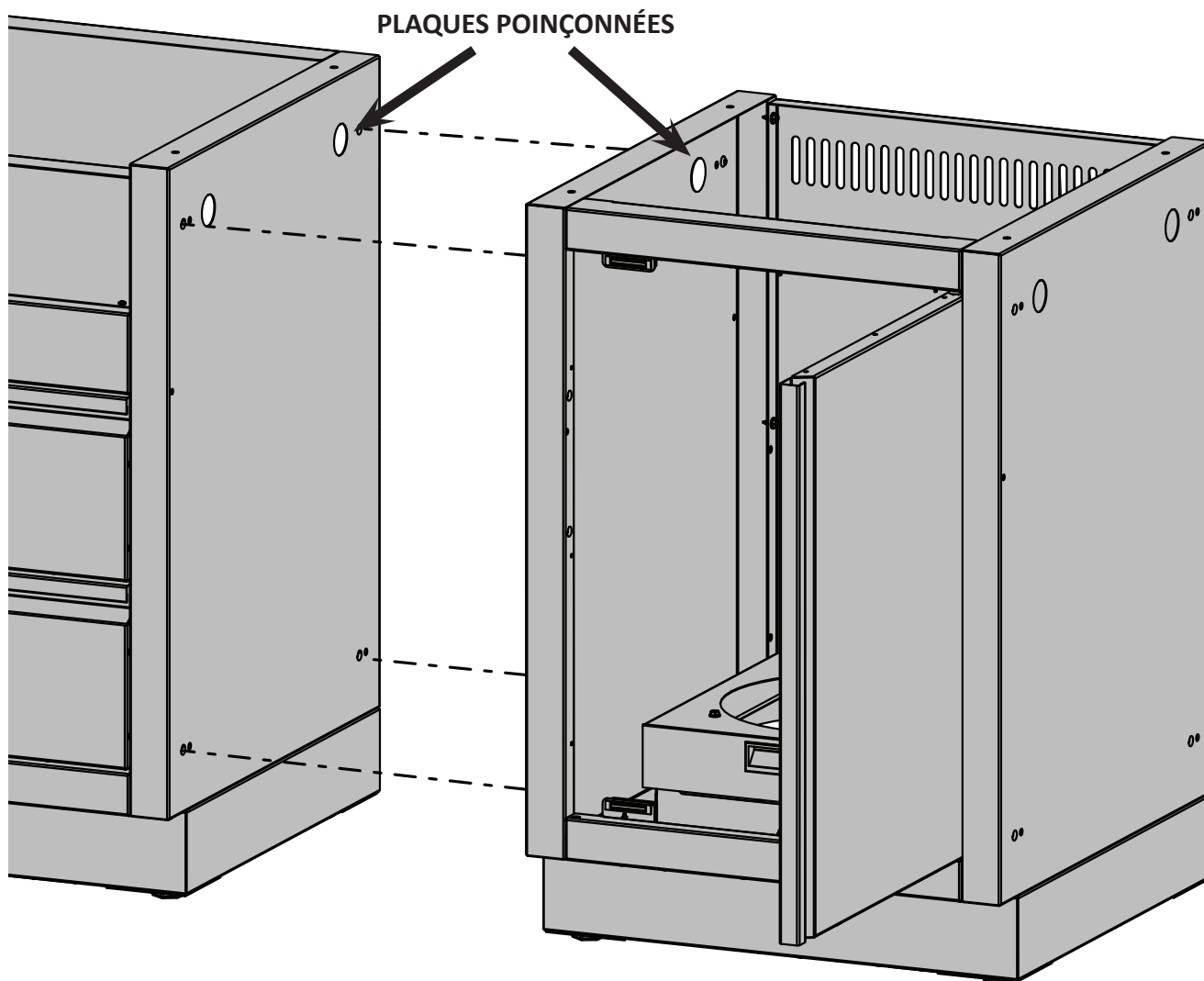
**OUTILS REQUIS POUR L'ASSEMBLAGE (outils non inclus)**

3/8" (10mm)

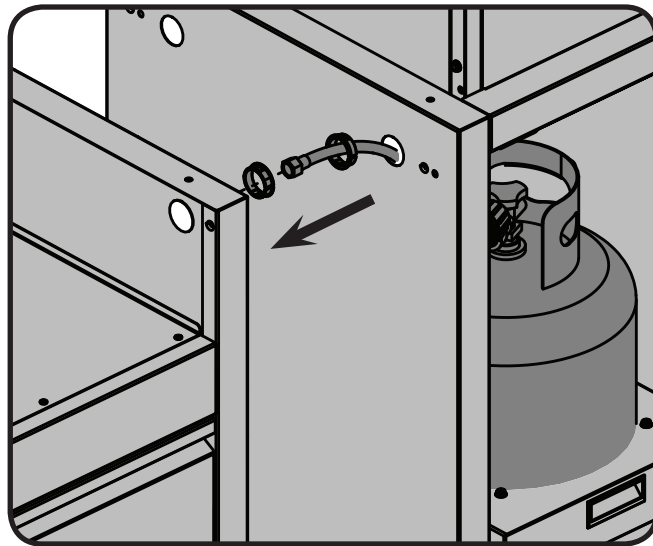
**INSTALLATION DE L'ALIMENTATION ÉLECTRIQUE ET DE LA TUYAUTERIE POUR LE GAZ**

L'installateur est responsable d'acheminer la tuyauterie au gril à gaz. La tuyauterie devrait être installée comme montré dans le manuel du gril encastré. Ne pas utiliser de boyau pour brancher l'appareil. Le branchement doit être fait avec du tuyau rigide, du tuyau de cuivre ou un raccord métallique flexible approuvé. L'installation doit être conforme à la norme CAN B149.1 du Code d'installation du gaz naturel et du propane au Canada, ou à la norme ANSI Z223.1 du National Fuel Gas Code aux États-Unis. Le diamètre minimal recommandé pour le tuyau rigide est de ½ po NPS et celui du tuyau de cuivre de ½ po (selon une longueur de 20 pi.) Si la longueur est plus grande, un diamètre supérieur peut être nécessaire pour être conforme à la norme CAN B149.1 du Code d'installation du gaz naturel et du propane au Canada, ou à la norme ANSI Z223.1 du National Fuel Gas Code aux États-Unis. Consultez le manuel fourni avec le gril à gaz pour obtenir d'autres directives.

Pour faciliter l'installation et le passage de la tuyauterie, des plaques poinçonnées se trouvent dans les panneaux latéraux et au centre de chacun des panneaux arrière. Les plaques poinçonnées situées sur les panneaux latéraux doivent être enlevées avant d'assembler les rangées de cabinets. N'enlevez que les plaques poinçonnées nécessaires pour passer la tuyauterie pour le gaz, la plomberie et les fils électriques.



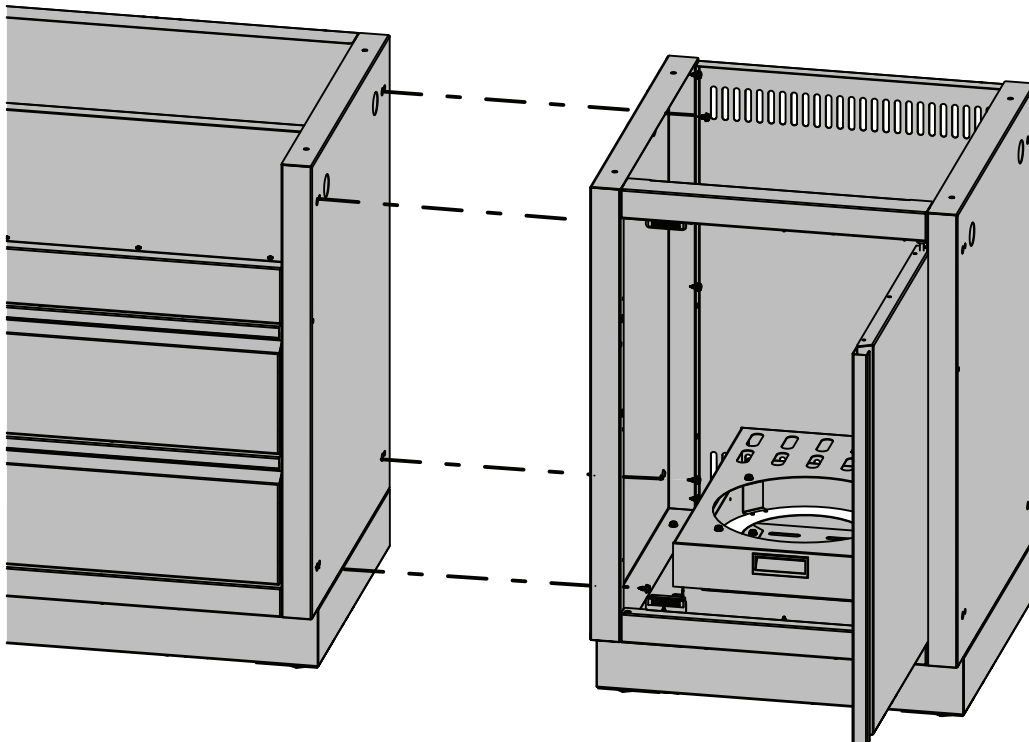
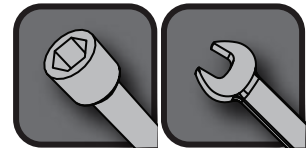
## IM-UTC ACHEMINEMENT DU BOYAU D'ALIMENTATION EN PROPANE



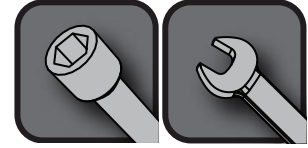
Le branchement du gaz des grils Napoléon se trouve à la gauche du panneau de contrôle. Placer le cabinet pour réservoir de propane à gauche du cabinet pour gril simplifiera l'installation de la tuyauterie pour le gaz. Des plaques ont été poinçonnées dans les panneaux latéraux et arrière pour faciliter l'installation de l'alimentation électrique et de la tuyauterie pour le gaz. Une fois les plaques poinçonnées enlevées, une bague doit y être insérée pour éviter que les conduites de gaz ou les fils électriques ne s'endommagent sur les bords de l'ouverture. L'installation de la tuyauterie pour le gaz doit être faite par un installateur de gaz qualifié.

FR

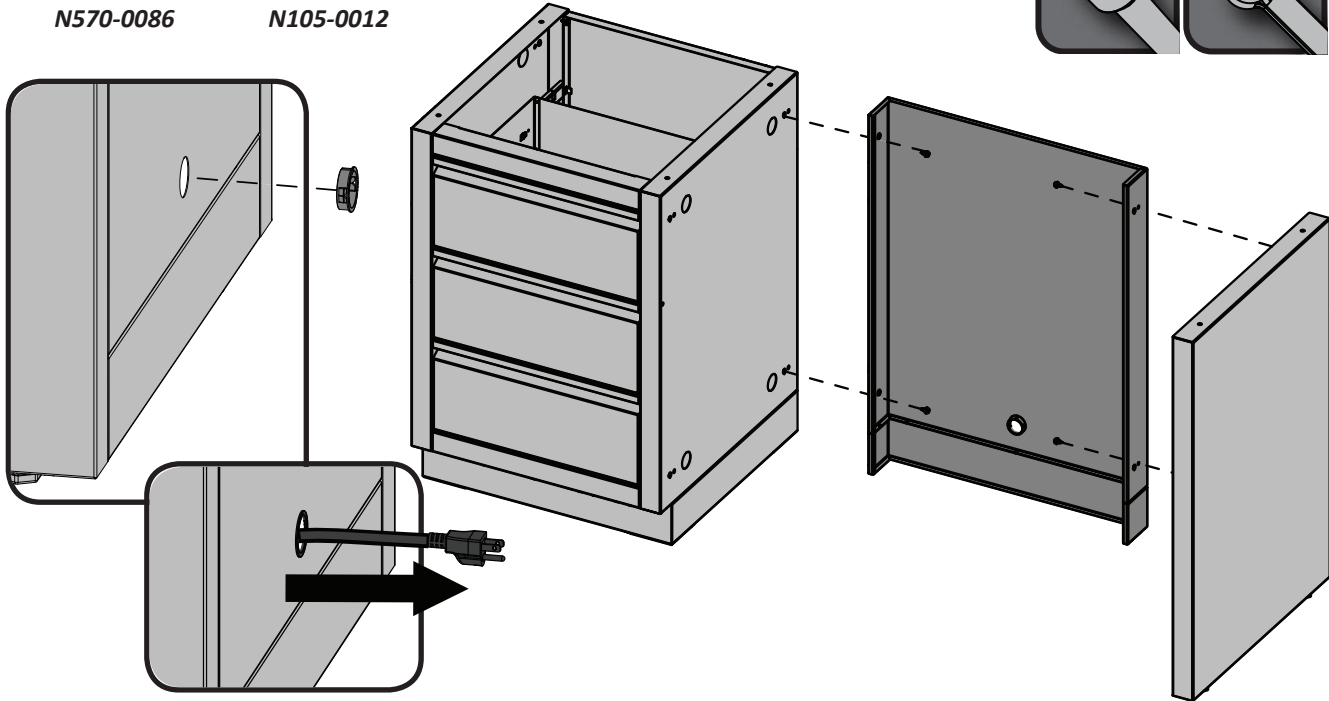
## INSTALLATION DE CABINETS CÔTE À CÔTE



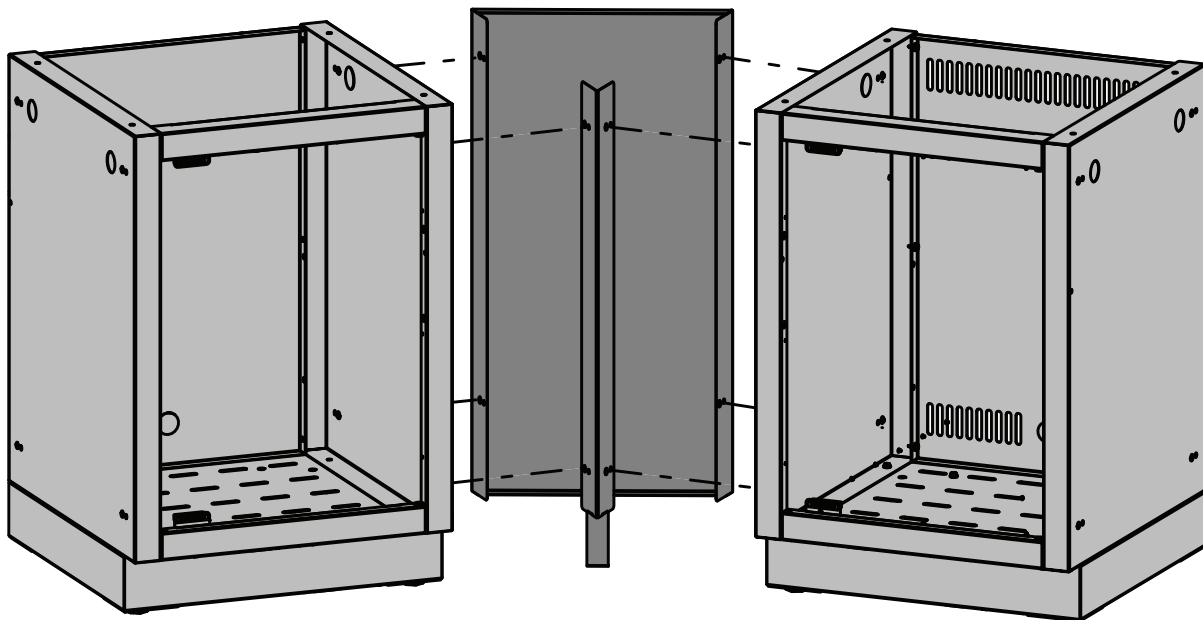
## IM-FMP/FEP PANNEAU D'ATTACHE DE REFRIGERATEUR



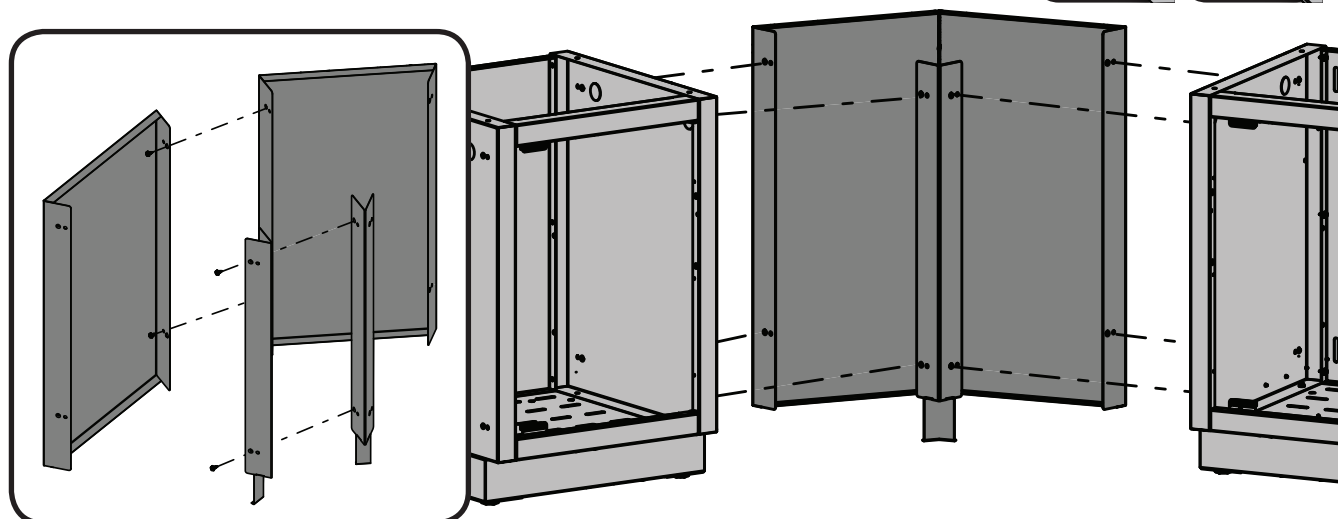
FR



## IM-45T RACCORDEMENT DE CABINETS À 45 DEGRÉS

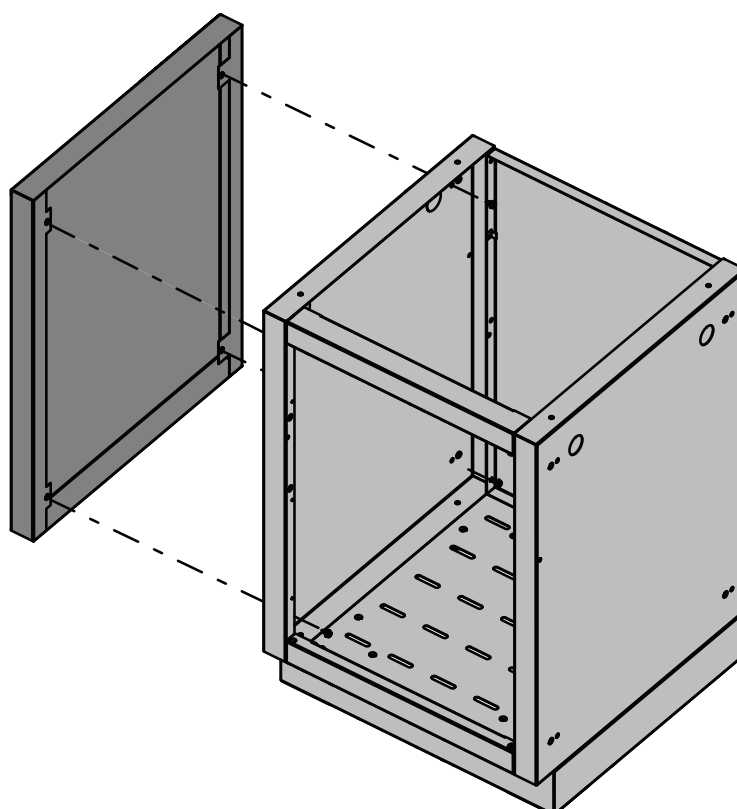


## IM-45T X 2 RACCORDEMENT DE CABINETS À 90 DEGRÉS



FR

## IM-CEP ENSEMBLE DE PANNEAU D'EXTRÉMITÉ

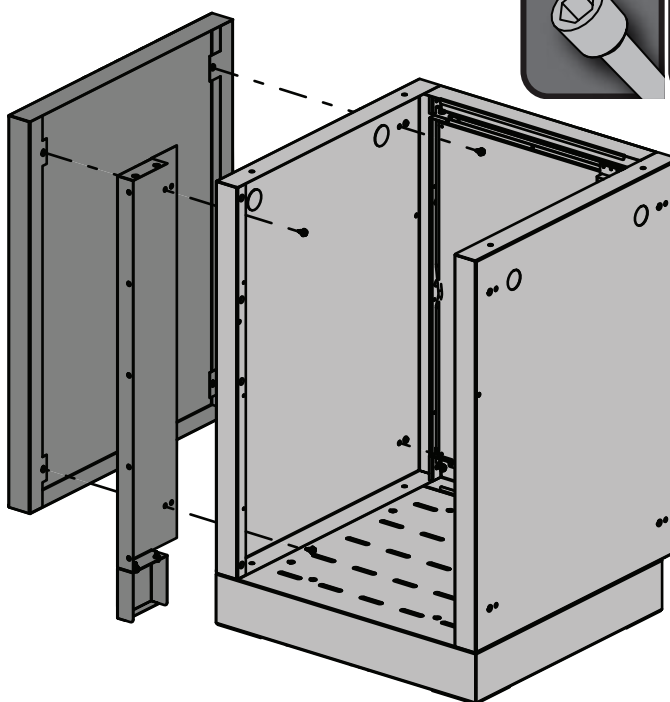
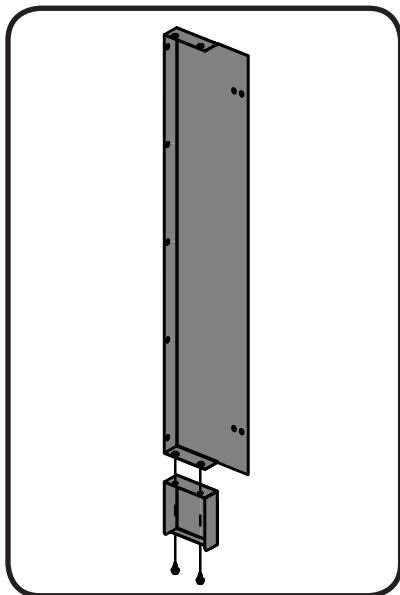


# IM-CEP / IM-WSF ENSEMBLE DE PANNEAU D'EXTRÉMITÉ

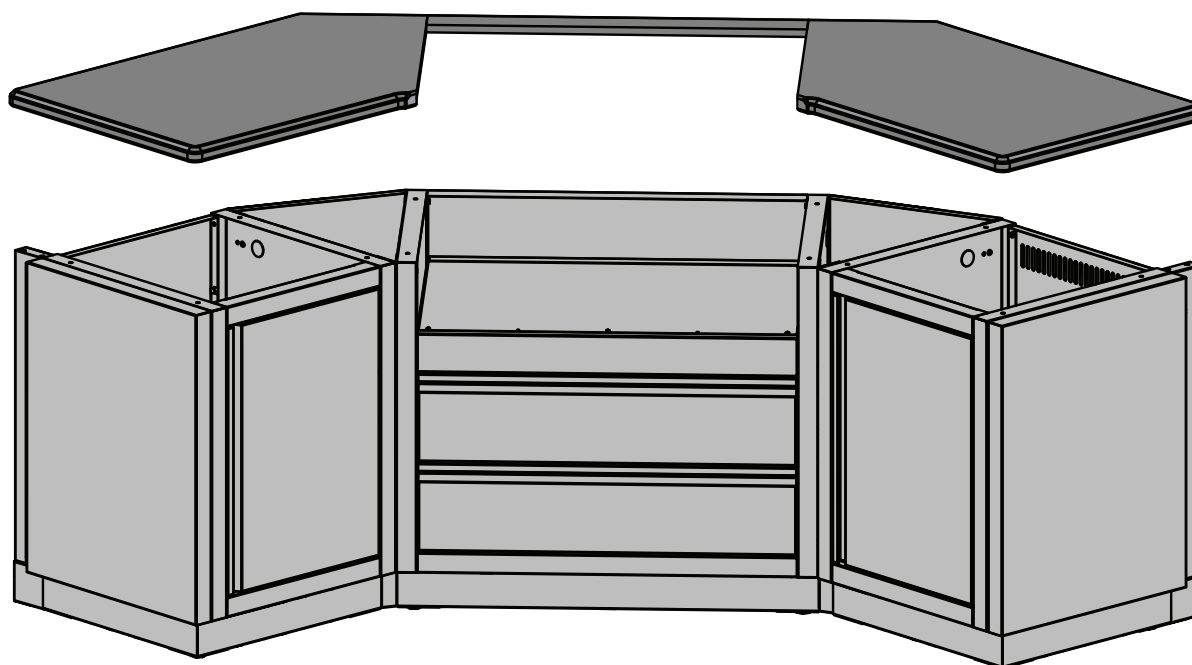


N570-0086

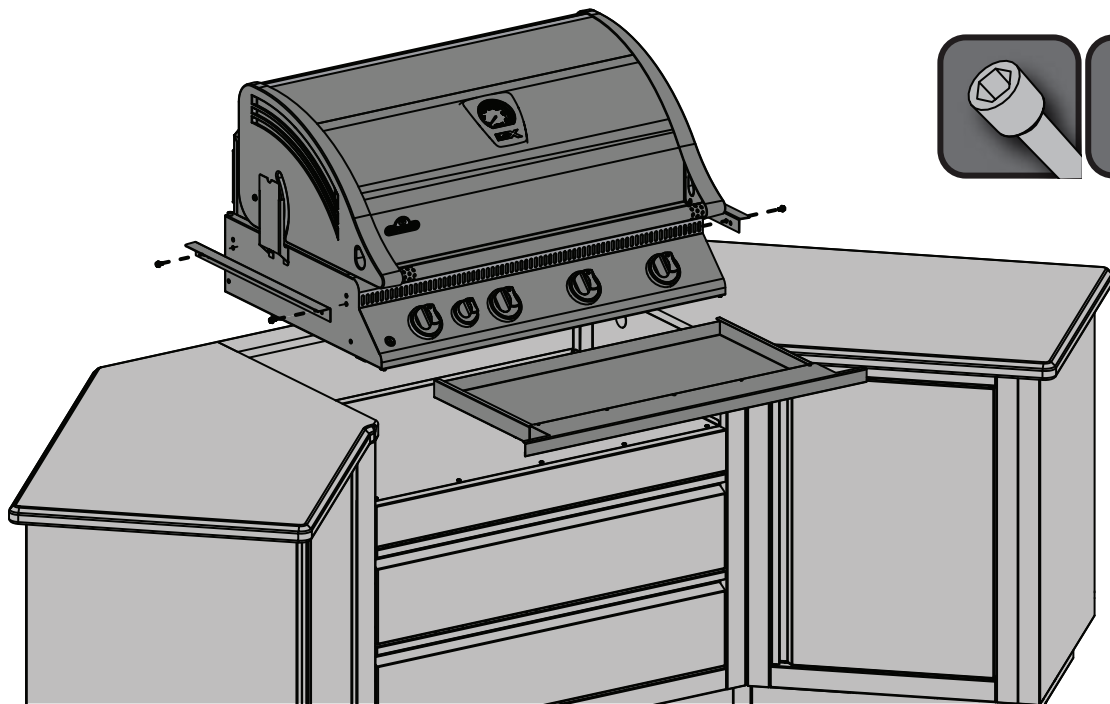
FR



ILLUSTRÉ SANS LE PANNEAU ARRIÈRE

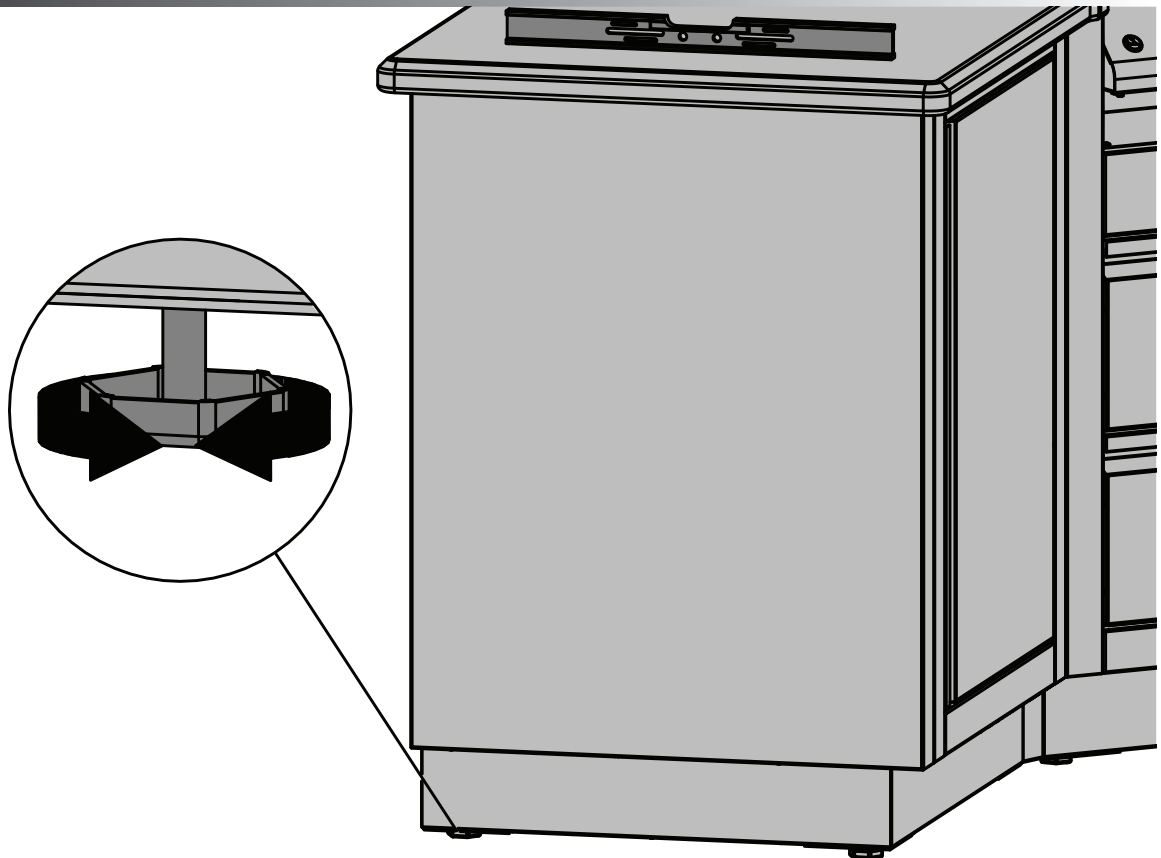


**FIXEZ LE COMPTOIR EN RESPECTANT LES DIRECTIVES DU FABRICANT. DES TROUS ONT ÉTÉ MÉNAGÉS DANS LE REBORD SUPÉRIEUR DES PANNEAUX LATÉRAUX POUR Y INSÉRER LES PIÈCES DE FIXATION.**



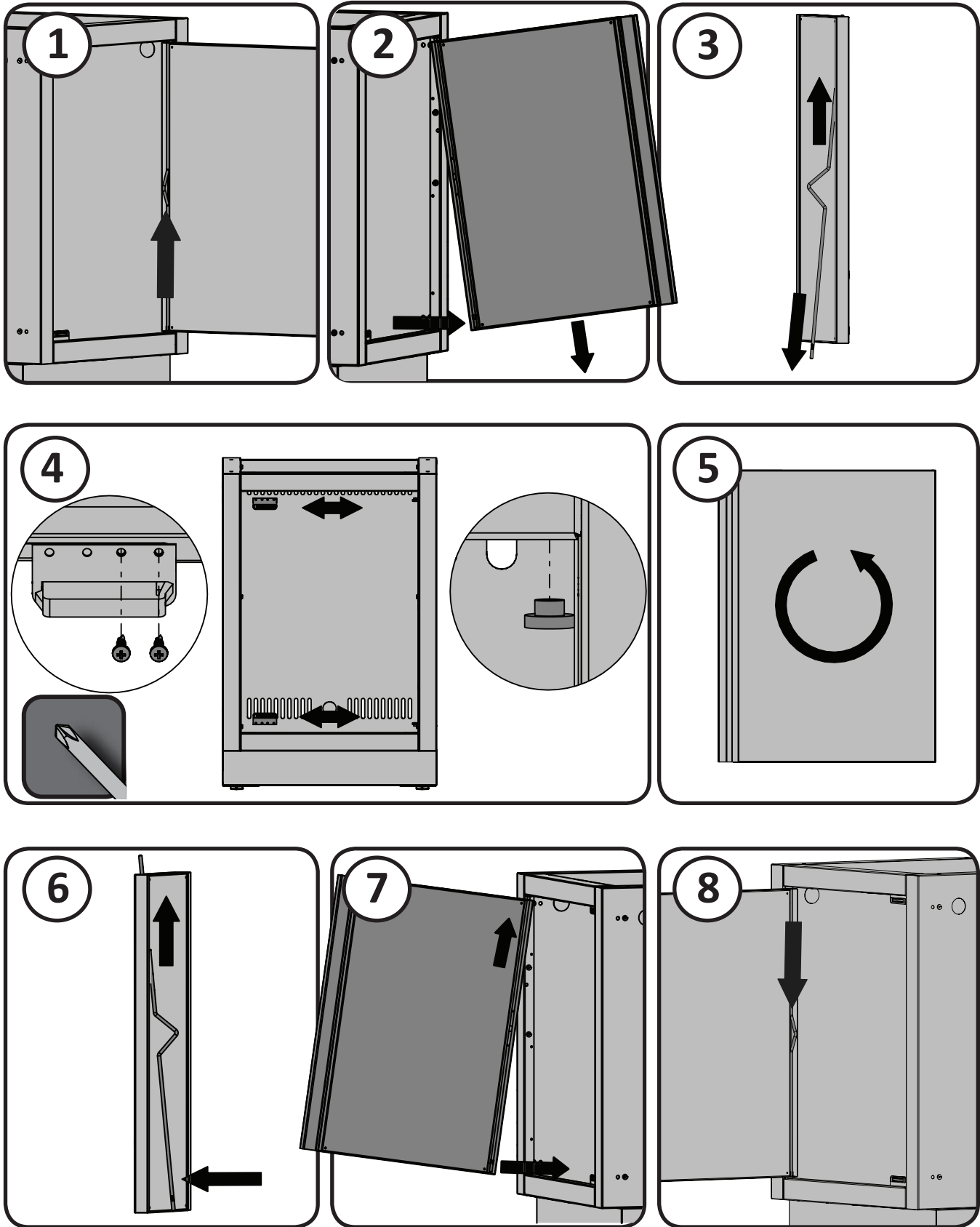
POUR DES DIRECTIVES COMPLÈTES, CONSULTEZ LE MANUEL QUI ACCOMPAGNE LE GRIL ENCASTRÉ. LA TUYAUTERIE POUR LE GAZ DOIT ÊTRE INSTALLÉE PAR UN INSTALLATEUR POUR LE GAZ AUTORISÉ.

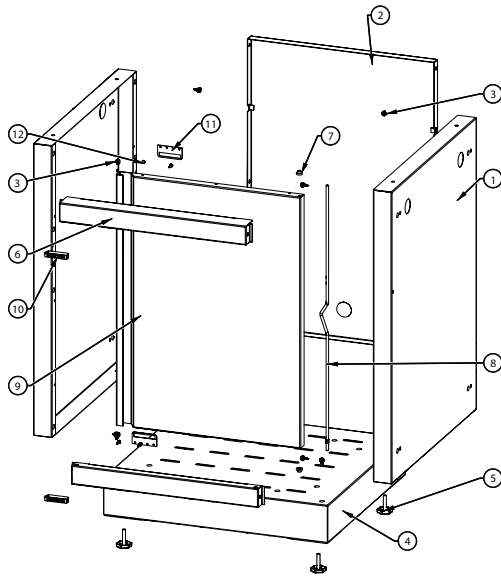
## MISE DE NIVEAU DU CABINET



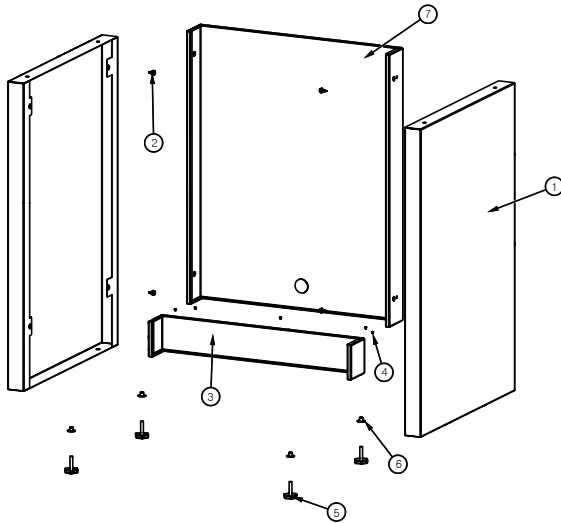
# PORTE INVERSE

FR

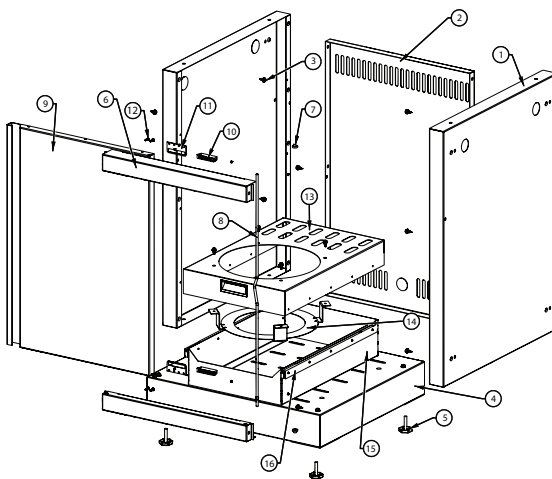




#	Part #	Description	IM-UDC
1	N475-0223P	side panel / panneau avant	x
2	N475-0224P	back panel / panneau arrière	x
3	N570-0086	#14 x 1/2" screw / vis #14 x 1/2"	x
4	N010-0575P	bottom shelf assembly / ensemble de tablette inférieur	x
5	N570-0031	leveling foot / mise à niveau du pied	x
6	N525-0018P	top/bottom rail / support superior/inférieur	x
7	N105-0011	door bushing / bagues de porte	x
8	N555-0023	door pivot rod / tige-pivot de porte	x
9	N010-0590	door assembly / ensemble de porte	x
10	N430-0002	magnetic catch / loquet magnétique	x
11	N080-0232P	door magnet bracket / support de magnétique	x
12	N570-0013	#8 x 5/8" screw / vis #8 x 5/8"	x

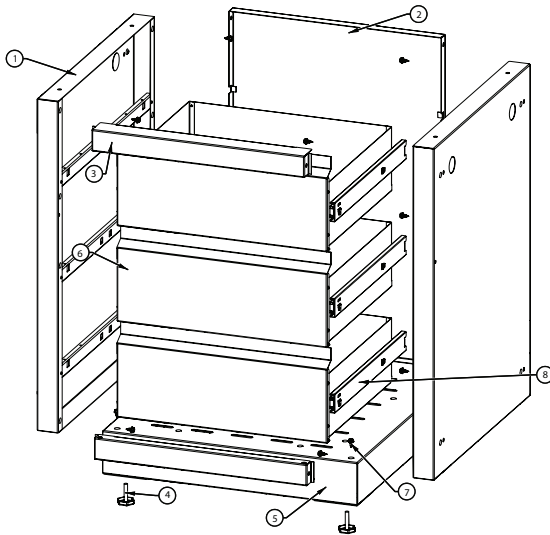


#	Part #	Description	IM-FMP/FEP
1	N475-0404-SV1SG	side panel / panneau avant	x
2	N570-0086	#14 x 1/2" screw / vis #14 x 1/2"	x
3	N525-0055-SV1SG	bottom rail / support inférieur	x
4	N545-0005	rivet / rivet	x
5	N570-0031	leveling foot / mise à niveau de pied	x
6	N450-0046	nut / écrou	x
7	N475-0403-SV1SG	back panel / panneau arrière	x

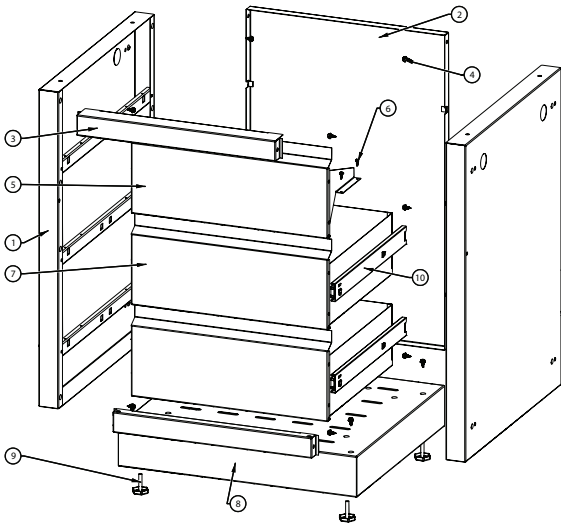


#	Part #	Description	IM-UTC
1	N475-0223P	side panel / panneau avant	x
2	N475-0237P	back panel / panneau arrière	x
3	N570-0086	screw , #14 x 1/2" / vis #14 x 1/2"	x
4	N010-0575P	assembly, bottom shelf / ensemble de tablette inférieur	x
5	N570-0031	leveling foot / mise à niveau du pied	x
6	N525-0018P	top/bottom rail / support superior/inférieur	x
7	N105-0011	door bushing / bagues de porte	x
	N105-0012	1.5" bushing / bagues de porte 1.5"	x
8	N555-0023	door pivot rod / tige-pivot de porte	x
9	N010-0590	door assembly / ensemble de porte	x
	N325-0016	door handle / poignée de porte	x
10	N430-0002	magnetic catch / loquet magnétique	x
11	N080-0232P	door magnet bracket / support de magnétique	x
12	N570-0013	#8 x 5/8" screw / vis #8 x 5/8"	x
13	N710-0061P	tank drawer / compartiment à bonbonne	x
14	N010-0360P	tank support ring / support du bonbonne	x
15	N080-0225P	tank drawer support bracket / compartiment à bonbonne support	x
16	N610-0004	drawer slide / glisser tiroir	x

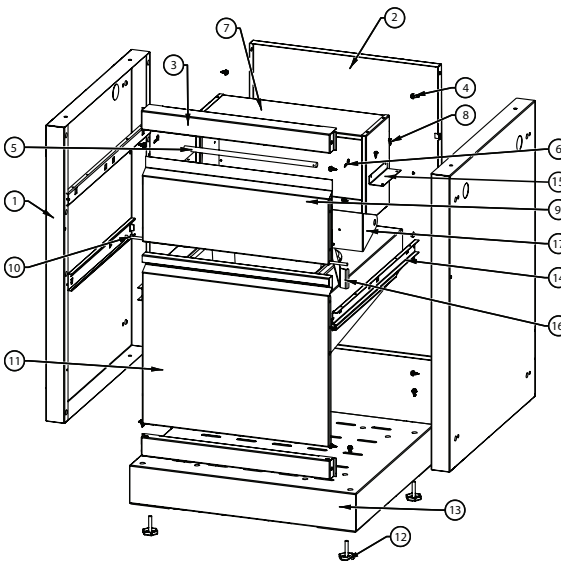
FR



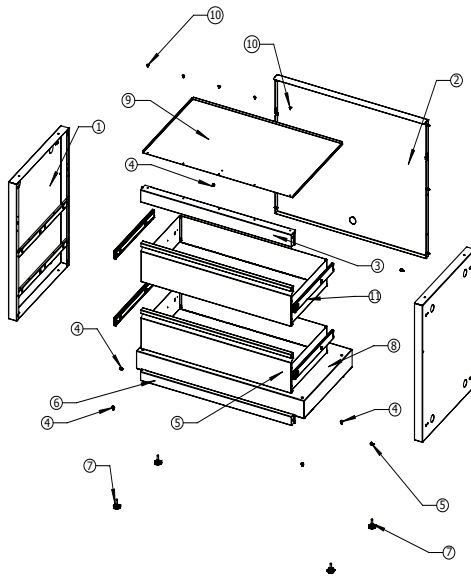
#	Part #	Description	IM-3DC
1	N010-0678	side panel / panneau avant	x
2	N475-0224P	back panel / panneau arrière	x
3	N525-0018P	top/bottom rail / support superior/inférieur	x
4	N570-0031	leveling foot / mise à niveau du pied	x
5	N010-0575P	assembly, bottom shelf / ensemble de tablette inférieure	x
6	N010-0677	drawer assembly / assemblage du tiroir	x
7	N570-0086	#14 x 1/2" screw / vis #14 x 1/2"	x
8	N610-0010	drawer slide / glisser, tiroir	x



#	Part #	Description	IM-2DC
1	N010-0678	side panel / panneau avant	x
2	N475-0224P	back panel / panneau arrière	x
3	N525-0018P	top/bottom rail / support superior/inférieur	x
4	N570-0086	#14 x 1/2" screw / vis #14 x 1/2"	x
5	N010-0574	false drawer front / avant faux de tiroir	x
6	N570-0008	#8 x 1/2" screw / vis #8 x 1/2"	x
7	N010-0677	drawer assembly / assemblage du tiroir	x
8	N010-0575P	bottom shelf assembly / ensemble de tablette inférieure	x
9	N570-0031	leveling foot / mise à niveau du pied	x
10	N610-0010	drawer slide / glisser tiroir	x



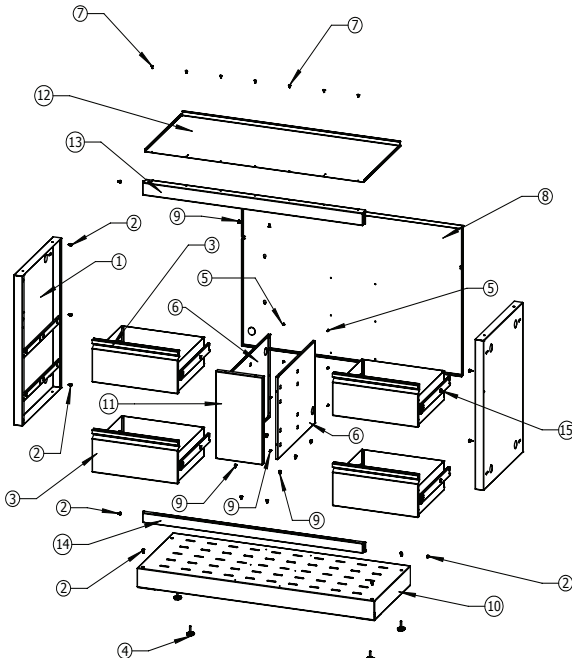
#	Part #	Description	IM-WDC
1	N010-0678	side panel / panneau avant	x
2	N475-0224P	back panel / panneau arrière	x
3	N525-0018P	top/bottom rail / support superior/inférieur	x
4	N570-0086	#14 x 1/2" screw / vis #14 x 1/2"	x
5	N555-0032	paper towel rod / tige pour essuie-tout	x
6	N485-0012	cotter pin / vis	x
7	N010-0576P	paper towel housing assembly / assemblage de la porte du compartiment à essuie-tout	x
8	N570-0008	#8 x 1/2" screw / vis #8 x 1/2"	x
9	N010-0578	paper towel door assembly / assemblage de compartiment pour essuie-tout	x
10	N555-0031	pivot rod / tige-pivot	x
11	N010-0679	drawer assembly, trash can / assemblage du tiroir, panier à déchets	x
12	N570-0031	leveling foot / mise à niveau du pied	x
13	N010-0575P	assembly, bottom shelf / ensemble de tablette inférieure	x
14	N610-0010	drawer slide / glisser tiroir	x
15	N080-0228P	paper towel housing bracket / support tiroir de serviette en papier	x
16	N080-0230P	door stop bracket / support cale-porte	x
17	N160-0018	paper towel bracket / support de serviette en papier	x
	N185-0004	waste bin / poubelle	x



#	605	665	730	Description	
1	N010-0678	N010-0678	N010-0678	side panel / panneau avant	x
2	N475-0231P	N475-0392-SV1SG	N475-0233P	back panel / panneau arrière	x
3	N525-0020P	N525-0050-SV1SG	N525-0021P	top rail / support supérieur	x
4	N570-0086	N570-0086	N570-0086	#14 x 1/2" screw / vis #14 x 1/2"	x
5	N010-0682	N010-0682	N010-0683	drawer assembly / assemblage du tiroir	x
6	N525-0023P	N525-0023P	N525-0024P	bottom rail / support inférieur	x
7	N570-0031	N570-0031	N570-0031	leveling foot / mise à niveau du pied	x
8	N010-0581P	N010-0581P	N010-0583P	bottom shelf / tablette inférieur	x
9	N585-0051P	N585-0051P	N585-0052P	drawer dripshield / écran anti-égouttement pour tiroir	x
10	N570-0013	N485-0007	N570-0013	#8 x 5/8" screw / vis #14 x 5/8"	x
11	N610-0010	N610-0010	N610-0010	drawer slide / glisser tiroir	x
	N105-0012	N105-0012	N105-0012	1.5" bushing / bagues de porte 1.5"	x
	N485-0007	N485-0007	N485-0007	black plug / bouchon noir	x

FR

#	245/300	485-1	500	Description	
1	N010-0678	N010-0678	N010-0678	side panel left / panneau avant gauche	x
2	N475-0224P	N475-0302-SV1SG	N475-0302-SV1SG	back panel / panneau arrière	x
3	N525-0031P	N525-0042-SV1SG	N525-0041-SV1SG	top rail / support supérieur	x
4	N570-0086	N570-0086	N570-0086	#14 x 1/2" screw / vis #14 x 1/2"	x
5	N010-0677	N010-0745	N010-0745	drawer assembly / assemblage du tiroir	x
6	N525-0018P	N525-0040-SV1SG	N525-0040-SV1SG	bottom rail / support inférieur	x
7	N570-0031	N570-0031	N570-0031	leveling foot / mise à niveau du pied	x
8	N010-0575P	N010-0744-SV1SG	N010-0744-SV1SG	bottom shelf / tablette inférieur	x
9	N585-0062P	N585-0085-SV1SG	N585-0084-SV1SG	drawer dripshield / écran anti-égouttement pour tiroir	x
10	N570-0013	N570-0013	N570-0013	#8 x 1/2" screw / vis #8 x 1/2"	x
	N610-0010	N610-0010	N610-0010	slide, drawer / glisser, tiroir	x
	N485-0007	N485-0007	N485-0007	black plug / bouchon noir	x
	N105-0012	N105-0012	N105-0012	1.5" bushing / bagues de porte 1.5"	x
	N710-0066			dripan, replaces pan included with BI300 / tiroir d'égouttement, remplace le tiroir inclus avec le BI300	x



#	PART #	DESCRIPTION	
1	N010-0678	side panel / panneau avant	x
2	N570-0086	#14 x 1/2" screw / vis #14 x 1/2"	x
3	N010-0677	drawer assy / assemblage du tiroir	x
4	N570-0031	levelling foot / mise à niveau du pied	x
5	N570-0013	#8 X 1/2" screw / vis #8 X 1/2"	x
6	N475-0260P	drawer slider mounting panel / panneau d'assemblage pour glissière de tiroir	x
7	N485-0007	black plug / bouchon noir	x
8	N475-0393-SV1SG	back panel / panneau arrière	x
9	N570-0008	#8 x 1/2" screw / vis #8 x 1/2"	x
10	N010-0839-SV1SG	bottom shelf / tablette inférieur	x
11	N475-0394	cabinet fascia panel / panneau de finition pour cabinet	x
12	N585-0099-SV1SG	drawer dripshield / écran anti-égouttement pour tiroir	x
13	N525-0053-SV1SG	top rail / support supérieur	x
14	N525-0052-SV1SG	bottom rail / support inférieur	x
	N610-0010	drawer slide / glisser tiroir	x
	N105-0012	1.5" bushing / bagues de porte 1.5"	x

**GARDEZ VOTRE REÇU COMME PREUVE D'ACHAT POUR VALIDER VOTRE**

# Commande De Pièces De Rechange

## Information Sur La Garantie

MODÈLE: \_\_\_\_\_

DATE D'ACHAT: \_\_\_\_\_

NUMÉRO DE SÉRIE: \_\_\_\_\_

### ***(Inscrivez l'information ici pour y avoir accès facilement.)***

Avant de contacter le département du service aux consommateurs, consultez le site Web de NAC pour obtenir plus d'instructions sur le nettoyage, l'entretien, le dépannage et le remplacement des pièces à [www.napoleongrills.com](http://www.napoleongrills.com). Contactez le fabricant directement pour obtenir des pièces de rechange et faire des réclamations au titre de la garantie. Le département du service aux consommateurs est à votre disposition entre 9 h et 17 h (heure normale de l'Est) au 1-866-820-8686 ou par télécopieur au 705-727-4282. Pour qu'une réclamation soit traitée, l'information suivante est nécessaire :

1. Modèle et numéro de série de l'appareil.
2. Numéro de la pièce et description.
3. Description concise du problème (« brisé » n'est pas suffisant).
4. Preuve d'achat (copie de la facture).

Dans certains cas, le département du service aux consommateurs peut demander de retourner la pièce pour des fins d'inspection avant de fournir une pièce de rechange. Les pièces doivent être expédiées port payé à l'attention du département du service aux consommateurs avec l'information suivante :

1. Modèle et numéro de série de l'appareil.
2. Description concise du problème (« brisé » n'est pas suffisant).
3. Preuve d'achat (copie de la facture).
4. Numéro d'autorisation de retour - fourni par le représentant du département du service aux consommateurs.

Avant de contacter le service aux consommateurs, veuillez prendre note que les items suivants ne sont pas couverts par la garantie :

- coûts de transport, de courtage et frais d'exportation;
- coûts de main-d'oeuvre pour l'enlèvement et l'installation de la pièce;
- coûts des appels de service pour diagnostiquer le problème;
- décoloration des pièces en acier inoxydable;
- bris des pièces causé par un manque d'entretien et de nettoyage, ou par l'utilisation de nettoyeurs inappropriés (nettoyant à fourneau).

*Notes*

FR



N415-0380