

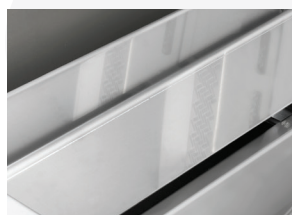
NEW PRODUCT ANNOUNCEMENT

ROGUE R425SIBNSS | R425SIBPSS AVAILABLE FOR SHIPPING 2016

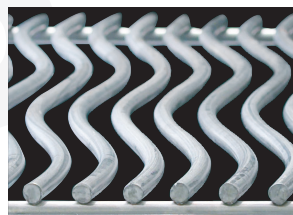
ROGUE

Product Features

- 45,000 total BTU'S
- 3 stainless steel 12,000 BTU tube burners
- 9,000 BTU infrared SIZZLE ZONE™ side burner
- 425 sq. in. main grilling area. 625 sq. in. total cooking area
- New design cuts assembly time in half over comparable models
- DUAL-LEVEL stainless steel sear plates
- Stainless steel 7.5mm WAVE™ cooking grids and chrome plated warming rack
- Stainless steel lid and doors with integrated inside storage compartment
- Detachable storage shelf on exterior side panels for convenient accessibility
- ACCU-PROBE™ temperature gauge
- Space saving, folding stainless steel side shelves with integrated tool hooks
- Pedestal base with easy locking casters
- Available in Natural Gas or Propane
- Propane model features tank stability ring
- Backed by the President's Limited Lifetime Warranty



DUAL-LEVEL
Stainless steel sear plates



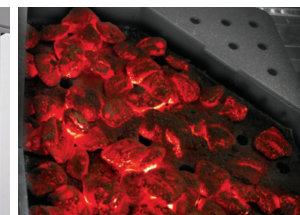
Stainless Steel WAVE™ Cooking Grids



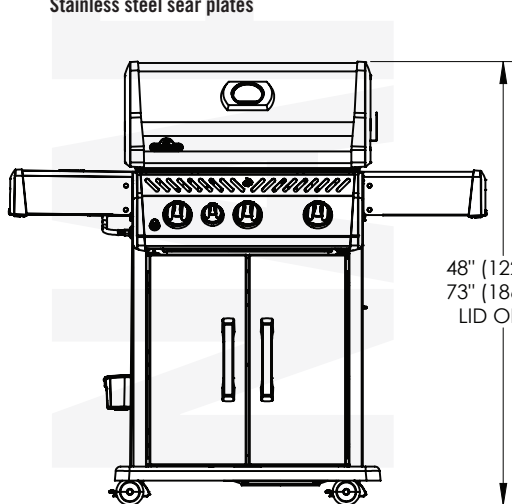
Infrared SIZZLE ZONE™ Side Burner



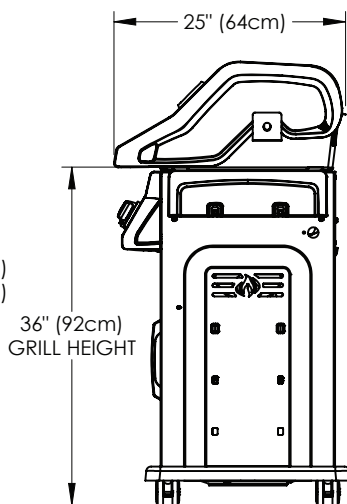
Detachable Storage Basket



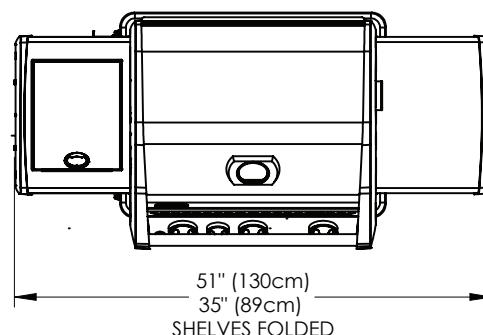
Fits the Optional Exclusive Cast Iron
Charcoal Tray



48" (122cm)
73" (186cm)
LID OPEN



25" (64cm)
36" (92cm)
GRILL HEIGHT



51" (130cm)
35" (89cm)
SHELVES FOLDED