

MICROWAVE OVEN BUILT-IN TRIM KITS INSTALLATION INSTRUCTIONS

CAUTION

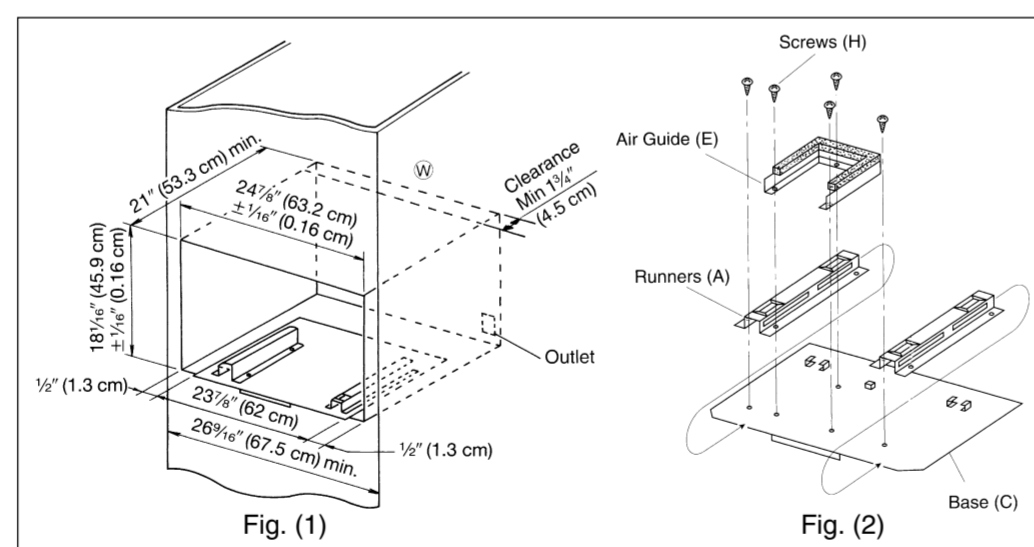
1. Read and follow all instructions completely.
2. This Trim Kit is designed for use only with the Microwave Ovens listed in the table, and where operating instructions make reference to the installation of this Trim Kit.
3. For safe use of your oven, do not alter or modify any part of this kit or oven.
4. Oven must be plugged into a properly grounded 3-prong receptacle as is required by National Electrical Code or any other applicable regulations.
5. Before attempting the installation of this kit, be sure to unplug the oven from wall receptacle.
6. Save these instructions for local inspection and relocation of oven.

	TRIM KITS	OVEN MODELS
30" cabinet	NN-TK913S(Metal)	NN-C994S, NN-CD989S
	NN-TK913B(Black)	NN-C980B, NN-C988B, NN-9809, NN-9509, NN-9500, NN-9509P NN-9800, NN-9804
	NN-TK913W(White)	NN-C980W, NN-C988W, NN-9859, NN-9850, NN-9854, NN-9854P MQC1548H
27" cabinet	NN-TK903S(Metal)	NN-C994S, NN-CD989S
	NN-TK903B(Black)	NN-C980B, NN-C988B, NN-9809, NN-9509, NN-9500, NN-9509P NN-9800, NN-9804
	NN-TK903W(White)	NN-C980W, NN-C988W, NN-9859, NN-9850, NN-9854, NN-9854P MQC1548H

PARTS LIST	Quantity
(A) Runner	2
(B) Exhaust Cover	1
(C) Base	1
(D) Exhaust Cover	1
(E) Air Guide	1
(F) Top and bottom trim strip	2
(G) Side trim strip	2
(H) Screw (large diameter)	5
(I) Screw (long)	4
(J) Screw (short)	7
(K) Screw (small diameter)	8
(L) Blind	1

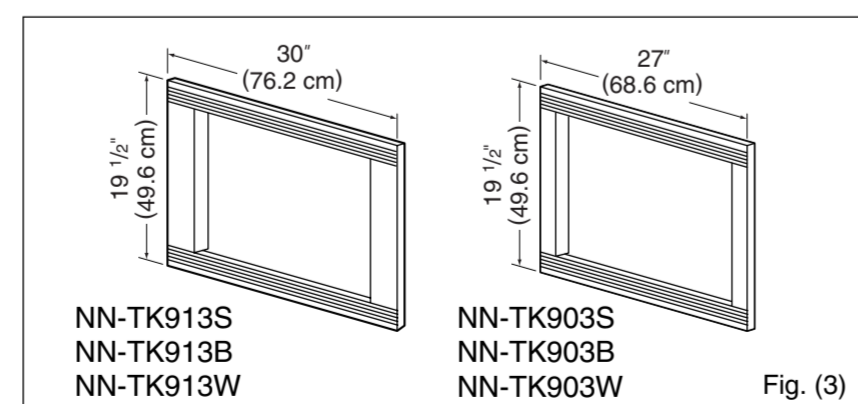
1. CABINET OPENING

1. The cabinet opening should be as follows.
 - Width : $24\frac{7}{8} \pm \frac{1}{16}$ " (63.2 cm \pm 0.16 cm)
 - Height : $18\frac{1}{16} \pm \frac{1}{16}$ " (45.9 cm \pm 0.16 cm)
 - Depth : 21" (53.3 cm) minimum.
Refer to Fig. (1).
The overall outside dimensions of 27" type trim kits are 27" (68.6 cm) wide and 30" type trim kits are 30" (76.2 cm) wide and $19\frac{1}{2}$ " (49.6 cm) high for both types of trim kits. Refer to Fig. (3).
2. The floor of the opening must be capable of supporting 100 lbs (45 kg) and should be plywood.
3. The cabinet opening at ceiling should have a clearance of at least $1\frac{3}{4}$ " (4.5 cm) to rear wall. Refer to Fig. (1).



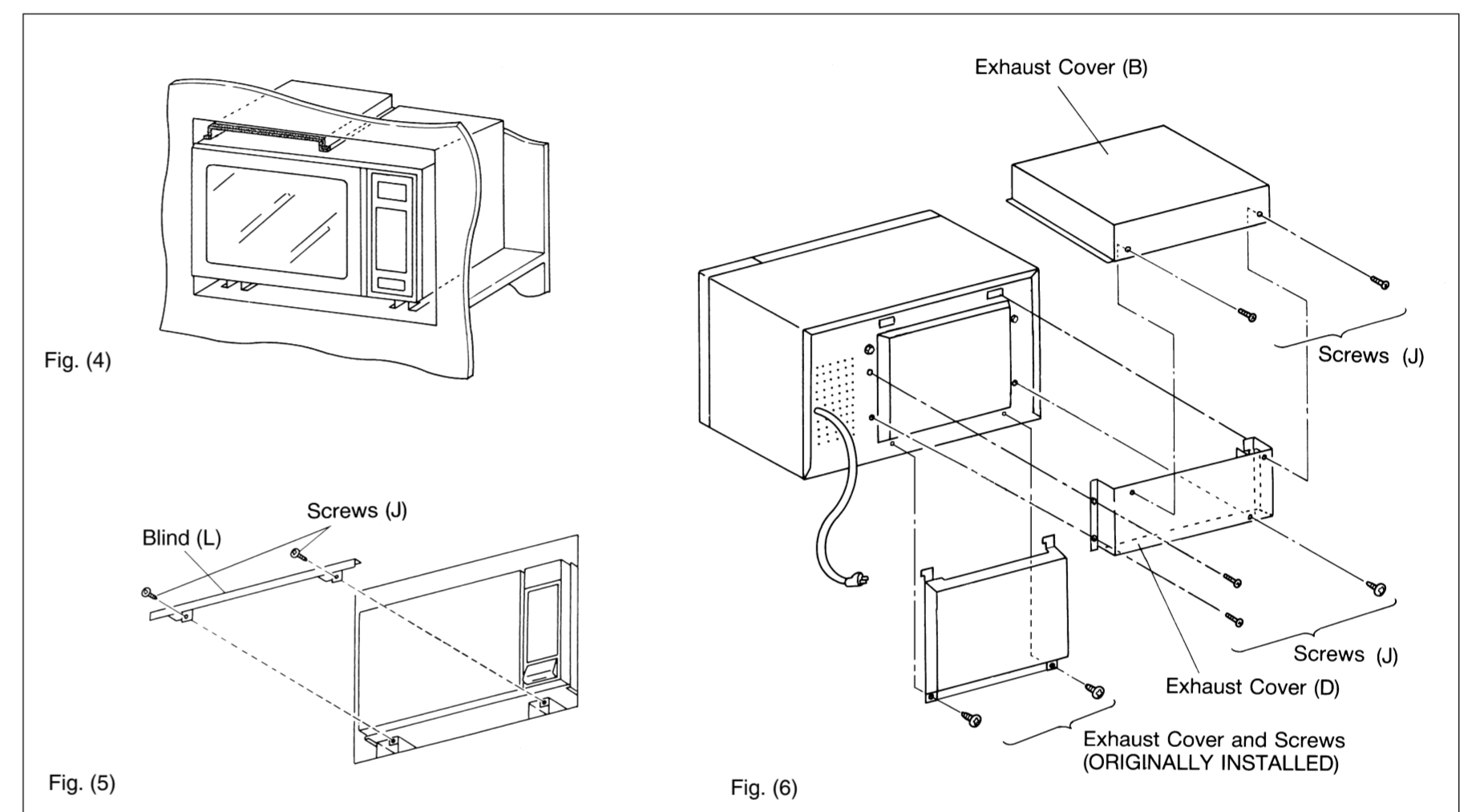
2. BRACKET INSTALLATION

1. Position Base (C) on the plywood floor, spaced approx. $\frac{1}{2}$ " (1.3 cm) from the left side and $\frac{1}{2}$ " (1.3 cm) from the right side. The front end of Base (C) shall be aligned flush with the front edge of the plywood floor. Refer to Fig. (1).
2. Place the two Runners (A) and Air Guide (E) on the Base (C), and secure with the 5 wood Screws (H) onto the plywood floor as shown in Fig. (2).



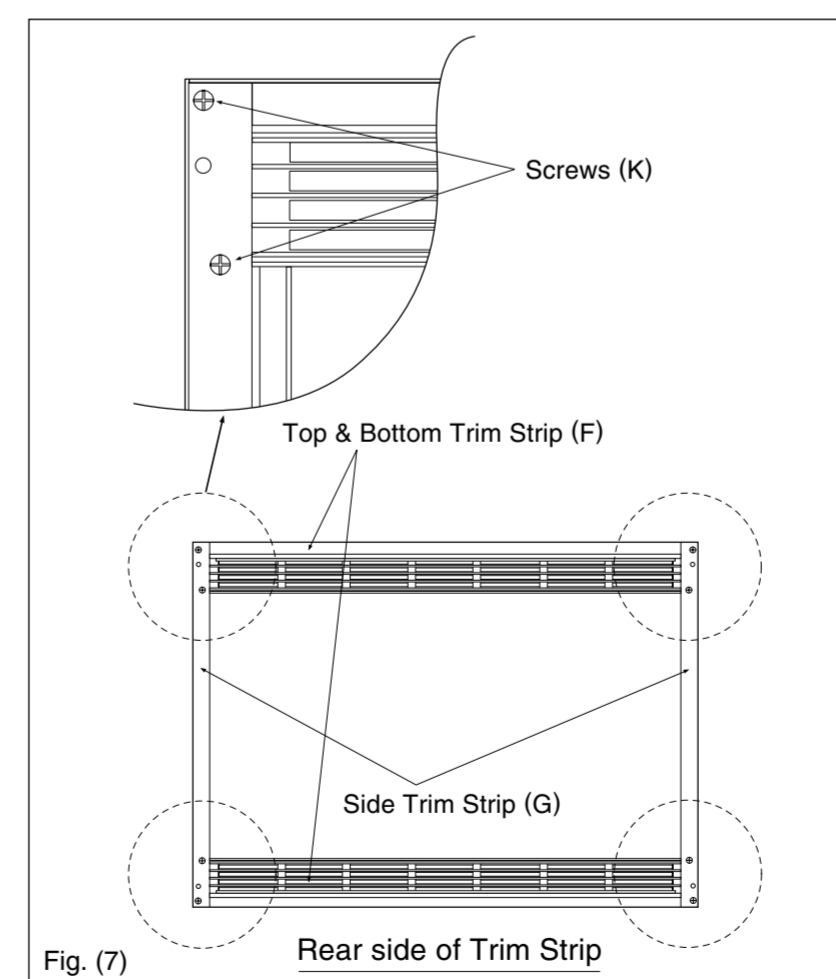
3. OVEN PREPARATION

1. Remove two screws and exhaust cover (originally installed) shown in Fig.(6) from the rear of the oven. Retain the Exhaust Cover for future use in case the oven is removed for countertop use.
2. Insert the tab of Exhaust Cover (D) into the slot on the rear of oven and secure with three Screws (J).
3. Place Exhaust Cover (B) on the top of the oven and secure with two Screws (J) shown in Fig.(6).



5. TRIM ASSEMBLY

1. Assemble Top & Bottom Trim Strips (F) and two Side Trim Strips (G) by Screws (K) at each of 4 corners of rear side trim (each corner uses 2 screws). Refer to Fig.(7).



4. OVEN INSTALLATION

1. Plug the power cord into wall receptacle and slide the oven in on the Runner (A) until the oven rests in the detents of the Runner (A). Use caution so that the cord is not pinched. Fig.(4).
2. Place Blind (L) on the top of Runner (A) and secure with two Screws (J) shown in Fig.(5).

6. TRIM INSTALLATION

1. After the oven is properly installed, center the trim kit frame around the oven.
2. Use the assembled trim kit frame as a template and mark the four holes for drilling pilot holes.
3. Position the trim kit frame and secure to cabinet with Screws (I). Refer to Fig.(8).

