

FEC-IR76S
30" Induction Range

Porter&Charles
2019 SPECIFICATION SHEET

FEC-IR76S

30" Induction Range



RANGE FEATURES

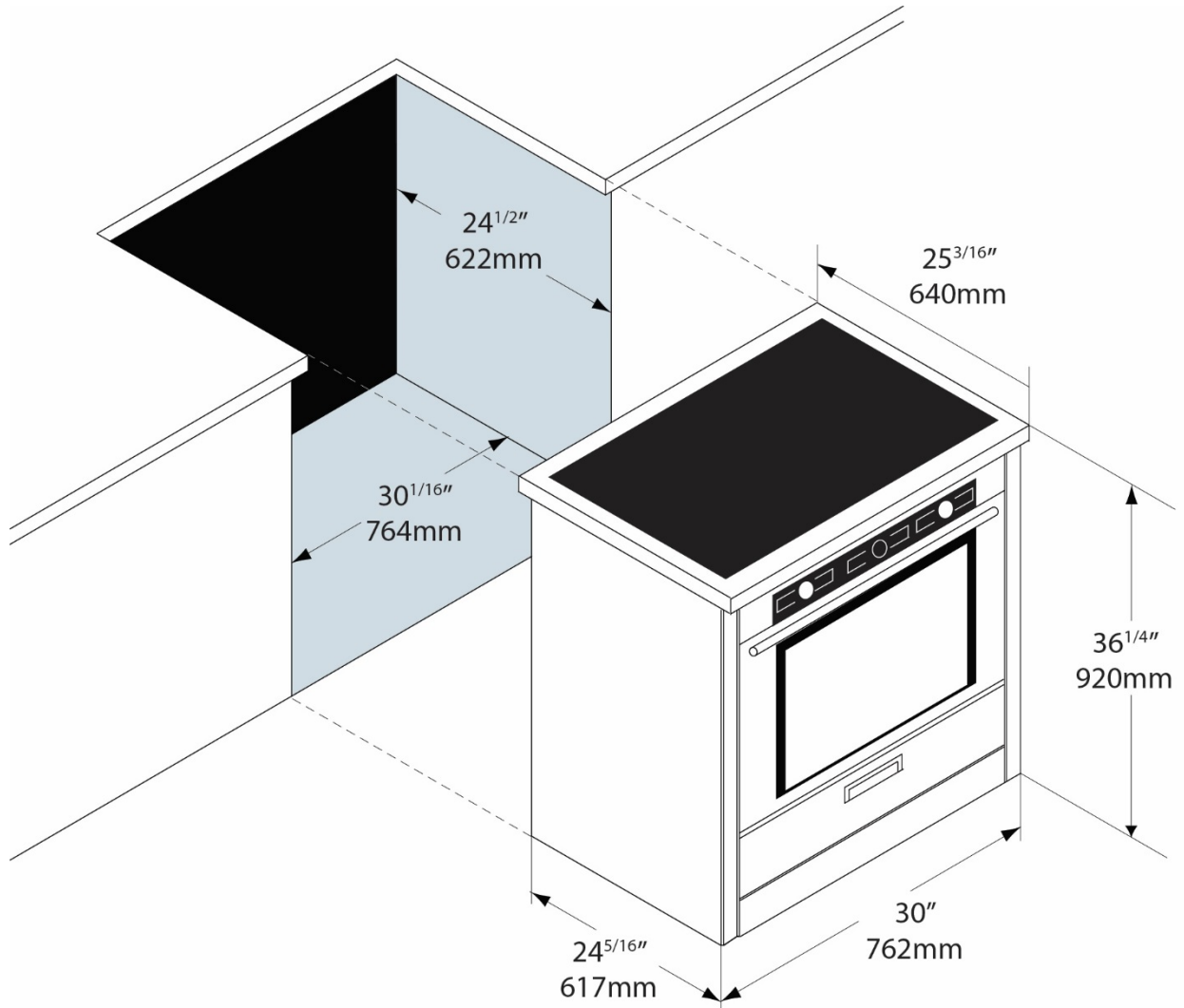
- 30" (76cm) stainless steel slide-in induction range
- 105L (3.8 cu.ft) oven capacity
- 9 cooking functions including True Fan Convection
- 4 induction burners
- Black ceramic glass with stainless steel trim
- Touch control
- Double glazed removable door
- Fully programmable clock/timer with delay start and finish
- Residual heat indicator
- Diamond glazed interior
- Metric and imperial baking chart on inside of door
- Full extension telescopic rails
- Heat activated catalytic oven liners for continuous clean
- Warming drawer
- Aligns with cabinets, adjustable leg height

COOKTOP PERFORMANCE

- 4 induction Zones
 - 2 x 14.5cm Single Zone: 1200 Watts (Boost: 1600 Watts)
 - 1 x 24cm Single Zone: 2200 Watts (Boost: 3000 Watts)
 - 1 x 21cm Single Zone: 1500 Watts (Boost: 2000 Watts)

SPECIFICATIONS

FEC-IR76S



ELECTRICAL REQUIREMENTS

- 208/240 volt, 60Hz, 40 amp
- Supplied with 4ft. range cord and plug

RANGE DIMENSIONS

- D: 25^{3/16}" x W: 30" x H: 35^{7/16}" - 36^{1/4}"
- D: 640 mm x W: 762 x H: 900mm - 920 mm

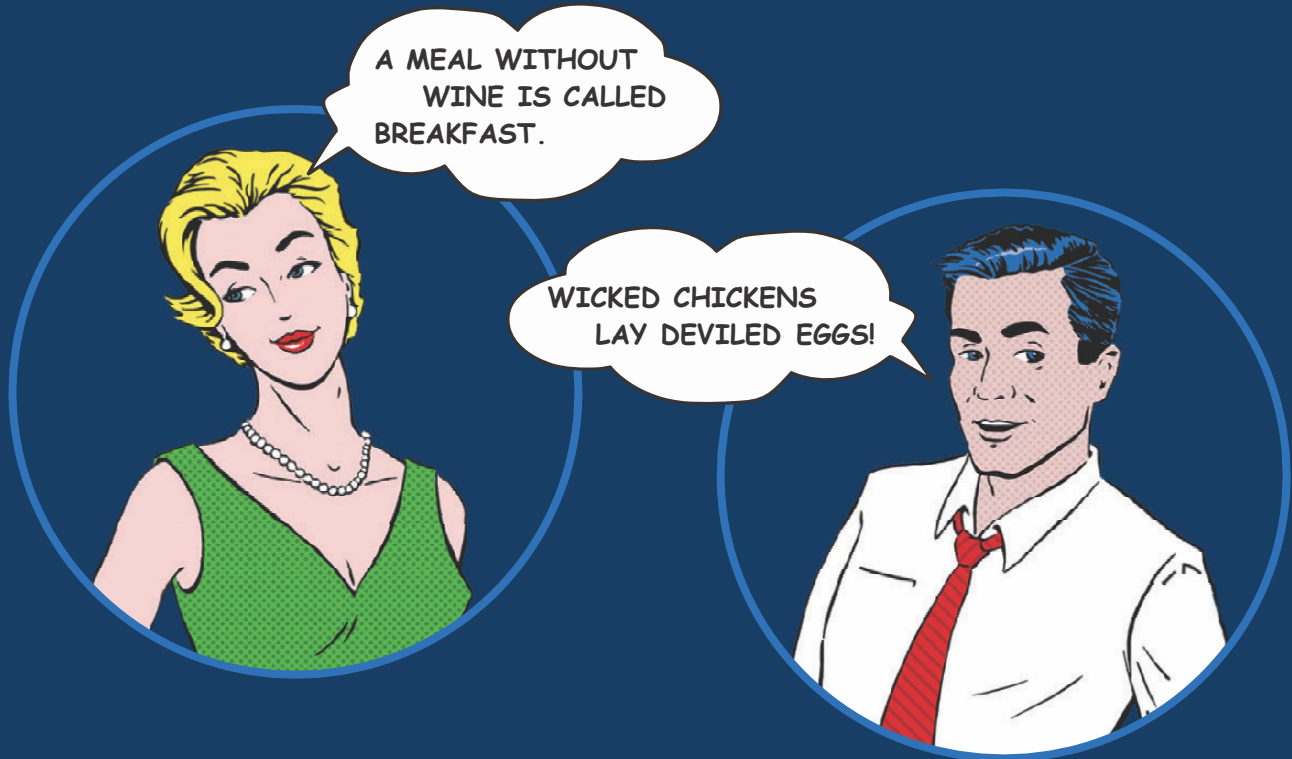
CUT-OUT DIMENSIONS

- D: 24^{1/2}" x W: 30^{1/16}"
- D: 622 mm x W: 764 mm

Specifications are subject to change without notice
V1.1

Porter & Charles

Porter & Charles



Porter & Charles Appliances are designed and manufactured to the highest standards. Each appliance is covered by a comprehensive 2-year parts and labour warranty.

Refer to product warranty policy for complete terms and conditions.

FOR PARTS AND SERVICE

Euro-Parts & Service

39822 Belgrave Road, Belgrave, ON. N0G 1E0

1 800 678 8352 (Canada) • 1 800 561 4614 (U.S.)

www.euro-parts.ca • parts@euro-parts.ca • service@euro-parts.ca

Porter & Charles appliances are imported and distributed in North America by Euro-Line Appliances Inc. For more information, please visit one of our showrooms or

www.euro-line-appliances.com / www.elawest.com

EURO-LINE APPLIANCES INC.

871 Cranberry Court
Oakville, ON L6L 6J7 Canada
905 829 3980
1 800 421 6332

marketing@euro-line-appliances.com

EURO-LINE APPLIANCES WEST INC.

2912 West 4th Avenue
Vancouver, BC V6K 1R2 Canada
604 235 3980
1 855 ELA WEST (352.9378)

info@elawest.com



B742