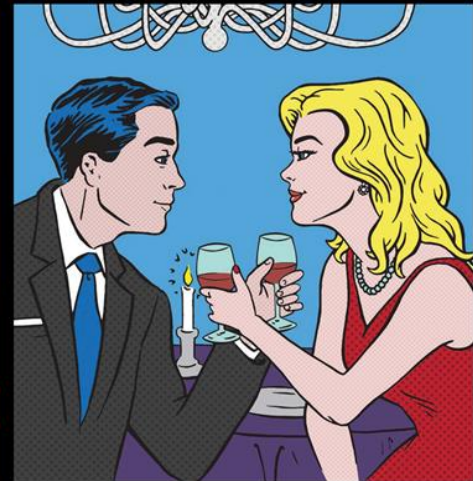


HELP! THE ONLY REASON I HAVE A KITCHEN IS THAT IT CAME WITH THE HOUSE.



THE INTELLIGENT HAVE PLANS BUT THE WISE HAVE DESIGN PRINCIPLES.



MWPS60TM
24" Built-In Stainless Steel Microwave

Porter & Charles

2017 SPECIFICATION SHEET

MWPS60TM

24" Built-In Stainless Steel Microwave

An excellent addition to any suite of kitchen appliances. More than simply a convenient way to defrost food, the microwave is a multi-function appliance that offers advanced programs such as grilling, and provides cooking results that far exceed the expectations of most microwave ovens.



ELECTRICAL REQUIREMENTS

- 208/240 Volt, 60Hz, 20 amp
- Supplied with a 5ft long electrical cable and must be hard wired

MICROWAVE DIMENSIONS

D: 18^{15/16"} • W: 23^{7/16"} • H: 17^{13/16"}

D: 465 mm • W: 595 mm • H: 453 mm

CUT-OUT DIMENSIONS

D: 21^{5/8"} • W: 22^{1/16"} • H: 17^{3/4"}

D: 560 mm • W: 560 mm • H: 450 mm

MICROWAVE FEATURES

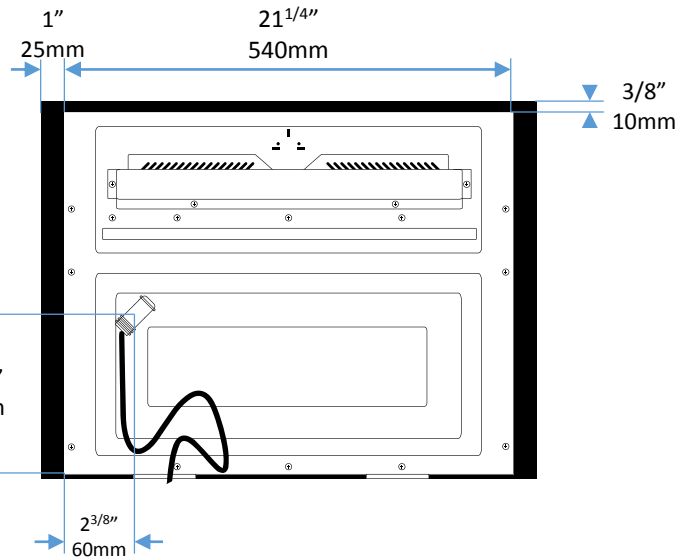
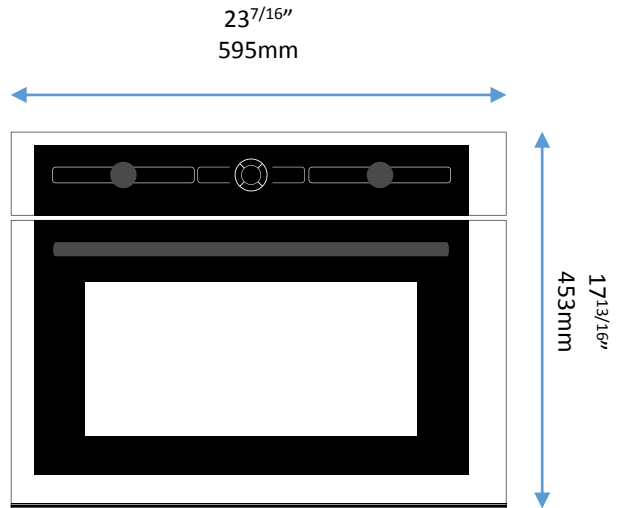
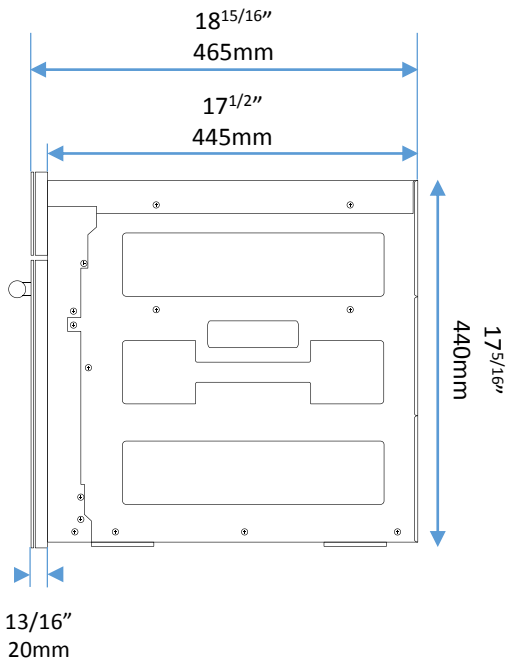
- 38 litre interior capacity
- Microwave and grill modes
- Fingerprint proof stainless steel frame
- Stainless steel inner cavity
- Digital display with easy to use retractable control knobs
- Children's safety lock
- Memory function - program 3 favourite recipes
- 3 AutoCook functions
- Drop-down grill for easy cleaning
- Fully programmable clock and timer

MICROWAVE ACCESSORIES

- Circular glass turntable
- Turntable ring and support
- Browning plate
- High grill rack
- Low grill rack
- Optional – TK455 : 2 piece stainless steel trim kit to create a seamless cooking tower in 30" cabinet opening

SPECIFICATIONS

MWPS60TM



MICROWAVE DIMENSIONS

- D: $18^{15/16}$ " x W: $23^{7/16}$ " x H: $17^{13/16}$ "
- D: 465 mm x W: 595 mm x H: 453 mm

SPECIFICATIONS

MWPS60TM

MICROWAVE DIMENSIONS

- D: 18^{15/16"} x W: 23^{7/16"} x H: 17^{13/16"}
- D: 465 mm x W: 595 mm x H: 453 mm

CUT-OUT DIMENSIONS

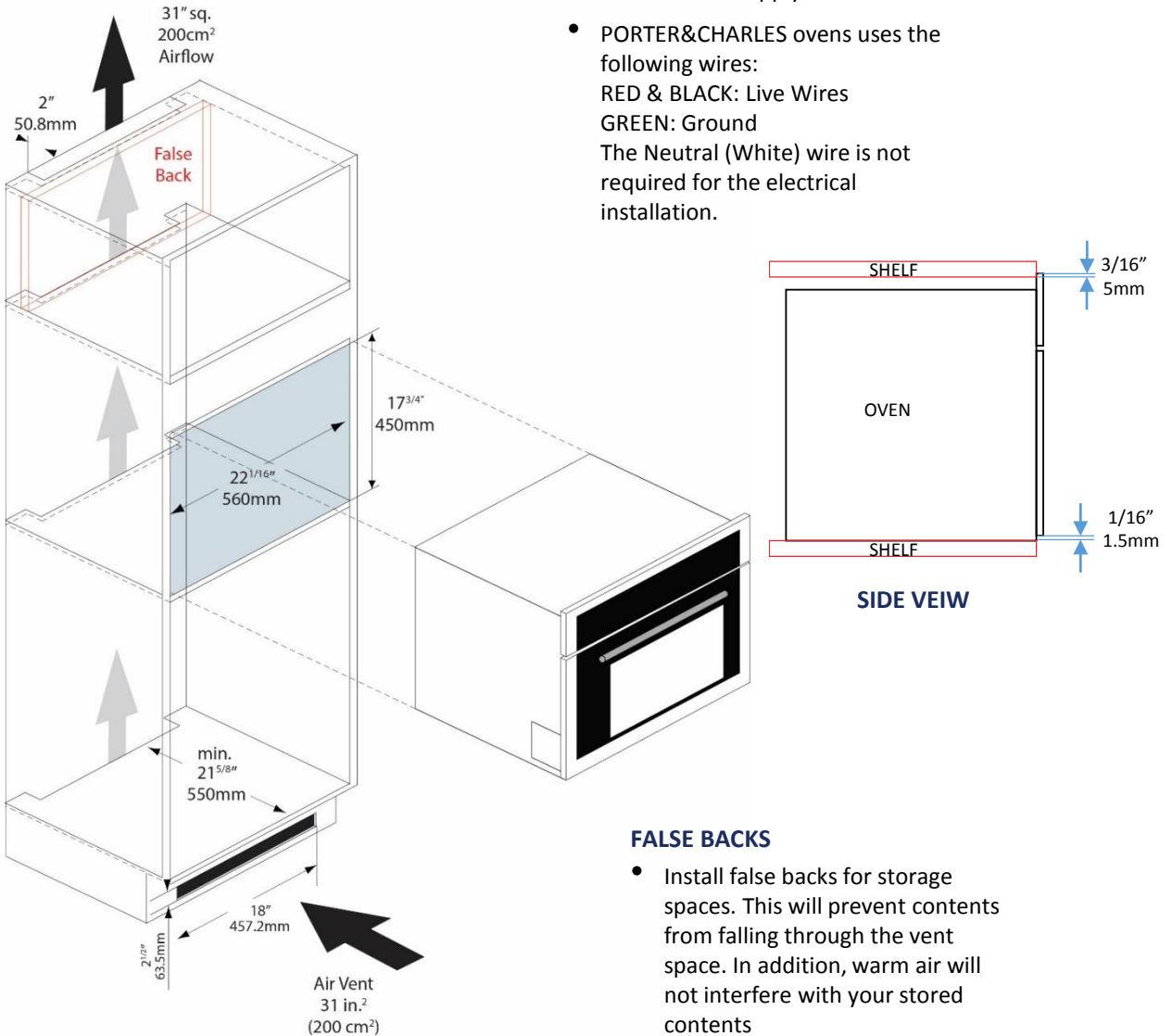
- D: min. 21^{5/8"} x W: min. 22^{1/16"} x H: 27^{3/4"}
- D: min 550mm x W: min. 560mm x H: 450mm

ELECTRICAL REQUIREMENTS

- 208 / 240 Volt, 60Hz, 3400 Watt, 20 AMP

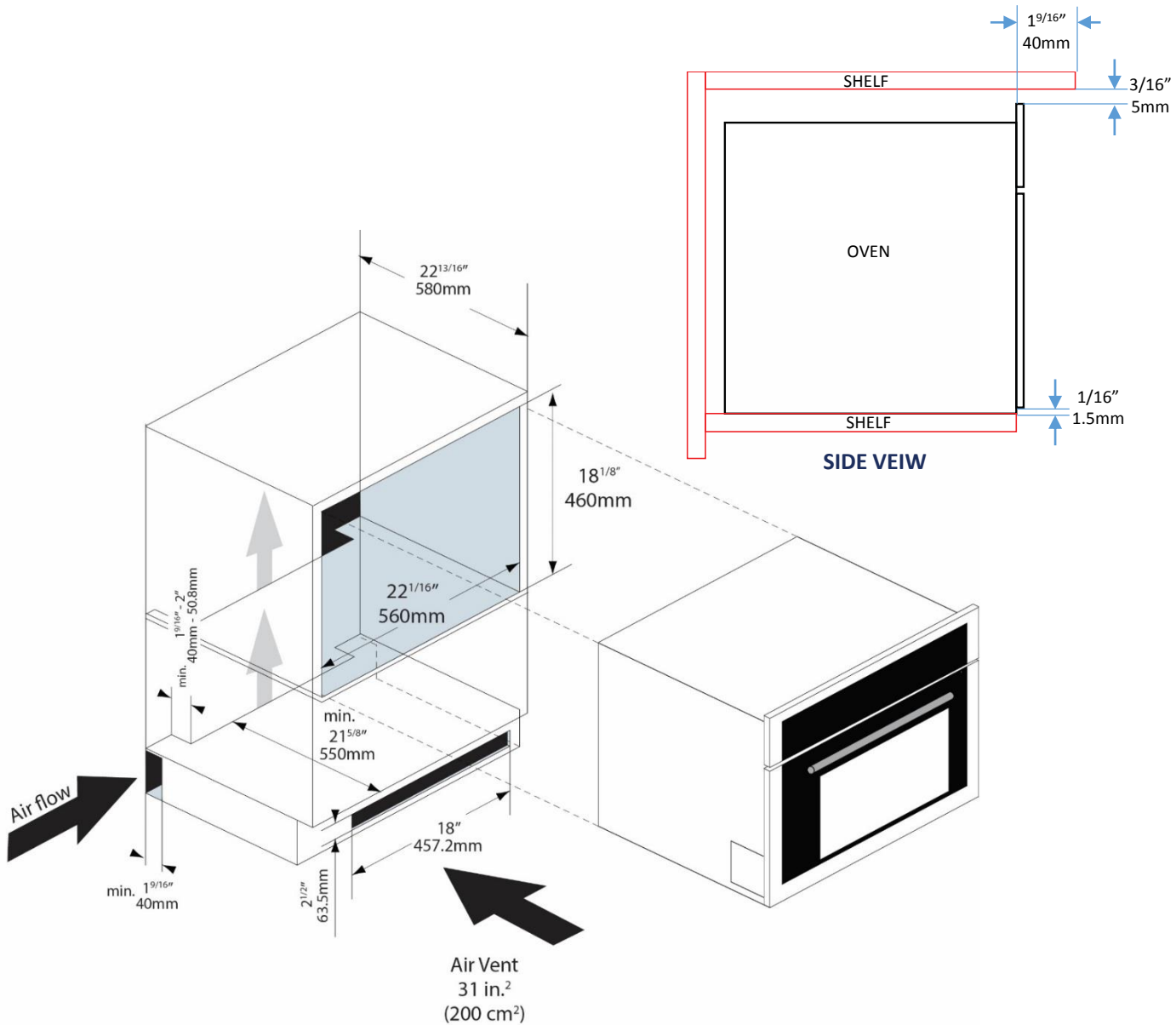
IMPORTANT

- PORTER&CHARLES ovens are supplied with a 4' long electrical cable and must be hard wired to the electrical supply
- PORTER&CHARLES ovens uses the following wires:
RED & BLACK: Live Wires
GREEN: Ground
The Neutral (White) wire is not required for the electrical installation.



SPECIFICATIONS

MWPS60TM

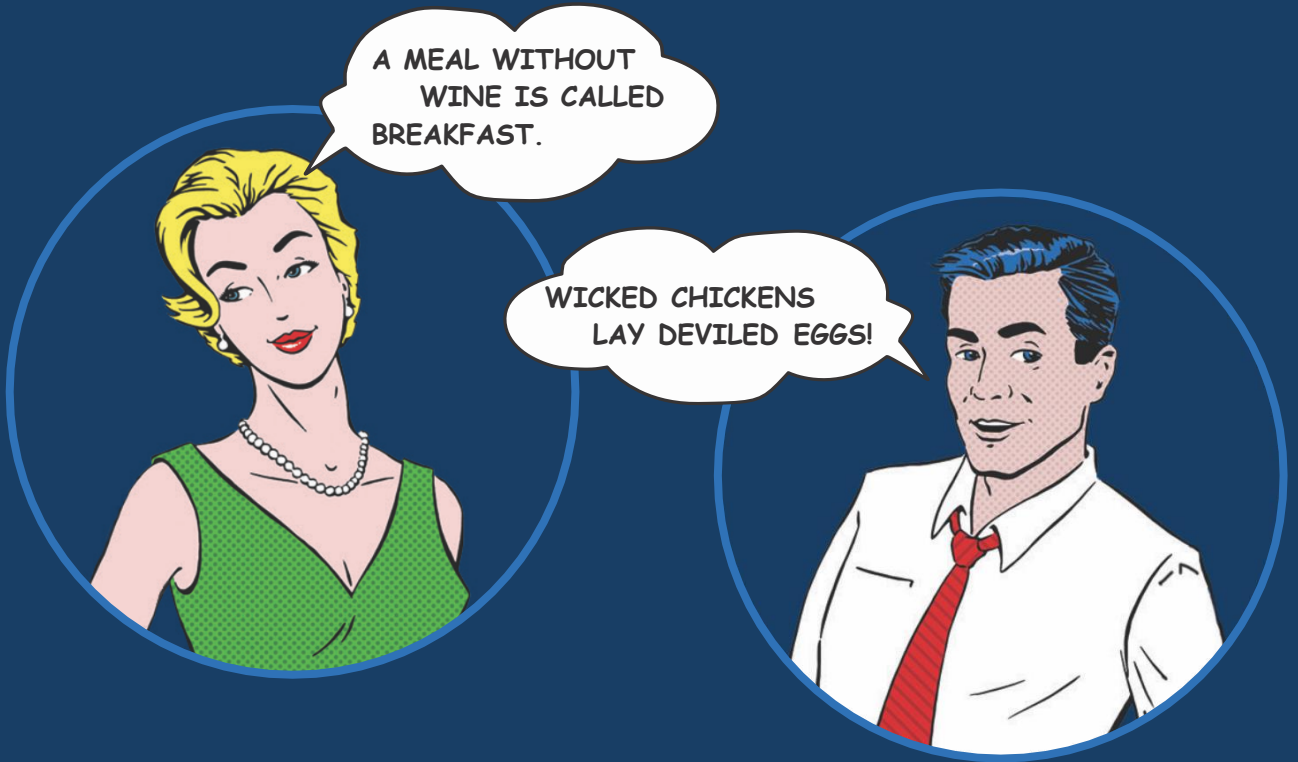


MICROWAVE DIMENSIONS

- D: 18^{15/16}" x W: 23^{7/16}" x H: 17^{13/16}"
- D: 465 mm x W: 595 mm x H: 453 mm

CUT-OUT DIMENSIONS

- D: min. 21^{5/8}" x W: min. 22^{1/16}" x H: 18^{1/8}"
- D: min 550mm x W: min. 560mm x H: 460mm



Porter & Charles Appliances are designed and manufactured to the highest standards. Each appliance is covered by a comprehensive 2-year parts and labour warranty.

Refer to product warranty policy for complete terms and conditions.

FOR PARTS AND SERVICE

Euro-Parts & Service

39822 Belgrave Road, Belgrave, ON. N0G 1E0
1 800 678 8352 (Canada) • 1 800 561 4614 (U.S.)

www.euro-parts.ca • parts@euro-parts.ca • service@euro-parts.ca

Porter & Charles appliances are imported and distributed in North America by Euro-Line Appliances Inc. For more information, please visit one of our showrooms or www.euro-line-appliances.com / www.elawest.com

EURO-LINE APPLIANCES INC.

871 Cranberry Court
Oakville, ON L6L 6J7 Canada
905 829 3980
1 800 421 6332

marketing@euro-line-appliances.com

EURO-LINE APPLIANCES WEST INC.

2912 West 4th Avenue
Vancouver, BC V6K 1R2 Canada
604 235 3980
1 855 ELA WEST (352.9378)

info@elawest.com

