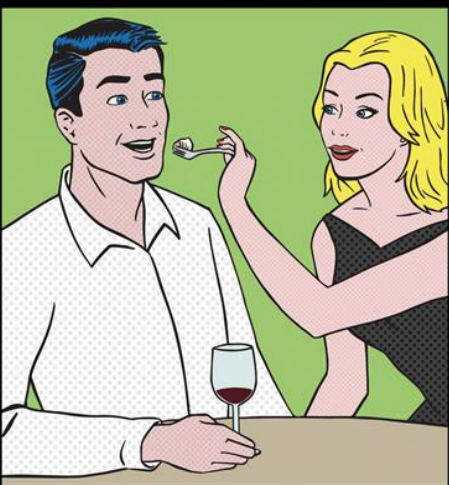


HELP! THE ONLY REASON I HAVE A KITCHEN IS THAT IT CAME WITH THE HOUSE.

THE INTELLIGENT HAVE PLANS BUT THE WISE HAVE DESIGN PRINCIPLES.



**FEG60B2**

24" Dual Fuel Range

Porter & Charles

2016 SPECIFICATION SHEET

# FEG60B2

## 24" Dual Fuel Range

Porter & Charles ranges offer exceptional quality and performance. Aesthetic highlights include clean lines and attention to detail, from the ergonomic handle to the interior light. Hand assembled and hand finished using the highest quality stainless steel, the quality is not only visual but can be felt. All ranges were designed with the user in mind, with features to make cooking more enjoyable and clean-up as simple as possible.



### RANGE FEATURES

- 24" (60cm) stainless steel slide-in dual fuel range
- 63L (2.22cu.ft) oven capacity
- 9 cooking functions including True Fan convection for perfect cooking
- Triple glazed door
- Heat-activated continuous clean catalytic liners
- 4 sealed gas burners with cast iron grates
- Fully programmable clock/timer with delay start and finish
- Includes LPG conversion kit
- Adjustable leg height and flush with cabinets

### OVEN ACCESSORIES

- Grill/roasting pan
- Reversible grill insert
- 2 chrome oven racks

### COOK TOP FEATURES

- 1 x Wok Burner – 15,600 BTU
- 1 x Rapid Burner – 11,500 BTU
- 1 x Semi-Rapid Burner – 8,000 BTU
- 1 x Auxiliary Burner – 5,000 BTU

### RANGE DIMENSIONS

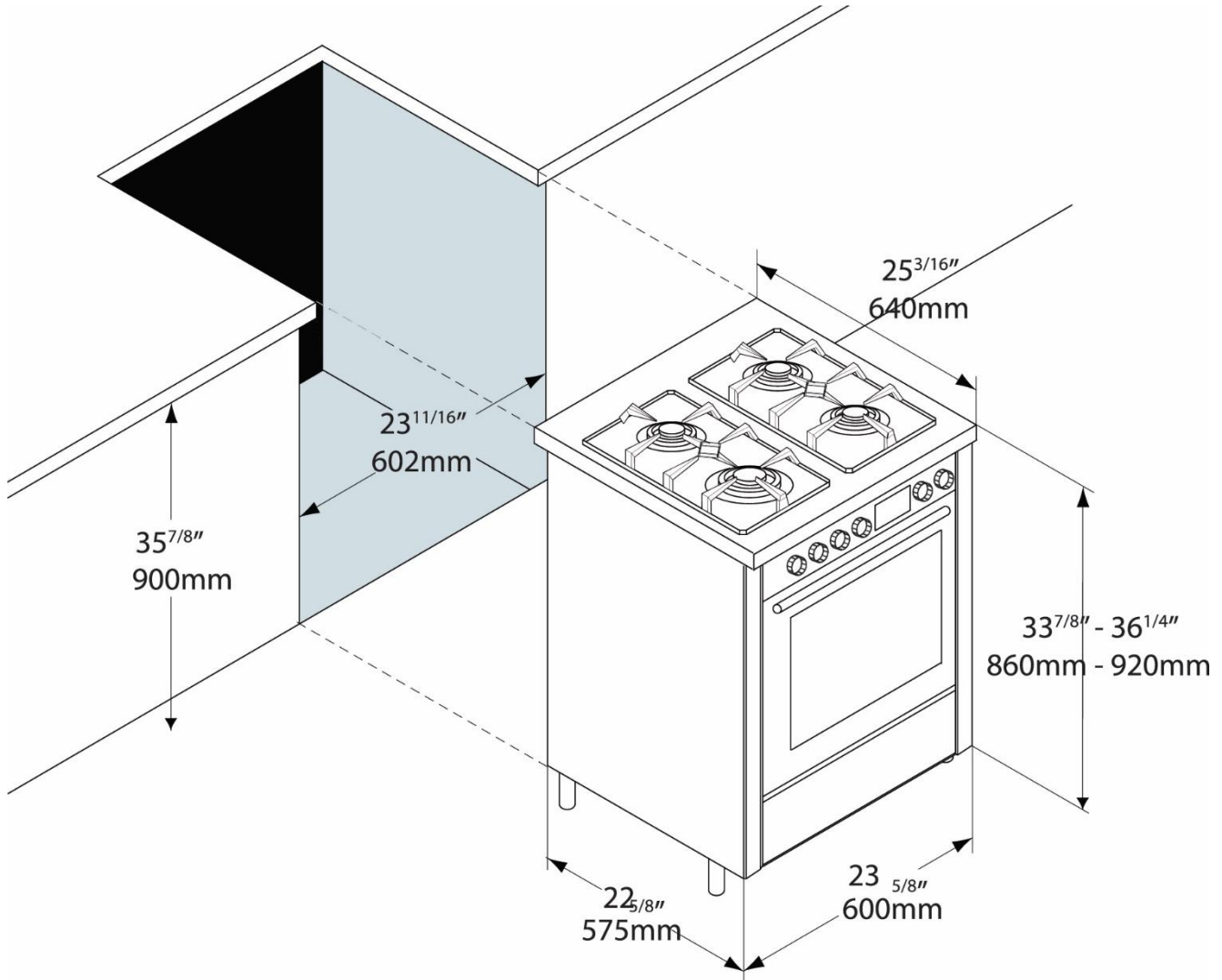
- D: 25" x W: 24" x H: 35<sup>7/16</sup>" - 36<sup>1/4</sup>"
- D: 640 mm x W: 600 x H: 900mm - 920 mm

### ELECTRICAL REQUIREMENTS

- 208/240 volt, 60Hz, 40 amp
- Supplied with 4ft. range cord and plug

# SPECIFICATIONS

FEG60B2

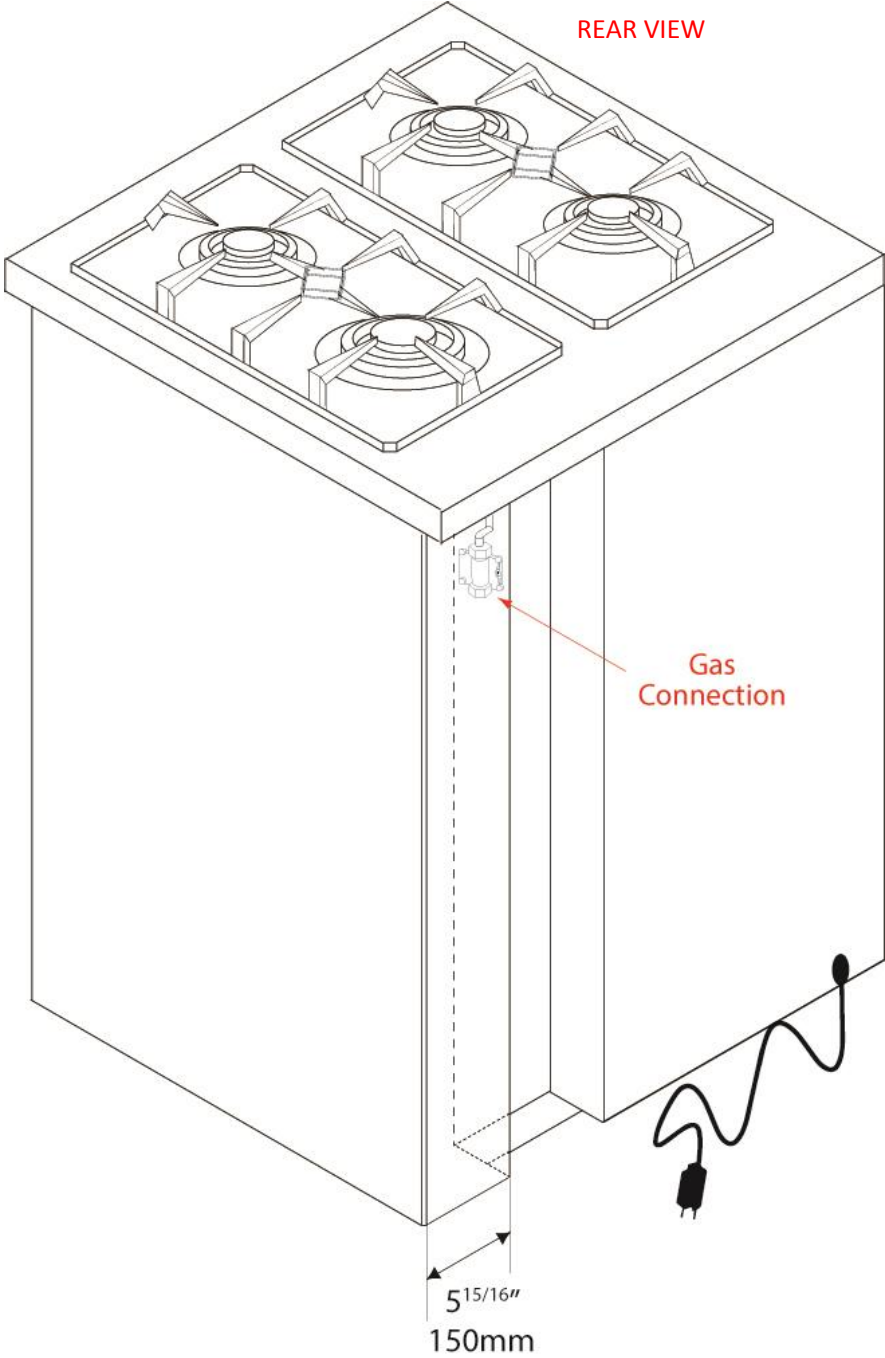


Specifications are subject to change without notice  
V1.1

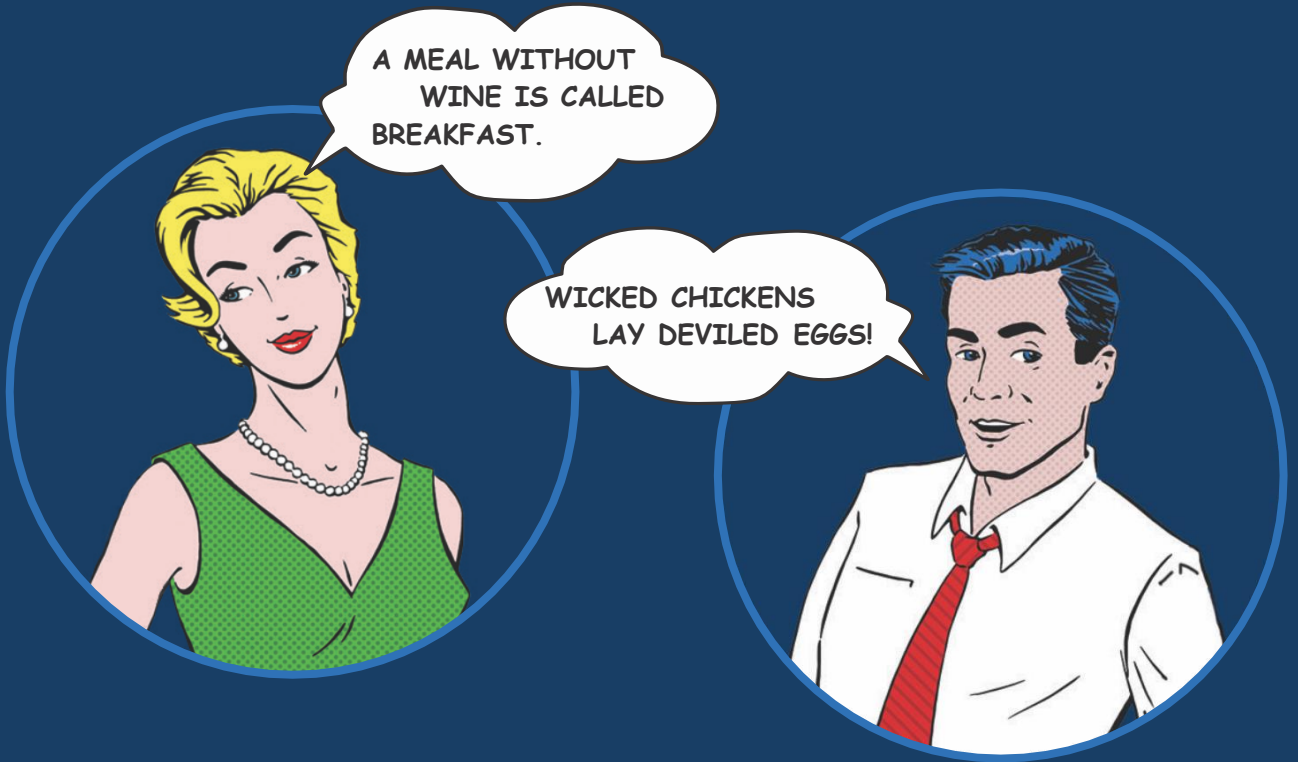
Porter & Charles

# SPECIFICATIONS

FEG60B2



Specifications are subject to change without notice  
V1.1



Porter & Charles Appliances are designed and manufactured to the highest standards. Each appliance is covered by a comprehensive 2-year parts and labour warranty.

Refer to product warranty policy for complete terms and conditions.

#### FOR PARTS AND SERVICE

Euro-Parts & Service

39822 Belgrave Road, Belgrave, ON. N0G 1E0  
1 800 678 8352 (Canada) • 1 800 561 4614 (U.S.)

[www.euro-parts.ca](http://www.euro-parts.ca) • [parts@euro-parts.ca](mailto:parts@euro-parts.ca) • [service@euro-parts.ca](mailto:service@euro-parts.ca)

Porter & Charles appliances are imported and distributed in North America by Euro-Line Appliances Inc. For more information, please visit one of our showrooms or [www.euro-line-appliances.com](http://www.euro-line-appliances.com) / [www.elawest.com](http://www.elawest.com)

#### EURO-LINE APPLIANCES INC.

871 Cranberry Court  
Oakville, ON L6L 6J7 Canada  
905 829 3980  
1 800 421 6332

[marketing@euro-line-appliances.com](mailto:marketing@euro-line-appliances.com)

#### EURO-LINE APPLIANCES WEST INC.

2912 West 4th Avenue  
Vancouver, BC V6K 1R2 Canada  
604 235 3980  
1 855 ELA WEST (352.9378)

[info@elawest.com](mailto:info@elawest.com)

