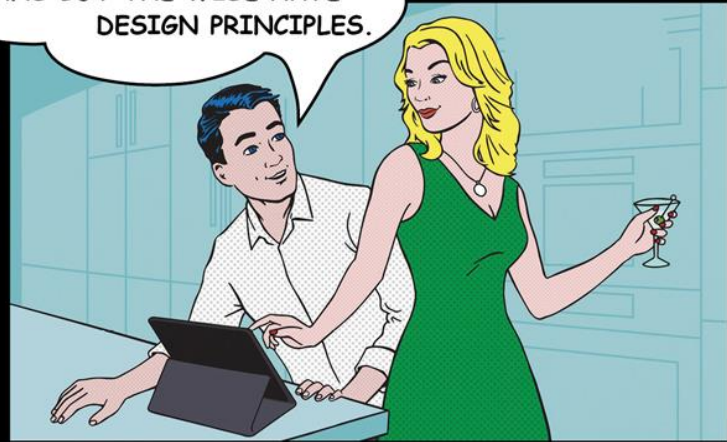


HELP! THE ONLY REASON I HAVE A KITCHEN IS THAT IT CAME WITH THE HOUSE.

THE INTELLIGENT HAVE PLANS BUT THE WISE HAVE DESIGN PRINCIPLES.



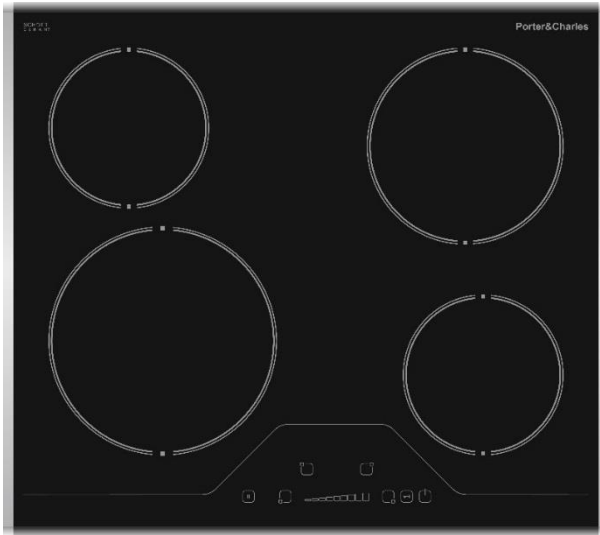
CC60V
24" Electric Cooktop

Porter & Charles
2016 SPECIFICATION SHEET

CC60V

24" Electric Cooktop

Made from a single sheet of high quality black glass, give your kitchen a streamlined look. The flexible cooking zones provide you with a variety of cooking needs. Electronic touch controls ensure precise heat selection and the highlight zone heats up in less than 5 seconds; saving both time and energy.



COOKTOP FEATURES

- 4 Hi-Lite zones with quick heating elements
- 9 power levels
- Black ceramic with beveled edges front and back, stainless steel sides to prevent chipping
- Touch control panel
- Child safety lock
- Smart Pause
- Residual heat indicator
- Shallow depth allows for easy install over drawers or an oven

COOKTOP PERFORMANCE

- 4 Electric Zones
 - 2 x 16cm Single Zone: 1400 Watts (Boost: 1800 Watts)
 - 2 x 20cm Single Zone: 1800 Watts (Boost: 2500 Watts)

ELECTRICAL REQUIREMENTS

- 208/240 volt, 60Hz, 40 amp, 6000W
- Supplied with a 5ft long electrical cable and must be hard wired

COOKTOP DIMENSIONS

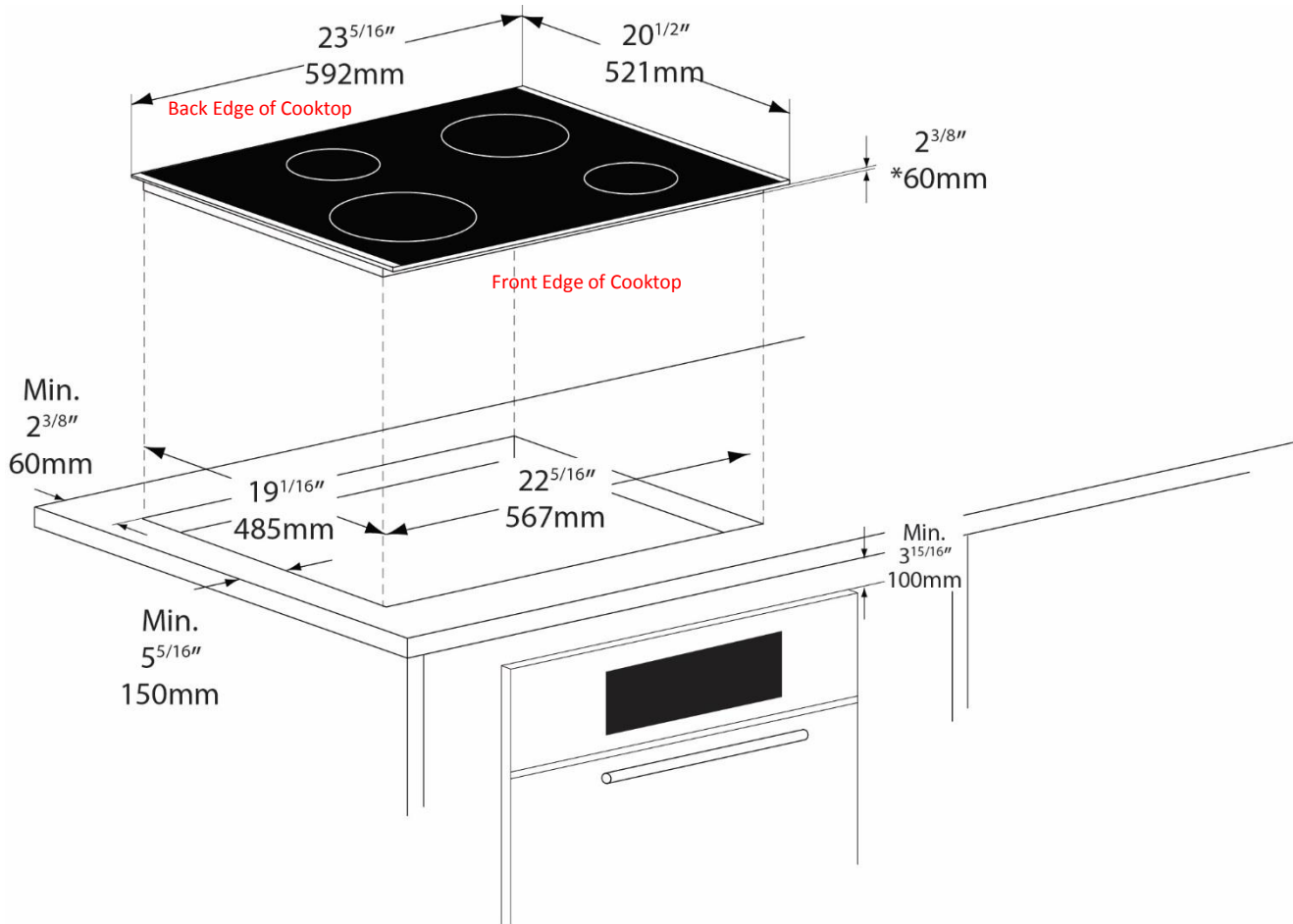
- D: 20^{1/2}" • W: 23^{5/16}"
- D: 521 mm • W: 592 mm

CUT-OUT DIMENSIONS

- D: 19^{1/16}" • W: 22^{5/16}"
- D: 485 mm • W: 567 mm

SPECIFICATIONS

CC60V



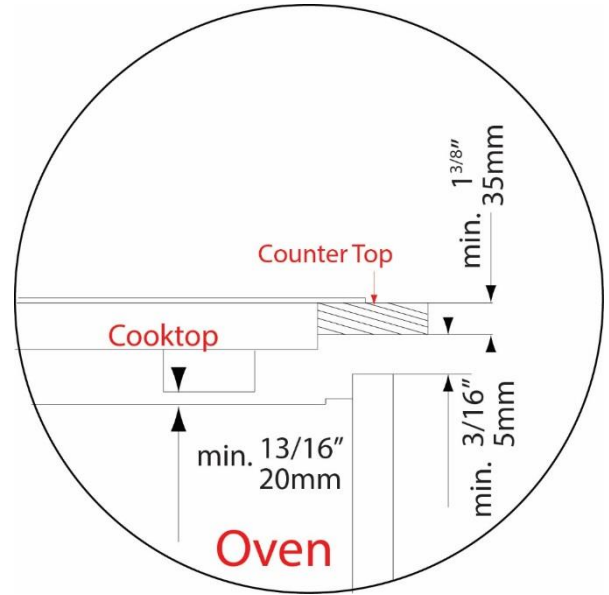
SPECIFICATIONS

CC60V

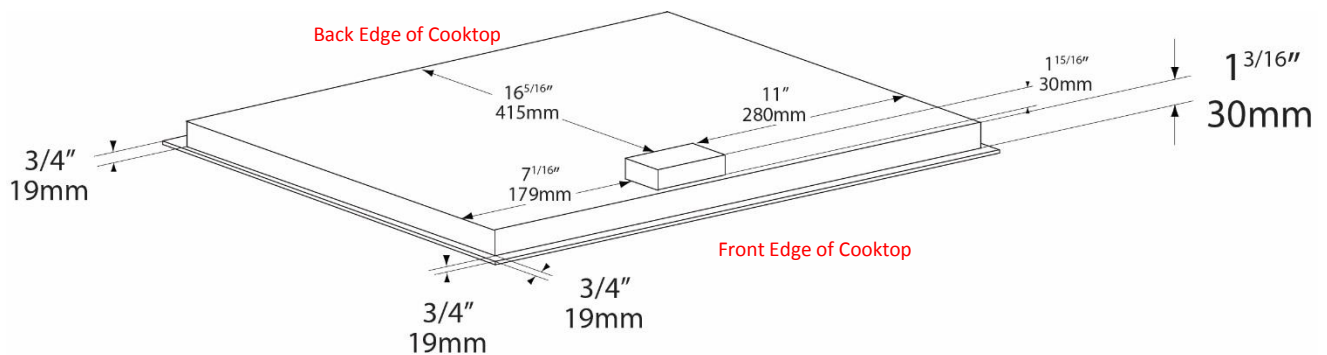
INSTALLING OVER BUILT-IN OVEN

- There must be a minimum of 20mm (13/16") of space left between the bottom of the cooktop and the oven to allow air to flow.
- There must be a minimum of 5mm (3/16") of space left between the counter top and the door panel of a built-in oven / drawer.
- If insufficient air flow is provided, the life of the appliance will be shortened.

SIDE VIEW



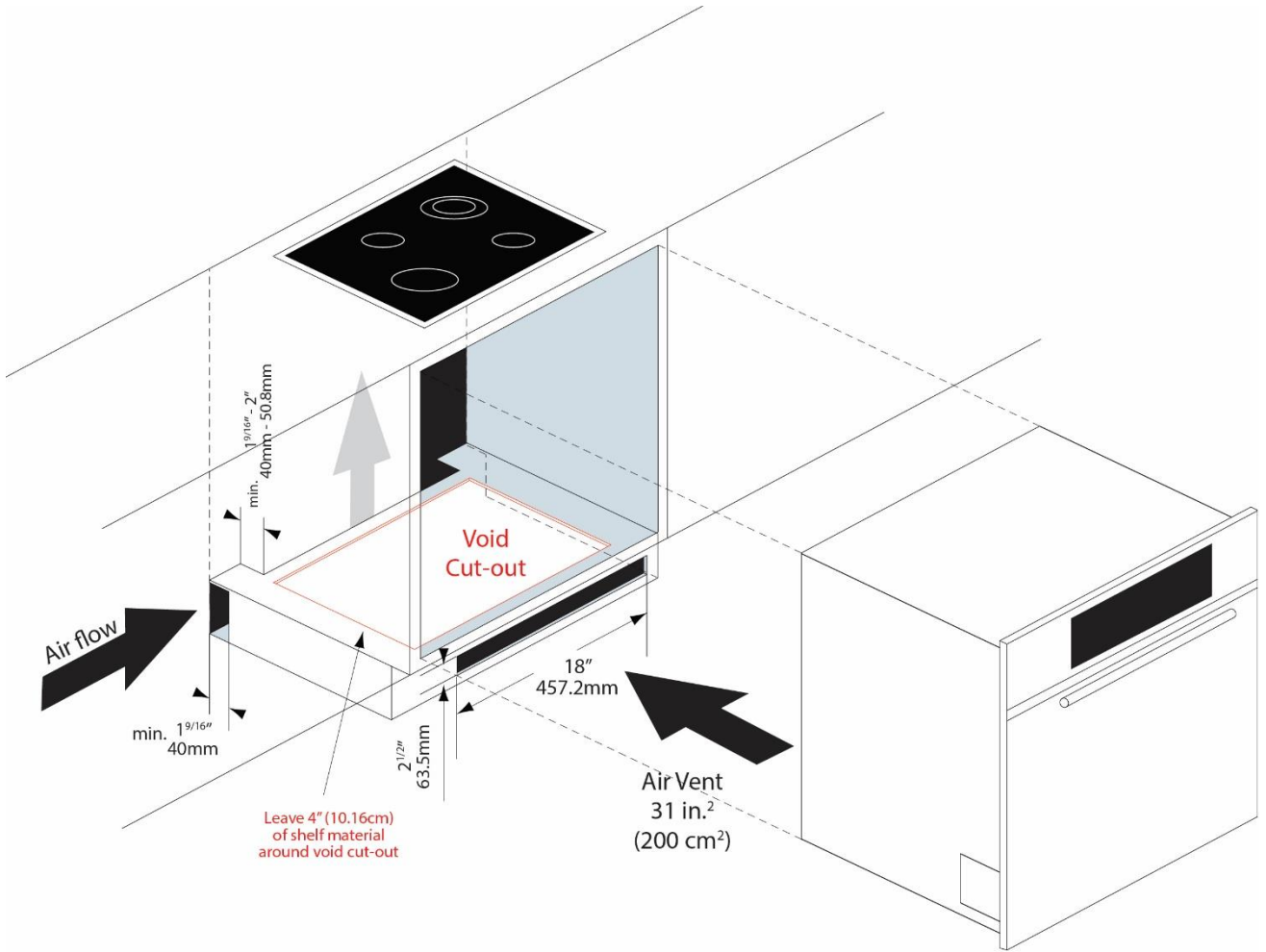
UNDERSIDE VIEW



SPECIFICATIONS

CC60V

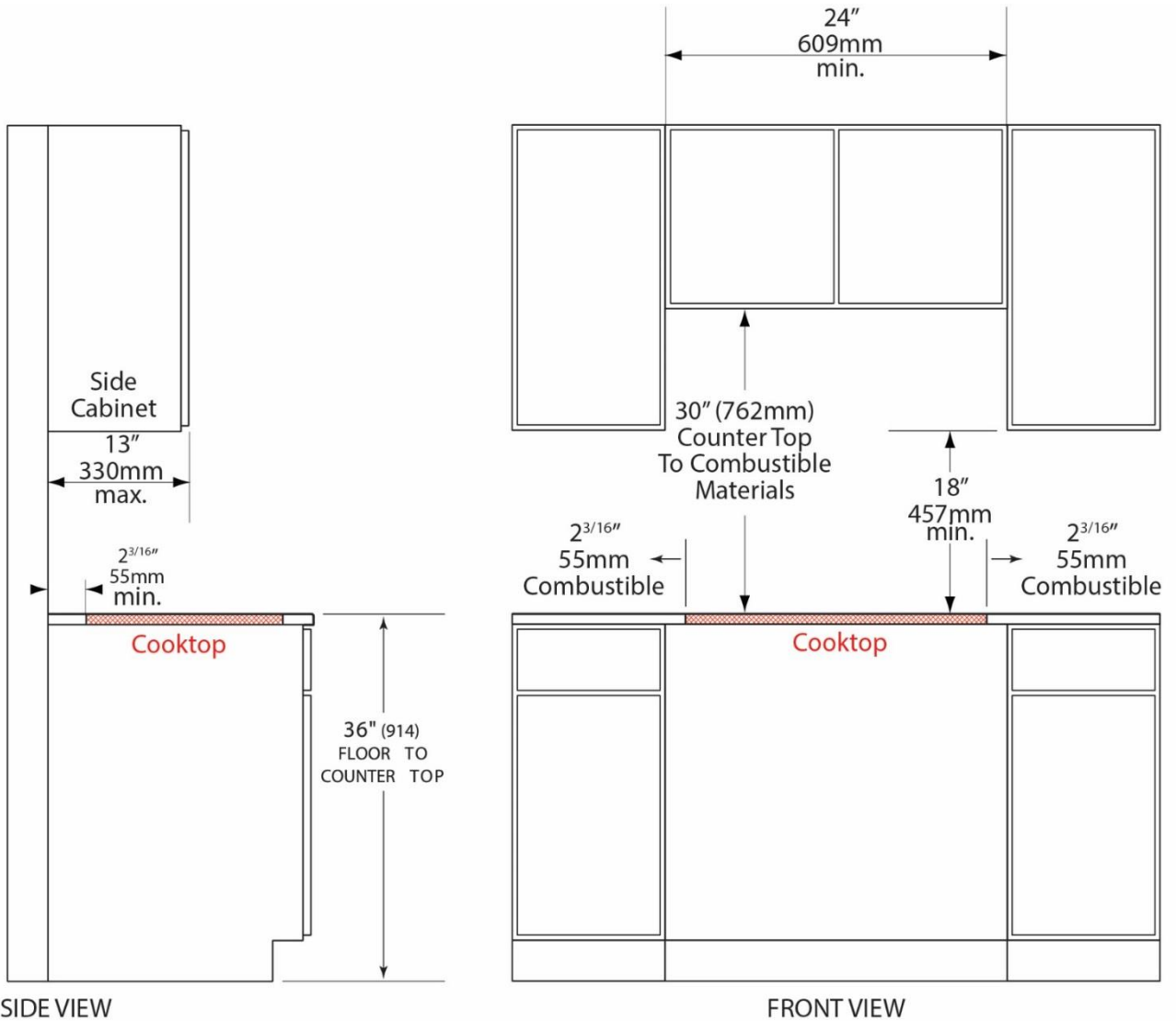
RECOMMENDED CABINET DESIGN




SPECIFICATIONS

CC60V

RECOMMENDED CABINET MINIMUM CLEARANCE





A MEAL WITHOUT
WINE IS CALLED
BREAKFAST.



WICKED CHICKENS
LAY DEVILED EGGS!

Porter & Charles Appliances are designed and manufactured to the highest standards. Each appliance is covered by a comprehensive 2-year parts and labour warranty.

Refer to product warranty policy for complete terms and conditions.

FOR PARTS AND SERVICE

Euro-Parts & Service

39822 Belgrave Road, Belgrave, ON. N0G 1E0
1 800 678 8352 (Canada) • 1 800 561 4614 (U.S.)

www.euro-parts.ca • parts@euro-parts.ca • service@euro-parts.ca

Porter & Charles appliances are imported and distributed in North America by Euro-Line Appliances Inc. For more information, please visit one of our showrooms or

www.euro-line-appliances.com / www.elawest.com

EURO-LINE APPLIANCES INC.

871 Cranberry Court
Oakville, ON L6L 6J7 Canada
905 829 3980
1 800 421 6332

marketing@euro-line-appliances.com

EURO-LINE APPLIANCES WEST INC.

2912 West 4th Avenue
Vancouver, BC V6K 1R2 Canada
604 235 3980
1 855 ELA WEST (352.9378)

info@elawest.com

