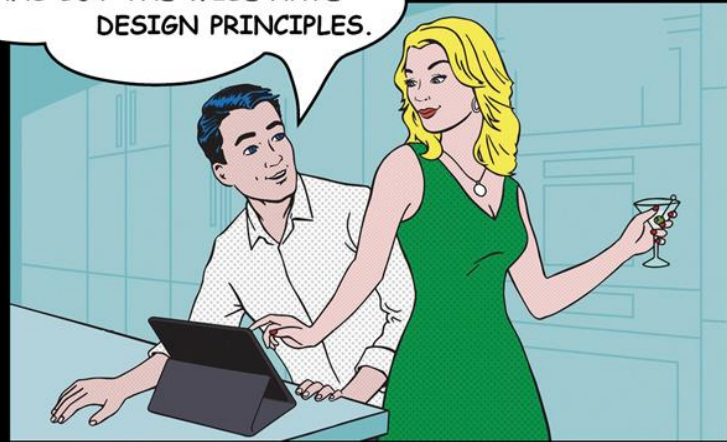


HELP! THE ONLY REASON I HAVE A KITCHEN IS THAT IT CAME WITH THE HOUSE.

THE INTELLIGENT HAVE PLANS BUT THE WISE HAVE DESIGN PRINCIPLES.



**CC76V**

**30" Electric Cooktop**

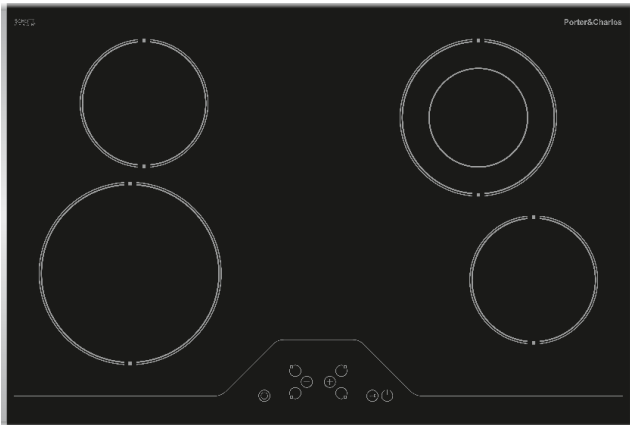
**Porter & Charles**

2016 SPECIFICATION SHEET

# CC76V

## 30" Electric Cooktop

Made from a single sheet of high quality black glass, give your kitchen a streamlined look. The flexible cooking zones provide you with a variety of cooking needs. Electronic touch controls ensure precise heat selection and the highlight zone heats up in less than 5 seconds; saving both time and energy.



### COOKTOP FEATURES

- 4 Hi-Lite zones with quick heating elements and 1 expandable cooking zone
- 9 power levels
- Black ceramic with beveled edges front and back, stainless steel sides to prevent chipping
- Touch control panel
- Child safety lock
- Smart Pause
- Residual heat indicator
- Shallow depth allows for easy install over drawers or an oven

### COOKTOP PERFORMANCE

- 4 Hi-lite Zones
  - 2 x 16cm Single Zone: 1200 Watts
  - 1 x 19cm Double Zone: 1700 Watts
  - 1 x 22cm Single Zone: 2300 Watts

### ELECTRICAL REQUIREMENTS

- 208/240 Volt, 60 Hz, 40AMP, 6400W
- P&C cooktops are supplied with a 5' long electrical cable and must be hard wired to the electrical supply

### COOKTOP DIMENSIONS

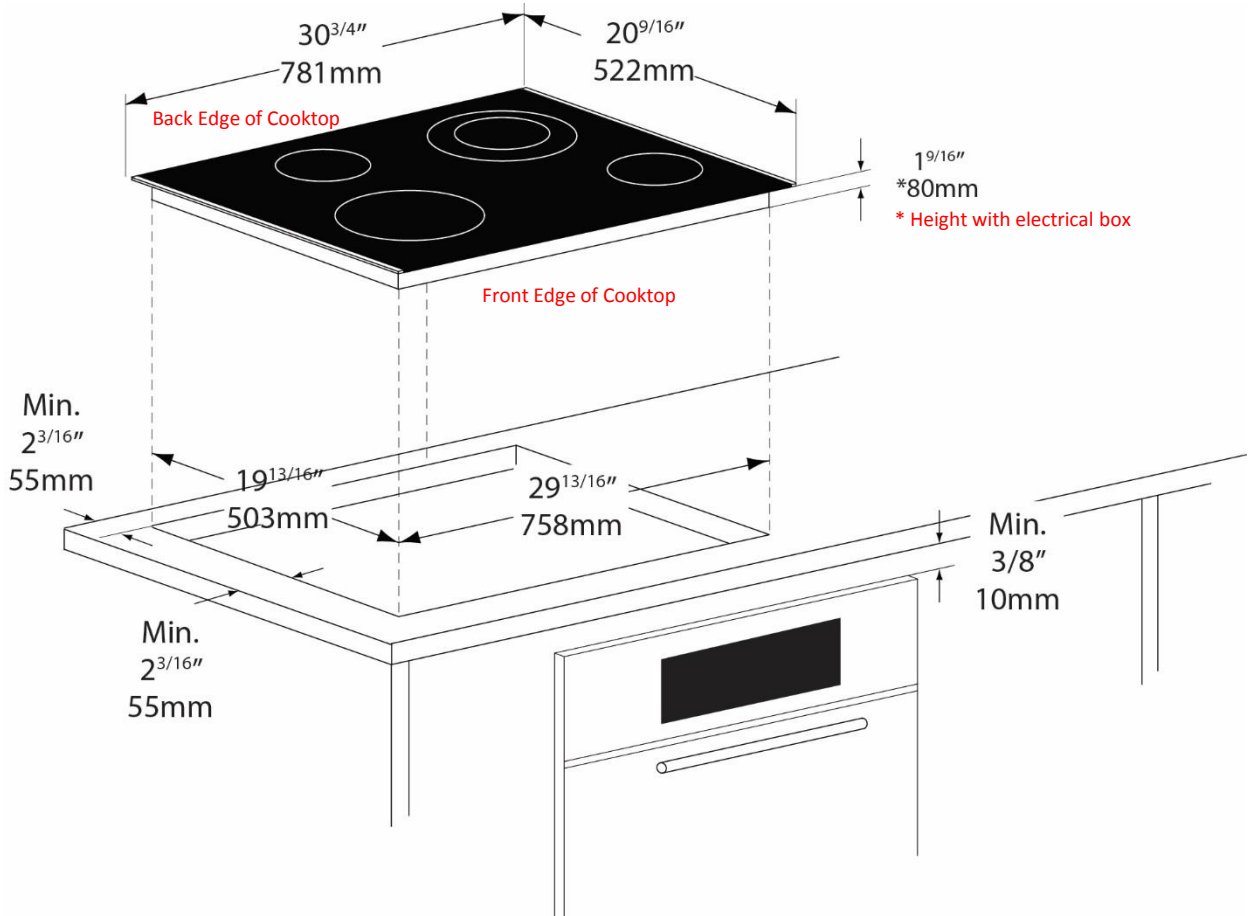
- D: 20<sup>9/16</sup>" • W: 30<sup>3/4</sup>"
- D: 522 mm • W: 781 mm

### CUT-OUT DIMENSIONS

- D: 19<sup>13/16</sup>" • W: 29<sup>13/16</sup>"
- D: 503 mm • W: 758 mm

# SPECIFICATIONS

CC76V



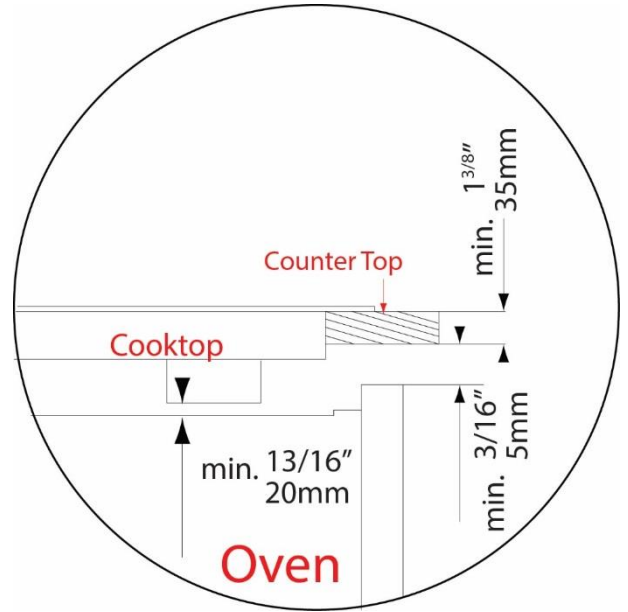
# SPECIFICATIONS

CC76V

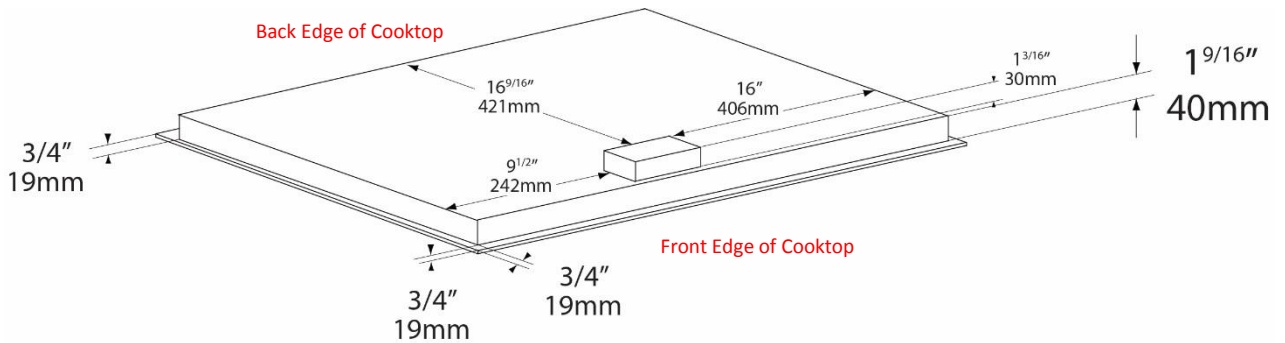
## INSTALLING OVER BUILT-IN OVEN

- There must be a minimum of 20mm (13/16") of space left between the bottom of the cooktop and the oven to allow air to flow.
- There must be a minimum of 5mm (3/16") of space left between the counter top and the door panel of a built-in oven / drawer.
- If insufficient air flow is provided, the life of the appliance will be shortened.

## SIDE VIEW



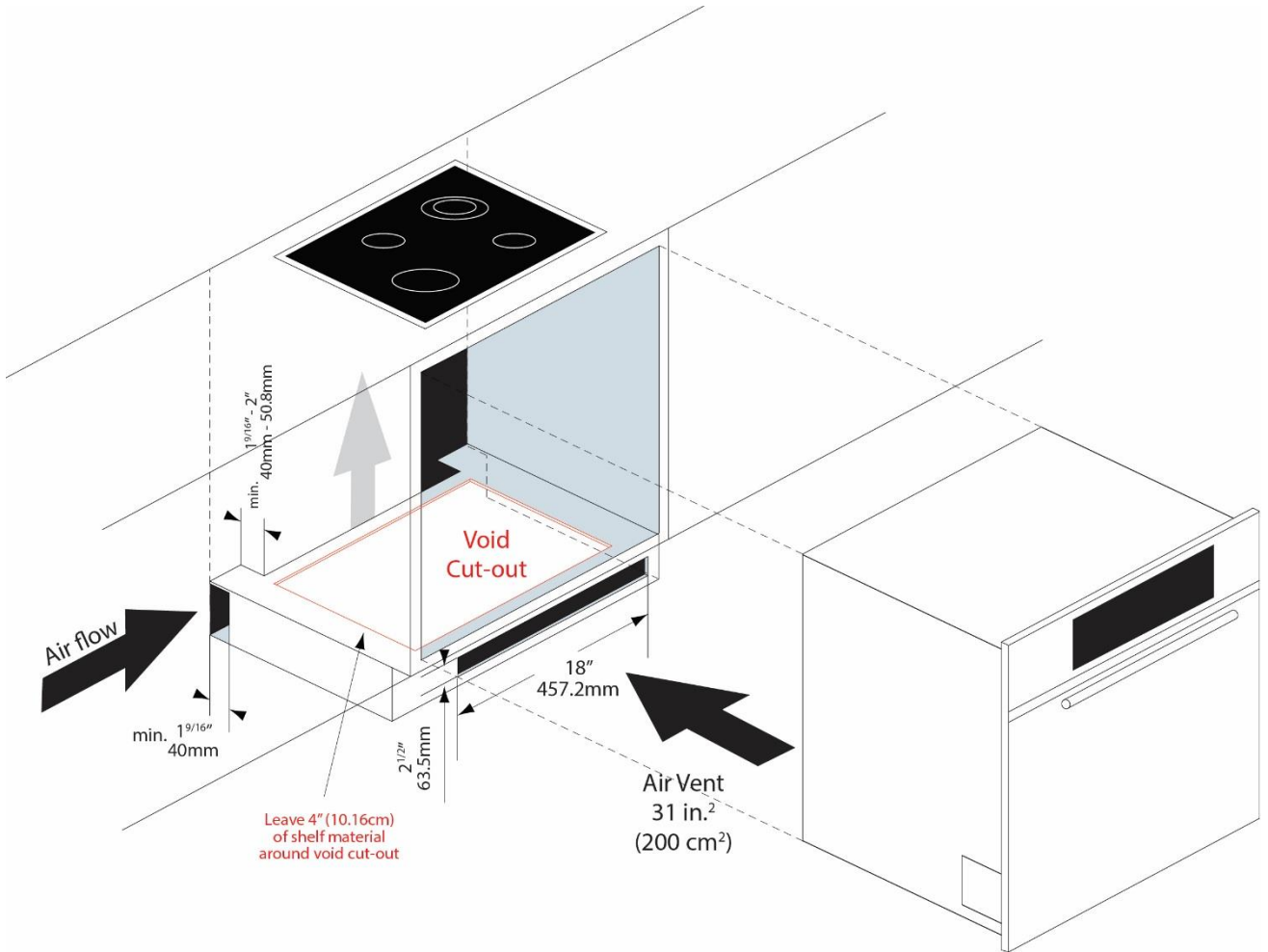
## UNDERSIDE VIEW



# SPECIFICATIONS

CC76V

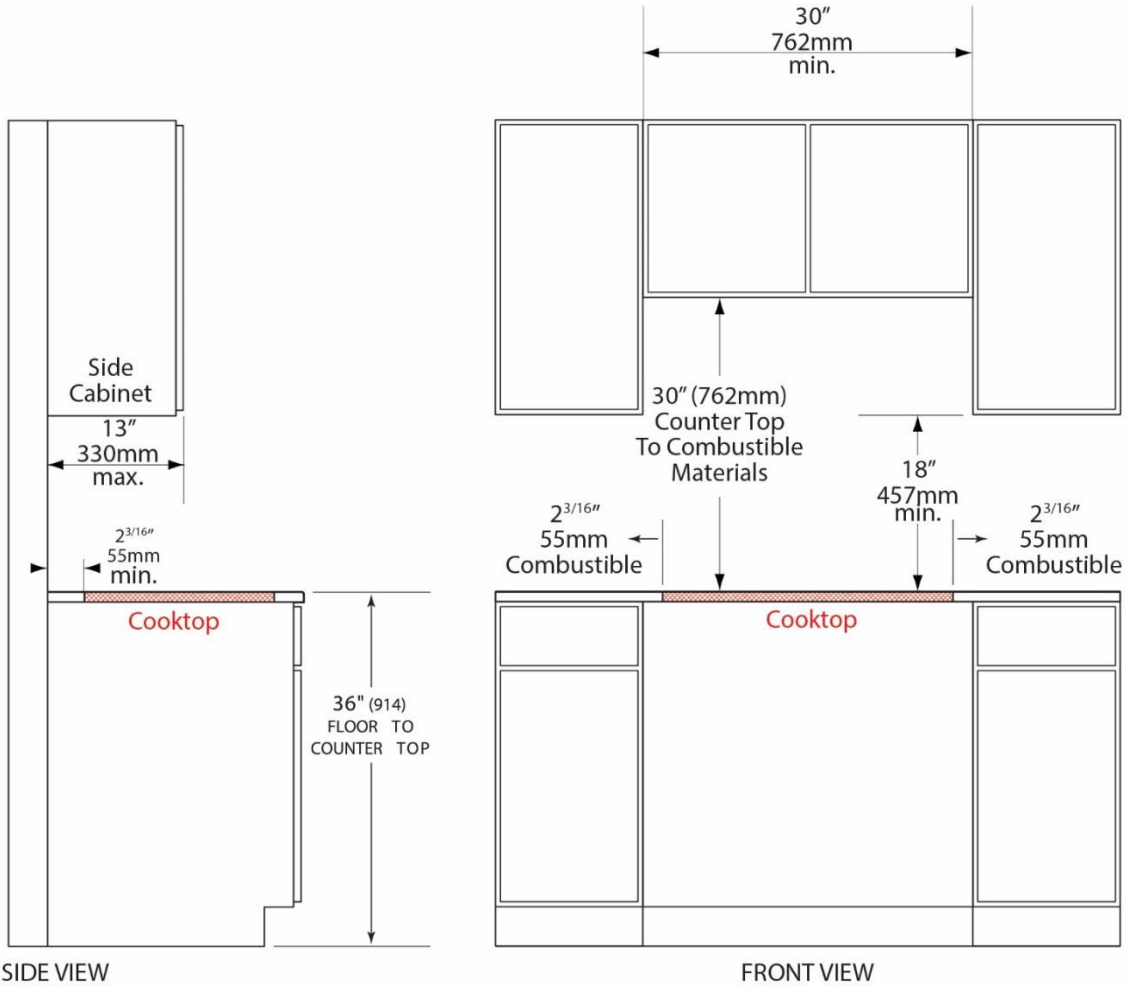
## RECOMMENDED CABINET SPECIFICATIONS



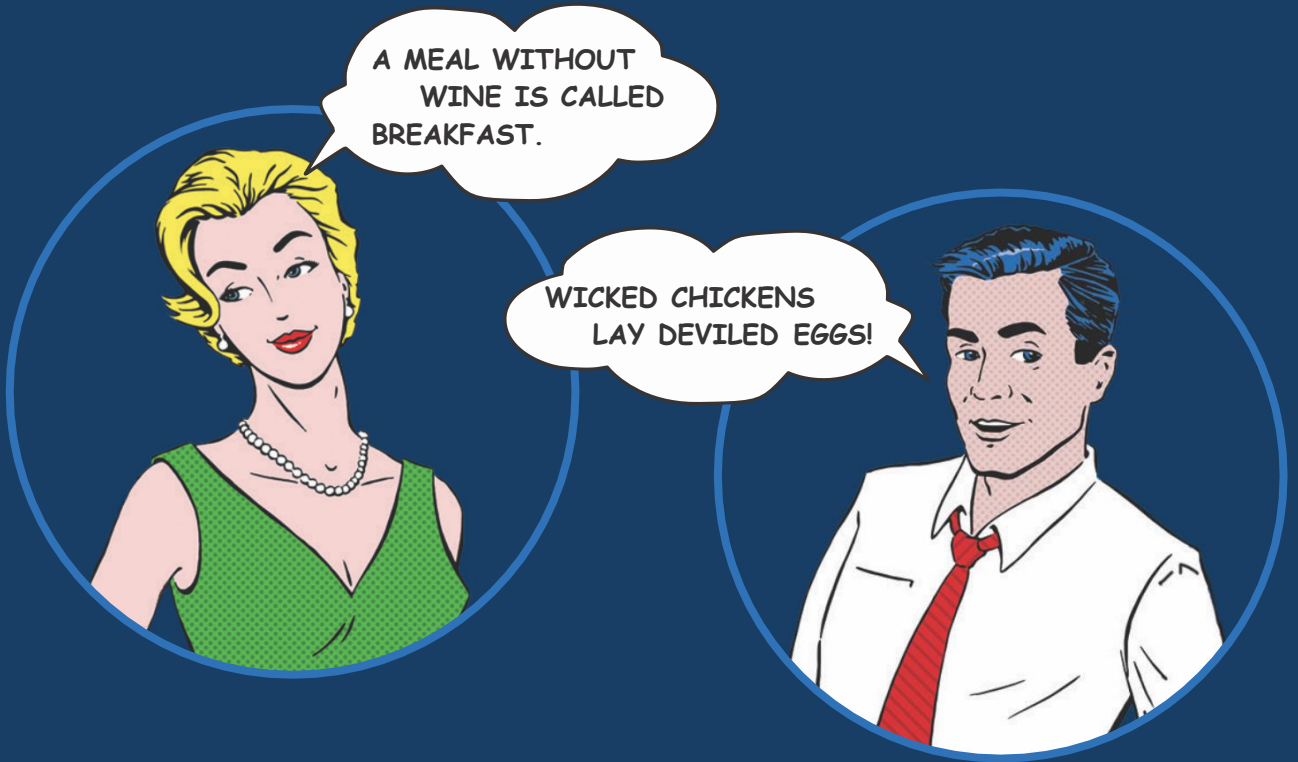
# SPECIFICATIONS

CC76V

## RECOMMENDED CABINET MINIMUM CLEARANCE







Porter & Charles Appliances are designed and manufactured to the highest standards. Each appliance is covered by a comprehensive 2-year parts and labour warranty.

Refer to product warranty policy for complete terms and conditions.

#### FOR PARTS AND SERVICE

Euro-Parts & Service

39822 Belgrave Road, Belgrave, ON. N0G 1E0  
1 800 678 8352 (Canada) • 1 800 561 4614 (U.S.)

[www.euro-parts.ca](http://www.euro-parts.ca) • [parts@euro-parts.ca](mailto:parts@euro-parts.ca) • [service@euro-parts.ca](mailto:service@euro-parts.ca)

Porter & Charles appliances are imported and distributed in North America by Euro-Line Appliances Inc. For more information, please visit one of our showrooms or

[www.euro-line-appliances.com](http://www.euro-line-appliances.com) / [www.elawest.com](http://www.elawest.com)

#### EURO-LINE APPLIANCES INC.

871 Cranberry Court  
Oakville, ON L6L 6J7 Canada  
905 829 3980  
1 800 421 6332

[marketing@euro-line-appliances.com](mailto:marketing@euro-line-appliances.com)

#### EURO-LINE APPLIANCES WEST INC.

2912 West 4th Avenue  
Vancouver, BC V6K 1R2 Canada  
604 235 3980  
1 855 ELA WEST (352.9378)

[info@elawest.com](mailto:info@elawest.com)

