



SOPS76TM

30" Stainless Steel Built-in Multi-function Oven

Porter & Charles

2016 SPECIFICATION SHEET

SOPS76TM

30" Stainless Steel Built-in Multi-function Oven

Let your kitchen be your showpiece! Designed to blend perfectly with all other appliances to enhance the appearance of any kitchen. A function to suit any cooking need thoughtfully designed to make cooking more enjoyable and efficient, and provide delectable results meal after meal.



OVEN ACCESSORIES

- Grill/roasting pan
- Reversible grill insert
- Full extension telescopic rails
- 2 chrome oven racks

CONDO ELECTRICAL REQUIREMENTS

- 208 Volt, 60Hz, 3460 Watt, 20 AMP

HOUSE ELECTRICAL REQUIREMENTS

- 240 Volt, 60Hz, 4580 Watt, 30 AMP

OVEN FEATURES

- 120L (4.3 cu. ft) interior capacity
- 9 cooking functions including True Fan convection
- Heat-activated catalytic liners for a continuous clean
- Hot air cooking technology for perfect cooking
- Fully automatic digital clock and timer
- Cooking Duration Feature and End Time cooking control
- Oven power indicator and temperature pilot light
- Metric and imperial baking chart on inside of door
- Soft close door closing technology
- 5 shelf positions
- Cooling fan

OVEN DIMENSIONS

- W: 29^{3/4}" • D: 22^{3/4}" • H: 24^{7/16}"
- W: 756 mm • D: 578 mm • H: 620 mm

CUT-OUT DIMENSIONS

- W: 28^{7/16}" • D: 22^{1/4}" • H: 23^{3/16}"
- W: 723 mm • D: 565 mm • H: 614 mm

SPECIFICATIONS

SOPS76TM

CUT-OUT DIMENSIONS

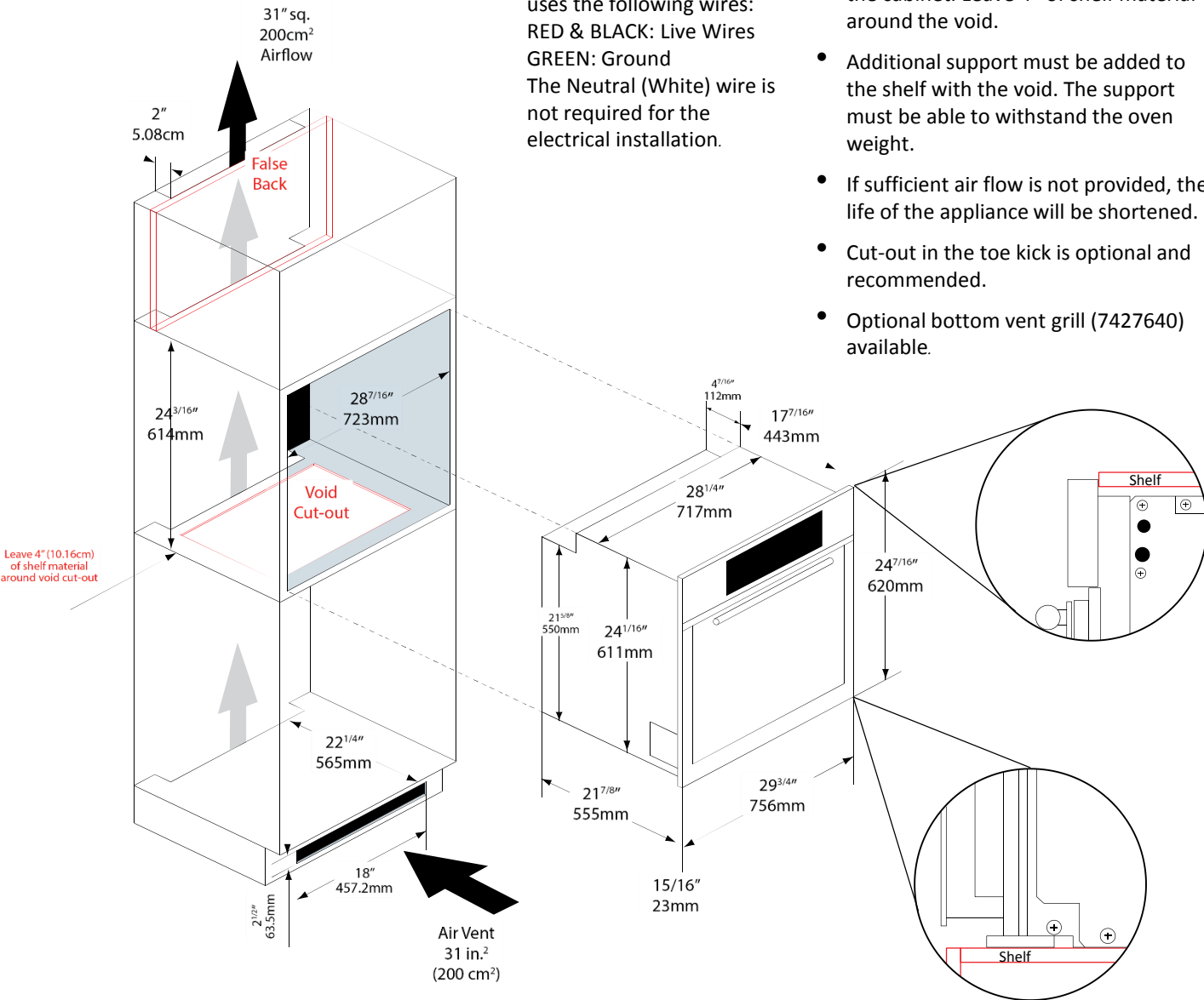
- W: 28⁷/₁₆" • D: 22¹/₄" • H: 23³/₁₆"
- W: 723 mm • D: 565 mm • H: 614 mm

IMPORTANT

- PORTER&CHARLES ovens are supplied with a 5' long electrical cable and must be hard wired to the electrical supply
- PORTER&CHARLES ovens uses the following wires:
RED & BLACK: Live Wires
GREEN: Ground
The Neutral (White) wire is not required for the electrical installation.

VOID CUT-OUT

- If the oven is mounted in a tall or demi-tall cabinet, there must be a minimum gap of 19/16" (4cm) cut out of the shelf and behind the upper cabinet to allow air to flow freely
- A void must be cut-out in the shelf of the cabinet. Leave 4" of shelf material around the void.
- Additional support must be added to the shelf with the void. The support must be able to withstand the oven weight.
- If sufficient air flow is not provided, the life of the appliance will be shortened.
- Cut-out in the toe kick is optional and recommended.
- Optional bottom vent grill (7427640) available.



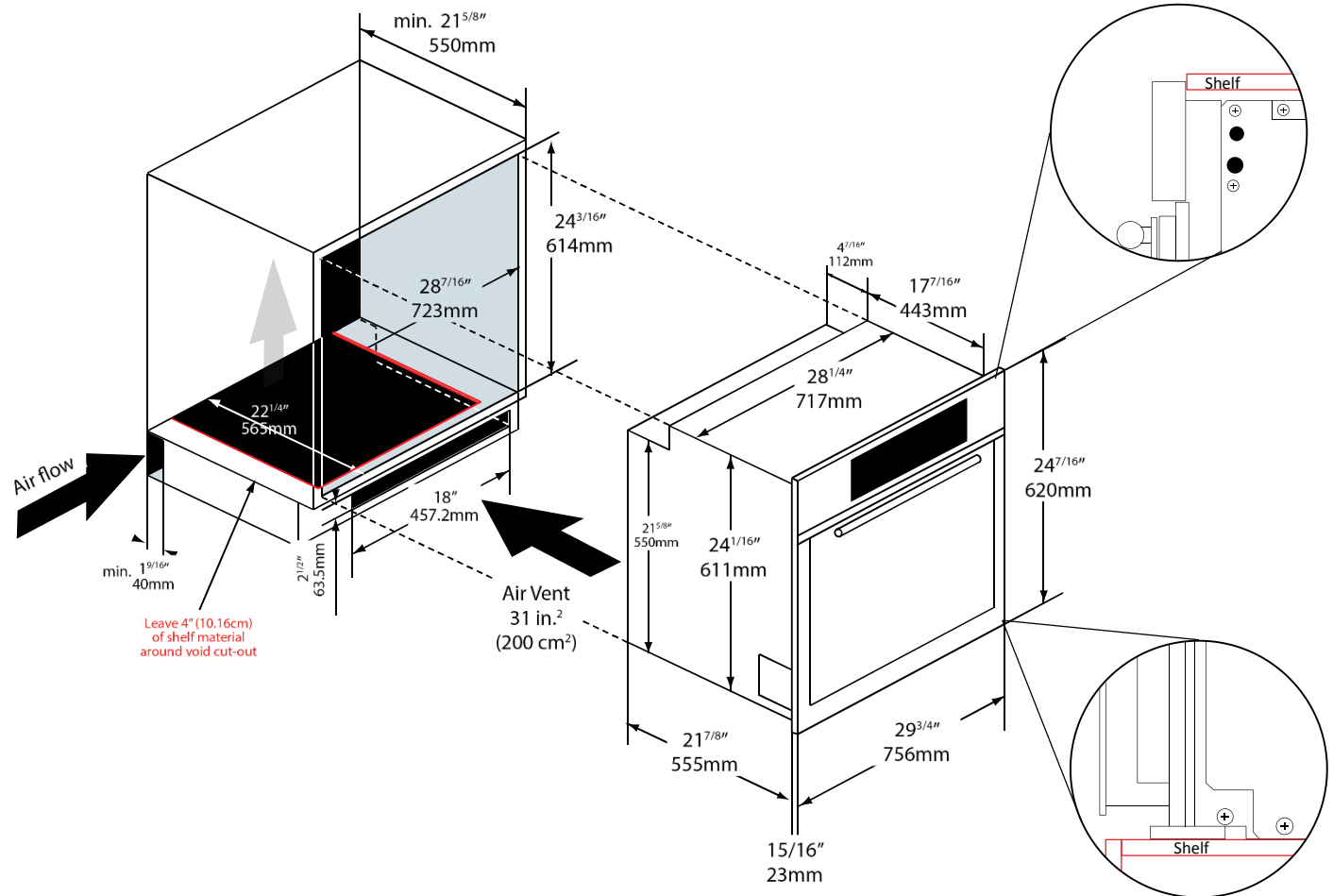
SPECIFICATIONS


SOPS76TM

RECOMMENDED CABINET SPECIFICATIONS

AIRFLOW REQUIREMENTS

- If the oven is being placed under the counter, there must be a minimum gap of 19/16" (4cm) cut out of the shelf behind the oven to allow air to flow freely.
- A void must be cut-out in the shelf of the cabinet. Leave 4" of shelf material around the void.
- Additional support must be added to the shelf with the void. The support must be able to withstand the oven weight.
- If sufficient air flow is not provided, the life of the appliance will be shortened.
- Cut-out in the toe kick is optional and recommended.
- Bottom vent grill (7427640) available.





A MEAL WITHOUT
WINE IS CALLED
BREAKFAST.



WICKED CHICKENS
LAY DEVILED EGGS!

Porter & Charles Appliances are designed and manufactured to the highest standards. Each appliance is covered by a comprehensive 2-year parts and labour warranty.

Refer to product warranty policy for complete terms and conditions.

FOR PARTS AND SERVICE

Euro-Parts & Service

39822 Belgrave Road, Belgrave, ON. N0G 1E0
1 800 678 8352 (Canada) • 1 800 561 4614 (U.S.)

www.euro-parts.ca • parts@euro-parts.ca • service@euro-parts.ca

Porter & Charles appliances are imported and distributed in North America by Euro-Line Appliances Inc. For more information, please visit one of our showrooms or

www.euro-line-appliances.com / www.elawest.com

EURO-LINE APPLIANCES INC.

871 Cranberry Court
Oakville, ON L6L 6J7 Canada
905 829 3980
1 800 421 6332

marketing@euro-line-appliances.com

EURO-LINE APPLIANCES WEST INC.

2912 West 4th Avenue
Vancouver, BC V6K 1R2 Canada
604 235 3980
1 855 ELA WEST (352.9378)

info@elawest.com

