

**SPPS60TM**  
24" Built-In Stainless Steel Speed Oven

Porter & Charles  
2016 SPECIFICATION SHEET

# SPPS60TM

## 24" Built-In Stainless Steel Speed Oven

*An excellent addition to any suite of kitchen appliances. More than simply a convenient way to defrost food, the speed is a multi-function appliance that offers advanced programs such as grilling, and provides cooking results that far exceed the expectations of most microwave ovens.*



### ELECTRICAL REQUIREMENTS

- 208/240 Volt, 60Hz, 20 amp
- Supplied with a 5ft long electrical cable and must be hard wired

### SPEED OVEN DIMENSIONS

D: 20<sup>15/16</sup>" • W: 23<sup>7/16</sup>" • H: 17<sup>13/16</sup>"

D: 531 mm • W: 595 mm • H: 453 mm

### CUT-OUT DIMENSIONS

D: 21<sup>5/8</sup>" • W: 22<sup>1/16</sup>" • H: 17<sup>3/4</sup>"

D: min. 550 mm • W: min. 560 mm • H: 450 mm

### SPEED OVEN FEATURES

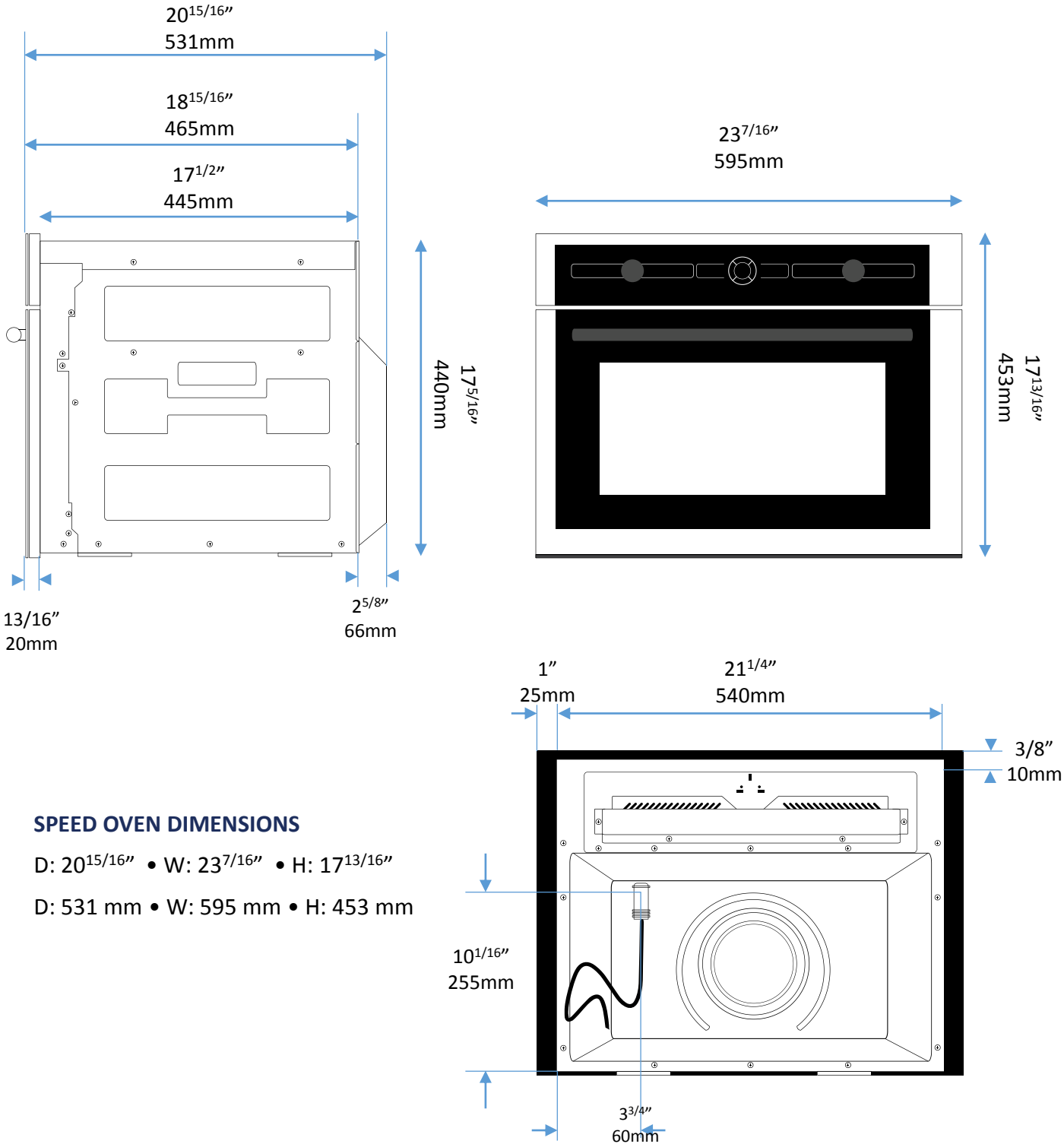
- 38 litre interior capacity
- Microwave, convection, grill modes
- Fingerprint proof stainless steel frame
- Stainless steel inner cavity
- Digital display with easy to use retractable control knobs
- Children's safety lock
- Memory function - program 3 favourite recipes
- 3 AutoCook functions
- Drop-down grill for easy cleaning
- Fully programmable clock and timer

### SPEED OVEN ACCESSORIES

- Circular glass turntable
- Turntable ring and support
- Browning plate
- Rectangular wire rack
- Rectangular glass tray
- Optional – TK455 : 2 piece stainless steel trim kit to create a seamless cooking tower in 30" cabinet opening

# SPECIFICATIONS

## SPPS60TM



### SPEED OVEN DIMENSIONS

D:  $20\frac{15}{16}''$  • W:  $23\frac{7}{16}''$  • H:  $17\frac{13}{16}''$

D: 531 mm • W: 595 mm • H: 453 mm

# SPECIFICATIONS

## SPPS60TM

### SPEED OVEN DIMENSIONS

- D: 20<sup>15/16"</sup> • W: 23<sup>7/16"</sup> • H: 17<sup>13/16"</sup>
- D: 531 mm • W: 595 mm • H: 453 mm

### CUT-OUT DIMENSIONS

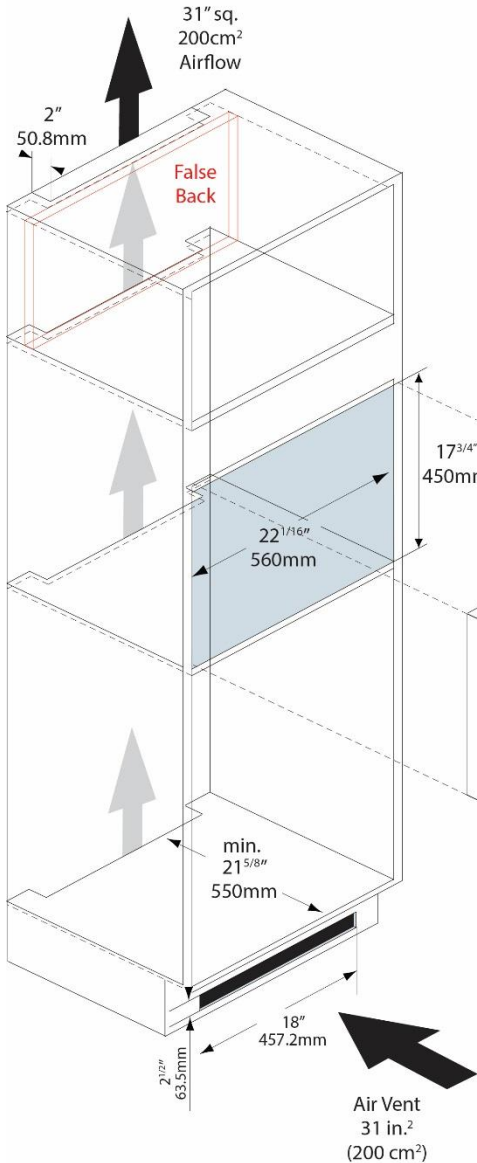
- D: 21<sup>5/8"</sup> • W: 22<sup>1/16"</sup> • H: 17<sup>3/4"</sup>
- D: min. 550 mm • W: min. 560 mm • H: 450 mm

### ELECTRICAL REQUIREMENTS

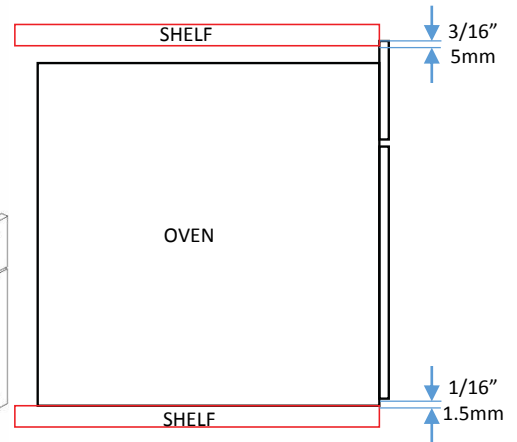
- 208 / 240 Volt, 60Hz, 20 AMP

#### \*IMPORTANT\*

- PORTER&CHARLES ovens are supplied with a 5' long electrical cable and must be hard wired to the electrical supply
- PORTER&CHARLES ovens uses the following wires:  
RED & BLACK: Live Wires  
GREEN: Ground  
The Neutral (White) wire is not required for the electrical installation.



### SIDE VIEW

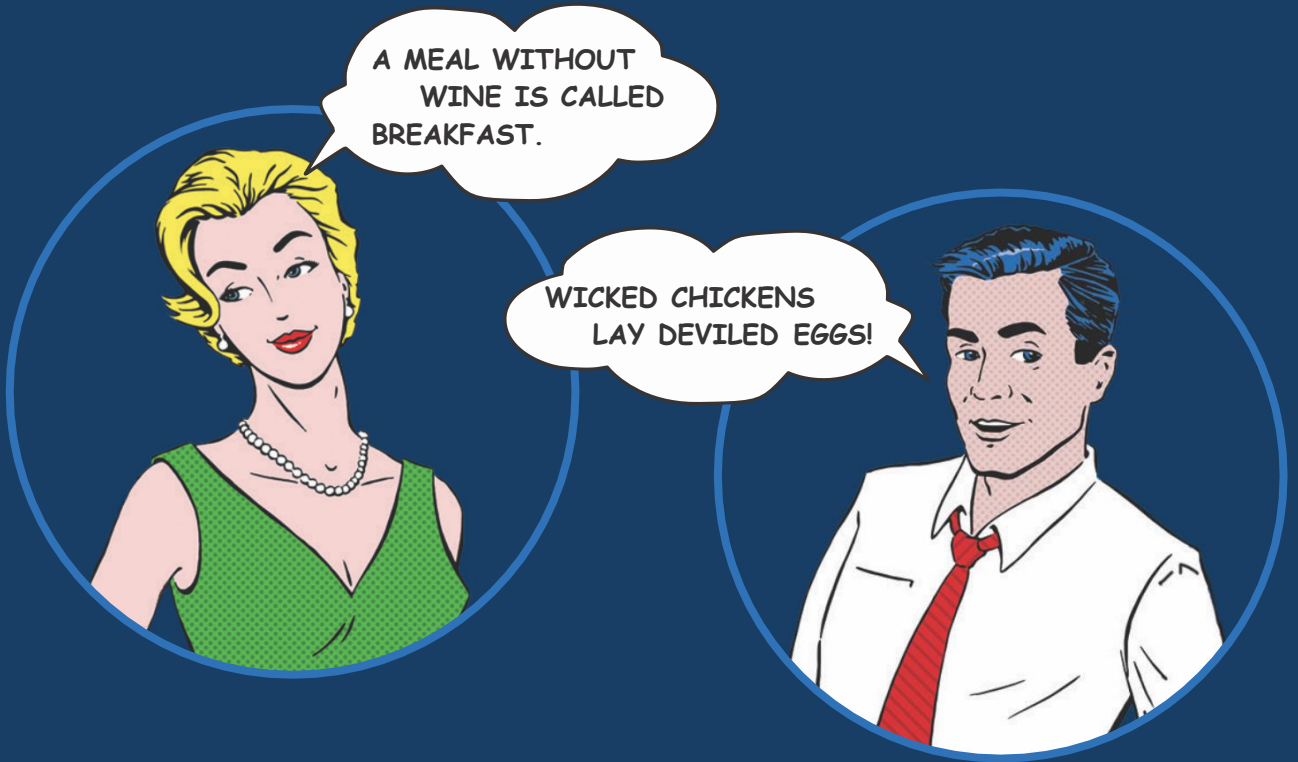


### FALSE BACKS

- Install false backs for storage spaces. This will prevent contents from falling through the vent space. In addition, warm air will not interfere with your stored contents







Porter & Charles Appliances are designed and manufactured to the highest standards. Each appliance is covered by a comprehensive 2-year parts and labour warranty.

Refer to product warranty policy for complete terms and conditions.

#### FOR PARTS AND SERVICE

Euro-Parts & Service

39822 Belgrave Road, Belgrave, ON. N0G 1E0  
1 800 678 8352 (Canada) • 1 800 561 4614 (U.S.)

[www.euro-parts.ca](http://www.euro-parts.ca) • [parts@euro-parts.ca](mailto:parts@euro-parts.ca) • [service@euro-parts.ca](mailto:service@euro-parts.ca)

Porter & Charles appliances are imported and distributed in North America by Euro-Line Appliances Inc. For more information, please visit one of our showrooms or [www.euro-line-appliances.com](http://www.euro-line-appliances.com) / [www.elawest.com](http://www.elawest.com)

#### EURO-LINE APPLIANCES INC.

871 Cranberry Court  
Oakville, ON L6L 6J7 Canada  
905 829 3980  
1 800 421 6332

[marketing@euro-line-appliances.com](mailto:marketing@euro-line-appliances.com)

#### EURO-LINE APPLIANCES WEST INC.

2912 West 4th Avenue  
Vancouver, BC V6K 1R2 Canada  
604 235 3980  
1 855 ELA WEST (352.9378)

[info@elawest.com](mailto:info@elawest.com)

