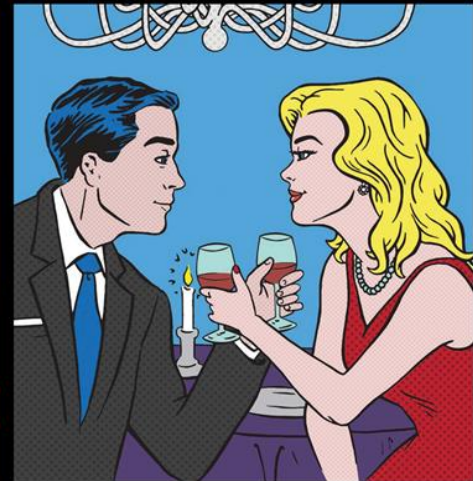


HELP! THE ONLY
REASON I HAVE A
KITCHEN IS THAT IT CAME
WITH THE HOUSE.



THE INTELLIGENT HAVE
PLANS BUT THE WISE HAVE
DESIGN PRINCIPLES.



FEG76B3

30" Dual Fuel Range

Porter & Charles

2016 SPECIFICATION SHEET

FEG76B3

30" Dual Fuel Range

Porter & Charles ranges offer exceptional quality and performance. Aesthetic highlights include clean lines and attention to detail, from the ergonomic handle to the interior light. Hand assembled and hand finished using the highest quality stainless steel, the quality is not only visual but can be felt. All ranges were designed with the user in mind, with features to make cooking more enjoyable and clean-up as simple as possible.



OVEN ACCESSORIES

- Grill/roasting pan
- Reversible grill insert
- Full extension telescopic rails
- 2 chrome oven racks

ELECTRICAL REQUIREMENTS

- 208/240 volt, 60Hz, 40 amp
- Supplied with 4ft. range cord and plug

RANGE FEATURES

- 30" (76cm) stainless steel dual fuel range
- 105L (3.8cu.ft) oven capacity
- 9 cooking functions including True Fan convection for perfect cooking
- Double glazed removable door
- 5 sealed gas burners
- Heat-activated continuous clean catalytic liners
- Continuous cast iron grates
- Metric and imperial baking chart on inside of door
- Full extension telescopic rails
- Fully programmable clock/timer with delay start and finish
- Warming drawer, 30L (1.06cu.ft) capacity
- Includes LPG conversion kit
- Adjustable leg height and flush with cabinets

RANGE DIMENSIONS

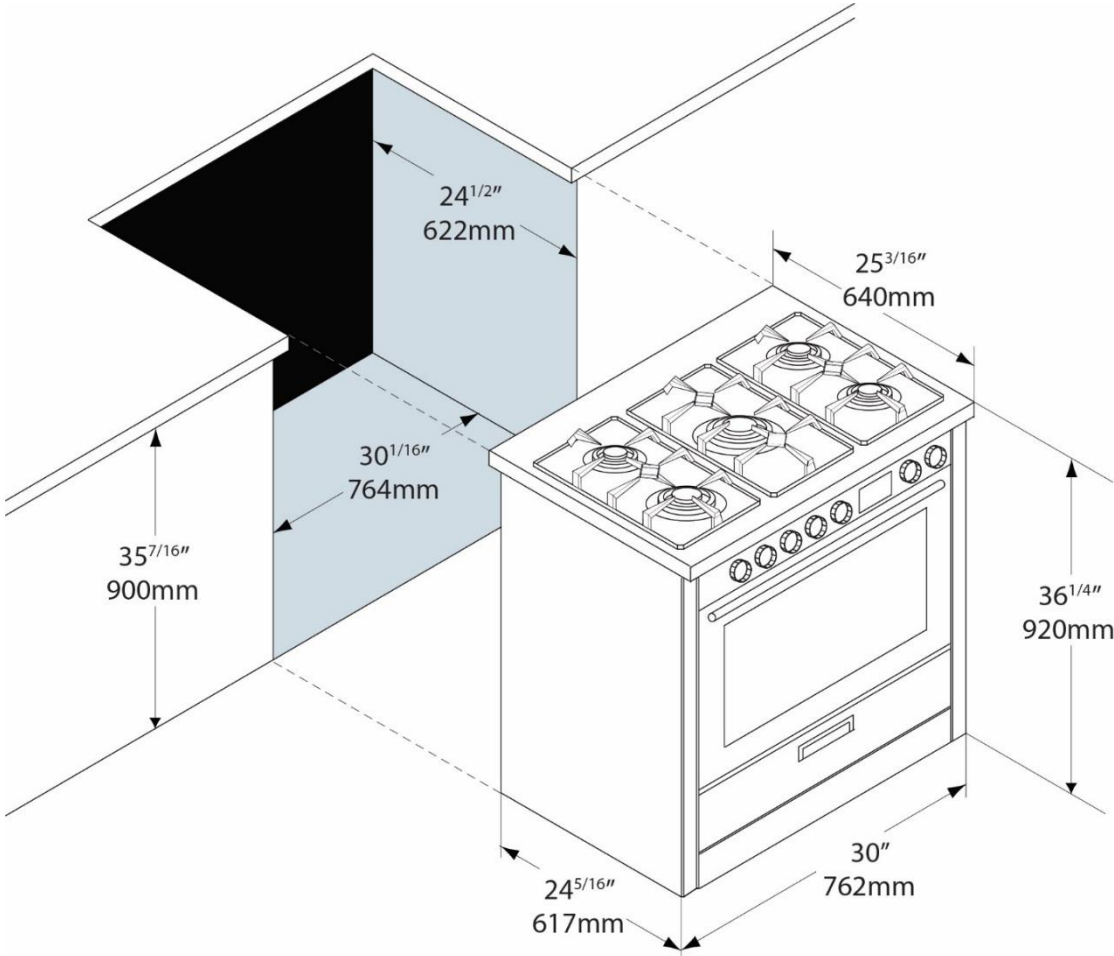
- D: 25^{3/16}" x W: 30" x H: 35^{7/16}" - 36^{1/4}"
- D: 640 mm x W: 762 x H: 900mm - 920 mm

CUT-OUT DIMENSIONS

- D: 24^{1/2}" x W: 30^{1/16}"
- D: 622 mm x W: 764 mm

SPECIFICATIONS

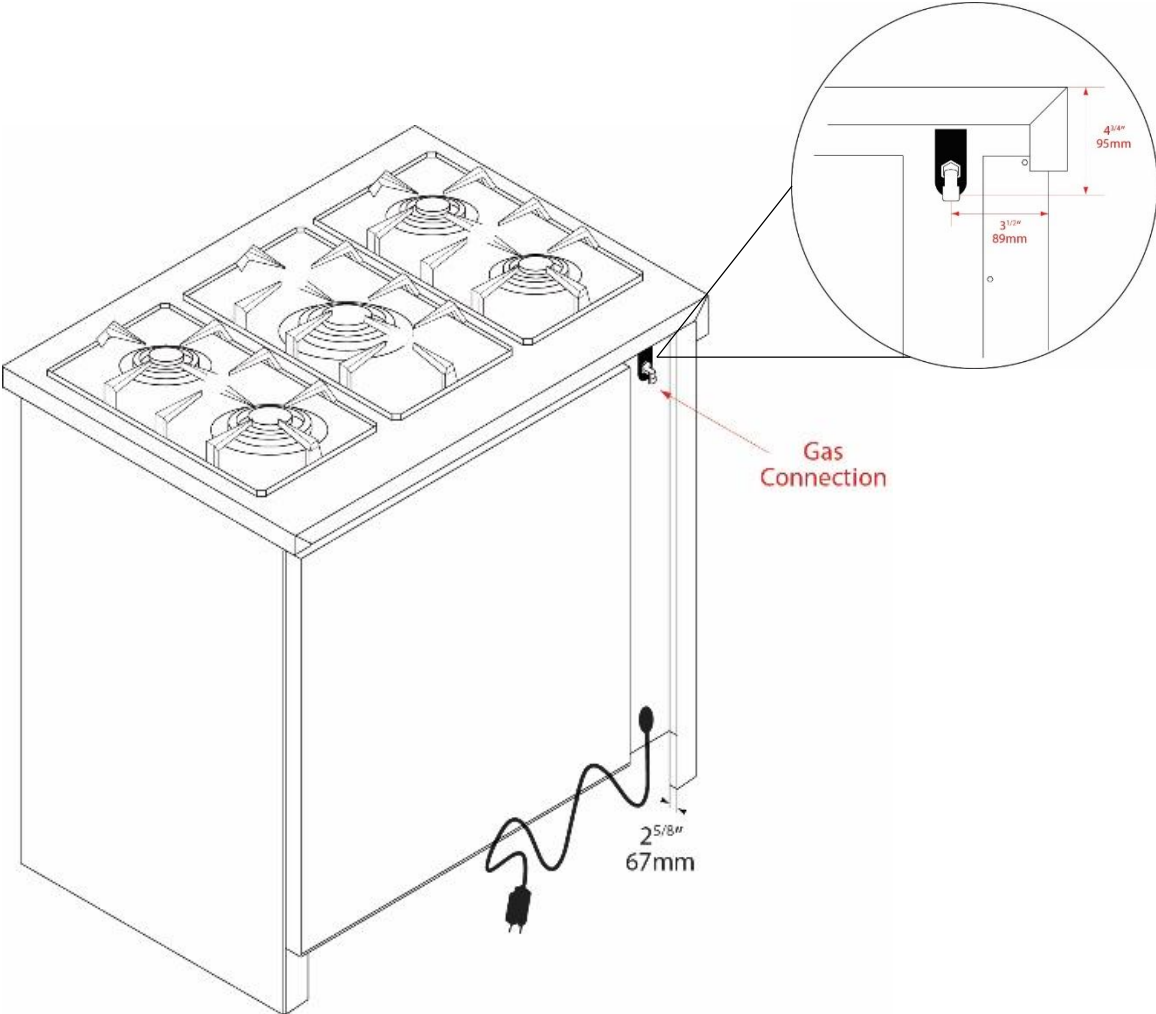
FEG76B3



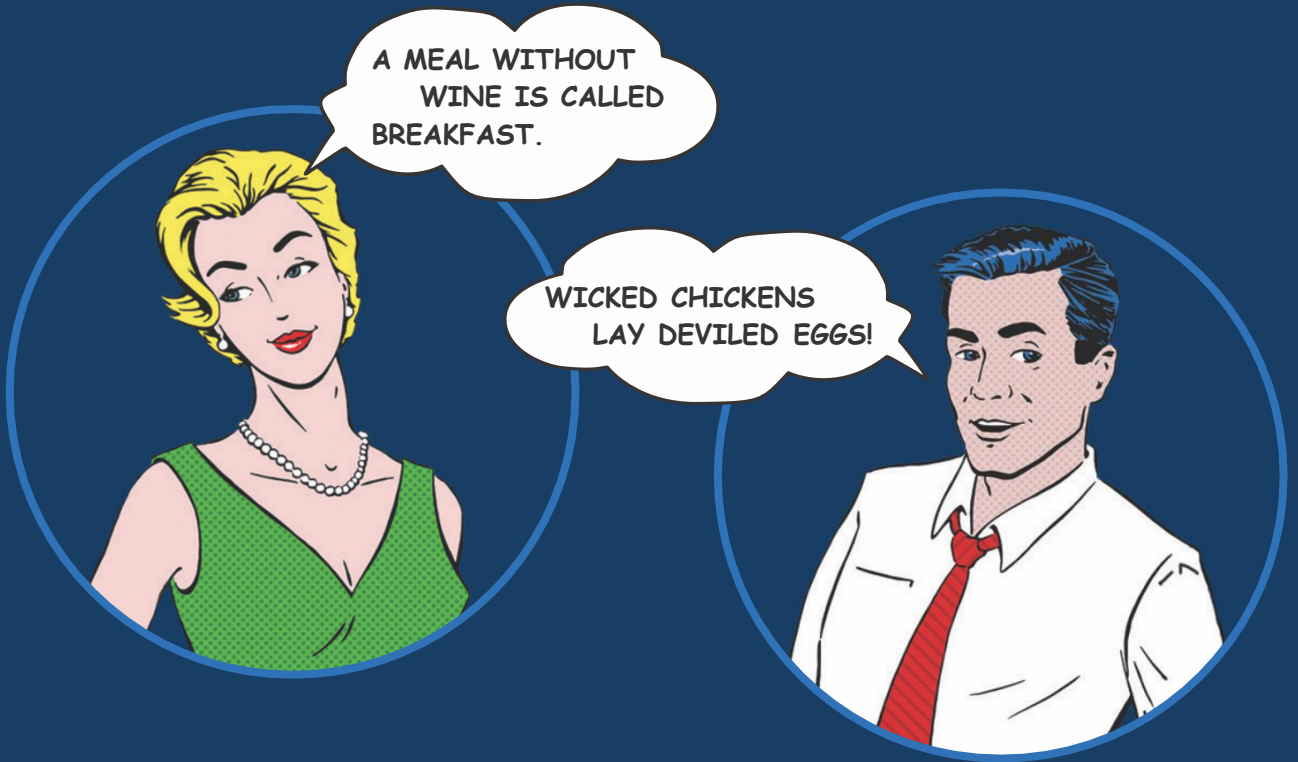
Specifications are subject to change without notice
V1.0

SPECIFICATIONS

FEG76B3



Specifications are subject to change without notice
V1.0



Porter & Charles Appliances are designed and manufactured to the highest standards. Each appliance is covered by a comprehensive 2-year parts and labour warranty.

Refer to product warranty policy for complete terms and conditions.

FOR PARTS AND SERVICE

Euro-Parts & Service

39822 Belgrave Road, Belgrave, ON. N0G 1E0
1 800 678 8352 (Canada) • 1 800 561 4614 (U.S.)

www.euro-parts.ca • parts@euro-parts.ca • service@euro-parts.ca

Porter & Charles appliances are imported and distributed in North America by Euro-Line Appliances Inc. For more information, please visit one of our showrooms or www.euro-line-appliances.com / www.elawest.com

EURO-LINE APPLIANCES INC.

871 Cranberry Court
Oakville, ON L6L 6J7 Canada
905 829 3980
1 800 421 6332

marketing@euro-line-appliances.com

EURO-LINE APPLIANCES WEST INC.

2912 West 4th Avenue
Vancouver, BC V6K 1R2 Canada
604 235 3980
1 855 ELA WEST (352.9378)

info@elawest.com

