
Porter&Charles

CI60V



INDUCTION HOB

INSTALLATION AND OPERATING INSTRUCTIONS

CONTENTS:

Safety instructions	3
Description of the appliance	5
Cooking surface and control panel of heaters.....	5
Operation of the appliance	7
Switching the appliance on and off.....	7
Switching the cooking-zones on and off.....	7
Smart Pause.....	7
Residual heat indicator.....	8
Safety switch off function.....	9
Child Lock.....	9
Timer function (*optional).....	10
Buzzer	11
Boost Function	11
Hints and tips	12
Installation of the appliance	14
Installation safety.....	14
Fitting the hob into a worktop.....	14
Making an electrical connection.....	16
Electrical connection diagram.....	17

SAFETY INSTRUCTIONS

READ THESE INSTRUCTIONS CAREFULLY AND COMPLETELY BEFORE USING YOUR APPLIANCE, AND KEEP IT IN A CONVENIENT PLACE FOR REFERENCE WHEN NECESSARY.

THIS MANUAL IS PREPARED FOR MORE THAN ONE MODEL IN COMMON. YOUR APPLIANCE MAY NOT HAVE SOME OF THE FEATURES THAT ARE EXPLAINED IN THIS MANUAL. PAY ATTENTION TO THE EXPRESSIONS THAT HAVE FIGURES, WHILE YOU ARE READING THE OPERATING MANUAL.

General Safety Warnings

- This appliance can be used by children aged from 8 years and above and persons with reduced physical, sensory or mental capabilities or lack of experience and knowledge if they have been given supervision or instruction concerning use of the appliance in a safe way and understand the hazards involved. Children shall not play with the appliance. Cleaning and user maintenance shall not be made by children without supervision.
- **WARNING:** The appliance and its accessible parts become hot during use. Care should be taken to avoid touching heating elements. Children less than 8 years of age shall be kept away unless continuously supervised.
- **WARNING:** Unattended cooking on a hob with fat or oil can be dangerous and may result in fire. NEVER try to extinguish a fire with water, but switch off the appliance and then cover flame e.g. with a lid or a fire blanket.
- **WARNING:** Danger of fire: do not store items on the cooking surfaces.

-
- **WARNING:** If the surface is cracked, switch off the appliance to avoid the possibility of electric shock.
 - For induction hobs, metallic objects such as knives, forks, spoons and lids should not be placed on the hob surface since they can get hot.
 - For induction hobs, after use, switch off the hob element by its control and do not rely on the pan detector.
 - For hobs incorporating a lid, any spillage should be removed from the lid before opening. And also the hob surface should be allowed to cool before closing the lid.
 - The appliance is not intended to be operated by means of an external timer or separate remote-control system.
 - Do not use harsh abrasive cleaners or sharp metal scrapers to clean the oven door glass and other surface since they can scratch the surface, which may result in shattering of the glass or damage to the surface.
 - Do not use steam cleaners for cleaning the appliance.

-
- Your appliance is produced in accordance with all applicable local and international standards and regulations.
 - Maintenance and repair work must be made only by authorized service technicians. Installation and repair work that is carried out by unauthorized technicians may endanger you. It is dangerous to alter or modify the specifications of the appliance in any way.
 - Prior to installation, ensure that the local distribution conditions (nature of the gas and gas pressure or electricity voltage and frequency) and the requirements of the appliance are compatible. The requirements for this appliance are stated on the label.
 - **CAUTION:** This appliance is designed only for cooking food and is intended for indoor domestic household use only and should not be used for any other purpose or in any other application, such as for non-domestic use or in a commercial environment or room heating.
 - All possible security measures have been taken to ensure your safety. Since the glass may break, you should be careful while cleaning to avoid scratching. Avoid hitting or knocking on the glass with accessories.
 - Ensure that the supply cord is not wedged during the installation. If the supply cord is damaged, it must be replaced by the manufacturer, its service agent or similarly qualified persons in order to prevent a hazard.

Installation Warnings

- Do not operate the appliance before it is fully installed.
- The appliance must be installed by an authorized technician and put into use. The producer is not responsible for any damage that might be caused by defective placement and installation by unauthorized people.
- When you unpack the appliance, make sure that it is not damaged during transportation. In case of any defect; do not use the appliance and contact a qualified service agent immediately. As the materials used for packaging (nylon, staplers, styrofoam...etc) may cause harmful effects to children, they should be collected and removed immediately.
- Protect your appliance against atmospheric effects. Do not expose it to effects such as sun, rain, snow etc.
- The surrounding materials of the appliance (cabinet) must be able to withstand a temperature of min 100°C.

During usage

- Do not put flammable or combustible materials, in or near the appliance when it is operating.
- Do not leave the cooker while cooking with solid or liquid oils. They may catch fire on condition of extreme heating. Never pour water on to flames that are caused by oil. Cover the saucepan or frypan with its cover in order to choke the flame that has occurred in this case and turn the cooker off.
- Always position pans over the centre of the cooking zone, and turn the handles to a safe position so they cannot be knocked or grabbed.
- If you will not use the appliance for a long time, plug it off. Keep the main control switch off. Also when you do not use the appliance, keep the gas valve off.
- Make sure the appliance control knobs are always in the "0" (stop) position when it is not used.

During cleaning and maintenance

- Always turn the appliance off before operations such as cleaning or maintenance. You can do it after plugging the appliance off or turning the main switches off.
- Do not remove the control knobs to clean the control panel.

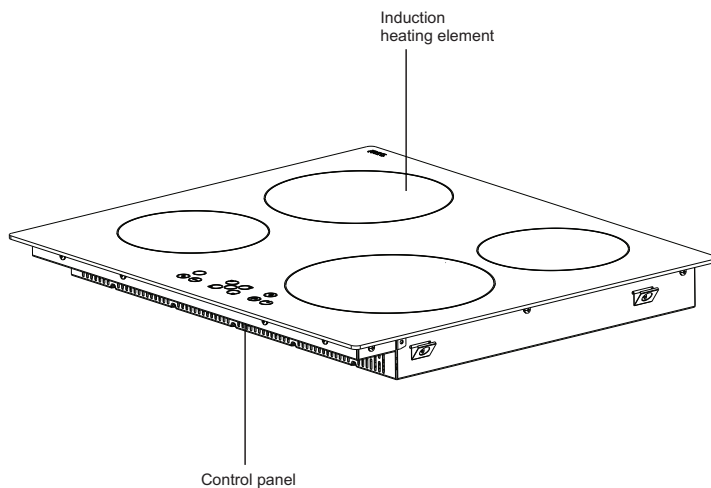
TO MAINTAIN THE EFFICIENCY AND SAFETY OF YOUR APPLIANCE, WE RECOMMEND YOU ALWAYS USE ORIGINAL SPARE PARTS AND TO CALL ONLY OUR AUTHORIZED SERVICE AGENTS IN CASE OF NEED.

DESCRIPTION OF THE APPLIANCE

Dear Customer,

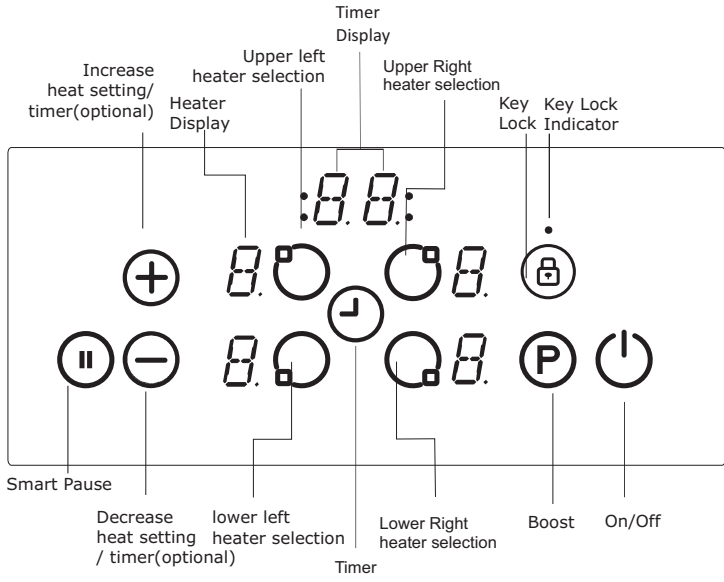
Please read the instructions in this user guide before using the hob and keep it for future reference.

Cooking Surface for 4 heater:





Control Panel for 4 heater :




OPERATION OF THE APPLIANCE

Use the induction cooking zones with suitable cookware.



After mains voltage is applied, all displays are come on for a moment. When this time is over, the hob is in the *stand-by mode* and it is ready for operation.

The hob is controlled with electronic sensors which are operated by touching the related sensors. Each sensor activation is followed by a sound signal (**buzzer**).

Switching the appliance on:



Switch the hob on by touching *ON/OFF* key . All heater displays show a static "0" and the bottom right dots blink. (If no cooking-zone is selected within 20 seconds, the hob will automatically turn off.)

Switching the appliance off:




Switch the hob off at any time by touching  *ON/OFF* key  has always priority in the switch off function.

Switching the cooking-zones on:

Touch the *heater selection* key you wish to cook on. There is a static dot indication on the selected heater display and the blinking dot on all other displays extinguish.


Select the temperature setting by using the *increase heat setting*  key or *decrease heat setting* key . The element is now ready to cook on. For quickest boil times, select desired cooking level and then touch the P key to activate Boost function.

Switching the cooking-zones off:

Select the element you want to switch off by pressing the *heater selection* key. Using  key, turn the temperature down to "0". (Also using  and  keys simultaneously turns the temperature to "0")

If the cooking zone is hot, "H" will be displayed instead of "0".

Switching all cooking-zones off:

To turn all the cooking zones off at once, touch the  key.

In the *stand-by mode*, an "H" appears on all cooking zones which are hot.

Residual heat indicator:

Residual heat indicator indicates that the glass ceramic has a dangerous touch temperature in the circumference of a cooking zone.


After switching off the cooking zone, the respective display shows "H" until the assigned cooking zone temperature is in an uncritical level.


Smart Pause

Smart Pause, when activated, reduces the power of all burners that have been switched on.

If you then deactivate the Smart Pause, the heaters will automatically return to the previous level.

If the Smart Pause is not de-activated, the cooktop will turn off after 30 minutes.

Touch () to activate Smart Pause. The power for the activated heater(s) will reduce to level 1 and "I" will appear at all displays.

Touch () again to deactivate Smart Pause. "I" will disappear and the heaters will now run at the level previously set.



Safety switch off function:

Every cooking zone will be switched off after a defined maximum operation time if the heat setting is not modified. Every change in the cooking zone puts back the maximum operation time to the initial value of the operating time limitation. The maximum operation time depends on the selected temperature level.

Heat setting	Safety switch off after
1 - 2	6 Hours
3 - 4	5 Hours
5	4 Hours
6 - 9	1,5 Hours

Child Lock:

After switching on the control, the child lock function can be activated. To activate the child lock, simultaneously operate the *increase heat setting* key (+) and *decrease heat setting* key (-) and then operate the *increase heat setting* key (+) again. "L" meaning LOCKED will appear in all heater displays and the control can not be changed. (If a cooking zone is in the hot condition, "L" and "H" will be displayed in alternation.)

The hob will remain in a locked condition until it gets unlocked, even if the control has been switched off and on.

To deactivate the child lock, first switch on the hob. Simultaneously operate the *increase heat setting* key (+) and *decrease heat setting* key (-) and then operate the *decrease heat setting* key (-) again. "L" will disappear in the display and the hob will be switched off.

Key Lock

Key lock functionality is for blocking and set the appliance into a save modus during operation. Touch modifications as for example rise heat settings and others should not be possible. It is only possible to switch the appliance off.



The lock function is active, if the Key Lock button (🔒) is pressed at least 2 sec. This operation is acknowledged by a buzzer. After successful operation of more than 2 sec, the Key Lock Indicator flashes and the heater is locked.

Timer function (*optional):




The timer function is realized in two versions:

Minute minder timer (1..99 min):

The minute minder timer can be operated if the cooking zones are switched off. The timer display shows "00" with a blinking dot.


Touch  to increase the time or touch  to decrease the time. Adjustment range is between 0 and 99 minutes. If there is no operation in 10 seconds, the minute minder timer will be set and the blinking dot will disappear. After the timer is set, the time runs down according to the adjustment.

When the time is over, a signal sounds and the timer display blinks. The sound signal will be stopped automatically after 30 seconds and/or by operating any key.

The minute minder timer can be changed or switched off anytime by operating the *timer setting* key  and/or *decrease timer* key . Switching off the hob by touching  at anytime will also switch off the minute minder timer.

Cooking zone timer (1..99 min):

When the hob is switched on, an independent timer can be programmed for every cooking zone.

Select a cooking zone, then select the temperature setting and finally activate the *timer setting* key , the timer can be programmed as a switch off function for a cooking zone. Around the timer four LEDs are arranged. These indicate for which cooking zone the timer has been activated.

10 seconds after the last operation, the timer display changes to the timer that will run out next (in case of programming more than 1 cooking zone).

When the timer has run down, a signal sounds and the timer display shows "00" statically, the assigned cooking zone timer LED blinks. The programmed cooking zone will be switched off and the "H" will be displayed if the cooking zone is hot.

The sound signal and the blinking of the timer LED will be stopped automatically after 30 seconds and/or by operating any key.

Buzzer :

While the hob is in operation, the following activities will be signalled by means of a buzzer:

- Normal key activation with a short sound signal
- Continuous operation of keys over a longer period of time (10 seconds) with a longer, intermitten sound signal.

Boost Function :

A cooking zone has to be selected, cooking level set to „desired cooking level" and P(Boost) key has to be pressed again.

Boost-Function can be activated if the induction module accepts the setting on this cooking zone. If Boost Function is active a „P" is displayed on the corresponding display.

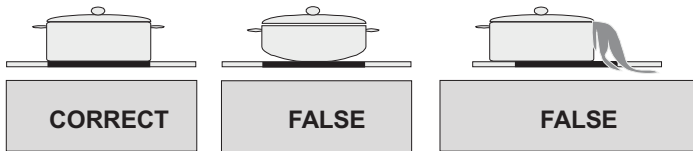
Activating the booster can exceed the maximum power and the integrated power management will be activated .

The necessary power reduction is shown by blinking of the corresponding cooking zone display. Blinking is active for 3 sec. and allows further adaptations of the settings before power reduction.

HINTS AND TIPS

Cookware

- Use thick, flat, smooth bottomed cookwares that are the same diameter as the element. This will help reduce cooking times.
- Cookware made of steel, enamelled steel, cast iron and stainless steel (if appropriately abelled by the manufacturer) will give you the best results.
- Cookware made of enamelled steel or aluminium or copper bottoms can cause a metallic residue to remain on the hob. If left, this becomes difficult to remove. Clean the hob after every use.
- Cookware is suitable for induction if a magnet sticks to the bottom of the cookware.
- Cookware must be placed centrally on the cooking zone. If it is not placed correctly, is displayed.
- When using certain pans, you may get various noises from the pans, this is due to the design of the pans and does not effect the performance or safety of the hob.



Energy saving

- Induction cooking zones adapt automatically to the size of the cookware bottom up to a certain limit. However the magnetic part of the cookware bottom must have a minimum diameter depending upon the size of the cooking zone.
- Place the cookware on the cooking zone before it is switched on. If it is switched on before putting any cookware, the cooking zone will not operate and the control display shows.
- Use a lid to reduce cooking time.
- When liquid comes to the boil, reduce the temperature setting.
- Minimise the amount of liquid or fat to reduce cooking times.
- Select the proper temperature setting for the cooking applications.

Examples of cooking applications

The information given in the following table is for guidance only.

Settings	Use for
0	Element off
1 - 3	Delicate warming
4 - 5	Gentle simmering, slow warming
6 -7	Reheating and rapid simmering
8	Boiling, saute and searing
9	Maximum heat
P	Boost function

Cleaning tips

- Do not use abrasive pads, corrosive cleaners, aerosol cleaners or sharp objects to clean the surfaces of the hob.
- To remove burnt food, soak it off with a damp cloth and washing-up liquid.
- You may use a scraper for cleaning food or residues. Sticky foods must be cleaned immediately when they spill, before the glass has cooled down.
- Be careful not to scratch the silicon adhesive placed on the edges of the glass whilst using a scraper.
- The scraper has a razor, therefore, it must be kept away from children.
- Use special ceramic hob cleaner on the hob while it is warm to touch. Rinse and wipe dry with a clean cloth or paper towel.

INSTALLATION OF THE APPLIANCE

WARNING:

The electrical connection of this hob should be carried out by a qualified electrician, according to the instructions in this guide and in compliance with the current regulations. In the event of any damage that occurs as a result of improper connection or installation, the warranty will not be valid. This appliance must be earthed.

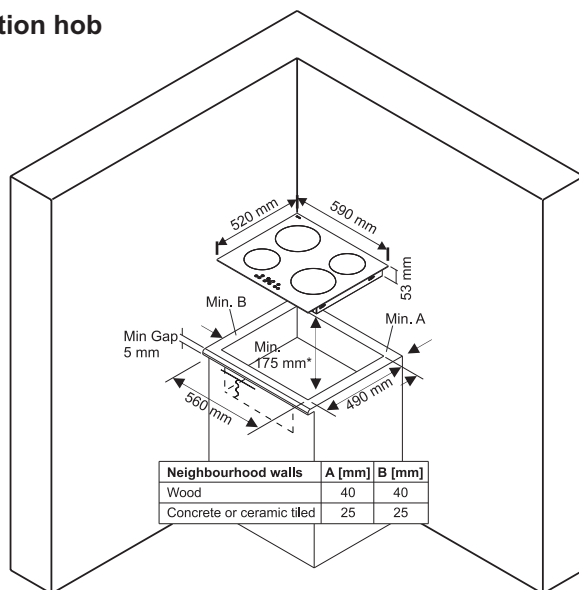
Installation safety

- Any overhanging surface should be at least 65cm above the hob.
- Extractor fans must be fitted in accordance with the manufacturer's instructions.
- The wall in contact with the rear of the hob must be made of flameproof material.
- The power cable length should not exceed 2 metres.

Fitting the hob into a work surface

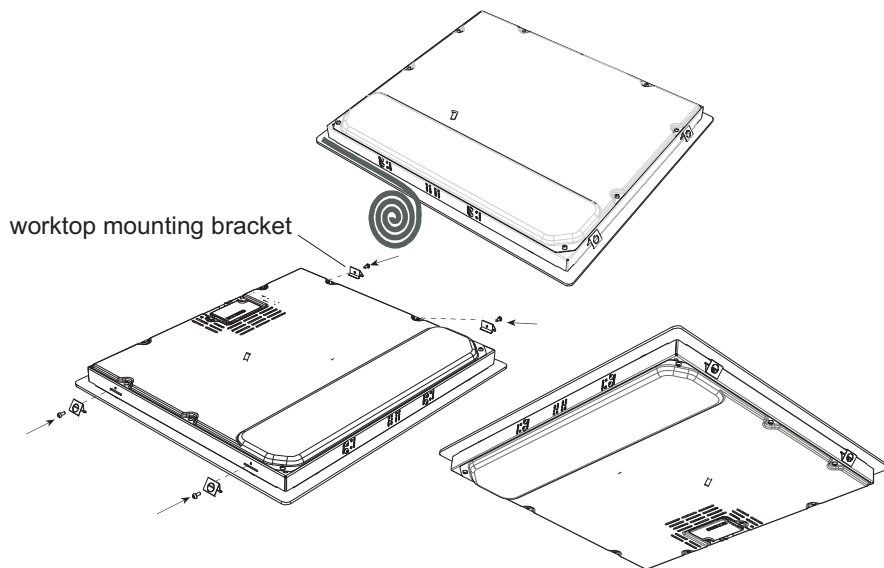
- The hob can be inserted into any worktop provided it is heat resistant up to at least 90°C.
- Create an opening with the dimensions shown in the picture below and on next page.
- Induction hob may be built in the 25 to 40 mm thick worktops.

60cm induction hob

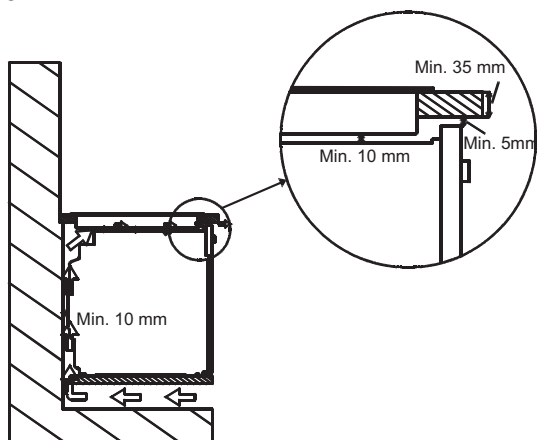


* : In the case of installation over built in oven, distance should be min. 10 mm.

Screw the 4 worktop mounting brackets on the side walls of product.



- Secure the hob in place by putting it into cutout on the work surface.
- Before inserting the oven, it is necessary to remove the rear kitchen element panel in the area of the oven opening, in order to supply cooling. Equally, the front part of the kitchen element must have an opening of no less than 5 mm.



Making an electrical connection

Before making a connection, check that:

- The mains voltage is the same as that quoted on the rating plate which is situated at the back of your hob.
- The circuit can support the appliance load (see the rating plate).
- The power supply has an earth connection, which complies with the provisions of current regulations and is in good working order.
- The fused switch is easily accessible once the hob has been installed.

If there is no dedicated hob circuit and fused switch, they must be installed by a qualified electrician before the hob is connected.

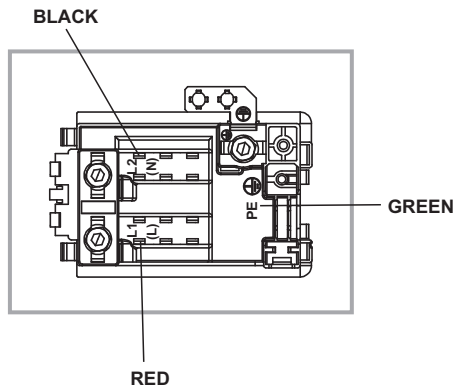
An approved suitable cable must be connected from the Consumer Unit (main fuse box) and be protected by its own 32amp fuse or Micro Circuit Breaker (MCB). The electrician must provide a fused all pole switch, which disconnects both the line (live) and neutral conductors with a contact separation of at least 3,0 mm.


The fused switch should be fitted to the kitchen wall, above the worksurface and to the side of the hob, not above it, in accordance with IEE regulations. Connect the fused switch to a junction box which should be fitted on the wall about 61cm (24 inches) above floor level and behind the hob. The hob's power supply cable can then be connected. Connect one end to the junction box and connect the other end to the hob's power connection box which is located at the back of the hob. Remove the cover of the power connection box and install the cable, in accordance with the connection diagram.

WIRING AND SAFETY OF BUILT-IN OVEN

- The instructions given below must be followed without fail during wiring :
- The earthing cable must be connected via the screw with the earthing mark. Supply cable connection must be as shown in Figure 1. If there is no earthed outlet conforming to regulations in the installation environment, call the Authorized Service immediately.
- The earthed outlet must be in close vicinity of the appliance. Never use an extension cord. The supply cable should not contact the product's hot surface.
- In case of any damage to the supply cable, make sure to call the Authorized Service. The cable must be replaced by the Authorized Service.
- Faulty wiring may damage the appliance. Such damage will not be covered under the warranty.
- The Importer declares that it bears no responsibility whatsoever for any kind of damage and loss arising from non compliance with safety requirements!

Wiring of the appliance must be performed by an Authorized Service Technician. The appliance is designed to connect to 208-240V~ electricity. If the mains electricity is different than the value given, call the Authorized Service immediately. The appliance is designed for fixed connection to the mains. It is necessary that you install a double pole switch between the product and the electricity supply (mains), with a minimum gap of 3 mm between the switch contacts. (32Arated, delay function type).





The power supply cable must be positioned away from direct heat sources. It should not be subjected to a temperature rise of more than 50°C above room temperature.



This appliance conforms with the following EU Directives:



- 2006/95/EC Low Voltage Directive
- 2004/108/EC EMC Directive
- 93/68/EEC CE Marking Directive


ERROR CODES

If there is an error, error code will be showed at heater displays.

E1 : Cooling Fan is disabled, call authorized service agents.

E3 : Supply coltage is over than rated values, turn the hob off by touching  wait until "H" disappears for all zones, turn the hob on by touching  and continue to use. If same error is seems again, call authorized service agents.

E4: Supply frequency is different from rated values, turn the hob off by touching  and countinue to use. If same error is seem again, plug off/on turn the hob on by touching  continue to see it. if same error is still seem call authorized service agents. continue to use. If same error is seem again, call authorized service agents.

E5: Hob inside temperature is too high, turn the hob off by touching  let heaters cool down.

E6: Communication error between touch control and heater, call authorized service agents.

E7: Coil temperature sensor is disabled, call authorized service agents.

E8: Cooler temperature sensor is disabled, call authorized service agents.

E9: Calibration error, call authorized service agents.



The symbol on the product or on its packaging indicates that this product may not be treated as household waste. Instead it shall be handed over to the applicable collection point for the recycling of electrical and electronic equipment. By ensuring this product is disposed of correctly, you will help prevent potential negative consequences for the environment and human health, which could otherwise be caused by inappropriate waste handling of this product. For more detailed information about recycling of this product, please contact your local city office, your household waste disposal service or the shop where you purchased the product.

Porter&Charles

CI60V



PLAQUE À INDUCTION

MANUEL D'INSTALLATION ET D'UTILISATION

Chère cliente, cher client,

Notre but est de vous proposer des produits de qualité qui répondent à votre attente, fabriqués dans des usines modernes, où chaque produit a subi des tests de qualité.

Cette notice contient toutes les informations nécessaires pour l'installation et l'utilisation de votre nouvelle plaque de cuisson.

Avant de commencer à utiliser votre nouvelle plaque de cuisson, nous vous suggérons de lire attentivement cette notice, car elle contient tous les renseignements de base pour une installation correcte et fiable, une bonne utilisation et un entretien régulier de votre plaque de cuisson. Cette plaque doit être installée uniquement par un professionnel qualifié conformément aux normes de sécurité et aux lois en vigueur. N'essayez jamais de réparer votre appareil vous-même.

Déclaration de conformité CE

Cette plaque est destinée uniquement à un usage domestique à l'intérieur d'une habitation (excluant les utilisations professionnelles). Toute autre utilisation (le chauffage d'une pièce par exemple) est considérée comme inappropriée et dangereuse.

Cette plaque a été conçue, construite, et commercialisée conformément aux :

Consignes de sécurité de la directive 2009/142/CE portant sur le « gaz » ;

Consignes de sécurité de la directive 2006/95/CE portant sur la « basse tension » ;

Consignes de sécurité de la directive 2004/108/CE portant sur l' « EMC » ;

Consignes relatives à la directive 93/68/CE.

TABLE DES MATIÈRES

Consignes de sécurité

Description de la plaque

Surface de cuisson et panneau de commandes

Fonctionnement de la plaque

Mettre en marche la plaque

Allumer et éteindre les zones Arrêter le fonctionnement de la plaque de cuisson

Indicateur de chaleur résiduelle

Pause intelligente

Fonction d'arrêt de sécurité

Verrouillage enfants

Verrouillage des touches

Bip sonore

Fonction Booster

Conseils et astuces

Installation de l'appareil

Sécurité pendant l'installation

Fixation de la plaque dans un plan de travail

Branchement électrique

Schéma bornier de connexion

CONSIGNES DE SÉCURITÉ

LISEZ ATTENTIVEMENT ET ENTIÈREMENT CETTE NOTICE AVANT D'UTILISER VOTRE APPAREIL DE CUISSON, ET CONSERVEZ-LA AFIN DE POUVOIR LA CONSULTER LORSQUE CE SERA NÉCESSAIRE.

Cette notice est conçue pour plusieurs modèles. Votre appareil de cuisson n'est peut-être pas équipé de toutes les caractéristiques décrites dans cette notice. Veuillez contrôler dans la notice les caractéristiques dans les paragraphes comportant des images.

Consignes de sécurité générales

- La fabrication de votre appareil de cuisson respecte toutes les normes et réglementations nationales et internationales en vigueur en la matière.
- Les travaux de maintenance et d'entretien doivent être effectués exclusivement par des techniciens qualifiés. Les travaux de réparation et d'entretien effectués par des personnes non-qualifiées vous exposent à des dangers. Ne modifiez pas les spécifications de votre appareil de cuisson de quelque manière que ce soit. N'effectuez pas vous-mêmes les réparations au risque de vous exposer à un danger comme une électrocution.
- Avant l'installation, assurez-vous que les conditions de distribution locale (selon votre appareil : nature et pression du gaz, tension et fréquence de l'électricité) sont compatibles avec les caractéristiques indiquées sur la plaque signalétique de votre appareil de cuisson. En cas de dommage provoqué par un branchement ou une installation inadaptée, la garantie ne sera pas valide.
- Pour les appareils électriques : La sécurité électrique de votre appareil de cuisson n'est garantie que s'il est branché à une alimentation électrique avec terre, conforme aux normes de sécurité électrique en vigueur. Si vous n'êtes pas sûr de votre installation électrique avec terre, consultez un électricien qualifié.
- **ATTENTION:** Votre appareil de cuisson est conçu uniquement pour la cuisson des aliments et il est prévu uniquement pour un usage domestique. Il ne doit absolument pas être utilisé à d'autres fins, par exemple, dans un environnement commercial ou pour le réchauffage d'une salle. La responsabilité du fabricant ne saurait être engagée en cas de dommages liés à une utilisation inappropriée, incorrecte, ou négligente

• Cet appareil de cuisson ne doit pas être utilisé par des enfants de moins de 8 ans, ou par des personnes dont les capacités physiques, sensorielles ou mentales sont limitées, ou manquant d'expérience ou de connaissances requises, les empêchant d'utiliser cet appareil de cuisson sans risque lorsqu'ils sont sans surveillance ou en l'absence d'instructions d'une personne responsable leur assurant une utilisation de l'appareil de cuisson sans danger, après une explication des risques auxquels ils s'exposent. Les enfants ne doivent pas jouer avec l'appareil de cuisson. Les opérations de nettoyage et d'entretien effectués par des enfants doivent se faire sous la supervision d'une personne responsable.

- N'essayez pas de soulever ou de déplacer l'appareil de cuisson en tirant sur la poignée du four.
- Cet appareil de cuisson n'est pas connecté à un dispositif de évacuation des produits de la combustion. Il doit être installé et raccordé conformément aux règles d'installation en vigueur. Une attention particulière doit être accordée aux exigences concernant la ventilation
- Si au bout de 15 secondes le brûleur gaz ne s'est pas allumé, fermez la manette du brûleur concerné, ouvrez la porte de la cuisine et attendez au moins une minute avant d'essayer de le rallumer à nouveau.
- Ces instructions ne sont valides que si le symbole du pays est sur votre appareil de cuisson. Si le symbole du pays n'est pas sur votre appareil de cuisson, il importe de se référer aux instructions techniques fournissant les informations nécessaires relatives aux conditions d'utilisation particulières.

• **MISE EN GARDE** : L'appareil et ses parties accessibles peuvent devenir très chauds durant l'utilisation. Attention à ne pas toucher les éléments chauffants. Les enfants de moins de 8 ans doivent être maintenus à l'écart sauf s'ils sont constamment supervisés. **AVERTISSEMENT**: Pendant l'utilisation,

tous les éléments accessibles de votre appareil de cuisson deviennent chauds, et gardent pendant un certain temps leur température élevée, même quand l'appareil de cuisson est arrêté. Ne touchez pas les surfaces chaudes (manettes et poignée du four comprise) et empêchez les enfants de moins de 8 ans d'approcher de l'appareil de cuisson. Il est recommandé de laisser refroidir les parties directement exposées à la chaleur avant de les toucher.

. **AVERTISSEMENT:** Ne laissez pas votre appareil de cuisson sans surveillance lorsque vous faites cuire des matières grasses liquides ou solides, des huiles liquides ou solides. Portées à très haute température, ces matières peuvent prendre feu et engendrer un incendie. N'ESSAYEZ jamais d'éteindre avec de l'eau des flammes provenant d'huile en feu, mais éteignez votre appareil de cuisson et couvrez la casserole ou la poêle avec un couvercle, afin d'étouffer la flamme. Si vous avez une hotte, ne jamais la mettre en route sans surveillance quand vous faites chauffer de l'huile. Ne laissez pas de matière inflammable près de votre appareil de cuisson lorsqu'il fonctionne.

. **MISE EN GARDE:** Danger de feu: Ne jamais placer d'objets sur la plaque de cuisson.

. **AVERTISSEMENT:** Risque d'incendie: Ne rangez pas d'objets sur les surfaces de cuisson et ne rangez aucun contenant pressurisé tel que les aérosols, les matériaux inflammables (objets en papier, en plastique et en tissu), dans le tiroir placé sous le four ou sous la plaque de cuisson. Les ustensiles de cuisine en plastique en font également partie (ainsi que les manches d'ustensiles).

- . **MISE EN GARDE:** Si la surface est fêlée, déconnecter l'appareil de l'alimentation pour éviter un risque de choc électrique.
- . **AVERTISSEMENT:** Si votre appareil de cuisson est équipé d'un plan de cuisson en verre (vitro ou induction) et si la surface est fissurée, mettez les manettes sur "0" pour éviter un éventuel choc électrique. De même, si des fissures apparaissent sur les plaques électriques, il est impératif d'arrêter immédiatement l'alimentation électrique afin de prévenir toute électrocution. Il est recommandé de ne pas déposer d'objets métalliques tels que couteaux, fourchettes, cuillères et couvercles sur le plan de cuisson, car ils peuvent devenir chauds.
- . Après utilisation, arrêter le fonctionnement de la table de cuisson au moyen de son dispositif de commande et ne pas compter sur le détecteur de casseroles.
- . Il convient d'enlever du couvercle tout résidu de débordement avant de l'ouvrir. Si votre appareil de cuisson est équipé d'un couvercle, ce couvercle doit être soulevé avant la mise en fonction des zones de cuisson. Avant de refermer le couvercle, il faut s'assurer que l'appareil de cuisson a bien refroidi. Les couvercles en verre peuvent se casser lorsqu'ils sont chauffés. Éteignez tous les brûleurs avant de fermer le couvercle.
- . Cet appareil n'est pas destiné à être mis en fonctionnement au moyen d'une minuterie extérieure ou par un système de commande à distance séparé. Votre appareil de cuisson ne doit jamais être

branché sur une rallonge, sur une minuterie extérieure, une prise triplite ou un système de commande à distance séparée ou tout autre dispositif qui mettrait l'appareil sous tension automatiquement.

. Pour empêcher le basculement de votre appareil de cuisson, des fixations de stabilisation doivent être installés. Si votre appareil de cuisson est installé sur un socle, prenez les précautions nécessaires pour qu'il ne tombe pas. **MISE EN GARDE:** Ce dispositif de stabilisation doit être mis en place pour éviter le basculement de l'appareil (voir explications dans la notice).

. Lors de son utilisation, l'appareil devient chaud. Faire attention de ne pas toucher les éléments chauffants situés à l'intérieur du four. Quand le four fonctionne, il ne faut absolument pas toucher les éléments chauffants (résistances) du four, car il y a un risque très important de brûlure.

• Faites attention que les poignées de casseroles soient disposées vers l'intérieur du plan de cuisson, de façon à prévenir les chutes éventuelles. Les poignées des casseroles peuvent devenir chaudes, attention aux enfants.

• Faites attention aux poignées de la porte du four et aux manettes de commande des zones de cuisson qui peuvent devenir chaudes lors de l'utilisation de votre appareil de cuisson et pendant un certain temps après son utilisation.

. N'utilisez pas des produits de nettoyage abrasifs, des crèmes caustiques, des éponges abrasives ou des grattoirs métalliques pour nettoyer tous les éléments de votre appareil de cuisson (verre, émail, inox, plastique et peinture), car cela rayerait les surfaces, et pourrait entraîner l'éclatement des

surfaces en verre ou la destruction des autres éléments de votre appareil de cuisson. Ne pas utiliser de produits d'entretien abrasifs ou de grattoirs métalliques durs pour nettoyer la porte en verre du four, ce qui pourrait érafler la surface et entraîner l'éclatement du verre.

- N'utilisez pas de nettoyeurs à vapeur pour nettoyer votre appareil de cuisson.
- Toutes les mesures de sécurité possibles ont été prises pour garantir votre sécurité. Pour éviter de casser les éléments en verre, vous devez faire attention de ne pas les rayer pendant le nettoyage. Évitez aussi de taper ces surfaces en verre ou de laisser tomber des accessoires dessus, et de monter sur le verre (dans le cas d'un travail au-dessus de votre appareil de cuisson).

.MISE EN GARDE: S'assurer que l'appareil est déconnecté de l'alimentation avant de remplacer la lampe pour éviter tout risque de choc électrique.

.MISE EN GARDE: Les parties accessibles peuvent devenir chaudes au cours de l'utilisation.

• Il est recommandé d'éloigner les jeunes enfants.

• Lors des nettoyages pyrolytiques, les grilles de four, les étagères et les grilles, ou tout autre accessoire doivent être enlevés avant le cycle pyrolyse. Les éclaboussures excessives doivent également être nettoyées avant le cycle pyrolyse.

• Utiliser uniquement la sonde thermique recommandée pour ce four. (option sonde pour viande, si votre appareil en est équipé)

• Ne faites aucune pression sur le fil électrique (si équipé) lors de l'installation de votre appareil de cuisson. Assurez-vous aussi que la câble n'est pas coincé derrière votre appareil de cuisson. Si le

CONSIGNES DE SÉCURITÉ

câble d'alimentation est endommagé, il doit être remplacé par un câble présentant les mêmes caractéristiques que celui d'origine, et ceci par un technicien qualifié afin d'écarter tout danger.

- Lorsque la porte du four ou le tiroir sous-four est ouvert, ne rien poser dessus et ne laissez pas les enfants grimper sur la porte ou s'y asseoir. Cela pourrait déséquilibrer votre appareil de cuisson et casser certaines parties (d'où la nécessité de mettre en place les fixations anti-basculement).
En cas d'utilisation d'appareils électriques à proximité de votre appareil de cuisson, faites attention que le câble d'alimentation de ces appareils ne soit pas en contact avec la surface chaude de votre appareil de cuisson.

Avertissements d'installation

- N'utilisez votre appareil de cuisson que lorsque l'installation est terminée.
- Votre appareil de cuisson doit être installé et mis en service par un technicien qualifié. Le fabricant décline sa responsabilité pour tout dommage résultant d'un mauvais emplacement ou de l'installation de votre appareil de cuisson par un technicien non qualifié.
- Après avoir déballé votre appareil de cuisson, vérifiez soigneusement si celui-ci n'a pas été endommagé pendant le transport. En cas de dommage, ne l'utilisez pas et contactez immédiatement votre Revendeur. Etant donné que les matériaux d'emballage (polystyrène, nylon, agrafes, etc...) peuvent être dangereux pour les enfants, veuillez les rassembler et les éliminer immédiatement (mettez-les dans les conteneurs spécifiques pour le recyclage)
- Protégez votre appareil de cuisson contre les effets atmosphériques. Ne l'exposez pas au soleil, à la pluie, la neige, la poudre, etc.
- Les matériaux entourant l'appareil (meubles) doivent être capables de supporter une température minimale de 100°C.
- Les conditions d'ajustement au gaz de votre appareil de cuisson sont indiquées sur une étiquette collée à l'arrière (Uniquement pour les appareils de cuisson gaz et mixtes).
Si vous utilisez votre appareil de cuisson avec du gaz en bouteille propane, la bouteille doit être obligatoirement installée à l'extérieur de la maison (uniquement pour les appareils de cuisson gaz).
Nous vous conseillons d'avoir un détecteur de fumée installé chez vous, et une couverture anti-feu ou un extincteur tout près de votre appareil de cuisson

Lors de l'utilisation

- Lors de la première mise en marche de votre appareil de cuisson (au niveau du four), il se produira une certaine odeur caractéristique des matériaux d'isolation et des éléments chauffants. Pour cette raison, avant d'utiliser votre four, faites-le fonctionner à vide à sa température maximale pendant 45 minutes. Vous devez également vous assurer que la pièce dans laquelle est installé votre appareil de cuisson est bien ventilée.
- Au cours de l'utilisation du four, les surfaces internes et externes du four deviennent chaudes. Au moment de l'ouverture de la porte du four, mettez-vous en retrait pour éviter de vous brûler avec la vapeur très chaude qui va alors se dégager du four : il peut y avoir des risques de brûlures.
- Ne placez pas de matériaux inflammables ou combustibles à proximité de votre appareil de cuisson pendant son fonctionnement.
- Toujours utiliser des gants de cuisine pour mettre ou retirer les plats de cuisson du four.
- Ne laissez pas votre appareil de cuisson sans surveillance lorsque vous faites cuire des matières grasses liquides ou solides, des huiles liquides ou solides. Portées à très haute température, ces matières peuvent prendre feu et engendrer un incendie. N'ESSAYEZ jamais d'éteindre avec de l'eau des flammes provenant d'huile en feu, mais éteignez votre appareil de cuisson et couvrez la casserole ou la poêle avec un couvercle, afin d'étouffer la flamme. Si vous avez une hotte, ne jamais la mettre en route sans surveillance quand vous faites chauffer de l'huile. Ne laissez pas de matière inflammable près de votre appareil de cuisson lorsqu'il fonctionne.
- Toujours poser les ustensiles de cuisson au centre de la zone de cuisson et positionner les poignées de telle sorte qu'elles ne puissent pas gêner ou être attrapées par un enfant.
- N'utilisez pas les zones de cuisson avec des casseroles vides ou sans casseroles.
- Sur les plaques électriques, utilisez uniquement des ustensiles à fond plat.
Sur les dessus vitro et inductions, ne coupez pas du pain sur le verre. Le plan de travail en verre ne doit pas être utilisé comme surface de travail. Faites attention de ne pas poser sur la dessus des récipients qui pourraient abîmer le verre. Des récipients ayant des bords tranchants peuvent rayer la surface du dessus et l'endommager. Un conseil, essayez systématiquement le dessous des casseroles avec un chiffon avant de les poser sur la surface en verre, ceci afin d'enlever des microparticules sous le récipient, qui risqueraient de rayer le verre.

CONSIGNES DE SÉCURITÉ

Sur les dessus vitro, utilisez uniquement des ustensiles à fond plat.

- Sur les dessus induction, utilisez uniquement des ustensiles à fond plat spécifiques pour l'induction (indiqué sous l'ustensile par le Fabricant).
- Il est possible que vous entendiez un petit bruit à la mise en marche d'une zone de cuisson.
- Les utilisateurs qui utilisent un pacemaker implanté, doivent tenir la partie supérieure de leur corps à au moins 30 cm des zones de cuisson à induction allumées.
- Si vous n'avez pas l'intention d'utiliser votre appareil de cuisson pendant une longue période, nous vous conseillons de le débrancher électriquement. Veillez aussi fermer en même temps le robinet de gaz (pour les appareils de cuisson à gaz) lorsque vous n'utilisez pas l'appareil.
- Si vous ne vous servez pas pendant un certain temps des vos plaques électriques, il sera nécessaire de mettre un peu d'huile dessus afin d'éviter qu'elles ne rouillent (plaque en fonte).
- Assurez-vous toujours que les manettes de commande de votre appareil de cuisson sont toujours à la position « 0 » lorsque votre appareil de cuisson n'est pas utilisé.

Il convient d'enlever du couvercle tout résidu de débordement avant de l'ouvrir. Il convient de laisser refroidir le plan de cuisson avant de fermer le couvercle. Positionnez bien les grilles du four dans les glissières latérales prévues à cet effet, sinon quand vous tirerez sur les grilles, elles pourront s'incliner, et le liquide chaud contenu dans les ustensiles de cuisson pourrait couler ou vous brûler.

• Certains appareils de cuisson avec four électrique sont équipés d'un ventilateur tangentiel. Ce ventilateur fonctionne pendant la cuisson. L'air est expulsé à travers des orifices entre la porte du four et le bandeau de commande. Le ventilateur peut continuer à fonctionner après l'arrêt du four pour aider les commandes à refroidir : ne vous inquiétez pas.

• **ATTENTION:** L'utilisation d'un appareil de cuisson à gaz produit de la chaleur, de l'humidité, des odeurs et des produits de la combustion gaz dans la pièce au sein de laquelle est installée votre appareil de cuisson. Assurez-vous que la cuisine est bien ventilée lorsque l'appareil de cuisson fonctionne, laissez les ouvertures ouvertes ou bien installez un dispositif de ventilation mécanique (genre hotte aspirante mécanique. Pour les appareils de cuisson avec énergie électrique, la cuisson produira aussi de l'humidité et des odeurs. Il sera nécessaire d'installer aussi un dispositif de ventilation mécanique

CONSIGNES DE SÉCURITÉ

- Une utilisation prolongée de votre appareil de cuisson peut nécessiter une aération supplémentaire, à titre d'exemple l'ouverture d'une fenêtre ou l'augmentation du niveau de la ventilation mécanique si installée.
- Si vous utilisez le grill gaz (suivant modèle), il est impératif de laisser la porte ouverte, et de mettre en place la tôle de protection (pour le bandeau et les manettes) fournie avec votre appareil de cuisson. Ne jamais utiliser le grill gaz lorsque la porte du four est fermée (pour les appareils de cuisson gaz avec grill gaz).
- Si vous utilisez le grill électrique (suivant modèle), la porte du four devra être fermée (pour les appareils de cuisson avec four électrique).

ATTENTION: Les couvercles en verre peuvent se briser sous l'effet de la chaleur. Avant de refermer le couvercle, fermez tous les brûleurs ou zones de cuisson et laissez la surface du plan de cuisson refroidir



- Lorsque la porte du four ou le tiroir sous-four est ouvert, ne rien poser dessus et ne laissez pas les enfants grimper sur la porte ou s'y asseoir. Cela pourrait déséquilibrer votre appareil de cuisson et casser le couvercle (d'où la nécessité de mettre en place les fixations anti-basculement).
- Ne rangez aucun objets lourds ou inflammables (nylon, sac en plastique, papier, habit...) dans le tiroir placé sous le four. Les ustensiles de cuisine en plastique en font également partie (ainsi que les manches d'ustensiles).
- Ne séchez pas de serviettes, éponges ou vêtements dans ou sur votre appareil de cuisson ainsi que sur la poignée du four.

Pendant le nettoyage et l'entretien

- Arrêtez toujours le fonctionnement de votre appareil de cuisson avant le nettoyage ou l'entretien, en le débranchant, ou en éteignant l'interrupteur principal. Ne retirez jamais les boutons de commande pour nettoyer le panneau de commande.
- N'utilisez jamais de nettoyeur vapeur pour nettoyer les éléments de votre appareil de cuisson.

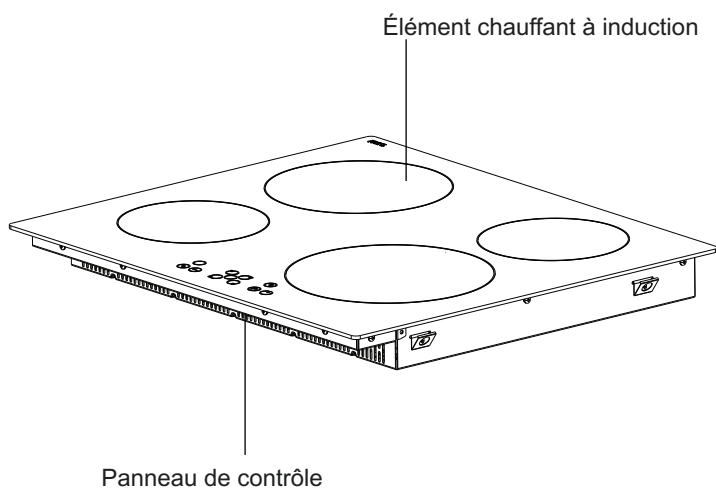
DANS L'OPTIQUE DE MAINTENIR L'EFFICACITE ET GARANTIR LA SECURITE DE VOTRE APPAREIL, NOUS VOUS RECOMMANDONS DE TOUJOURS UTILISER LES PIECES D'ORIGINE ET D'APPELER NOS REPRESENTANTS EN CAS DE BESOIN.

DESCRIPTION DE L'APPAREIL

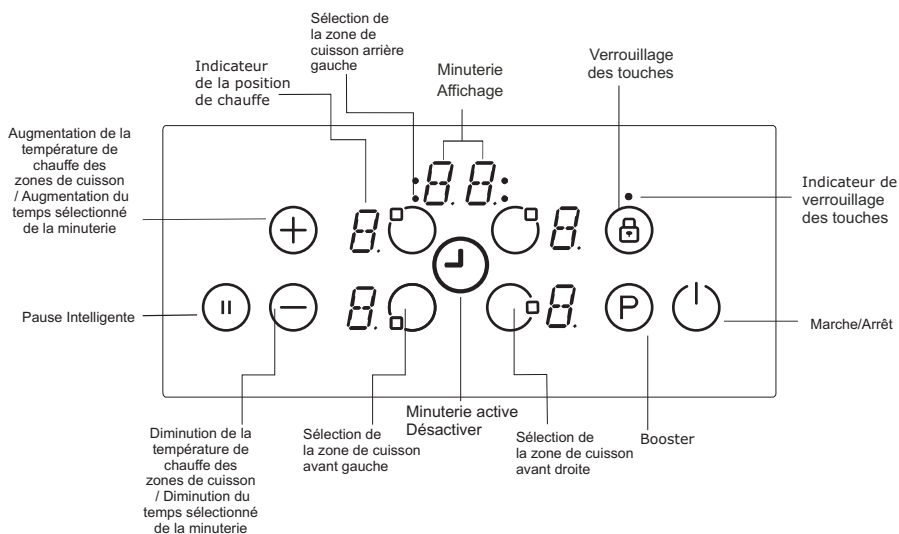
Chère cliente, cher client,

Veillez lire les consignes de cette notice d'utilisation avant d'utiliser votre plaque et conservez-les car vous pouvez en avoir besoin ultérieurement.

Plaque avec 4 zones de cuisson :



Panneau de commande pour 4 zones de cuisson :




FONCTIONNEMENT DE LA PLAQUE



La plaque est commandée par des capteurs électroniques qui fonctionnent lorsqu'on appuie sur les touches. L'activation de chaque capteur touche est suivie d'un bip.

IMPORTANT : Chaque contact sur les commandes de la plaque doit être au minimum de 2 secondes.

Mettre en marche la plaque :



Pour mettre la plaque en marche, appuyez sur la touche () MARCHE/ARRET. Tous les indicateurs affichent un "0" statique et les points inférieurs droits de chaque "0" clignotent. (Si aucune zone de cuisson n'est sélectionnée dans un intervalle de 20 secondes, la plaque se désactivera automatiquement.)

Arrêter le fonctionnement la plaque :

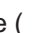


Arrêtez le fonctionnement de la plaque à tout moment en appuyant sur (). La touche MARCHE/ARRET () est toujours prioritaire dans la fonction d'arrêt.

Allumer les zones de cuisson :

Après avoir mis en marche la plaque, appuyez aussitôt sur la touche de sélection de la zone de cuisson sur laquelle vous souhaitez faire la cuisson. Le point clignotant de l'indicateur "0" (zone sélectionnée) devient statique, et tous les autres points clignotants des autres zones s'éteignent.

Sélectionnez une puissance de la zone de cuisson en utilisant la touche () (augmentation de la température de chauffe) ou la touche () (diminution de la température de chauffe) La zone de cuisson peut maintenant être utilisé. Pour faire bouillir l'eau le plus rapidement possible, sélectionnez le niveau de cuisson souhaité avant d'appuyer sur la touche P pour activer la fonction Booster.

Éteindre les zones de cuisson :

Sélectionnez d'abord la zone que vous souhaitez éteindre en appuyant sur la touche de sélection de la zone de cuisson. Ensuite, utilisez la touche (), et réduisez la puissance à "0". (Pour mettre la puissance à sur "0", vous pouvez aussi utiliser les touches () et () simultanément)

Si la zone de cuisson est chaude, "H" s'affichera à la place de "0".

Indicateur de chaleur résiduelle :

L'Indicateur de chaleur résiduelle indique que la température est encore élevée sur et autour de la zone de cuisson. Faites attention de ne pas toucher la plaque de cuisson encore chaude pour éviter tout risque de brûlure.

Après avoir arrêté la zone de cuisson, l'indicateur de cette zone de cuisson affichera "H" jusqu'à ce que la température de sécurité de cette zone soit atteinte. Sur et autour de la zone de cuisson. Faites attention de ne pas toucher la plaque de cuisson encore chaude pour éviter tout risque de brûlure.

Après avoir mis la zone de cuisson hors service, l'écran respectif affiche "H" j

Pause Intelligente :

Lorsqu'elle est activée, la pause intelligente réduit la puissance de toutes les zones qui ont été allumées.

Les zones de cuisson reviennent automatiquement au niveau précédent lorsque vous la désactivez.

La table de cuisson s'éteint au bout de 30 minutes si la pause intelligente n'est pas désactivée.

Appuyez sur (ⓘ) pour activer Pause. La puissance du foyer activé sera réduite au niveau 1 et (II) apparaîtra à tous les écrans.

Appuyez sur (ⓘ) de nouveau pour désactiver Pause; "II" va disparaître et les zones de cuisson vont fonctionner de nouveau au niveau précédemment défini.

Fonction d'arrêt de sécurité :

Chaque zone de cuisson sera mise hors service après une durée de fonctionnement maximum si le réglage de la puissance de chauffe n'a pas été modifié. Chaque changement intervenu au niveau de la zone de cuisson modifiera la durée maximale de fonctionnement suivant le tableau ci-dessous. La durée maximale de fonctionnement dépend du niveau de puissance sélectionné.

Niveau de température sélectionné	Arrêt de sécurité après
1 - 2	6 heures
3 - 4	5 heures
5	4 heures
6 - 9	1,5 heures

Verrouillage Enfants:


Pour activer le verrouillage enfants, mettre la table sous tension. Appuyer simultanément sur (⊕) et (⊖) puis au bip sur (⊕) = le symbole "L" va s'afficher.

Pour désactiver temporairement le verrouillage enfants, mettre la table sous tension, puis appuyer simultanément sur (⊕) et (⊖) et sélectionner une zone de cuisson.

Pour désactiver le verrouillage enfants, mettre la table sous tension, appuyer simultanément sur (⊕) et (⊖) puis au bip sur (⊖) = le symbole "L" disparaît.

Verrouillage des Touches

Cette fonction vous permet de verrouiller le réglage des zones de cuisson pendant le fonctionnement de la plaque. Une fois cette fonction activée, il n'est plus possible d'augmenter ou de diminuer la puissance de chauffe. La seule touche qui peut être activée est la touche « Arrêt ».

Pour activer cette fonction, appuyez sur la touche  pendant au moins 2 secondes, jusqu'à l'activation d'un signal sonore. L'indicateur de verrouillage clignote et la zone de cuisson est alors verrouillée sur la position choisie.

Bip sonore :

Pendant le fonctionnement de la plaque, les manipulations ci-après seront signalées au moyen d'un bip sonore:

L'activation normale de la touche sera signalée par un bref bip sonore

Le fonctionnement ininterrompu des touches pendant une longue période de temps (10 secondes environ) sera signalé par un bip sonore long et intermittent.

Fonction (« Booster ») :

La fonction booster augmente la puissance de la zone de cuisson sélectionnée. Le booster est conçu par exemple pour faire chauffer rapidement de grandes quantités d'eau, comme pour la cuisson des pâtes.

La durée d'activation du booster varie en fonction de la position initiale. Au bout d'un certain temps, le niveau de cuisson reviendra automatiquement à sa position initiale.

Par exemple, si vous activez la fonction booster sur la position 1 : le booster fonctionnera pendant 1 minute puis la plaque reviendra automatiquement à la position 1.

Si vous activez la fonction booster sur la position 2 : le booster fonctionnera pendant 2 minutes puis la plaque reviendra automatiquement à la position 2.

Ci-dessous le détail pour chaque position :

Position 1 : activation du booster pendant 1 minute

Position 2 : activation du booster pendant 2 minutes

Position 3 : activation du booster pendant 3 minutes

Position 4 : activation du booster pendant 4 minutes

Position 5 : activation du booster pendant 5 minutes

Position 6 : activation du booster pendant 6 minutes

Position 7 : activation du booster pendant 7 minutes

Position 8 et 9 : activation du booster pendant 8 minutes

L'ensemble de la table de cuisson est doté d'une puissance maximale. Lorsque la fonction booster est activée, et pour ne pas excéder cette puissance maximale, la commande électronique réduit automatiquement le niveau de cuisson d'une autre zone de en fonction.

La réduction du niveau de cuisson est signalé par un clignotement de la zone de cuisson correspondante. Le clignotement reste actif pendant 3 secondes et indiquant une modification des réglages avant la réduction de la puissance.

La fonction booster n'est pas disponible sur tous les modèles (optionnelle). Vérifiez que votre plaque de cuisson en est équipée.

Pour activer la fonction 'booster' : Sélectionnez une zone de cuisson. Réglez la zone de cuisson sur la position souhaitée, puis appuyez sur la touche P (Booster). La plaque se met alors à chauffer plus fortement.

Minuterie de la zone de cuisson (1à.99 min):

Lorsque la plaque est en marche, une minuterie indépendante peut être programmée pour chaque zone de cuisson.

Sélectionnez une zone de cuisson, puis sélectionnez le réglage de température. Enfin, activez la touche de réglage de la minuterie (); la minuterie peut être programmée pour arrêter la zone de cuisson. Il y a 4 voyants disposées autour de la minuterie. Chaque voyants indique commandée par la minuterie.

En cas de programmation de plusieurs zones de cuisson, 10 secondes après la dernière opération, l'écran de la minuterie affichera la durée de la première zone de cuisson qui sera arrêtée.

Lorsque la de fin de la minuterie est atteinte, vous entendrez un bip sonore et l'écran de la minuterie affichera '00'. Dès cet instant, le voyant de la minuterie de la zone de cuisson assignée clignote. La zone de cuisson programmée sera éteinte et la lettre « H » s'affichera si la zone de cuisson est chaude.

Le signal sonore et le voyant clignotant de la minuterie s'arrêteront automatiquement après 2 minutes ou aussitôt si vous appuyez sur n'importe quelle touche.

CONSEILS ET ASTUCES

Récipients

Veillez à toujours utiliser des récipients adaptés à la technologie induction (ni verre, ni terre cuite, ni cuivre, ni aluminium sans fond spécial, ni inox non magnétique).

Utilisez des récipients à fond épais, plat, et lisse ayant le même diamètre que celui de la zone de cuisson. Cette précaution favorise une réduction des durées de cuisson.

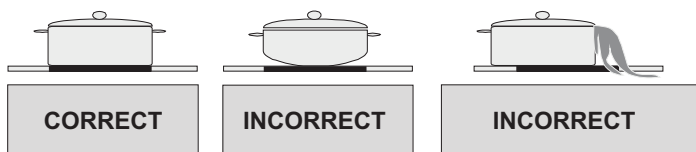
Pour des résultats optimums, utilisez des ustensiles en acier, en fonte, en fer, et en acier inoxydable (si indiqué par le fabricant).

Les récipients avec fond en acier émaillé, en aluminium ou en cuivre peuvent amener le résidu métallique à rester sur la plaque. Si cette situation se produit, ces dépôts peuvent s'avérer difficiles à enlever. Nettoyez la plaque de cuisson après chaque utilisation.

Pour vérifier si un récipient convient pour une cuisson à induction, assurez-vous qu'un aimant colle sur le fond.

Disposez les récipients au centre de la zone de cuisson. Si le récipient est mal placé, **E** s'affiche.

Au moment d'utiliser certains récipients, ces derniers vous pouvez entendre divers bruits. Ce phénomène est dû à la conception des récipients et n'ont aucun effet sur les performances ou la sécurité de la plaque.



Économie d'énergie

Les zones de cuisson à induction s'adaptent automatiquement à la taille du fond du récipient. Le récipient doit avoir un diamètre minimal pour pouvoir être détecté sur la zone de cuisson.

Mettez le récipient sur la zone de cuisson avant de la mettre en service.

Si vous mettez la zone de cuisson en service avant d'y poser le récipient, celle-ci ne fonctionnera pas.

L'utilisation d'un couvercle réduira la durée de cuisson.

Réduire le réglage de la température lorsque le liquide commence à bouillir.

Réduire la quantité de liquide pour réduire le temps de cuisson.

Sélectionnez le réglage de température approprié pour les applications de cuisson.

Quelques exemples d'applications de cuisson

Les informations présentées dans le tableau suivant sont données à titre indicatif uniquement.

Réglages	Utilisation
0	Arrêt de la cuisson
1 - 3	Chauffage délicat
4 - 5	Cuisson à feu doux, chauffage lent
6 - 7	Réchauffage et cuisson rapide
8	Bouillir, sauter
9	Chaleur maximale
P	Fonction d'activation

Conseils relatifs au nettoyage

Ne jamais utiliser des tampons abrasifs, des agents de nettoyage corrosifs, des nettoyeurs en aérosol, ou des objets pointus pour nettoyer les surfaces de la plaque.

Pour éliminer les aliments brûlés, mouillez-les à l'aide d'un chiffon humide et essuyez ensuite le liquide.

Vous pouvez choisir d'utiliser une spatule adaptée pour le nettoyage des aliments ou des résidus. Les aliments collants doivent être nettoyés immédiatement lorsqu'ils se déversent, avant le refroidissement du verre.

Faites attention à ne pas rayer l'adhésif en silicone situé sur les rebords du verre lorsque vous utilisez une spatule.

La spatule doit être conservée loin de la vue et de la portée des enfants. Utilisez un agent de nettoyage vitrocéramique adapté pour les plaques à induction.

Rincez et séchez à l'aide d'un tissu propre ou d'un essuie-tout.

INSTALLATION DE L'APPAREIL

AVERTISSEMENT:

Le branchement électrique de la plaque doit être effectué par un électricien qualifié, selon les instructions décrites dans ce manuel et les règlements actuels. En cas de dommage provoqué par un branchement ou une installation inadaptée, la garantie ne sera pas valide. Cet appareil doit être relié à la terre.

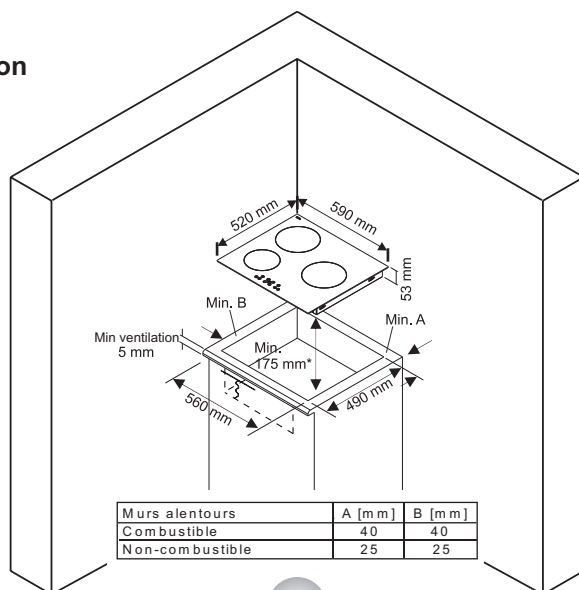
Sécurité pendant l'installation

Toute doit se trouver à au moins 65cm au-dessus de la plaque.
Les extracteurs doivent être fixés en conformité avec les consignes du fabricant.
Le mur en contact avec la partie arrière de la plaque doit avoir un matériel résistant aux flammes.
La longueur du câble d'alimentation ne doit pas excéder 2 mètres.

Fixation de la plaque dans un plan de travail

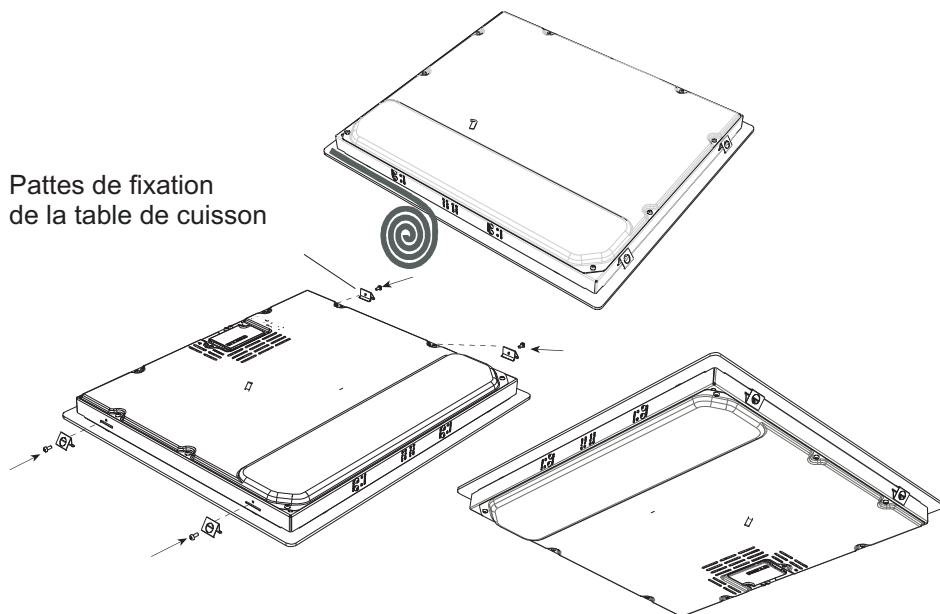
La plaque peut facilement être insérée dans n'importe quel plan de travail résistant à une chaleur d'au moins 90°C.
Découpez le plan de travail en suivant les dimensions indiquées ci-dessous.
La plaque à induction peut être insérée dans des plans de travail d'une épaisseur variant entre 25 et 40 mm.

60cm Induction



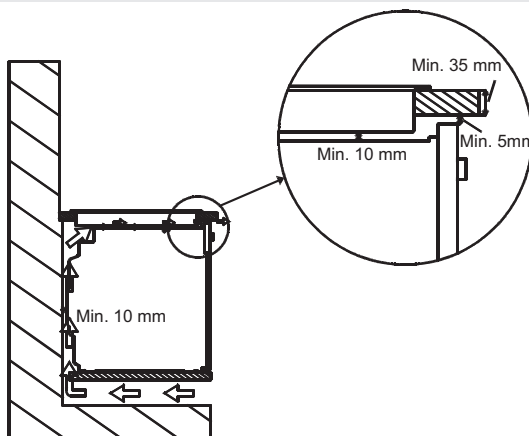
Appliquez au niveau de la partie inférieure du verre comme indiqué sur le dessin ci-dessous.

Vissez les 4 pattes de fixation sur les bords latéraux de la plaque de cuisson.



Positionnez bien la plaque dans la découpe du plan de travail.

Si vous mettez un four sous la plaque à induction, il sera nécessaire d'enlever le panneau arrière du meuble, afin d'améliorer la ventilation arrière et le refroidissement. De même, vous devrez laisser une ouverture d'au moins 5mm au niveau de la partie avant du meuble de cuisine.



Le branchement électrique doit être fait par une personne qualifiée selon les normes en vigueur

- La plaque de cuisson est conçue pour être raccordée par un branchement permanent au réseau électrique.
- Le branchement doit être fait sur une prise avec terre. S'il n'existe pas de prise avec terre conforme à la réglementation, contacter un installateur qualifié
- Vérifiez que la tension du secteur est la même que celle figurant sur la plaque signalétique Si le réseau électrique est différent de ce qui est indiqué, contactez immédiatement un installateur qualifié.

. Vérifier que la circuit peut supporter la puissance de la plaque (voir plaque signalétique)

. L'interrupteur avec fusible doit être facilement accessible quand la plaque est installée. S'il n'y a aucun circuit électrique dédié à la plaque, il sera nécessaire de faire appel à un électricien qualifié avant de brancher la plaque. Le circuit devra être protégé par son propre fusible de 30 Amp. et l'électricien devra prévoir un interrupteur avec fusible qui coupera les 2 conducteurs avec une séparation d'au moins 3mm.

• Le câble d'alimentation doit être correct et doit être correctement isolé durant le branchement. Si le câble est endommagé, contactez le service après vente, car il ne doit être changé que par un service après vente.

• Ne pas utiliser de rallonge.

• Veillez à ce que le câble d'alimentation ne touche pas les surfaces chaudes de la plaque de cuisson, ce qui pourrait endommager le câble ou la plaque de cuisson, ou entraîner un court-circuit.

• Un mauvais branchement électrique risque d'endommager votre plaque de cuisson. Un tel dommage n'est pas couvert par la garantie.

Le fabricant décline toute responsabilité en cas de dommages et pertes entraînées par le non respect de ces instructions de sécurité.

L'interrupteur avec fusible doit être fixé au mur de la cuisine, au-dessus de la surface de travail et sur le côté de la plaque, non au-dessus, conformément à la réglementation IEE en vigueur. Branchez l'interrupteur avec fusible à une boîte de dérivation qui doit être fixée sur le mur, à environ 61cm au-dessus du niveau du sol et derrière la plaque. Le câble d'alimentation de la plaque peut alors être branché. Branchez l'une des extrémités à la boîte de dérivation et l'autre extrémité sur la boîte de connexion de l'alimentation de la plaque qui se trouve à l'arrière de la plaque. Enlevez le couvercle de la boîte de branchement et installez le câble, conformément au diagramme de branchement.

Le câble d'alimentation doit se trouver à bonne distance des sources de chaleur directes. Il ne doit pas être soumis à une augmentation de température de plus de 500C au-delà de la température ambiante.

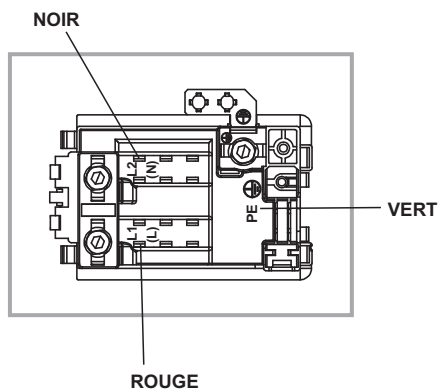
L'appareil est conforme aux directives suivantes en vigueur au sein de l'UE:

Directive 2006/95/CE sur la « basse tension »

Directive EMC 2004/108/EC

Directive 93/68/CEE relative au marquage CE

Schéma bornier de connexion



Pour la plaque à induction, le câble doit être de type AWG / 60227 IEC 53. Le diagramme de branchement est situé à l'arrière de l'appareil.

6.1 Avant de contacter le Service après vente

Si le four ne fonctionne pas :

- Vérifiez que le four est bien branché
- Vérifiez qu'il n'y a pas de coupure de courant.
- Pour les modèles équipés d'un minuteur, celui-ci n'est pas sur la position « Manuelle »
- Pour les modèles équipés d'un programmeur, celle-ci n'est peut être pas réglée.

Si le four ne chauffe pas :

- La chaleur n'a peut-être pas été réglée avec la manette de thermostat du four.

Si la lampe intérieure ne s'allume pas :

- Vérifiez que la cuisinière est bien branchée
- Vérifiez si l'ampoule est défectueuse. Si tel est le cas, changez-la en suivant les indications fournies ci-dessus.

Cuisson (si la voûte et la sole ne cuisent pas de manière identique) :

- Contrôlez les emplacements des grilles, le temps de cuisson et la position du thermostat

Si vos problèmes persistent malgré ces suggestions, veuillez contacter le service après vente

6.2 Information relative au transport

Si vous avez besoin de transporter le four, gardez l'emballage original du produit et transportez-la dedans. Respectez les consignes de transport indiquées sur l'emballage. Ouvrez la porte du four et mettez du carton ou du papier sur la vitre intérieure du four afin que la lèche frite et la grille n'endommagent pas la contre-porte du four au cours du transport. Scotchez également la porte du four aux parois latérales.

Si vous n'avez pas l'emballage original :

Prenez des mesures afin de protéger les surfaces externes (verre et surfaces peintes) du four contre les éventuels coups.

ENLEVEMENT DES APPAREILS MENAGERS USAGES

La directive européenne 2002/96/EC sur les Déchets des Equipements Electriques et Electroniques (DEEE), exige que les appareils ménagers usages ne soient pas jetés dans le flux normal des déchets municipaux. Les appareils usagés doivent être collectés séparément afin d'optimiser le taux de récupération et le recyclage des matériaux qui les composent, et réduire l'impact sur la santé humaine et l'environnement.

Le symbole de la poubelle barrée est apposé sur tous les produits pour rappeler les obligations de collecte séparée.

Les consommateurs devront contacter les autorités locales ou leur revendeur concernant la démarche à suivre pour l'enlèvement de leur vieil appareil.

CODES D'ERREURS

En cas d'erreurs, elles seront présentées sur l'affichage de chauffage.

E1 : Le ventilateur de refroidissement est désactivé. Veuillez appeler les agents de service.

E3 : La tension d'alimentation dépasse les valeurs nominales. Éteignez la plaque en touchant, puis attendez jusqu'à ce que "H" disparaisse de toutes les zones. Allumez ensuite la plaque en touchant et continuez l'utilisation. Si la même erreur se produit, appelez les agents de service autorisés.

E4: La fréquence d'alimentation est différente des valeurs nominales. Éteignez la plaque en touchant, puis attendez jusqu'à ce que "H" disparaisse de toutes les zones. Allumez ensuite la plaque en touchant et continuez l'utilisation. Si la même erreur se produit, appelez les agents de service autorisés.

E5: La température interne de la plaque est très élevée. Éteignez-la en touchant afin que le chauffage se refroidisse.

E6: Erreur de communication entre le chauffage et touch control. Veuillez appeler les agents de service autorisés.

E7: Le capteur de la température la bobine est désactivée. Veuillez appeler les agents de service autorisés.

E8: Le capteur de la température du refroidisseur est désactivé. Veuillez appeler les agents de service autorisés

E9: Erreur de calibration. Veuillez appeler les agents de service autorisés

Spécifications

Voltage	: 220-240V
Fréquence	: 60 Hz.
Puissance	: 7.4 kW

Consommation en mode veille	: <1W
Niveau sonore	: <70dB (A)

Dimensions du produit (mm)

Largeur	: 590
Profondeur	: 520

Dimensions d'encastrement dans plan de travail (mm)

Largeur	: 560
Profondeur	: 490



Le symbole qui figure sur le produit ou sur son emballage indique que ce produit ne peut être traité comme déchet ménager. Il doit être déposé dans un centre de collecte approprié pour le recyclage des équipements électriques et électroniques. En garantissant l'élimination correcte de ce produit, vous évitez des effets négatifs sur l'environnement et la santé humaine qui peuvent être causés par une élimination incorrecte de ce produit. Pour plus d'informations sur le recyclage de ce produit, contactez les autorités locales, le centre de collecte des ordures ménagères ou le magasin où vous avez acheté le produit.