

DW80M9550

SAMSUNG

Samsung WaterWall™ Dishwasher



Signature Features

WaterWall™ Linear Wash System

- A powerful, streaming wall of water delivers remarkable cleaning results. Maintains maximum pressure from corner to corner.

AutoRelease™ Door

- At the end of a cycle, the door automatically pops open to circulate air and accelerate drying time.

Zone Booster™

- Target different zones of your dishwasher with custom settings.

Available Colors



Stainless Steel (shown)



Black Stainless Steel



WaterWall™ Linear Wash System



Zone Booster

Features

- Cutlery Caddy
- Quiet Operation: 42 dBA
- 7 Wash Cycles
- 7 Options
- ENERGY STAR® rated: 239 kWh/Year
- Express Cycle: 60 Minutes
- Easily Adjustable Racking System
- 15 Place Settings
- Digital Leak Sensor
- Indicator Light

Convenience

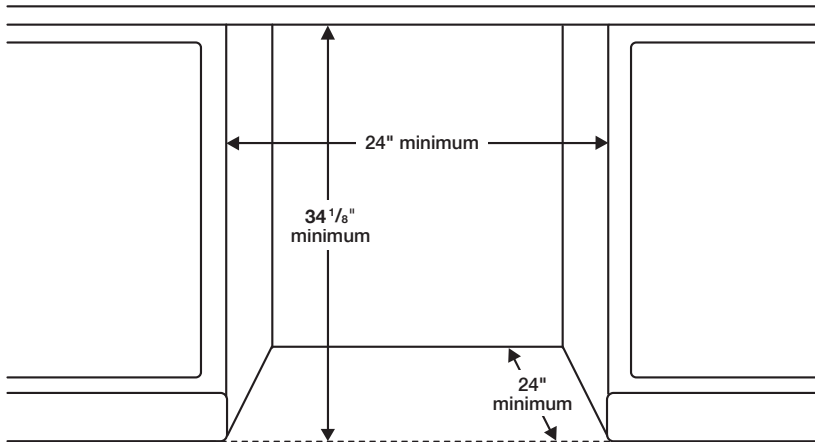
- Child Lock
- Delay Start

DW80M9550

SAMSUNG

Samsung WaterWall™ Dishwasher

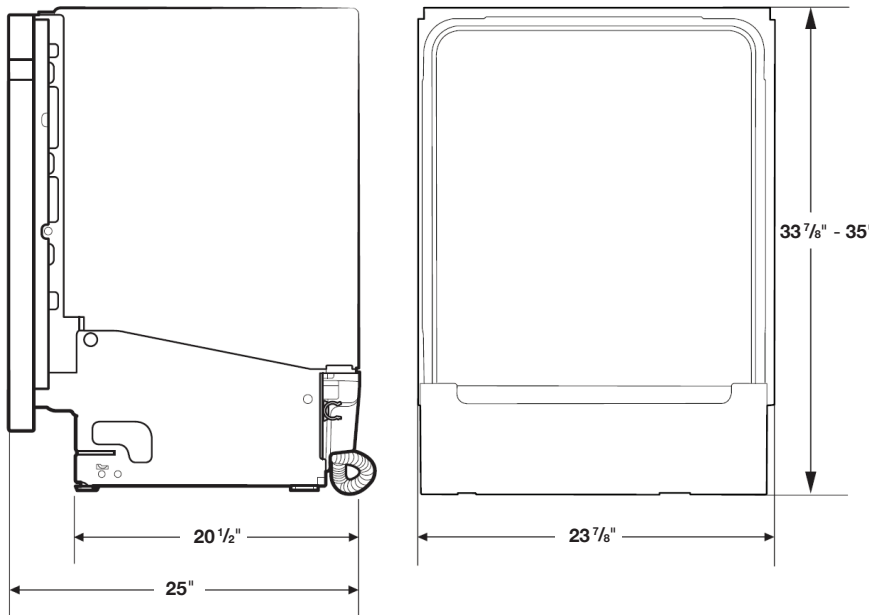
Installation Specifications



Dimensions

Side View

Rear View



Features

- 7 Wash Cycles: Auto, Normal, Heavy, Delicate, Express 60, Rinse Only, Self Clean
- 7 Options: Half-Load Wash (Lower Rack), Zone Booster (Left), Speed Booster, Hi-Temp Wash, Sanitize (Anti-bacterial – NSF), Delay Start, Control Lock
- AutoRelease™ Door
- Hidden Heat Element
- Stainless Steel Interior Tub

Convenience

- Child Lock
- Digital Water Leakage Sensor
- Cutlery Tray
- One-Touch Adjustable Racking System
- Silverware Basket
- Upper Rack: 1 Cup Shelf, 1 Cutlery Caddy, 2 Adjustable Tines
- Lower Rack: Fold-Down Tines

Warranty

One (1) Year All Parts and Labor

Five (5) Year Limited on Printed Circuit Board and Interior Nylon Racks

Lifetime Limited Warranty on Stainless Steel Door Liner and Tub for Leakage

Product Dimensions & Weight (WxHxD)

Dimensions:
23 7/8" x 33 7/8" x 25"

Weight: 90 lbs.

Shipping Dimensions & Weight (WxHxD)

Dimensions:
26" x 34 3/4" x 29 3/4"

Weight: 97 lbs.

Color

Stainless Steel

Black Stainless Steel

Model

DW80M9550US

DW80M9550UG

UPC Code

887276197814

887276197807