

# CC70F30S2DAA

SAMSUNG

## 30" Induction Cooktop with Anti-Scratch Matte Glass and Sync Elements



### Signature Features

#### E-Star Certified

Save energy but still cook your food effectively. The cooktop has been independently evaluated against strict power consumption specifications and ENERGY STAR® certified for its outstanding energy efficiency. So it is proven to use less energy, without sacrificing performance or functionality.

#### Anti-Scratch Glass

Anti-Scratch Glass has a high hardness rating and can withstand 1.5x more pressure without scratching compared to normal glass. Also its matte black finish also gives it a premium look that will blend in harmoniously with contemporary kitchen interiors. It also has anti-fouling coating so if there is any spilled food, sauce splatters or grease stuck on the surface you can simply wipe the mess away easily.

#### 4.3kW Power Burner & Sync Burner

Cook consistently flavorful food fast with the powerful 4.3kW Induction Cooktop. It's ideal for sautéing and searing meat or boiling water in a flash. A 7" Sync Burner lets you control two burners with one control to create one large cooking zone.

### Available Colour



Black



Anti-Scratch Glass



4.3kW Power Burner & Sync Burner

### Features

- 4-Element Cooktop with Sync Element
- Anti-Scratch Matte Glass Cooktop
- Digital Touch Controls
- 15 Power Levels + Boost Mode

### Convenience

- Wi-Fi Connectivity
- Hot Surface Indicator Light
- Safety Shutoff
- Pause
- Quick Stop
- Simmer
- Countdown Timer

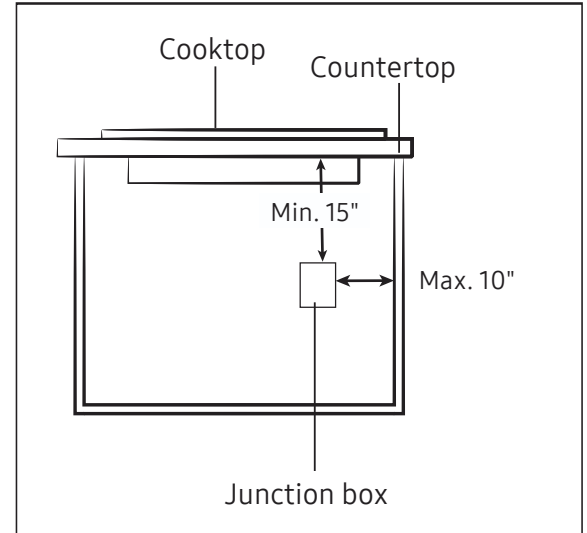
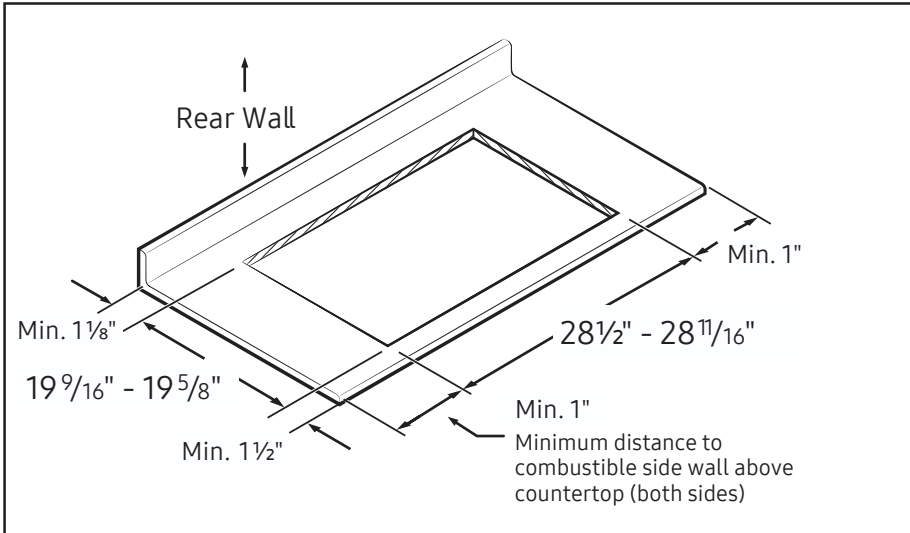
# CC70F30S2DAA

**SAMSUNG**

## 30" Induction Cooktop with Anti-Scratch Matte Glass and Sync Elements

### Installation Specifications

Countertop cutout and minimum clearance dimensions:



#### Total Power (BTU)

7.1 kW

#### Power Source

240V / 60 Hz / 30A

#### 4-Element Induction Cooktop

Left Front: 7", 1.8 kW (Boost - 2.3 kW)

Left Rear: 7", 1.8 kW (Boost - 2.3 kW)

Left Sync Burner (Front + Rear): 7" x 15", 3.4 kW (Boost - 3.6 kW)

Right Front: 7", 1.2 kW (Boost - 1.5 kW)

Center: 11", 2.3 kW (Boost - 4.3 kW)

#### Warranty

One (1) Year All Parts and Labor

#### Product Dimensions & Weight (WxHxD)

Outside (Max Cooktop Dimensions):

30" x 4 1/8" x 21 1/4"

Cooktop Cut-Out Dimensions:

28 1/2" - 28 11/16" x 4 1/8" x 19 9/16" - 19 5/8"

Weight: 37 lbs

#### Shipping Dimensions & Weight (WxHxD)

Dimensions: 34 1/4" x 8 1/2" x 25 1/8"

Weight: 41.4 lbs

#### Colour

Black

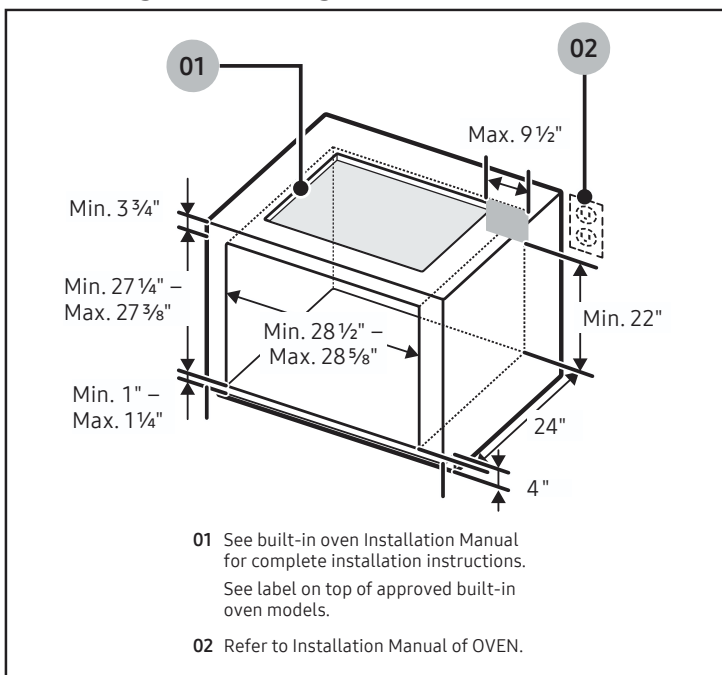
#### Model #

CC70F30S2D

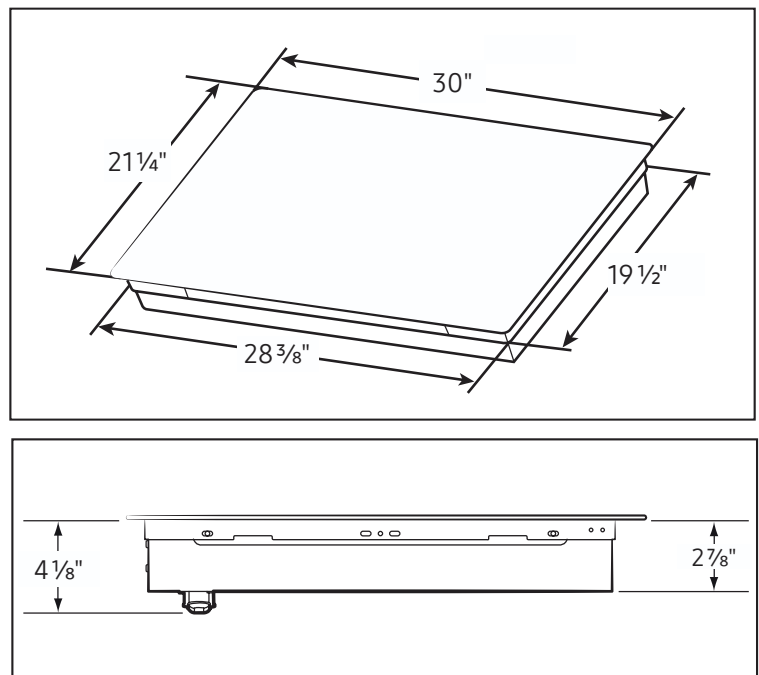
#### UPC Code

887276990309

### Installing Over a Single Oven



### Dimensions



Actual colour may vary. Design, specifications and colour availability are subject to change without notice. Non-metric weights and measurements are approximate.

© 2025 Samsung Electronics Canada Inc. All rights reserved. Samsung is a registered trademark of Samsung Electronics Co., Ltd., used with permission.

**ADA** Compliant **ADA Compliant**