

# NZ30K7880UG

## 30" Induction Cooktop



Black Stainless Steel



### Features

- Power Boost
- WiFi Connectivity
- Bluetooth Connected to Hood
- 15 Power Levels plus Booster
- Simmer
- Melt Setting
- 4 Induction Elements – Including 4800W Dual Burner – 7"/11"
- 8.6kW Power
- 2-Stage Residual Heat Indicator

### Convenience

- Kitchen Timer
- Child Safety Lock
- Safety Shutoff
- Direct Access
- Quick Stop/Start/Pause Controls
- Demo Mode



Flex Zone



Magnetic Knob

### Signature Features

#### Flex Zone

- Large cooking area designed to adapt to different pot shapes and sizes for optimal flexibility.

#### Digital-Analog Controls

- The ultimate interface, choose between a removable magnetic analog-knob or digital touch controls.

#### Virtual Flame™ Technology

- LED surface lights shine onto pans to give the visual of gas cooking, with the precision of induction.

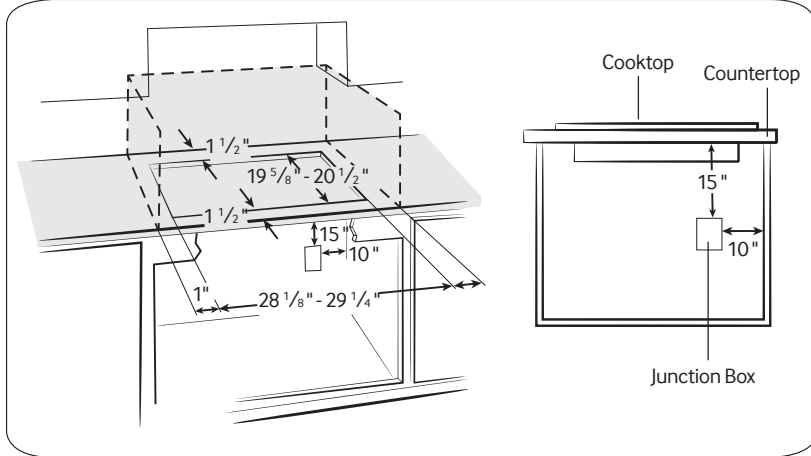
# SAMSUNG

# NZ30K7880UG

## 30" Induction Cooktop

### Installing Your Cooktop

Can be installed over a single oven.



### Total Power

- 8.6kW

### Power Source

- 240V/40 Amps

### Induction Cooktop

- Left Front: Flex Zone Plus 1800W (Boost 2600W)
- Left Rear: Flex Zone Plus 1800W (Boost 2600W)
- Right Front: 6" 1400W (Boost 1800W)
- Center: 7/11" 3600W (Boost 4800W)
- Flex Zone: 7 11/16" x 15 3/4"

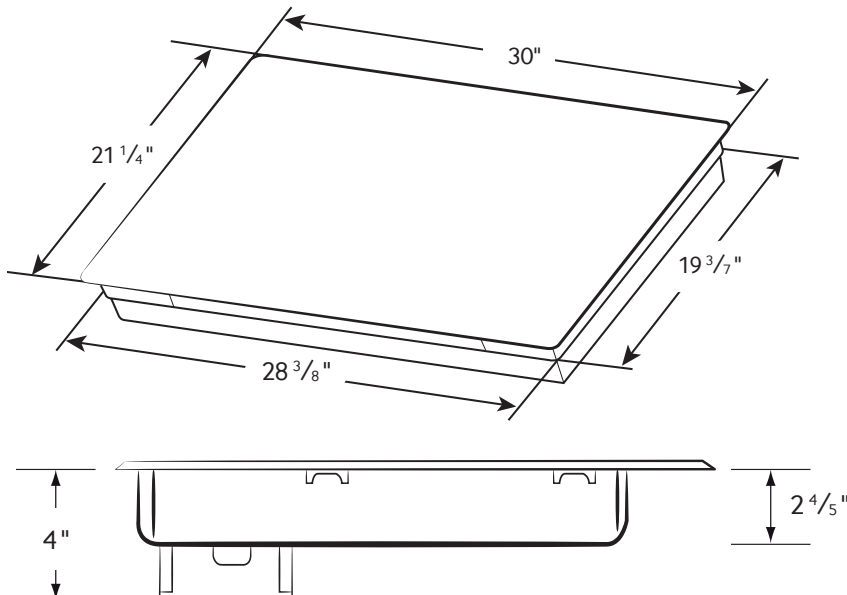
### Warranty

One (1) Year All Parts and Labour  
Five (5) Year Parts on Glass Cooktop

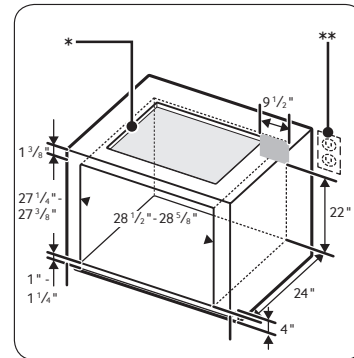
### Dimensions

#### Cooktop Dimensions

Refer to installation manual for more details.



#### Cut-out Dimensions of Countertop



\* See built-in oven installation for complete installation instructions.

See label on top of approved built-in oven models.

\*\* Refer to installation manual of oven.

COLOUR	MODEL #	UPC CODE
Black Stainless Steel	NZ30K7880UG	887276183435

PLEASE VISIT [SAMSUNG.COM](http://SAMSUNG.COM) FOR OUR LATEST UPDATES.

Actual colour may vary. Design, specifications, and colour availability are subject to change without notice. Non-metric weights and measurements are approximate.

© 2016 Samsung Electronics Canada Inc. All rights reserved. Samsung is a registered trademark of Samsung Electronics Co., Ltd., used with permission.

# SAMSUNG