

# Electric Cooktop

## Installation manual

NZ30K7880\*\*/NZ36K7880\*\*



**SAMSUNG**

## Contents

---

Important safety information	2
Installation requirements	3
Tool and parts	3
Location requirements	4
Product dimensions	4
Electrical requirements	6
Installation instructions	7
Install cooktop	7
Make electrical connection	8
Complete installation	10

## Important safety information

---

### For your safety

- For Personal Safety, remove house fuse or open circuit breaker before beginning installation.  
Failure to do so could result in serious injury or death.
- Be sure your cooktop is installed properly by a qualified installer or service technician.
- To eliminate the risk of burns or fire due to reaching over heated surface elements, cabinet storage located above the surface units should be avoided. If cabinet storage space is necessary, the risk can be reduced by installing a range hood that projects horizontally a minimum of 5" beyond the bottom of the cabinets. Cabinet installation above the cooktop may be no deeper than 13".
- Make sure the cabinets and wall coverings around the cooktop can withstand the temperatures (up to 194 °F) generated by the cooktop.
- The cooktop should be easy to reach and illuminated by natural light during the day.
- Always disconnect the electrical service to the cooktop before repairing or servicing the cooktop. This can be done by disconnecting the fuse or circuit breaker. Failure to do this could result in a dangerous or fatal shock. Know where your main disconnect switch is located. If you do not know, have your electrician show you.

## For your Safety

This appliance must be supplied with the proper voltage and frequency, and connected to an individual, properly grounded branch circuit, protected by a 40A circuit breaker or a time delay circuit breaker as noted on name plate.

We recommend you have the electrical wiring and hookup of your cooktop connected by a qualified electrician. After installation, have the electrician show you where your main cooktop disconnect is located.

The cooktop conduit wiring is approved for copper wire connection only, and if you have aluminum house wiring, you must use special UL approved connectors for joining copper to aluminum.

### **⚠ WARNING**

If the information in this manual is not followed exactly, a fire or electrical shock may result causing property damage, personal injury, or death.

### **⚠ WARNING**

Before beginning the installation, switch the power off at the service panel and lock the service disconnecting switch to prevent power from being switched on accidentally. When the service disconnecting switch cannot be locked, securely fasten a prominent warning device, such as a tag, to the service panel.

### **⚠ WARNING**

This appliance must be properly grounded.

## Installation requirements

### Tool and parts

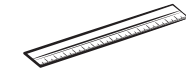
#### Tools you will need



Pencil



Phillips Head Screwdriver



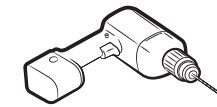
Ruler or Straightedge



Safety Glasses



Saber Saw



1/8" Drill Bit & Electric or Hand Drill

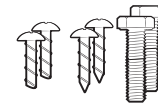
#### Parts needed

- A UL listed or CSA approved connector for 1/2" (1.3 cm) diameter conduit
- UL listed wire connectors

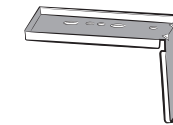
Check local codes. Check existing electrical supply. See the "Electrical requirements" section.

It is recommended that all electrical connections be made by a licensed, qualified electrical installer.

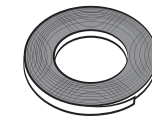
#### Parts included



6 screw  
(M4L10 2 ea,  
M4 L16 2 ea,  
UNC 24<sup>3</sup>/<sub>16</sub> L75 2 ea)



Bracket Guide: 2ea



Foam Tape

# Installation requirements

## Location requirements

**IMPORTANT:** Observe all governing codes and ordinances.

- Cabinet opening dimensions that are shown must be used.  
Recessed installation area must provide complete enclosure around the recessed portion of the cooktop.
- Grounded electrical supply is required. See “Electrical Requirements” section.

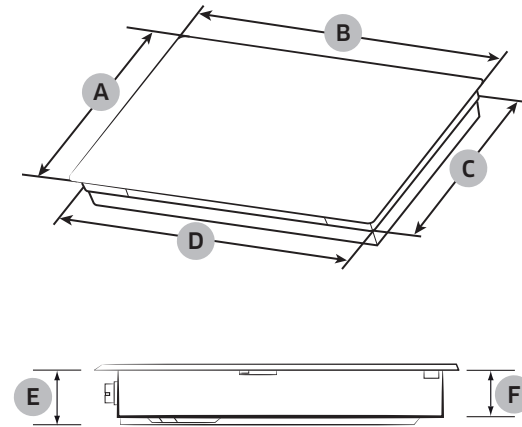
**NOTE**

It is recommended to install the junction box on right side of the cabinet.

If installing the junction box near the left side, make sure the junction box does not interfere with the cooktop (by concealing the junction box inside the wall).

**IMPORTANT:** To avoid damage to your cabinets, check with your builder or cabinet supplier to make sure that the materials used will not discolor, delaminate or sustain other damage. This cooktop has been designed in accordance with the requirements of UL and CSA International and complies with the maximum allowable wood cabinet temperatures of 194 °F (90 °C).

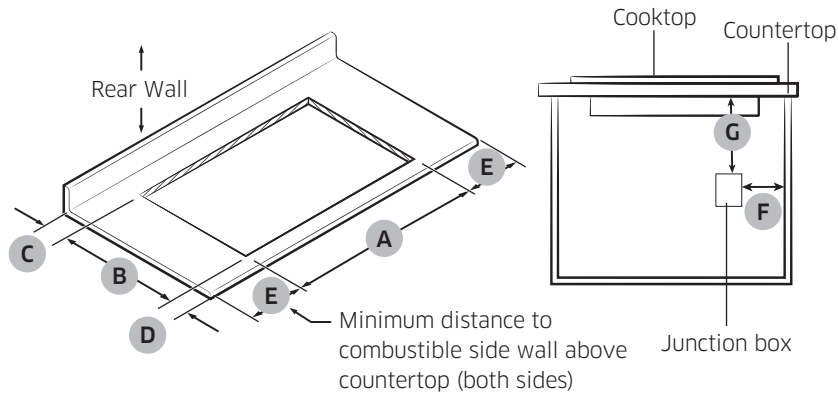
## Product dimensions



Cabinet		30" (mm)	36" (mm)
A	Frame Depth	21 <sup>1</sup> / <sub>4</sub> " (540)	21 <sup>1</sup> / <sub>4</sub> " (540)
B	Frame width	30" (762)	36" (914.4)
C	Case Depth	19 <sup>1</sup> / <sub>2</sub> " (494.6)	19" (481.6)
D	Case Width	28 <sup>3</sup> / <sub>8</sub> " (720)	33 <sup>3</sup> / <sub>4</sub> " (856.6)
E	Conduit Case Height	4" (101)	4" (101)
F	Case Height	3 <sup>1</sup> / <sub>8</sub> " (80.5)	3 <sup>1</sup> / <sub>8</sub> " (80.5)

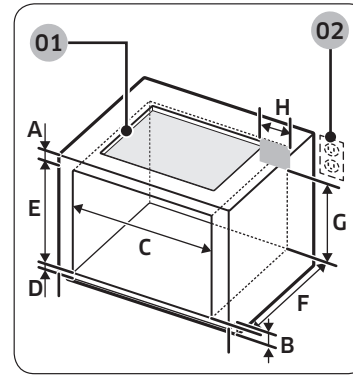
**IMPORTANT:**

If installing a range hood or microwave hood combination above the cooktop, follow the range hood or microwave hood combination installation instructions for dimensions and clearance above the cooktop surface.



	NZ30K***** (30")	NZ36K***** (36")
A	28 <sup>1</sup> / <sub>2</sub> " - 28 <sup>11</sup> / <sub>16</sub> " (724 mm - 728 mm)	33 <sup>7</sup> / <sub>8</sub> " - 34" (860 mm - 864 mm)
B	19 <sup>9</sup> / <sub>16</sub> " - 19 <sup>5</sup> / <sub>8</sub> " (497.4 mm - 499.4 mm)	19 <sup>1</sup> / <sub>8</sub> " - 19 <sup>3</sup> / <sub>16</sub> " (485.6 mm - 487.6 mm)
C	Min 1 <sup>1</sup> / <sub>8</sub> " (28 mm). Between cutout and the wall behind the cooktop	
D	Min 1 <sup>1</sup> / <sub>2</sub> " (38 mm). From front edge of cutout and front edge of countertop	
E	Min 1" (26 mm). Distance nearest left and right side combustible surface above cooktop.	
F	Junction box or outlet 10" (254 mm) maximum from right-hand side of cabinet	
G	Junction box or outlet 15" (381 mm) minimum from bottom of countertop	

**Single Oven Under counter**

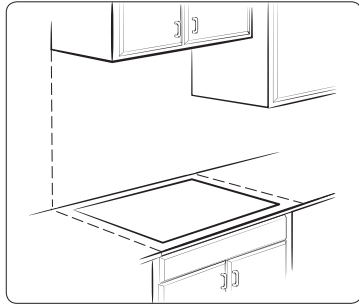


- 01** See built-in oven installation for complete installation instructions. See label on top of approved built-in oven models.
- 02** Refer installation Manual of OVEN.

	Size
A	Min. 3 <sup>3</sup> / <sub>4</sub> " (9.5 cm)
B	4" (10.1 cm)
C	Min. 28 <sup>1</sup> / <sub>2</sub> " / Max. 28 <sup>5</sup> / <sub>8</sub> " (Min. 72.4 cm / Max. 72.7 cm)
D	Min. 1" / Max. 1 <sup>1</sup> / <sub>4</sub> " (Min. 2.5 cm / Max. 3.2 cm)
E	Min. 27 <sup>1</sup> / <sub>4</sub> " / Max. 27 <sup>3</sup> / <sub>8</sub> " (Min. 69.2 cm / Max. 69.5 cm)
F	24" (61 cm)
G	Min. 22" (Min 55.9 cm)
H	Max. 9 <sup>1</sup> / <sub>2</sub> " (Max. 24.1 cm) - Junction Box

Installation requirements

## Installation requirements



Make sure the wall coverings, countertop and cabinets around the cooktop can withstand heat (up to 194 °F) generated by cooktop.

### NOTE

If cabinet has a drawer, a minimum 127 mm (5") depth clearance from the bottom of cooktop to top of the drawer (or other obstruction) in base cabinet is required.

### IMPORTANT:

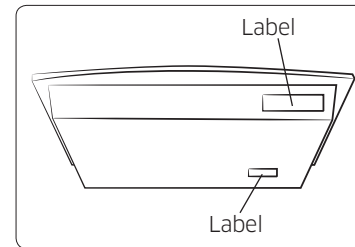
The junction box must be located where it will allow considerable slack in the conduit for serviceability.

## Electrical requirements

### WARNING

#### Electrical Shock Hazard

Disconnect power before servicing.  
Use 8 gauge solid copper wire.  
Electrically ground cooktop.



- Refer the label on the bottom or front of the cooktop for power requirements and model information.

Failure to follow these instructions can result in death, fire, or electrical shock. If codes permit and a separate ground wire is used, it is recommended that a qualified electrical installer determine that the ground path and the wire gauge are in accordance with local codes. Check with a qualified electrical installer if you are not sure the cooktop is properly grounded.

This cooktop must be connected to a grounded metal, permanent wiring system. Be sure that the electrical connection and wire size are adequate and in conformance with the National Electrical Code, ANSI/NFPA 70-latest edition or CSA Standards C22.

1-94, Canadian Electrical Code, Part 1 and C22.2 No. 0-M91-latest edition, and all local codes and ordinances.

A copy of the above code standards can be obtained from:

National Fire Protection Association  
1 Batterymarch Park  
Quincy, MA 02169-7471

CSA International  
8501 East Pleasant Valley Road  
Cleveland, OH 44131-5575

### Before you make the electrical connection:

To properly install your cooktop, you must determine the type of electrical connection you will be using and follow the instructions provided for it here.

- A 3-wire or 4-wire, single phase, **208 or 240 volt AC**, 60-Hz, power supply is required on a dedicated **double pole circuit breaker** of at least 40 amps for the 30" cooktop, and of at least 45 amps for the 36" cooktop.

### NOTE

- The cooktop is rated 240 volt. Some models have a neutral (white) wire.
- The cooktop should be connected directly to the junction box through flexible, armored or nonmetallic sheathed, copper cable. The flexible, armored cable extending from the fuse box or circuit breaker box should be connected directly to the junction box.
- Locate the junction box to allow as much slack as possible between the junction box and the cooktop so that the cooktop can be moved if servicing becomes necessary in the future.
- Do not cut the conduit. Use the length of conduit provided.
- A UL listed or CSA approved conduit connector is necessary at each end of the power supply cable (at the cooktop and at the junction box). A listed conduit connector is already provided at the cooktop.
- If the house has aluminum wiring, follow the procedure below:
  1. Connect a section of solid copper wire to the pigtail leads.
  2. Connect the aluminum wiring to the added section of copper wire using special connectors and/or tools designed and UL listed for joining copper to aluminum.

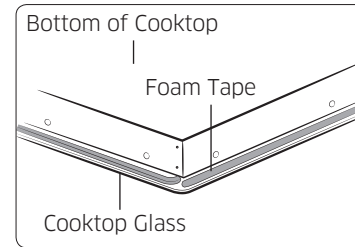
Follow the electrical connector manufacturer's recommended procedure. Aluminum/copper connection must conform with local codes and industry accepted wiring practices.

## Installation instructions

### Install cooktop

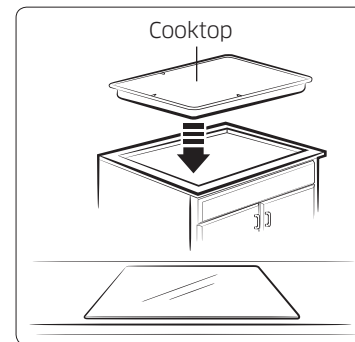
#### STEP 1 Prepare installation

Decide on the final location for the cooktop. Avoid drilling or cutting into house wiring during installation.



- 01 Using 2 or more people, place the cooktop upside down on a covered surface using the foam end posts from the packaging.
- 02 The foam strip helps avoid damage to the underside of the cooktop glass from debris and helps the cooktop sit flat on uneven counters.

#### STEP 2 Place cooktop

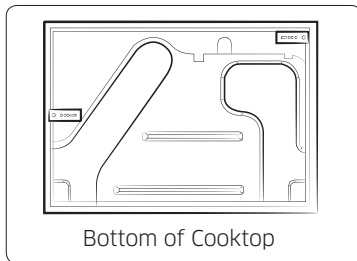


Insert the cooktop centered into the cutout opening. Make sure the cooktop is parallel to the front edge of the countertop. Make final check that all required clearances are met.

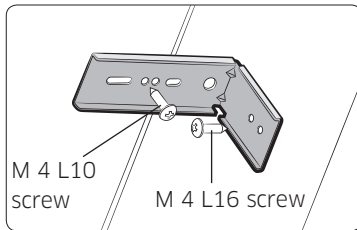
# Installation instructions

## STEP 3-1 Bracket Guide Installing -Main

The bracket Guide can be installed after cooktop is placed into the cutout.



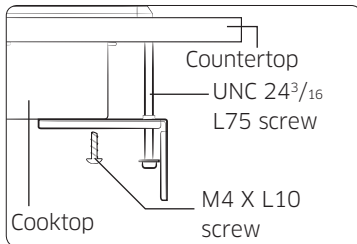
1. Attach bracket guide to bottom of cooktop and side of wall.
2. Adjust to match hole of bracket and bottom of cooktop.
3. Tighten screw enough to hold bracket in place when cooktop is placed in cutout.
4. Using 2 or more people, turn the cooktop right side up and place in cutout.



### NOTE

Make sure that the front edge of the cooktop is parallel to the front edge of the countertop. If repositioning is needed, lift entire cooktop up from cutout to avoid scratching the countertop.

## STEP 3-2 Alternative Bracket Guide Installing



1. Attach bracket guide to bottom and select bracket location.
2. Tighten screw bracket guide to base of cooktop.
3. Install UNC 24<sup>3</sup>/<sub>16</sub> L75 screw until it touches the bottom of the countertop. Turn the thumbscrew until bracket touches the bottom of the countertop. Do not over tighten.

## Make electrical connection

This cooktop is manufactured with ground wire (bare or green) connected to the cooktop frame connect the cooktop cable to the junction box through the UL listed or CSA approved conduit connector.

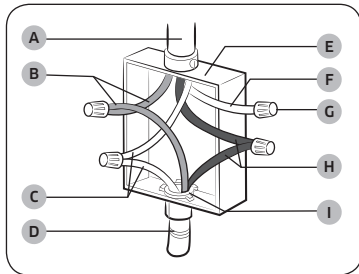
### Electrical Connection Options

If your home has:	And you will be connecting to :	Go to section:
4-wire direct 	Afused disconnect or circuit breaker box	4-Wire Cable from Power supply to 3-Wire Cable from Cooktop
3-wire direct 	Afused disconnect or circuit breaker box	3-Wire Cable from Power supply to 3-Wire Cable from Cooktop



#### 4-Wire Cable from Power Supply to 3-Wire Cable from Cooktop

**IMPORTANT:** Use the 4-wire cable from power supply where local codes do not permit connecting the frame-ground conductor to the Neutral (N) junction box wire.



- A. 4-wire cable from power supply
- B. L1 wires
- C. Ground (G) or bare ground wire (from cooktop)
- D. 3-wire cable from cooktop
- E. Junction box
- F. N (normally White) wire (from power supply)
- G. UL listed wire connector
- H. L2 (normally Red) wires
- I. UL listed or CSA approved conduit connector

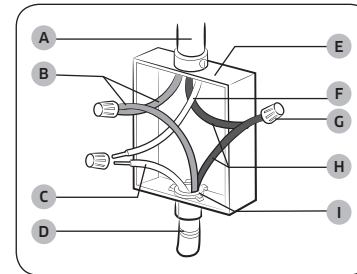
1. Disconnect power.
2. Remove Junction box cover if present.
3. Connect the flexible cable conduit from the cooktop to the junction box using a UL listed or CSA approved conduit connector.
4. Tighten screws on conduit connector, if present.
5. Connect the two L2 wires together using the UL listed wire connectors.
6. Connect the two L1 wires together using the UL listed wire connectors.
7. Connect the Ground (G) or bare ground wire from the cooktop cable to the Ground (G) or bare ground wire (in the junction box) using a UL listed wire connectors.
8. Put a UL listed wire connector on the end of the Neutral (N) wire.
9. Install junction box cover.
10. Reconnect power.

#### NOTE

- Usually L1 is Black, L2 is Red, Ground (G) is Green or bare wire and Neutral (N) is White wire.
- Do not connect the bare ground wire to the Neutral (N) wire in the junction box.

#### 3-Wire Cable from Power Supply to 3-Wire Cable from Cooktop

**IMPORTANT:** where local codes permit, 3-wire cable can be use to supply power. In those cases connect connect cooktop ground wire to the neutral wire from the junction box.



- A. 3-wire cable from power supply
- B. L1 wires
- C. Ground (G) or bare ground wire (from cooktop)
- D. 3-wire cable from cooktop
- E. Junction box
- F. N (normally White) wire (from power supply)
- G. UL listed wire connector
- H. L2 (normally Red) wires
- I. UL listed or CSA approved conduit connector

1. Disconnect power.
2. Remove Junction box cover, if present.
3. Connect the flexible cable conduit from the cooktop to the junction box using a UL listed or CSA approved conduit connector.
4. Tighten screws on conduit connector, if present.
5. Connect the two L2 wires together using the UL listed wire connectors.
6. Connect the two L1 wires together using the UL listed wire connectors.
7. Connect the Ground (G) or bare ground wire from the cooktop cable to the Ground (G) or bare ground wire (in the junction box) using a UL listed wire connectors.
8. Install junction box cover.
9. Reconnect power.

# Installation instructions

---

## Complete installation

---

1. Check that all parts are now installed. If there is an extra parts go back through the steps to see if any steps were skipped..
2. Check that you have all of your tools.
3. Dispose of/recycle all packaging materials.
4. Use a mild solution or liquid household cleaner and warm water to clean cooktop before use. Dry thoroughly with a soft cloth. For more information, see the User's Manual.
5. Reconnect power.

### If You Need Assistance or Service:

Please reference the "User Manual" or contact the dealer from whom cooktop was purchased.

# Memo

---



Scan this with your smartphone

Scan the QR code\* or visit  
[www.samsung.com/spsn](http://www.samsung.com/spsn)  
to view our helpful  
How-to Videos and Live Shows  
\*Requires reader to be installed on your  
smartphone

## QUESTIONS OR COMMENTS?

COUNTRY	CALL	OR VISIT US ONLINE AT
U.S.A Consumer Electronics	1-800-SAMSUNG (726-7864)	<a href="http://www.samsung.com/us/support">www.samsung.com/us/support</a>
CANADA	1-800-SAMSUNG (726-7864)	<a href="http://www.samsung.com/ca/support">www.samsung.com/ca/support</a> (English) <a href="http://www.samsung.com/ca_fr/support">www.samsung.com/ca_fr/support</a> (French)



DG68-00827A-05

# Cubierta eléctrica

## Manual de instalación

NZ30K7880\*\*/NZ36K7880\*\*



**SAMSUNG**

## Contenido

Información importante de seguridad	2
Requisitos de instalación	3
Herramientas y piezas	3
Requisitos de ubicación	4
Dimensiones del producto	4
Requisitos eléctricos	6
Instrucciones de instalación	7
Instalación de la cubierta	7
Conexión eléctrica	8
Completar la instalación	10

## Información importante de seguridad

### Para su seguridad

- Para su seguridad personal, quite el fusible de su casa o corte la electricidad con el disyuntor antes de comenzar la instalación. No hacerlo podría causar lesiones graves o incluso la muerte.
- Asegúrese de que la cubierta sea correctamente instalada por un técnico de servicio o un instalador calificado.
- Para eliminar el riesgo de quemaduras o incendios debido al contacto con los elementos calientes de la superficie, se debería evitar colocar gabinetes de almacenamiento encima de las unidades de la superficie. Si se necesita espacio de almacenamiento en gabinetes, el riesgo puede reducirse instalando una campana para estufas que se proyecte horizontalmente por lo menos 5" más allá de la parte inferior de los gabinetes. La profundidad de instalación de los gabinetes no puede superar las 13".
- Asegúrese de que los gabinetes y los revestimientos de las paredes alrededor de la cubierta puedan soportar las temperaturas (hasta 194 °F) que esta genera.
- La cubierta debe ser de fácil acceso y estar iluminada por la luz natural durante el día.
- Siempre desconecte el servicio eléctrico a la cubierta antes de realizar tareas de reparación o mantenimiento. Esto puede hacerse al desconectar el fusible o disyuntor. No hacerlo puede provocar una descarga eléctrica peligrosa o fatal. Es necesario que sepa dónde se encuentra su interruptor de desconexión principal. Si no lo sabe, pida a su electricista que se lo muestre.

## Para su seguridad

Este electrodoméstico debe ser alimentado con el voltaje y la frecuencia correctos, y debe conectarse a un ramal de circuito individual correctamente conectado a tierra y protegido con un disyuntor de 40A o un disyuntor de retardo según se indique en la placa.

Le recomendamos que el cableado y la conexión de su cubierta sean realizados por un electricista calificado. Luego de la instalación, solicítele al electricista que le muestre dónde se encuentra el dispositivo de desconexión principal de la cubierta.

El cableado conductor de la cubierta está aprobado para la conexión de cables de cobre solamente y si usted tiene un cableado de aluminio en el hogar, debe utilizar conectores especiales aprobados por UL para unir cobre con aluminio.

## ⚠ ADVERTENCIA

Si la información de este manual no es seguida con exactitud, se podrían producir incendios o descargas eléctricas que causen daños a la propiedad, lesiones personales o la muerte.

## ⚠ ADVERTENCIA

Antes de comenzar la instalación, corte la alimentación eléctrica desde el panel de servicio y cierre con llave el interruptor de desconexión del servicio para evitar que la corriente eléctrica sea conectada accidentalmente. Cuando el interruptor de desconexión del servicio no se pueda bloquear, coloque un dispositivo de advertencia prominente, tal como una etiqueta, en el panel de servicio.

## ⚠ ADVERTENCIA

Este electrodoméstico debe conectarse a tierra correctamente.

## Requisitos de instalación

### Herramientas y piezas

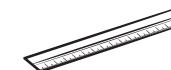
#### Herramientas necesarias



Lápiz



Destornillador Phillips



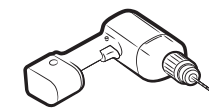
Regla



Gafas de seguridad



Sierra de sable

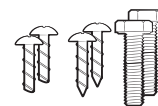


Broca de 1/8" y taladro eléctrico o manual

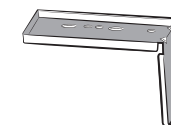
#### Piezas necesarias

- Un conector aprobado por UL o CSA para conductos con un diámetro de 1/2" (1.3 cm)
  - Conectores de cable aprobados por UL
- Consulte los códigos locales. Compruebe el suministro eléctrico existente. Consulte la sección "Requisitos eléctricos". Se recomienda que todas las conexiones eléctricas sean realizadas por un electricista autorizado y calificado.

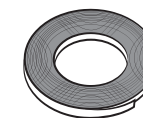
#### Piezas incluidas



6 tornillos  
(M4 L10 2 de c/u,  
M4 L16 2 de c/u,  
UNC 24<sup>3</sup>/<sub>16</sub> L75 2 de c/u)



Guía del soporte: 2 de c/u



Cinta de espuma

# Requisitos de instalación

## Requisitos de ubicación

**IMPORTANTE:** Cumpla todos los códigos y ordenanzas exigidos por las autoridades pertinentes.

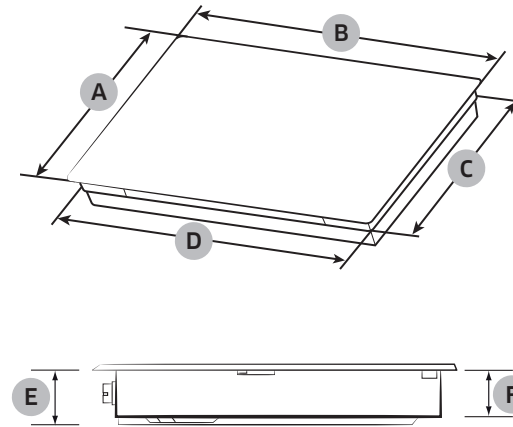
- Se deben utilizar las dimensiones de abertura de los gabinetes que se muestran.  
El área de instalación empotrada debe proveer un recinto cerrado alrededor de la porción empotrada de la cubierta.
- Se requiere un suministro eléctrico con conexión a tierra. Consulte la sección "Requisitos eléctricos".

**NOTA**

Se recomienda instalar la caja de empalmes en el lado derecho del gabinete. Si instala la caja de empalmes cerca del lado izquierdo, asegúrese de que no interfiera con la cubierta (ocultando la caja de empalmes dentro de la pared).

**IMPORTANTE:** Para evitar dañar sus gabinetes, verifique con el constructor o distribuidor de gabinetes para asegurarse de que los materiales utilizados no se descoloren, se descascaren o puedan sufrir otros daños. Esta cubierta ha sido diseñada de acuerdo con los requisitos de UL y CSA International, y cumple con las temperaturas para gabinetes de madera máximas permitidas de 194 °F (90 °C).

## Dimensiones del producto

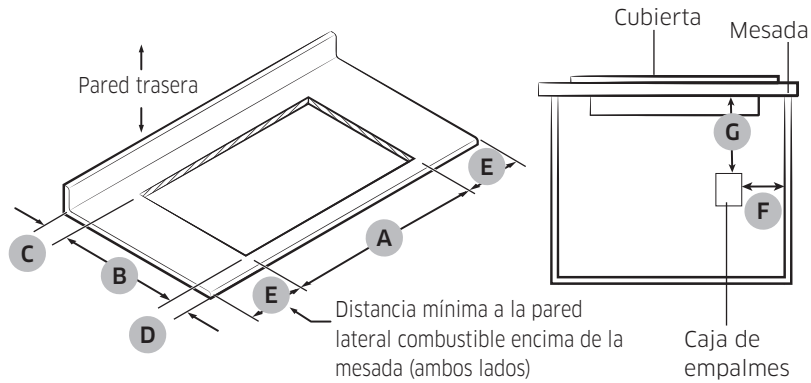


Gabinete		30" (mm)	36" (mm)
A	Profundidad del marco	21 <sup>1</sup> / <sub>4</sub> " (540)	21 <sup>1</sup> / <sub>4</sub> " (540)
B	Ancho del marco	30" (762)	36" (914.4)
C	Profundidad de la caja	19 <sup>1</sup> / <sub>2</sub> " (494.6)	19" (481.6)
D	Ancho de la caja	28 <sup>3</sup> / <sub>8</sub> " (720)	33 <sup>3</sup> / <sub>4</sub> " (856.6)
E	Altura de la caja del conducto	4" (101)	4" (101)
F	Altura de la caja	3 <sup>1</sup> / <sub>8</sub> " (80.5)	3 <sup>1</sup> / <sub>8</sub> " (80.5)



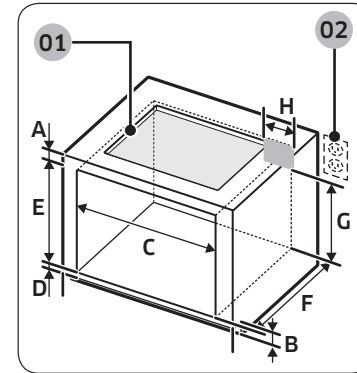
**IMPORTANTE:**

Si va a instalar una combinación de campana para estufa o campana para microondas sobre la cubierta, siga las instrucciones de instalación de dicha campana para conocer las dimensiones y el espacio libre por encima de la superficie de la cubierta.



	NZ30K***** (30")	NZ36K***** (36")
A	28 <sup>1</sup> / <sub>2</sub> " - 28 <sup>11</sup> / <sub>16</sub> " (724 mm - 728 mm)	33 <sup>7</sup> / <sub>8</sub> " - 34" (860 mm - 864 mm)
B	19 <sup>9</sup> / <sub>16</sub> " - 19 <sup>5</sup> / <sub>8</sub> " (497.4 mm - 499.4 mm)	19 <sup>1</sup> / <sub>8</sub> " - 19 <sup>3</sup> / <sub>16</sub> " (485.6 mm - 487.6 mm)
C	Mín. 1 <sup>1</sup> / <sub>8</sub> " (28 mm). Entre la abertura recortada y la pared detrás de la cubierta	
D	Mín. 1 <sup>1</sup> / <sub>2</sub> " (38 mm). Desde el borde delantero de la abertura recortada y desde el borde de la mesada	
E	Mín. 1" (26 mm). Distancia a la superficie combustible más cercana del lado izquierdo o derecho arriba de la cubierta	
F	Caja de empalmes o toma de 10" (254 mm) como máximo desde el lado derecho del gabinete	
G	Caja de empalmes o toma de 15" (381 mm) como mínimo desde la parte inferior de la mesada	

**Horno simple bajo mesada**

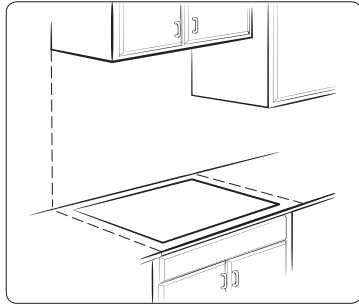


- 01** Consulte la instalación del horno empotrado para obtener instrucciones de instalación completas. Consulte la etiqueta en la parte superior de los modelos de horno empotrado aprobados.
- 02** Consulte el manual de instalación del horno.

	Tamaño
A	Mín. 3 <sup>3</sup> / <sub>4</sub> " (9.5 cm)
B	4" (10.1 cm)
C	Mín. 28 <sup>1</sup> / <sub>2</sub> " / Máx. 28 <sup>5</sup> / <sub>8</sub> " (Mín. 72.4 cm / Máx. 72.7 cm)
D	Mín. 1" / Máx. 1 <sup>1</sup> / <sub>4</sub> " (Mín. 2.5 cm / Máx. 3.2 cm)
E	Mín. 27 <sup>1</sup> / <sub>4</sub> " / Máx. 27 <sup>3</sup> / <sub>8</sub> " (Mín. 69.2 cm / Máx. 69.5 cm)
F	24" (61 cm)
G	Mín. 22" (Mín. 55.9 cm)
H	Máx. 9 <sup>1</sup> / <sub>2</sub> " (Máx. 24.1 cm) - Caja de empalmes

Requisitos de instalación

## Requisitos de instalación



Asegúrese de que los revestimientos de las paredes, la mesada y los gabinetes alrededor de la cubierta puedan soportar el calor (hasta 194 °F) que esta genera.

### NOTA

Si el gabinete tiene un cajón, se requiere un espacio de 127 mm (5") de profundidad como mínimo desde la parte inferior de la cubierta hasta la parte superior del cajón (u otra obstrucción) en la base del gabinete.

### IMPORTANTE:

La caja de empalmes debe estar ubicada en un lugar donde haya una considerable holgura en el conducto para realizar las tareas de servicio.

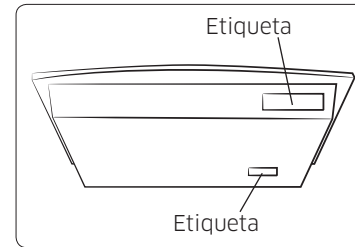
## Requisitos eléctricos

### ADVERTENCIA

#### Peligro de electrocución

Desconecte la alimentación antes de realizar tareas de mantenimiento o reparación. Utilice un cable de cobre macizo calibre 8.

Realice la conexión eléctrica a tierra de la cubierta.



- Consulte la etiqueta en la parte inferior o al frente de la cubierta para conocer los requisitos de energía o la información del modelo.

No seguir estas instrucciones puede provocar la muerte, un incendio o electrocución.

Si los códigos lo permiten y se emplea un cable a tierra separado, es recomendable que un electricista calificado determine si la trayectoria a tierra y el calibre del cable cumplen con los códigos locales.

Si no está seguro si la conexión a tierra de la cubierta está correctamente realizada, consulte a un electricista calificado.

Esta cubierta debe conectarse a un sistema de conexión a tierra permanente de metal. Asegúrese de que la conexión eléctrica y el tamaño del cable sean adecuados y que cumplan con la versión más reciente del Código eléctrico nacional ANSI/NFPA 70 o la norma C22 de CSA.

1-94, la versión más reciente del Código eléctrico de Canadá, Sección 1 y C22.2 No. 0-M91, y todos los códigos y ordenanzas locales.

Se puede obtener una copia de las normas mencionadas arriba en:

National Fire Protection Association  
1 Batterymarch Park  
Quincy, MA 02169-7471

CSA International  
8501 East Pleasant Valley Road  
Cleveland, OH 44131-5575

### Antes de realizar la conexión eléctrica:

Para instalar correctamente la cubierta, se debe determinar el tipo de conexión eléctrica que se va a usar y seguir las instrucciones proporcionadas aquí.

- Se requiere un suministro de energía de 3 o 4 conductores, monofásico, con **208 o 240 voltios de CA**, 60 Hz, en un **interruptor de doble polo** dedicado de por lo menos 40 amperios para la cubierta de 30", y de por lo menos 45 amperios para la cubierta de 36".

### NOTA

- La cubierta tiene una clasificación de 240 voltios. Algunos modelos disponen de un cable neutro (blanco).
- La cubierta debe estar conectada directamente a la caja de empalmes a través de un cable de cobre flexible, blindado o con revestimiento no metálico. El cable blindado flexible que se extiende desde la caja del disyuntor o la caja de fusibles debe conectarse directamente a la caja de empalmes.
- Ubique la caja de empalmes de modo tal que se permita la mayor holgura posible entre dicha caja y la cubierta para que pueda moverse fácilmente en caso de que sea necesario realizar tareas de servicio.
- No corte el conducto. Utilice la longitud del conducto proporcionada.
- Se requiere un conector de conductos aprobado por UL o CSA en cada extremo del cable de alimentación (en la cubierta y en la caja de empalmes). Se proporciona un conector de conductos aprobado con la cubierta.
- Si la casa tiene un cableado de aluminio, siga el procedimiento a continuación:
  1. Conecte un tramo de cable de cobre macizo a los conductores de coleta.
  2. Conecte el cableado de aluminio a la sección añadida de cable de cobre utilizando conectores especiales y/o herramientas diseñadas para unir cobre con aluminio aprobadas por UL.

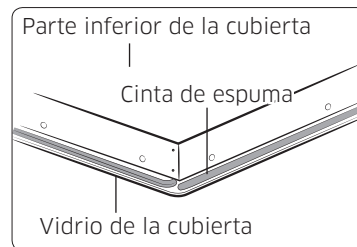
Siga el procedimiento recomendado por el fabricante del conector eléctrico. La conexión entre aluminio y cobre debe cumplir con los códigos locales y las prácticas de cableado aceptadas por la industria.

## Instrucciones de instalación

### Instalación de la cubierta

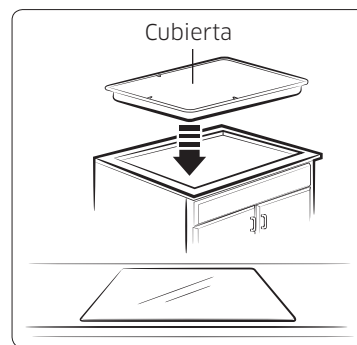
#### PASO 1 Preparación de la instalación

Decida la ubicación final de la cubierta. Evite perforar o cortar el cableado de la casa durante la instalación.



- 01 Con la ayuda de 2 personas o más, coloque la cubierta de cocción en posición invertida sobre una superficie cubierta utilizando los postes de espuma del embalaje.
- 02 La tira de espuma ayuda a evitar los daños en la parte inferior del vidrio de la cubierta ocasionados por la suciedad y permite que la cubierta quede plana sobre mesadas desniveladas.

#### PASO 2 Ubicación de la cubierta

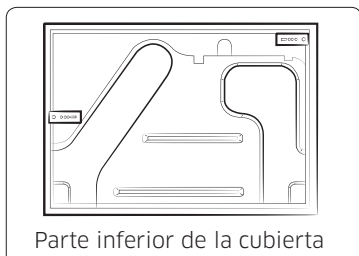


Inserte la cubierta centrada en la abertura cortada. Asegúrese de que la cubierta quede paralela al borde delantero de la mesada. Haga una verificación final de que se hayan cumplido todas las separaciones requeridas.

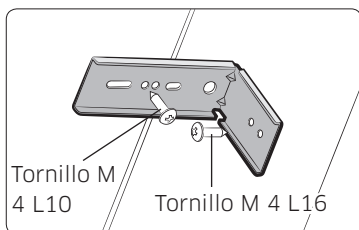
# Instrucciones de instalación

## PASO 3-1 Instalación de la guía del soporte principal

La guía del soporte se puede instalar después de haber colocado la cubierta dentro de la abertura recortada.



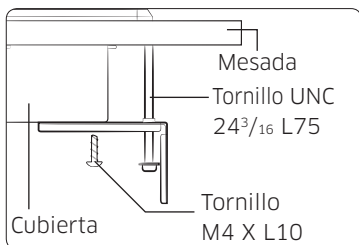
1. Fije la guía del soporte a la parte inferior de la cubierta y la pared lateral.
2. Haga coincidir el orificio del soporte y la parte inferior de la cubierta.
3. Apriete el tornillo lo suficiente para mantener el soporte en su lugar cuando la cubierta se coloque en la abertura recortada.
4. Con la ayuda de 2 personas o más, gire la cubierta con el lado derecho hacia arriba y colóquela en la abertura recortada.



### NOTA

Asegúrese de que el borde delantero de la cubierta quede paralelo al borde delantero de la mesada. Si se necesita un reposicionamiento, levante y retire la cubierta completa de la abertura recortada para evitar rayar la mesada.

## PASO 3-2 Instalación de la guía del soporte alternativa



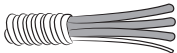
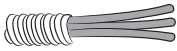
1. Fije la guía del soporte a la parte inferior y seleccione la ubicación del soporte.
2. Apriete el tornillo de la guía del soporte a la base de la cubierta.
3. Instale el tornillo UNC 24<sup>3</sup>/<sub>16</sub> L75 hasta que el soporte toque la parte inferior de la mesada.

Gire el tornillo moleteado hasta que el soporte toque la parte inferior de la mesada. No apriete demasiado.

## Conexión eléctrica

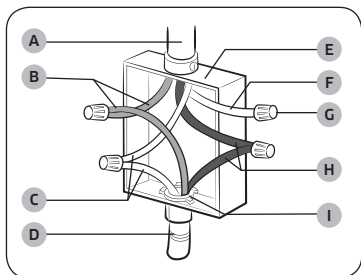
La cubierta está fabricada con un cable a tierra (desnudo o verde) conectado a su marco. Conecte el cable de la cubierta a la caja de empalmes a través de un conector de conductos aprobado por UL o CSA.

### Opciones de conexión eléctrica

Si en su casa tiene:	Y se conectará a:	Vaya a la sección:
4 conectores, directo 	Una caja de desconexión con fusibles o disyuntor	Cable de 4 conductores del suministro eléctrico al cable de 3 conductores de la cubierta
3 conectores, directo 	Una caja de desconexión con fusibles o disyuntor	Cable de 3 conductores del suministro eléctrico al cable de 3 conductores de la cubierta

### Cable de 4 conductores del suministro eléctrico al cable de 3 conductores de la cubierta

**IMPORTANTE:** Utilice el cable de 4 conductores del suministro eléctrico cuando los códigos locales no permitan conectar el conductor a tierra del marco al cable neutro (N) de la caja de empalmes.



- A. Cable de 4 conductores del suministro eléctrico
- B. Cables L1
- C. Tierra (G) o cable a tierra desnudo (de la cubierta)
- D. Cable de 3 conductores de la cubierta
- E. Caja de empalmes
- F. Cable N (normalmente blanco) (del suministro eléctrico)
- G. Conector de cables aprobado por UL
- H. Cables L2 (normalmente rojos)
- I. Conector de conductos aprobado por UL o CSA

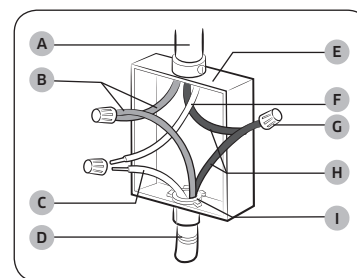
1. Desconecte el suministro eléctrico.
2. Quite la tapa de la caja de empalmes, si está presente.
3. Conecte el conducto del cable flexible de la cubierta a la caja de empalmes a través de un conector de conductos aprobado por UL o CSA.
4. Apriete los tornillos en el conector de conductos, si están presentes.
5. Conecte los dos cables L2 juntos utilizando los conectores de cables aprobados por UL.
6. Conecte los dos cables L1 juntos utilizando los conectores de cables aprobados por UL.
7. Conecte la Tierra (G) o el cable a tierra desnudo de la cubierta a la Tierra (G) o el cable a tierra desnudo en la caja de empalmes a través de un conector de cables aprobado por UL.
8. Coloque un conector de cables aprobado por UL en el extremo del cable neutro (N).
9. Instale la tapa de la caja de empalmes.
10. Vuelva a conectar el suministro eléctrico.

#### NOTA

- Por lo general, el cable L1 es negro, el L2 es rojo, la Tierra (G) o el cable a tierra desnudo es verde y el neutro (N) es blanco.
- No conecte el cable a tierra desnudo al cable neutro (N) en la caja de empalmes.

### Cable de 3 conductores del suministro eléctrico al cable de 3 conductores de la cubierta

**IMPORTANTE:** cuando lo permitan los códigos locales, se puede utilizar un cable de 3 conductores para el suministro de energía. En esos casos, conecte el cable a tierra de la cubierta al cable neutro de la caja de empalmes.



- A. Cable de 3 conductores del suministro eléctrico
- B. Cables L1
- C. Tierra (G) o cable a tierra desnudo (de la cubierta)
- D. Cable de 3 conductores de la cubierta
- E. Caja de empalmes
- F. Cable N (normalmente blanco) (del suministro eléctrico)
- G. Conector de cables aprobado por UL
- H. Cables L2 (normalmente rojos)
- I. Conector de conductos aprobado por UL o CSA

1. Desconecte el suministro eléctrico.
2. Quite la tapa de la caja de empalmes, si está presente.
3. Conecte el conducto del cable flexible de la cubierta a la caja de empalmes a través de un conector de conductos aprobado por UL o CSA.
4. Apriete los tornillos en el conector de conductos, si están presentes.
5. Conecte los dos cables L2 juntos utilizando los conectores de cables aprobados por UL.
6. Conecte los dos cables L1 juntos utilizando los conectores de cables aprobados por UL.
7. Conecte la Tierra (G) o el cable a tierra desnudo de la cubierta a la Tierra (G) o el cable a tierra desnudo en la caja de empalmes a través de un conector de cables aprobado por UL.
8. Instale la tapa de la caja de empalmes.
9. Vuelva a conectar el suministro eléctrico.

# Instrucciones de instalación

---

## Completar la instalación

---

1. Compruebe que todas las piezas estén instaladas. Si hay alguna pieza extra, vuelva a revisar todos los pasos para ver si se ha omitido alguno.
2. Compruebe que dispone de todas las herramientas.
3. Deseche/recicle todos los materiales de empaque.
4. Use una solución suave o un limpiador doméstico líquido y agua tibia para limpiar la cubierta antes de usarla. Seque bien con un paño suave. Para obtener más información, consulte el Manual del usuario.
5. Vuelva a conectar el suministro eléctrico.

### Si necesita ayuda o servicio técnico:

Consulte el "Manual de Usuario" o póngase en contacto con el distribuidor al que le compró la cubierta.

# Notas

---



Scan this with your smartphone

Escanee el código QR\* o visite  
[www.samsung.com/spsn](http://www.samsung.com/spsn)  
para ver nuestros útiles  
videos instructivos y programas en vivo  
\*Requiere un lector instalado en su teléfono  
inteligente

## ¿TIENE PREGUNTAS O COMENTARIOS?

PAÍS	LLAME AL	O VISÍTENOS EN LÍNEA EN
U.S.A Consumer Electronics	1-800-SAMSUNG (726-7864)	<a href="http://www.samsung.com/us/support">www.samsung.com/us/support</a>
CANADA	1-800-SAMSUNG (726-7864)	<a href="http://www.samsung.com/ca/support">www.samsung.com/ca/support</a> (English) <a href="http://www.samsung.com/ca_fr/support">www.samsung.com/ca_fr/support</a> (French)



DG68-00827A-05



# Table de cuisson électrique

---

## Manuel d'installation

NZ30K7880\*\*/NZ36K7880\*\*

---



**SAMSUNG**

## Table des matières

Informations importantes relatives à la sécurité	2
Conditions d'installation	3
Outils et pièces	3
Conditions d'emplacement	4
Dimensions de l'appareil	4
Exigences en matière de raccordement électrique	6
Consignes d'installation	7
Installation de la table de cuisson	7
Réalisation du branchement électrique	8
Achèvement de l'installation	10

## Informations importantes relatives à la sécurité

### Pour votre sécurité

- Pour votre sécurité, retirez le fusible de l'installation électrique ou ouvrez le disjoncteur avant de commencer l'installation.  
Le non-respect de cette consigne pourrait entraîner des blessures graves voire mortelles.
- Assurez-vous que votre table de cuisson est correctement installée par un installateur qualifié ou un technicien spécialisé.
- Pour éliminer tout risque de brûlure ou d'incendie en accédant à l'espace situé au-dessus des foyers de surface chauds, évitez d'y aménager tout meuble de rangement. Si, toutefois, un meuble de rangement est nécessaire, réduisez ce risque en installant une hotte d'aspiration assurant une protection horizontale d'au moins 5" au-delà du dessous du meuble. L'installation d'un meuble au-dessus de la table de cuisson ne peut pas être supérieure à 13" de profondeur.
- Assurez-vous que les revêtements du meuble et du mur situés autour de la table de cuisson peuvent résister aux températures générées par la table de cuisson (pouvant aller jusqu'à 194 °F).
- La table de cuisson doit être facile d'accès et éclairée par la lumière naturelle en journée.
- Débranchez toujours l'alimentation électrique sur la table de cuisson avant toute réparation ou opération d'entretien sur la table de cuisson. Pour cela, vous pouvez déconnecter le fusible ou le disjoncteur. Le non-respect de cette consigne pourrait entraîner une électrocution dangereuse voir mortelle. Assurez-vous de savoir où se trouve le sectionneur principal. Si vous ne le savez pas, demandez à votre électricien de vous le montrer.

## Pour votre sécurité

Cet appareil doit être alimenté par la fréquence et la tension adaptées. Il doit également être branché sur un circuit individuel correctement mis à la terre et protégé par un disjoncteur de 40 A ou par un disjoncteur temporisé, comme indiqué sur la plaque signalétique.

Nous vous recommandons de demander à un électricien qualifié de brancher pour vous le câblage électrique et d'effectuer les branchements de votre table de cuisson. Une fois l'installation effectuée, demandez à l'électricien de vous montrer l'emplacement du sectionneur principal de votre table de cuisson.

Le câblage des conduits de la table de cuisson est approuvé uniquement pour un branchement à fils de cuivre et, si votre domicile possède du câblage en aluminium, vous devez utiliser des connecteurs spéciaux approuvés UL pour relier le cuivre à l'aluminium.

## ⚠ AVERTISSEMENT

Si vous ne respectez pas scrupuleusement les informations contenues dans ce manuel, vous risquez de provoquer un incendie ou un choc électrique et, par conséquent, des dégâts matériels, blessures ou accidents mortels.

## ⚠ AVERTISSEMENT

Avant de commencer l'installation, coupez l'alimentation au panneau de commande et verrouillez l'interrupteur permettant la mise hors tension ; cette précaution évitera toute mise sous tension accidentelle de l'appareil. Si vous ne parvenez pas à verrouiller l'interrupteur permettant la mise hors tension, fixez fermement au panneau de commande un dispositif d'avertissement bien visible.

## ⚠ AVERTISSEMENT

Cet appareil doit être correctement relié à la terre.

## Conditions d'installation

### Outils et pièces

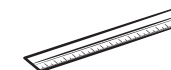
#### Outils nécessaires



Crayon



Tournevis cruciforme



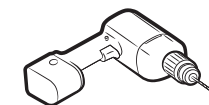
Règle ou règle rectifiée



Lunettes de sécurité



Scie sauteuse



Perceuse à main ou électrique avec foret de 1/8"

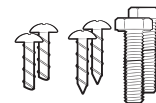
#### Pièces requises

- Un connecteur répertorié UL ou homologué CSA pour conduit de 1/2" (1,3 cm) de diamètre
- Serre-fils répertoriés UL

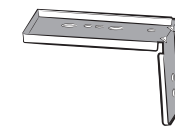
Vérifiez les normes locales. Vérifiez l'alimentation électrique existante. Reportez-vous à la section « Exigences en matière de raccordement électrique ».

Il est recommandé de confier la réalisation de tous les branchements électriques à un installateur électricien qualifié et certifié.

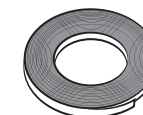
#### Pièces incluses avec le produit



6 vis  
(2 vis M4 L10,  
2 vis M4 L16,  
2 vis UNC 24<sup>3</sup>/<sub>16</sub> L75)



Guide de support :  
2 pièces



Isolant adhésif

## Conditions d'installation

### Conditions d'emplacement

**IMPORTANT :** Respectez tous les codes et règlements en vigueur.

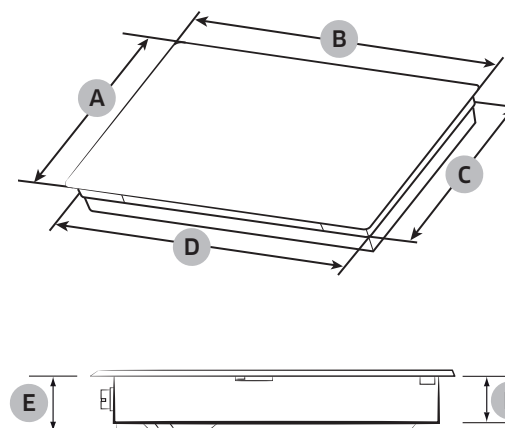
- Les dimensions d'ouverture du meuble indiquées doivent être utilisées. L'emplacement d'installation encastrée doit disposer d'un coffret complet faisant le tour de la partie encastrée de la table de cuisson.
- Une alimentation électrique mise à la terre est requise. Reportez-vous à la section « Exigences en matière de raccordement électrique ».

#### REMARQUE

Il est recommandé d'installer une boîte de jonction sur le côté droit du meuble. Si vous installez la boîte de jonction près du côté gauche, assurez-vous que la boîte de jonction n'interfère pas avec la table de cuisson (en dissimulant la boîte de jonction à l'intérieur du mur).

**IMPORTANT :** Afin d'éviter tout endommager de vos meubles, vérifiez avec votre constructeur ou avec le fournisseur du meuble que les matériaux utilisés ne se décolorent pas, ne se délaminent pas ou ne subiront aucun autre endommagement. Cette table de cuisson a été conçue conformément aux exigences des réglementations internationales UL et CSA et est conforme à la température maximale admissible de 194 °F (90 °C) pour un meuble en bois.

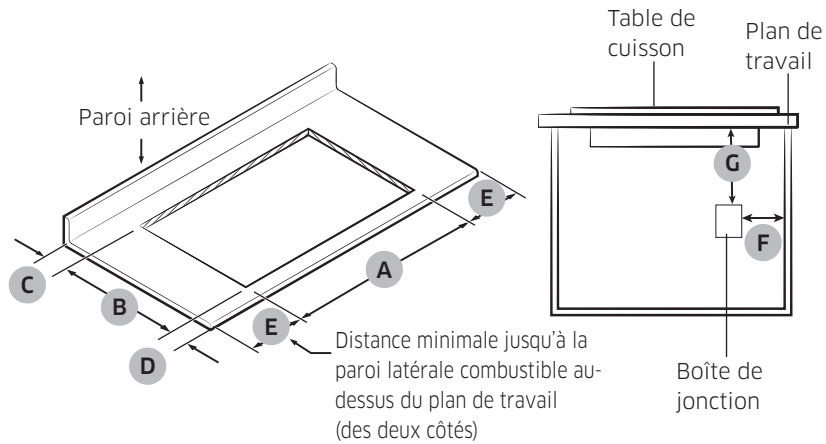
### Dimensions de l'appareil



Châssis		30" (mm)	36" (mm)
A	Profondeur du cadre	21 <sup>1</sup> / <sub>4</sub> " (540)	21 <sup>1</sup> / <sub>4</sub> " (540)
B	Largeur du cadre	30" (762)	36" (914,4)
C	Profondeur du coffret	19 <sup>1</sup> / <sub>2</sub> " (494,6)	19" (481,6)
D	Largeur du coffret	28 <sup>3</sup> / <sub>8</sub> " (720)	33 <sup>3</sup> / <sub>4</sub> " (856,6)
E	Hauteur du coffret pour conduits	4" (101)	4" (101)
F	Hauteur du coffret	3 <sup>1</sup> / <sub>8</sub> " (80,5)	3 <sup>1</sup> / <sub>8</sub> " (80,5)

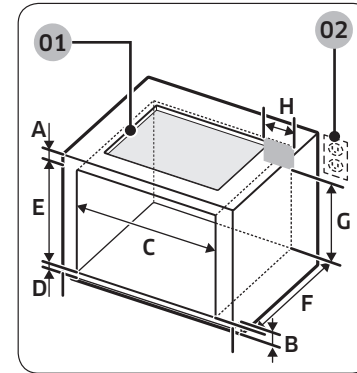
### IMPORTANT :

Si vous installez une hotte pour cuisinière/pour micro-ondes au-dessus de la table de cuisson, suivez les instructions d'installation de la hotte pour cuisinière ou de la hotte pour micro-ondes concernant les dimensions et les dégagements requis au-dessus de la surface de la table de cuisson.



	NZ30K***** (30")	NZ36K***** (36")
A	28 <sup>1</sup> / <sub>2</sub> " - 28 <sup>11</sup> / <sub>16</sub> " (724 mm - 728 mm)	33 <sup>7</sup> / <sub>8</sub> " - 34" (860 mm - 864 mm)
B	19 <sup>9</sup> / <sub>16</sub> " - 19 <sup>5</sup> / <sub>8</sub> " (497,4 mm - 499,4 mm)	19 <sup>1</sup> / <sub>8</sub> " - 19 <sup>3</sup> / <sub>16</sub> " (485,6 mm - 487,6 mm)
C	Minimum 1 <sup>1</sup> / <sub>8</sub> " (28 mm). Entre le découpage de l'emplacement de la table de cuisson et le mur derrière la table de cuisson	
D	Minimum 1 <sup>1</sup> / <sub>2</sub> " (38 mm). À partir de l'arête avant du découpage de l'emplacement de la table de cuisson et le rebord antérieur du plan de travail	
E	Minimum 1" (26 mm). Distance la plus proche de la surface combustible côté gauche et droit au-dessus de la table de cuisson	
F	Distance maximale de la boîte de jonction ou de la sortie de 10" (254 mm) à partir du côté droit du meuble	
G	Distance maximale de la boîte de jonction ou de la sortie de 15" (381 mm) à partir du bas du plan de travail	

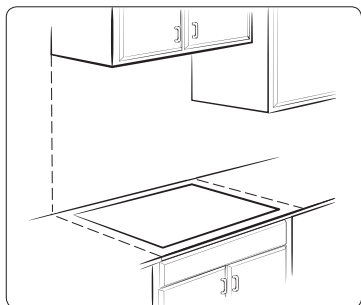
### Four simple sous le plan de travail



- 01 Reportez-vous à la procédure d'installation du four encastré pour connaître les instructions d'installation complètes. Reportez-vous à l'étiquette apposée sur les modèles approuvés de four encastré.
- 02 Reportez-vous au manuel d'installation du four.

	Dimensions
A	Mini. 3 <sup>3</sup> / <sub>4</sub> " (9,5 cm)
B	4" (10,1 cm)
C	Mini. 28 <sup>1</sup> / <sub>2</sub> " / Maxi. 28 <sup>5</sup> / <sub>8</sub> " (Mini. 72,4 cm / Maxi. 72,7 cm)
D	Mini. 1" / Maxi. 1 <sup>1</sup> / <sub>4</sub> " (Mini. 2,5 cm / Maxi. 3,2 cm)
E	Mini. 27 <sup>1</sup> / <sub>4</sub> " / Maxi. 27 <sup>3</sup> / <sub>8</sub> " (Mini. 69,2 cm / Maxi. 69,5 cm)
F	24" (61 cm)
G	Mini. 22" (Mini. 55,9 cm)
H	Maxi. 9 <sup>1</sup> / <sub>2</sub> " (Maxi. 24,1 cm) - Caja de empalmes

## Conditions d'installation



Assurez-vous que le revêtement mural, le plan de travail et les meubles situés autour de la table de cuisson peuvent résister à la chaleur générée par la table de cuisson (pouvant aller jusqu'à 194 °F).

### REMARQUE

Si le meuble dispose d'un tiroir, un dégagement minimum de 127 mm (5") en profondeur est requis du bas de la table de cuisson au haut du tiroir (ou de tout autre obstacle).

### IMPORTANT :

La boîte de jonction doit se trouver à un endroit laissant une marge considérable dans le conduit pour pouvoir y accéder.

## Exigences en matière de raccordement électrique

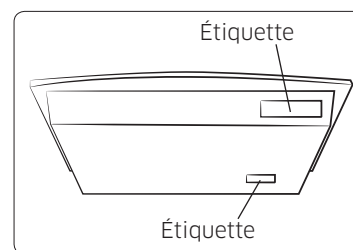
### AVERTISSEMENT

#### Risque d'électrocution

Coupez l'alimentation avant toute opération d'entretien.

Utilisez un fil en cuivre solide de calibre 8.

Raccordez la table de cuisson à la terre.



- Reportez-vous à l'étiquette située en bas ou à l'avant de la table de cuisson pour connaître les exigences en matière de raccordement électrique ou obtenir des informations relatives au modèle.

Le non-respect de ces consignes peut entraîner un incendie ou une électrocution et avoir des conséquences mortelles.

Si les lois le permettent et si un fil de mise à la terre séparé est utilisé, il est recommandé qu'un installateur électrique qualifié détermine si le chemin de mise à la terre et le calibre de fils sont conformes aux normes locales.

Si vous n'êtes pas sûr que la table de cuisson soit correctement mise à la terre, vérifiez-le avec un installateur électrique qualifié.

Cette table de cuisson doit être raccordée à un système métallique de câblage permanent mis à la terre. Assurez-vous que le branchement électrique et la taille des fils sont adéquats et conformes au Code national électrique, à la dernière édition de la réglementation ANSI/NFPA 70 ou aux normes de la CSA C22.

1-94, au code électrique canadien Partie 1 et à la dernière édition de la réglementation C22.2 n°O-M91, ainsi qu'à toutes les normes locales.

Une copie des normes susmentionnées peut être demandée auprès de :

National Fire Protection Association  
1 Batterymarch Park  
Quincy, MA 02169-7471

CSA International  
8501 East Pleasant Valley Road  
Cleveland, OH 44131-5575

### Avant d'effectuer le branchement électrique :

Pour installer correctement votre table de cuisson, vous devez déterminer le type de branchement électrique que vous utiliserez et suivre les instructions fournies dans le présent document pour cette opération.

- Une alimentation 3 fils ou 4 fils, monophasée, de **208 ou 240 V CA**, 60 Hz est requise sur un **disjoncteur bipolaire** dédié d'au moins 40 ampères pour la table de cuisson 30", et d'au moins 45 ampères pour la table de cuisson 36".

### REMARQUE

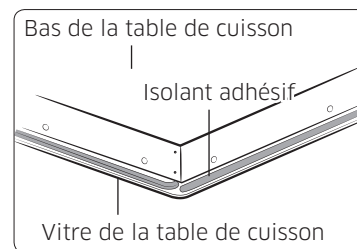
- La tension nominale de la table de cuisson est de 240 V. Certains modèles sont dotés d'un fil neutre (blanc).
- La table de cuisson doit être reliée directement à la boîte de jonction via un câble flexible, armé ou gainé non métallique, en cuivre. Le câble armé flexible servant de rallonge à partir de la boîte à fusibles ou du coffret du disjoncteur doit être branché directement sur la boîte de jonction.
- Placez la boîte de jonction de sorte de laisser autant de marge que possible entre le coffret de la boîte de jonction et la table de cuisson, afin que la table de cuisson puisse être déplacée si son entretien devait être nécessaire par le futur.
- Ne coupez pas le conduit. Utilisez la longueur de conduit fournie.
- Un connecteur de conduit répertorié UL ou homologué CSA est nécessaire à chaque extrémité du câble d'alimentation (sur la table de cuisson et sur la boîte de jonction). Un connecteur de conduit répertorié est déjà fourni sur la table de cuisson.
- Si votre domicile possède du câblage en aluminium, suivez la procédure ci-dessous :
  1. Reliez une partie du fil solide en cuivre sur les câbles en tire-bouchon.
  2. Branchez le câblage en aluminium sur la partie ajoutée de fil en cuivre, à l'aide de connecteurs spéciaux et/ou d'outils adaptés et répertoriés UL pour relier le cuivre à l'aluminium.Suivez la procédure recommandée du fabricant du connecteur électrique. La connexion aluminium/cuivre doit être conforme aux normes locales et aux pratiques de câblage acceptées dans le secteur.

## Consignes d'installation

### Installation de la table de cuisson

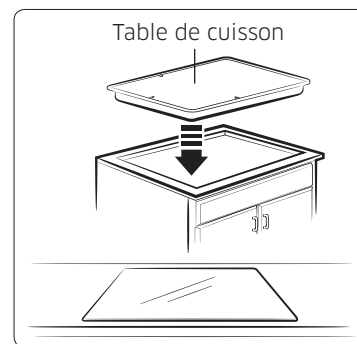
#### ÉTAPE 1 Préparation de l'installation

Déterminez l'emplacement final de la table de cuisson. Évitez de percer ou de couper le câblage du domicile lors de l'installation.



- 01 Avec l'aide de 2 personnes ou plus, retournez la table de cuisson à l'envers sur une surface protégée avec les montants de protection en mousse présents dans l'emballage.
- 02 La bande de mousse aide à éviter d'endommager le dessous de la vitre de la table de cuisson avec des débris. Elle aide également à poser bien à plat la table de cuisson sur des comptoirs irréguliers.

#### ÉTAPE 2 Placement de la table de cuisson

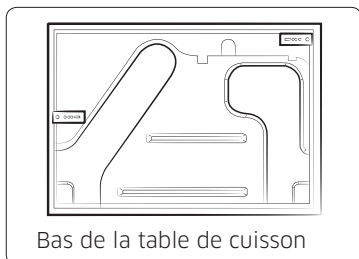


Insérez la table de cuisson de façon centrée dans le découpage de l'emplacement de la table de cuisson. Assurez-vous que la table de cuisson est parallèle au rebord antérieur du plan de travail. Faites un contrôle final pour vérifier que tous les dégagements requis sont respectés.

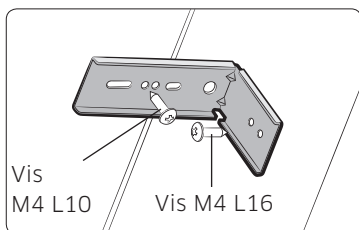
# Consignes d'installation

## ÉTAPE 3-1 Installation du guide de support principal

Le guide de support peut être installé une fois la table de cuisson placée dans le découpage.



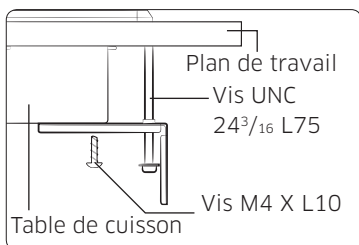
1. Fixez le guide de support au bas de la table de cuisson et sur le côté de la paroi.
2. Ajustez pour faire correspondre l'orifice du support et le bas de la table de cuisson.
3. Serrez la vis suffisamment pour maintenir le support en place lorsque la table de cuisson sera placée dans le découpage de son emplacement.
4. Avec l'aide de 2 personnes ou plus, retournez la table de cuisson à l'endroit et placez-la dans le découpage de son emplacement.



### REMARQUE

Assurez-vous que l'arête avant de la table de cuisson est parallèle au rebord antérieur du plan de travail. Si un repositionnement est nécessaire, soulevez l'ensemble de la table de cuisson pour la retirer du découpage de son emplacement, afin d'éviter de rayer le plan de travail.

## ÉTAPE 3-2 Installation du guide de support secondaire



1. Fixez le guide de support en bas et choisissez l'emplacement du support.
2. Serrez la vis du guide de support sur la base de la table de cuisson.
3. Installez la UNC 24<sup>3</sup>/<sub>16</sub> L75 jusqu'à ce que le support touche le bas du plan de travail.

Tournez la vis à serrage à main jusqu'à ce que le support touche le bas du plan de travail. Ne la serrez pas excessivement.

## Réalisation du branchement électrique

Cette table de cuisson est conçue avec un fil de mise à la terre (dénudé ou vert) branché sur le cadre de la table de cuisson. Branchez le câble de la table de cuisson sur la boîte de jonction via le connecteur de conduit répertorié UL ou homologué CSA.

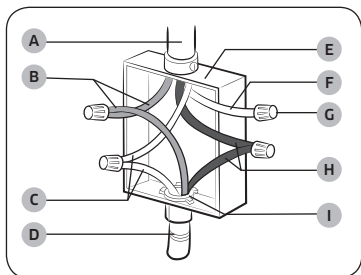
### Options de raccordement électrique

Si votre domicile possède :	Et vous allez effectuer un raccordement à :	Reportez-vous à la section :
Une alimentation directe 4 fils 	Un coffret de sectionneur à fusible ou de disjoncteur	Câble 4 fils depuis l'alimentation au câble 3 fils depuis la table de cuisson
Une alimentation directe 3 fils 	Un coffret de sectionneur à fusible ou de disjoncteur	Câble 3 fils au niveau de l'alimentation au câble 3 fils au niveau de la table de cuisson



### Câble 4 fils au niveau de l'alimentation au câble 3 fils au niveau de la table de cuisson

**IMPORTANT :** Utilisez le câble 4 fils depuis l'alimentation lorsque les normes locales ne permettent pas de relier le connecteur de mise à la terre du cadre au fil neutre (N) de la boîte de jonction.



- A. Câble 4 fils au niveau de l'alimentation
- B. Fils L1
- C. Masse (G) ou fil de mise à la terre dénudé (au niveau de la table de cuisson)
- D. Câble 3 fils au niveau de la table de cuisson
- E. Boîte de jonction
- F. Fil N (normalement blanc) (depuis l'alimentation)
- G. Serre-fils répertorié UL
- H. Fils L2 (normalement rouges)
- I. Connecteur de conduit répertorié UL ou homologué CSA

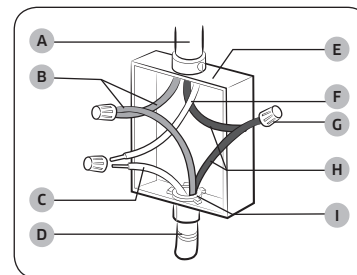
1. Coupez l'alimentation.
2. Retirez le cache de la boîte de jonction s'il est présent.
3. Raccordez le conduit de câble flexible de la table de cuisson à la boîte de jonction, à l'aide d'un connecteur de conduit répertorié UL ou homologué CSA.
4. Serrez les vis sur le connecteur de conduit, si elles sont présentes.
5. Branchez les deux fils L2 ensemble à l'aide des serre-fils répertoriés UL.
6. Branchez les deux fils L1 ensemble à l'aide des serre-fils répertoriés UL.
7. Reliez la masse (G) ou le fil de mise à la terre dénudé du câble de la table de cuisson à la masse (G) ou au fil de mise à la terre dénudé (dans la boîte de jonction), à l'aide d'un serre-fils répertorié UL.
8. Placez un serre-fils répertorié UL sur l'extrémité du fil neutre (N).
9. Remettez le cache de la boîte de jonction en place.
10. Rallumez l'alimentation.

#### REMARQUE

- Généralement, L1 est noir, L2 est rouge, la masse (G) est un fil vert ou dénudé et le neutre (N) est un fil blanc.
- Ne reliez pas le fil de mise à la terre dénudé au fil neutre (N) dans la boîte de jonction.

### Câble 3 fils au niveau de l'alimentation au câble 3 fils au niveau de la table de cuisson

**IMPORTANT :** lorsque les normes locales le permettent, vous pouvez utiliser un câble 3 fils pour fournir l'alimentation. Dans ce cas, reliez le fil de mise à la terre au fil neutre au niveau de la boîte de jonction.



- A. Câble 3 fils au niveau de l'alimentation
- B. Fils L1
- C. Masse (G) ou fil de mise à la terre dénudé (au niveau de la table de cuisson)
- D. Câble 3 fils au niveau de la table de cuisson
- E. Boîte de jonction
- F. Fil N (normalement blanc) (depuis l'alimentation)
- G. Serre-fils répertorié UL
- H. Fils L2 (normalement rouges)
- I. Connecteur de conduit répertorié UL ou homologué CSA

1. Coupez l'alimentation.
2. Retirez le cache de la boîte de jonction, s'il est présent.
3. Raccordez le conduit de câble flexible de la table de cuisson à la boîte de jonction, à l'aide d'un connecteur de conduit répertorié UL ou homologué CSA.
4. Serrez les vis sur le connecteur de conduit, si elles sont présentes.
5. Branchez les deux fils L2 ensemble à l'aide des serre-fils répertoriés UL.
6. Branchez les deux fils L1 ensemble à l'aide des serre-fils répertoriés UL.
7. Reliez la masse (G) ou le fil de mise à la terre dénudé du câble de la table de cuisson à la masse (G) ou au fil de mise à la terre dénudé (dans la boîte de jonction), à l'aide d'un serre-fils répertorié UL.
8. Remettez le cache de la boîte de jonction en place.
9. Rallumez l'alimentation.

# Consignes d'installation

---

## Achèvement de l'installation

---

1. Vérifiez que toutes les pièces sont maintenant installées. S'il vous reste des pièces, parcourez à nouveau les étapes pour voir si vous n'avez pas sauté des étapes.
2. Vérifiez que vous avez tous vos outils.
3. Jetez/Recyclez tous les matériaux d'emballage.
4. Utilisez une solution douce ou un produit de nettoyage domestique liquide, ainsi que de l'eau chaude, pour nettoyer la table de cuisson avant utilisation. Séchez-la soigneusement à l'aide d'un chiffon doux. Pour en savoir plus, reportez-vous au manuel d'utilisation.
5. Rallumez l'alimentation.

### Si vous avez besoin d'aide ou si vous devez faire appel à un réparateur :

Veillez vous reporter au « Manuel d'utilisation » ou prendre contact avec le revendeur auprès duquel la table de cuisson a été achetée.

# Notes

---



Scan this with your smartphone

Scannez le code QR\* ou rendez-vous sur le site [www.samsung.com/spsn](http://www.samsung.com/spsn) pour voir nos vidéos et démonstrations en direct d'utilisation. \*Requiert l'installation d'un lecteur sur votre smartphone

## UNE QUESTION ? UN COMMENTAIRE ?

PAYS	N° DE TÉLÉPHONE	SITE INTERNET
U.S.A Consumer Electronics	1-800-SAMSUNG (726-7864)	<a href="http://www.samsung.com/us/support">www.samsung.com/us/support</a>
CANADA	1-800-SAMSUNG (726-7864)	<a href="http://www.samsung.com/ca/support">www.samsung.com/ca/support</a> (English) <a href="http://www.samsung.com/ca_fr/support">www.samsung.com/ca_fr/support</a> (French)



DG68-00827A-05