

# NE597NOPBSR

5.9 cu. ft. Freestanding Induction Range with True Convection

## Features

- Four Induction Elements (Flex CookZone™ 11" and 7")
- True Convection Oven (3-Fan)
- Large Oven Capacity – 5.9 cu. ft.
- SteamQuick™ (20 min. Oven Cleaning) and Self Clean
- Four Preset Menu Cook Options
- Boil Alert
- Warming Drawer

## Convenience

- Hot Surface Indicator Light
- Auto Oven Light
- Proofing
- Sabbath Mode
- Kitchen Timer
- Delay Start
- Child Safety Lock
- 2 Chrome Oven Racks plus 1 Split Rack
- Hidden Heating Element



Induction Cooktop



Flex CookZone™

## Available Color:



Stainless Steel

## Signature Features

### INDUCTION COOKTOP

- Induction cooking focuses the most heat directly to the pot so that you can boil and cook faster, plus simmer with more control. Induction cooking uses heat more efficiently as compared to electric and gas.

### FLEX COOKZONE™

- A large 10" x 17" area fits oversized pans that don't fit on most stovetops.

### BOIL ALERT

- Convenient Boiling Sensor alerts you when water boils and automatically reduces heat to a preset heat level.



Ranked **"Highest in Customer Satisfaction with Ranges, Cooktops and Ovens"** by J.D. Power and Associates.

**SAMSUNG**

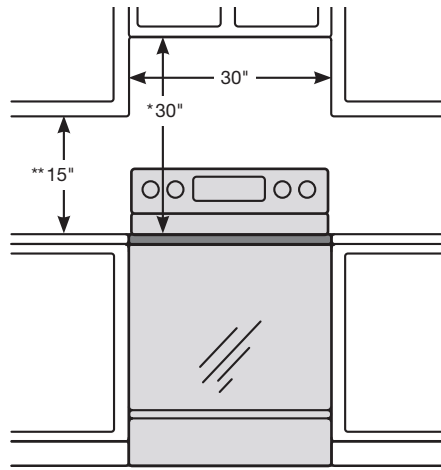
# NE597NOPBSR

## 5.9 cu. ft. Freestanding Induction Range with True Convection

### Installing Your Range

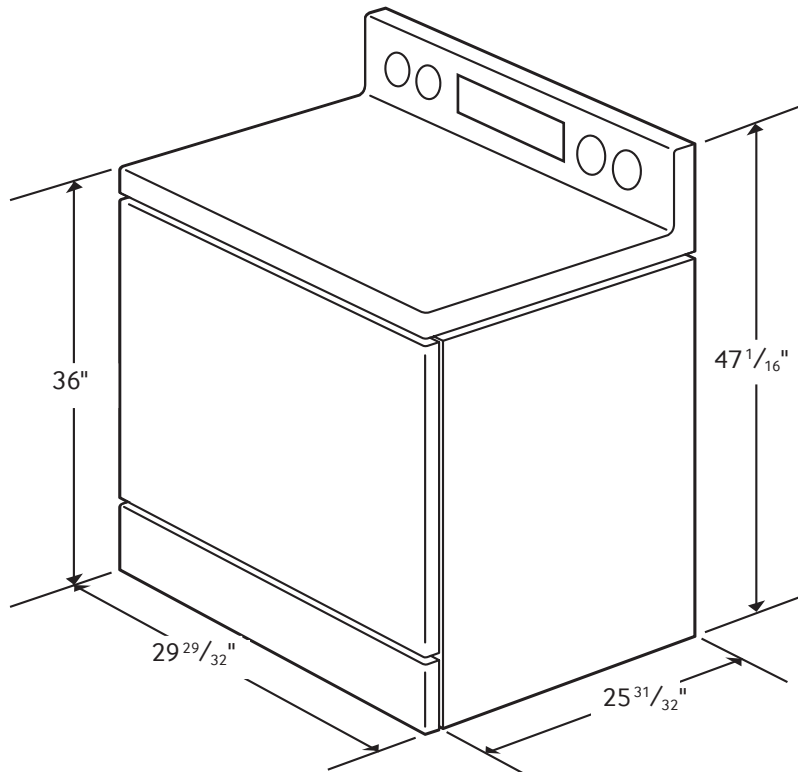
\*30" minimum clearance between the top of the cooking surface and the bottom of an unprotected wood or metal cabinet; or 24" minimum when the bottom of the wood or metal cabinet is protected by not less than 1/4" flame retardant millboard covered with not less than no.28 MSG sheet steel, 0.015" stainless steel, 0.024" aluminum or 0.020" copper.

\*\*15" minimum between the countertop and the adjacent cabinet bottom.



**IMPORTANT:** To eliminate the risk of burns or fire caused by reaching over heated surface units, cabinet storage space located above the surface units should be avoided. If cabinet storage is to be provided, the risk can be reduced by installing a range hood that projects horizontally a minimum of 5" beyond the bottom of the cabinets.

### Dimensions



### Power Source

240 V/60 Hz

### Induction Ceramic Cooktop

- Flex CookZone™ 4.6 KW
- Induction 11", 3.4 KW – Boost
- Induction 7", 3.4 KW – Boost

### Oven

- Hidden Bake Element: 3000 W
- Convection Bake: 150°F - 550°F
- Convection Roast: 150°F - 550°F
- Broil Element: 3800 W
- Convection Element/Heater: 1300 W
- Broil: Low/Hi (375°F - 450°F)
- Proofing
- Sabbath Mode

### Warranty

One (1) Year All Parts and Labor  
Five (5) Years Electric Cooktop

### Product Dimensions & Weight (WxHxD)

Actual Oven Dimensions:

25" x 20<sup>25</sup>/<sub>32</sub>" x 18<sup>15</sup>/<sub>16</sub>"

Outside Net Dimensions:

29<sup>29</sup>/<sub>32</sub>" x 47<sup>1</sup>/<sub>16</sub>" x 25<sup>31</sup>/<sub>32</sub>"

Weight: 197 lbs.

### Shipping Dimensions & Weight (WxHxD)

Dimensions:

32<sup>7</sup>/<sub>8</sub>" x 50<sup>13</sup>/<sub>32</sub>" x 30<sup>1</sup>/<sub>8</sub>"

Weight: 227 lbs.

Color

Stainless Steel

Model #

NE597N0PBSR

UPC Code

036725570764

**SAMSUNG**

Samsung received the highest numerical score for ranges, cooktops and ovens in the proprietary J.D. Power 2014 Kitchen Appliance Study™. Study based on 15,380 total responses measuring 17 ranges, cooktops and oven brands and measures opinions of consumers about their new appliance purchased in the past 24 months. Proprietary study results are based on experiences and perceptions of consumers surveyed in January-March 2014. Your experiences may vary. Visit [jdpower.com](http://jdpower.com).

Actual color may vary. Design, specifications, and color availability are subject to change without notice. Non-metric weights and measurements are approximate.

©2014 Samsung Electronics America, Inc. 85 Challenger Road, Ridgefield Park, NJ 07660. Tel: 800-SAMSUNG. [samsung.com](http://samsung.com). Samsung is a registered trademark of Samsung Electronics Co. Ltd.