

NE597R0ABSR

5.9 cu. ft. Freestanding Electric Range

Features

- Five Electric Cooktop Elements:
 - One Triple Burner (12"/9"/6")
 - One Dual Burner (9"/6")
 - Two Single Burners (6")
 - Warming Center
- True Convection Oven (3-Fan)
- SteamQuick™ (20 min. Oven Cleaning) and Self Clean
- Four Preset Menu Cook Options
- Warming Drawer
- Large Window Design

Convenience

- Hot Surface Indicator Light
- Auto Oven Light
- Proofing
- Sabbath Mode
- Kitchen Timer
- Delay Start
- Child Safety Lock
- 3 Chrome Oven Racks
- Hidden Bake Element



Large Capacity



True Convection Oven

Available Color



Stainless Steel

Signature Features

LARGE CAPACITY

- Our extra-spacious 5.9 cu. ft. large capacity oven easily handles turkey roasters and large baking sheets.

TRUE CONVECTION OVEN

- Heated fan system is great for baking and broiling because temperature is distributed thoroughly and food cooks evenly.

FIVE BURNER COOKTOP

- Easy to maintain ceramic cooktop with the flexibility of five elements, including a triple burner.



Ranked **"Highest in Customer Satisfaction with Ranges, Cooktops and Ovens"** by J.D. Power and Associates.

SAMSUNG

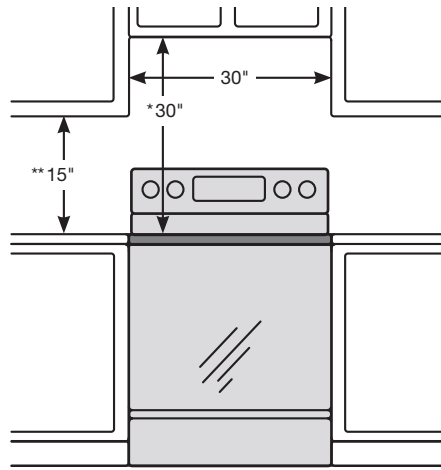
NE597R0ABSR

5.9 cu. ft. Freestanding Electric Range

Installing Your Range

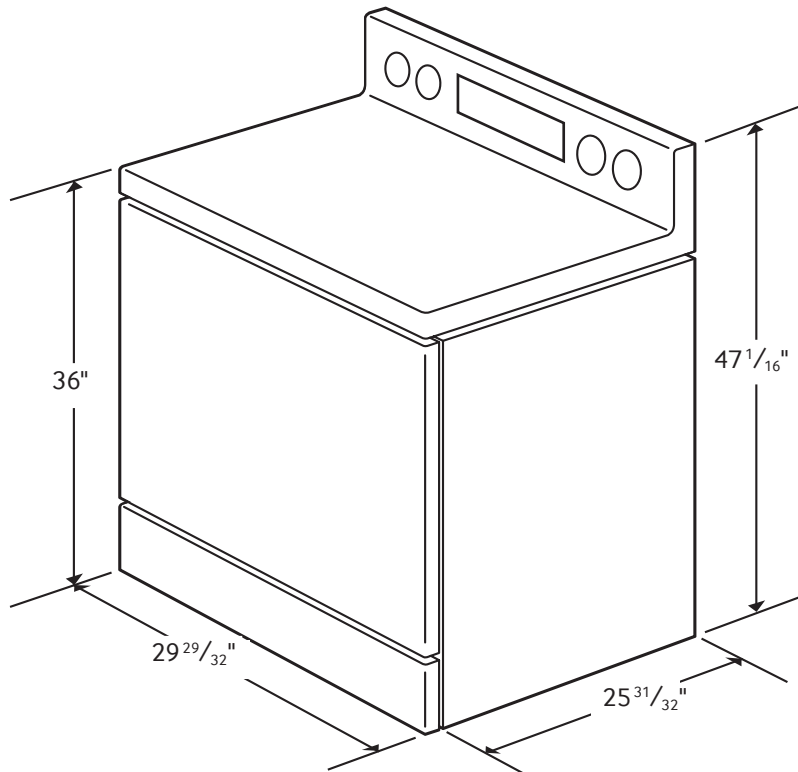
*30" minimum clearance between the top of the cooking surface and the bottom of an unprotected wood or metal cabinet; or 24" minimum when the bottom of the wood or metal cabinet is protected by not less than 1/4" flame retardant millboard covered with not less than no.28 MSG sheet steel, 0.015" stainless steel, 0.024" aluminum or 0.020" copper.

**15" minimum between the countertop and the adjacent cabinet bottom.



IMPORTANT: To eliminate the risk of burns or fire caused by reaching over heated surface units, cabinet storage space located above the surface units should be avoided. If cabinet storage is to be provided, the risk can be reduced by installing a range hood that projects horizontally a minimum of 5" beyond the bottom of the cabinets.

Dimensions



Power Source

240 V/60 Hz

Induction/Radiant Ceramic Cooktop

- Right Front: Radiant 6/9/12", 3.0 KW – Fast Boil
- Left Front: Radiant 6/9", 3.0 KW – Fast Boil
- Right Rear: Radiant 6", 1.2 KW
- Left Rear: Radiant 6", 1.2 KW
- Center Rear: Warming Center, 100 W

Oven

- Hidden Bake Element: 3000 W
- Convection Bake: 150°F - 550°F
- Convection Roast: 150°F - 550°F
- Broil Element: 3800 W
- Convection Element/Heater: 1300 W
- Broil: Low/Hi (375°F/450°F)
- Proofing
- Sabbath Mode

Warming Drawer

- Capacity – 1.4 cu. ft.
- Heating Performance: 600 W
- Temperature Settings: High, Medium, Low

Warranty

One (1) Year All Parts and Labor

One (1) Year Electric Cooktop

Product Dimensions & Weight (WxHxD)

Actual Oven Dimensions:

25" x 20^{25/32}" x 18^{15/16}"

Outside Net Dimensions:

29^{29/32}" x 47^{1/16}" x 25^{31/32}"

Weight: 166 lbs.

Shipping Dimensions & Weight (WxHxD)

Dimensions:

32^{7/8}" x 50^{13/32}" x 30^{1/8}"

Weight: 194 lbs.

Color

Stainless Steel

Model #

NE597R0ABSR

UPC Code

036725570726

SAMSUNG

Samsung received the highest numerical score for ranges, cooktops and ovens in the proprietary J.D. Power 2014 Kitchen Appliance StudySM. Study based on 15,380 total responses measuring 17 ranges, cooktops and oven brands and measures opinions of consumers about their new appliance purchased in the past 24 months. Proprietary study results are based on experiences and perceptions of consumers surveyed in January-March 2014. Your experiences may vary. Visit jdpower.com.

Actual color may vary. Design, specifications, and color availability are subject to change without notice. Non-metric weights and measurements are approximate.

©2014 Samsung Electronics America, Inc. 85 Challenger Road, Ridgefield Park, NJ 07660. Tel: 800-SAMSUNG. samsung.com. Samsung is a registered trademark of Samsung Electronics Co. Ltd.