

DW80N3030 Series

Dishwasher installation guide



These installation instructions are intended for use by qualified installers.

If you are having problems installing this dishwasher
Please call : **1-800-SAMSUNG (726-7864)**
for assistance : www.samsung.com

imagine the possibilities

Thank you for purchasing this Samsung product.

SAMSUNG







DD81-02614A-00

safety instructions

Throughout this manual, you'll see Warning and Caution notes. These warnings, cautions, and the important safety instructions that follow do not cover all possible conditions and situations that may occur. It's your responsibility to use common sense, caution, and care when installing, maintaining, and operating the dishwasher. Samsung is not liable for damages resulting from improper use.

IMPORTANT SAFETY INSTRUCTIONS


What the icons and signs in this installation guide mean:

 WARNING	Hazards or unsafe practices that may result in severe personal injury or death.
 CAUTION	Hazards or unsafe practices that may result in personal injury or property damage.
 CAUTION	To reduce the risk of fire, explosion, electric shock, or personal injury when using the dishwasher, follow these basic safety precautions:
	Follow directions explicitly.
	Make sure the machine is grounded to prevent electric shock.
	Call the service center for help.


These warning signs are here to prevent injury to you and others.

Please follow them explicitly.

After reading this section, keep it in a safe place for future reference.

-  Read all instructions before using the appliance.

Install and store the dishwasher inside, away from exposure to weather.

-  Do not install the dishwasher near electrical components. Keep the dishwasher away from open flames.

Do NOT install the dishwasher on a carpet as this is a fire hazard.

Do NOT install the dishwasher in a location where the water may freeze (where the temperature falls below 32 °F (0 °C)). Frozen water in the hoses or pipes may damage the dishwasher.

As with all equipment using electricity, water and moving parts, potential hazards exist. To safely operate this appliance, become familiar with its operation and exercise care when using it.

-  The dishwasher must be properly grounded. Never connect it to an ungrounded outlet.

Prior to removal of original dishwasher and the installation of your new unit, make sure to switch off your circuit breaker. Do not connect the dishwasher until you have completed the installation. Connecting the power cable is the last step when installing the dishwasher.

All wiring and grounding must be done in accordance with the electrical code applicable to the region.

GROUNDING INSTRUCTIONS

For a permanently connected appliance:

This appliance must be connected to grounded metal, a permanent wiring system, or an equipment-grounding conductor must be run with the circuit conductors and connected to the equipment-grounding terminal or lead on the appliance.

The dishwasher is very heavy. Do not attempt to move or carry a dishwasher alone. Two or more people are needed to move a dishwasher and avoid potential injuries.



If the power cable is damaged, it must be replaced by the manufacturer, a service agent or similarly qualified person in order to avoid a hazard.



Do not touch the power cable with wet hands.



Do not connect another appliance to the same power outlet as the dishwasher.

Make sure to use a new water supply line. Old lines are susceptible to breakage because they become hardened and may cause property damage due to a water leakage.

The dishwasher must be connected to a hot water supply with a temperature between 120 °F (49 °C) ~ 149 °F (65 °C). This temperature range provides the best washing result and shortest cycle time. Temperature should not exceed 149 °F (65 °C) to prevent damage to dishes.

Ensure that the water supplied to the dishwasher does not freeze. Frozen water can damage the hoses, valves, pump, or other components.

Certified residential dishwashers are not intended for licensed food establishments. (NSF/ANSI Standard 184 for Residential Dishwashers)

For a full list of safety information, please refer to the User Manual.

BEFORE INSTALLING THE DISHWASHER



WARNING



Tip-Over Hazard

- Do not use the dishwasher until it is correctly installed.
- Do not push down on the door when it is open.
- Do not place excessive weight on the open door.



Electric Shock Hazard

Failure to follow these instructions can result in death, fire, or electric shock:

- Electrically ground the dishwasher
- Connect the ground wire to the green ground connector in the junction box.
- Do not use an extension cord.

To reduce the risk of electric shock, fire, or injury to persons, the installer must ensure that the dishwasher is completely enclosed at the time of installation.

contents

PREPARING THE DISHWASHER ENCLOSURE

5

- 5 Product dimensions
- 5 Enclosure dimensions

INSTALLING THE DISHWASHER

6

- 6 STEP 1 Check the parts and tools
- 8 STEP 2 Select the best location for the dishwasher
- 9 STEP 3 Check water supply requirements and cautions
- 10 STEP 4 Check the electrical requirements and cautions
- 11 STEP 5 Unpacking and inspecting the dishwasher
- 13 STEP 6 Preparing the dishwasher
- 14 STEP 7 Placing the dishwasher and connecting the hot water supply line
- 15 STEP 8 Leveling the dishwasher
- 16 STEP 9 Securing the dishwasher
- 17 STEP 10 Connecting the drain hose
- 20 STEP 11 Wiring connections
- 21 STEP 12 Completing the installation

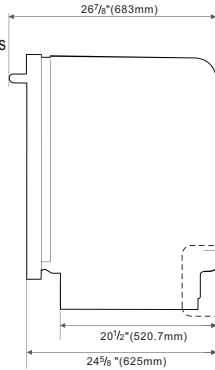
SPECIFICATIONS

22

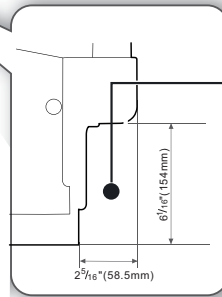
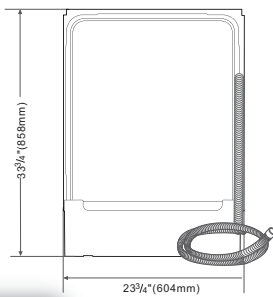
preparing the dishwasher enclosure

PRODUCT DIMENSIONS

Side view
DW80N3030 Series




Rear view



The water supply line, power cable and drain hose should go through this space behind the dishwasher. Then, the power cable run in channels under the dishwasher to connections in the front.

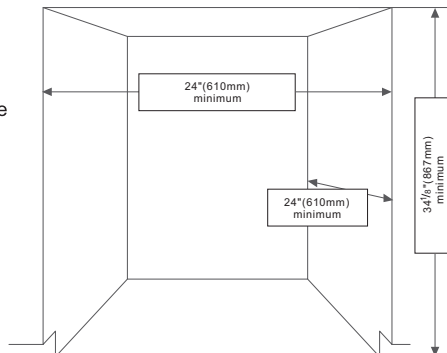
ENCLOSURE DIMENSIONS

 This dishwasher is designed to be enclosed on the top and on both sides by a standard residential kitchen cabinet unit.

The installation enclosure must be clean and free of any obstructions.

The enclosure must be at least 24 inches wide, 24 inches deep and 34 1/8 inches high.

For the front door of the dishwasher to be flush with the leading edge of the counter top, the counter top must be at least 25 inches deep.



installing the dishwasher

Be sure that you or your installer follow these instructions closely so that the new dishwasher works properly and that you're not at risk of injury when washing dishes.

STEP 1 CHECK THE PARTS AND TOOLS

Before starting on the installation, prepare all the necessary tools and parts required to install the dishwasher. This will save installation time and simplify the installation process.

Parts required

Provided with the dishwasher. Check when you unbox the dishwasher in Step 5.



2 Installation Brackets



2 Flat Head Screws
(For the installation
bracket)



2 Screws
(for the kick plate)



Cable Tie
(for the Drain hose1)



Kick Plate

Not provided



2 Screws
(for the side walls)



Twist on wire
connector



Strain relief



Electrical tape &
Standard duct tape



Hot water supply line



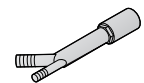
90° Elbow(3/8")



Tube fittings



Teflon® tape or sealing
compound




Air gap





Rubber connector



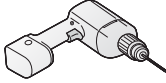


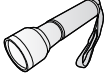

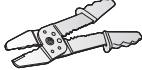
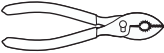

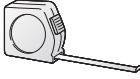



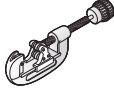
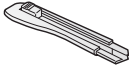



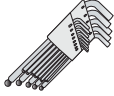
Power cable

 For the hot water supply line – We strongly recommend using 3/8" minimum O.D. copper tubing with a compression fitting or a flexible stainless steel braided hot water supply line.

 Do not use plastic tubing. Plastic tubing can deteriorate over time and cause a leak inside the tube fitting.

 You also need a 90° Fitting with 3/4" N.P.T. external pipe threads on one end and a fitting sized to fit your hot water supply line (copper tubing/compression fitting or braided hose) on the other. For the power cable, we recommend a jacketed 12-2 cable with ground. Note that some local codes may require the cable to have a BX style metal jacket.

Tools required

			
Electric drill	Safety glasses	Gloves	Flashlight
			
Adjustable wrench	Wire stripper	Pliers	Nipper
			
Tape measure	Pencil	Phillips screwdriver	Flat screwdriver
			
Tubing cutter	Cutting knife	Hole saw	Level
			
Torx t15	Hex L-wrench		

- New installation**
If the dishwasher is a new installation, most of the installation work must be done before the dishwasher is moved into place.
- Replacement**
If the dishwasher is replacing an old dishwasher, you must check the existing dishwasher connections for compatibility with the new dishwasher. Replace the existing connections as necessary.

installing the dishwasher

STEP 2 SELECT THE BEST LOCATION FOR THE DISHWASHER

The following criteria are important to ensure the best location for the dishwasher:

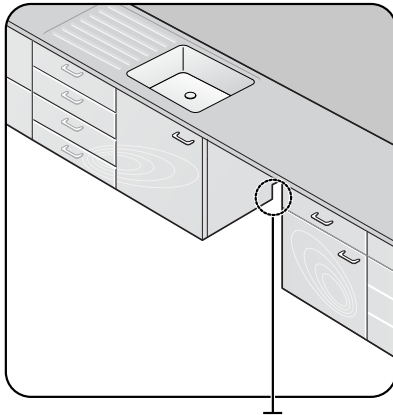
- The location must have a solid floor that is able to support the weight of the dishwasher.
- The location must be near a sink with easy access to the water supply, drain, and electrical outlet.
- For the drain to operate properly, the dishwasher should be installed within 9.8 ft (3 m) of the sink.
- The location must let you load your dishes into the dishwasher easily.
- The location must have sufficient space for the dishwasher door to open easily and provide enough space between the dishwasher and the cabinet sides (at least 0.1 in (2 mm)).
- If the dishwasher is installed in a corner, ensure that the side of the dishwasher is more than 2 in. (50 mm) from the wall or cabinet to its right or left.
- The wall at the back must be free of obstructions.

If this is a new installation, follow these steps:

1. Using a 2½ inch hole saw, cut a hole into the side of the cabinet that holds the sink as shown in Figure 1-1 below.
2. If the base inside the sink cabinet is raised above the kitchen floor and is higher than the connections on the dishwasher, make a hole in the base inside the cabinet and in the cabinet side as shown in Figure 1-2.

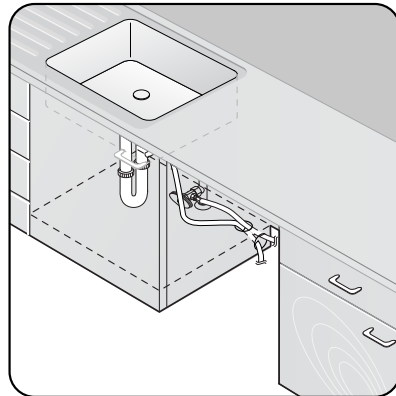
- Depending on where your electrical outlet is, you may need to cut a hole in the opposite cabinet side.

<Figure 1-1>



The hole for the water supply line, drain hose and power cables.

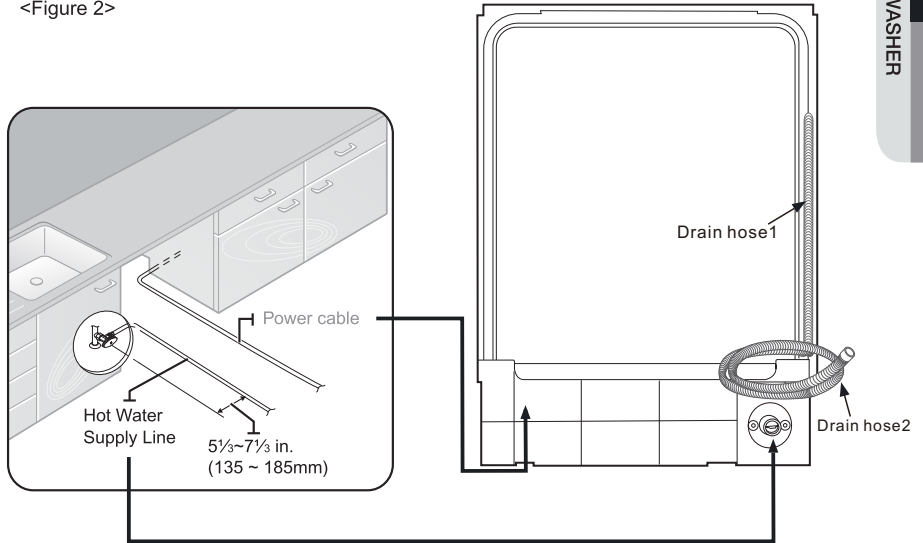
<Figure 1-2>



STEP 3 CHECK WATER SUPPLY REQUIREMENTS AND CAUTIONS

- The hot water supply line pressure must be between 20~120 psi (140~830 kPa).
- Adjust the water heater to deliver water between 120 °F (49 °C) ~ 149 °F (65 °C).
 - The dishwasher must be connected to a hot water supply between 120 °F (49 °C) ~ 149 °F (65 °C). This temperature range provides the best washing result and shortest cycle time. Temperature should not exceed 149 °F (65 °C) to prevent damage to dishes.
 - Ensure that the water supply valve is turned off before connecting the hot water supply line to the dishwasher.
 - Seal the hot water supply line connections using teflon tape or sealing compound to stop any water leakage.
 - Connect drain hose 2 to drain hose 1 using the provided clamp. Then run drain hose 2 through the hole on the side wall so it can be connected to the drain outlet at the sink. When you install the dishwasher, ensure there is nothing in the drain hose, and be careful not to damage the drain hose during installation.

<Figure 2>



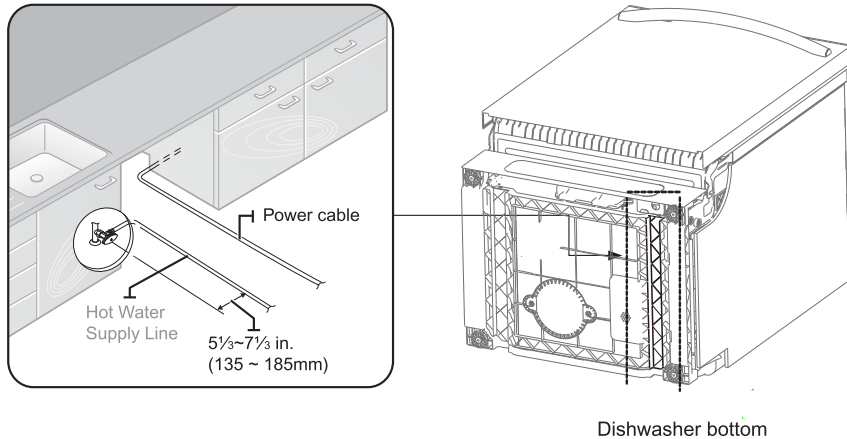
installing the dishwasher

STEP 4 CHECK THE ELECTRICAL REQUIREMENTS AND CAUTIONS

The electrical requirements for the dishwasher are as follows:

- In the United States, install in accordance with the National Electric Code/State and Municipal codes and/or local codes.
- In Canada, install in accordance with the Canadian Electric Code C22.1-latest edition/Provincial and Municipal codes and/or local codes.
- For cable direct connections.
 - Use flexible, armored or non-metallic sheathed, copper wire with a grounding wire that meets the wiring requirements for your local codes and ordinances.
 - Use the strain relief method provided with the wiring junction box or install a U.L.-listed/CSA-certified clamp connector to the wiring junction box. If using conduit, use a U.L.-listed/CSA-certified conduit connector.

<Figure 3>



STEP 5 UNPACKING AND INSPECTING THE DISHWASHER

Unbox the dishwasher in an open area free of obstruction both around the carton and overhead. We recommend that you retain the carton and all of the packing materials until the dishwasher is fully installed and operational to ensure you have removed all the product's components from the carton prior to disposal.

Unboxing

1. Position the carton right-side-up with top arrows pointing upwards.
2. Unbuckle or cut the four straps securing the carton top.
3. Lift the top of the telescoping carton clear of the carton tray and the contents, and then turn it over and place it on the floor.
4. Put the straps and all of the packing materials from around the dishwasher inside the carton top, inspecting them for any signs of damage.
5. Locate and set aside the dishwasher's kick plate.



6. Lift the dishwasher from the carton tray, and then place it on the floor. Put the tray into the carton top.
7. Remove the bag that protects the dishwasher during shipping.



ALWAYS LIFT THE Dishwasher TO MOVE IT. Sliding it over rough surfaces can damage the dishwasher's feet and sliding the feet over finished surfaces can, in some cases, damage that finish or the underlying surface.

8. There is also packing inside the dishwasher that you may want to leave in place until the dishwasher is installed.
9. **DO NOT**, under any circumstances, remove the sound-absorbent padding that surrounds the exterior of the tub of the dishwasher.

Inspecting

Mechanical

1. Check the plastic base assembly to ensure that it is intact
2. Check the dishwasher's feet to ensure they are in place and can be adjusted so you can level and secure the dishwasher.
3. Check all the visible components on the bottom of the dishwasher to ensure they are intact and secure.
4. Check the door latch, the operation of the hinges, and confirm the door is properly secured to the dishwasher.

installing the dishwasher

Plumbing

1. Check the hot water connection on the rear left-side of the base of the dishwasher. The mounting plate should be secured to the front of the base, the threads inside the connection should be smooth and shiny, and the area should be clean and free of any debris.
2. Check the plastic Brake and Sensor cases to ensure these assemblies are not cracked and that all connections are secure.
3. Check the drain hose for any holes or deformities that could allow a water leak during draining.

Electrical

1. Confirm the junction box cover is secured to the junction box on the front right-side of the base of the dishwasher.
2. Confirm the electrical box was not damaged during shipping and that it is secured to the base of the dishwasher.

Appearance

1. Confirm there are no dents or scratches on the front of the dishwasher.
2. Check the edges of the doors for any roughness or cracking
3. Check the control panel to ensure it is clear and unscratched, and that all the control markers are in their proper places.

Parts

1. Confirm you have all the parts listed in Step 1 on page 6.

STEP 6 PREPARING THE DISHWASHER

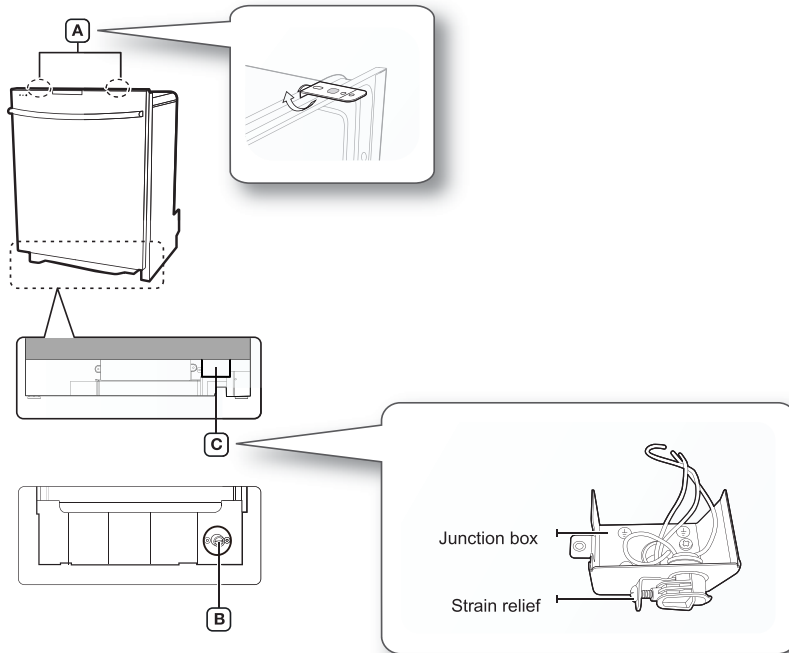
1. Ensure that the circuit breaker and water supply valve are turned off before proceeding with the following steps.



Before you move or lay down the dishwasher for installation, make sure to adjust the height of the legs so the legs are as short as possible. This prevents the legs from breaking. Level the dishwasher by adjusting the height of the legs after you have the dishwasher in place.

2. Make sure there are no kinks and that the hose is not bent at any extreme angles that could constrict the flow of water.
3. Remove the junction box cover located at the bottom front right of the dishwasher using a screwdriver, and then install the strain relief (Figure 4 - C). Make sure to keep the junction box cover you removed. It is used in Step 11, Wiring Connections.
4. If the countertop is made of wood or a material that is not damaged by drilling, attach the two (2) installation brackets that were supplied with the dishwasher using the supplied screws (Figure 4 - A). They will be used in Step 9, Securing the Dishwasher.

<Figure 4>




CAUTION

Do not overtighten the 90° elbow.
(Below 280 lb-in (31.6 N-m))
Doing so may damage the water inlet valve
and cause a water leak.

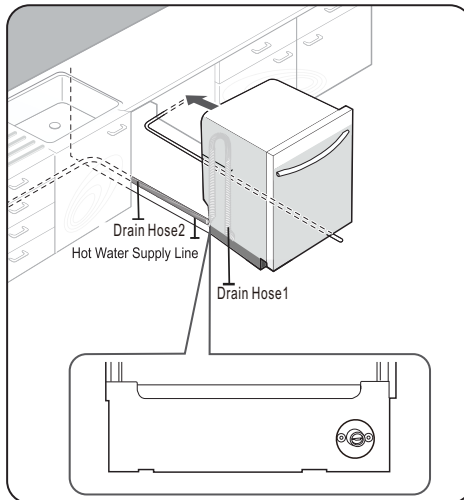
installing the dishwasher

STEP 7 PLACING THE DISHWASHER AND CONNECTING THE HOT WATER SUPPLY LINE

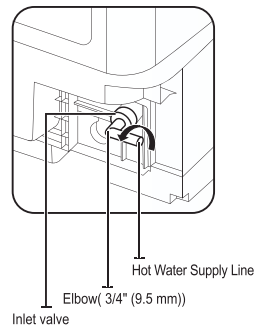
1. Adjust the 4 leveling legs at the bottom of the dishwasher after measuring the height of the cabinet opening from under the countertop to the floor. (See Step 8, Leveling the Dishwasher.)
2. Locate the hot water supply line and the power cable.
3. Place the dishwasher so that the power cable is in the right channel of the base of the dishwasher. Use standard duct tape or cable ties to secure the electrical cable to their adjacent channels in the base. This can prevent the electrical cable from being squeezed when you push the the dishwasher into place.
4. Pull the drain hose through the hole in the sink cabinet side wall. Keep it free of kinks.
5. Make sure the hot water supply line is not twisted, and then connect the hot water supply line to the elbow joint.
6. Slide the dishwasher carefully into the installation space. If possible, gently pull any excess lengths of water supply line, drain hose, or power cable back as you move the dishwasher. Get a second or third person to help you do this if necessary.

 **CAUTION** Do not place the dishwasher on the water supply line, drain hose, or power cable. Also, make sure they are not folded or twisted.

<Figure 6>



<Figure 7>

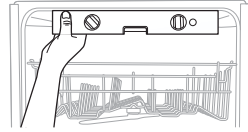


CAUTION

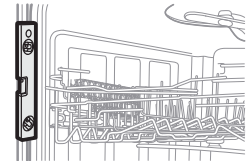
Do not overtighten the 90° Fitting.
(Below 280 lb-in (31.6 N·m))
Doing so may damage the water inlet
valve and cause a water leak.

STEP 8 LEVELING THE DISHWASHER

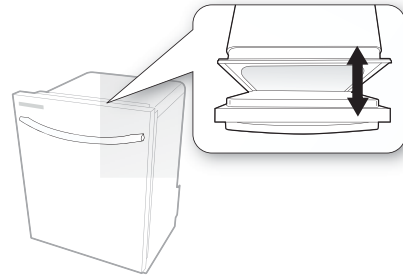
1. Open the door and place the level against the top of the tub on the inside and check if the the dishwasher is level. If it is not level, rotate the leveling legs at the bottom front of the dishwasher until the dishwasher is level. See the first note below for instructions on adusting the height of the front legs.




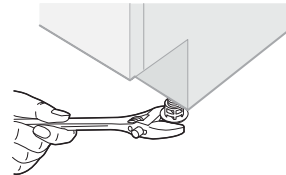
2. Use the level to check if the dishwasher is level front to back, as shown in the figure to the right. If the dishwasher is not level front to back, adjust the height of the rear legs until the dishwasher is level. See the second note below for instructions on adusting the the rear legs.




3. Open the door of the dishwasher and check if both the tub and door clearances are correct. If not, rotate the leveling legs on the bottom front of the dishwasher. You can also check this by placing a level against an inside front vertical surface of the tub.



-  If the leveling legs are rotated to the right (counter clockwise), they are loosened and the front of the dishwasher is raised. And the maximum height be raised is about 38mm (1 1/2"). If they are rotated to the left (clockwise), they are tightened and the front of the dishwasher is lowered.




 **CAUTION** Before you move the dishwasher for installation, make sure to adjust the height of the legs so the legs are as short as possible. This prevents the legs from breaking. Level the dishwasher by adjusting the height of the legs after you have the dishwasher in place.

 **CAUTION** The dishwasher can leak if it's tilted by more than 1 degree.

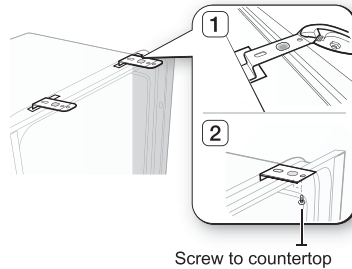
installing the dishwasher

STEP 9 SECURING THE DISHWASHER

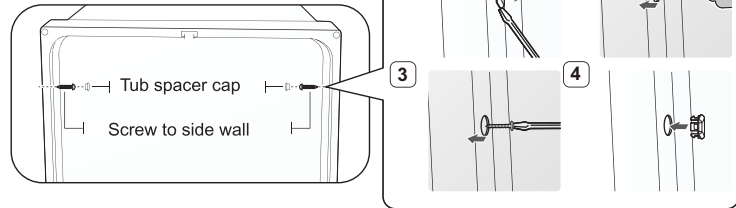
You must fix the dishwasher to the countertop or cabinet side walls for additional stability and safety.

1. If the countertop is made of wood or the material will not be damaged by drilling, follow the instructions in 2-1 below.
If the countertop is made of granite, marble, or any other material that can be damaged by drilling, follow the instructions in 2-2 below.
- 2-1. If the installation brackets on the front of the dishwasher extend cut them down using a nipper as shown in Figure 8 on the next page.
Put a large towel into the bottom of the dishwasher to prevent wood shavings or a dropped screw from falling into the dishwasher.
Carefully drill screw holes into the counter top bottom by passing the drill bit through a screw hole in each bracket, and then drilling into the counter top bottom beneath.
Make sure the hole you drill is smaller than the diameter of the screw.
Insert the provided screws into the brackets, and then tighten to secure the dishwasher to the counter top.
- 2-2. Put a large towel into the bottom of the dishwasher to prevent wood shavings or a dropped screw from falling into the dishwasher. Remove the tub spacer caps with the tip of a screwdriver. The caps are just inside the tub near the top of the tub on both sides (Figure 9 on the next page).
Drill a hole into the sides of the kitchen cabinet on both sides by carefully passing a drill bit through the screw holes exposed by the removal of the spacer caps, and then drilling into the cabinet side beneath.
Make sure the hole you drill is smaller than the diameter of the screw.
Also make sure the drill bit does not strike the sides of the spacer cap holes. Insert the provided screws into the holes, and then tighten to secure the dishwasher to the cabinet.
Make sure the tub is not distorted by pressure from the screws.
If the tub is distorted, loosen the screws a little.
Replace the tub spacer caps.
 -  • The screws or tub spacer cap may fall into the dishwasher while you are working with the door open. Cover the interior of the dishwasher with a towel to prevent any screws from falling into the dishwasher. If any foreign items such as a screw get into the dishwasher, it may cause noise, an abnormal operation, damage, or a malfunction.
 - Use a magnetic screwdriver to help prevent screws from falling into the dishwasher.
 - If a foreign item such as a screw gets into the dishwasher and you are unable to remove it, the dishwasher needs to be disassembled. Contact a qualified service technician for this.

<Figure 8>



<Figure 9>

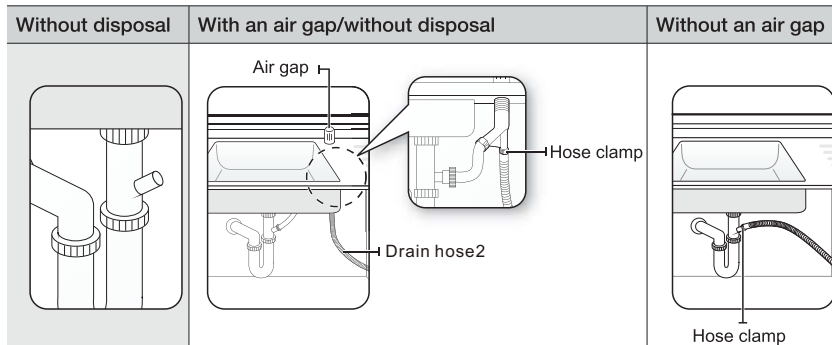


STEP 10 CONNECTING THE DRAIN HOSE

1. Check the parts on the sink to which the drain hose will be connected.
2. There are several ways to insert the drain hose into the drain hose connector of the sink, as shown in the following figures. You must connect the drain hose in accordance with the water pipe installation regulations in your region.

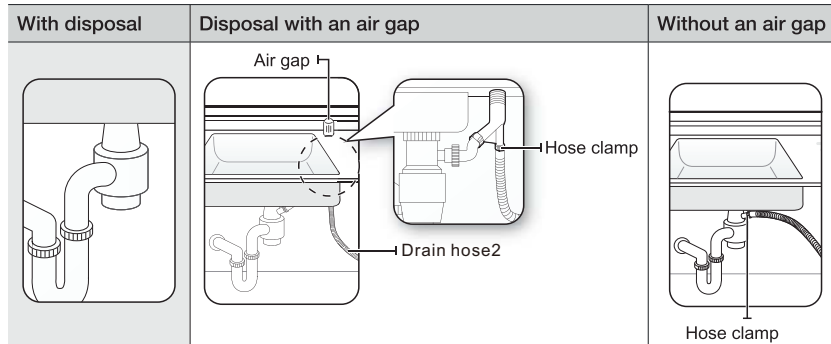
<Figure 10>

Case 1. Without disposal




installing the dishwasher

Case 2. With disposal



3. Check the size of the sink's drain hose connector. If needed, cut the drain hose so its end fits onto the sink connector (1" or 5/8" - as shown in Figure 11 below). If the end of the drain hose does not fit onto the drain hose connector of the sink, use an adaptor purchasable at a plumbing/hardware supply store.
4. Slide a hose clamp over the end of the drain hose. Attach the drain hose to the sink connector, slide the hose clamp to the end of the hose, and then tighten the hose clamp. Note : You must use a hose clamp. Failure to do so may cause water leakage.
5. If there is no air gap, make sure to hang the middle of the drain hose well above the sink cabinet base to prevent backflow (see Figure 13 on the next page).
6. When drilling a hole for the drain hose on the cabinet wall, take caution not to damage the drain hose by sharp edges of the hole. On wooden walls, use sand paper to soften the edges. On metal walls, use insulation tape or duct tape to cover the sharp edges around the hole.
7. Take caution not to damage the drain hose when installing the dishwasher on the floor, wall, or cabinet.

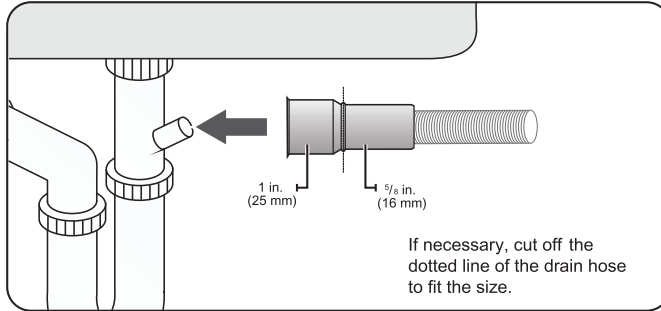
 To prevent leaks or drainage problems, make sure the drain hose is not damaged, kinked, or twisted.

8. Do not cut the wrinkled area of the drain hose to fit the size. When arranging the drain hose, take caution not to contact on sharp edges of the cabinet or under-sink.

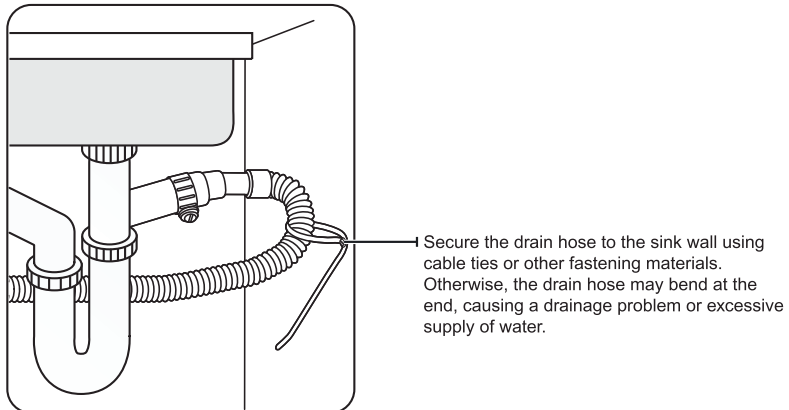


- Be careful when cutting off the end of the drain hose as there is a risk of injury. Clean around the sink's drain connection so that it does not damage the hose. Check for any foreign items in the drain hose and remove them.
- When arranging the drain hose, make sure the drain hose is not cut, torn, or broken by any sharp edges of the floor, the product itself, or the cabinet. A damaged drain hose causes a leak.

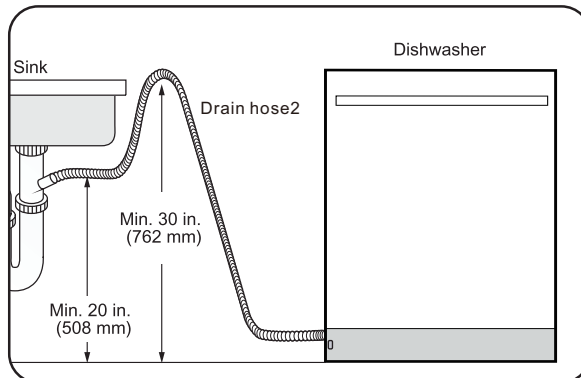
<Figure 11>



<Figure 12>



<Figure 13>

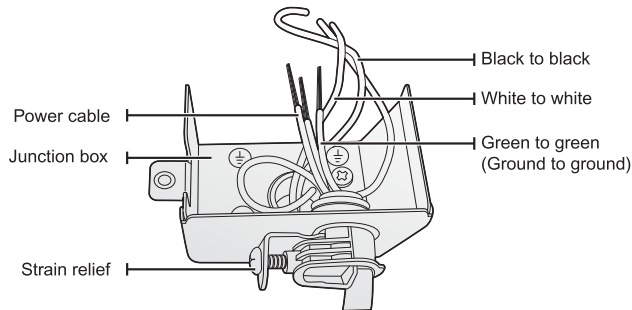


installing the dishwasher

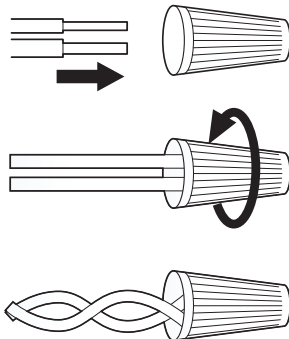
STEP 11 WIRING CONNECTIONS

1. Before connecting the power cable to the dishwasher, make sure the circuit breaker is off
2. In the junction box located at the front bottom right of the dishwasher, find the three power wires from the dishwasher including the grounding line.
3. Pass the power cable through the strain relief, and then into the junction box (Figure 14).
4. Connect the black wire of the dishwasher to the black wire of the power cable by inserting both into a wire nut and then rotating the wire connector as shown in Figure 15.
Connect the white wire to the white wire and the green to the green in the same manner.
5. Recheck each wire to ensure it is connected correctly and securely.
Each colored wire should be connected to the corresponding wire of the same color.
White should be connected to white, black to black, and green to green.
6. Replace the junction box cover on the dishwasher.

<Figure 14>



<Figure 15>



WARNING


Electrical Shock Hazard

To avoid electrical shock, do not work on an energized circuit. Doing so could result in serious injury or death. Only qualified electricians should perform electrical work. Do not attempt any work on the dishwasher electric supply circuit until you are certain the circuit is de-energized.



WARNING

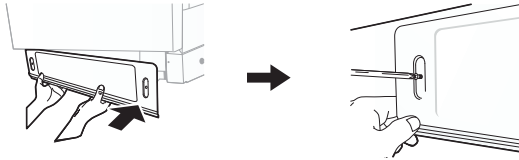
Fire Hazard

To avoid a fire hazard, make sure electrical work is properly installed. Only qualified electricians should perform electrical work.

-  Recheck each wire to ensure it is connected correctly and securely.
Each colored wire should be connected to the corresponding wire of the same color.

STEP 12 COMPLETING THE INSTALLATION

1. Open the door and remove all foam, paper packaging, and unnecessary parts.
2. Turn on the circuit breaker you turned off before you began the installation.
3. Open the water supply valve to supply water to the dishwasher.
4. Turn on the dishwasher, and then select and run a cycle.
 Check if the power turns on correctly and if there is any water leakage while the dishwasher is operating. If no errors occur while it is operating, turn off the dishwasher, and then go to Step 5 below.
If an error has occurred, turn off the dishwasher, close the water supply valve, and then refer to the user manual or contact a service center 1-800-SAMSUNG (726-7864).
-  **CAUTION** Make sure to check for water leakage on both ends of the water supply line and drain hose connector.
5. Confirm that the kick plate gasket is on the bottom of the kick plate. To install the kick plate, refer to the figure below.



specifications

Power supply	120 V, 60 Hz AC only
Water pressure	20 ~ 120 psi (140 ~ 830 kPa)
Dimensions (Width×Depth×Height)	23 ³ / ₄ x24 ⁵ / ₈ (Excluding Handle)x33 ³ / ₄ in. [604 x 625(Excluding Handle) X858mm](DW80N3030 Series)
Nominal inlet water temperature	120 °F (49 °C)



Specifications are subject to change without notice for quality improvement purposes.
The actual appearance of the dishwasher may differ from the illustrations in this manual.

notes

SAMSUNG

Lave-vaisselle

Manuel d'installation



Ces instructions d'installation ont été rédigées pour être utilisées par des installateurs qualifiés.

Si vous rencontrez des problèmes lors de l'installation du lave-vaisselle, veuillez appeler au: **1-800-SAMSUNG (726-7864)** ou consulter le site suivant, pour obtenir de l'aide : www.samsung.com

un monde de possibilités

Nous vous remercions d'avoir choisi cet appareil Samsung.







SAMSUNG

consignes de sécurité

Tout au long du présenté manuel, vous rencontrerez des remarques intitulées Avertissement et Attention. Ces avertissements et mises en garde, ainsi que les consignes de sécurité importantes qui suivent, ne sont pas exhaustives. Il est de votre responsabilité de faire appel à votre bon sens et de faire preuve de prudence et de minutie lors de l'installation, de la maintenance et de l'utilisation de votre lave-vaisselle. Samsung ne saurait être tenue pour responsable en cas de dommage résultant d'une utilisation non conforme.

CONSIGNES DE SÉCURITÉ IMPORTANTES

Que signifient les icônes et symboles utilisés dans ce manuel d'installation ?

 AVERTISSEMENT	Risques ou manipulations dangereuses susceptibles d'entraîner des blessures graves, voire mortelles .
 ATTENTION	Risques ou manipulations dangereuses pouvant entraîner des blessures ou des dommages matériels .
 ATTENTION	Pour réduire le risque d'incendie, d'explosion, d'électrocution ou de blessures lors de l'utilisation du lave-vaisselle, veuillez vous conformer aux précautions de sécurité de base suivantes
	Suivez scrupuleusement les consignes.
	Assurez-vous que l'appareil est relié à la terre afin d'éviter tout risque d'électrocution.
	Prenez contact avec le service d'assistance technique pour obtenir de l'aide.

Ces symboles d'avertissement visent à éviter que vous ou quelqu'un d'autre ne se blesse. Veuillez vous y conformer scrupuleusement.

Lorsque vous aurez terminé de lire ce manuel, conservez-le dans un endroit sûr afin de pouvoir le consulter ultérieurement.

 Lisez attentivement toutes les instructions avant d'utiliser l'appareil.


Installez et entreposez le lave-vaisselle à l'intérieur, dans un endroit où il ne pourra être exposé aux intempéries.


ATTENTION N'installez pas le lave-vaisselle près de composants électriques. Éloignez-le des flammes nues.

N'installez PAS le lave-vaisselle sur un tapis en raison des risques d'incendie.

N'installez PAS le lave-vaisselle dans un endroit où l'eau pourrait geler (lorsque la température descend en dessous de 32 °F (0 °C)). Le lave-vaisselle pourrait être endommagé par la glace se trouvant dans les tuyaux et conduits.

À l'instar de tous les équipements utilisant de l'électricité, de l'eau et des parties mobiles, des risques potentiels existent. Pour utiliser cet appareil en toute sécurité, veuillez vous familiariser avec son fonctionnement et faire toujours preuve de prudence.

 Ce lave-vaisselle doit être mis à la terre de façon appropriée. Ne le branchez jamais à une prise non reliée à la terre.

Avant d'enlever le lave-vaisselle d'origine et de le remplacer par le nouvel appareil, assurez-vous d'avoir coupé votre disjoncteur. Ne branchez pas le câble d'alimentation du lave-vaisselle avant d'avoir terminé l'installation ; le branchement est la dernière étape à effectuer.

Toutes les opérations de câblage et de mise à la terre doivent être effectuées conformément au code d'électricité en vigueur dans votre pays.

INSTRUCTIONS DE MISE À LA TERRE

Branchement permanent de l'appareil:

Cet appareil doit être connecté à un système de câblage permanent métallique avec mise à la terre ; si ce n'est pas le cas, un conducteur de mise à la terre de l'équipement doit être installé avec les conducteurs du circuit puis connecté à la borne ou au fil de mise à la terre de l'équipement située sur l'appareil.

Le lave-vaisselle est très lourd. Ne tentez pas de le déplacer ou de le transporter seul. Au minimum deux personnes sont nécessaires pour déplacer le lave-vaisselle et ainsi éviter tout risque de blessures.



Si vous remarquez que le câble d'alimentation du lave-vaisselle est endommagé, faites-le remplacer par le fabricant, un réparateur approuvé ou toute autre personne qualifiée.



Ne touchez jamais le câble d'alimentation si vos mains sont mouillées.



Ne branchez aucun autre appareil sur la même prise électrique que le lave-vaisselle.

Assurez-vous d'utiliser un tuyau d'arrivée d'eau neuf. Une conduite plus ancienne pourrait se casser à la suite d'un durcissement, ce qui pourrait causer une fuite d'eau et endommager vos biens.

Le lave-vaisselle doit être raccordé à une source d'eau chaude avec une température comprise entre 120 °F (49 °C) et 149 °F (65 °C). Plage de température conseillée pour un résultat de lavage optimal et pour un temps de cycle plus court. Une température supérieure à 149 °F (65 °C) risque d'endommager la vaisselle.

Assurez-vous que l'eau alimentée dans le lave-vaisselle ne peut pas geler, car la glace pourrait endommager les tuyaux, les valves, la pompe ou d'autres composants.

Les lave-vaisselle domestiques certifiés ne sont pas conçus pour une utilisation dans des établissements de restauration sous licence.

(Norme NSF/ANSI 184 pour les lave-vaisselle domestiques)

Pour obtenir une liste complète des consignes de sécurité, veuillez vous reporter au Manuel d'utilisation.

AVANT D'INSTALLER LE LAVE-VAISSELLE



AVERTISSEMENT



Risque de basculement

- N'utilisez pas le lave-vaisselle avant qu'il ne soit correctement installé.
- N'appuyez pas sur la porte lorsque celle-ci est ouverte.
- Ne posez pas d'objets lourds sur la porte ouverte.



Risque d'électrocution

Le non-respect de ces consignes peut entraîner un incendie ou une électrocution et avoir des conséquences mortelles.

- Reliez le lave-vaisselle à la terre.
- Connectez le fil de terre au connecteur de terre vert de la boîte de jonction.
- N'utilisez pas de rallonge.

Afin de réduire les risques d'incendie, d'électrocution ou de blessures, l'installateur doit veiller à ce que le lave-vaisselle soit entièrement encastré au moment de l'installation.

table des matières

PRÉPARATION DE L'EMPLACEMENT DU LAVE-VAISSELLE

5

- 5 Dimensions de l'appareil
- 5 Dimensions d'encastrement

INSTALLATION DU LAVE-VAISSELLE

6

- 6 ÉTAPE 1 Vérifier les pièces et les outils
- 8 ÉTAPE 2 Choisir le meilleur emplacement pour le lave-vaisselle
- 9 ÉTAPE 3 Vérifier les normes et les mises en garde à respecter pour l'arrivée d'eau
- 10 ÉTAPE 4 Vérifier les normes et les mises en garde électriques
- 11 ÉTAPE 5 Déballer et inspecter le lave-vaisselle
- 13 ÉTAPE 6 Préparer le lave-vaisselle
- 14 ÉTAPE 7 Mettre en place le lave-vaisselle et raccorder le tuyau d'arrivée d'eau chaude
- 15 ÉTAPE 8 Mettre à niveau le lave-vaisselle
- 16 ÉTAPE 9 Fixer le lave-vaisselle
- 17 ÉTAPE 10 Raccorder le tuyau d'évacuation
- 20 ÉTAPE 11 Raccorder les câbles
- 21 ÉTAPE 12 Terminer l'installation

CARACTÉRISTIQUES TECHNIQUES

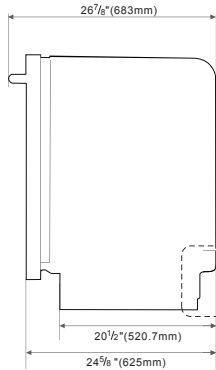
22

- 22 Caractéristiques techniques

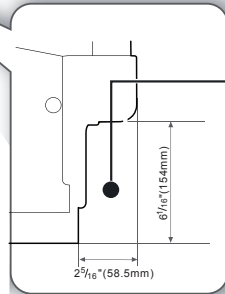
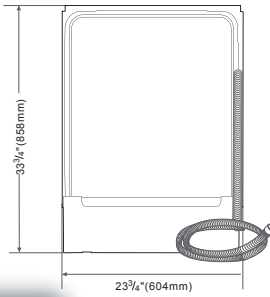
préparation de l'emplacement du lave-vaisselle

DIMENSIONS DE L'APPAREIL

Vue latérale
Série DW80N3030




Vue arrière



Le tuyau d'arrivée d'eau, le câble d'alimentation et le tuyau d'évacuation doivent passer par cette zone située à l'arrière du lave-vaisselle. Le câble d'alimentation passe ensuite dans les gouttières situées sous le lave-vaisselle et rejoint l'avant de l'appareil.

01 PRÉPARATION DU LAVE-VAISSELLE

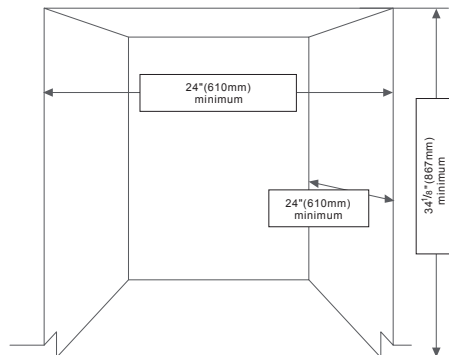
DIMENSIONS D'ENCASTREMENT

 Ce lave-vaisselle est conçu pour être encastré dans un meuble standard de cuisine domestique aussi bien sur le dessus que les deux côtés.

L'emplacement d'installation doit être propre et dégagé.

L'emplacement doit avoir une largeur minimale de 24 pouces, une profondeur de 24 pouces et une hauteur de 34 pouces 1/8.

Afin que la porte avant du lave-vaisselle soit parfaitement alignée avec le bord du plan de travail, ce dernier doit avoir une profondeur minimale de 25 pouces.



installation du lave-vaisselle

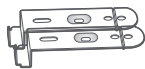
Veillez à ce que vous ou votre installateur respectiez soigneusement ces instructions afin de garantir le bon fonctionnement de votre nouveau lave-vaisselle et d'éviter tout risque de blessures lors de son utilisation.

ÉTAPE 1 VÉRIFIER LES PIÈCES ET LES OUTILS

Avant de commencer l'installation, préparez tous les outils et pièces dont vous aurez besoin ; ceci permettra de gagner du temps lors de l'installation et de simplifier le processus d'installation.

Pièces nécessaires

Fournies avec le lave-vaisselle. Vérifiez que toutes les pièces sont présentes au moment du déballage du lave-vaisselle (étape 5).



2 supports d'installation



2 vis à tête plate
(pour le support
d'installation)



2 vis
(pour la plaque de
protection)



Serre-câble
(pour le tuyau de vidange 1)



Plaque de protection

Non fournies



2 vis
(pour les parois latérales)



Capuchons de connexion
pour fils



Réducteur de tension



Ruban isolant et ruban
pour conduits standard



Tuyau d'arrivée d'eau
chaude



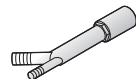
Coude 90° (3/8")



Raccords pour tuyaux



Ruban Téflon® ou
composé d'étanchéité



Entrefer



Raccord en caoutchouc



Câble d'alimentation



Pour l'alimentation en eau chaude - nous recommandons fortement d'utiliser un tuyau en cuivre avec un diamètre extérieur d'au moins 3/8" avec un raccord à compression ou un tuyau d'alimentation en eau chaude flexible en acier inoxydable.



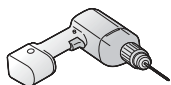
Attention

Ne pas utiliser de tuyaux en plastique. Les tuyaux en plastique peuvent se détériorer avec le temps et provoquer une fuite à l'intérieur du raccord de tuyauterie.



Pour le câble d'alimentation, nous vous recommandons d'utiliser un câble 12-2 gainé avec mise à la terre. Remarque : certains codes locaux peuvent exiger un câble avec gaine métallique de style BX.

Outils nécessaires



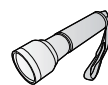
Perceuse électrique



Lunettes de sécurité



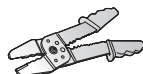
Gants



Lampe de poche



Clé à molette



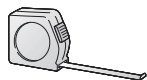
Outil à dénuder



Pincés



Pince coupante



Ruban à mesurer



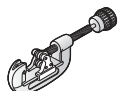
Crayon



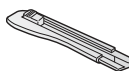
Tournevis cruciforme



Tournevis plat



Coupe-tube



Couteau



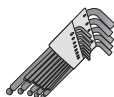
Scie-cloche



Niveau



Torx t20



Clé Allen



Première installation

Si aucun lave-vaisselle n'a encore été installé, la majorité du travail d'installation devra être effectuée avant que le lave-vaisselle ne soit mis en place.



Remplacement

Si ce lave-vaisselle est installé en remplacement d'un ancien modèle, assurez-vous de vérifier la compatibilité des raccords pour lave-vaisselle existants avec votre nouveau lave-vaisselle. Remplacez-les au besoin.

installation du lave-vaisselle

ÉTAPE 2 CHOISIR LE MEILLEUR EMPLACEMENT POUR LE LAVE-VAISSELLE

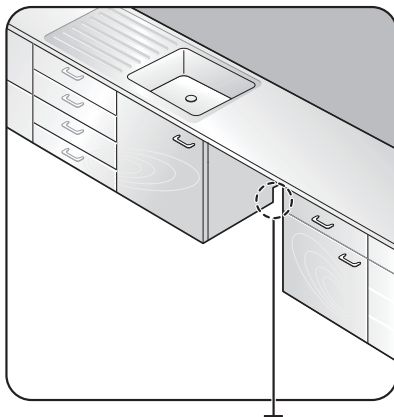
Prenez en compte les critères suivants pour déterminer le meilleur emplacement pour votre lave-vaisselle:

- Le sol de la pièce choisie doit pouvoir supporter le poids du lave-vaisselle.
- Choisissez un endroit situé près d'un évier, avec un accès facile à l'arrivée d'eau, au tuyau d'évacuation et à une prise électrique.
- ✍ Pour que la vidange puisse se faire de façon appropriée, installez le lave-vaisselle à moins de 9,8 pieds (3 m) de l'évier.
- Vous devez pouvoir charger la vaisselle facilement dans votre lave-vaisselle.
- Choisissez un emplacement qui vous permette d'ouvrir facilement la porte du lave-vaisselle et d'avoir un espace suffisant entre l'appareil et les parois l'entourant (au moins 0,1 po (2 mm)).
- ✍ Si le lave-vaisselle est installé dans un angle, assurez-vous qu'il se trouve à au moins 2 po (50 mm) du mur ou des parois l'entourant sur la gauche ou la droite
- Le mur à l'arrière doit être libre de toute obstruction.

Si ce lave-vaisselle est installé en remplacement d'un ancien modèle, assurez-vous de vérifier la compatibilité des

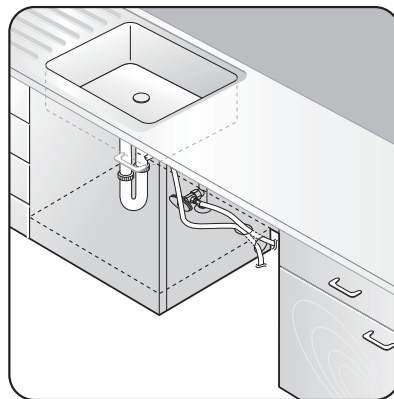
1. À l'aide d'une scie-cloche de 2 pouces $\frac{1}{2}$ découpez un trou sur le côté du meuble supportant l'évier, comme indiqué dans la Figure 1-1 ci-dessous
 2. Si la base à l'intérieur du meuble de l'évier est surélevée par rapport au sol de la cuisine et se trouve au-dessus des raccordements du lave-vaisselle, percez un trou dans la base et sur le côté du meuble, comme indiqué sur la Figure 1-2.
- ✍ En fonction de l'emplacement de votre prise électrique, vous aurez peut-être besoin de percer un trou sur le côté opposé du meuble.

<Figure 1-1>



Trou pour le tuyau d'arrivée d'eau, le tuyau d'évacuation et les câbles d'alimentation.

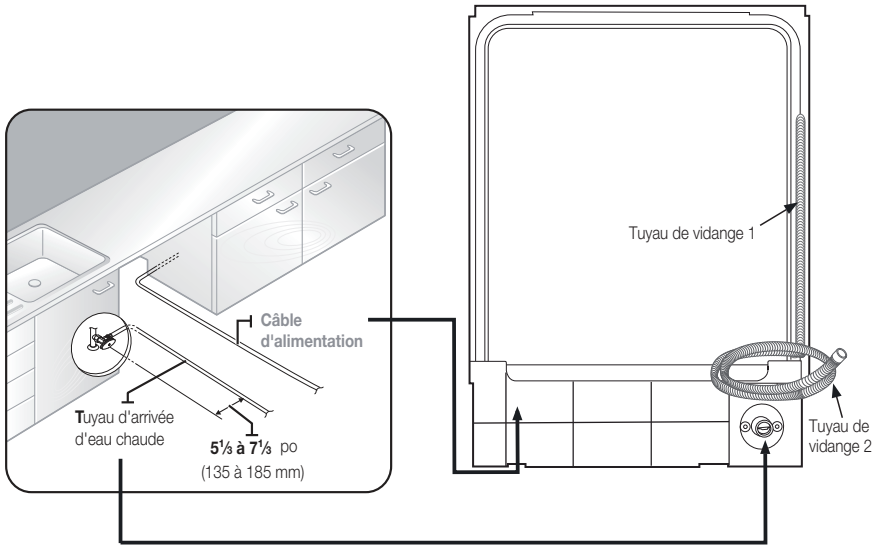
<Figure 1-2>



ÉTAPE 3 VÉRIFIER LES NORMES ET LES MISES EN GARDE À RESPECTER POUR L'ARRIVÉE D'EAU

- La pression de l'arrivée d'eau chaude doit se situer entre 20 et 120 psi (140 et 830 kPa).
- Réglez le chauffe-eau de façon à ce que l'eau chaude se situe entre 120 °F (49 °C) et 149 °F (65 °C)
 - Le lave-vaisselle doit être raccordé à une arrivée d'eau chaude comprise entre 120 °F (49 °C) et 149 °F (65 °C). Plage de température conseillée pour un résultat de lavage optimal et pour un temps de cycle plus court. Une température supérieure à 149 °F (65 °C) risque d'endommager la vaisselle.
 - Assurez-vous d'avoir fermé la vanne d'arrivée d'eau avant de raccorder le tuyau d'arrivée d'eau chaude au lave-vaisselle.
 - Scellez les raccords du tuyau d'arrivée d'eau chaude avec du ruban Téflon ou un composé d'étanchéité pour arrêter une fuite d'eau.
 - Le tuyau de vidange 2 relié au tuyau de vidange 1 avec un collier de serrage doit être passé par le trou dans la paroi latérale afin qu'il puisse se connecter à la sortie du drain de l'évier. Lorsque vous installez le lave-vaisselle, assurez-vous qu'il n'y a rien sur le tuyau de vidange et veillez à ne pas le déchirer pendant l'installation.

<Figure 2>



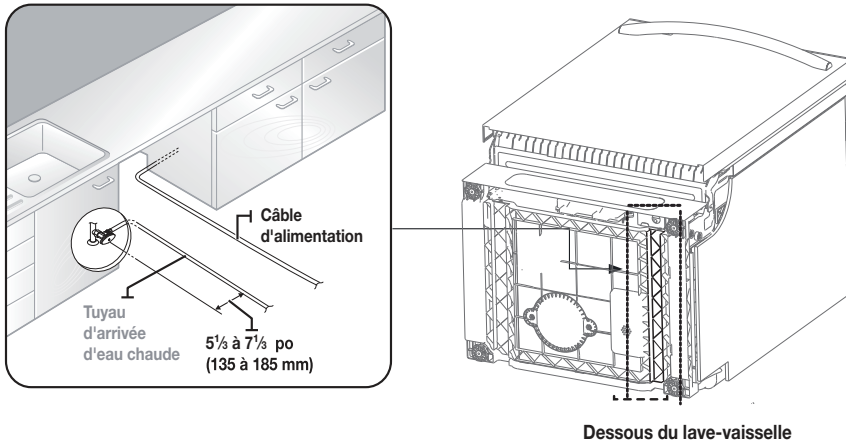
installation du lave-vaisselle

ÉTAPE 4 VÉRIFIER LES NORMES ET LES MISES EN GARDE ÉLECTRIQUES

Exigences électriques à respecter pour le lave-vaisselle

- Aux États-Unis, l'installation doit être conforme au National Electric Code (Code américain sur les installations électriques), aux normes régionales et municipales et/ou aux codes locaux.
- Au Canada, l'installation doit être conforme au Code canadien de l'électricité C22.1 (dernière version), aux normes municipales et provinciales et/ou aux codes locaux.
- Pour le branchement direct des câbles:
 - Utilisez un câble en cuivre flexible avec gaine armée ou non métallique, doté d'un fil de mise à la terre et conforme aux exigences de câblage pour vos codes et décrets locaux.
 - Utilisez le réducteur de tension fourni avec la boîte de jonction de câblage ou installez un connecteur à collier répertorié UL/certifié CSA sur la boîte de jonction de câblage. Si vous utilisez une gaine, choisissez un connecteur à gaine répertorié UL/certifié CSA.

<Figure 3>



ÉTAPE 5 DÉBALLER ET INSPECTER LE LAVE-VAISSELLE

Déballer le lave-vaisselle dans une pièce dépourvue d'obstructions, aussi bien autour du carton qu'en hauteur. Nous vous conseillons de conserver le carton ainsi que tous les matériaux d'emballage jusqu'à ce que le lave-vaisselle soit entièrement installé et opérationnel, afin de vous assurer que vous avez bien retiré du carton tous les composants de l'appareil avant de le jeter.

Déballage

1. Placez le carton à l'endroit, de telle sorte que les flèches pointent vers le haut.
2. Défaites ou coupez les quatre liens maintenant le dessus du carton fermé.
3. Tirez sur le haut du carton télescopique afin de l'extraire du support de protection et de l'appareil, puis retournez-le et posez-le sur le sol.
4. Rangez les liens et les matériaux d'emballage situés autour du lave-vaisselle dans le carton en vérifiant qu'ils soient intacts.
5. Trouvez la plaque de protection et mettez-la de côté.



6. Retirez le lave-vaisselle de son support de protection en le soulevant, puis posez-le doucement sur le sol. Placez le support de protection dans le carton.
7. Retirez le sac qui protège le lave-vaisselle pendant le transport.



SOULEVEZ TOUJOURS le lave-vaisselle **POUR LE DÉPLACER**. Si vous le faites glisser sur des surfaces inégales, vous risquez d'endommager les pieds du lave-vaisselle et faire glisser les pieds sur une surface finie peut, dans certains cas, endommager le revêtement du sol ou la surface sous-jacente.

8. Nous vous conseillons de laisser en place les matériaux d'emballage se trouvant à l'intérieur du lave-vaisselle jusqu'à ce que celui-ci soit installé.
9. **NE RETIREZ** en aucun cas le revêtement d'absorption acoustique entourant l'extérieur de la cuve du lave-vaisselle.

Inspection

Éléments mécaniques

1. Vérifiez que l'ensemble de la base en plastique est intacte.
2. Vérifiez que les pieds du lave-vaisselle sont en place et opérationnels afin que vous puissiez mettre à niveau et fixer l'appareil.
3. Vérifiez que tous les composants visibles à la base du lave-vaisselle sont intacts et correctement fixés.
4. Vérifiez que le loquet de la porte et les charnières fonctionnent et que la porte est correctement fixée au lave-vaisselle.

installation du lave-vaisselle

Éléments de plomberie

1. Vérifiez le raccord de l'arrivée d'eau chaude sur le côté avant gauche de la base du lave-vaisselle. La plaque de montage doit être fixée à l'avant de la base, les filetages à l'intérieur du raccord doivent être réguliers et brillants. De plus, la zone doit être propre et exempte de tout débris.
2. Vérifiez que les boîtiers du frein et du capteur sont intacts et que tous les raccords sont correctement fixés.
3. Vérifiez que le tuyau d'évacuation n'est pas percé ou déformé afin d'éviter tout risque de fuite d'eau lors de l'évacuation.

Éléments électriques

1. Vérifiez que le cache de la boîte de jonction est fixé à cette dernière sur le côté avant droit du lave-vaisselle.
2. Vérifiez que le boîtier électrique n'a pas été endommagé lors du transport et qu'il est correctement fixé sur la base du lave-vaisselle.

État général

1. Vérifiez l'absence de coups ou de rayures sur l'avant du lave-vaisselle.
2. Vérifiez que les arêtes de la porte sont en parfait état.
3. Vérifiez que le panneau de commande n'est pas rayé et que tous les voyants de contrôle sont au bon endroit.

Pièces

1. Vérifiez que vous êtes bien en possession de toutes les pièces mentionnées lors de l'Étape 1, en page 6.

ÉTAPE 6 PRÉPARER LE LAVE-VAISSELLE

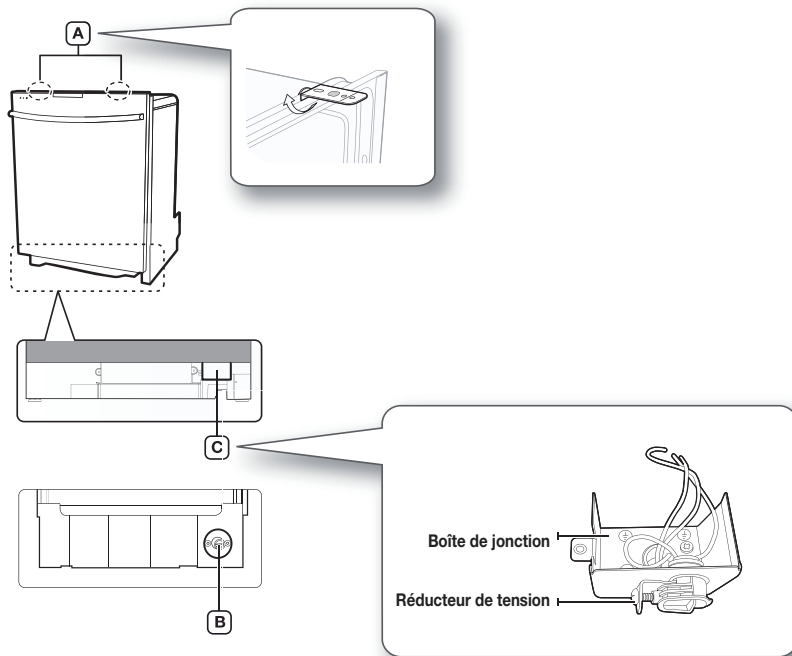
1. Assurez-vous que le disjoncteur et la vanne d'arrivée d'eau sont bien coupés avant d'effectuer les étapes suivantes



Avant de déplacer ou de coucher le lave-vaisselle pour l'installation, assurez-vous de régler la hauteur des pieds de sorte qu'ils soient aussi courts que possible. Cela permet d'éviter que les pieds ne se cassent. Mettez le lave-vaisselle à niveau en réglant la hauteur des pieds une fois l'appareil en place.

2. Assurez-vous qu'il n'y a pas de nœuds et que le tuyau n'est pas courbé selon des angles extrêmes pouvant freiner l'écoulement de l'eau.
3. À l'aide d'un tournevis, retirez le cache de la boîte de jonction située dans la partie inférieure droite, à l'avant du lave-vaisselle, puis installez le réducteur de tension (Figure 4 - C). Conservez précieusement le cache de la boîte de jonction que vous avez retiré. Il sera utilisé lors de l'Étape 11, Raccorder les câbles.
4. Si le plan de travail est en bois ou dans un matériau qui ne risque pas d'être endommagé par le perçage, fixez les deux (2) supports d'installation fournis avec le lave-vaisselle à l'aide des vis fournies (Figure 4 - A). Ils seront utilisés lors de l'Étape 9, Fixer le lave-vaisselle.

<Figure 4>



ATTENTION

Ne serrez pas à l'excès le coude à 90°.
(Moins de 280 lb po (31,6 Nm))
Vous risqueriez d'endommager la vanne
d'arrivée d'eau et de provoquer une fuite d'eau.

installation du lave-vaisselle

ÉTAPE 7 METTRE EN PLACE LE LAVE-VAISSELLE ET RACCORDER LE TUYAU D'ARRIVÉE D'EAU CHAUDE

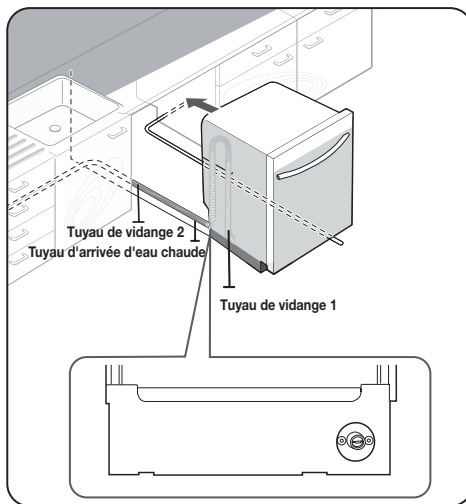
1. Ajustez les trois pieds de mise à niveau situés sous le lave-vaisselle après avoir mesuré la hauteur de l'ouverture du meuble (espace situé entre la face inférieure du plan de travail et le sol). (Voir Étape 8, Mise à niveau du lave-vaisselle.)
2. Localisez le tuyau d'arrivée d'eau chaude et le câble d'alimentation.
3. Installez le lave-vaisselle de telle manière que le câble d'alimentation passe dans la gouttière droite de la base de l'appareil. Utilisez du ruban pour conduits standard ou des serre-câbles pour fixer le câble électrique sur leurs gouttières adjacentes dans la base. Cela permet d'éviter que le câble électrique ne soit écrasé lorsque vous pousserez le lave-vaisselle dans son logement.
4. Faites passer le tuyau d'évacuation à travers le trou de la paroi latérale du meuble sous évier. Vérifiez qu'il n'est pas plié.
5. Assurez-vous que le tuyau d'arrivée d'eau chaude n'est pas vrillé et connectez-le au coude.
6. Faites glisser doucement le lave-vaisselle dans son emplacement. Si possible, tirez doucement sur les longueurs en excès du tuyau d'arrivée d'eau, du tuyau d'évacuation ou du câble d'alimentation pendant l'opération. Demandez l'aide d'une deuxième, voire d'une troisième personne si nécessaire.



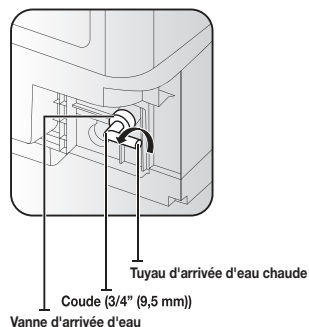
Assurez-vous de ne pas poser le lave-vaisselle sur le tuyau d'arrivée d'eau, le tuyau d'évacuation ou le câble d'alimentation.

Assurez-vous aussi qu'ils ne sont ni pliés ni tordus.

<Figure 6>



<Figure 7>

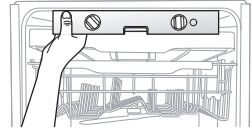


ATTENTION

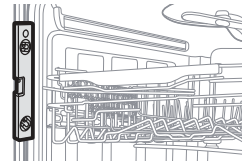
Ne serrez pas le raccord de 90° à l'excès.
(Moins de 280 lb po (31,6 Nm))
Vous risqueriez d'endommager la vanne
d'arrivée d'eau et de provoquer une fuite
d'eau.

ÉTAPE 8 METTRE À NIVEAU LE LAVE-VAISSELLE

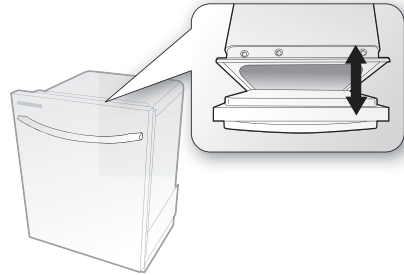
1. Ouvrez la porte et placez le niveau contre le haut de la cuve située à l'intérieur et vérifiez si le lave-vaisselle est de niveau.
S'il n'est pas de niveau, faites tourner les pieds de mise à niveau situés au bas à l'avant du lave-vaisselle jusqu'à ce que ce dernier soit de niveau.
Reportez-vous à la première remarque ci-dessous pour connaître les instructions d'ajustement de la hauteur des pieds avant.



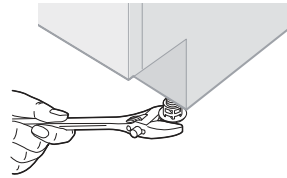
2. Utilisez le niveau pour vérifier si le lave-vaisselle est de niveau d'avant en arrière, comme indiqué sur la figure de droite.
Si le lave-vaisselle n'est pas de niveau d'avant en arrière, ajustez la hauteur du pied arrière jusqu'à ce que le lave-vaisselle soit de niveau.
Reportez-vous à la deuxième remarque ci-dessous pour connaître les instructions d'ajustement du pied arrière.



3. Ouvrez la porte du lave-vaisselle et vérifiez si les dégagements de la porte et de la cuve sont corrects.
Si ce n'est pas le cas, faites tourner les pieds de mise à niveau au bas à l'avant du lave-vaisselle. Vous pouvez également vérifier cela en plaçant un niveau contre une surface verticale avant de la cuve, à l'intérieur.



- ☞ Si vous faites tourner les pieds de mise à niveau sur la droite (sens antihoraire), ils se dévissent et l'avant du lave-vaisselle remonte.
Si vous les faites tourner vers la gauche (sens horaire), ils se resserrent et l'avant du lave-vaisselle s'abaisse.




ATTENTION Avant de déplacer le lave-vaisselle pour l'installation, assurez-vous de régler la hauteur des pieds de sorte qu'ils soient aussi courts que possible. Cela permet d'éviter que les pieds ne se cassent. Mettez le lave-vaisselle à niveau en réglant la hauteur des pieds une fois l'appareil en place.

ATTENTION Le lave-vaisselle peut fuir s'il est incliné de plus de 1 degré

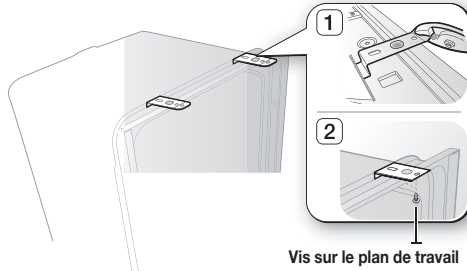
installation du lave-vaisselle

ÉTAPE 9 FIXER LE LAVE-VAISSELLE

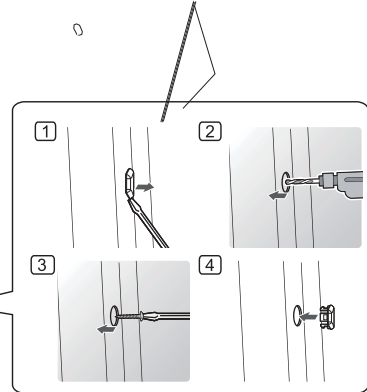
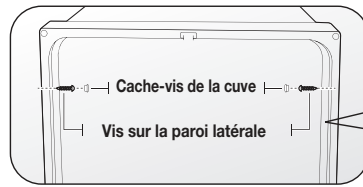
Le lave-vaisselle doit être fixé au plan de travail ou aux parois latérales du meuble pour plus de stabilité et de sécurité.

1. Si le plan de travail est en bois ou si son matériau ne sera pas endommagé par un perçage, suivez les instructions fournies dans la section **2-1** ci-dessous.
Si le plan de travail est en granite, marbre ou tout autre matériau qui peut être endommagé par un perçage, suivez les instructions fournies dans la section **2-2** ci-dessous.
 - 2-1. Si les supports d'installation à l'avant du lave-vaisselle dépassent, coupez-les à l'aide d'une pince coupante comme indiqué sur la Figure 8 en page suivante.
Placez une grande serviette au fond du lave-vaisselle afin d'empêcher que des copeaux de bois ou une vis ne tombent dans l'appareil.
Percez soigneusement des trous de vis sous le plan de travail en faisant passer le foret de la perceuse dans un trou de vis de chaque support. Percez ensuite sous le plan de travail par en-dessous.
Assurez-vous que le trou que vous percez soit plus petit que le diamètre de la vis.
Insérez les vis fournies dans les supports, puis serrez-les pour fixer le lave-vaisselle au plan de travail.
 - 2-2. Placez une grande serviette au fond du lave-vaisselle afin d'empêcher que des copeaux de bois ou une vis ne tombent dans l'appareil. Retirez les cache-vis de la cuve en utilisant la pointe d'un tournevis. Les cache-vis se situent de chaque côté de la cuve, juste à l'intérieur, en haut (Figure 9 en page suivante).
Percez un trou de chaque côté du meuble en faisant passer soigneusement le foret de la perceuse dans les trous de vis dévoilés par le retrait des cache-vis. Percez ensuite en dessous du côté du meuble.
Assurez-vous que le trou que vous percez soit plus petit que le diamètre de la vis.
Veillez également à ce que le foret de la perceuse ne heurte pas les côtés des trous des cache-vis. Insérez les vis fournies dans les trous, puis serrez-les pour fixer le lave-vaisselle au meuble. Vérifiez que la cuve n'est pas déformée sous la pression des vis.
Si la cuve est déformée, desserrez un peu les vis.
Réinstallez les cache-vis de la cuve.
-  • Lorsque vous travaillez porte ouverte, une vis ou un cache-vis de la cuve risque de tomber dans le lave-vaisselle. Pour éviter cela, recouvrez l'intérieur du lave-vaisselle avec une serviette. Un corps étranger, tel qu'une vis, tombé dans le lave-vaisselle risquerait de provoquer des bruits, un fonctionnement anormal, des dommages ou un dysfonctionnement de l'appareil.
 - Utilisez un tournevis magnétique pour éviter que les vis ne tombent dans l'appareil.
 - Si vous faites tomber un corps étranger (tel qu'une vis) dans le lave-vaisselle et que vous ne parvenez pas à l'en retirer, l'appareil devra être démonté. Dans un tel cas, prenez contact avec un technicien de service qualifié.

<Figure 8>



<Figure 9>

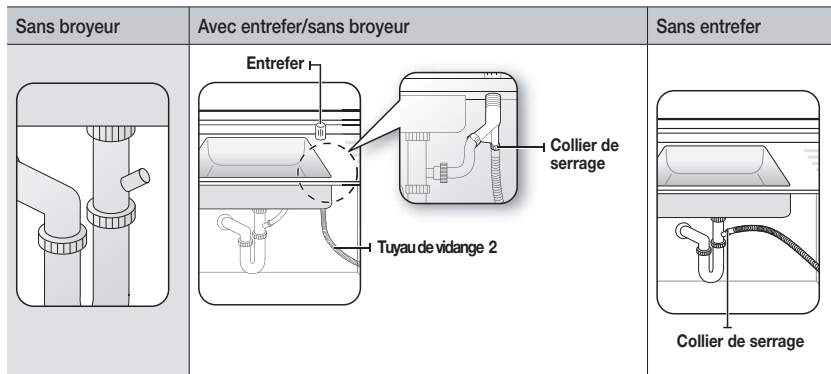


ÉTAPE 10 RACCORDER LE TUYAU D'ÉVACUATION

1. Contrôlez les pièces sur l'évier auxquelles le tuyau d'évacuation sera raccordé.
2. Il existe plusieurs façons d'insérer le tuyau d'évacuation dans le raccord du tuyau d'évacuation de l'évier (reportez-vous aux figures suivantes). Le raccordement du tuyau d'évacuation doit se faire conformément aux règlements sur l'installation de tuyaux d'eau en vigueur dans votre région.

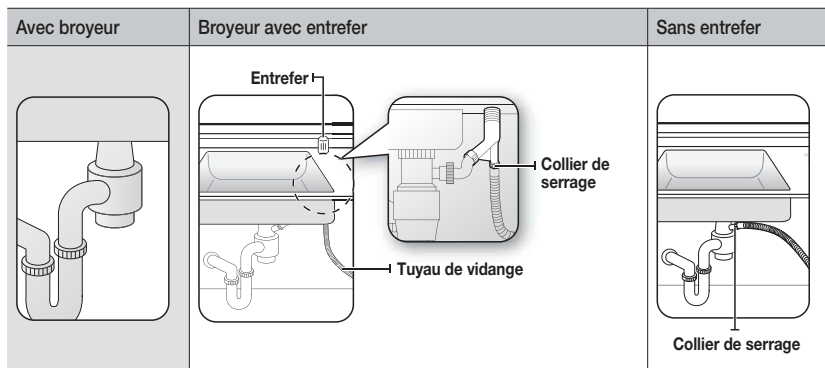
<Figure 10>



Premier cas. Sans broyeur



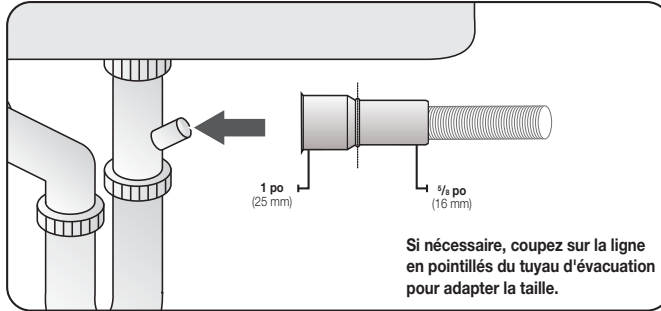
installation du lave-vaisselle

Deuxième cas. Avec broyeur

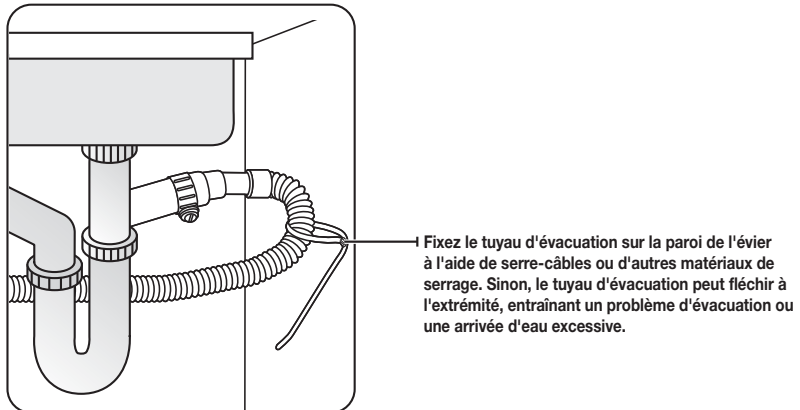


- Vérifiez la taille du raccord du tuyau d'évacuation de l'évier. Au besoin, coupez le tuyau d'évacuation pour que son extrémité s'adapte au raccord de l'évier (1" ou 5/8", comme indiqué sur la Figure 11 ci-dessous). Si l'extrémité du tuyau d'évacuation n'est pas adaptée au raccord du tuyau d'évacuation de l'évier, utilisez un adaptateur en vente dans n'importe quel magasin de plomberie/matériel.
 - Faites glisser un collier de serrage sur l'extrémité du tuyau d'évacuation. Fixez le tuyau d'évacuation au raccord de l'évier, faites glisser le collier de serrage jusqu'à l'extrémité du tuyau et serrez le collier.
Remarque : l'utilisation d'un collier de serrage est obligatoire. Ne pas en utiliser risque d'entraîner des fuites d'eau.
 - S'il n'y a pas d'entrefer, assurez-vous d'accrocher la partie centrale du tuyau de vidange bien au-dessus de la base du meuble sous-évier pour empêcher le retour d'eau (reportez-vous à la Figure 13 en page suivante).
 - Lorsque vous percez un trou dans le tuyau d'évacuation sur la paroi du meuble, veillez à ce que les bords tranchants du trou n'endommagent pas le tuyau d'évacuation. Sur les parois en bois, utilisez du papier abrasif pour poncer et rendre les bords plus lisses. Sur les parois métalliques, utilisez du ruban isolant ou du ruban pour conduits pour couvrir les bords tranchants autour du trou.
 - Veillez à ne pas endommager le tuyau d'évacuation lors de l'installation du lave-vaisselle sur le sol, le mur ou le meuble.
-  Pour éviter toute fuite ou problème d'évacuation, assurez-vous que le tuyau d'évacuation n'est pas endommagé, plié ou vrillé.
- Ne coupez pas la zone plissée sur le tuyau d'évacuation pour adapter la taille. Lors de l'installation du tuyau d'évacuation, veillez à ne pas toucher les bords tranchants du meuble ou sous l'évier.
-  **ATTENTION**
- Soyez prudent lorsque vous coupez l'extrémité du tuyau d'évacuation. Vous risquez de vous blesser. Nettoyez la partie entourant le raccord d'évacuation de l'évier pour éviter d'endommager le tuyau. Assurez-vous de l'absence de tout corps étranger dans le tuyau d'évacuation. S'il y en a, retirez-les.
 - Lors de l'installation du tuyau d'évacuation, assurez-vous que le tuyau d'évacuation n'a pas été coupé, déchiré ou cassé par un bord tranchant du sol, de l'appareil lui-même ou du meuble. Un tuyau d'évacuation endommagé peut entraîner une fuite.

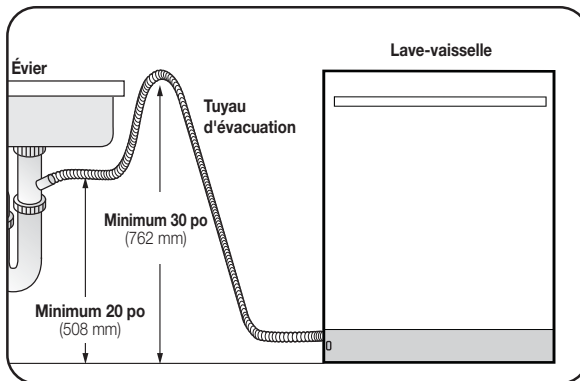
<Figure 11>



<Figure 12>



<Figure 13>

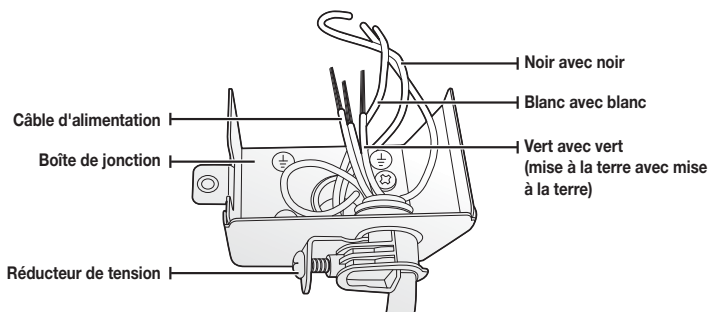


installation du lave-vaisselle

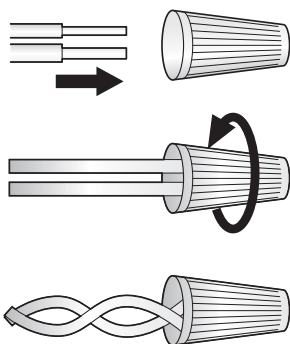
ÉTAPE 11 RACCORDER LES CÂBLES

1. Avant de raccorder le câble d'alimentation au lave-vaisselle, assurez-vous d'avoir coupé le disjoncteur.
2. Dans la boîte de jonction située en bas à droite et à l'avant du lave-vaisselle, localisez les trois fils d'alimentation du lave-vaisselle, y compris le câble de mise à la terre.
3. Passez le câble d'alimentation dans le réducteur de tension, puis dans la boîte de jonction (Figure 14).
4. Raccordez le fil noir du lave-vaisselle au fil noir du câble d'alimentation en les insérant tous les deux dans un serre-fils et en tournant le connecteur, comme indiqué sur la Figure 15.
Raccordez le fil blanc au fil blanc et le fil vert au fil vert de la même manière.
5. Vérifiez à nouveau chaque câble afin de vous assurer qu'il est correctement et fermement branché.
Chaque câble coloré doit être branché au câble correspondant de la même couleur.
Le blanc doit être branché avec le blanc, le noir avec le noir et le vert avec le vert.
6. Réinstallez ensuite le cache de la boîte de jonction du lave-vaisselle.

<Figure 14>



<Figure 15>



AVERTISSEMENT


Risque d'électrocution

Pour éviter toute électrocution, ne travaillez pas avec un circuit sous tension. Cela pourrait entraîner des blessures graves voire mortelles. Seuls des électriciens qualifiés doivent effectuer des travaux électriques. Ne tentez aucune action sur le circuit d'alimentation électrique du lave-vaisselle tant que vous n'êtes pas certain que le circuit est hors tension.

AVERTISSEMENT


Risque d'incendie

Pour éviter tout incendie, assurez-vous que les circuits électriques sont correctement installés. Seuls des électriciens qualifiés doivent effectuer des travaux électriques.

-  Vérifiez à nouveau chaque câble afin de vous assurer qu'il est correctement et fermement branché.
Chaque câble coloré doit être branché au câble correspondant de la même couleur.

ÉTAPE 12 TERMINER L'INSTALLATION

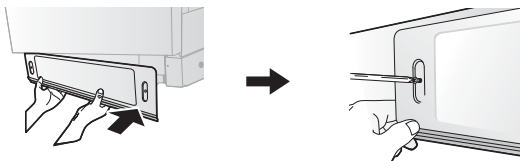
1. Ouvrez la porte du lave-vaisselle et retirez toute la mousse, l'emballage en papier et tout ce qui est inutile.
2. Remettez alors sous tension le disjoncteur que vous aviez coupé avant de commencer l'installation.
3. Ouvrez ensuite la vanne d'arrivée d'eau pour amener l'eau jusqu'au lave-vaisselle.
4. Allumez le lave-vaisselle, puis sélectionnez et lancez un cycle.

 Assurez-vous qu'il se met correctement sous tension et qu'il n'y a aucune fuite d'eau lorsque le lave-vaisselle est en marche. Si aucun problème ne survient pendant son utilisation, éteignez le lave-vaisselle, puis passez à l'Étape 5 ci-dessous.

Si un problème survient, éteignez le lave-vaisselle, fermez la vanne d'arrivée d'eau et consultez le manuel d'utilisation ou appelez le centre d'assistance technique au 1-800-SAMSUNG (726-7864).


 **ATTENTION** Vérifiez l'absence de fuites d'eau au niveau des deux extrémités du tuyau d'arrivée d'eau et du raccordement du tuyau d'évacuation.

5. Assurez-vous que le joint d'étanchéité de la plaque de protection se trouve bien en bas de la plaque de protection. Installez la plaque de protection en vous reportant à la figure ci-dessous.



caractéristiques techniques

Alimentation	120 V, 60 Hz CA uniquement
Pression d'eau	20 à 120 psi (140 à 830 kPa)
Dimensions (largeur x profondeur x hauteur)	23 ³ / ₄ x 24 ⁵ / ₈ (Excluant la poignée) x 33 ³ / ₄ pouce. [604 x 625 (Excluant la poignée) X 858 mm] (Séries DW80N3030)
Température nominale de l'arrivée d'eau	120 °F (49 °C)

 Les caractéristiques techniques sont susceptibles d'être modifiées sans préavis, à des fins d'amélioration de la qualité.
Le lave-vaisselle peut différer des illustrations présentées dans le présent manuel.

remarques

SAMSUNG

DW80N3030 Series

Lavavajillas

Guía de instalación



Estas instrucciones de instalación son para el uso de instaladores cualificados.

Si tiene problemas para instalar este lavavajillas por favor llame al: **1-800-SAMSUNG (726-7864)**
Para asistencia: www.samsung.com

Imagine las posibilidades

Gracias por adquirir este producto Samsung.







SAMSUNG

Instrucciones de seguridad

A lo largo de este manual, verá las notas de advertencia y precaución. Estas advertencias, precauciones y las importantes instrucciones de seguridad que siguen no cubren todas las posibles condiciones y situaciones que pueden ocurrir. Es su responsabilidad usar el sentido común, la precaución y el cuidado al instalar, mantener y operar el lavavajillas. Samsung no se hace responsable de los daños resultantes del uso indebido.




INSTRUCCIONES DE SEGURIDAD IMPORTANTES

Lo que significan los iconos y signos de esta guía de instalación:

 ADVERTENCIA	Peligros o prácticas inseguras que pueden resultar en lesiones personales graves o defunción.
 PRECAUCIÓN	Peligros o prácticas inseguras que pueden resultar en lesiones personales o propiedades daños.
 PRECAUCIÓN	Para reducir el riesgo de incendio, explosión, descarga eléctrica o lesiones utilizando el lavavajillas, siga estas precauciones básicas de seguridad:
	Siga las instrucciones explícitamente.
	Asegúrese de que la máquina esté conectada a tierra para evitar descargas eléctricas.
	Llame al centro de servicio para obtener ayuda.

Estas señales de advertencia están aquí para prevenir lesiones a usted y a otros. Sígalas tal como se indican.

Después de leer esta sección, guárdela en un lugar seguro para su consulta futura.

-  Lea todas las instrucciones antes de usar el aparato.
Instale y guarde el lavavajillas en interiores, lejos de la exposición al clima.
-  **PRECAUCIÓN** No instale el lavavajillas cerca de componentes eléctricos. Mantenga el lavavajillas alejado de las llamas abiertas.
NO instale el lavavajillas sobre una alfombra, ya que es un peligro de incendio.
NO instale el lavavajillas en un lugar donde el agua pueda congelarse (cuando la temperatura cae por debajo de 32°F (0 ° C)). El agua congelada en las mangueras o tuberías puede dañar el lavavajillas.
Al igual que con todos los equipos que utilizan electricidad, agua y partes móviles, existen peligros potenciales. Para operar con seguridad este aparato, familiarícese con su funcionamiento y cuidado al usarlo.
-  El lavavajillas debe estar debidamente conectado a tierra. Nunca lo conecte a una toma de tierra sin conexión a tierra.
Antes de retirar el lavavajillas original e instalar su nueva unidad, asegúrese de apagar el interruptor automático. No conecte el lavavajillas hasta que haya terminado la instalación. La conexión del cable de alimentación es el último paso al instalar el lavavajillas.
Todo el cableado y puesta a tierra debe hacerse de acuerdo con el código eléctrico aplicable a la región.

INSTRUCCIONES DE CONEXIÓN A TIERRA

Para un aparato conectado permanentemente:

Este electrodoméstico debe conectarse a un metal conectado a tierra, un sistema de cableado permanente o un conductor de puesta a tierra del equipo debe conectarse a los conductores del circuito y conectarse al terminal de puesta a tierra del equipo o al cable del aparato.

El lavavajillas es muy pesado. No intente mover ni llevar un lavavajillas solo. Se necesitan dos o más personas para mover un lavavajillas y evitar lesiones potenciales.



PRECAUCIÓN

Si el cable de alimentación está dañado, debe ser reemplazado por el fabricante, un agente de servicio o una persona cualificada para evitar un peligro.



PRECAUCIÓN

No toque el cable de alimentación con las manos mojadas.



PRECAUCIÓN

No conecte otro aparato a la misma toma de corriente que el lavavajillas.

Asegúrese de usar una nueva línea de suministro de agua. Las líneas antiguas son susceptibles de rotura porque se endurecen y pueden causar daños a la propiedad debido a una fuga de agua.

El lavavajillas debe conectarse a una fuente de agua caliente con una temperatura entre 120 °F (49 °C) y 149 °F (65 °C). Este rango de temperatura proporciona el mejor resultado de lavado y el menor tiempo de ciclo. La temperatura no debe exceder los 149 °F (65 °C) para evitar daños a la vajilla. Asegúrese de que el agua suministrada al lavavajillas no se congele. El agua congelada puede dañar las mangueras, las válvulas, la bomba u otros componentes.

Los lavavajillas residenciales certificados no están destinados a establecimientos de alimentos con licencia.

(Norma NSF / ANSI 184 para lavavajillas residenciales)

Para obtener una lista completa de información de seguridad, consulte el Manual del usuario.

ANTES DE INSTALAR EL LAVAVAJILLAS



ADVERTENCIA

ADVERTENCIA



Peligro de sobrecarga

- No utilice el lavavajillas hasta que esté correctamente instalado.
- No empuje hacia abajo la puerta cuando está abierta.
- No coloque un peso excesivo en la puerta abierta.



Peligro de choque eléctrico

El incumplimiento de estas instrucciones puede provocar la muerte, incendio o descarga eléctrica:

- Conecte a tierra el lavavajillas
- Conecte el cable de tierra al conector de tierra verde en la caja de conexiones.
- No utilice un cable de extensión.

Para reducir el riesgo de choque eléctrico, incendio o lesiones personales, el instalador debe asegurarse de que el lavavajillas esté completamente cerrado en el momento de la instalación.

Contenido

PREPARACIÓN DEL LAVAVAJILLAS

5

- 5 Dimensiones del producto
- 5 Dimensiones del recinto

RECINTO

6

- 6 PASO 1 Compruebe las piezas y herramientas
- 8 PASO 2 . Seleccionar la mejor ubicación para el lavavajillas
- 9 PASO 3 Comprobar los requisitos y precauciones de suministro de agua
- 10 PASO 4 Comprobar los requisitos eléctricos y las precauciones
- 11 PASO 5 Desembalar e inspeccionar el lavavajillas
- 13 PASO 6 Preparar el lavavajillas
- 14 PASO 7 Colocar el lavavajillas y conectar la línea de suministro de agua caliente
- 15 PASO 8 Nivelar el lavavajillas
- 16 PASO 9 Asegurar el lavavajillas
- 17 PASO 10 Conectar la manguera de desagüe
- 20 PASO 11 Conectar cableado
- 21 PASO 12 Completar la instalación

INSTALACIÓN DEL LAVAVAJILLAS

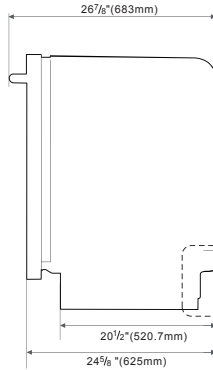
22

Preparación del embalaje del lavavajillas

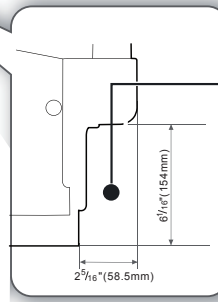
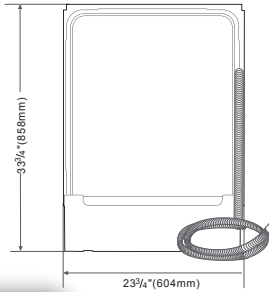
DIMENSIONES DEL PRODUCTO

Vista lateral

Serie DW80N3030



Vista lateral



La línea de suministro de agua, el cable de alimentación y la manguera de drenaje deben pasar por este espacio detrás del lavavajillas.

A continuación, el cable de alimentación se ejecuta en los canales bajo el lavavajillas a las conexiones en la parte delantera.

DIMENSIONES DEL APARATO

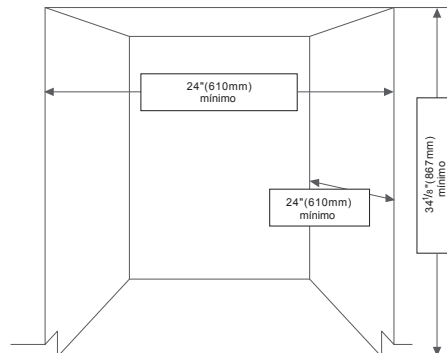


Este lavavajillas está diseñado para ser encerrado en la parte superior y en ambos lados por una unidad de cabina de cocina residencial estándar.

El recinto de la instalación debe estar limpia y libre de obstrucciones.

El recinto debe tener por lo menos 24 pulgadas de ancho, 24 pulgadas de profundidad y 34 1/8 pulgadas de alto.

Para que la puerta delantera del lavavajillas se mueva con el borde delantero de la encimera, la encimera debe tener al menos 25 pulgadas de profundidad.



Instalar el lavavajillas

Asegúrese de que usted o su instalador sigan estas instrucciones de cerca para que el nuevo lavavajillas funcione correctamente y que no esté en riesgo de lesiones al lavar los platos.

PASO 1 COMPROBAR LAS PARTES Y HERRAMIENTAS

Antes de comenzar la instalación, prepare todas las herramientas necesarias y las piezas necesarias para lavavajillas. Esto ahorrará tiempo de instalación y simplificará el proceso de instalación.

Piezas requeridas

Proporcionado con el lavavajillas. Compruebe cuándo desembala el lavavajillas en el Paso 5.



2 Soportes de instalación



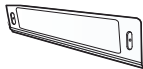
2 Tornillos de cabeza plana (para el soporte de instalación)



2 Tornillos (para la placa de apoyo)

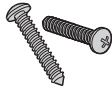


Brida para cables (para la manguera de drenaje 1)



Placa de protección

No proporcionado



2 Tornillos (para las paredes laterales)



Conector de torsión en el cable



Alivio de tensión



Cinta eléctrica y cinta de conducto estándar



Línea de suministro de agua caliente



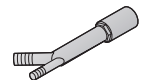
Codo de 90° (3/8")



Conexiones de tubos



Cinta de Teflon® o compuesto de sellado



Intervalo de aire



Conector de goma



Cable de energía



Para la línea de suministro de agua caliente - Recomendamos encarecidamente usar tubos de cobre O.D. de 3/8" con un racor de compresión o una línea de suministro de agua caliente trenzada flexible de acero inoxidable.



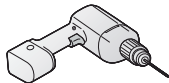


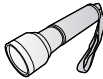

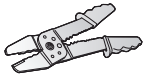
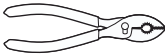
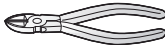
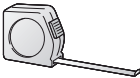



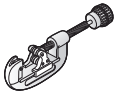
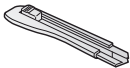



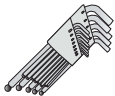
Advertencia



No utilice tubos de plástico. Los tubos de plástico pueden deteriorarse con el tiempo y causar una fuga dentro de la conexión del tubo.



También necesita un ajuste de 90° con roscas de tubos N.P.T. 3/4" externas en un extremo y un accesorio de tamaño adecuado para su línea de suministro de agua caliente (tubo de cobre/conexión de compresión o manguera trenzada) en el otro. Para el cable de alimentación, recomendamos un cable con revestimiento de 12-2 con tierra. Tenga en cuenta que algunos códigos locales pueden requerir que el cable tenga una chaqueta de metal estilo BX.

Herramientas necesarias

			
Taladro eléctrico	Lentes de seguridad	Guantes	Linterna
			
Llave ajustable	Separador de alambre	Alicates	Pinza
			
Cinta métrica	Lápiz	Destornillador Phillips	Destornillador plano
			
Cortador de tubos	Cuchillo de corte	Sierra perforadora	Nivel
			
Torque t20	Llave hexagonal en L		


-  **Nueva instalación**
Si el lavavajillas es una nueva instalación, la mayor parte del trabajo de instalación debe realizarse antes de que el lavavajillas se mueva en su lugar.
-  **Reemplazo**
Si el lavavajillas está reemplazando un lavavajillas viejo, debe verificar las conexiones del lavavajillas existente para la compatibilidad con el nuevo lavavajillas. Repare las conexiones existentes según sea necesario.

Instalar el lavavajillas


PASO 2 SELECCIONE LA MEJOR UBICACIÓN PARA EL LAVAVAJILLAS

Los siguientes criterios son importantes para asegurar la mejor ubicación para el lavavajillas:

- La ubicación debe tener un piso sólido que sea capaz de soportar el peso del lavavajillas.
- La ubicación debe estar cerca de un fregadero con fácil acceso al suministro de agua, desagüe y toma de corriente.

 Para que el desagüe funcione correctamente, el lavavajillas debe instalarse a 9,8 m (3 pies) del fregadero.

- La ubicación debe permitir que cargue sus platos en el lavaplatos fácilmente.
- La ubicación debe tener espacio suficiente para que la puerta del lavavajillas se abra fácilmente y proporcione suficiente espacio entre el lavavajillas y los lados del armario (por lo menos 0,1 pulg. (2 mm)).

 Si el lavavajillas está instalado en una esquina, asegúrese de que el lado del lavavajillas esté a 2 pulgadas (50 mm) de la pared o el armario a su derecha o izquierda.

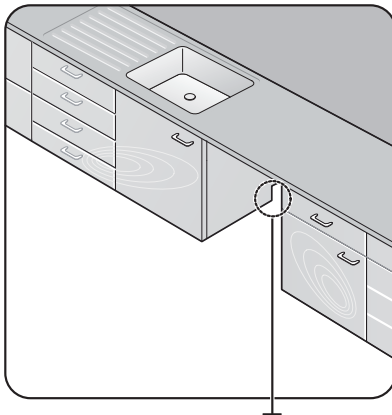
- La pared de la parte posterior debe estar libre de obstrucciones.

Si se trata de una instalación nueva, siga estos pasos:

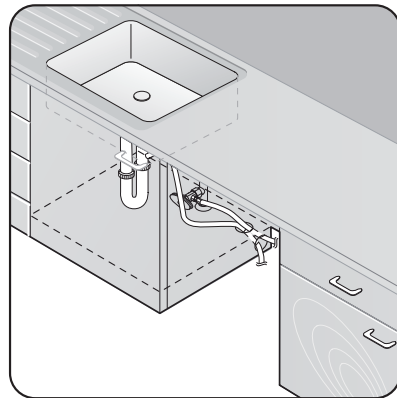
1. Usando una sierra de agujeros de 2 ½ pulgadas, corte un agujero en el lado del armario que sostiene el fregadero como se muestra en la Figura 1-1 abajo.
2. Si la base dentro del fregadero se eleva por encima del piso de la cocina y es más alta que las conexiones en el lavavajillas, haga un agujero en la base dentro del armario y en el lado del armario como se muestra en la Figura 1-2.

 Dependiendo de donde esté su enchufe eléctrico, usted puede necesitar cortar un agujero en el lado opuesto del armario.

<Figura 1-1>



<Figura 1-2>

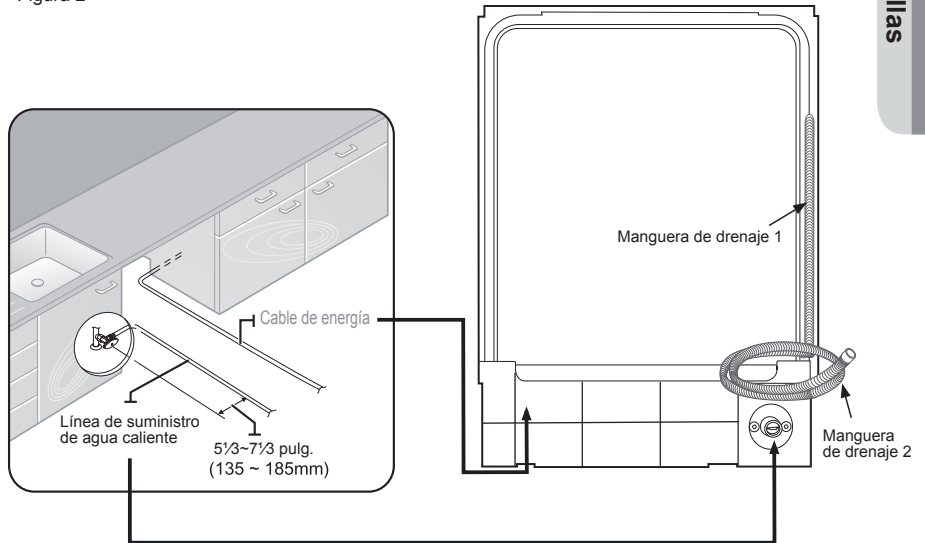


El agujero para la línea de suministro de agua, la manguera de desagüe y los cables de alimentación.

PASO 3 Compruebe los requisitos y precauciones de suministro de agua

- La presión de la línea de suministro de agua caliente debe estar entre 20 ~ 120 psi (140 ~ 830 kPa).
- Ajuste el calentador de agua para proveer agua entre 120 °F (49 °C) y 149 °F (65 °C).
 - El lavavajillas debe conectarse a un suministro de agua caliente entre 120°F (49 °C) y 149 °F (65 °C). Este rango de temperatura proporciona el mejor resultado de lavado y el menor tiempo de ciclo. La temperatura no debe exceder los 149 °F (65 °C) para evitar daños a la vajilla.
 - Asegúrese de que la válvula de suministro de agua esté apagada antes de conectar la línea de suministro de agua caliente al lavavajillas.
 - Selle las conexiones de la línea de suministro de agua caliente con cinta adhesiva o compuesto de sellado para detener cualquier fuga de agua.
 - Conecte la manguera de drenaje 2 a la manguera de drenaje 1 con la abrazadera disponible. A continuación, pase la manguera de drenaje 2 a través del agujero en la pared lateral para que se pueda conectar a la salida de drenaje del fregadero. Cuando instale el lavavajillas, asegúrese de que no hay nada en la manguera de drenaje y tenga cuidado de no dañar la manguera de drenaje durante la instalación.

<Figura 2>



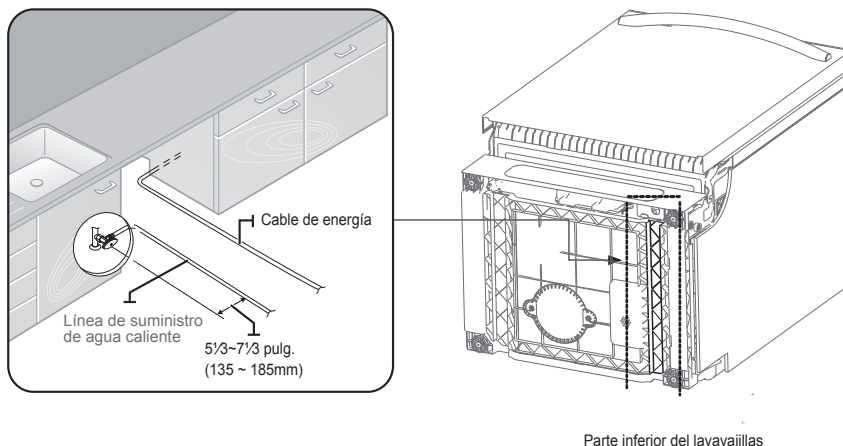
Instalar el lavavajillas

PASO 4 COMPRUEBE LOS REQUISITOS Y PRECAUCIONES ELÉCTRICAS

Los requisitos eléctricos para el lavavajillas son los siguientes:

- En los Estados Unidos, instale de acuerdo con los códigos del Código Eléctrico Nacional / Estatales y Municipales y / o códigos locales.
- En Canadá, instale de acuerdo con el Código Eléctrico Canadiense C22.1-última edición / códigos provinciales y municipales y / o códigos locales.
- Para conexiones directas de cable.
 - Utilice un alambre de cobre flexible, blindado o no metálico con un cable de tierra que cumpla con los requisitos de cableado para sus códigos y ordenanzas locales.
 - Utilice el método de alivio de tensión proporcionado con la caja de empalme del cableado o instale un conector de abrazadera certificado por CS / U.L. en la caja de empalme del cableado. Si utiliza un conducto, utilice un conector de conducto certificado en la lista U.L. / CSA.
 - Para las conexiones del cable de alimentación
 - El cable de alimentación debe conectarse a una toma de tierra de tres clavijas, conectada a tierra, ubicada en el armario junto a la abertura del lavavajillas. La toma de corriente debe cumplir con los códigos y ordenanzas locales. Utilice un kit de cable de alimentación certificado en la lista U.L. / CSA.
 - El lavavajillas debe estar conectado a un suministro eléctrico que proporcione el voltaje y amperaje marcados en la placa de características de la unidad: 15 amperios, 120 voltios, 60 Hz AC.
 - Asegúrese de que el disyuntor conectado al lavavajillas esté apagado.
 - El cable de alimentación no debe extenderse más de 4 pies (1,2 m) del lado del lavavajillas.
 - Consulte con un electricista o un técnico cualificado si no está seguro de si el lavavajillas está conectado correctamente.
 - No conecte otro aparato a la misma toma de corriente que el lavavajillas.
 - Antes de conectar el cable de alimentación al lavavajillas, asegúrese de que no haya riesgos eléctricos (que pueden producir incendios, explosiones, descargas eléctricas o lesiones personales).
 - El cable de alimentación debe pasar a través del canal en la parte inferior del lavavajillas como se muestra en la Figura 3.

<Figura 3>



PASO 5 DESEMBALAR E INSPECCIONAR EL LAVAVAJILLAS

Desmunte el lavavajillas en un área abierta libre de obstrucción tanto alrededor del cartón como por encima. Recomendamos que conserve el cartón y todos los materiales de embalaje hasta que el lavavajillas esté completamente instalado y en funcionamiento para asegurarse de que ha retirado todos los componentes del producto de la caja antes de desecharlos.

Desembalaje

1. Coloque el cartón con el lado derecho hacia arriba con las flechas superiores apuntando hacia arriba.
2. Desabroche o corte las cuatro correas que sujetan la parte superior del cartón.
3. Levante la parte superior de la caja telescópica, alejándola de la bandeja de cartón y del contenido, y luego gírela y colóquela en el piso.
4. Coloque las correas y todos los materiales de embalaje de alrededor del lavavajillas dentro de la parte superior del cartón, inspeccionándolos para detectar cualquier signo de daño.
5. Ubique y ponga a un lado la placa del plato del lavavajillas.



6. Levante el lavavajillas de la bandeja de cartón y luego colóquelo en el piso. Coloque la bandeja en la parte superior del cartón.
7. Retire la bolsa que protege el lavavajillas durante el transporte.



PRECAUCIÓN

Levante siempre el lavavajillas para moverlo. Deslizarlo sobre superficies ásperas puede dañar los pies del lavavajillas y deslizar los pies sobre superficies acabadas puede, en algunos casos, dañar el acabado o la superficie subyacente.

8. También hay embalaje en el interior del lavavajillas que es posible que desee dejar en su lugar hasta que el lavavajillas esté instalado.
9. NO quite, bajo ninguna circunstancia, el relleno absorbente de sonido que rodea el exterior del recipiente del lavavajillas.

Inspeccionando

Mecánico

1. Compruebe el montaje de la base de plástico para asegurarse de que esté intacto
2. Compruebe los pies del lavavajillas para asegurarse de que están en su lugar y se puede ajustar para que pueda nivelar y asegurar el lavavajillas.
3. Compruebe todos los componentes visibles en la parte inferior del lavavajillas para asegurarse de que estén intactos y seguros.
4. Compruebe el pestillo de la puerta, el funcionamiento de las bisagras y confirme que la puerta está bien asegurada al lavavajillas.

Instalar el lavavajillas

Plomería

1. Compruebe la conexión de agua caliente en el lado frontal izquierdo de la base del lavavajillas. La placa de montaje debe estar asegurada al posterior de la base, las roscas dentro de la conexión deben ser lisas y brillantes, y el área debe estar limpia y libre de cualquier escombros.
2. Compruebe los cajones de frenos y sensores de plástico para asegurarse de que estos conjuntos no estén agrietados y que todas las conexiones estén bien aseguradas.
3. Revise la manguera de desagüe para detectar cualquier agujero o deformidad que podría permitir una fuga de agua durante el drenaje.

Eléctrico

1. Confirme que la cubierta de la caja de conexiones esté asegurada a la caja de conexiones en el lado frontal derecho de la base del lavavajillas.
2. Confirme que la caja eléctrica no se dañó durante el transporte y que está asegurada a la base del lavavajillas.

Apariencia

1. Confirme que no hay abolladuras ni arañazos en la parte delantera del lavavajillas.
2. Compruebe los bordes de las puertas de cualquier rugosidad o agrietamiento
3. Compruebe el panel de control para asegurarse de que está claro y sin arañazos, y que todos los marcadores de control están en sus lugares adecuados.

Partes

1. Confirme que tiene todas las partes enumeradas en el Paso 1 en la página 6.

PASO 6 PREPARAR EL LAVAVAJILLAS

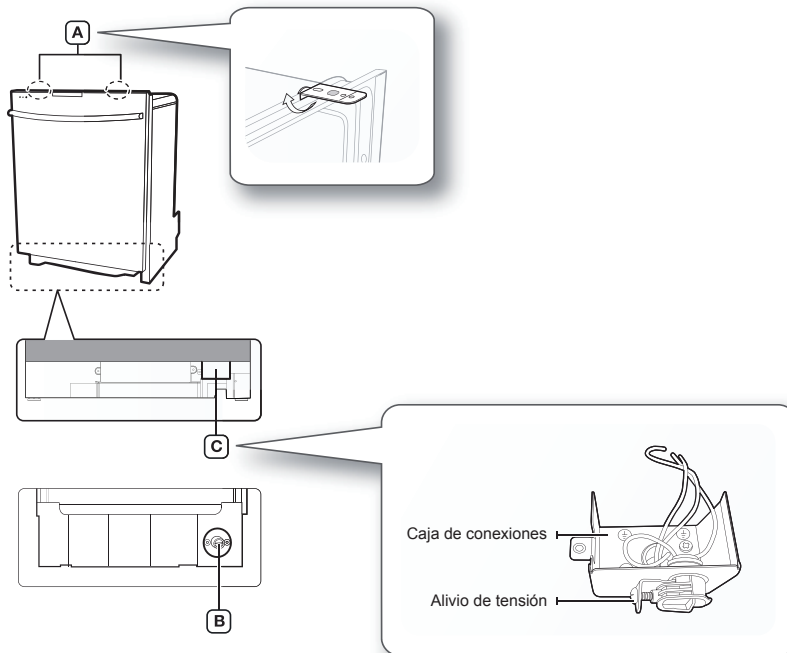
1. Asegúrese de que el disyuntor y la válvula de suministro de agua estén apagados antes de realizar los siguientes pasos.



Antes de mover o colocar el lavavajillas para la instalación, asegúrese de ajustar la altura de las patas para que las patas sean lo más cortas posible. Esto evita que las patas se rompan. Nivele el lavavajillas ajustando la altura de las patas después de tener el lavavajillas en su lugar.

2. Asegúrese de que no haya torceduras y de que la manguera no esté doblada en ángulos extremos que puedan estrechar el flujo de agua.
3. Retire la tapa de la caja de conexiones ubicada en la parte inferior derecha delantera del lavavajillas usando un destornillador y luego Instale el alivio de tensión (Figura 4 - C). Asegúrese de conservar la tapa de la caja de conexiones que ha retirado. Se utiliza en el Paso 11, Conexiones de cableado.
4. Si la encimera está hecha de madera o un material que no está dañado por el taladrado, fije los dos (2) soportes de instalación que fueron suministrados con el lavavajillas usando los tornillos suministrados (Figura 4 - A). Se utilizarán en el paso 9, Asegurar el lavavajillas.

<Figura 4>



PRECAUCIÓN

No apriete demasiado el codo de 90 °.
(Por debajo de 280 lb-pulg (31,6 N·m))
Si lo hace, podría dañar la válvula de entrada
de agua y causar una fuga de agua.

Instalar el lavavajillas

PASO 7 COLOCAR EL LAVAVAJILLAS Y CONECTAR LA LÍNEA DE SUMINISTRO DE AGUA CALIENTE

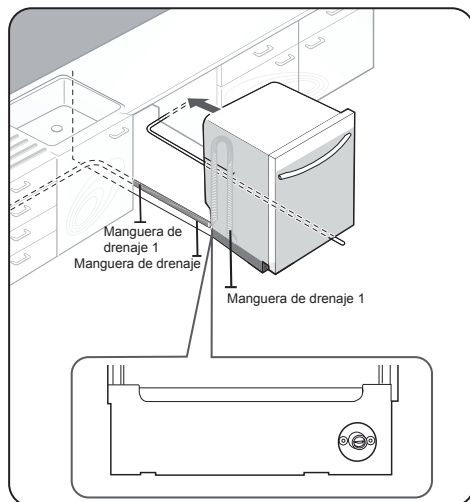
1. Ajuste las tres patas de nivelación en la parte inferior del lavavajillas después de medir la altura de la abertura del armario de debajo de la encimera al piso. (Vea el Paso 8, Nivelar el Lavavajillas.)
2. Localice la línea de suministro de agua caliente y el cable de alimentación.
3. Coloque el lavavajillas de modo que el cable de alimentación esté en el canal derecho de la base del lavavajillas. Utilice cinta adhesiva estándar o abrazaderas para sujetar el cable eléctrico a sus canales adyacentes en la base. Esto puede evitar que el cable eléctrico se exprima al empujar el lavavajillas en su lugar.
4. Tire de la manguera de drenaje a través del agujero en la pared lateral del lavabo. Manténgalo libre de torceduras.
5. Asegúrese de que la línea de suministro de agua caliente no esté torcida y, a continuación, conecte la línea de suministro de agua caliente a la articulación del codo.
6. Deslice el lavavajillas cuidadosamente en el espacio de instalación. Si es posible, tire suavemente de los tramos excesivos de la línea de suministro de agua, la manguera de desagüe o el cable de alimentación mientras mueve el lavavajillas.
Haga que una segunda o tercera persona le ayude a hacer esto si es necesario.



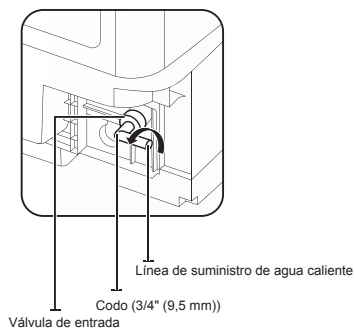
No coloque el lavavajillas en la línea de suministro de agua, la manguera de desagüe o el cable de alimentación.

Además, asegúrese de que no estén dobladas o torcidas.

<Figura 6>



<Figura 7>



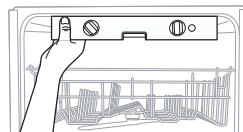
PRECAUCIÓN

No apriete demasiado el codo de 90 °.
(Por debajo de 280 lb-pulg (31.6 N-m))
Si lo hace, podría dañar la válvula de entrada de agua y causar una fuga de agua.

PASO 8 NIVELAR EL LAVAVAJILLAS

1. Abra la puerta y coloque el nivel contra la parte superior del recipiente en el interior y compruebe si el lavavajillas está nivelado. Si no está nivelado, gire las patas de nivelación en la parte inferior delantera del lavavajillas hasta que el lavavajillas esté nivelado.

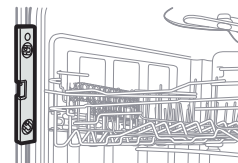
Consulte la primera nota a continuación para obtener instrucciones sobre cómo ajustar la altura de las patas delanteras.



2. Utilice el nivel para comprobar si el lavavajillas está nivelado de adelante hacia atrás, como se muestra en la figura a la derecha.

Si el lavavajillas no está nivelado de adelante hacia atrás, ajuste la altura de las patas trasera hasta que el lavavajillas esté nivelado.

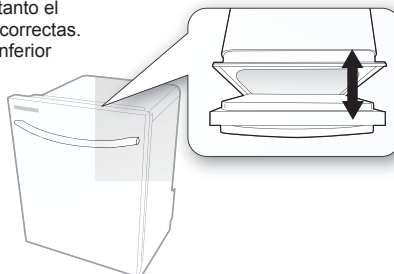
Consulte la segunda nota a continuación para obtener instrucciones sobre cómo ajustar las patas trasera.




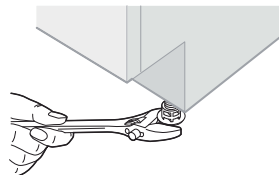
3. Abra la puerta del lavavajillas y compruebe si tanto el recipiente como las holguras de la puerta son correctas.

Si no, gire las patas de nivelación en la parte inferior delantera del lavavajillas.

También puede comprobar esto colocando un nivel contra una superficie vertical delantera interior del recipiente.



-  Si las patas de nivelación giran hacia la derecha (en sentido contrario a las agujas del reloj), se aflojan y la parte delantera del lavavajillas se eleva. Y la altura máxima que se eleva es de unos 38 mm (1,5"). Si se giran hacia la izquierda (en el sentido de las agujas del reloj), se aprietan y la parte frontal del lavavajillas se baja.



PRECAUCIÓN

Para ajustar la altura de una pata trasera, gire el perno hexagonal (en la parte delantera de la base) hacia la izquierda para levantar la parte posterior del lavavajillas utilizando la herramienta adecuada (llave hexagonal o herramienta similar).

Antes de mover el lavavajillas para la instalación, asegúrese de ajustar la altura de las patas para que las patas sean lo más cortas posible. Esto evita que las patas se rompan. Nivele el lavavajillas ajustando la altura de las patas después de tener el lavavajillas en su lugar.



PRECAUCIÓN

El lavavajillas puede tener fugas si está inclinado más de 1 grado.

Instalar el lavavajillas

PASO 9 ASEGURAR EL LAVAVAJILLAS

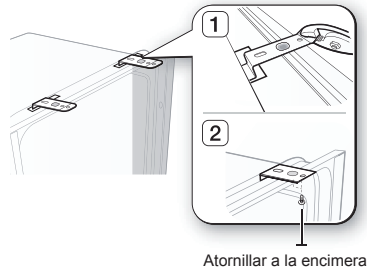
Debe fijar el lavavajillas a la encimera o a las paredes laterales del armario para mayor estabilidad y seguridad.

1. Si la encimera está hecha de madera o el material no será dañado por la perforación, siga las instrucciones en 2-1 abajo.
Si la encimera está hecha de granito, mármol o cualquier otro material que pueda ser dañado por perforación, siga las instrucciones en 2-2 abajo.
- 2-1. Si los soportes de instalación en la parte delantera del lavavajillas se extienden cortarlos con una pinza como se muestra en la Figura 8 en la página siguiente.
Ponga una toalla grande en la parte inferior del lavavajillas para evitar que caigan virutas de madera o un tornillo caído en el lavavajillas.
Taladre cuidadosamente los orificios de los tornillos en el fondo de la encimera haciendo pasar la broca a través de un orificio de tornillo en cada soporte y luego perforando el fondo de la encimera debajo.
Asegúrese de que el orificio que perfora es más pequeño que el diámetro del tornillo.
Inserte los tornillos suministrados en los soportes, y luego apriete para asegurar el lavavajillas a la encimera.
- 2-2. Ponga una toalla grande en la parte inferior del lavavajillas para evitar que caigan virutas de madera o un tornillo caído en el lavavajillas. Quite los tapones espaciadores del recipiente con la punta de un destornillador. Las tapas están justo dentro del recipiente cerca de la parte superior del recipiente en ambos lados (Figura 9 en la página siguiente).
Taladre un orificio en los lados del armario de la cocina en ambos lados, pasando cuidadosamente una broca a través de los agujeros de los tornillos expuestos por la retirada de las tapas separadoras y luego perforando en el lado del armario debajo.
Asegúrese de que el orificio que perfora es más pequeño que el diámetro del tornillo.
También asegúrese de que la broca no golpee los lados de los orificios de la tapa de separación. Inserte los tornillos suministrados en los orificios y luego apriételes para asegurar el lavavajillas al armario.
Asegúrese de que el recipiente no esté distorsionado por la presión de los tornillos.
Si el recipiente está distorsionado, afloje un poco los tornillos.
Vuelva a colocar las tapas espaciadoras del recipiente.

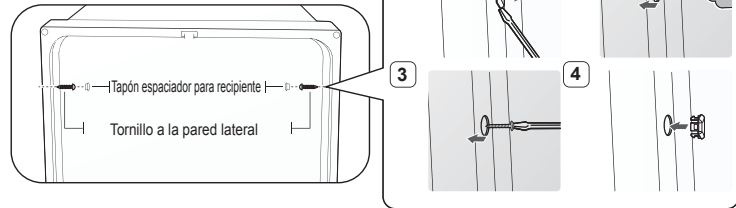


- Los tornillos o la tapa del espaciador de la recipiente pueden caer en el lavavajillas mientras trabaja con la puerta abierta. Cubra el interior del lavavajillas con una toalla para evitar que los tornillos caigan en el lavavajillas. Si algún objeto extraño como un tornillo entra en el lavavajillas, puede causar ruido, funcionamiento anormal, daños o un mal funcionamiento.
- Utilice un destornillador magnético para evitar que los tornillos caigan al lavavajillas.
- Si un objeto extraño como un tornillo entra en el lavavajillas y no puede quitarlo, el lavavajillas debe desmontarse. Póngase en contacto con un técnico de servicio cualificado para ello.

<Figura 8>



<Figura 9>

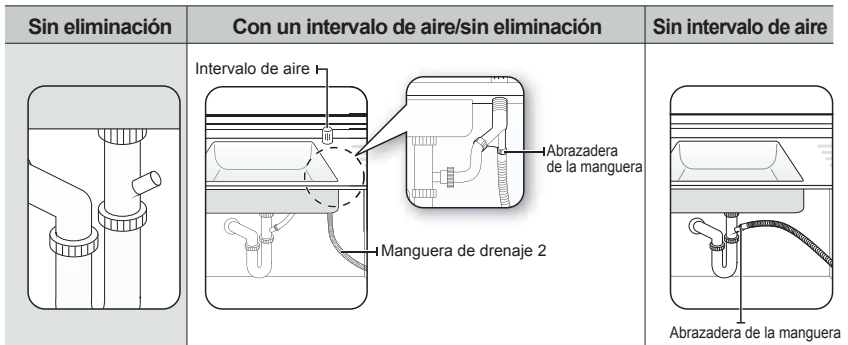


PASO 10 CONECTAR LA MANGUERA DE DRENAJE

1. Compruebe las partes del fregadero a las que se conectará la manguera de desagüe.
2. Hay varias maneras de insertar la manguera de desagüe en el conector de la manguera de desagüe del fregadero, como se muestra en las siguientes figuras. Debe conectar la manguera de desagüe de acuerdo con los reglamentos de instalación de tuberías de agua en su región.

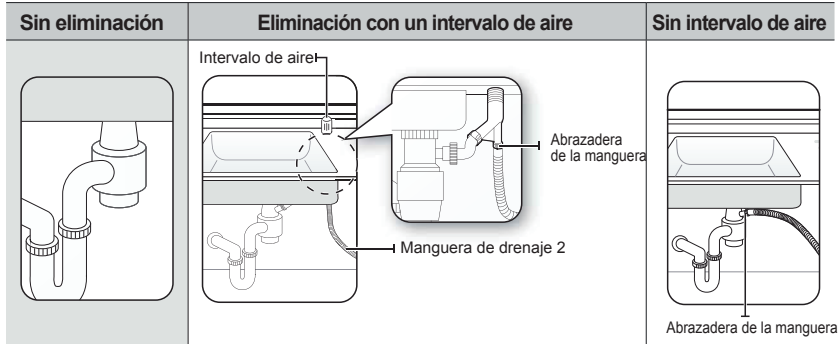
<Figura 10>

Caso 1. Sin eliminación



Instalar el lavavajillas

Caso 2. Con eliminación



3. Compruebe el tamaño del conector de la manguera de desagüe del fregadero. Si es necesario, corte la manguera de drenaje de modo que su extremo encaje en el conector del fregadero (1" or 5/8" - como se muestra en la Figura 11). Si el extremo de la manguera de desagüe no se fija en el conector de la manguera de desagüe del fregadero, utilice un adaptador que pueda adquirirse en una tienda de suministros de plomería/equipo.
4. Deslice una abrazadera de manguera sobre el extremo de la manguera de desagüe. Conecte la manguera de desagüe al conector del fregadero, deslice la abrazadera de la manguera al extremo de la manguera y luego apriete la abrazadera de la manguera.
Nota: Debe utilizar una abrazadera de manguera. Si no lo hace, podría causar fugas de agua.
5. Si no hay espacio de aire, asegúrese de colgar el centro de la manguera de desagüe por encima de la base del armario para evitar el retroceso (vea la Figura 13 en la página siguiente).
6. Al perforar un agujero para la manguera de desagüe en la pared del armario, tenga cuidado de no dañar la manguera de drenaje por los bordes afilados del agujero. En las paredes de madera, utilice papel de lija para suavizar los bordes.
En paredes metálicas, use cinta aislante para cubrir los bordes afilados alrededor del agujero.
7. Tenga cuidado de no dañar la manguera de desagüe al instalar el lavavajillas en el piso, la pared o el armario.



Para evitar fugas o problemas de drenaje, asegúrese de que la manguera de desagüe no esté dañada, doblada o torcida.

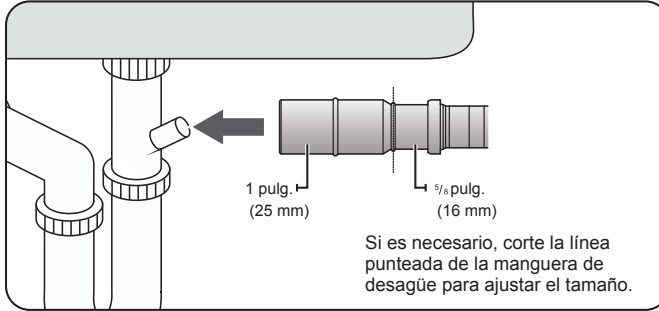
8. No corte el área arrugada de la manguera de desagüe para ajustarla al tamaño. Al disponer la manguera de desagüe, tenga cuidado de no entrar en contacto con los bordes afilados del armario o debajo del fregadero.



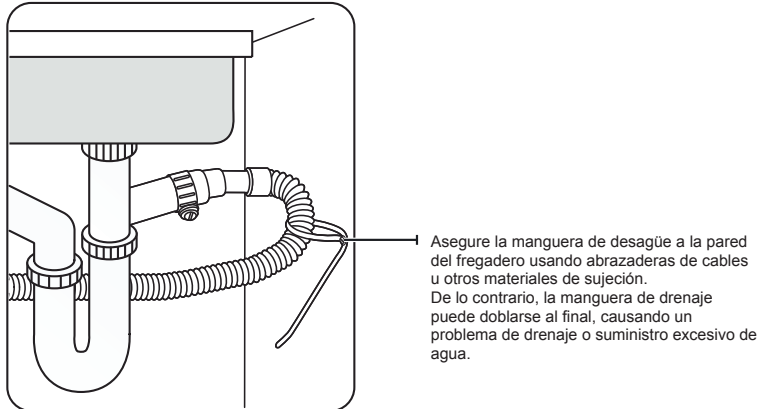
PRECAUCIÓN

- Tenga cuidado al cortar el extremo de la manguera de desagüe ya que existe riesgo de lesiones. Limpie alrededor de la conexión de drenaje del fregadero para que no dañe la manguera. Compruebe si hay elementos extraños en la manguera de desagüe y retírelos.
- Cuando se disponga la manguera de desagüe, asegúrese de que la manguera de desagüe no esté cortada, desgarrada o rota por los bordes afilados del piso, el producto mismo o el armario. Una manguera de desagüe dañada causa una fuga.

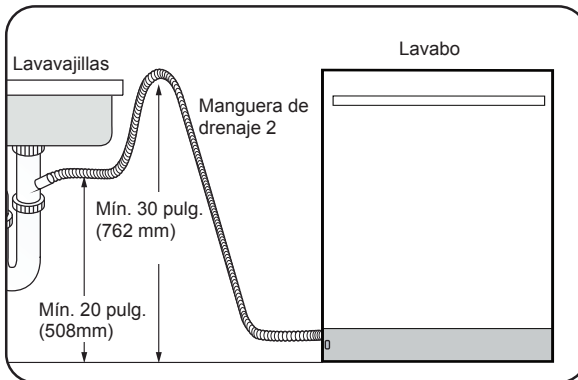
<Figura 11>



<Figura 12>



<Figura 13>

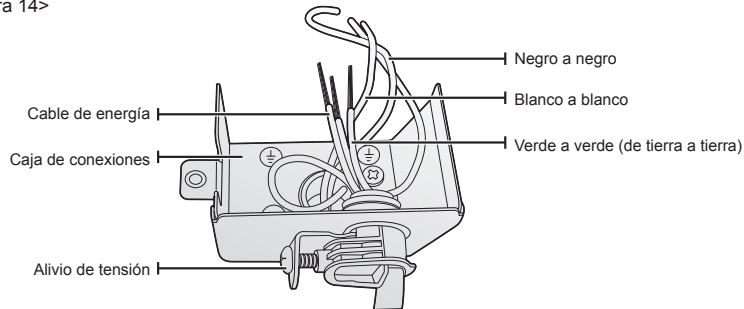


Instalar el lavavajillas

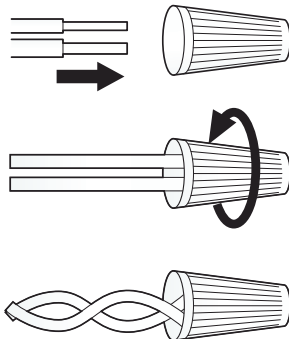
PASO 11 CONEXIONES DE CABLEADO

1. Antes de conectar el cable de alimentación al lavavajillas, asegúrese de que el interruptor esté apagado.
2. En la caja de conexiones situada en la parte inferior derecha del lavavajillas, encuentre los tres cables de conexión del lavavajillas incluyendo la línea de puesta a tierra.
3. Pase el cable de alimentación por el alivio de tensión y, a continuación, por la caja de conexiones (Figura 14).
4. Conecte el cable negro del lavavajillas al cable negro del cable de alimentación insertando ambos en una tuerca de cable, y luego girando el conector del cable como se muestra en la Figura 15. Conecte el cable blanco al cable blanco y el verde al verde de la misma manera.
5. Vuelva a comprobar cada cable para asegurarse de que está conectado correctamente y con seguridad.
Cada hilo coloreado debe ser conectado al cable correspondiente del mismo color.
El blanco debe estar conectado al blanco, el negro al negro y el verde al verde.
6. Vuelva a colocar la tapa de la caja de conexiones en el lavavajillas.

<Figura 14>



<Figura 15>



PRECAUCIÓN


Peligro de choque eléctrico

Para evitar descargas eléctricas, no trabaje en un circuito energizado. Hacerlo podría causar lesiones graves o la muerte. Sólo los electricistas cualificados deben realizar trabajos eléctricos. No intente realizar ningún trabajo en el circuito de suministro eléctrico del lavavajillas hasta que esté seguro de que el circuito está desenergizado.

PRECAUCIÓN

Peligro de incendio

Para evitar un peligro de incendio, asegúrese de que el trabajo eléctrico esté instalado correctamente. Sólo los electricistas cualificados deben realizar trabajos eléctricos.

-  Vuelva a comprobar cada cable para asegurarse de que está conectado correctamente y con seguridad.
Cada hilo coloreado debe ser conectado al cable correspondiente del mismo color.

PASO 12 COMPLETAR LA INSTALACIÓN

1. Abra la puerta y retire toda la espuma, el embalaje de papel y las piezas innecesarias.
2. Encienda el disyuntor que apagó antes de comenzar la instalación.
3. Abra la válvula de suministro de agua para suministrar agua al lavavajillas.
4. Encienda el lavavajillas y luego seleccione y ejecute un ciclo.



Compruebe si la alimentación se enciende correctamente y si hay alguna fuga de agua mientras el lavavajillas está funcionando. Si no se producen errores durante el funcionamiento, apague el lavavajillas y luego vaya al

Paso 5 a continuación.

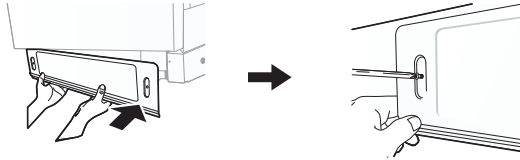
Si se ha producido un error, apague el lavavajillas, cierre la válvula de suministro de agua y, a continuación, consulte el manual del usuario o póngase en contacto con un centro de servicio 1-800-SAM-SUNG (726-7864).



PRECAUCIÓN

Asegúrese de verificar si hay fugas de agua en ambos extremos de la línea de suministro de agua y del conector de la manguera de desagüe.

5. Confirme que la junta de la placa de apoyo esté en la parte inferior de la placa de apoyo. Para instalar la placa de apoyo, consulte la siguiente figura.



Instalar el lavavajillas

Fuente de alimentación	120 V, 60 Hz AC solamente
Presión del agua	20 ~ 120 psi (140 ~ 830 kPa)
Dimensiones (anchura × profundidad × altura)	23 ³ / ₄ x 24 ⁵ / ₈ (excluyendo el mango) x 33 ³ / ₄ pulg. [604 x 625 (excluyendo el mango) x 858mm] (Serie DW80N3030)
Temperatura nominal del agua de entrada	120 °F (49 °C)



Las especificaciones están sujetas a cambios sin previo aviso para fines de mejora de la calidad. El aspecto real del lavavajillas puede diferir de las ilustraciones de este manual.

Notas

SAMSUNG