

Dishwasher

Installation manual

DW80R9950* Series



SAMSUNG

Contents

Safety instructions	3
Important safety instructions	3
Before using your dishwasher	5
Installation	6
Product dimensions	11
Cabinet dimensions	12
Specifications	34



Scan this with your smartphone

Scan the QR code* to view our helpful installation videos.

* Requires reader to be installed on your smartphone.

Safety instructions

Throughout this manual, you will see Warning and Caution notes. The warnings, cautions, and the important safety instructions that follow do not cover all possible conditions and situations that may occur. It is your responsibility to use common sense, caution, and care when installing, maintaining, and operating the dishwasher. Samsung is not liable for damages resulting from improper use.

Important safety instructions

What the icons and signs in this installation guide mean:

 **WARNING**

Hazards or unsafe practices that may result in **severe personal injury or death**.

 **CAUTION**

Hazards or unsafe practices that may result in **personal injury or property damage**.

 **CAUTION**

To reduce the risk of fire, explosion, electric shock, or personal injury when using the dishwasher, follow these basic safety precautions:

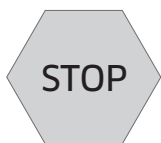
 **NOTE**

Indicates that a risk of personal injury or material damage exists.

These warning signs are here to prevent injury to you and others.

Please follow them explicitly.

After reading this section, keep it in a safe place for future reference.



These installation instructions are intended for use by qualified installers.

If you are having problems installing this dishwasher
U.S.A

Please call: 1-800-SAMSUNG (726-7864)
1-844-SAM-PAYS (726-7297)

for assistance: www.samsung.com/us/support

CANADA

Please call: 1-800-SAMSUNG (726-7864)

for assistance: www.samsung.com/ca/support (English)
www.samsung.com/ca_fr/support (French)

SAVE THESE INSTRUCTIONS



Safety instructions

California Proposition 65 Warning

 **WARNING:** Cancer and Reproductive Harm - www.P65Warnings.ca.gov

Read all instructions before using the appliance.

Install and store the dishwasher inside, away from exposure to weather.

CAUTION

- Do not install the dishwasher near electrical components. Keep the dishwasher away from open flames.
- Do not install the dishwasher on a carpet as this is a fire hazard.
- Do not install the dishwasher in a location where the water may freeze (where the temperature falls below 32 °F (0 °C)). Frozen water in the hoses or pipes may damage the dishwasher.
- As with all equipment using electricity, water, and moving parts, potential hazards exist. To safely operate this appliance, become familiar with its operation and exercise care when using it.

The dishwasher must be properly grounded. Never connect it to an ungrounded outlet.

Prior to removal of original dishwasher and the installation of your new unit, make sure to switch off your circuit breaker. Do not connect the dishwasher until you have completed the installation. Connecting the power cable is the last step when installing the dishwasher.

All wiring and grounding must be done in accordance with the electrical code applicable to the region.

GROUNDING INSTRUCTIONS

For a permanently connected appliance:

This appliance must be connected to grounded metal, a permanent wiring system, or an equipment-grounding conductor must be run with the circuit conductors and connected to the equipment-grounding terminal or lead on the appliance.

The dishwasher is very heavy. Do not attempt to move or carry a dishwasher alone. Two or more people are needed to move a dishwasher and avoid potential injuries.

CAUTION

- If the power cable is damaged, it must be replaced by the manufacturer, a service agent or similarly qualified person in order to avoid a hazard.
- Do not touch the power cable with wet hands.
- Do not connect another appliance to the same power outlet as the dishwasher.

SAVE THESE INSTRUCTIONS



Make sure to use a new water supply line. Old lines are susceptible to breakage because they become hardened and may cause property damage due to a water leakage. The dishwasher must be connected to a hot water supply with a temperature between 120 °F (49 °C)~149 °F (65 °C). This temperature range provides the best washing result and shortest cycle time. Temperature should not exceed 149 °F (65 °C) to prevent damage to dishes.

Ensure that the water supplied to the dishwasher does not freeze. Frozen water can damage the hoses, valves, pump, or other components.

Certified residential dishwashers are not intended for licensed food establishments. (NSF/ANSI Standard 184 for Residential Dishwashers)

For a full list of safety information, please refer to the User Manual.

Before using your dishwasher

WARNING



Tip-Over Hazard

- Do not use the dishwasher until it is correctly installed.
- Do not push down on the dishwasher door when it is open.
- Do not place excessive weight on the dishwasher door when it is open.



Electric Shock Hazard

Failure to follow these instructions can result in death, fire, or electric shock:

- Electrically ground the dishwasher
- Connect the ground wire to the green ground connector in the junction box.
- Do not use an extension cord.

To reduce the risk of electric shock, fire, or injury to persons, the installer must ensure that the dishwasher is completely enclosed at the time of installation.

SAVE THESE INSTRUCTIONS

Installation

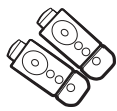
Be sure that you or your installer follow these instructions closely so that the new dishwasher works properly and that you are not at risk of injury when washing dishes.

STEP 1 Check the parts and tools

Before starting on the installation, prepare all the necessary tools and parts required to install the dishwasher. This will save installation time and simplify the installation process.

Parts required

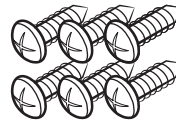
Provided with the dishwasher. Check when you unbox the dishwasher in **STEP 5**.



2 Installation brackets



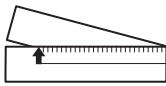
Kick Plate



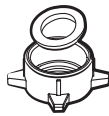
6 screws
(for the Kick plate &
Bracket Installation)



Protective sticker



Paper ruler

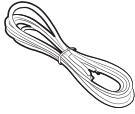


Nut connector &
seal (for $\frac{3}{4}$ " 90°
fitting)

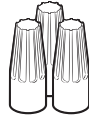


6 Plastic caps

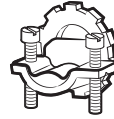
Not provided



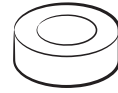
Power cable



Twist on wire connector



Strain relief



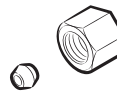
Electrical tape &
Standard duct tape



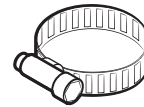
Hot water supply
line



90° Fitting (3/4")



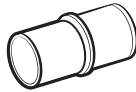
Tube fittings



Hose clamp



Air gap



Rubber connector

NOTE

For the hot water supply line - We strongly recommend using $\frac{3}{8}$ " minimum O.D. copper tubing with a compression fitting or a flexible stainless steel braided hot water supply line.

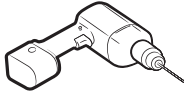
[Warning: Do not use plastic tubing. Plastic tubing can deteriorate over time and cause a leak inside the tube fitting.]

You also need a 90° Fitting with $\frac{3}{4}$ " N.P.T. external pipe threads on one end and a fitting sized to fit your hot water supply line (copper tubing/compression fitting or braided hose) on the other.

For the power cable, we recommend a jacketed 12-2 cable with ground. Note that some local codes may require the cable to have a BX style metal jacket.

Installation

Tools required



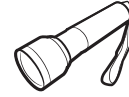
Electric drill



Safety glasses



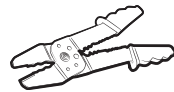
Gloves



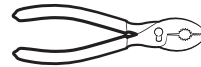
Flashlight



Adjustable wrench



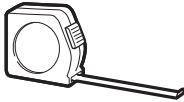
Wire stripper



Pliers



Nipper



Tape measure



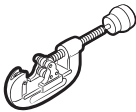
Pencil



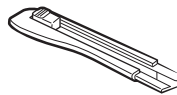
Phillips screwdriver



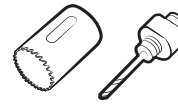
Flat screwdriver



Tubing cutter



Cutting knife



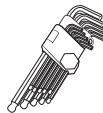
Hole saw



Level



Torx t20



Hex L-wrench

NOTE

New installation

If the dishwasher is a new installation, most of the installation work must be done before the dishwasher is moved into place.

Replacement

If the dishwasher is replacing an old dishwasher, you must check the existing dishwasher connections for compatibility with the new dishwasher. Replace the existing connections as necessary.

STEP 2 Select the best location for the dishwasher

The following criteria are important to ensure the best location for the dishwasher:

- The location must have a solid floor that is able to support the weight of the dishwasher.
- The location must be near a sink with easy access to the water supply, drain, and electrical outlet.

NOTE

For the drain to operate properly, the dishwasher should be installed within 9.8 ft (3 m) of the sink.

- The location must let you load your dishes into the dishwasher easily.
- The location must have sufficient space for the dishwasher door to open easily and provide enough space between the dishwasher and the cabinet sides (at least 0.1 in (2 mm)).

NOTE

If the dishwasher is installed in a corner, ensure that the side of the dishwasher is more than 2 in. (50 mm) from the wall or cabinet to its right or left.

- The wall at the back must be free of obstructions.
- Make sure the cabinet for the dishwasher is secured to the floor. If the cabinet is not secured, it may increase noise when the dishwasher is operating.

Installation

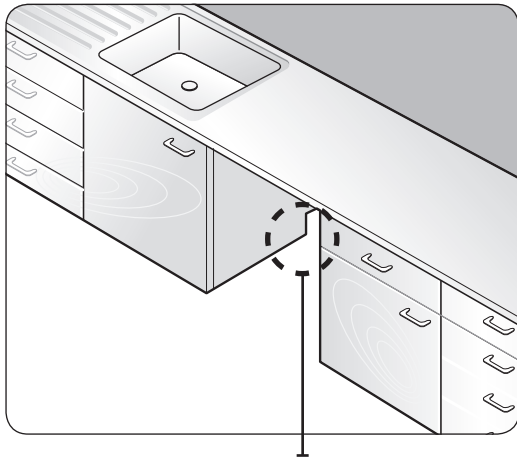
If this is a new installation, follow these steps:

1. Using a 2½ inch hole saw, cut a hole into the side of the cabinet that holds the sink as shown in **Figure 1-1** below.
2. If the base inside the sink cabinet is raised above the kitchen floor and is higher than the connections on the dishwasher, make a hole in the base inside the cabinet and in the cabinet side as shown in **Figure 1-2**.

NOTE

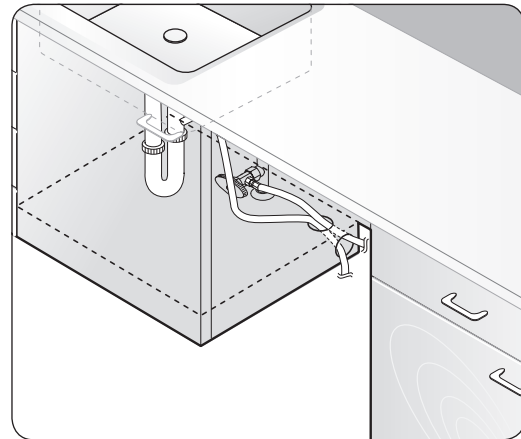
Depending on where your electrical outlet is, you may need to cut a hole in the opposite cabinet side.

Figure 1-1



The hole for the water supply line, drain hose and power cables.

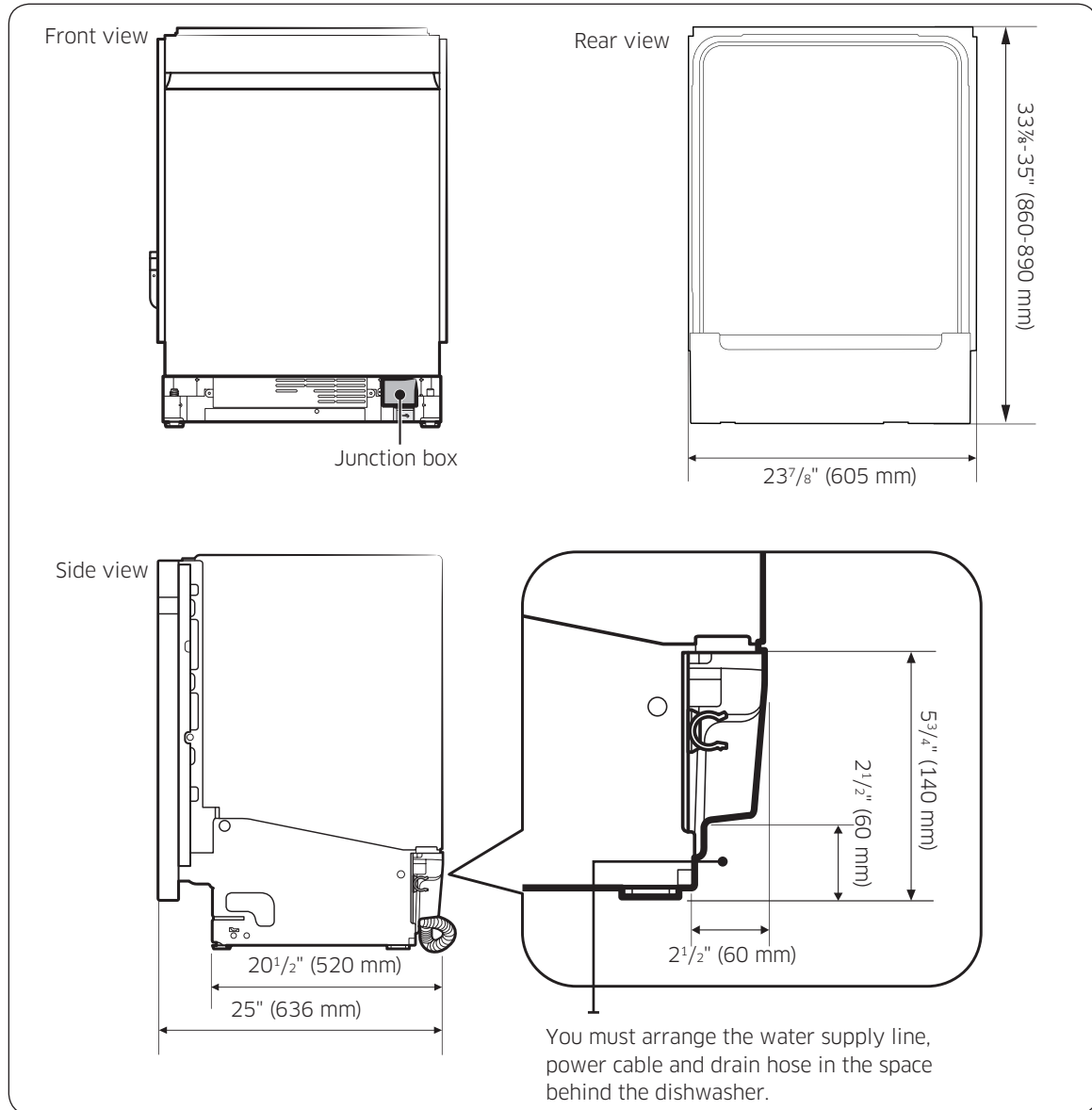
Figure 1-2



CAUTION

Make sure the cabinet hole is smoothed before you insert the drain hose through the hole. A sharp edge of the cabinet hole may cause damage to the drain hose, resulting in a leak of the hose.

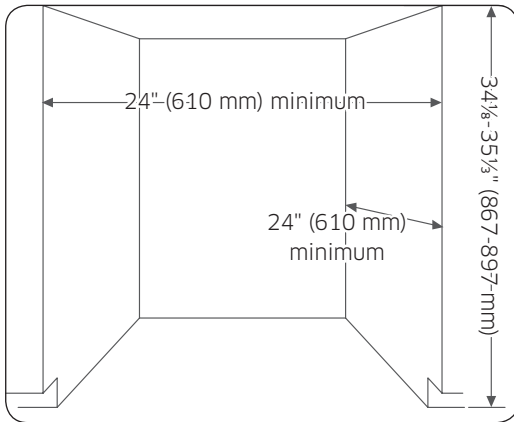
Product dimensions



Installation

Installation

Cabinet dimensions



NOTE

This dishwasher is designed to be enclosed on the top and on both sides by a standard residential kitchen cabinet unit.

The installation cabinet must be clean and free of any obstructions.

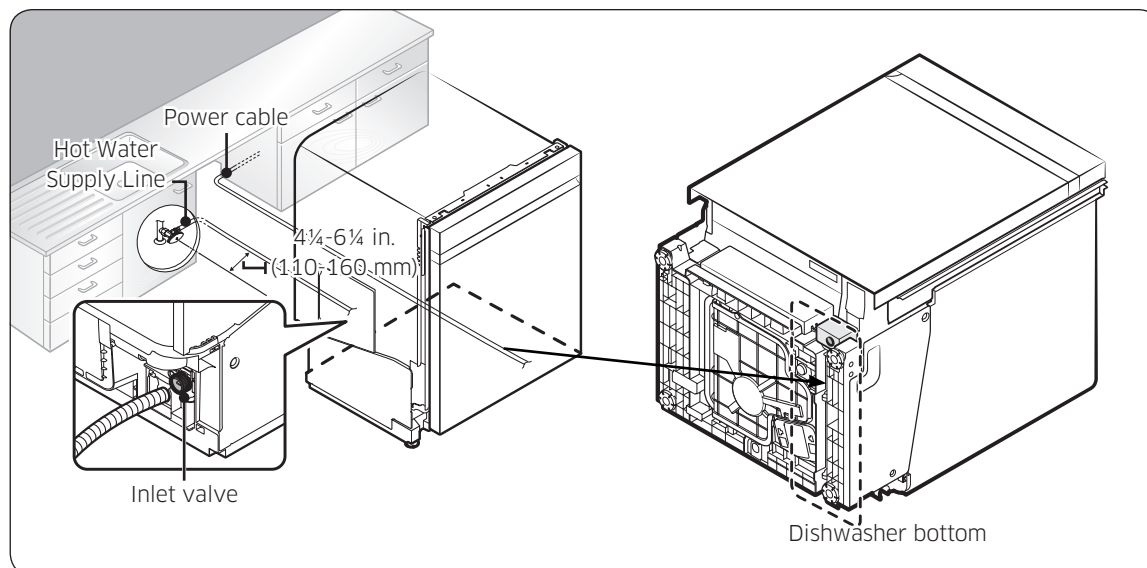
The cabinet must be at least 24 inches wide, 24 inches deep, and 34¹/₈ inches high.

For the front door of the dishwasher to be flush with the leading edge of the counter top, the counter top must be at least 25 inches deep.

STEP 3 Check water supply requirements and cautions

- The hot water supply line pressure must be between 20~120 psi (140~830 kPa).
- Adjust the water heater to deliver water between 120 °F (49 °C)~149 °F (65 °C).
 - The dishwasher must be connected to a hot water supply between 120 °F (49 °C)~149 °F (65 °C). This temperature range provides the best washing result and shortest cycle time. Temperature should not exceed 149 °F (65 °C) to prevent damage to dishes.
 - Ensure that the water supply valve is turned off before connecting the hot water supply line to the dishwasher.
 - Seal the hot water supply line connections using teflon tape or sealing compound to stop any water leakage.
 - The drain hose connected to the dishwasher must be run through the hole in the side wall so it can be connected to the drain outlet of the sink. When you install the dishwasher, ensure there is nothing on the drain hose and be careful not to damage it during the installation process.

Figure 2



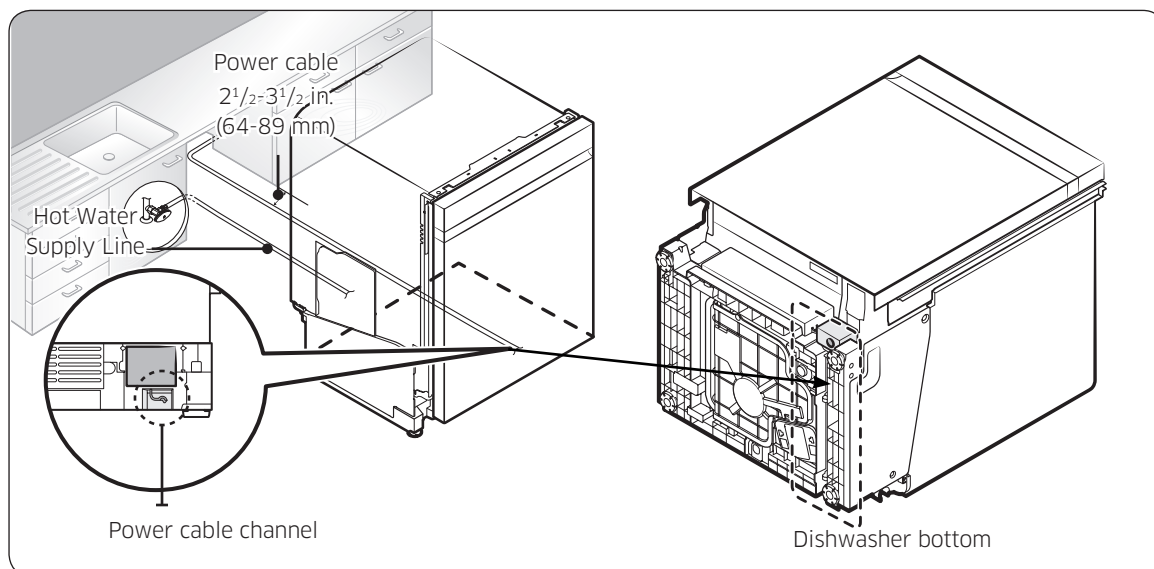
Installation

STEP 4 Check the electrical requirements and cautions

The electrical requirements for the dishwasher are as follows:

- In the United States, install in accordance with the National Electric Code/State and Municipal codes and/or local codes.
- In Canada, install in accordance with the Canadian Electric Code C22.1-latest edition/ Provincial and Municipal codes and/or local codes.
- For cable direct connections.
 - Use flexible, armored or non-metallic sheathed, copper wire with a grounding wire that meets the wiring requirements for your local codes and ordinances.
 - Use the strain relief method provided with the wiring junction box or install a U.L.-listed/CSA-certified clamp connector to the wiring junction box. If using conduit, use a U.L.-listed/CSA-certified conduit connector.

Figure 3

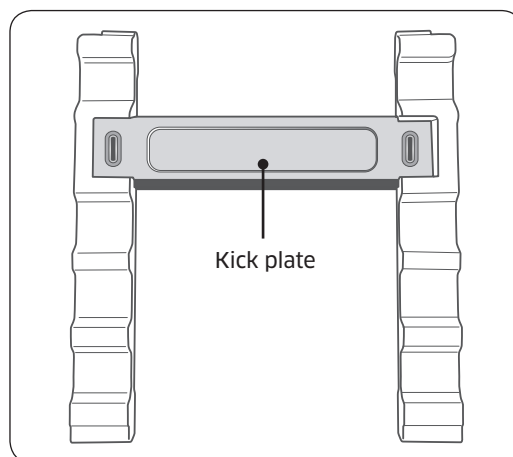


STEP 5 Unpacking and inspecting the dishwasher

Unpack the dishwasher in an open area free of obstruction both around the packaging and overhead. We recommend that you retain all of the packing materials until the dishwasher is fully installed and operational to ensure you have removed all the product's components from the packing materials prior to disposal.

Unpacking

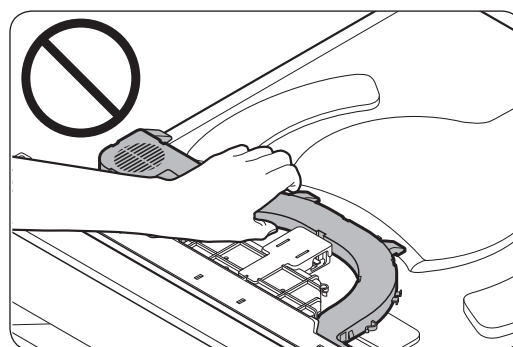
1. Position the carton right-side-up with top arrows pointing upwards.
2. Unbuckle or cut the straps securing the packaging.
3. Unpack the product packaging with care.
4. Put the straps and all of the packing materials from around the dishwasher inspecting them for any signs of damage.
5. Locate and set aside the dishwasher's kick plate. The Kick plate is attached to packing material of the dishwasher.



6. Lift the dishwasher from the packing tray, and then place it on the floor.

⚠ CAUTION

- ALWAYS LIFT THE DISHWASHER TO MOVE IT. Sliding it over rough surfaces can damage the dishwasher's feet and sliding the feet over finished surfaces can, in some cases, damage that finish or the underlying surface.
- Use caution, and do not grab the upper air duct when moving the dishwasher.



7. There is also packing inside the dishwasher that you may want to leave in place until the dishwasher is installed.
8. DO NOT, under any circumstances, remove the sound-absorbent padding that surrounds the exterior of the tub of the dishwasher.

Installation

Inspecting

Mechanical

1. Check the plastic base assembly to ensure that it is intact
2. Check the dishwasher's feet to ensure they are in place and can be adjusted so you can level and secure the dishwasher.
3. Check all the visible components on the bottom of the dishwasher to ensure they are intact and secure.
4. Check the door latch, the operation of the hinges, and confirm the door is properly secured to the dishwasher.

Plumbing

1. Check the hot water connection on the back left-side of the base of the dishwasher. The mounting plate should be secured to the back of the base, the threads inside the connection should be smooth and shiny, and the area should be clean and free of any debris.
2. Make sure the dishwasher and the accessories are all included in the package to ensure these assemblies are not cracked and that all connections are secure.
3. Check the drain hose for any holes or deformities that could allow a water leak during draining.

Electrical

1. Confirm the junction box cover is secured to the junction box on the front right-side of the base of the dishwasher.
2. Confirm the electrical box was not damaged during shipping and that it is secured to the base of the dishwasher.

Appearance

1. Confirm there are no dents or scratches on the front of the dishwasher.
2. Check the edges of the doors for any roughness or cracking.
3. Check the control panel to ensure it is clear and unscratched, and that all the control markers are in their proper places.

Parts

Confirm you have all the parts listed in **STEP 1** on **page 6**.

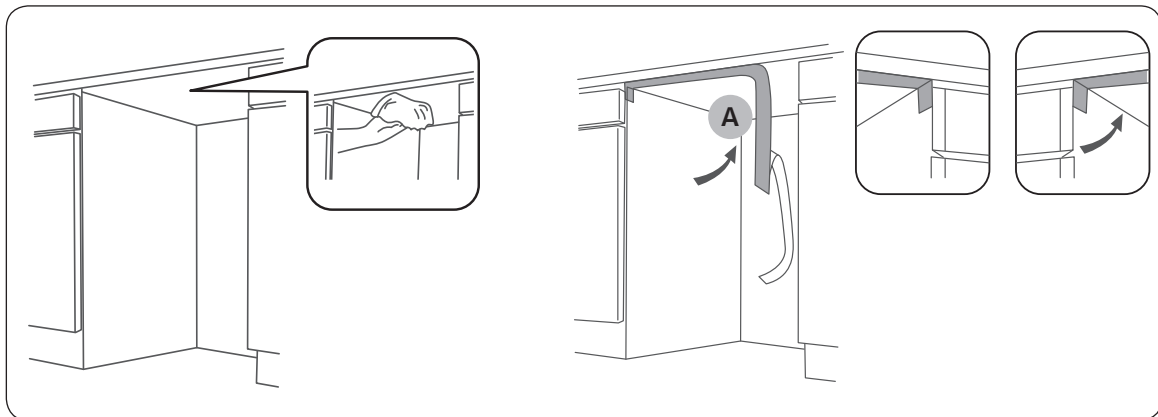
STEP 6 Preparing the dishwasher

1. Attach the protective sticker (A).

- To prevent damage, put the protective sticker on the bottom of the counter top as shown in the picture.

NOTE

- Before putting the protective sticker, clean the counter top as shown in the picture.
- For information, the length of the protective sticker is 26 inches (660 mm).



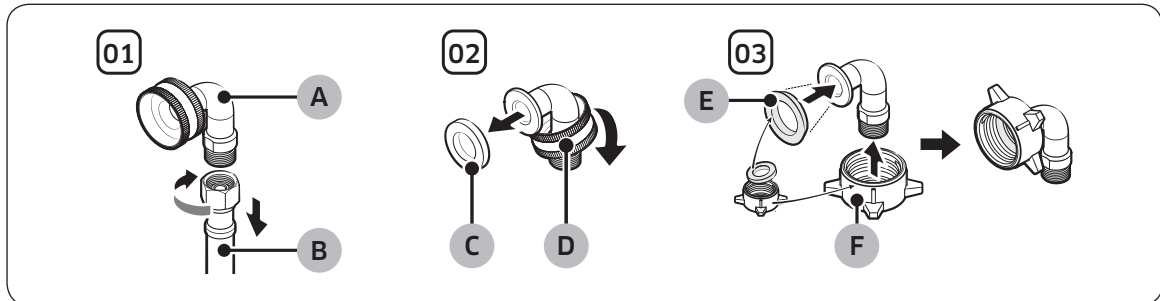
2. Ensure that the circuit breaker and water supply valve are turned off before proceeding with the following steps.

CAUTION

Before you move or lay down the dishwasher for installation, make sure to adjust the height of the legs so the legs are as short as possible. This prevents the legs from breaking. Level the dishwasher by adjusting the height of the legs after you have the dishwasher in place.

Installation

- Use the provided nut connector to connect the water hose to the dishwasher.
Follow these steps:



- Disconnect the 90° fitting (A) from the hose (B).
- Remove the seal (C) and the nut (D) from the 90° fitting.
- From the provided nut connector, separate the seal (E) and the nut (F), and then assemble them to the 90° fitting as shown in the figure. You must insert the smaller side of the seal.

- Then, insert the $\frac{3}{4}$ " 90 degree fitting into the inlet valve (See Figure 4-B). Tighten until the $\frac{3}{4}$ " fitting is tight. Do not over tighten.
- Detach the Velcro strips that secure the drain hose to the back of the dishwasher. Roll-out the hose. Make sure there are no kinks and that the hose is not bent at any extreme angles that could constrict the flow of water.
- Remove the junction box cover located at the bottom front right of the dishwasher using a screwdriver, and then Install the strain relief (Figure 4-C). Make sure to keep the junction box cover you removed. It is used in STEP 11, Wiring Connections.
- If the countertop is made of wood or a material that is not damaged by drilling, attach the two (2) Installation brackets that were supplied with the dishwasher using the supplied screws (Figure 4-A). They will be used in STEP 9, Securing the Dishwasher.

If the drain hose needs to go to the right of the dishwasher, secure the hose in the hose fixer mounted on the base. There are three positions the hose fixer can be installed at. To move the hose fixer, gently squeeze the fixer, then turn to the left.

Make sure to secure on the arrow-marked area.

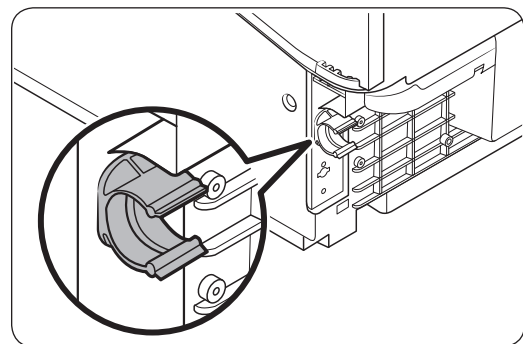
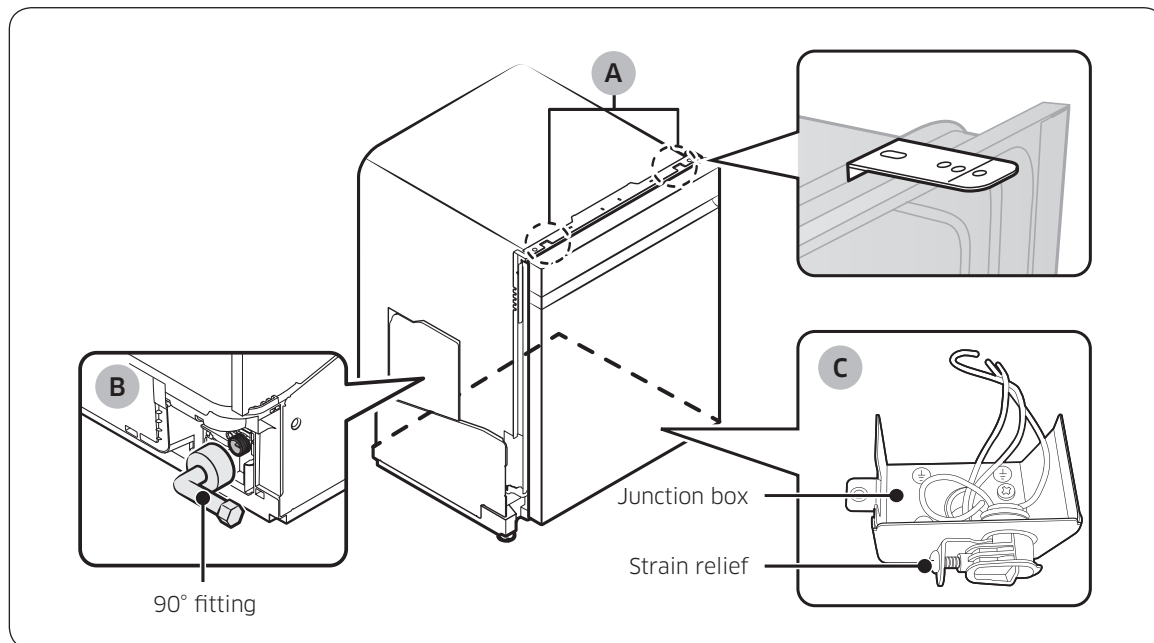


Figure 4



⚠ CAUTION

Do not overtighten the 90° Fitting. (Below 280 lb-in (31.6 N·m))
Doing so may damage the water inlet valve and cause a water leak.

Installation

STEP 7 Placing the dishwasher and connecting the hot water supply line

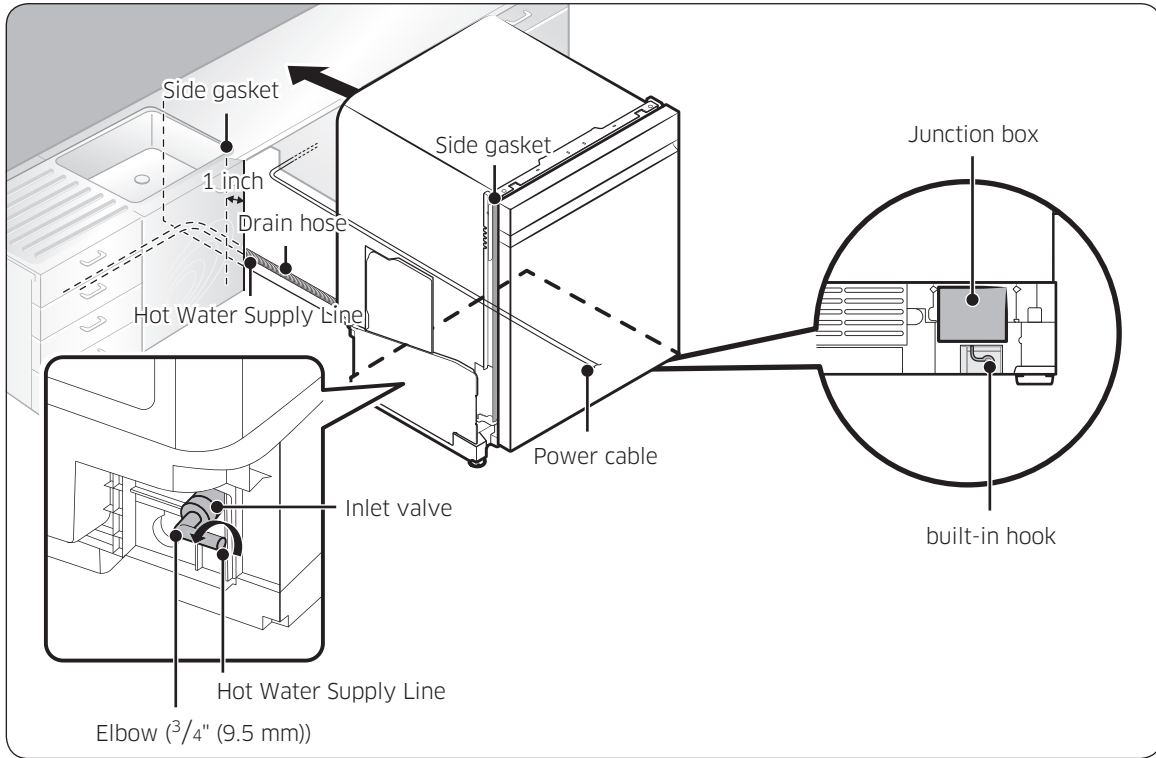
1. Adjust the three leveling legs at the bottom of the dishwasher after measuring the height of the cabinet opening from under the countertop to the floor. (See **STEP 8**, Leveling the Dishwasher.)
2. Locate the hot water supply line and the power cable.
3. Place the dishwasher so that the hot water supply line is in the left side and the power cable is in the right channel of the base of the dishwasher. The right-side channel for the power cable has a built-in hook on the base so that you secure the power cable.
4. Pull the drain hose through the hole in the sink cabinet side wall. Keep it free of kinks.
5. Make sure the hot water supply line is not twisted, and then connect the hot water supply line to the fitting joint.
6. Slide the dishwasher carefully into the installation space. If possible, gently pull any excess lengths of water supply line, drain hose, or power cable back as you move the dishwasher. Get a second or third person to help you do this if necessary.

CAUTION

Do not place the dishwasher on the water supply line, drain hose, or power cable. Also, make sure they are not folded or twisted.

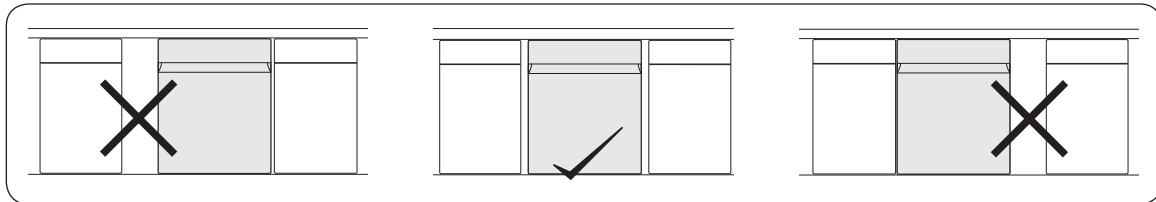
- Make sure the supply line is properly connected.
Wrap Teflon tape around every connection to prevent water leaks.
Make sure the side gaskets are inserted seamlessly. Otherwise, it may increase noise when the dishwasher is operating.
- Make sure both side gaskets are $13/16$ " to 1" (20-25 mm) backward from the front end of the kitchen cabinet. Less distance may increase noise when the dishwasher is operating.

Figure 5



⚠ CAUTION

Do not overtighten the 90° Fitting. (Below 280 lb-in (31.6 N·m))
Doing so may damage the water inlet valve and cause a water leak.

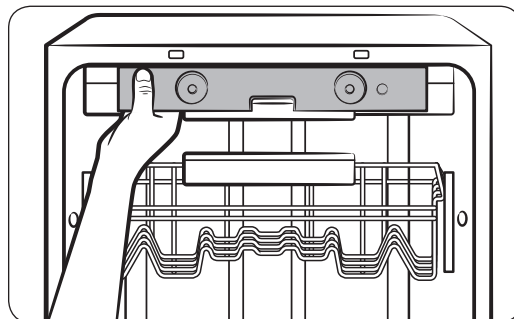


Make sure the dishwasher is positioned to the center.

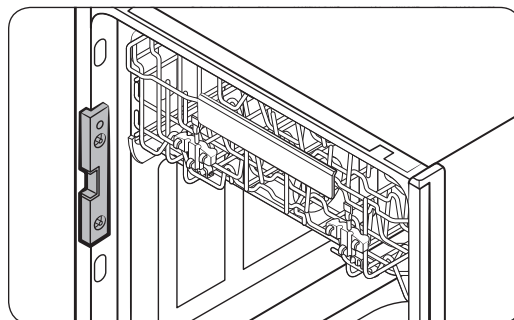
Installation

STEP 8 Leveling the dishwasher

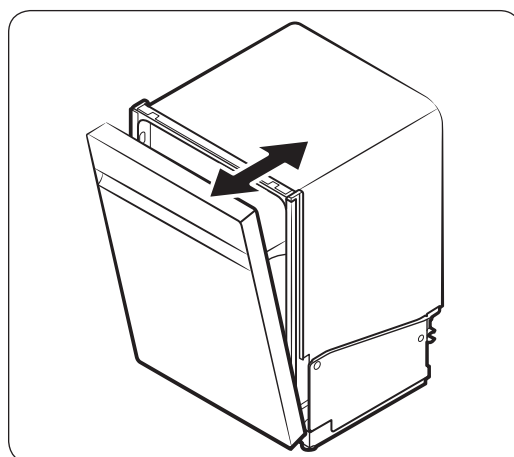
1. Open the door and place the level against the top of the tub on the inside and check if the the dishwasher is level. If it is not level, rotate the leveling legs at the bottom front of the dishwasher until the dishwasher is level. See the first note below for instructions on adusting the height of the front legs.



2. Use the level to check if the dishwasher is level front to back, as shown in the figure to the right. If the dishwasher is not level front to back, adjust the height of the rear leg until the dishwasher is level. See the second note below for instructions on adusting the the rear leg.

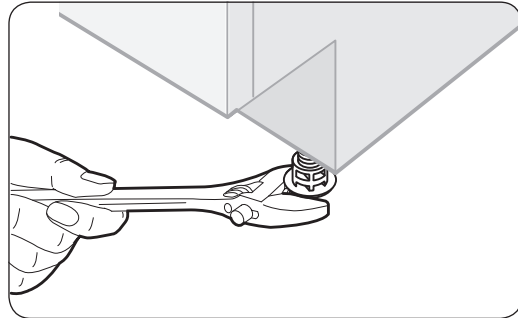


3. Open the door of the dishwasher and check if both the tub and door clearances are correct. If not, rotate the leveling legs on the bottom front of the dishwasher. You can aslo check this by placing a level against an inside front vertical surface of the tub.



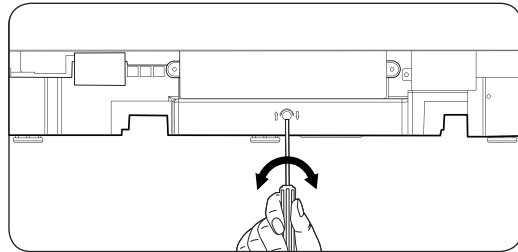
NOTE

- If the leveling legs are rotated to the left (clockwise), they are loosened and the front of the dishwasher is raised. If they are rotated to the right (counter clockwise), they are tightened and the front of the dishwasher is lowered.
- You can adjust the leveling legs by a max of $\frac{16}{32}$ " However, leveling up to the max height is not recommended.



NOTE

To adjust the height of a rear leg, turn the T210 Torx (at the front of the base) to the left to raise the back of the dishwasher using the proper tool (T20 Torx).



CAUTION

- Before you move the dishwasher for installation, make sure to adjust the height of the legs so the legs are as short as possible. This prevents the legs from breaking. Level the dishwasher by adjusting the height of the legs after you have the dishwasher in place.
- If the product is installed unlevelled or with the leg missing, the door may not close completely, causing a leak of steam or water.
- When adjusting the height of the dishwasher, make sure the top gasket is inserted seamlessly underneath the top of the kitchen cabinet. Otherwise, it may increase noise when the dishwasher is operating.

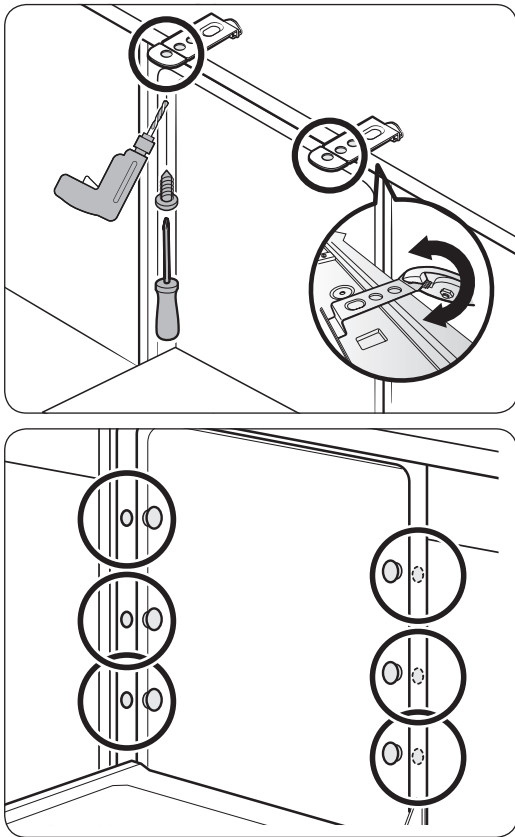
Installation

STEP 9 Securing the dishwasher

You must fix the dishwasher to the countertop or cabinet side walls for additional stability and safety.

To the countertop

If the countertop is made of wood or the material will not be damaged by drilling, follow this.



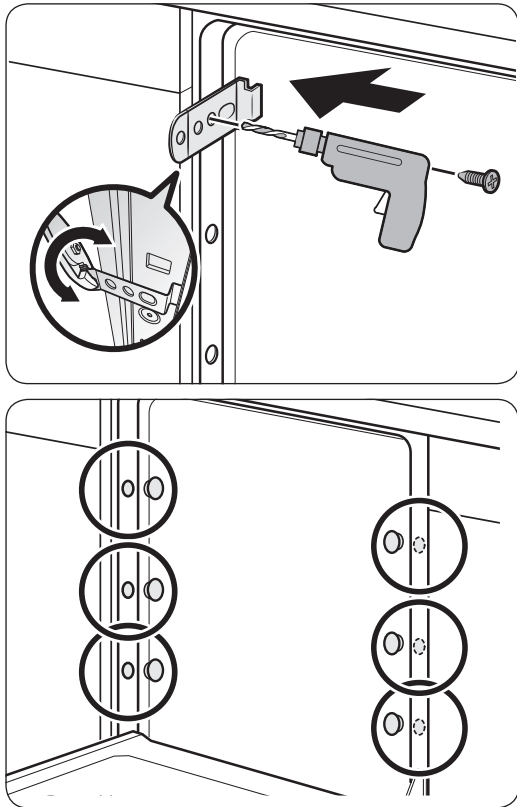
1. Put a large towel into the bottom of the dishwasher (covering the filter) to prevent wood shavings or a dropped screw from falling into the sump.
2. Insert the provided brackets into the top front holes of the dishwasher as shown.
If the brackets are too long, cut them down using pliers.
3. Pre-drill the overlapping holes of the brackets.
Make sure the hole is smaller than the diameter of the screw.
4. Tighten the provided screws.
5. Assemble the provided plastic caps as shown.

⚠ CAUTION

- After installing the dishwasher inside the cabinet, check if the door opens and closes freely with no interruption with the cabinet.
- If the plastic caps are not assembled, water may leak and cause a fire or electric shock.

To the sides

If the countertop is made of granite, marble, or any other material that can be damaged by drilling, follow this.



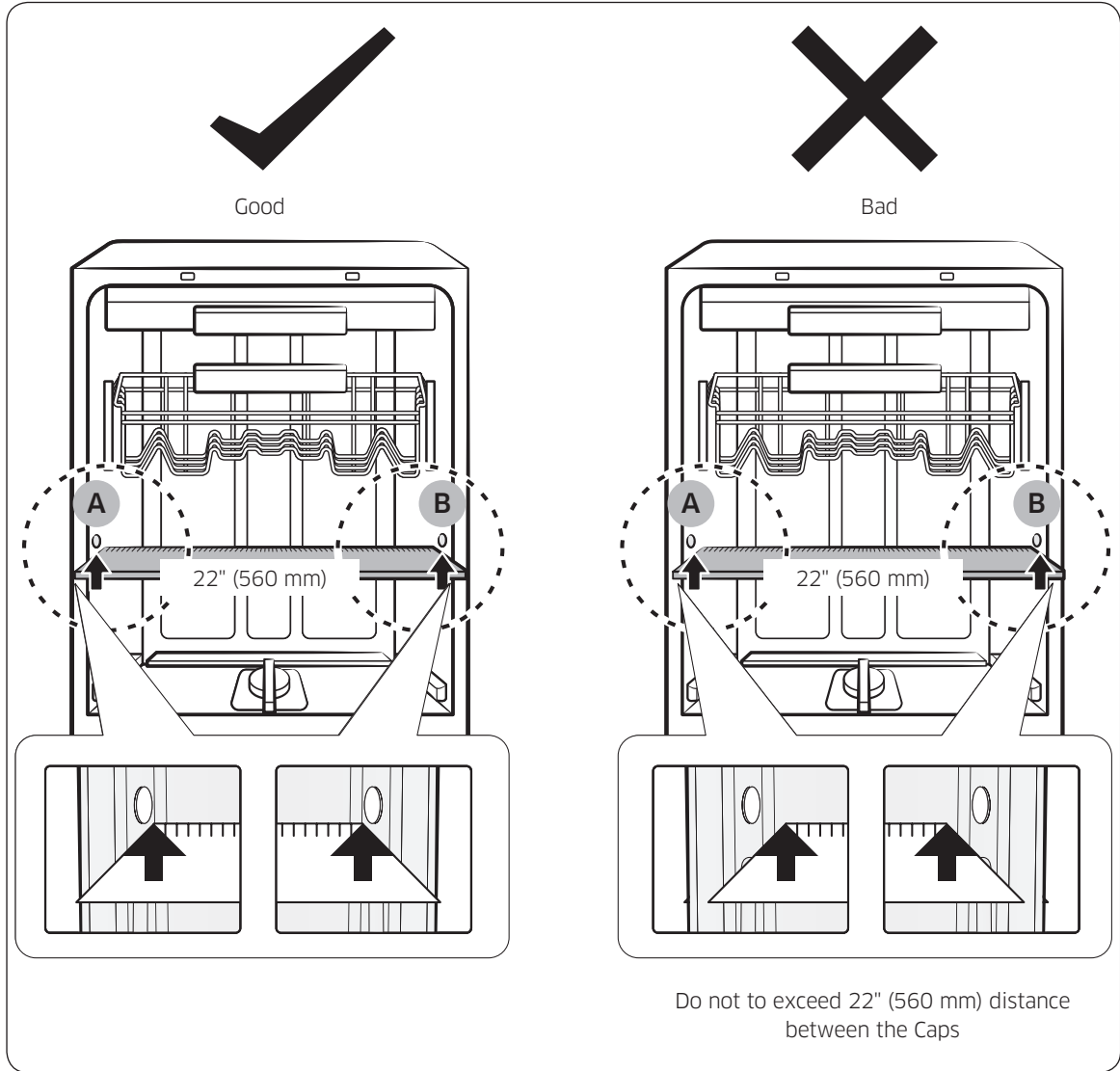
1. Put a large towel into the bottom of the dishwasher (covering the filter) to prevent wood shavings or a dropped screw from falling into the sump.
2. Insert the provided brackets into the side front holes of the dishwasher as shown.
If the brackets are too long, cut them down using pliers.
3. Pre-drill one hole into both sides of the kitchen cabinet.
Make sure the hole is smaller than the diameter of the screw.
4. Tighten the provided screws.
5. Assemble the provided plastic caps as shown.

CAUTION

- After installing the dishwasher inside the cabinet, check if the door opens and closes freely with no interruption with the cabinet.
- If the plastic caps are not assembled, water may leak and cause a fire or electric shock.

Installation

Installation



⚠ CAUTION

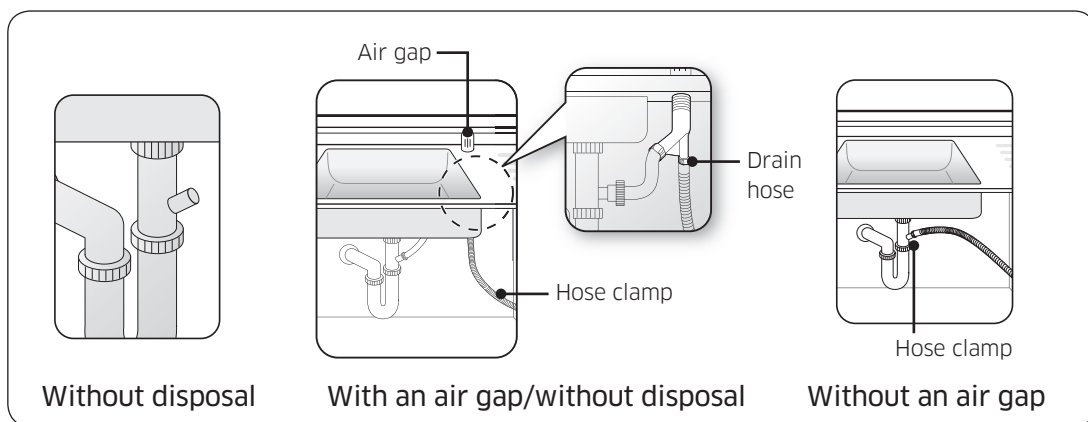
Make sure the tub is not distorted by pressure from the screws. If the tub is distorted, loosen the screws a little. Replace the plastic caps.
Use the paper ruler to measure the specified distance on A and B.

STEP 10 Securing

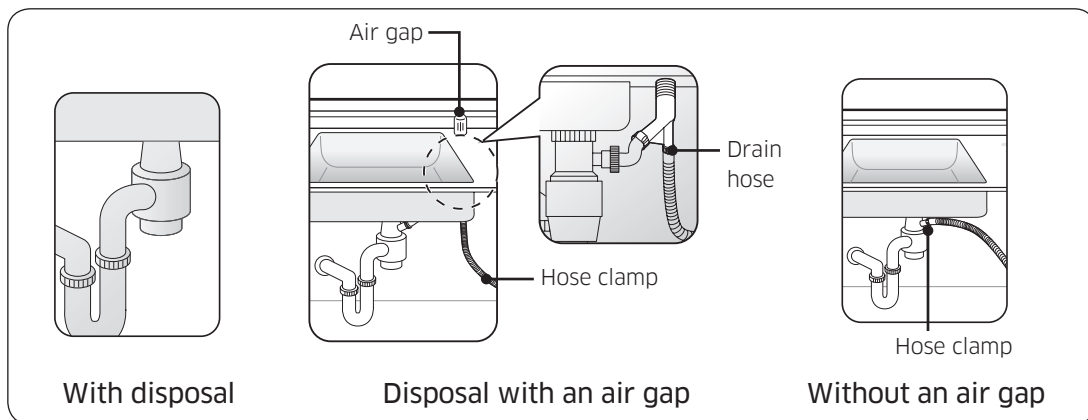
1. Check the parts on the sink to which the drain hose will be connected.
2. There are several ways to insert the drain hose into the drain hose connector of the sink, as shown in the following figures. You must connect the drain hose in accordance with the water pipe installation regulations in your region.

Figure 8

Case 1. Without disposal



Case 2. With disposal



3. Check the size of the sink's drain hose connector. If needed, cut the drain hose so its end fits onto the sink connector ($\frac{5}{8}$ in. or 1 in. - as shown in **Figure 9** below). If the end of the drain hose does not fit onto the drain hose connector of the sink, use an adaptor purchasable at a plumbing/hardware supply store.

Installation

- Slide a hose clamp over the end of the drain hose. Attach the drain hose to the sink connector, slide the hose clamp to the end of the hose, and then tighten the hose clamp.

 **NOTE**

You must use a hose clamp. Failure to do so may cause water leakage.

- To prevent backflow, secure the drain hose to the side or back wall of the kitchen cabinet using cable ties or other fixtures. Make sure the drain hose height is at least 20 inches from the floor. (See **Figure 10**.)
- When drilling a hole for the drain hose on the cabinet wall, take caution not to damage the drain hose by sharp edges of the hole. On wooden walls, use sand paper to soften the edges.
On metal walls, use insulation tape or duct tape to cover the sharp edges around the hole.
- Take caution not the damage the drain hose when installing the dishwasher on the floor, wall, or cabinet.

 **NOTE**

To prevent leaks or drainage problems, make sure the drain hose is not damaged, kinked, or twisted.

- Do not cut the wrinkled area of the drain hose to fit the size. When arranging the drain hose, take caution not to contact on sharp edges of the cabinet or under-sink.

 **CAUTION**

- Be careful when cutting off the end of the drain hose as there is a risk of injury. Clean around the sink's drain connection so that it does not damage the hose. Check for any foreign items in the drain hose and remove them.
- When arranging the drain hose, make sure the drain hose is not cut, torn, or broken by any sharp edges of the floor, the product itself, or the cabinet. A damaged drain hose causes a leak.
- Make sure to unplug the food disposal.

Figure 9

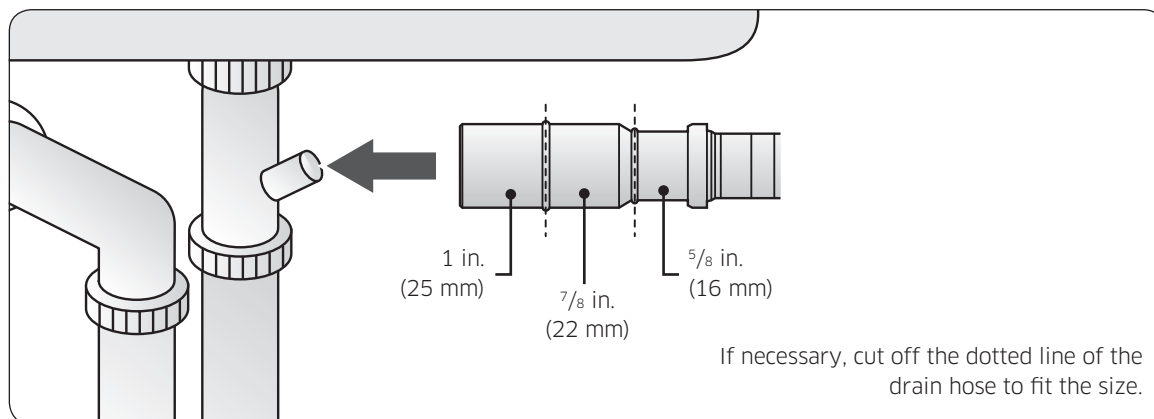
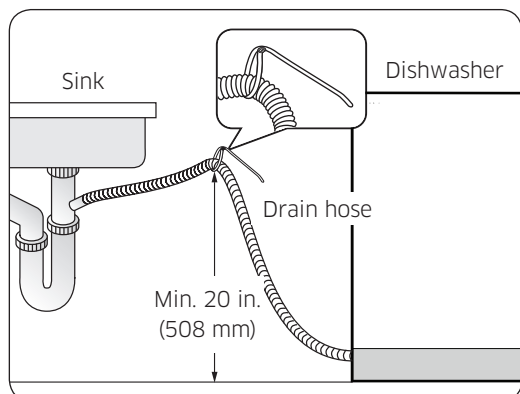


Figure 10



To prevent backflow for models without the air gap, secure the drain hose to the side wall of the kitchen cabinet using cable ties or other fixtures. Make sure the drain hose is high at least 20 inches from the bottom.

Installation

STEP 11 Wiring connections

1. Before connecting the power cable to the dishwasher, make sure the circuit breaker is off.
2. In the junction box located at the front bottom right of the dishwasher, find the three power wires from the dishwasher including the grounding line.
3. Pass the power cable through the strain relief, and then into the junction box (Figure 11).
4. Connect the black wire of the dishwasher to the black wire of the power cable by inserting both into a wire nut, and then rotating the wire connector as shown in Figure 12.
Connect the white wire to the white wire and the green to the green in the same manner.
5. Recheck each wire to ensure it is connected correctly and securely.
Each colored wire should be connected to the corresponding wire of the same color.
White should be connected to white, black to black, and green to green.
6. Reconnect the junction box cover on the dishwasher.

Figure 11

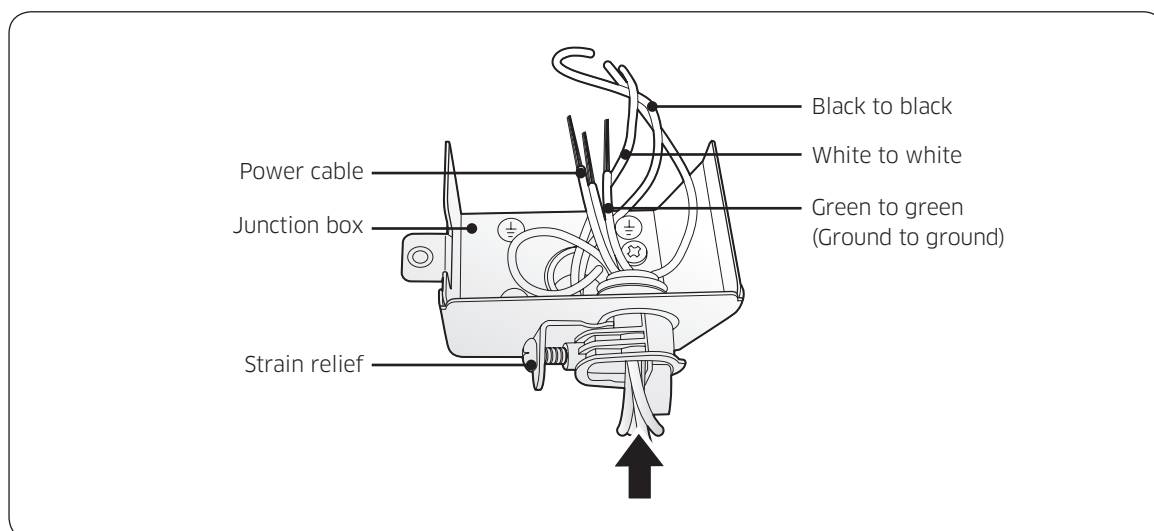
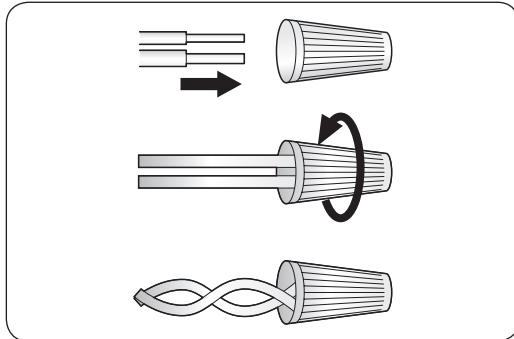


Figure 12



⚠ WARNING

- **Electrical Shock Hazard**
To avoid electrical shock, do not work on an energized circuit. Doing so could result in serious injury or death. Only qualified electricians should perform electrical work. Do not attempt any work on the dishwasher electric supply circuit until you are certain the circuit is de-energized.
- **Fire Hazard**
To avoid a fire hazard, make sure electrical work is properly installed. Only qualified electricians should perform electrical work.

📄 NOTE

Recheck each wire to ensure it is connected correctly and securely.
Each colored wire should be connected to the corresponding wire of the same color.

Installation

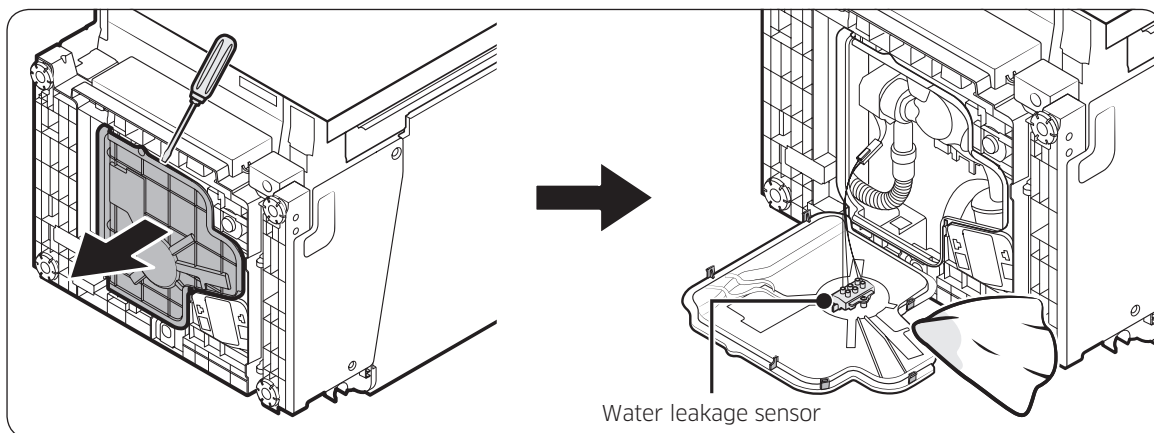
STEP 12 Completing the installation

1. Open the door and remove all foam, paper packaging, and unnecessary parts.
2. Turn on the circuit breaker you turned off before you began the installation.
3. Open the water supply valve to supply water to the dishwasher.
4. Turn on the dishwasher, and then select and run a cycle.

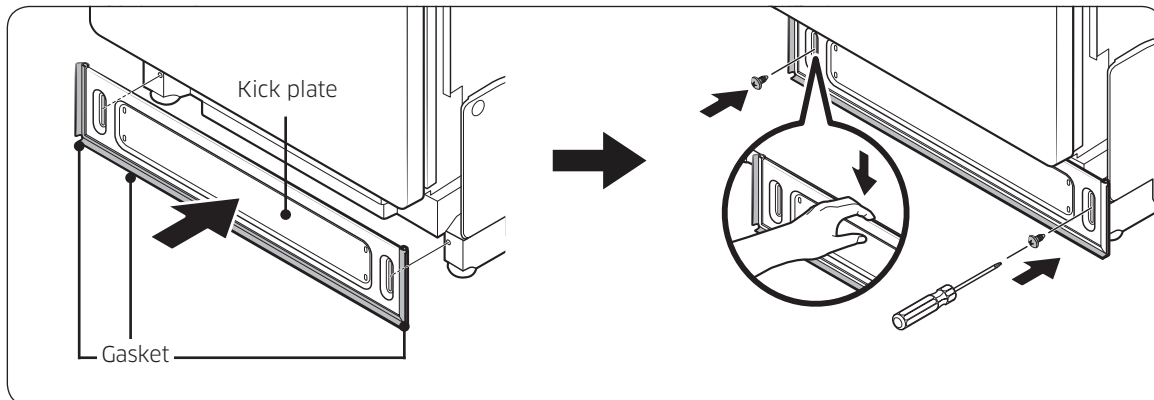
CAUTION

Make sure to check for water leakage on both ends of the water supply line and drain hose connector.

5. Check if the dishwasher turns on properly and check also if there is any leak. If there is no problem, turn the dishwasher off. Skip Steps 6 through 10 and go to Step 11.
6. If the leakage check code of “LC” appears on the window panel, press and hold the **Start** button for more than 3 seconds to start draining. When the draining is complete, unplug the dishwasher and close the water supply valve.
7. Check if the inlet valve leaks. If so, reconnect the 90° fitting with the hot water supply line because they are not properly connected.
8. Once the leak is stopped, lay down the dishwasher as shown, and wipe out moisture from the water leakage sensor.



9. Plug the dishwasher. Then, open the water supply valve and try a cycle.
10. If the “LC” information code continues to appear on the window panel, contact a local service center.
11. Finally, attach the kick plate to the bottom of the dishwasher. While keeping the rubber skirt of the door taut, push the kick plate from the front of the rubber skirt inward underneath the door of the dishwasher. Make sure the gaskets of the kick plate are flush with the floor and side walls. Then, tighten the screws to fix the plate.



⚠ CAUTION

Make sure the kick plate does not interfere with the dishwasher's door opening and closing.

Specifications

Power supply	120 V, 15 A, 60 Hz AC
Water pressure	20~120 psi (140 ~ 830 kPa)
Dimensions (Width×Depth×Height)	23 ⁷ / ₈ x 25 x 33 ⁷ / ₈ in. (605 x 636 x 860 mm)
Minimum inlet water temperature	120 °F (49 °C)

NOTE

Specifications are subject to change without notice for quality improvement purposes.
The actual appearance of the dishwasher may differ from the illustrations in this manual.

Memo

SAMSUNG



DD68-00208B-00

Lave-vaisselle

Manuel d'installation

Série DW80R9950*



SAMSUNG

Table des matières

Consignes de sécurité	3
Consignes de sécurité importantes	3
Avant d'utiliser votre lave-vaisselle	5
Installation	6
Dimensions de l'appareil	11
Dimensions du meuble	12
Caractéristiques techniques	34



Scannez ce code avec votre smartphone

Scannez le code QR* pour visionner des vidéos d'aide à l'installation.

* Un lecteur doit avoir été installé sur votre smartphone.

Consignes de sécurité

Tout au long du présent manuel, vous rencontrerez des remarques intitulées Avertissement et Attention. Les remarques, ainsi que les consignes de sécurité décrites dans cette section, ne sont pas exhaustives. Il est de votre responsabilité de faire appel à votre bon sens et de faire preuve de prudence et de minutie lors de l'installation, de l'entretien et de l'utilisation du lave-vaisselle. Samsung ne saurait être tenue pour responsable en cas de dommage résultant d'une utilisation non conforme.

Consignes de sécurité importantes

Que signifient les icônes et symboles utilisés dans ce manuel d'installation ?

AVERTISSEMENT

Risques ou manipulations dangereuses susceptibles d'entraîner **des blessures graves, voire mortelles.**

ATTENTION

Risques ou manipulations dangereuses pouvant entraîner des **blessures ou des dommages matériels.**

ATTENTION

Pour réduire le risque d'incendie, d'explosion, d'électrocution ou de blessures lors de l'utilisation du lave-vaisselle, veuillez vous conformer aux précautions de sécurité de base suivantes :

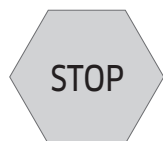
REMARQUE

Indique un risque de blessures ou de dommages matériels.

Ces symboles d'avertissement visent à éviter que vous ou quelqu'un d'autre ne se blesse.

Veuillez vous y conformer scrupuleusement.

Lorsque vous aurez terminé de lire ce manuel, conservez-le dans un endroit sûr afin de pouvoir le consulter ultérieurement.



Ces instructions d'installation ont été rédigées pour être utilisées par des installateurs qualifiés.

Si vous rencontrez des problèmes lors de l'installation du lave-vaisselle,

ÉTATS-UNIS

Veuillez appeler au : 1-800-SAMSUNG (726-7864)

1-844-SAM-PAYS (726-7297)

consulter le site suivant, pour obtenir de l'aide : www.samsung.com/us/support

CANADA

Veuillez appeler au : 1-800-SAMSUNG (726-7864)

ou consulter le site suivant, pour obtenir de l'aide : www.samsung.com/ca/support (English)

www.samsung.com/ca_fr/support (French)

CONSERVEZ CES INSTRUCTIONS



Consignes de sécurité

Avertissement de la Proposition 65 de la Californie

 **AVERTISSEMENT** : Cancer et effets nocifs sur la reproduction -
www.P65Warnings.ca.gov

Lisez attentivement toutes les instructions avant d'utiliser l'appareil.

Installez et entreposez le lave-vaisselle à l'intérieur, dans un endroit où il ne pourra être exposé aux intempéries.

ATTENTION

- N'installez pas le lave-vaisselle près de composants électriques. Éloignez-le des flammes nues.
- N'installez pas le lave-vaisselle sur un tapis en raison des risques d'incendie.
- N'installez pas le lave-vaisselle dans un endroit où l'eau pourrait geler (lorsque la température descend en dessous de 32 °F (0 °C)). Le lave-vaisselle pourrait être endommagé par la glace se trouvant dans les tuyaux et conduits.
- À l'instar de tous les équipements électriques, utilisant l'eau et comportant des parties mobiles, des risques potentiels existent. Pour utiliser cet appareil en toute sécurité, veuillez vous familiariser avec son fonctionnement et faire toujours preuve de prudence.

Le lave-vaisselle doit être mis à la terre de façon appropriée. Ne le branchez jamais à une prise non reliée à la terre.

Avant d'enlever le lave-vaisselle d'origine et de le remplacer par le nouvel appareil, assurez-vous d'avoir coupé votre disjoncteur. Ne branchez pas le câble d'alimentation du lave-vaisselle avant d'avoir terminé l'installation ; ce branchement est la dernière étape à effectuer.

Toutes les opérations de câblage et de mise à la terre doivent être effectuées conformément au code d'électricité en vigueur dans votre pays.

INSTRUCTIONS DE MISE À LA TERRE

Branchement permanent de l'appareil :

Cet appareil doit être connecté à un système de câblage permanent métallique avec mise à la terre ; si ce n'est pas le cas, un conducteur de mise à la terre de l'équipement doit être installé avec les conducteurs du circuit puis connecté à la borne ou au fil de mise à la terre de l'équipement située sur l'appareil.

Le lave-vaisselle est très lourd. Ne tentez pas de le déplacer ou de le transporter seul. Au minimum deux personnes sont nécessaires pour déplacer le lave-vaisselle et ainsi éviter tout risque de blessures.

ATTENTION

- Si le câble d'alimentation est endommagé, faites-le remplacer par le fabricant, un réparateur agréé ou une personne disposant de qualifications similaires afin d'éviter tout risque.
- Ne touchez jamais le câble d'alimentation si vos mains sont mouillées.

CONSERVEZ CES INSTRUCTIONS



- Ne branchez aucun autre appareil sur la même prise électrique que le lave-vaisselle.

Assurez-vous d'utiliser un tuyau d'arrivée d'eau neuf. Un tuyau ancien pourrait se briser à la suite d'un durcissement, ce qui pourrait causer une fuite d'eau et endommager vos biens.

Le lave-vaisselle doit être raccordé à une source d'eau chaude avec une température comprise entre 120 °F (49 °C) et 149 °F (65 °C). Plage de température conseillée pour un résultat de lavage optimal et pour un temps de cycle plus court. Une température supérieure à 149 °F (65 °C) risque d'endommager la vaisselle.

Assurez-vous que l'eau alimentée dans le lave-vaisselle ne peut pas geler, car la glace pourrait endommager les tuyaux, les valves, la pompe ou d'autres composants.

Les lave-vaisselle domestiques certifiés ne sont pas conçus pour une utilisation dans des établissements de restauration sous licence.

(Norme NSF/ANSI 184 pour les lave-vaisselle domestiques)

Pour obtenir une liste complète des consignes de sécurité, veuillez vous reporter au Manuel d'utilisation.

Avant d'utiliser votre lave-vaisselle

AVERTISSEMENT



Risque de basculement

- N'utilisez pas le lave-vaisselle avant qu'il ne soit correctement installé.
- N'appuyez pas sur la porte du lave-vaisselle lorsque celle-ci est ouverte.
- Ne placez rien de trop lourd sur la porte du lave-vaisselle lorsque celle-ci est ouverte.



Risque d'électrocution

Le non-respect de ces consignes peut entraîner un incendie ou une électrocution et avoir des conséquences mortelles.

- Reliez le lave-vaisselle à la terre.
- Connectez le fil de terre au connecteur de terre vert de la boîte de jonction.
- N'utilisez pas de rallonge.

Afin de réduire les risques d'incendie, d'électrocution ou de blessures, l'installateur doit veiller à ce que le lave-vaisselle soit entièrement encastré au moment de l'installation.

CONSERVEZ CES INSTRUCTIONS

Installation

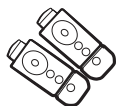
Veillez à ce que vous ou votre installateur respectiez soigneusement ces instructions afin de garantir le bon fonctionnement de votre nouveau lave-vaisselle et d'éviter tout risque de blessures lors de son utilisation.

ÉTAPE 1 Vérification des pièces et des outils

Avant de commencer l'installation, préparez tous les outils et pièces dont vous aurez besoin ; ceci permettra de gagner du temps lors de l'installation et de simplifier le processus d'installation.

Pièces nécessaires

Fournies avec le lave-vaisselle. Vérifiez que toutes les pièces sont présentes au moment du déballage du lave-vaisselle ÉTAPE 5.



2 supports
d'installation



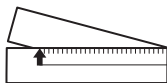
Plaque de protection



6 vis
(pour l'installation de
la plaque de protection
et du support)



Autocollant de
protection



Règle en papier



Raccord à écrou
et joint (pour le
raccord $\frac{3}{4}$ " à 90°)

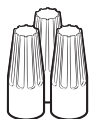


6 bouchons en
plastique

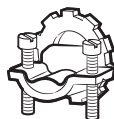
Non fournies



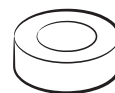
Câble d'alimentation



Capuchons de connexion pour fils



Réducteur de tension



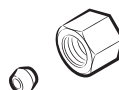
Ruban isolant et ruban pour conduits standard



Tuyau d'arrivée d'eau chaude



Raccord à 90° (3/4")



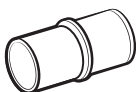
Raccords pour tuyaux



Collier de serrage



Coupure antirefoulement



Raccord en caoutchouc

REMARQUE

Tuyau d'arrivée d'eau chaude : nous vous recommandons vivement d'utiliser un tuyau en cuivre d'au moins $\frac{3}{8}$ " de diamètre extérieur avec raccord à compression ou un tuyau flexible d'arrivée d'eau chaude tressé en acier inoxydable.

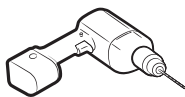
[Avertissement : n'utilisez pas de tube plastique ; il risque de se détériorer avec le temps et de provoquer des fuites dans le raccord.]

Vous aurez également besoin d'un raccord à 90° avec filetage NPT externe de $\frac{3}{4}$ " sur une extrémité et d'un raccord adapté au tuyau d'arrivée d'eau chaude (tuyau en cuivre/raccord de compression ou tuyau tressé) sur l'autre extrémité.

Pour le câble d'alimentation, nous vous recommandons d'utiliser un câble 12-2 gainé avec mise à la terre. Remarque : certains codes locaux peuvent exiger un câble avec gaine métallique de style BX.

Installation

Outils nécessaires



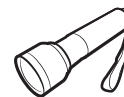
Perceuse électrique



Lunettes de sécurité



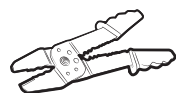
Gants



Lampe de poche



Clé à molette



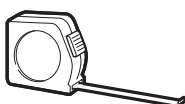
Outil à dénuder



Pinces



Pince coupante



Mètre à ruban



Crayon



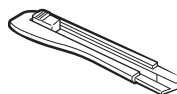
Tournevis cruciforme



Tournevis plat



Coupe-tube



Couteau



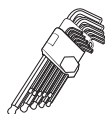
Scie-cloche



Niveau



Torx t20



Clé hexagonale

REMARQUE

Nouvelle installation

Si aucun lave-vaisselle n'a encore été installé, la majorité du travail devra être effectuée avant que le lave-vaisselle ne soit mis en place.

Remplacement

Si ce lave-vaisselle est installé en remplacement d'un ancien modèle, assurez-vous de vérifier la compatibilité des tuyaux existants. Remplacez-les au besoin.

ÉTAPE 2 Choisir le bon emplacement

Prenez en compte les critères suivants pour déterminer le meilleur emplacement pour votre lave-vaisselle :

- Le sol de la pièce choisie doit pouvoir supporter le poids du lave-vaisselle.
- Choisissez un endroit situé près d'un évier, à proximité d'une arrivée d'eau, d'une vidange et d'une prise électrique.

REMARQUE

Pour que la vidange puisse se faire correctement, installez le lave-vaisselle à moins de 9,8 pi (3 m) de l'évier.

- Vous devez pouvoir charger la vaisselle facilement dans le lave-vaisselle.
- Choisissez un emplacement qui vous permette d'ouvrir facilement la porte du lave-vaisselle et assurez-vous qu'il y ait un espace suffisant entre l'appareil et les parois l'entourant (au moins 0,1 po (2 mm)).

REMARQUE

Si le lave-vaisselle est installé dans un angle, assurez-vous que le côté du lave-vaisselle se trouve à plus de 2 po (50 mm) du mur ou du meuble situé à sa gauche ou à sa droite.

- Le mur à l'arrière doit être libre de toute obstruction.
- Assurez-vous que le meuble du lave-vaisselle est bien fixé au sol. Si le meuble n'est pas fixé, il peut découpler le bruit généré par le lave-vaisselle pendant son utilisation.

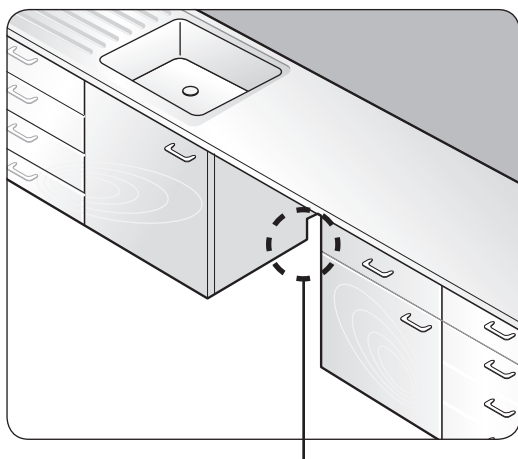
Installation

S'il s'agit d'une première installation, procédez comme suit :

1. À l'aide d'une scie-cloche de 2 pouces $\frac{1}{2}$, découpez un trou sur le côté du meuble supportant l'évier, comme indiqué dans la **Figure 1-1** ci-dessous.
2. Si la base à l'intérieur du meuble de l'évier est surélevée par rapport au sol de la cuisine et se trouve au-dessus des raccordements du lave-vaisselle, percez un trou dans la base et sur le côté du meuble, comme indiqué sur la **Figure 1-2**.

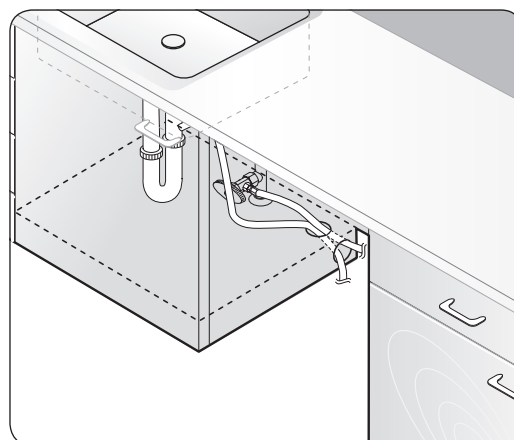
REMARQUE

En fonction de l'emplacement de votre prise électrique, vous aurez peut-être besoin de percer un trou sur le côté opposé du meuble.



Trou pour le tuyau d'arrivée d'eau, le tuyau d'évacuation et les câbles d'alimentation.

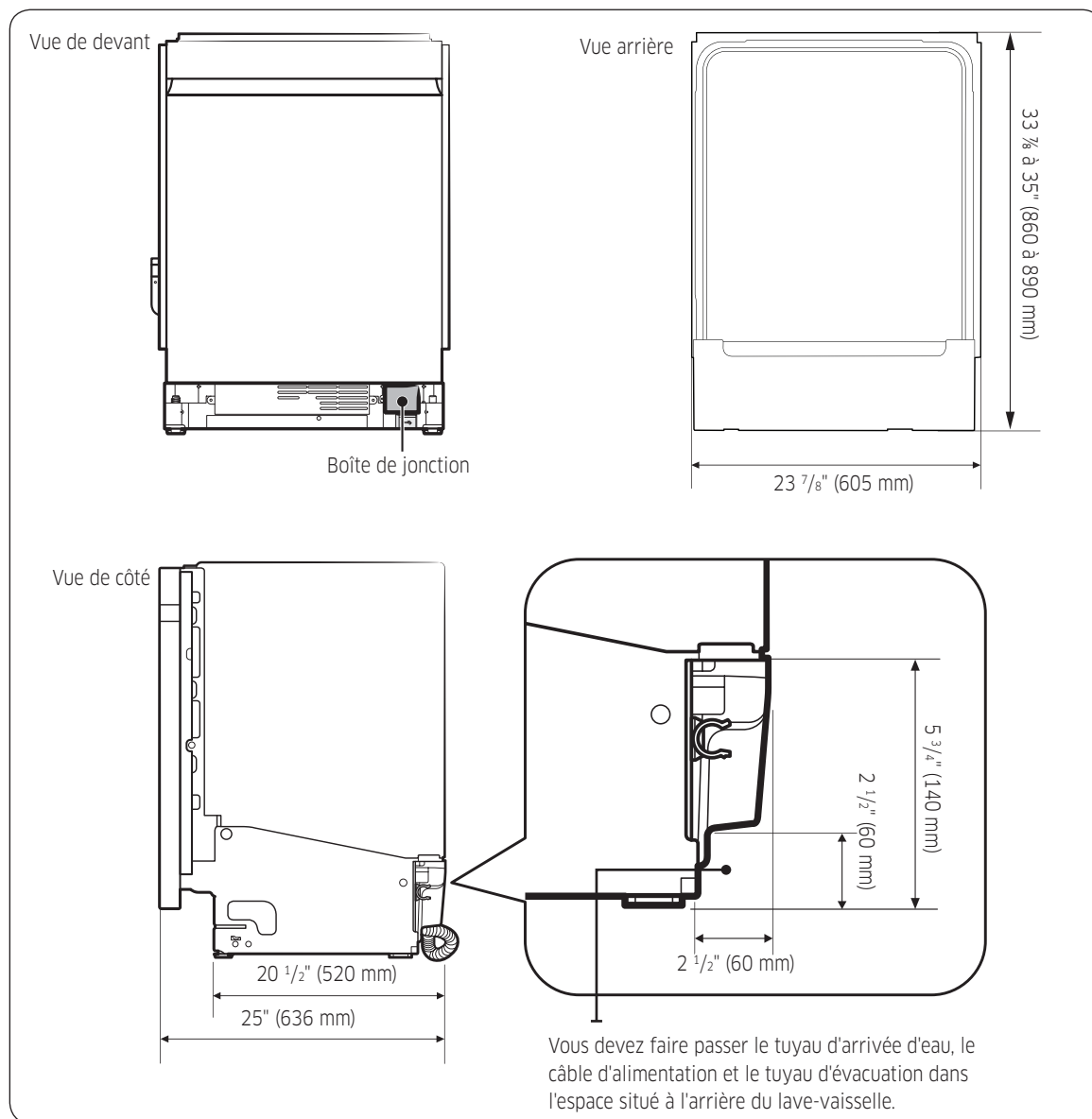
Figure 1-2



ATTENTION

Assurez-vous que le trou dans le meuble est bien lisse avant d'insérer le tuyau d'évacuation à travers le trou. Si le trou dans le meuble a un bord tranchant, vous risquez d'endommager le tuyau d'évacuation et provoquer une fuite sur le tuyau.

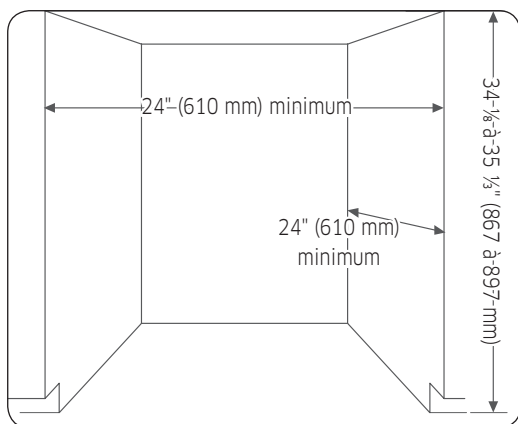
Dimensions de l'appareil



Installation

Installation

Dimensions du meuble



REMARQUE

Ce lave-vaisselle est conçu pour être encastré dans un meuble standard de cuisine domestique, aussi bien sur le dessus que les deux côtés.

Le meuble d'installation doit être propre et dégagé.

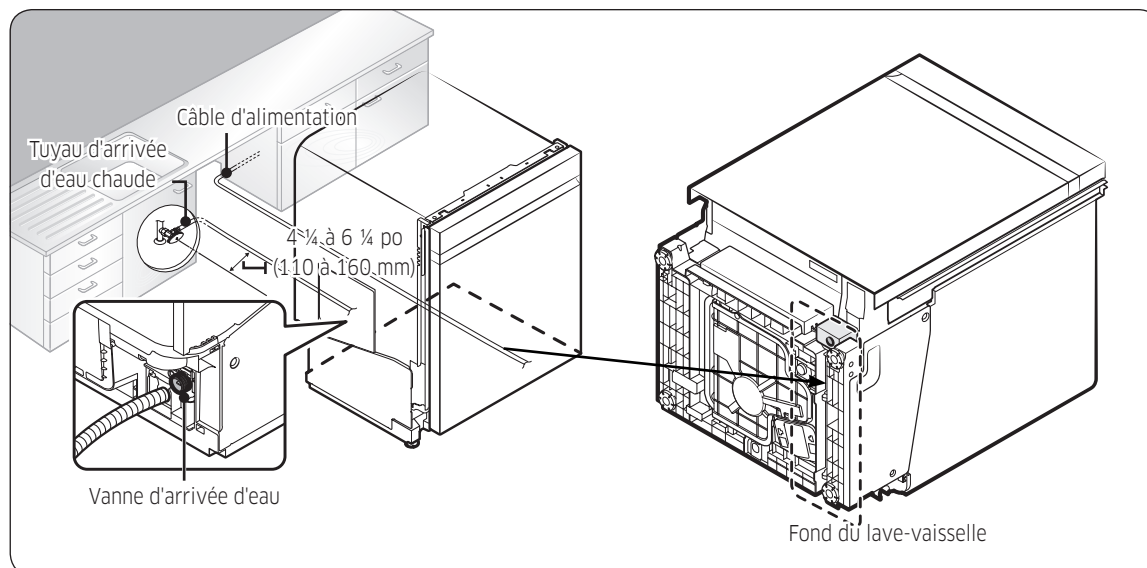
Le meuble doit avoir une largeur minimale de 24 pouces, une profondeur de 24 pouces et une hauteur de 34 pouces ¹/₈.

Afin que la porte avant du lave-vaisselle soit parfaitement alignée avec le bord du plan de travail, ce dernier doit avoir une profondeur minimale de 25 pouces.

ÉTAPE 3 Vérifiez les normes et les conditions à respecter en matière d'alimentation en eau.

- La pression d'alimentation en eau chaude doit se situer entre 20 et 120 psi (140 et 830 kPa).
- Réglez le chauffe-eau de façon à ce que l'eau chaude se situe entre 120 °F (49 °C) et 149 °F (65 °C).
 - Le lave-vaisselle doit être raccordé à une source d'eau chaude avec une température comprise entre 120 °F (49 °C) et 149 °F (65 °C). Plage de température conseillée pour un résultat de lavage optimal et pour un temps de cycle plus court. Une température supérieure à 149 °F (65 °C) risque d'endommager la vaisselle.
 - Assurez-vous d'avoir fermé la vanne d'arrivée d'eau avant de raccorder le tuyau d'arrivée d'eau chaude au lave-vaisselle.
 - Réalisez l'étanchéité des raccords du tuyau d'eau chaude avec du ruban Téflon ou un produit d'étanchéité pour empêcher toute fuite.
 - Le tuyau d'évacuation raccordé au lave-vaisselle doit passer par le trou que vous avez percé dans la paroi latérale avant de pouvoir le raccorder à la sortie d'évacuation de l'évier. Lorsque vous installez le lave-vaisselle, assurez-vous que rien ne se trouve sur le tuyau d'évacuation et faites attention à ne pas l'endommager lors de l'installation.

Figure 2



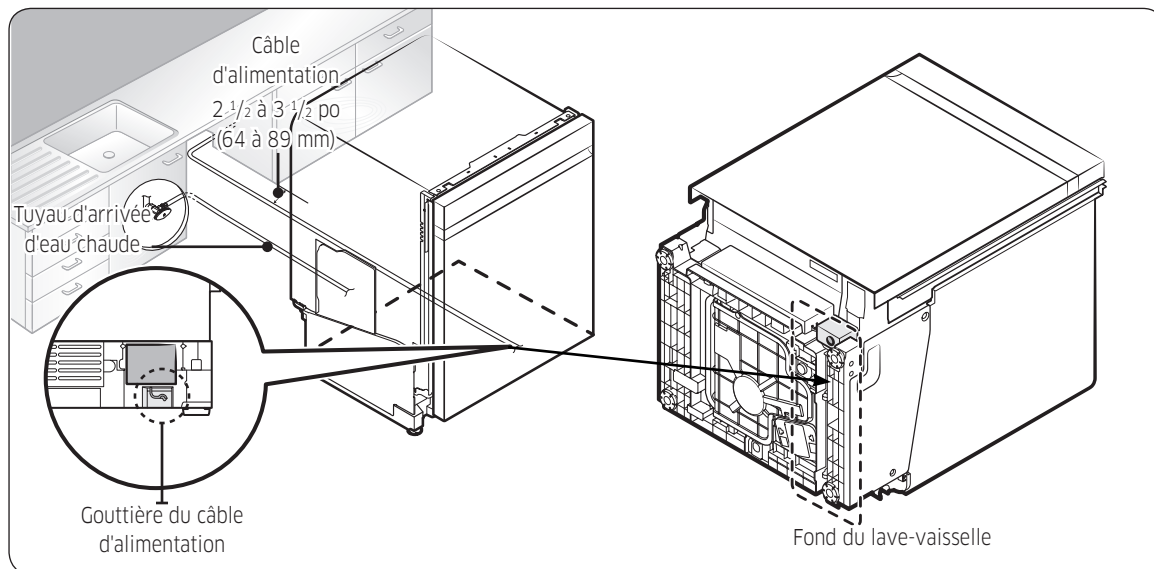
Installation

ÉTAPE 4 Vérifiez les normes et les conditions à respecter en matière d'électricité

Exigences électriques à respecter pour le lave-vaisselle :

- Aux États-Unis, l'installation doit être conforme au National Electric Code (Code américain sur les installations électriques) et aux normes municipales, locales et/ou des différents États.
- Au Canada, l'installation doit être conforme au Code canadien de l'électricité C22.1 (dernière version) et aux normes municipales, provinciales et/ou locales.
- Pour le branchement direct des câbles.
 - Utilisez un câble en cuivre flexible avec armature ou gaine non métallique, doté d'un fil de mise à la terre et conforme à la législation en vigueur en matière de câblage.
 - Utilisez le réducteur de tension fourni avec la boîte de jonction de câblage ou installez un connecteur à collier répertorié UL/certifié CSA sur la boîte de jonction de câblage. Si vous utilisez une gaine, choisissez un connecteur à gaine répertorié UL/certifié CSA.

Figure 3

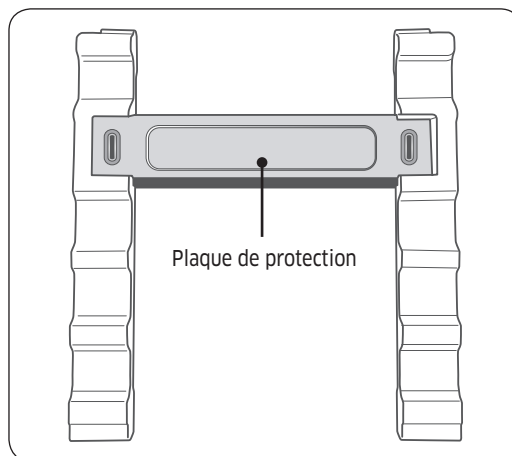


ÉTAPE 5 Déballage et vérification du lave-vaisselle

Déballer le lave-vaisselle dans une pièce dégagée autour de l'emballage et au-dessus. Nous vous conseillons de conserver tous les matériaux d'emballage jusqu'à ce que le lave-vaisselle soit installé et opérationnel afin de vous assurer que vous avez bien retiré tous les composants de l'appareil des matériaux d'emballage avant de les jeter.

Déballage

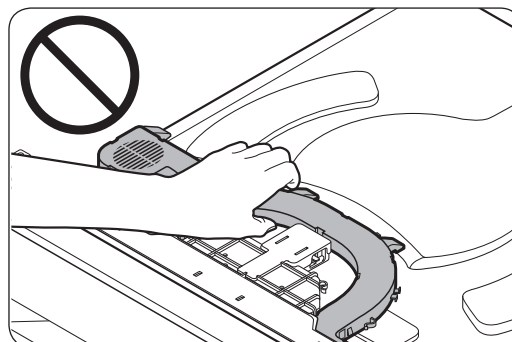
1. Placez le carton à l'endroit, de telle sorte que les flèches pointent vers le haut.
2. Détachez ou coupez les sangles maintenant l'emballage.
3. Déballer le produit de son emballage avec précaution.
4. Retirez les sangles et tous les matériaux d'emballage entourant le lave-vaisselle en vérifiant qu'ils ne présentent aucun signe de dommage.
5. Localisez la plaque de protection et mettez-la de côté. Elle est fixée au matériau d'emballage du lave-vaisselle.



6. Sortez le lave-vaisselle de son emballage en le soulevant, puis posez-le doucement sur le sol.

⚠ ATTENTION

- SOULEVEZ TOUJOURS LE LAVE-VAISSELLE POUR LE DÉPLACER. Si vous le faites glisser sur des surfaces inégales, vous risquez d'endommager les pieds du lave-vaisselle et faire glisser les pieds sur une surface finie peut, dans certains cas, endommager le revêtement du sol ou la surface sous-jacente.
- Faites attention à ne pas attraper le conduit d'air supérieur lorsque vous déplacez le lave-vaisselle.



7. Nous vous conseillons de laisser en place les matériaux d'emballage se trouvant à l'intérieur du lave-vaisselle jusqu'à ce que celui-ci soit installé.
8. NE RETIREZ en aucun cas le revêtement d'absorption acoustique entourant l'extérieur de la cuve du lave-vaisselle.

Installation

Inspection

Éléments mécaniques

1. Vérifiez que l'ensemble de la base en plastique est intacte.
2. Vérifiez que les pieds du lave-vaisselle sont en place et opérationnels afin que vous puissiez mettre l'appareil de niveau et le fixer.
3. Vérifiez que tous les composants visibles à la base du lave-vaisselle sont intacts et correctement fixés.
4. Vérifiez que le loquet de la porte et les charnières fonctionnent et que la porte est correctement fixée au lave-vaisselle.

Éléments de plomberie

1. Vérifiez le raccord d'eau chaude à l'arrière gauche de la base du lave-vaisselle.
La plaque de montage doit être fixée à l'arrière de la base, les filetages à l'intérieur du raccord doivent être réguliers et brillants et la zone doit être propre et exempte de tout débris.
2. Assurez-vous que le lave-vaisselle et les accessoires sont tous inclus dans l'emballage et vérifiez que les composants sont intacts et que tous les branchements sont correctement effectués.
3. Vérifiez que le tuyau d'évacuation n'est pas percé ou déformé afin d'éviter tout risque de fuite d'eau lors de l'évacuation.

Éléments électriques

1. Vérifiez que le cache de la boîte de jonction est fixé à cette dernière sur le côté avant droit du lave-vaisselle.
2. Vérifiez que le boîtier électrique n'a pas été endommagé lors du transport et qu'il est correctement fixé sur la base du lave-vaisselle.

État général

1. Vérifiez l'absence de coups ou de rayures sur l'avant du lave-vaisselle.
2. Vérifiez que les arêtes de la porte sont en parfait état.
3. Vérifiez que le panneau de commande n'est pas rayé et que tous les voyants de contrôle sont au bon endroit.

Pièces

Vérifiez que vous êtes bien en possession de toutes les pièces mentionnées à l'**ÉTAPE 1** en page 6.

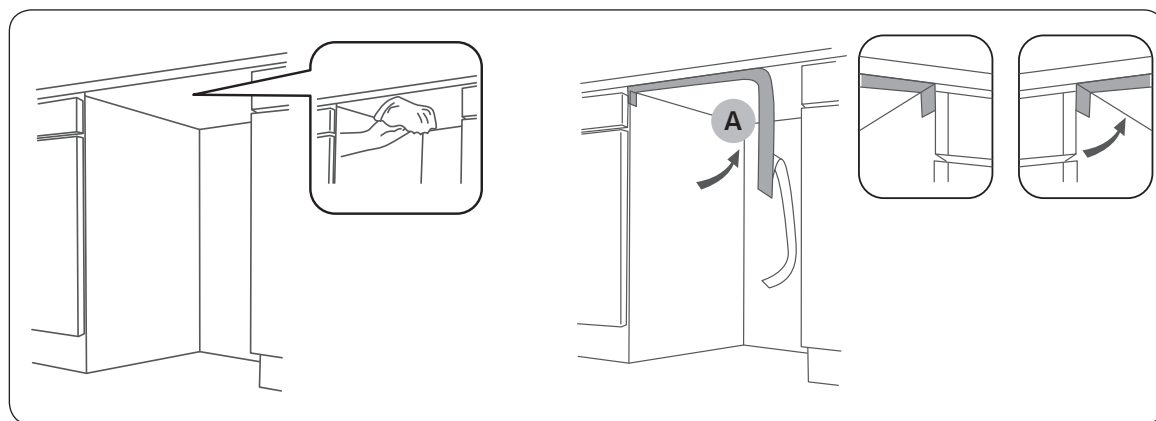
ÉTAPE 6 Préparation du lave-vaisselle

1. Apposez l'autocollant de protection (A).

- Pour éviter tout dommage, apposez l'autocollant de protection sur le dessous du plan de travail, comme indiqué sur l'image.

REMARQUE

- Avant d'apposer l'autocollant de protection, nettoyez le plan de travail comme indiqué sur l'image.
- Veuillez noter que la longueur de l'autocollant de protection est de 26 pouces (660 mm).



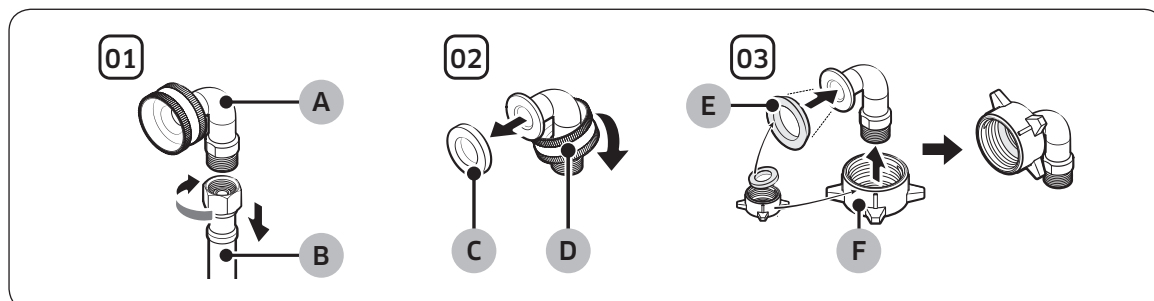
2. Assurez-vous que le disjoncteur et la vanne d'arrivée d'eau sont bien coupés avant d'effectuer les étapes suivantes.

ATTENTION

Avant de déplacer ou de coucher le lave-vaisselle pour l'installation, assurez-vous de régler la hauteur des pieds de sorte qu'ils soient aussi courts que possible. Cela permet d'éviter que les pieds ne se cassent. Mettez le lave-vaisselle de niveau en réglant la hauteur des pieds une fois l'appareil en place.

Installation

3. Utilisez le raccord à écrou fourni pour raccorder le tuyau d'eau au lave-vaisselle. Suivez les étapes ci-après :



- 01** Détachez le raccord à 90° (A) au niveau du tuyau (B).
- 02** Retirez le joint (C) et l'écrou (D) au niveau du raccord à 90°.
- 03** Sur le raccord à écrou fourni, détachez le joint (E) et l'écrou (F), puis installez-les sur le raccord à 90°, comme indiqué sur la figure. Vous devez insérer le côté le plus petit du joint.
4. Ensuite, insérez le raccord $\frac{3}{4}$ " à 90 degrés dans la vanne d'arrivée d'eau (reportez-vous à la Figure 4-B). Serrez jusqu'à ce que le raccord $\frac{3}{4}$ " soit correctement serré. Ne le serrez pas à l'excès.
5. Coupez les bandes Velcro maintenant en place le tuyau d'évacuation à l'arrière du lave-vaisselle. Déroulez le tuyau. Assurez-vous qu'il n'y a pas de nœuds et que le tuyau n'est pas courbé selon des angles extrêmes pouvant freiner l'écoulement de l'eau.
6. À l'aide d'un tournevis, retirez le cache de la boîte de jonction située dans la partie inférieure droite, à l'avant du lave-vaisselle, puis installez le réducteur de tension (Figure 4-C). Conservez précieusement le cache de la boîte de jonction que vous avez retiré. Il sera utilisé à l'ÉTAPE 11, Câblage.
7. Si le plan de travail est en bois ou dans un matériau qui ne risque pas d'être endommagé par le perçage, fixez les deux (2) supports d'installation fournis avec le lave-vaisselle à l'aide des vis fournies (Figure 4-A). Ils seront utilisés à l'ÉTAPE 9, Fixer le lave-vaisselle.

Si le tuyau d'évacuation doit être placé côté droit du lave-vaisselle, serrez le tuyau dans la fixation du tuyau montée sur la base. La fixation du tuyau peut être installée de trois façons. Pour déplacer la fixation du tuyau, pressez-la légèrement puis tournez vers la gauche.

Veillez à l'immobiliser dans la zone indiquée par une flèche.

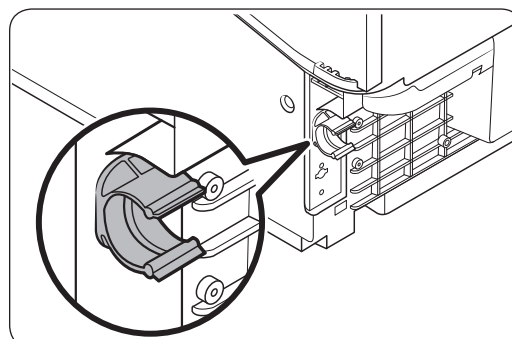
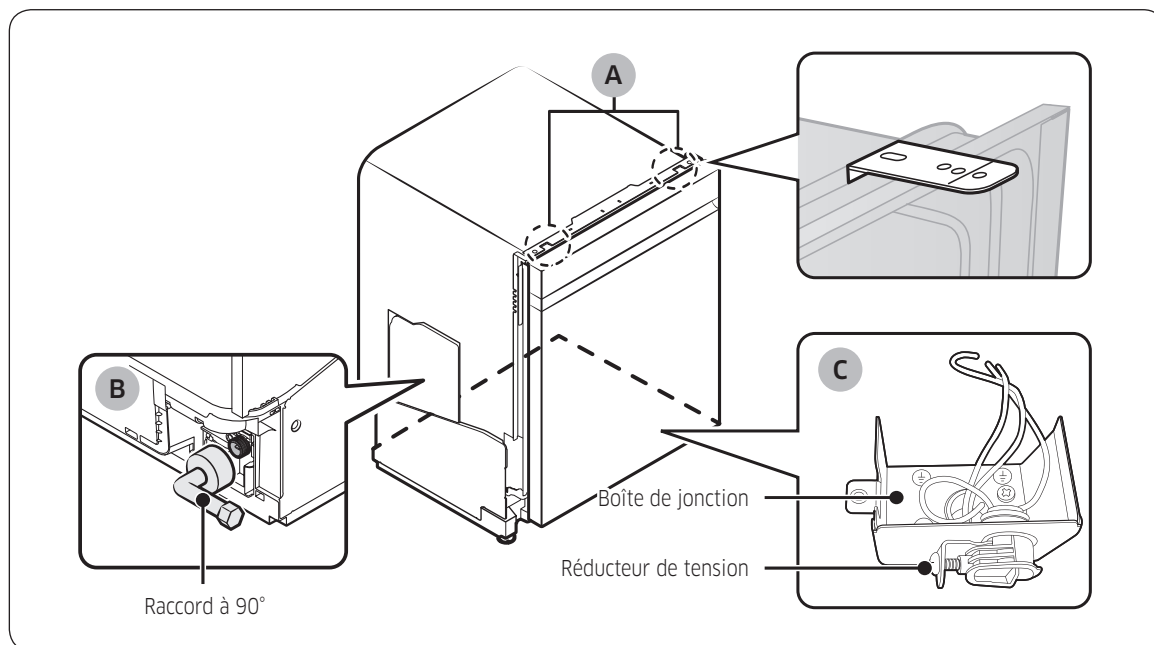


Figure 4



⚠ ATTENTION

Ne serrez pas le raccord à 90° à l'excès. (Moins de 280 lb·po (31,6 N·m))
Vous risqueriez d'endommager la vanne d'arrivée d'eau et de provoquer une fuite.

Installation

ÉTAPE 7 Mise en place du lave-vaisselle et raccordement du tuyau d'arrivée d'eau chaude

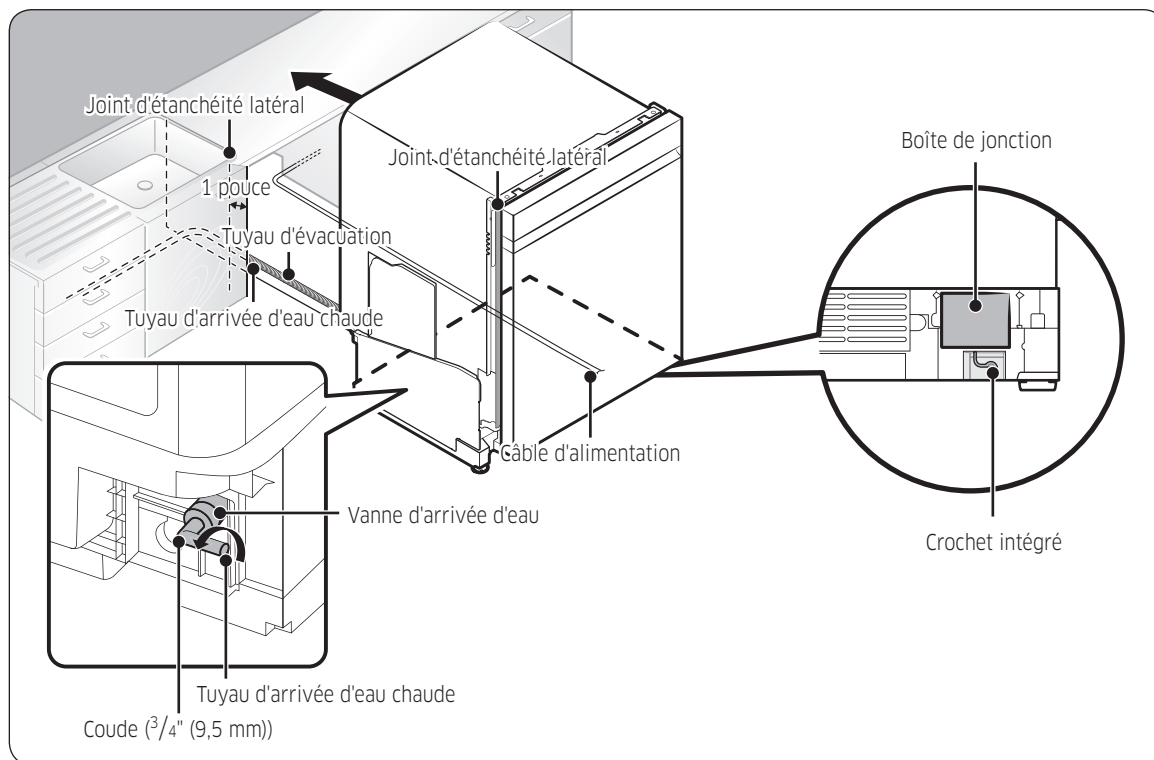
1. Ajustez les trois pieds de mise à niveau situés sous le lave-vaisselle après avoir mesuré la hauteur de l'ouverture du meuble (espace situé entre la face inférieure du plan de travail et le sol). (Voir **ÉTAPE 8**, Mise à niveau du lave-vaisselle.)
2. Localisez le tuyau d'arrivée d'eau chaude et le câble d'alimentation.
3. Installez le lave-vaisselle de telle manière que le tuyau d'arrivée d'eau chaude soit du côté gauche et le câble d'alimentation dans la gouttière droite située à la base du lave-vaisselle. La gouttière du côté droit dédiée au câble d'alimentation possède un crochet intégré sur la base, vous pouvez ainsi immobiliser le câble.
4. Faites passer le tuyau d'évacuation à travers le trou de la paroi latérale du meuble sous évier. Vérifiez qu'il n'est pas plié.
5. Assurez-vous que le tuyau d'arrivée d'eau chaude n'est pas vrillé, puis raccordez-le au joint du raccord.
6. Faites glisser doucement le lave-vaisselle dans son emplacement. Si possible, tirez doucement sur les longueurs en excès du tuyau d'arrivée d'eau, du tuyau d'évacuation ou du câble d'alimentation pendant l'opération. Demandez l'aide d'une deuxième, voire d'une troisième personne si nécessaire.

ATTENTION

Assurez-vous de ne pas déposer le lave-vaisselle sur le tuyau d'arrivée d'eau, le tuyau d'évacuation ou le câble d'alimentation. Assurez-vous aussi qu'ils ne sont ni pliés ni vrillés.

- Assurez-vous que le tuyau d'arrivée est bien raccordé.
Enroulez du ruban Téflon autour de chaque connexion afin d'empêcher toute fuite d'eau.
Assurez-vous que les joints d'étanchéité latéraux sont parfaitement insérés. Sinon, cela peut décupler le bruit pendant l'utilisation du lave-vaisselle.
- Assurez-vous que les deux joints d'étanchéité latéraux sont situés entre $1\frac{3}{16}$ " et 1" (20 et 25 mm) en arrière par rapport à l'extrémité avant du meuble de cuisine. Une distance inférieure peut décupler le bruit pendant l'utilisation du lave-vaisselle.

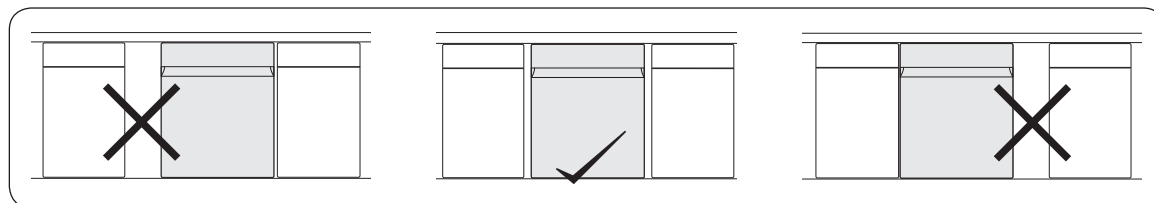
Figure 5



⚠ ATTENTION

Ne serrez pas le raccord à 90° à l'excès. (Moins de 280 lb-po (31,6 N·m))

Vous risqueriez d'endommager la vanne d'arrivée d'eau et de provoquer une fuite.

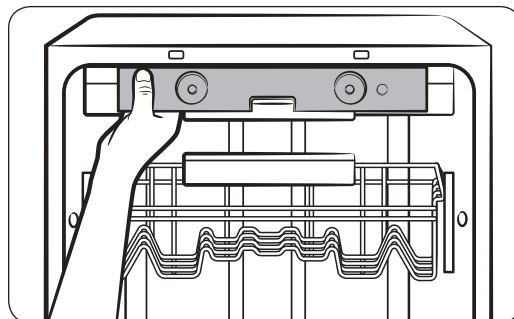


Assurez-vous que le lave-linge est placé au centre.

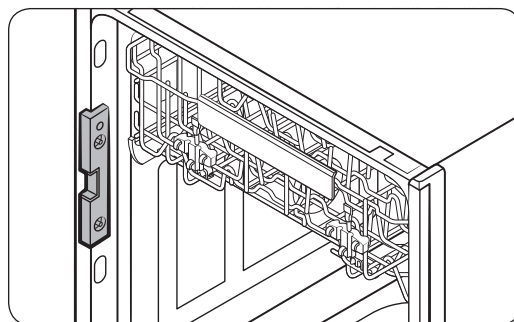
Installation

ÉTAPE 8 Mise à niveau du lave-vaisselle

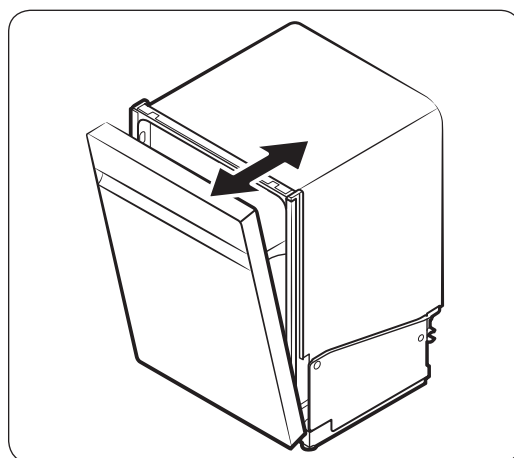
1. Ouvrez la porte et placez le niveau contre le haut de la cuve située à l'intérieur et vérifiez si le lave-vaisselle est de niveau. S'il n'est pas de niveau, faites tourner les pieds de mise à niveau situés au bas à l'avant du lave-vaisselle jusqu'à ce que ce dernier soit de niveau. Reportez-vous à la première remarque ci-dessous pour connaître les instructions d'ajustement de la hauteur des pieds avant.



2. Utilisez le niveau pour vérifier si le lave-vaisselle est de niveau d'avant en arrière, comme indiqué sur la figure de droite. Si le lave-vaisselle n'est pas de niveau d'avant en arrière, ajustez la hauteur du pied arrière jusqu'à ce que le lave-vaisselle soit de niveau. Reportez-vous à la deuxième remarque ci-dessous pour connaître les instructions d'ajustement du pied arrière.

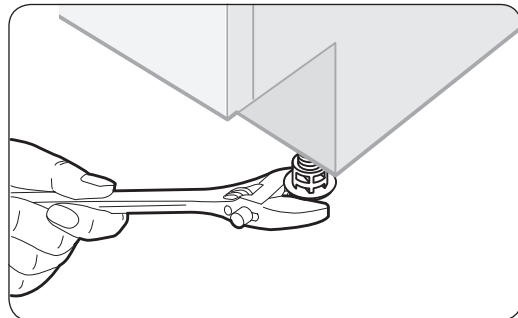


3. Ouvrez la porte du lave-vaisselle et vérifiez si les dégagements de la porte et de la cuve sont corrects. Si ce n'est pas le cas, faites tourner les pieds de mise à niveau au bas à l'avant du lave-vaisselle. Vous pouvez également vérifier cela en plaçant un niveau contre une surface verticale avant de la cuve, à l'intérieur.



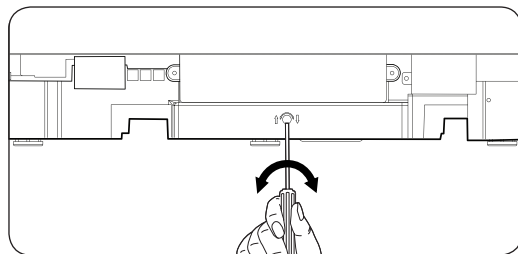
REMARQUE

- Si vous tournez les pieds de mise à niveau vers la gauche (sens inverse des aiguilles d'une montre), ils seront dévissés, ce qui soulèvera l'avant du lave-vaisselle. Si vous les faites tourner vers la droite (sens des aiguilles d'une montre), ils se resserrent et l'avant du lave-vaisselle s'abaisse.
- Vous pouvez ajuster les pieds de mise à niveau au maximum jusqu'à $16/32$ ". Toutefois, nous vous déconseillons de mettre l'appareil à niveau à la hauteur maximale.



REMARQUE

Pour régler la hauteur d'un pied arrière, faites tourner le boulon T210 Torx (situé à l'avant de la base) vers la gauche à l'aide d'un outil approprié (tournevis T20 Torx) pour soulever l'arrière du lave-vaisselle.



ATTENTION

- Avant de déplacer le lave-vaisselle pour l'installation, assurez-vous de régler la hauteur des pieds de sorte qu'ils soient aussi courts que possible. Cela permet d'éviter que les pieds ne se cassent. Mettez le lave-vaisselle de niveau en réglant la hauteur des pieds une fois l'appareil en place.
- Si l'appareil est installé sans avoir été mis à niveau ou avec un pied manquant, la porte risque de ne pas se fermer complètement, et cela peut entraîner une fuite de vapeur ou d'eau.
- Lors du réglage de la hauteur du lave-vaisselle, assurez-vous que le joint d'étanchéité supérieur est parfaitement inséré en dessous du haut du meuble de cuisine. Sinon, cela peut décupler le bruit pendant l'utilisation du lave-vaisselle.

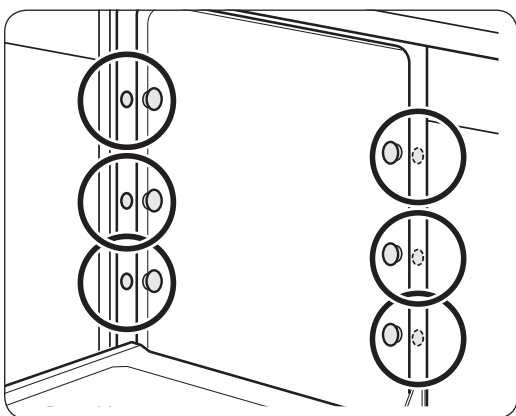
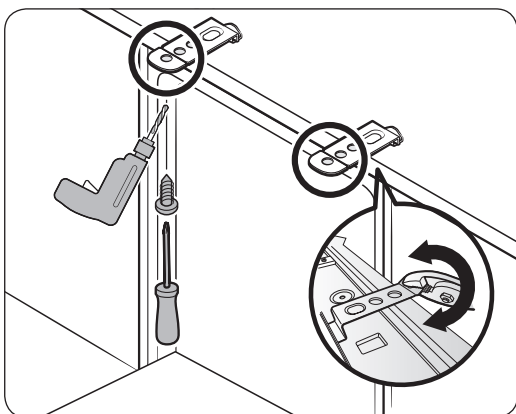
Installation

ÉTAPE 9 Fixation du lave-vaisselle

Le lave-vaisselle doit être fixé au plan de travail ou aux parois latérales du meuble pour plus de stabilité et de sécurité.

Au plan de travail

Si le plan de travail est en bois ou dans un matériau qui ne risque pas d'être endommagé par le perçage, suivez les instructions ci-dessous.



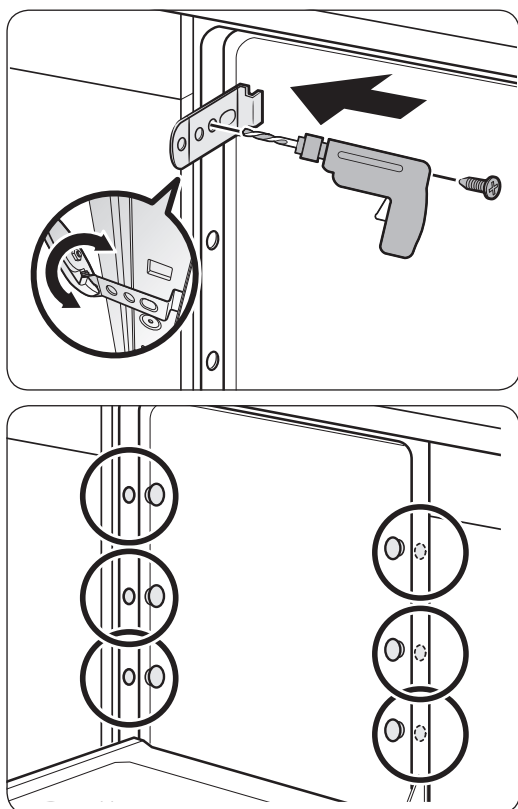
1. Placez une grande serviette dans le fond du lave-vaisselle (recouvrant le filtre) afin d'empêcher que des copeaux de bois ou une vis ne tombent dans le puits collecteur.
2. Insérez les supports fournis dans les trous situés en haut à l'avant du lave-vaisselle, comme indiqué.
Si les supports sont trop longs, coupez-les à l'aide d'une pince.
3. Pré-percez les trous par chevauchement des supports.
Assurez-vous que le trou est plus petit que le diamètre de la vis.
4. Serrez les vis fournies.
5. Installez les bouchons en plastique fournis, comme indiqué.

⚠ ATTENTION

- Après avoir installé le lave-vaisselle à l'intérieur du meuble, vérifiez si la porte s'ouvre et se ferme librement sans interférence avec le meuble.
- Si les bouchons en plastique ne sont pas installés, cela peut entraîner une fuite d'eau puis causer un incendie ou une électrocution.

Sur les côtés

Si le plan de travail est en granite, marbre ou tout autre matériau qui risque d'être endommagé par le perçage, suivez les instructions ci-dessous.

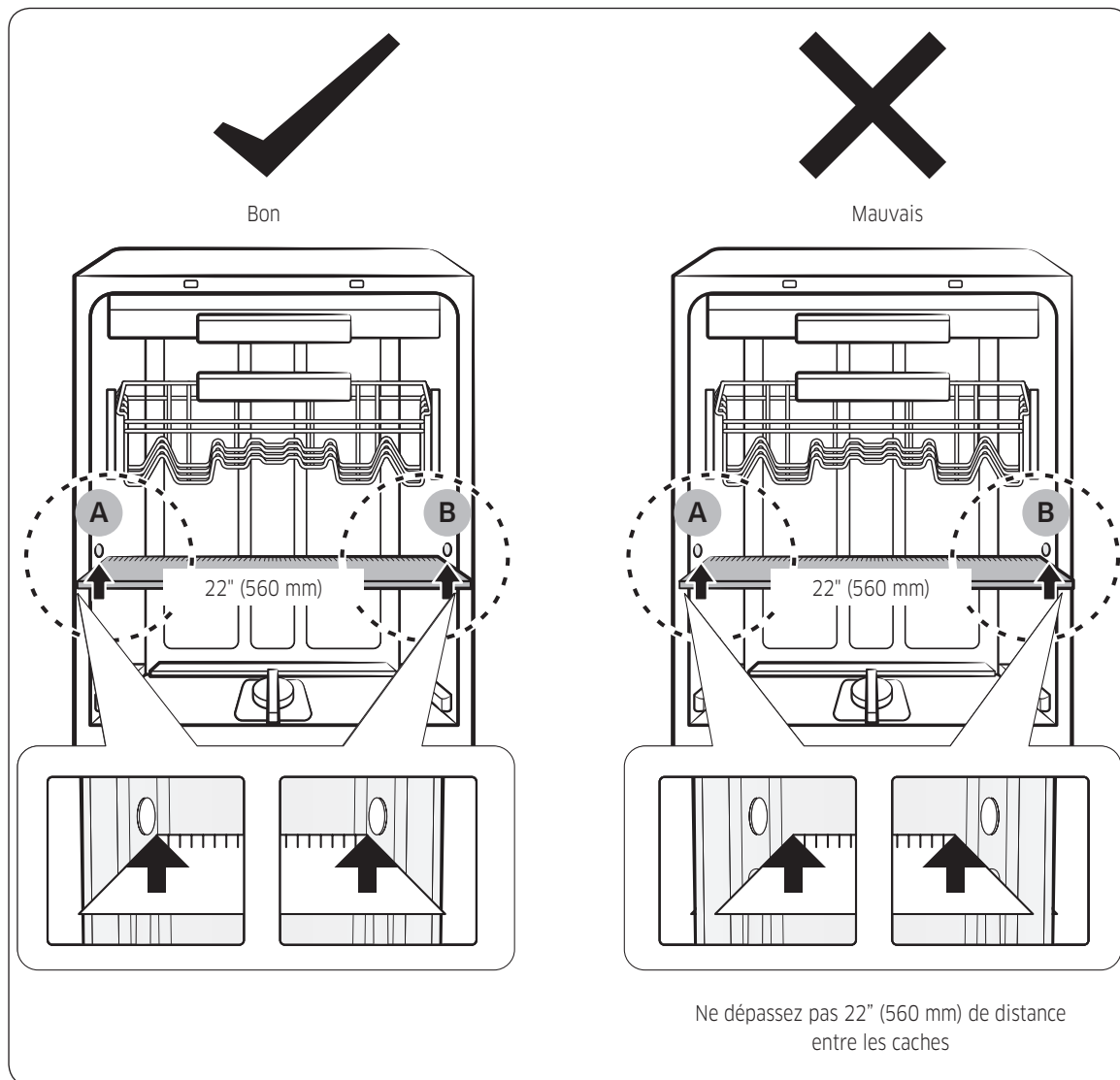


1. Placez une grande serviette dans le fond du lave-vaisselle (recouvrant le filtre) afin d'empêcher que des copeaux de bois ou une vis ne tombent dans le puits collecteur.
2. Insérez les supports fournis dans les trous situés sur les côtés à l'avant du lave-vaisselle, comme indiqué.
Si les supports sont trop longs, coupez-les à l'aide d'une pince.
3. Pré-percez un trou des deux côtés du meuble de cuisine.
Assurez-vous que le trou est plus petit que le diamètre de la vis.
4. Serrez les vis fournies.
5. Installez les bouchons en plastique fournis, comme indiqué.

⚠ ATTENTION

- Après avoir installé le lave-vaisselle à l'intérieur du meuble, vérifiez si la porte s'ouvre et se ferme librement sans interférence avec le meuble.
- Si les bouchons en plastique ne sont pas installés, cela peut entraîner une fuite d'eau puis causer un incendie ou une électrocution.

Installation



⚠ ATTENTION

Vérifiez que la cuve n'est pas déformée sous la pression des vis. Si la cuve est déformée, desserrez légèrement les vis. Remettez les bouchons en plastique en place.

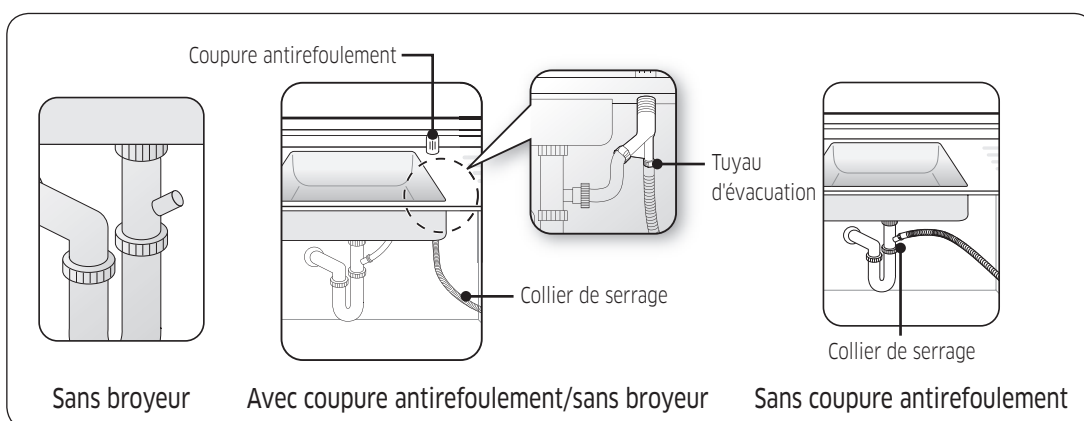
Utilisez la règle en papier pour mesurer la distance spécifiée sur A et B.

ÉTAPE 10 Fixation

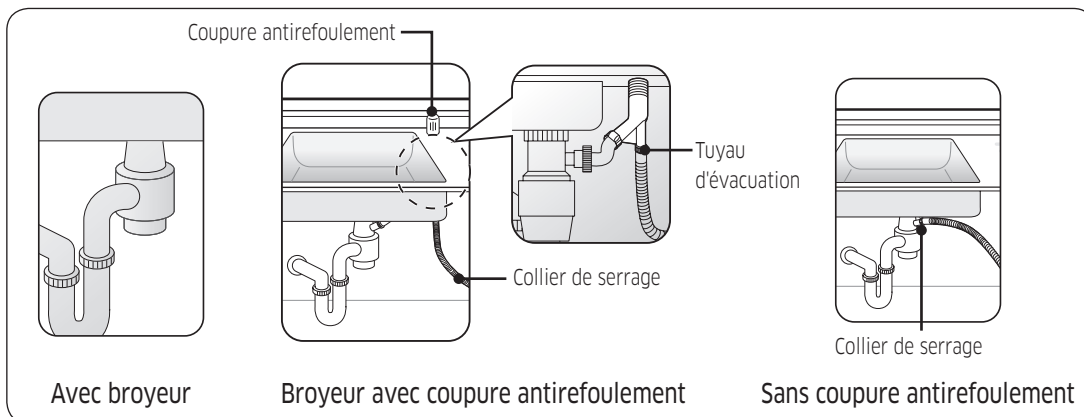
1. Contrôlez les pièces sur l'évier auxquelles le tuyau d'évacuation sera raccordé.
2. Il existe plusieurs façons d'insérer le tuyau d'évacuation dans le raccord du tuyau d'évacuation de l'évier (reportez-vous aux figures suivantes). Le raccordement du tuyau d'évacuation doit se faire conformément aux règlements sur l'installation de tuyaux d'eau en vigueur dans votre région.

Figure 8

Premier cas. Sans broyeur



Deuxième cas. Avec broyeur



3. Vérifiez la taille du raccord du tuyau d'évacuation de l'évier. Au besoin, coupez le tuyau d'évacuation pour que son extrémité s'adapte au raccord de l'évier ($\frac{5}{8}$ po ou 1 po, comme l'indique la **Figure 9** ci-dessous). Si l'extrémité du tuyau d'évacuation n'est pas adaptée au raccord du tuyau d'évacuation de l'évier, utilisez un adaptateur en vente dans n'importe quel magasin de plomberie/matériel.

Installation

4. Faites glisser un collier de serrage sur l'extrémité du tuyau d'évacuation. Fixez le tuyau d'évacuation au raccord de l'évier, faites glisser le collier de serrage jusqu'à l'extrémité du tuyau et serrez le collier.

REMARQUE

L'utilisation d'un collier de serrage est obligatoire. Ne pas en utiliser risque d'entraîner des fuites d'eau.

5. Pour éviter un reflux, raccordez le tuyau d'évacuation sur la paroi latérale ou arrière du meuble de cuisine à l'aide de serre-câbles ou autres dispositifs de fixation. Assurez-vous que le tuyau d'évacuation se situe à au moins 20 pouces au-dessus du sol. (Voir **Figure 10**.)
6. Lorsque vous percez un trou dans le tuyau d'évacuation sur la paroi du meuble, veillez à ce que les bords tranchants du trou n'endommagent pas le tuyau d'évacuation. Sur les parois en bois, utilisez du papier abrasif pour poncer et rendre les bords plus lisses.
Sur les parois métalliques, utilisez du ruban isolant ou du ruban pour conduits pour couvrir les bords tranchants autour du trou.
7. Veillez à ne pas endommager le tuyau d'évacuation lors de l'installation du lave-vaisselle sur le sol, le mur ou le meuble.

REMARQUE

Pour éviter toute fuite ou problème d'évacuation, assurez-vous que le tuyau d'évacuation n'est pas endommagé, plié ou vrillé.

8. Ne coupez pas la zone plissée sur le tuyau d'évacuation pour adapter la taille. Lors de l'installation du tuyau d'évacuation, veillez à ne pas toucher les bords tranchants du meuble ou sous l'évier.

ATTENTION

- Soyez prudent lorsque vous coupez l'extrémité du tuyau d'évacuation, car il existe un risque de blessures. Nettoyez la partie entourant le raccord d'évacuation de l'évier pour éviter d'endommager le tuyau. Assurez-vous de l'absence de tout corps étranger dans le tuyau d'évacuation. S'il y en a, retirez-les.
- Lors de l'installation du tuyau d'évacuation, assurez-vous que ce dernier n'a pas été coupé, déchiré ou cassé par un bord tranchant du sol, de l'appareil lui-même ou du meuble. Un tuyau d'évacuation endommagé peut entraîner une fuite.
- Assurez-vous de bien débrancher le broyeur à déchets.

Figure 9

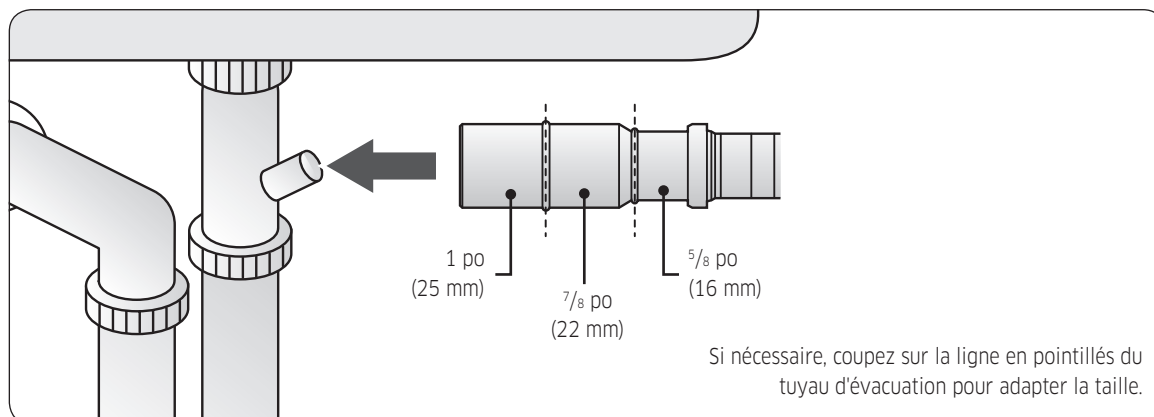
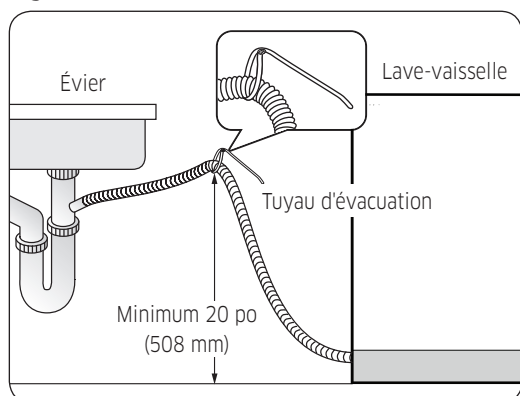


Figure 10



Pour éviter un reflux sur les modèles sans coupure antirefoulement, raccordez le tuyau d'évacuation sur la paroi latérale du meuble de cuisine à l'aide de serre-câbles ou autres dispositifs de fixation. Assurez-vous que le tuyau d'évacuation se situe à au moins 20 pouces au-dessus du fond.

Installation

ÉTAPE 11 Câblage

1. Avant de raccorder le câble d'alimentation au lave-vaisselle, assurez-vous d'avoir coupé le disjoncteur.
2. Dans la boîte de jonction située en bas à droite et à l'avant du lave-vaisselle, localisez les trois fils d'alimentation du lave-vaisselle, y compris le câble de mise à la terre.
3. Faites passer le câble d'alimentation dans le réducteur de tension, puis dans la boîte de jonction (Figure 11).
4. Raccordez le fil noir du lave-vaisselle au fil noir du câble d'alimentation en les insérant tous les deux dans un serre-fils, puis en tournant le connecteur comme indiqué sur la Figure 12. Raccordez le fil blanc au fil blanc et le fil vert au fil vert de la même manière.
5. Vérifiez à nouveau chaque câble afin de vous assurer qu'il est correctement et fermement branché. Chaque câble coloré doit être branché au câble correspondant de la même couleur. Le blanc doit être branché avec le blanc, le noir avec le noir et le vert avec le vert.
6. Rebranchez ensuite le cache de la boîte de jonction sur le lave-vaisselle.

Figure 11

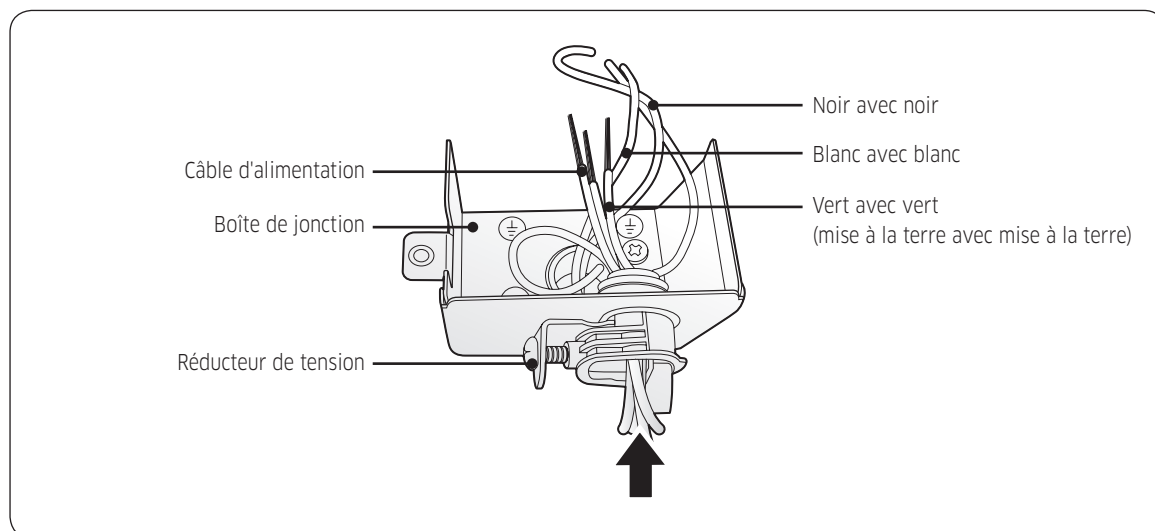
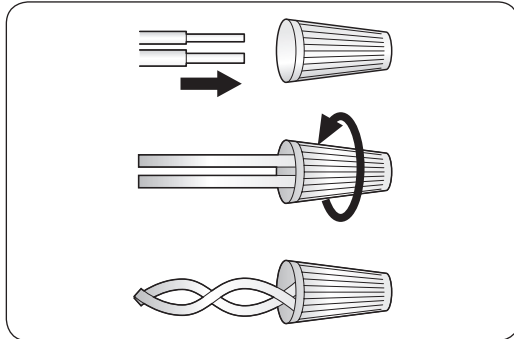


Figure 12



⚠ AVERTISSEMENT

- Risque d'électrocution
Pour éviter toute électrocution, ne travaillez pas avec un circuit sous tension. Cela pourrait entraîner des blessures graves voire mortelles. Seuls des électriciens qualifiés doivent effectuer des travaux électriques. Ne tentez aucune action sur le circuit d'alimentation électrique du lave-vaisselle tant que vous n'êtes pas certain que le circuit est hors tension.
- Risque d'incendie
Pour éviter tout risque d'incendie, assurez-vous que les circuits électriques sont correctement installés. Seuls des électriciens qualifiés doivent effectuer des travaux électriques.

📄 REMARQUE

Vérifiez à nouveau chaque câble afin de vous assurer qu'il est correctement et fermement branché. Chaque câble coloré doit être branché au câble correspondant de la même couleur.

Installation

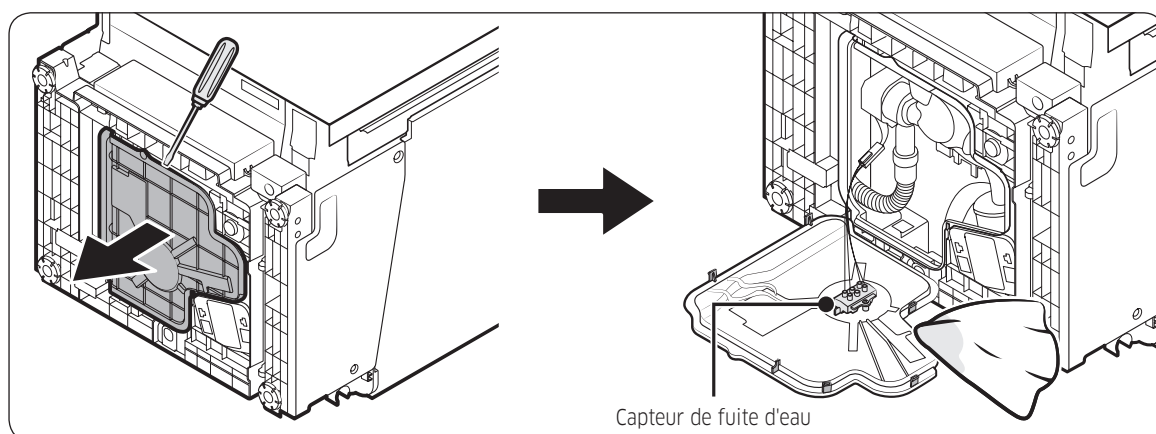
ÉTAPE 12 Fin de l'installation

1. Ouvrez la porte du lave-vaisselle et retirez toute la mousse, l'emballage en papier et tout ce qui est inutile.
2. Remettez alors sous tension le disjoncteur que vous aviez coupé avant de commencer l'installation.
3. Ouvrez ensuite la vanne d'arrivée d'eau pour amener l'eau jusqu'au lave-vaisselle.
4. Allumez le lave-vaisselle, puis sélectionnez et lancez un cycle.

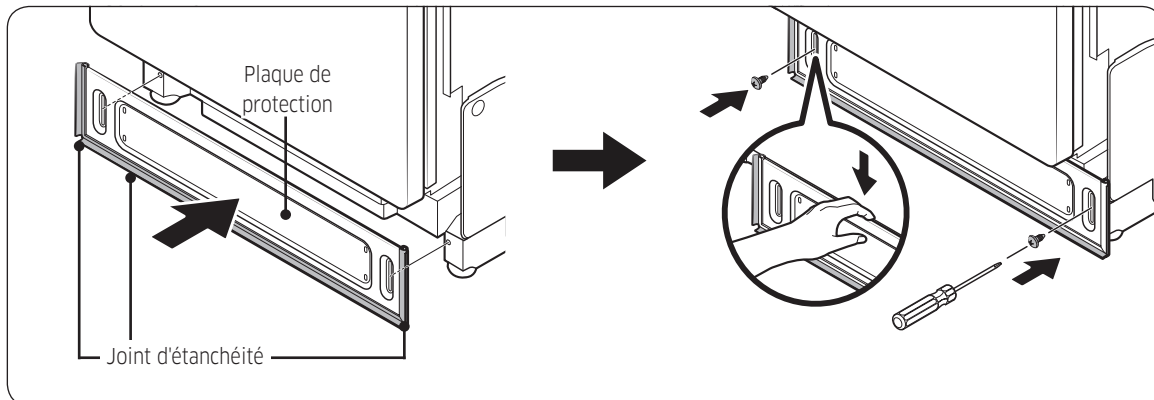
⚠ ATTENTION

Vérifiez l'absence de fuites d'eau au niveau des deux extrémités du tuyau d'arrivée d'eau et du raccordement du tuyau d'évacuation.

5. Vérifiez si le lave-vaisselle s'allume correctement et s'il n'y a pas de fuite. En l'absence de problèmes, éteignez le lave-vaisselle. Ignorez les Étapes 6 à 10 et passez à l'Étape 11.
6. Si le code de contrôle de fuite « LC » s'affiche sur le tableau de commande, maintenez le bouton **Start (Départ)** enfoncé pendant plus de 3 secondes pour démarrer l'évacuation. Une fois la vidange terminée, débranchez le lave-vaisselle et fermez la vanne d'arrivée d'eau.
7. Vérifiez si la vanne d'arrivée d'eau fuit. Si tel est le cas, rebranchez le raccord à 90° sur le tuyau d'arrivée d'eau chaude car ils ne sont pas branchés correctement.
8. Une fois la fuite arrêtée, couchez le lave-vaisselle comme indiqué puis essuyez l'humidité présente sur le capteur de fuite d'eau.



9. Branchez le lave-vaisselle. Ouvrez ensuite la vanne d'arrivée d'eau et essayez un cycle.
10. Si le code d'information « LC » apparaît encore sur le tableau de commande, prenez contact avec un centre de dépannage local.
11. Pour finir, fixez la plaque de protection en bas du lave-vaisselle. Tout en maintenant la jupe en caoutchouc de la porte bien tendue, poussez la plaque de protection depuis l'avant de la jupe en caoutchouc vers l'intérieur en dessous de la porte du lave-vaisselle. Assurez-vous que les joints d'étanchéité de la plaque de protection sont alignés avec le sol et les parois latérales. Ensuite, serrez les vis pour fixer la plaque.



⚠ ATTENTION

Assurez-vous que la plaque de protection n'interfère pas avec l'ouverture et la fermeture de la porte du lave-vaisselle.

Caractéristiques techniques

Alimentation	CA 120 V, 15 A, 60 Hz
Pression d'eau	20 à 120 psi (140 à 830 kPa)
Dimensions (Longueur × Profondeur × Hauteur)	23 ⁷ / ₈ x 25 x 33 ⁷ / ₈ po (605 x 636 x 860 mm)
Température minimale de l'arrivée d'eau	120 °F (49 °C)

REMARQUE

Les caractéristiques techniques sont susceptibles d'être modifiées sans préavis, à des fins d'amélioration de la qualité. Le lave-vaisselle peut différer des illustrations présentées dans le présent manuel.

Mémo

SAMSUNG



DD68-00208B-00