



Dryer

User manual

DV25B6800E*

SAMSUNG

Contents

Safety information	4
What you need to know about the safety instructions	4
Important safety symbols	4
CALIFORNIA PROPOSITION 65 WARNING	6
Important safety precautions	6
Warnings	8
Cautions	8
Before installation	10
Key installation requirements	10
Location considerations	10
Ducting requirements	14
Exhausting requirements	15
Electrical requirements	16
Installation	18
What's included	18
Step-by-step installation	20
Exhaust ducting guide	24
Changing the direction of the exhaust duct (optional)	25
Vent blockage test	29
Switching the door position	32
Before you start	37
Sort and load	37
Functional prerequisite	37
Operations	38
Feature panel	38
Simple steps to start	40
Cycle overview	41
Cycle guide	42
Special features	43

Maintenance	45
Cleaning	45
Troubleshooting	46
Checkpoints	46
Information codes	49
Specifications	50
Fabric care chart	50
Protecting the environment	51
Specification sheet	52
Cycle chart	53

Safety information

Congratulations on your new Samsung dryer. This manual contains important information on the installation, use and care of your appliance. Please take some time to read this manual to take full advantage of your dryer's many benefits and features.

What you need to know about the safety instructions

Please read this manual thoroughly to ensure that you know how to safely and efficiently operate the extensive features and functions of your new appliance. Please store the manual in a safe location close to the appliance for future reference. Use this appliance only for its intended purpose as described in this instruction manual.

Warnings and Important Safety Instructions in this manual do not cover all possible conditions and situations that may occur. It is your responsibility to use common sense, caution and care when installing, maintaining and operating your dryer.

Because the following operating instructions cover various models, the characteristics of your dryer may differ slightly from those described in this manual and not all warning signs may be applicable. If you have any questions or concerns, contact your nearest service center or find help and information online at www.samsung.com.

Important safety symbols

What the icons and signs in this user manual mean:

WARNING

Hazards or unsafe practices that may result in severe personal injury, death and/or property damage.

CAUTION

Hazards or unsafe practices that may result in personal injury and/or property damage.

NOTE

Indicates that a risk of personal injury or material damage exists.

These warning signs are here to prevent injury to yourself and others.

Please follow them explicitly.

After reading this manual, store it in a safe place for future reference.

Read all instructions before using the appliance.

As with any equipment that uses electricity and moving parts, potential hazards exist. To safely operate this appliance, familiarize yourself with its operation and exercise care when using it.

SAVE THESE INSTRUCTIONS

 **WARNING - Risk of Fire**

- Clothes dryer installation must be performed by a qualified installer.
- Install the clothes dryer according to the manufacturer's instructions and local codes.
- Do not install a clothes dryer with flexible plastic venting materials. If flexible metal (foil type) duct is installed, it must be of a specific type identified by the appliance manufacturer as suitable for use with clothes dryers. Flexible venting materials are known to collapse, be easily crushed, and trap lint. These conditions will obstruct clothes dryer airflow and increase the risk of fire.
- Do not install a booster fan in the exhaust duct.

Note: The booster fan warning does not apply to clothes dryers intended to be installed in a multiple clothes dryer system, with an engineered exhaust duct system that is installed per the clothes dryer manufacturer's guidelines.

- To reduce the risk of severe injury or death, follow all installation instructions.
- Save these instructions.

 **WARNING - To reduce the risk of fire or explosion:**

- Do not dry items that have been previously cleaned, washed, soaked, or spotted with gasoline, dry cleaning solvents, or other flammable or explosive substances. They emit vapors that could ignite or explode. Any material that has been in contact with a cleaning solvent or flammable liquids or solids should not be placed in the dryer until all traces of these flammable liquids or solids and their fumes have been removed. There are many highly flammable items used in homes, such as acetone, denatured alcohol, gasoline, kerosene, some liquid household cleaners, some spot removers, turpentine, waxes, and wax removers.
- Do not dry items containing foam rubber (may be labeled latex foam) or similarly textured rubber-like materials on a heat setting. Heated foam rubber materials can, under certain circumstances, ignite spontaneously.

SAVE THESE INSTRUCTIONS

Safety information

WARNING - Fire or explosion hazard:

- Failure to follow safety warnings exactly could result in serious injury, death or property damage.
- Do not store or use gasoline or other flammable vapors and liquids near this or any other appliance.
- Installation and service must be performed by a qualified installer, service agency, or the gas supplier.
- Do not install a booster fan in the exhaust duct.

Note: The booster fan warning does not apply to clothes dryers intended to be installed in a multiple clothes dryer system, with an engineered exhaust duct system that is installed per the clothes dryer manufacturer's guidelines.

CALIFORNIA PROPOSITION 65 WARNING

WARNING

Cancer and Reproductive Harm - www.P65Warnings.ca.gov.

Important safety precautions

WARNING

To reduce the risk of fire, electric shock, or injury to persons when using your appliance, follow basic precautions, including the following:

1. Read all instructions before using this appliance.
2. Do not dry articles that have been previously cleaned in, washed in, soaked in, or spotted with gasoline, dry-cleaning solvents, or other flammable or explosive substances, as they give off vapors that could ignite or explode.
3. Do not use the dryer to dry clothes which have traces of any flammable substance, such as vegetable oil, cooking oil, machine oil, flammable chemicals, paint thinner, etc., or anything containing wax or chemicals, such as mops and cleaning cloths. Flammable substances may cause the fabric to catch fire by itself.
4. Do not store or use gasoline or other flammable vapors and liquids near this or any other appliance.

SAVE THESE INSTRUCTIONS

5. Do not allow children to play on or in the appliance. Close supervision of children is necessary when the appliance is used near children.
6. Before the appliance is removed from service or discarded, remove the door to the drying compartment.
7. Do not reach into the appliance if the drum is moving.
8. Do not install or store this appliance where it will be exposed to the weather.
9. Do not tamper with internal controls.
10. Do not repair or replace any part of the appliance or attempt any service unless specifically recommended in the user-maintenance instructions or in published user-repair instructions that you understand and have the skills to carry out.
11. Do not use fabric softeners or products to eliminate static unless recommended by the manufacturer of the fabric softener or product.
12. Clean the lint screen before or after each load.
13. Do not use heat to dry articles containing foam rubber or similarly textured rubber-like materials.
14. Keep area around the exhaust opening and adjacent surrounding areas free from the accumulation of lint, dust, and dirt.
15. The interior of the appliance and exhaust duct should be cleaned periodically by qualified service personnel.
16. Do not place items exposed to cooking oils in your dryer. Items contaminated with cooking oils may contribute to a chemical reaction that could cause a load to catch fire. To reduce the risk of fire due to contaminated loads, the final part of a tumble dryer cycle occurs without heat (cool down period). Avoid stopping a tumble dryer before the end of the drying cycle unless all items are quickly removed and spread out so that the heat is dissipated.
17. This appliance must be grounded. See “**Electrical requirements**” and “**Grounding**” in “**Installation**” section.
18. Do not allow children to play on or in the appliance. Close supervision of children is necessary when the appliance is used near children.
19. Do not insert your hand under the dryer.
 - This may result in injury.
20. Take care that children’s fingers are not caught in the door when closing it.
 - This may result in injury.
21. The Control board and inlet valve are intentionally not grounded and may present a risk of electric shock only during servicing.
 - Do not contact these parts while the appliance is energized.

SAVE THESE INSTRUCTIONS

Safety information

Warnings

WARNING

- Ensure pockets are free of small, irregularly shaped hard objects and foreign material, i.e. coins, knives, pins, etc. These objects could damage your dryer.

Cautions

CAUTION

- Do not allow children or pets to play on, in, or in front of the appliance. Close supervision is necessary when the appliance is used near children and pets.
- Before discarding or removing your dryer from service, remove the door to the drying compartment to prevent children or animals from becoming trapped inside.
- Do not reach into the appliance when the drum is moving.
- Do not install or store this appliance where it will be exposed to the weather.
- Do not tamper with the controls.
- Do not repair, replace, or attempt to service any part of the appliance unless specifically instructed to in the user-repair instructions and you have the understanding and skills to carry out the procedure.
- Do not use fabric softeners or products to eliminate static unless the softener or product is recommended for dryer use by the manufacturer of the fabric softener or product.
- Clean the lint screen before or after each load.
- Keep the area around the exhaust opening and surrounding areas free from lint, dust, and dirt.
- The interior of the dryer and exhaust duct should be cleaned periodically by qualified service personnel.
- This appliance must be properly grounded. Never plug the power cord into a receptacle that is not grounded adequately or not in accordance with local and national codes. See the installation instructions for information about grounding this appliance.
- Do not sit on top of the dryer.
- Do not dry clothing with large buckles, buttons, or other heavy metal or solid objects.
- Install and use in accordance with the manufacturer's instructions.
- Do not place items in your dryer that have been spotted or soaked with vegetable oil or cooking oil. Even after being washed, these items may contain significant amounts of these oils.

SAVE THESE INSTRUCTIONS

-
- Residual oil on clothing can ignite spontaneously. The potential for spontaneous combustion increases when items containing vegetable oil or cooking oil are exposed to heat. Heat sources such as your dryer can warm these items, allowing an oxidation reaction in the oil to occur. Oxidation creates heat. If this heat cannot escape, the items can become hot enough to catch fire. Piling, stacking, or storing these kinds of items may prevent heat from escaping and can create a fire hazard.
 - All washed and unwashed fabrics that contain vegetable oil or cooking oil can be dangerous.
Washing these items in hot water with extra detergent will reduce, but not eliminate, the hazard. Always use the Cool Down cycle for these items to reduce their temperature. Never remove these items from the dryer hot or interrupt the drying cycle until the items have run through the Cool Down cycle. Never pile or stack these items when they are hot.

SAVE THESE INSTRUCTIONS

Before installation

Read through the following instructions before installing the dryer, and keep this manual for future reference.

WARNING

Certain internal parts are intentionally not grounded and may present a risk of electric shock only during servicing.

Service Personnel - Do not contact the following parts while the appliance is energized:
Control board and inlet valve.

Key installation requirements

- A grounded electrical outlet.
- A power cord for electric dryers (except in Canada).
- An exhaust system made of rigid metal or flexible stiff-walled metal exhaust ducting.

WARNING

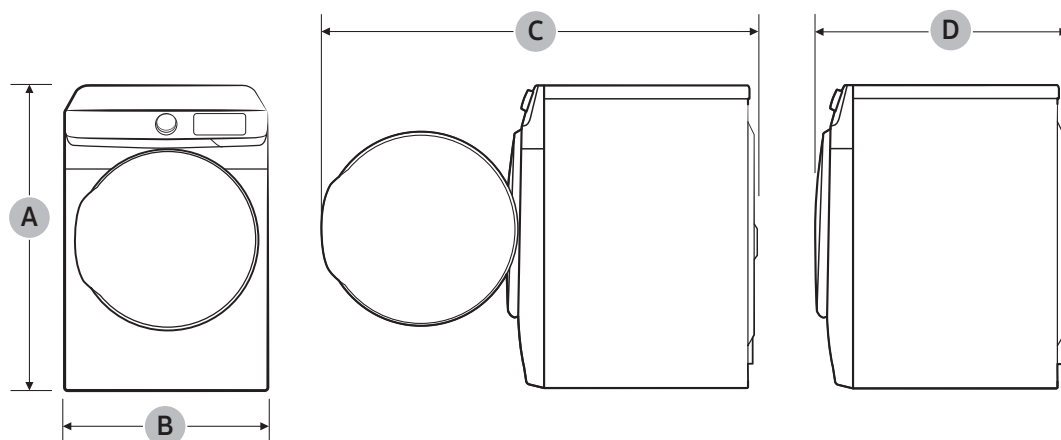
Remove the door from all discarded appliances to prevent a child from suffocating.

Location considerations

The dryer should be located where there is enough space at the front for loading the dryer, and enough space behind for the exhaust system. This dryer is factory-ready for the rear exhaust option. To exhaust out the bottom, right or the left, use the accessory exhaust kit. Instructions are included with the kit. Make sure the room in which the dryer is located has enough fresh air. The dryer must be located where there are no air-flow obstructions. For gas dryers, adequate clearance must be maintained as noted on the data plate to ensure adequate air for combustion and the proper dryer operation.

The dryer must not be installed or stored in an area where it will be exposed to water and/or weather. The dryer area must be kept clear of combustible materials, gasoline, and other flammable vapors and liquids. A dryer produces combustible lint. The area around the dryer should be kept lint-free.

Dimensions



Type		Front loading dryer
Models		DV25B6800E*
Dimensions (in. (mm))	A. Overall height	33.5 (850)
	B. Width	23.6 (600)
	C. Depth with door open	43.3 (1101)
	D. Depth	25.8 (655)

Before installation

Clearance requirement

This clearance requirement is applicable for dryers only.

NOTE

- For washer's clearance requirement, see the washer's user manual.
- If the washer and dryer have different clearance requirements, use the one with the larger value.

Alcove or closet installations

WARNING

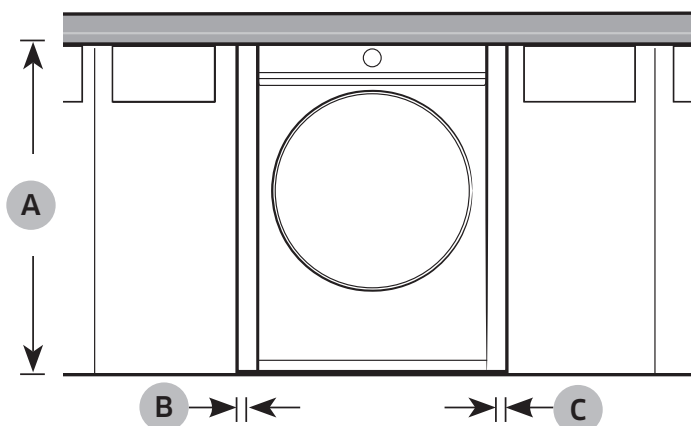
- The dryer must be exhausted to the outside to reduce the risk of fire when installed in an alcove or closet.
- No other fuel-burning appliance should be installed in the same closet as the dryer.
- Place the dryer at least 18 in. (460 mm) above the floor for garage installation.

Minimum clearance for stable operation:

Sides	Top	Rear	Front
1 in. (25 mm)	1 in. (25 mm)	3 in. (76 mm)	1 in. (25 mm)

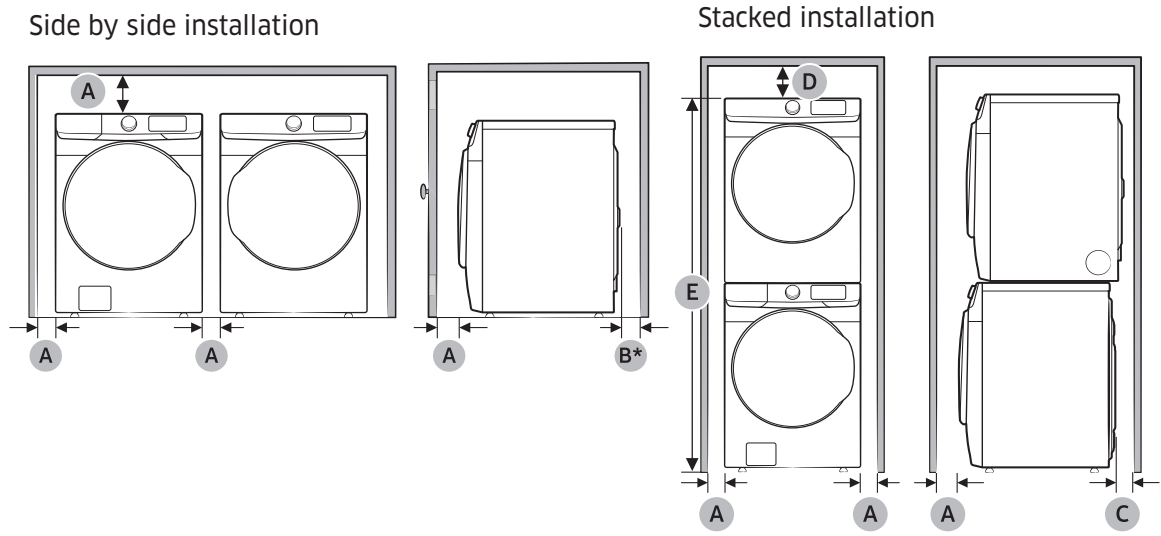
If both the washer and a dryer are installed in the same location, the front of the alcove or closet must have two unobstructed air openings for a combined minimum total area of 72 in.² (465 cm²).

Undercounter installation



A	34.4 in. (875 mm)
B	1 in. (25 mm)
C	1 in. (25 mm)

This clearance requirement is applicable for washer and dryer pair installation.



A	1 in. (25 mm)
B*	3 in. (76 mm)
C	2 in. (50 mm)
D	6 in. (152 mm)
E	67 in. (1702 mm)

(B*): This clearance requirement only applies to the dryer. For washer's clearance requirement, see the washer's user manual.
 Minimum space **(B*)** of 3" is required for best dryer performance. In case of insufficient space for duct installation, properly sized vent kit is needed.

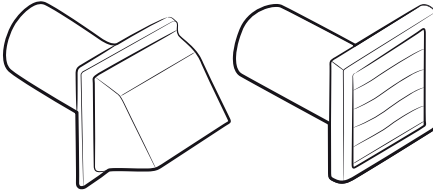
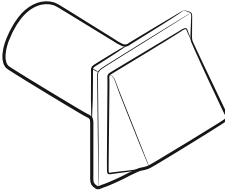
NOTE

Stacking (SK-DH)

Many of Samsung's washers and dryers can be stacked to maximize usable space. You can purchase an optional stacking kit from your Samsung retailer. For details about stacking and compatible models, refer to the user manual included in the stacking kit you purchase.

Before installation

Ducting requirements

	Recommended	Use only for short-run installation
Weather hood type	 4" (10.2 cm)	 2.5" (6.4 cm)
No. of 90° elbows	Rigid	Rigid
0	80 ft. (24.2 m)	60 ft. (28.3 m)
1	60 ft. (28.3 m)	45 ft. (13.7 m)
2	45 ft. (13.7 m)	35 ft. (10.7 m)
3	35 ft. (10.7 m)	25 ft. (7.6 m)

NOTE

* Use a 4-inch (10.2 cm) diameter rigid aluminum or galvanized steel duct.

If you integrate the dryer's vent system with an existing exhaust system:

- Make sure the exhaust system meets all applicable local, state, and national regulations.
- Verify you are not using flexible plastic duct.
- Make sure to check for and remove all lint buildup from inside the existing ducts.
- Confirm the duct is not kinked or crushed.
- Make sure the exhaust hood damper opens and closes freely.

Manometer measurements

The static pressure in any exhaust system must not exceed 0.83 inches of water column or be less than 0. Note that these values are measured with the dryer running with a manometer presented to the exhaust duct that connects to the dryer. The dryer tumbler must be empty and lint filter clean.

Exhausting requirements

The dryer must not be exhausted into a chimney, a wall, a ceiling, an attic, a crawl space, or a concealed space of a building. Exhausting the dryer to the outside will prevent large amounts of lint and moisture from being blown into the room.

In the United States and Canada

- All dryers must be exhausted to the outside.
- The required exhaust duct is 4 inches (10.2 cm) in diameter.
- See “**Ducting requirements**” in the “**Installation**” section for the maximum duct length and number of bends that can be used.
- The total length of flexible metal duct must not exceed 7' 10½" (2.4 m).
- Do not assemble the duct with screws or other fasteners that extend into the duct and can catch lint.
- **For the United States only:** Use only those foil-type flexible ducts, if any, specifically identified for use with the appliance by the manufacturer and that comply with the Outline for Clothes Dryer Transition Duct. Use Subject 2158A.
- **For Canada only:** Use only those foil-type flexible ducts, if any, specifically identified for use with the appliance by the manufacturer.

Outside the United States and Canada

- Refer to the local codes.

WARNING

- You must exhaust the dryer to the outside to reduce the risk of fire when you install the dryer in an alcove or closet.
- Do not use a plastic or non-metal flexible duct.
- If your existing ductwork is plastic, non-metal, or combustible, replace it with metal.
- Use only a metal exhaust duct that is non-flammable to ensure containment of exhaust air, heat, and lint.

Before installation

Electrical requirements

The wiring diagram is located on the plate under the control panel or rear frame.

WARNING

- Improperly connecting the equipment grounding conductor can result in a risk of electric shock. Check with a qualified electrician or serviceman if you are in doubt as to whether your dryer is properly grounded. Do not modify the plug provided with your dryer – if it doesn't fit the outlet, have a proper outlet installed by a qualified electrician.
- To prevent unnecessary risk of fire, electrical shock, or personal injury, all wiring and grounding must be done in accordance with local codes, or in the absence of local codes, in accordance with the National Electrical Code, ANSI/NFPA No. 70-Latest Revision (for the U.S.) or the Canadian Electrical Code CSA C22.1 – Latest Revisions and local codes and ordinances. It is your responsibility to provide adequate electrical service for your dryer.

Grounding

This dryer must be grounded. In the event of a malfunction or breakdown, the ground will reduce the risk of electrical shock by providing a path of least resistance for the electrical current.

WARNING

- Your dryer has an optional cord with an equipment-grounding conductor and a grounding plug. This cord is sold separately.

- The plug must be plugged into an appropriate outlet that is properly installed and grounded in accordance with all local codes and ordinances.
- Do not modify the plug provided with your dryer – if it doesn't fit the outlet, have a proper outlet installed by a qualified electrician.
- If a power cord is not used and the electric dryer is to be permanently wired, the dryer must be connected to a permanently grounded metal wiring system, or an equipment grounding conductor must be run with the circuit conductors and connected to the equipment grounding terminal or lead on the dryer.

Electrical connections

Before operating or testing, follow all grounding instructions in the “**Grounding**” section. An individual branch (or separate) circuit serving only your dryer is recommended.

Do not use an extension cord.

U.S. only

Most U.S. dryers require a 120 / 240 volt, 60 Hz AC approved electrical service. Some require 120 / 208 volt, 60 Hz approved electrical service. The electric service requirements can be found on the data label located behind the door. A 30-ampere fuse or circuit breaker on both sides of the line is required.

- If a power cord is used, the cord should be plugged into a 30-ampere receptacle.
- The power cord is not provided with U.S. electric model dryers. This cord is sold separately.

WARNING

Risk of Electric Shock

When local codes allow, you can connect the dryer's electrical supply with a new power supply cord kit, marked for use with a dryer, that is U.L. listed and rated at a minimum of 120/240 volts, 30-amperes with three No. 10 copper wire conductors terminated with closed loop terminals, open-end spade lugs with turned up ends, or with tinned leads.

- Do not reuse a power supply cord from an old dryer. The power cord electric supply wiring must be supported at the dryer cabinet by a suitable UL-listed strain relief.
- Grounding through the neutral conductor is prohibited for (1) new branch-circuit installations, (2) mobile homes, (3) recreational vehicles, and (4) areas where local codes prohibit grounding through the neutral conductor. (Use a 4-prong plug for a 4 wire receptacle, NEMA type 14-30R.)

Canada Only

A 120 / 240 volt, 60 Hz AC approved electrical service fused through a 30-ampere fuse or circuit breaker on both sides of the line is required.

NOTE

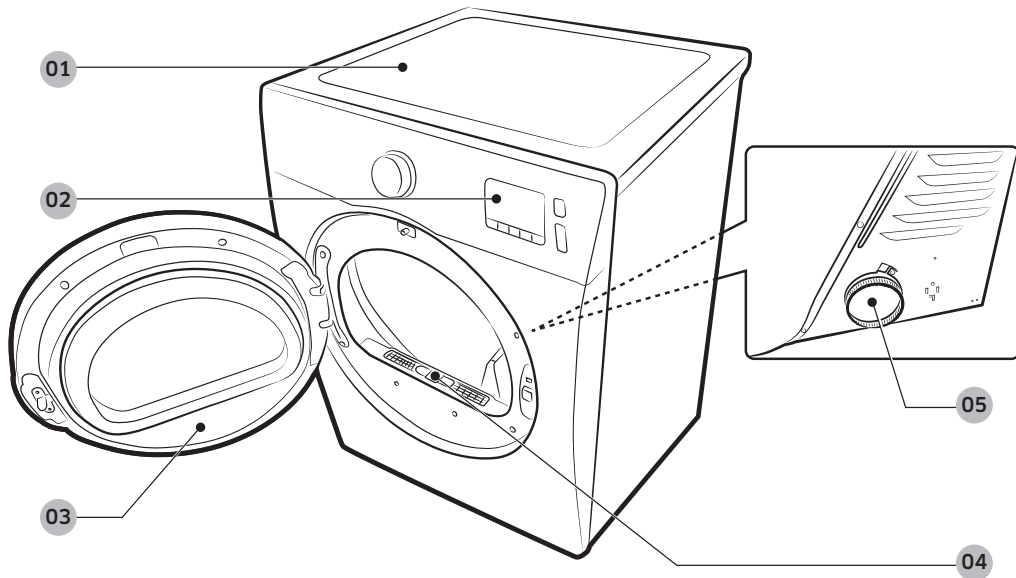
- All Canadian models are shipped with the power cord attached. The power cord should be plugged into a 30-ampere receptacle.
- In Canada, you may convert a dryer to 120 / 208 volt.

Installation

This dryer must be installed by a qualified technician. The installer is responsible for connecting the dryer to the main power while observing the relevant safety regulations of your area.

What's included

Make sure all the parts are included in the product package. If you have a problem with the dryer or the accessories, contact a local Samsung service center or the retailer.



Dryer at a glance

01 Top cover

02 Feature panel

03 Door

04 Filter

05 Exhaust duct

Accessories & tools

Provided accessories



Stacking Kit
(Canadian models only)

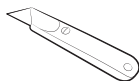


Cover Plate

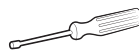
Required tools



Pliers



Cutting knife



Nut driver



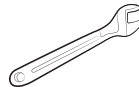
Level



Philips screwdriver



Duct tape



Wrench

WARNING

Packing materials can be dangerous to children. Keep all packing materials (plastic bags, polystyrene, etc.) out of children's reach.

Installation

Step-by-step installation

Make sure you have a qualified technician install the dryer. Step by step installation instructions start below.

STEP 1 Install the exhaust system

1. Select a location and move the dryer to the site. For easy access, we recommend you install the dryer in the same location as your washer.
2. To change the door direction, see “Switching the door position”.
3. Install the exhaust system as instructed in the “Exhaust ducting guide” section.

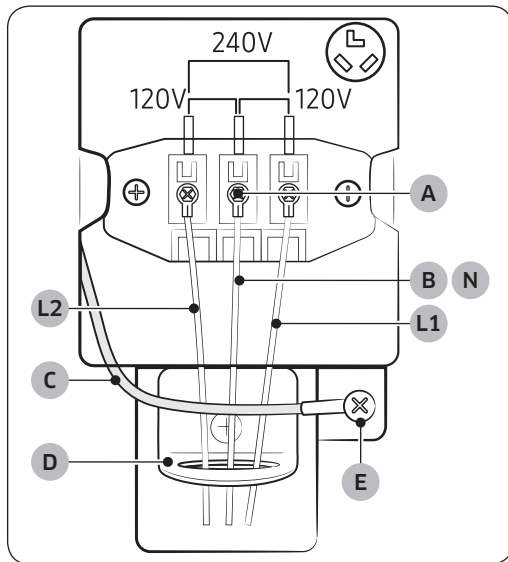
NOTE

- To move the dryer easily, lay two of the carton cushions from the packaging on the floor. Tip the dryer on its side so it lies across both cushion-tops. Push the dryer so that it is near its final location, and then set the dryer upright.
- Secure room around the dryer to facilitate ducting and wiring.

STEP 2 Connect the electrical wiring

First, read through the “Electrical requirements” section, and then follow the instructions on this page or the next page. Instructions for a 3-wire system are on this page. Instructions for a 4-wire system are on the next page.

For a 3-wire system



- A. Center silver-colored terminal block screw
- B. Neutral wire (white or center wire)
- C. Neutral grounding wire (white or green/yellow)
- D. $\frac{3}{4}$ " (1.9 cm) UL-listed strain relief
- E. External ground connector

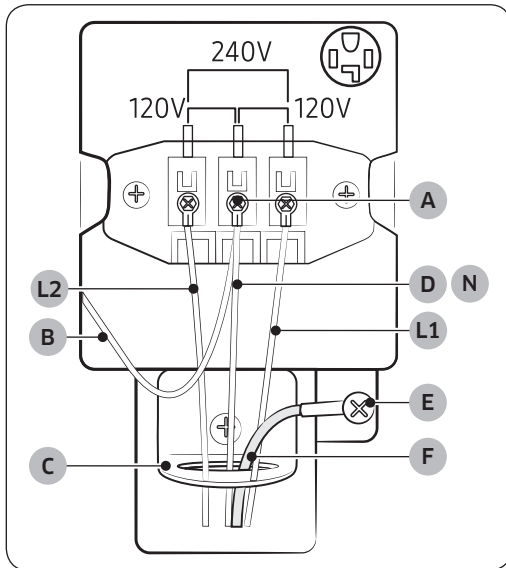
1. Loosen or remove the screws from the center terminal block.
2. Connect the neutral wire (white or center wire) of the power cable to the center, silver-colored terminal screw of the terminal block. Tighten the screws.
3. Connect the other wires to outer terminal block screws. Tighten the screws.
4. Tighten the strain relief screws.
5. Insert the terminal block cover into the rear panel of the dryer. Then, secure the cover with a hold-down screw.

⚠ CAUTION

- To convert from the 4-wire system to 3-wire system, connect the ground strap to the terminal block support to ground the dryer frame to the neutral conductor.
- Ring-type terminals are recommended. If using strap terminals, make sure they are tightened.
- Connect the power cord and check L1/L2/N voltage. If the voltage is low, it may not heat properly.

Installation

For a 4-wire system



- A. Center silver-colored terminal block screw
- B. Neutral grounding wire (white or green/yellow)
- C. 3/4" (1.9 cm) UL-listed strain relief
- D. Neutral wire (white or center wire)
- E. External ground connector
- F. Green or bare copper wire of power cord

⚠ CAUTION

Connect the power cord and check L1/L2/N voltage. If the voltage is low, it may not heat properly.

⚠ WARNING

- All U.S. models are designed for a 3-wire system connection. The dryer frame is grounded to the neutral conductor at the terminal block. A 4-wire system connection is required for new or remodeled construction, mobile homes, or if local codes do not permit grounding through neutral. If you use the 4-wire system, you cannot ground the dryer frame to the neutral conductor at the terminal block.
- Remove the terminal block cover plate.

1. Remove the external ground connector's screw, and connect the ground wire (green or unwrapped) of the power cable to the screw.

⚠ CAUTION

- To connect the ground wire to the neutral position without through contact A (cabinet ground), contact a technician. This is not user serviceable.
- Ring-type terminals are recommended. If using strap terminals, make sure they are tightened.

2. Loosen or remove the screws from the center terminal block.
3. Connect the neutral wire (white or center wire) and ground wire (white) to the center, silver-colored terminal screw of the terminal block. Tighten the screw.
4. Connect the other wires to the outer terminal block screws. Tighten the screws.
5. Tighten the strain relief screws.
6. Insert the tab of the terminal block cover into the rear panel of the dryer. Then, secure the cover with a hold-down screw.

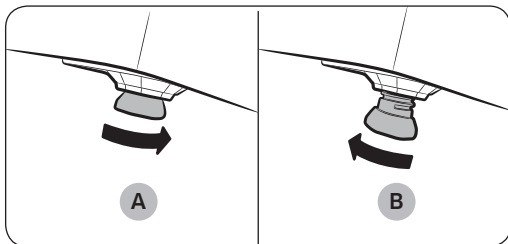
- Insert the power cord with a UL-listed strain relief through the hole provided in the cabinet near the terminal block.
- A strain relief must be used.
- Do not loosen the nuts already installed on the terminal block. Be sure they are tight.
- Use a 3/8" (1 cm) deep well socket.
- Since January 1, 1996, The national electric code requires that new wiring (not existing) utilize a 4-wire connection to this dryer.

STEP 3 Level the dryer

To ensure optimal performance, the dryer must be level.



1. Using a **level (A)**, check if the dryer is level side to side and then front to back. If the dryer is not level, adjust the **leveling feet (B)** at the bottom of the dryer. Then, check if the dryer is level again.



NOTE

- To set the dryer to the same height as your washer, fully **retract (A)** the leveling feet by turning them counterclockwise, then **loosen (B)** the feet by turning them clockwise. Once the dryer is the same height as the washer, follow the directions above to level the dryer.
- Adjust the leveling feet only as much as necessary to level the dryer. Extending the leveling feet more than necessary can cause the dryer to vibrate.

Installation

STEP 4 Final Check

When installation is complete, confirm that:

- The dryer is plugged into an electrical outlet and grounded properly.
- The exhaust ductwork is connected and the joints are taped.
- You have used rigid or stiff-walled flexible metal duct material, not plastic flexible duct.
- The dryer is level and is sitting firmly on the floor.
- The dryer starts, runs, heats, and shuts off properly.

Exhaust ducting guide

Ducting

1. Make sure the dryer is installed properly so the air exhausts freely.
2. Use 4-inch rigid metal ducts. Tape all joints including the dryer connection.
Never use lint-trapping screws.
3. To facilitate the exhaust, keep the ducts as straight as possible.

Cleaning

Clean all old ducts before installing the dryer, and make sure the vent flap opens and closes freely. We recommend that you to clean the exhaust system annually or on a regular basis.

WARNING

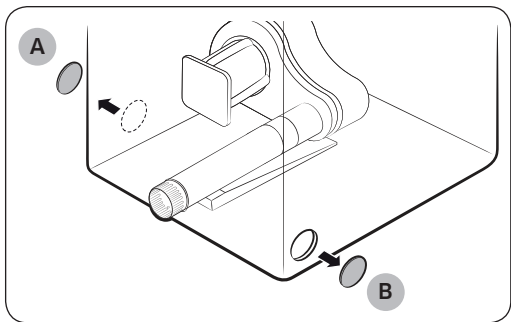
- To prevent fire, do not use plastic, thin-foil, or non-metal flexible ducts of any kind.
- Do not use a poor exhaust system because it slows down the dryer's performance.
- Do not use excessively long ducts that have multiple elbows.
- Do not use crushed or clogged venting or ducts.

Changing the direction of the exhaust duct (optional)

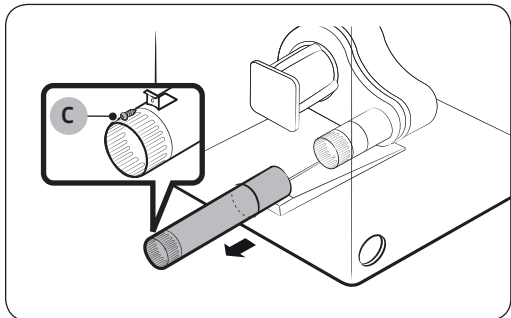
WARNING

Before performing this exhaust installation, disconnect the dryer from its electrical supply. Wear gloves to protect your hands and arms from sharp edges when working inside the cabinet.

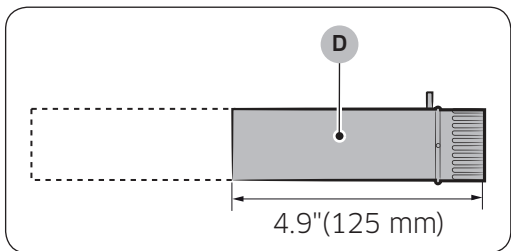
Side venting



1. Detach the **right (A)** or **left (B)** side knockout as desired.

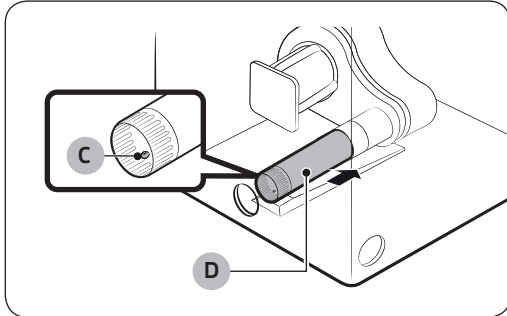


2. Pull the duct out of the dryer, and then remove the **screw (C)** from the duct. Set **screw (C)** aside. You will need it in a later step.

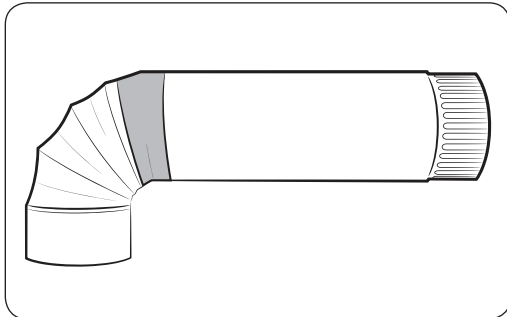


3. Cut the duct as shown and keep the **cut portion of the duct (D)**.

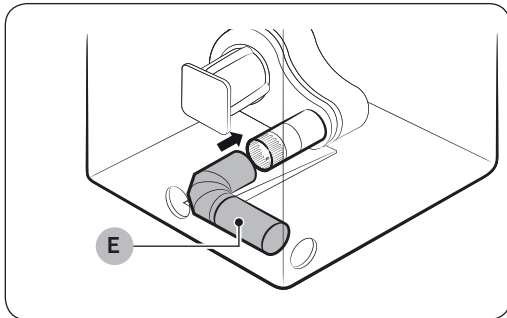
Installation



4. Reconnect the **cut portion of the duct (D)**, and then fasten it to the ramp on the appliance base with the **screw (C)** which you set aside in Step 2.



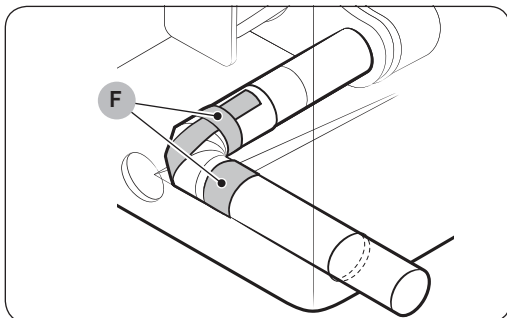
5. Connect a duct to an elbow, and then tape the duct and the elbow together with duct tape.



6. Insert the **duct with elbow (E)** through the rear opening, and then connect it to the internal duct.

⚠ CAUTION

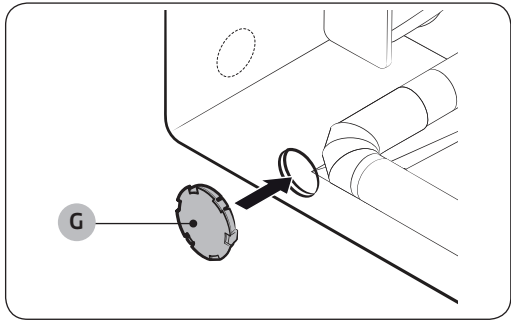
Wire components in the dryer may interfere slightly with the duct. Do not pull or damage the electrical wires inside the dryer when inserting the duct.



7. Apply **duct tape (F)** on all joints as shown.

⚠ CAUTION

All joints must be secured with duct tape, otherwise, they may separate and cause a safety hazard.

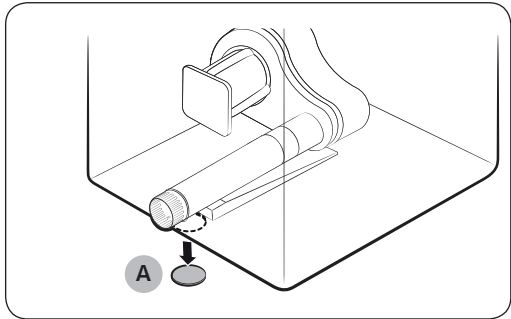


- 8. Cover the back opening with a cover plate (G).

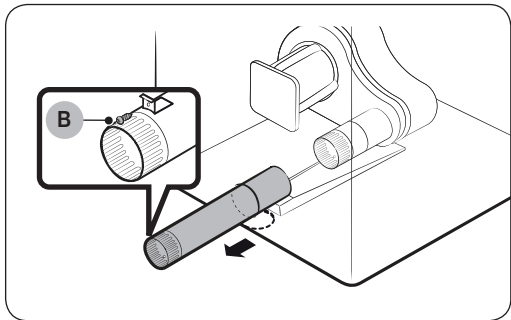
⚠ WARNING

Never leave the back opening uncovered. It must be covered with a cover plate.

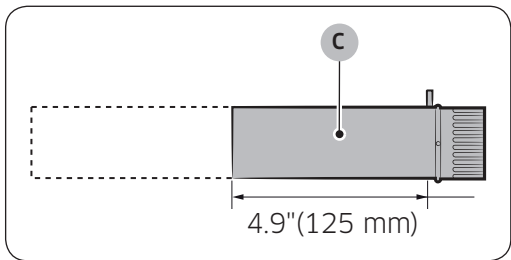
Bottom venting



- 1. Detach the bottom knockout (A).

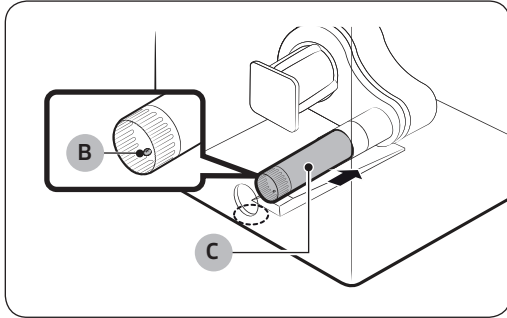


- 2. Pull the duct out of the dryer, and then remove the screw (B) from the duct. Set screw (B) aside. You will need it in a later step.

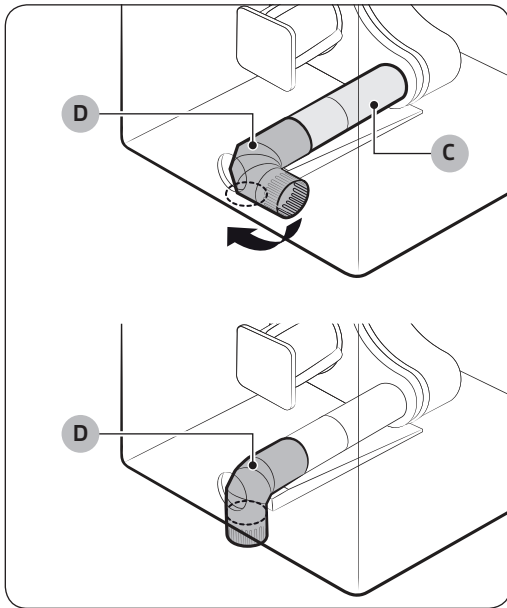


- 3. Cut the duct as shown and keep the cut portion of the duct (C).

Installation



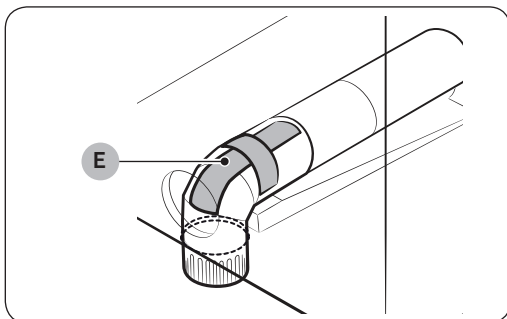
4. Reconnect the **cut portion of the duct (C)**, and then fasten it to the ramp on the appliance base with the **screw (B)** which you set aside in Step 2.



5. Insert the **elbow (D)** through the rear hole and connect it to the **duct (C)**.
6. Rotate the **elbow (D)** through the bottom opening.

⚠ CAUTION

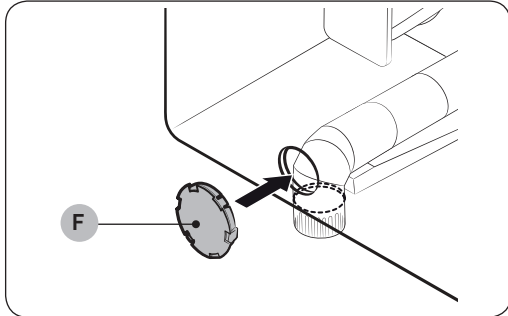
Do not pull or damage the electrical wires inside the dryer when inserting the duct.



7. Apply **duct tape (E)** on the joint as shown.

⚠ CAUTION

All joints must be secured with duct tape, otherwise, they may separate and cause a safety hazard.



8. Cover the back opening with a **cover plate (F)**.

⚠ WARNING

Never leave the back opening uncovered. It must be covered with a cover plate.

Vent blockage test

After the dryer is installed, start the Vent Blockage Test to check if the duct system is properly installed. The Vent Blockage Test automatically detects the status of the ducts and reports any blockage or problems. Proper ducting can reduce drying time and save energy.

📄 NOTE

The Vent Blockage Test must run when the dryer is cool. If the dryer warms up after the installation check, run the **AIR FLUFF** cycle for several minutes to reduce its internal temperature.

Installation

Running the vent blockage test

1. Make sure the drum is empty, and then close the door. (If there are any clothes or other items in the drum, the test will not give accurate results.)
2. Press the **Power** button to turn the dryer on, then simultaneously press and hold the **Adjust Time** and **Dryness** buttons for 3 seconds. “InS” appears in the dryer’s display. (If you have started other procedures before the Vent Blockage Test, the dryer will not enter the Vent Blockage Test mode.)
3. Press the **Start/Pause (Hold to Start)** button. The Vent Blockage Test starts immediately. During the test, the number indicator makes a circle in 6 clockwise steps. The test takes about 2 minutes. Do not open the door during the test.
4. After 2 minutes, when the test is complete, the results are displayed and the dryer sounds a tone. If status of the duct system is normal, “0” appears and the dryer sounds a completion tone. If the duct system cannot exhaust properly, the check code appears, and the dryer sounds an alarm tone. For description about the code, see the “**Installation check codes**” section on page 31.

If there are any other problems, an information code appears in the display. For description about the code, see the “**Information codes**” section on page 49.

- To stop or cancel the Vent Blockage Test, press the **Power** button to turn off your dryer.
- The results remain on the display for about 5 minutes and then automatically turn off. You can turn the results off immediately by pressing the **Power** button.

NOTE

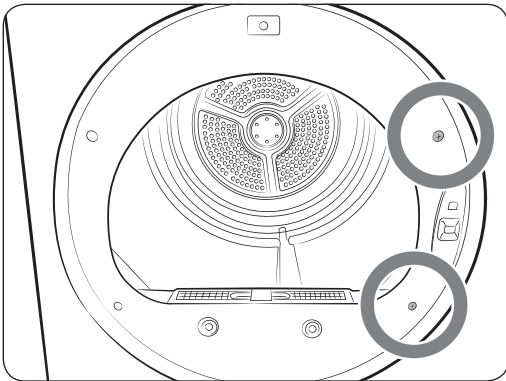
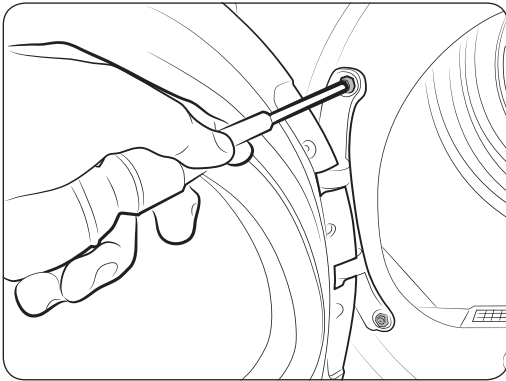
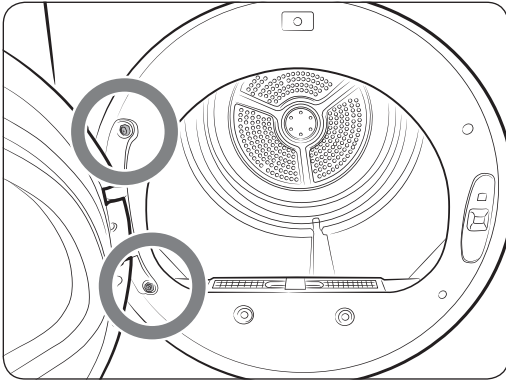
- During or after the test, the internal drum is hot. Use caution to prevent burns. The Vent Blockage Test is used to check for problems in the current duct system when the dryer is installed for the first time.
- If the test result displays check code (the duct system is blocked), refer to the “**Ducting requirements**” section on page 14 and the “**Exhaust ducting guide**” section below, and then take proper measures to correct any problems. If the test is suspended, it could result in incorrect results. Follow the proper procedures when testing the dryer.
- Even if the test result is normal (“0”), the duct system could be blocked slightly. Properly install all duct work according to the installation instructions in this manual.

Installation check codes

Check code	Meaning	Solution
0	Vent condition is good.	
C80 (C8)	About 80 % of the vent is clogged. (This may decrease the drying performance.)	<ol style="list-style-type: none"> 1. Clean the lint filter. 2. Check your vent condition. (Refer to the “Ducting requirements” section) * You must take measures (such as cleaning) through expert personnel.
C90 (C9)	Over 90 % of the vent is clogged. (This may lead to poor drying performance or cause malfunction)	
Ct	The internal temperature of the dryer is too low (below 32 °F (0 °C)) or too high (over 104 °F (40 °C)) and therefore vent blockage cannot be detected.	Leave the dryer at room temperature (41~95 °F (5~35 °C)) for an hour and check again.
tC	Temperature sensor error	Contact a service center.
C1	Unit is detecting items inside the drum or there is an error on the dry sensor.	Remove items from the drum and check again. If the problem continues, contact a service center.
dC	Unit is detecting door is open	Close the door properly and check again. If the problem continues, contact a service center.
9C1	Abnormal voltage detected	Check the power connection. (Refer to the “ Connect the electrical wiring ” section) If the problem continues, contact a service center.
HC	Detection of abnormal temperature in drum.	Check the power connection. Check the vent condition if the problem continue, contact a service center.

Installation

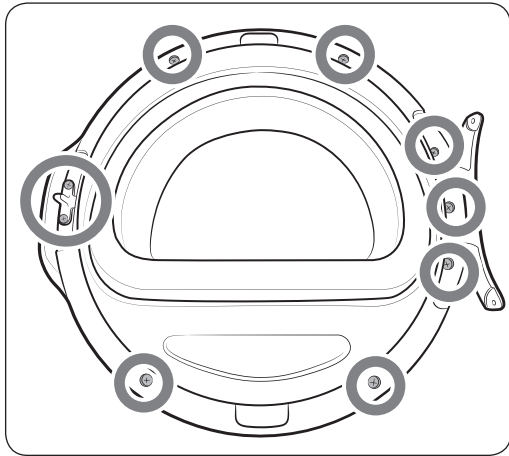
Switching the door position



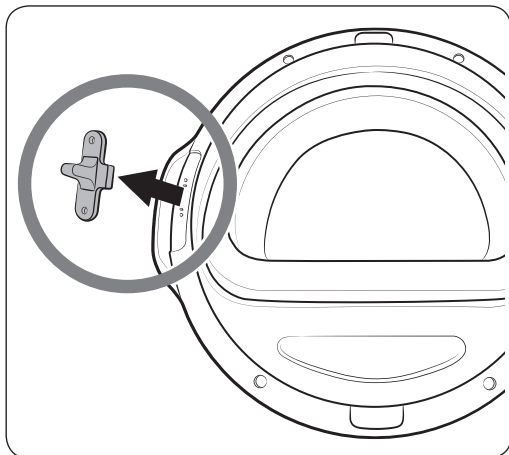
To reverse the direction of the door, we recommend that you contact a qualified technician.

1. Unplug the power cord of the dryer.
2. Remove the two hinge screws from the door, and then remove the door by lifting it up slightly.

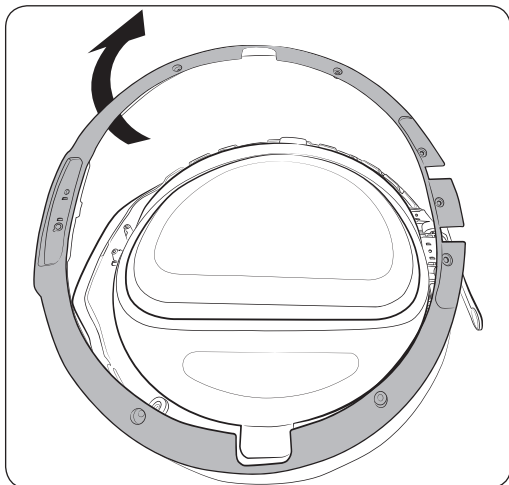
3. Remove the two screws on the opposite side of the door hinge.



4. Locate and remove the 9 screws from the door as shown.

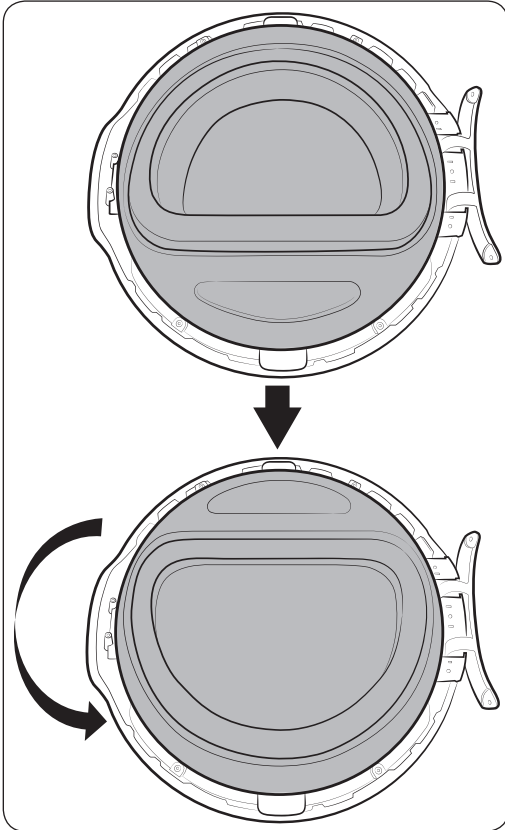


5. Remove the door lever.

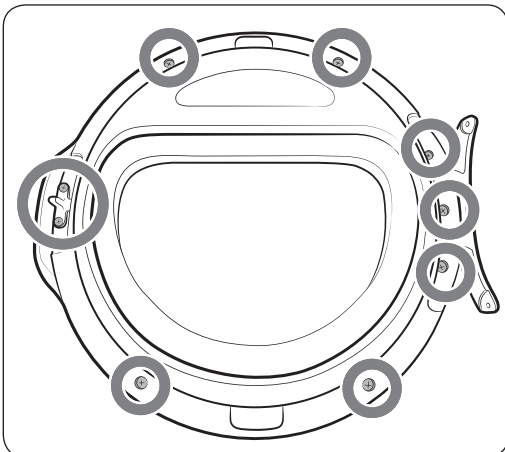


6. Remove the door frame.

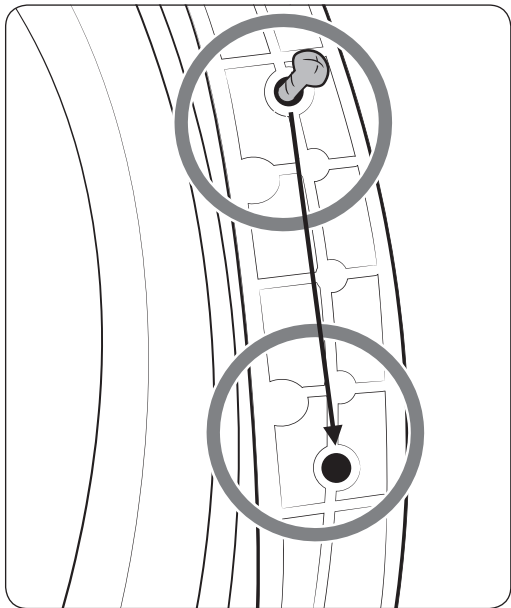
Installation



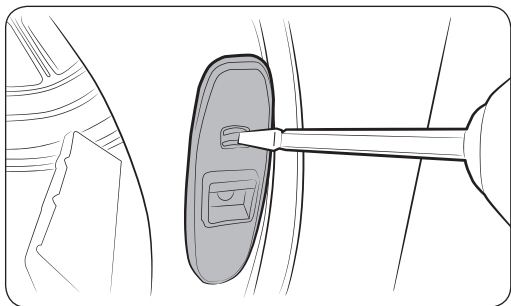
7. Rotate the door glass 180°.



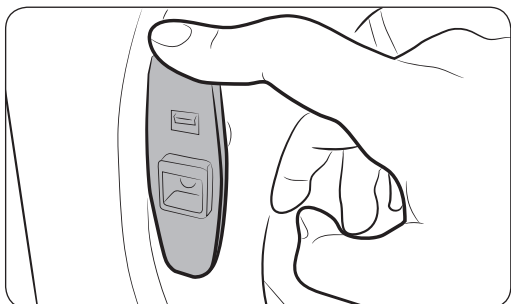
8. Reassemble the door frame and the door lever.



9. Move the location of the screw, used to fix the door hinge, as shown.

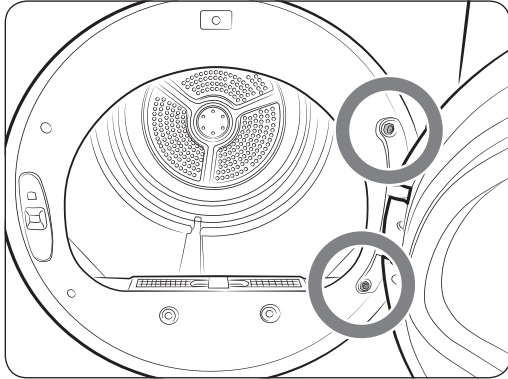


10. Remove the lever cover by pressing the hook on it.

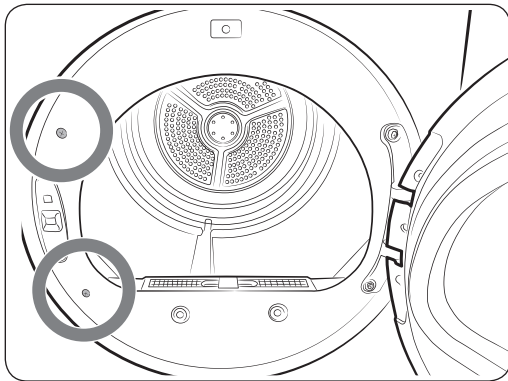


11. Put the lever holder on the other side as shown.

Installation



- 12.** Insert and tighten the two hinge screws.



- 13.** Insert and tighten the two screws on the opposite side of the door hinge.

Before you start

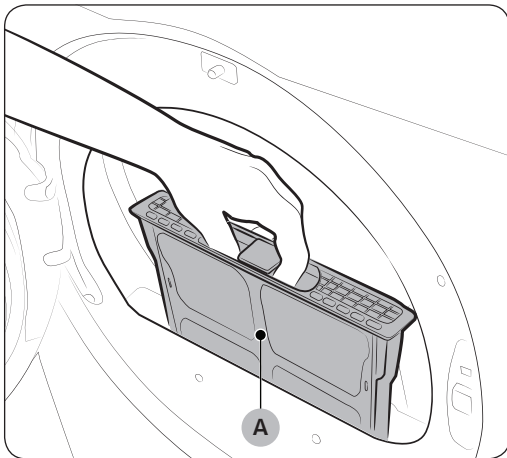
Here are a few things you should know before starting your dryer.

Sort and load

- Put one wash load in the dryer at a time.
- Do not mix heavy and lightweight items together.
- To improve drying efficiency for one or two items, add a dry towel to the load.
- For best results, untangle items before inserting them into the dryer.
- Overloading reduces the tumbling action, resulting in uneven drying and wrinkling.
- Unless recommended on the care label, do not dry woolens or fiberglass items.
- Avoid drying unwashed items.
- Do not dry items soiled with oil, alcohol, gasoline, etc.

Functional prerequisite

Lint filter



To prevent a risk of fire, make sure to clean the lint filter before or after every load.

1. Turn off the dryer.
2. Open the door, and pull out the **lint filter (A)** from inside the tumbler.
3. Remove the lint that has accumulated, and then clean the lint filter.
4. Reinsert the lint filter, and then close the door.

CAUTION

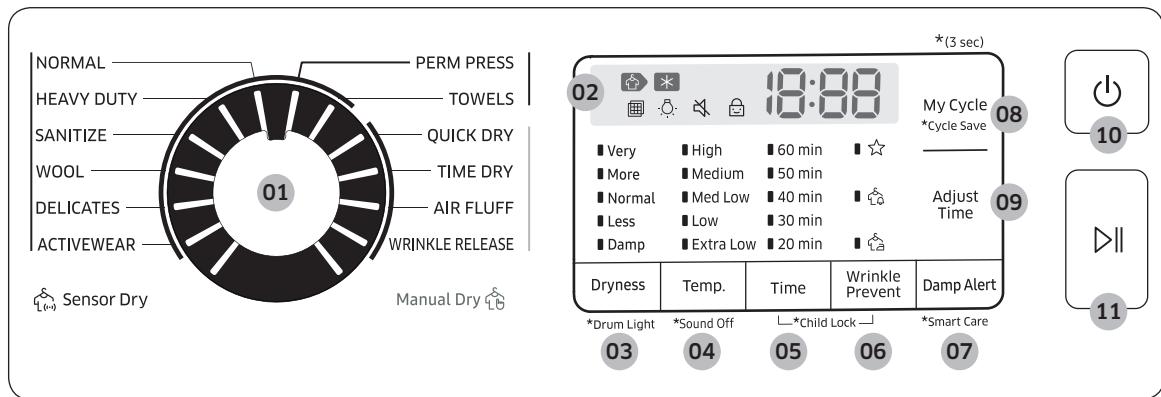
- Do not operate the dryer without the lint filter in place.
- Do not use a damaged or broken lint filter. This may reduce performance and/or cause fire.

Operations

⚠ WARNING

To reduce the risk of fire, electric shock, or injury to persons, read the “Safety information” before operating this appliance.

Feature panel



01 Cycle selector	Turn the cycle selector to select a desired cycle. When a cycle is selected, the cycle indicator lights up.
02 Digital graphic display	Displays all cycle information, including the cycle time, information code, operating status, and indicators.
03 Dryness	Press to adjust the dryness in the Sensor Dry cycles. The corresponding indicator turns on. <ul style="list-style-type: none"> • Larger or bulkier loads may require Very Dry or More Dry for complete dryness. • Less Dry is best suited for lightweight fabrics or for leaving some moisture in the clothing at the end of the cycle. • Damp Dry is designed to partially dry items. Use for items that lay flat or hang to dry. <p>NOTE This option is not available with SANITIZE, WOOL, and ACTIVEWEAR.</p>










04 Temp.	<p>Press to change the temperature of the current cycle.</p> <ul style="list-style-type: none"> • High: For sturdy cottons or those labeled Tumble Dry. • Medium: For permanent press, synthetics, lightweight cottons, or items labeled Tumble Dry Medium. • Med Low: For heat lower than Medium. Use to dry synthetic or washable knit fabrics. • Low: For heat sensitive items labeled Tumble Dry Low or Tumble Dry Warm. • Extra Low: Provides the lowest heated drying temperature possible.
05 Time	<p>Press to adjust the drying time for the Manual Dry cycles. This is not available with the Sensor Dry cycles because the dryer determines the drying time by sensing the current moisture level of the load.</p>
06 Wrinkle Prevent	<p>Wrinkle Prevent provides approximately 180 minutes of intermittent tumbling in unheated air at the end of the cycle to reduce wrinkling. Press Wrinkle Prevent to activate this feature. The load is dry and can be removed at any time during the Wrinkle Prevent cycle.</p>
07 Damp Alert	<p>The Damp Alert notifies you when the average dry level in a load is damp dry (80% dried). This lets you take items that you don't want fully dried or that dry quickly out of the dryer early while letting others continue to dry.</p> <p>You can select this option in all Sensor Dry cycles except for SANITIZE, WOOL, and ACTIVEWEAR. Available dry levels are Normal Dry, More Dry, and Very Dry.</p>
08 My Cycle	<p>Choose your favorite cycle including the cycle time, temperature, and dryness. See "My Cycle ☆" for details.</p>
09 Adjust Time	<p>You can change the set time in the Manual Dry cycles. To change the cycle time, press Adjust Time until the desired time is displayed.</p>
10 Power	<p>Press to turn on/turn off the dryer.</p>
11 Start/Pause	<p>Press to start or stop operation.</p>

 **NOTE**

Extremely tangled items finished by the washer may degrade the drying efficiency or cause the door to open. We recommend that you untangle the items before drying.

Operations

Indicators

	Drying		Child Lock
	Cooling		My Cycle
	Filter Check		Damp Alert
	Drum Light		Wrinkle Prevent
	Sound Off		

Simple steps to start

1. Press **Power** to turn on the dryer.
2. Turn the **Cycle Selector** to select a cycle.
3. Change the cycle settings (**Dryness**, **Temp.**, and **Time**) as necessary.
4. Optionally, you can activate options available by pressing the relevant button (**Adjust Time**, **Wrinkle Prevent** and/or **Damp Alert**).
5. Press **Start/Pause**. The dryer indicator turns on with an estimated cycle time on the display.

To change the cycle during operation

1. Press **Start/Pause** to stop operation.
2. Select a different cycle.
3. Press **Start/Pause** again to start the new cycle.

Cycle overview

Sensor Dry

Sensor Dry cycles sense moisture in the load and stop the dryer when the load reaches the dryness level you have selected with Dryness.

Cycle	Description
NORMAL	For most fabrics including cottons and linens.
HEAVY DUTY	For drying items made out of heavy fabrics, such as jeans, corduroys, or work clothes, with high temperature heat.
SANITIZE	Use to sanitize items by applying high-temperature heat to the fabric. This cycle can make items soft and reduce smells.
WOOL	For machine washable and tumble dryable wool only.
DELICATES	For heat-sensitive items at a low drying temperature.
ACTIVEWEAR	For exercise wear and outdoor wear such as sports jerseys, training pants, water-repellent jackets, and other performance clothing. Thick fabrics like a zipper or velcro closure of a jacket, or training socks may not be completely dried.
PERM PRESS	Dry wrinkle-free cottons, synthetic fabrics, knits, and permanent press fabrics automatically.
TOWELS	For bath towels and similar items

Manual Dry

You can change the drying settings manually to your preference.

Cycle	Description
QUICK DRY	A quick drying cycle running for 30 minutes
TIME DRY	You can specify a cycle time in minutes.
AIR FLUFF	Tumbles the load in room temperature air.
WRINKLE RELEASE	The Wrinkle Release cycle will release wrinkles from items that are clean, dry, and only slightly wrinkled, such as clothes from a crowded closet, suitcase or items that have been in the dryer too long after the cycle has ended. Wrinkle Release can be used with any temperature selection.

Operations

Cycle guide

The best way to dry items is to follow the instructions on the care label. If no drying instructions are provided, see the following table for reference.

Cycle	Description
Bedspreads & Comforters	Follow the care label instructions or dry using NORMAL. <ul style="list-style-type: none"> • Make sure the item is thoroughly dry before using or storing. • May require repositioning in the drum to ensure even drying.
Blankets	Use NORMAL and dry only one blanket at a time for best tumbling action. <ul style="list-style-type: none"> • Make sure blankets are is thoroughly dry before using or storing.
Curtains & Draperies	Use PERM PRESS and the Medium temperature setting to help minimize wrinkling. <ul style="list-style-type: none"> • Dry curtains and draperies in small loads for best results and remove as soon as possible after the cycle is complete.
Cloth Diapers	Use NORMAL and the High temperature setting for soft, fluffy diapers.
Down-filled Items (jackets, sleeping bags, comforters, etc.)	Use NORMAL and the Medium temperature setting. <ul style="list-style-type: none"> • Add a couple of dry towels to absorb moisture and shorten drying time.
Foam Rubber (rug backs, stuffed toys, shoulder pads, etc.)	Do not dry on a heat setting. Use AIR FLUFF. ⚠ WARNING Drying a rubber item with heat may damage it or cause a fire.
Pillows	Use NORMAL. <ul style="list-style-type: none"> • Add a couple of dry towels and a pair of clean sneakers to help the tumbling action and to fluff the pillows. • Do not dry kapok or foam pillows using a heated drying cycle. You can dry these items in the dryer only if you use AIR FLUFF.
Plastics (shower curtains, outdoor furniture covers, etc.)	Use AIR FLUFF or TIME DRY and the Low or Extra Low temperature settings depending on the care label instructions.

⚠ WARNING

Do not dry:

- Fiberglass items (curtains, draperies, etc.)
- Woolens, unless recommended on the label
- Items spotted or soaked with vegetable or cooking oils

Special features

Child Lock

Child Lock prevents children from playing with the dryer. When Child Lock is activated, all buttons except for the **Power** button are disabled.

To activate/deactivate Child Lock, simultaneously press and hold **Time** and **Wrinkle Prevent** for 3 seconds.

NOTE

Once Child Lock is activated, it will remain active even after you restart the dryer. If other buttons, except for the **Power** button, do not respond, check the Child Lock indicator. If the indicator is on, follow the instructions above to turn Child Lock off.

Drum Light

To turn on the drum light while the dryer is running, press and hold **Dryness** for 3 seconds.

NOTE

After 2 minutes of inactivity, the drum light automatically turns off.

Sound On/Off

To turn off the dryer's notification beeps and melodies, press and hold **Temp.** for 3 seconds.

To unmute the dryer, press and hold **Temp.** again for 3 seconds.

NOTE

This function remains active even after you restart the dryer.

My Cycle

You can create your own cycle that contains your preferred settings and use it at your convenience.

1. Turn the **Cycle Selector** to select a cycle. The cycle indicator turns on.
2. Set or change the settings (**Dryness**, **Temp.**, **Time**, etc) and/or options as necessary. Each corresponding indicator blinks.
3. Press and hold **My Cycle** for 3 seconds. The dryer stores the selected cycle with its settings.

To use My Cycle, press **My Cycle**.

NOTE

Wrinkle Prevent is not available with My Cycle.

Smart Care

If the dryer displays an information code, you can use Smart Care to check the status of the dryer on a smartphone. To use Smart Care, you must have the Samsung Smart Care app installed on your smartphone.

NOTE

Smart Care is optimized for Samsung Galaxy and Apple iPhones. (Not compatible with some models).

Download the Samsung Smart Washer app from the Google Play Store or Apple App store (Search term: "**Samsung Smart Washer/Dryer**"), and install it on your smartphone.

Operations

If an information code appears on the dryer, follow these steps:

1. Press and hold **Damp Alert** for 3 seconds to activate Smart Care.
2. Open the Smart Care app on your smartphone.
3. Put the smartphone's camera close to the display of the dryer. The app automatically recognizes the information code, and displays suggestions on your smartphone.
4. If the smartphone fails to recognize the information code more than twice, type the information code manually into the Smart Care app.

CAUTION

- If light is reflected on the display of the dryer, the smartphone may not recognize the information code.
- If you hold the smartphone at an angle to the dryer's display, the smartphone may not recognize the information code. For best results, hold the smartphone so that the front of the panel and the smartphone are parallel or nearly parallel.
- After you use this function, the dryer will delete the record of the information code from its code log.

Maintenance

Keep the dryer clean to prevent decreased performance and to lengthen its life.

WARNING

Certain internal parts are intentionally not grounded and may present a risk of electric shock only during servicing.

Service Personnel - Do not contact the following parts while the appliance is energized:
Control board and inlet valve.

Cleaning

Feature panel

- Clean with a soft, damp cloth. Do not use abrasive substances.
- Do not spray liquid cleaning agents directly on the display of the dryer.
- Some laundry pre-treatment soil and stain removers may damage the feature panel.
- When using liquid cleaning agents, apply them to the cleaning cloth. Do not apply them directly to the dryer. Wipe up any spills or overspray immediately.

Tumbler

- Remove any stains from the tumbler with an all-purpose cleaner.
- Tumble old towels or rags to remove any remaining stains or cleaning substances. Stains may still be visible, but will not affect subsequent loads.

Stainless steel tumbler

To clean the stainless steel tumbler, use a damp cloth with a mild, non-abrasive cleaner suitable for easily marred surfaces. Remove cleaner residue and dry with a clean cloth.

Dryer exterior

- Clean with a soft, damp cloth. Do not use abrasive substances.
- Protect the surface from sharp objects.

- Do not place any heavy or sharp objects or a detergent container on the dryer. They can scratch or damage the top cover of the dryer.
- The dryer has a high-gloss finish on the entire surface. Be careful not to scratch or damage the surface.

Exhaust system

- Check and clean the exhaust system on a yearly or regular basis to maintain optimum performance.
- The external exhaust hood must be cleaned more frequently to ensure proper air flow.

Troubleshooting

Checkpoints

If the dryer operates abnormally, first check the list of problems in the table below and try the suggested actions.

Problem	Action
Dryer does not start.	<ul style="list-style-type: none"> • Make sure the dryer is plugged in. • Make sure the door is properly closed. • Check the fuse or reset the circuit breaker. • If you opened the door during a cycle, press ▶ again. • Clean the filter. • Make sure Child Lock is not activated.
The dryer does not warm up.	<ul style="list-style-type: none"> • Check your home's circuit breakers or fuses. • Some cycles do not require heat. Check the selected cycle again. • For a gas dryer, make sure the gas supply is on. • Clean the lint filter and exhaust duct. • The dryer may have moved into the cool-down phase of the cycle.
Items are not dried.	<p>Check all of the above. Additionally:</p> <ul style="list-style-type: none"> • Make sure the exhaust hood outside your home can open and close freely. • Check the exhaust system for lint buildup. Ducting should be inspected and cleaned annually. • Use a 4" rigid metal exhaust duct. • Do not overload. 1 wash load = 1 dryer load. • Dry heavy items and light weight items separately. • Large, bulky items, such as blankets or comforters, may require repositioning to ensure even drying. • Make sure that your washer is draining properly and extracting adequate water from the load. • The load may be too small to tumble properly. Add a few towels and restart the dryer. • The load may be too large to tumble properly. Remove some items and restart the dryer. • Clean the lint filter.

Problem	Action
The dryer is too loud.	<ul style="list-style-type: none"> • Look for coins, loose buttons, nails, and other objects and remove them immediately. • Check the lint filter. Remove any items stuck inside the lint filter. • Make sure the dryer is level and standing firmly on the floor. • The dryer may hum due to air moving through the drum and fan. This is normal. • It is normal to hear the dryer gas valve or heating element cycle on and off during the drying cycle.
Items are not dried evenly.	<ul style="list-style-type: none"> • Seams, pockets, and other parts of clothing are harder to dry than others. This is normal. • Sort heavy and light items separately.
There is a smell coming from the dryer.	<ul style="list-style-type: none"> • The smell of paint, varnish, cleaning agents, and other household items could have circulated in the air and entered the dryer. If you notice such a smell, ventilate completely before using the dryer. • If drying in an enclosed area, the dryer could cause the ambient temperature to rise. Accordingly, make sure to open a window and ventilate the area. • Do not attempt to dry wet items after leaving them in the washing machine or dryer for a long time.
The dryer turns off before the items are dry.	<ul style="list-style-type: none"> • The load is too small. Throw in few additional items like towels and try drying again.
The clothes have lint on them.	<ul style="list-style-type: none"> • Always make sure the lint filter is clean before putting items into the dryer. When drying items that generate a large amount of lint, you may need to clean the lint filter in the middle of a cycle. • Some fabrics (such as white towels) causes more lint and should be dried separately from fabrics that lint attaches easily (such as black linen pants). • Check the inside of the pockets to make sure they are empty before drying.
Items still wrinkled after Wrinkle Prevent (Wrinkle Away, Wrinkle Release).	<ul style="list-style-type: none"> • Small loads of 1 to 4 items work best. • Load fewer items. Load similar-type items. • Take out the items immediately after drying is complete.

Troubleshooting

Problem	Action
Water drips from the nozzle when the Steam cycles starts.	<ul style="list-style-type: none">• This is steam condensation. The dripping water will stop after a short time.
Sprayed water is not visible during Steam cycles.	<ul style="list-style-type: none">• Sprayed water is difficult to see when the door is closed.
Extended time.	<ul style="list-style-type: none">• Sensor Dry automatically senses the moisture in the load and shuts the dryer off when the selected dryness level is reached. The drying time can change according to the type and amount of laundry. See the cycle chart for reference.

If a problem persists, contact a local Samsung service center.

Information codes

If the dryer fails to operate, you may see an information code on the display panel. To determine what you should do, check the list of codes in the table below, and then try the suggested actions.

Code	Action
Door is open	Operating the dryer with the door open. <ul style="list-style-type: none"> • Make sure the door is properly closed. • Make sure laundry is not caught in the door.
FC	Invalid power source frequency <ul style="list-style-type: none"> • Try restarting the cycle. • If this information code remains, contact a Samsung service center.
AC	Electronic control problem (Invalid Communication). <ul style="list-style-type: none"> • Contact a Samsung service center.
HC	High temperature heating check. <ul style="list-style-type: none"> • Clean the lint filter. • If this information code remains, contact a Samsung service center.
9C1	The electronic control needs to be checked. <ul style="list-style-type: none"> • Check if power cord is connected properly. • Check if the electrical outlet is working properly. • If the information code remains, contact a Samsung service center.
tC	The Thermistor1 resistance is very low or high. <ul style="list-style-type: none"> • Check for a clogged lint screen. • Check if the vent system is restricted. • If this information code remains, contact a Samsung service center.
tC5	The Thermistor2 resistance is very low or high. <ul style="list-style-type: none"> • Check for a clogged lint screen. • Check if the vent system is restricted. • If this information code remains, contact a Samsung service center.
dF	Incorrect door switch. <ul style="list-style-type: none"> • Contact a Samsung service center.





If any information code keeps appearing on the screen, contact a Samsung service center.

Specifications

Fabric care chart

The following symbols provide garment care direction. The clothing care labels include symbols for drying, bleaching, ironing, and dry cleaning. The use of symbols ensures consistency among garment manufacturers of domestic and imported items. Follow care label directions to optimize garment life and reduce laundering problems.

Wash cycle

	Normal
	Permanent press/Wrinkle resistant/Wrinkle control
	Gentle/Delicates
	Hand wash




Water temperature

...	Hot
..	Warm
.	Cold


NOTE

The Water Temperature table lists appropriate wash water temperatures for various items. The temperature range is 106 - 126 °F (41 - 52 °C) for Hot, 84 - 106 °F (29 - 41 °C) for Warm, and 61 - 84 °F (16 - 29 °C) for Cold. (Wash water temperature must be a minimum of 61 °F (16 °C) for detergent activation and effective cleaning.)




Bleach

	Any bleach (when needed)
	Only non-chlorine (color-safe) bleach (when needed)
	Tumble dry






Normal

	Permanent press/Wrinkle resistant/Wrinkle control
	Gentle/Delicates



Special instructions

	Line dry/Hang to dry
	Drip dry
	Dry flat







Heat setting

	High
	Medium
	Low
	Any heat
	No heat / Air






Iron dry or steam temperatures

	High
	Medium
	Low

Warning symbols for laundering

	Do not wash
	Do not wring
	Do not bleach
	Do not tumble dry
	No steam (added to iron)
	Do not iron

Dry-clean

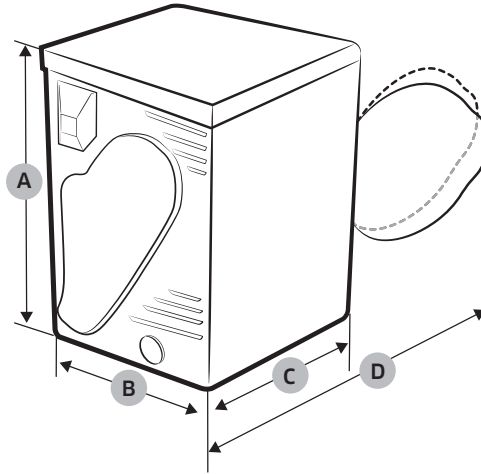
	Dry-clean
	Do not dry-clean
	Line dry / Hang to dry
	Drip dry
	Dry flat

Protecting the environment

This appliance is manufactured from recyclable materials. If you decide to dispose of this appliance, please observe local waste disposal regulations. Cut off the power cord so that the appliance cannot be connected to a power source. Remove the door so that animals and small children cannot get trapped inside the appliance.

Specifications

Specification sheet



Type		Front loading dryer
Dimensions (in. (mm))	A. Height	33.5 (850)
	B. Width	23.6 (600)
	C. Depth	25.8 (655)
	D. Depth with door open 90°	43.3 (1101)
Capacity (Cu.ft)		4.0
Weight	lb (kg)	88 (40)
Power consumption (W)		750

Cycle chart

NOTE

For best results, follow the load size recommendations for each dry cycle.

- Large load: Fill the drum to about $\frac{3}{4}$ full. Do not add items over this level as they need to tumble freely.
- ◐ Medium load : Fill the drum to about $\frac{1}{2}$ full.
- Small load : Fill the drum with 3-5 items, not more than $\frac{1}{4}$ full.

	Cycle	Recommended items	Load size	Dryness
Sensor Dry	NORMAL	Cottons, Work clothes, Linen, Mixed loads	●	Normal Dry (Adjustable)
	HEAVY DUTY	Heavy fabrics such as jean, Corduroys, Heavy work clothes	●	Normal Dry (Adjustable)
	SANITIZE	Bedding, Curtains, Children's clothing	◐	Very Dry (No Change)
	WOOL	For machine washable and tumble dryable wool only (Maximum amount : 3lb)	◐	Normal Dry (No change)
	DELICATES	Underwear, Blouses, Lingerie	◐	Normal Dry (Adjustable)
	ACTIVEWEAR	Water-repellent wear, performance clothes, Sports wear	◐	Normal Dry (No change)
	TOWELS	Bath towels and similar items	●	Normal Dry (Adjustable)
	PERM PRESS	Shirts, Synthetic fabrics, Knits, Wrinkle-free cottons, Permanent	◐	Normal Dry (Adjustable)
Manual Dry	QUICK DRY	Small loads	○	-
	TIME DRY	Any load	●	-
	AIR FLUFF	Foam, rubber, plastic	◐	-
	WRINKLE RELEASE	Shirts, Trouser, Blouses	◐	-

Specifications



NOTE

- ●: factory setting, ●: can be selected

Cycle		Temperature setting					Time setting
		High	Medium	Med Low	Low	Extra Low	
Sensor Dry	NORMAL	-	●	-	-	-	-
	HEAVY DUTY	●	-	-	-	-	-
	SANITIZE	●	-	-	-	-	-
	WOOL	-	-	-	●	-	-
	DELICATES	-	-	-	-	●	-
	ACTIVEWEAR	-	-	-	●	-	-
	TOWELS	●	-	-	-	-	-
	PERM PRESS	-	●	-	-	-	-
Manual Dry	QUICK DRY	●	-	-	-	-	●
	TIME DRY	●	●	●	●	●	●
	AIR FLUFF	-	-	-	-	-	●
	WRINKLE RELEASE	-	-	●	●	●	●

Cycle		Damp Alert	Wrinkle Prevent	Adjust Time
Sensor Dry	NORMAL	●	●	-
	HEAVY DUTY	●	●	-
	SANITIZE	-	●	-
	WOOL	-	●	-
	DELICATES	●	●	-
	ACTIVEWEAR	-	●	-
	TOWELS	●	●	-
	PERM PRESS	●	●	-
Manual Dry	QUICK DRY	-	●	●
	TIME DRY	-	●	●
	AIR FLUFF	-	●	●
	WRINKLE RELEASE	-	●	●

Warranty (U.S.A)

SAMSUNG DRYER

LIMITED WARRANTY TO ORIGINAL PURCHASER WITH PROOF OF PURCHASE

This SAMSUNG brand product, as supplied and distributed by SAMSUNG ELECTRONICS AMERICA, INC. (SAMSUNG) and delivered new, in the original carton to the original consumer purchaser, is warranted by SAMSUNG against manufacturing defects in materials or workmanship for the limited warranty period, starting from the date of original purchase, of:

One (1) Year All Parts and Labor

This limited warranty is valid only on products purchased and used in the United States that have been installed, operated, and maintained according to the instructions attached to or furnished with the product. To receive warranty service, the purchaser must contact SAMSUNG at the address or phone number provided below for problem determination and service procedures. Warranty service can only be performed by a SAMSUNG authorized service center. The original dated bill of sale must be presented upon request as proof of purchase to SAMSUNG or SAMSUNG's authorized service center to receive warranty service.

SAMSUNG will provide in-home service within the contiguous United States during the warranty period at no charge, subject to availability of SAMSUNG authorized servicers within the customer's geographic area. If in-home service is not available, SAMSUNG may elect, at its option, to provide transportation of the product to and from an authorized service center. If the product is located in an area where service by a SAMSUNG authorized servicer is not available, you may be responsible for a trip charge or required to bring the product to a SAMSUNG authorized service center for service.

To receive in-home service, product must be unobstructed and accessible to the service agent.

During the applicable warranty period, a product will be repaired, replaced, or the purchase price refunded, at the sole option of SAMSUNG. SAMSUNG may use new or reconditioned parts in repairing a product, or replace the product with a new or reconditioned product. Replacement parts and products are warranted for the remaining portion of the original product's warranty or ninety (90) days, whichever is longer. All replaced parts and products are the property of SAMSUNG and you must return them to SAMSUNG.

Warranty (U.S.A)

This limited warranty covers manufacturing defects in materials or workmanship encountered in normal household, noncommercial use of this product and shall not cover the following: damage that occurs in shipment, delivery, installation, and uses for which this product was not intended; damage caused by unauthorized modification or alteration of the product; product where the original factory serial numbers have been removed, defaced, changed in any way, or cannot be readily determined; cosmetic damage including scratches, dents, chips, and other damage to the product's finishes; damage caused by abuse, misuse, pest infestations, accident, fire, floods, or other acts of nature or God; damage caused by use of equipment, utilities, services, parts, supplies, accessories, applications, installations, repairs, external wiring or connectors not supplied or authorized by SAMSUNG; damage caused by incorrect electrical line current, voltage, fluctuations and surges; damage caused by failure to operate and maintain the product according to instructions; in-home instruction on how to use your product; and service to correct installation not in accordance with electrical or plumbing codes or correction of household electrical or plumbing (i.e., house wiring, fuses, or water inlet hoses). The cost of repair or replacement under these excluded circumstances shall be the customer's responsibility.

Visits by a Service Engineer to explain functions, maintenance or installation is not covered by warranty. Please contact your Samsung call agent for help with any of these issues.

EXCLUSION OF IMPLIED WARRANTIES

IMPLIED WARRANTIES, INCLUDING THE IMPLIED WARRANTIES OF MERCHANTABILITY OR FITNESS FOR A PARTICULAR PURPOSE, ARE LIMITED TO ONE YEAR OR THE SHORTEST PERIOD ALLOWED BY LAW. Some states do not allow limitations on how long an implied warranty lasts, so the above limitations or exclusions may not apply to you. This warranty gives you specific rights, and you may also have other rights, which vary from state to state.

LIMITATION OF REMEDIES

YOUR SOLE AND EXCLUSIVE REMEDY IS PRODUCT REPAIR, PRODUCT REPLACEMENT, OR REFUND OF THE PURCHASE PRICE AT SAMSUNG'S OPTION, AS PROVIDED IN THIS LIMITED WARRANTY. SAMSUNG SHALL NOT BE LIABLE FOR SPECIAL, INCIDENTAL OR CONSEQUENTIAL DAMAGES, INCLUDING BUT NOT LIMITED TO TIME WAY FROM WORK, HOTELS AND/OR RESTAURANT MEALS, REMODELING EXPENSES, LOSS OF REVENUE OR PROFITS, FAILURE TO REALIZE SAVINGS OR OTHER BENEFITS REGARDLESS OF THE LEGAL THEORY ON WHICH THE CLAIM IS BASED, AND EVEN IF SAMSUNG HAS BEEN ADVISED OF THE POSSIBILITY OF SUCH DAMAGES. Some states do not allow exclusion or limitation of incidental or consequential damages, so the above limitations or exclusions may not apply to you. This warranty gives you specific rights, and you may also have other rights, which vary from state to state.

SAMSUNG does not warrant uninterrupted or error-free operation of the product. No warranty or guarantee given by any other person, firm, or corporation with respect to this product shall be binding on SAMSUNG.

To obtain warranty service, please contact SAMSUNG at:

Samsung Electronics America, Inc.

85 Challenger Road

Ridgefield Park, NJ 07660

1-800-SAMSUNG (726-7864)

www.samsung.com/us/support

Warranty (CANADA)

SAMSUNG DRYER

LIMITED WARRANTY TO ORIGINAL PURCHASER

This SAMSUNG brand product, as supplied and distributed by SAMSUNG ELECTRONICS CANADA, INC. (SAMSUNG) and delivered new, in the original carton to the original consumer purchaser, is warranted by SAMSUNG against manufacturing defects in materials and workmanship for a limited warranty period of:

- One (1) year part and labor

This limited warranty begins on the original date of purchase, and is valid only on products purchased and used in the Canada.

To receive warranty service, the purchaser must contact SAMSUNG for problem determination and service procedures.

Warranty service can only be performed by a SAMSUNG authorized service center.

The original dated bill of sale must be presented upon request as proof of purchase to SAMSUNG or SAMSUNG's authorized service center.

SAMSUNG will provide in-home service during the warranty period at no charge, subject to availability within the Canada.

In-home service is not available in all areas.

To receive in-home service, product must be unobstructed and accessible to the service agent.

If service is not available, SAMSUNG may elect to provide transportation of the product to and from an authorized service center.

SAMSUNG will repair, replace, or refund this product at our option and at no charge as stipulated herein, with new or reconditioned parts or products if found to be defective during the limited warranty period specified above.

All replaced parts and products become the property of SAMSUNG and must be returned to SAMSUNG.

Replacement parts and products assume the remaining original warranty, or ninety (90) days, whichever is longer.

This limited warranty covers manufacturing defects in materials and workmanship encountered in normal, noncommercial use of this product and shall not apply to the following: damage that occurs in shipment; delivery and installation; applications and uses for which this product was not intended; altered product or serial numbers; cosmetic damage or exterior finish; accidents, abuse, neglect, fire, water, lightning, or other acts of nature or God; use of products, equipment, systems, utilities, services, parts, supplies, accessories, applications, installations, repairs, external wiring or connectors not supplied or authorized by SAMSUNG that damage this product or result in service problems; incorrect electrical line voltage, fluctuations and surges; customer adjustments and failure to follow operating instructions, maintenance and environmental instructions that are covered and prescribed in the instruction book; product removal and reinstallation; problems caused by pest infestations.

This limited warranty does not cover problems resulting from incorrect electric current, voltage or supply, light bulbs, house fuses, house wiring, cost of a service call for instructions, or fixing installation errors.

SAMSUNG does not warrant uninterrupted or error-free operation of the product.

EXCEPT AS SET FORTH HEREIN, THERE ARE NO WARRANTIES ON THIS PRODUCT EITHER EXPRESS OR IMPLIED, AND SAMSUNG DISCLAIMS ALL WARRANTIES INCLUDING, BUT NOT LIMITED TO, ANY IMPLIED WARRANTIES OF MERCHANTABILITY, INFRINGEMENT OR FITNESS FOR A PARTICULAR PURPOSE.

NO WARRANTY OR GUARANTEE GIVEN BY ANY PERSON, FIRM, OR CORPORATION WITH RESPECT TO THIS PRODUCT SHALL BE BINDING ON SAMSUNG.

SAMSUNG SHALL NOT BE LIABLE FOR LOSS OF REVENUE OR PROFITS, FAILURE TO REALIZE SAVINGS OR OTHER BENEFITS, OR ANY OTHER SPECIAL, INCIDENTAL OR CONSEQUENTIAL DAMAGES CAUSED BY THE USE, MISUSE, OR INABILITY TO USE THIS PRODUCT, REGARDLESS OF THE LEGAL THEORY ON WHICH THE CLAIM IS BASED, AND EVEN IF SAMSUNG HAS BEEN ADVISED OF THE POSSIBILITY OF SUCH DAMAGES.

NOR SHALL RECOVERY OF ANY KIND AGAINST SAMSUNG BE GREATER IN AMOUNT THAN THE PURCHASE PRICE OF THE PRODUCT SOLD BY SAMSUNG AND CAUSING THE ALLEGED DAMAGE.

WITHOUT LIMITING THE FOREGOING, PURCHASER ASSUMES ALL RISK AND LIABILITY FOR LOSS, DAMAGE, OR INJURY TO PURCHASER AND PURCHASER'S PROPERTY AND TO OTHERS AND THEIR PROPERTY ARISING OUT OF THE USE, MISUSE, OR INABILITY TO USE THIS PRODUCT.

THIS LIMITED WARRANTY SHALL NOT EXTEND TO ANYONE OTHER THAN THE ORIGINAL PURCHASER OF THIS PRODUCT, IS NONTRANSFERABLE AND STATES YOUR EXCLUSIVE REMEDY.

Warranty (CANADA)

Some provinces do not allow limitations on how long an implied warranty lasts, or the exclusion or limitation of incidental or consequential damages, so the above limitations or exclusions may not apply to you.

This warranty gives you specific rights, and you may also have other rights, which vary from province to province.

To obtain warranty service, please contact SAMSUNG at:

Samsung Electronics Canada Inc.

2050 Derry Road West,

Mississauga, Ontario L5N 0B9 Canada

1-800-SAMSUNG (726-7864)

www.samsung.com/ca/support (English)

www.samsung.com/ca_fr/support (French)

Visits by a Service Engineer to explain functions, maintenance or installation is not covered by warranty.

Please contact your Samsung call agent for help with any of these issues.

Memo



Scan the QR code* or visit
www.samsung.com/spsn
to view our helpful
How-to Videos and Live Shows

*Requires reader to be installed on your smartphone

Scan this with your smartphone

QUESTIONS OR COMMENTS?

COUNTRY	CALL	OR VISIT US ONLINE AT
U.S.A	1-800-SAMSUNG (726-7864) 1-844-SAM-PAYS (726-7297)	www.samsung.com/us/support
CANADA	1-800-SAMSUNG(726-7864) 1-844-SAM-PAYS (726-7297)	www.samsung.com/ca/support (English) www.samsung.com/ca_fr/support (French)



Sèche-linge

Manuel d'utilisation

DV25B6800E*

SAMSUNG

Table des matières

Consignes de sécurité	4
Remarques importantes sur les consignes de sécurité	4
Importants symboles de sécurité	4
AVERTISSEMENT DE LA PROPOSITION 65 DE L'ÉTAT DE LA CALIFORNIE	6
Consignes de sécurité importantes	6
Avertissements	8
Mises en garde	8
Avant l'installation	10
Conditions d'installation principales	10
Choix de l'emplacement d'installation	10
Conditions requises en matière de conduits	14
Conditions requises en matière d'évacuation	15
Normes électriques	16
Installation	18
Ce qui est inclus	18
Installation étape par étape	20
Guide de connexion des conduites d'évacuation	24
Changement de sens du conduit d'évacuation (facultatif)	25
Test de blocage de l'aération	29
Changement de position de la porte	32
Avant de démarrer	37
Tri et charge	37
Conditions de fonctionnement préalables	37
Opérations	38
Panneau de commande	38
Étapes simples pour commencer	40
Présentation des cycles	41
Guide des cycles	42
Fonctions spéciales	43

Entretien	45
Nettoyage	45
Dépannage	46
Contrôles à effectuer	46
Codes d'information	49
Caractéristiques techniques	50
Tableau des symboles d'entretien des textiles	50
Protection de l'environnement	51
Fiche de spécifications	52
Tableau des cycles	53

Consignes de sécurité

Félicitations pour l'achat de votre nouveau sèche-linge Samsung. Ce manuel contient de précieuses informations concernant l'installation, l'utilisation et l'entretien de votre appareil. Prenez le temps de le lire pour tirer pleinement profit de tous les avantages et de toutes les fonctionnalités de votre sèche-linge.

Remarques importantes sur les consignes de sécurité

Veuillez lire attentivement ce manuel pour vous assurer que vous savez comment utiliser efficacement toutes les caractéristiques et fonctions de votre nouvel appareil en toute sécurité. Conservez ce manuel dans un endroit sûr situé à proximité de l'appareil afin de pouvoir facilement vous y reporter en cas de besoin. N'utilisez pas cet appareil autrement que pour l'usage auquel il est destiné, conformément aux consignes du manuel.

Les avertissements et les consignes de sécurité importantes cités dans ce manuel ne couvrent pas toutes les conditions et les situations susceptibles de se produire. Il est de votre responsabilité de faire preuve de bon sens, de prudence et de discernement lors de l'installation, de l'entretien et de l'utilisation de votre sèche-linge.

Ces consignes d'utilisation couvrant plusieurs modèles, il se peut que les caractéristiques de votre sèche-linge diffèrent légèrement de celles décrites dans ce manuel ; ainsi, certaines icônes d'avertissement peuvent ne pas s'appliquer à votre machine. Pour toute question ou renseignement, contactez le service après-vente le plus proche ou recherchez des informations et consultez l'aide en ligne sur www.samsung.com.

Importants symboles de sécurité

Signification des icônes et signes repris dans ce manuel d'utilisation :

AVERTISSEMENT

Risques ou pratiques dangereuses susceptibles de provoquer des blessures corporelles graves, le décès et/ou des dommages matériels.

ATTENTION

Risques ou pratiques dangereuses susceptibles de provoquer des blessures corporelles graves et/ou des dommages matériels.

REMARQUE

Indique qu'un risque de blessure à la personne ou de dommage matériel existe.

Ces symboles d'avertissement sont présents pour prévenir toute blessure, à vous-même ou à d'autres personnes.

Veuillez les respecter scrupuleusement.

Après avoir lu ce manuel, conservez-la dans un endroit sûr pour vous y référer ultérieurement.

Lisez attentivement toutes les consignes avant d'utiliser l'appareil.

Comme pour tout appareil électrique comportant des parties mobiles, des risques existent. Pour utiliser cet appareil en toute sécurité, familiarisez-vous avec son fonctionnement et faites preuve de prudence lorsque vous l'utilisez.

CONSERVEZ SOIGNEUSEMENT CES CONSIGNES

AVERTISSEMENT - Risque d'incendie

- L'installation du sèche-linge doit être effectuée par un technicien qualifié.
- L'installation du sèche-linge doit se faire conformément aux instructions du fabricant et aux réglementations locales.
- N'équipez jamais un sèche-linge de conduits de ventilation en plastique flexible. Si vous utilisez un conduit en métal flexible (de type aluminium), celui-ci doit être conforme aux spécifications du fabricant et adapté à une utilisation sur sèche-linge. Les matériaux flexibles utilisés dans les systèmes d'évacuation de l'air ont tendance à se plier, à s'écraser et à retenir les peluches de tissu. Ces conditions empêchent une évacuation adéquate de l'air et augmentent les risques d'incendie.

- N'installez pas de ventilateur secondaire dans le conduit d'évacuation.

Remarque: L'avertissement relatif au ventilateur d'appoint ne s'applique pas aux sèche-linge destinés à être installés dans un système de sèche-linge multiples, avec un système de conduits d'évacuation technique installé conformément aux directives du fabricant du sèche-linge.

- Pour réduire les risques de blessure grave ou de décès, observez attentivement les consignes d'installation.
- Conservez soigneusement ces instructions.

AVERTISSEMENT - Pour réduire le risque d'incendie ou d'explosion :

- Ne faites sécher aucun article ayant été précédemment en contact par nettoyage, lavage ou trempage avec de l'essence, des solvants de nettoyage à sec ou toute autre substance inflammable ou explosive. En effet, ceux-ci diffusent des vapeurs pouvant s'enflammer ou exploser. Ne placez aucun article ayant été en contact avec un solvant ou des matières solides ou liquides inflammables dans le sèche-linge tant que toutes les traces de ces produits n'ont pas été éliminées.
De nombreux produits inflammables sont utilisés dans l'environnement domestique comme l'acétone, l'alcool dénaturé, l'essence, le kérosène, certains nettoyants ménagers sous forme liquide, certains détachants, la térébenthine, les cires et les produits décapants.
- Ne faites jamais sécher à chaud les articles à base de caoutchouc mousse (également appelé mousse de latex) ou de matériaux dont la texture ressemble à celle du caoutchouc. En effet, les matières en caoutchouc mousse peuvent, dans certaines circonstances, s'enflammer spontanément.

CONSERVEZ SOIGNEUSEMENT CES CONSIGNES

Consignes de sécurité

AVERTISSEMENT - Risque d'incendie ou d'explosion:

- Si les avertissements de sécurité ne sont pas suivis à la lettre, des blessures graves voire mortelles ou des dégâts matériels pourraient survenir.
- N'entrez ni n'utilisez jamais d'essence ou d'autres produits inflammables à proximité de cet appareil ou de tout autre appareil.
- L'installation et l'entretien doivent être effectués par un installateur qualifié, un réparateur agréé ou votre fournisseur de gaz.
- N'installez pas de ventilateur secondaire dans le conduit d'évacuation.

Remarque: L'avertissement relatif au ventilateur d'appoint ne s'applique pas aux sèche-linge destinés à être installés dans un système de sèche-linge multiples, avec un système de conduits d'évacuation technique installé conformément aux directives du fabricant du sèche-linge.

AVERTISSEMENT DE LA PROPOSITION 65 DE L'ÉTAT DE LA CALIFORNIE

AVERTISSEMENT

Peut causer le cancer et avoir des effets nocifs sur la reproduction – www.P65Warnings.ca.gov.

Consignes de sécurité importantes

AVERTISSEMENT

Afin de réduire les risques d'incendie, d'électrocution ou de blessures physiques lors de l'utilisation de l'appareil, des précautions de base doivent être prises :

1. Lisez toutes les consignes de sécurité avant d'utiliser l'appareil.
2. Ne faites pas sécher de linge ayant été en contact par nettoyage, lavage ou trempage avec de l'essence, des solvants de nettoyage à sec ou tout autre substance inflammable ou explosive ; ces produits dégagent en effet des vapeurs qui risqueraient de s'enflammer ou d'exploser.
3. N'utilisez pas le sèche-linge pour faire sécher des vêtements comportant des traces de substances inflammables telles que de l'huile végétale, de l'huile de cuisson, de l'huile de machine, des produits chimiques inflammables, des solvants, etc. ou des objets comportant des traces de cire ou de produits chimiques Ils risqueraient de prendre feu.
4. N'entrez ni n'utilisez jamais d'essence ou d'autres produits inflammables à proximité de cet appareil ou de tout autre appareil.

CONSERVEZ SOIGNEUSEMENT CES CONSIGNES

5. Ne laissez pas les enfants jouer sur ou dans l'appareil. Une surveillance attentive s'impose lorsque l'appareil est utilisé à proximité d'enfants.
6. Avant la mise hors service ou au rebut de l'appareil, retirez le hublot du tambour.
7. Ne tentez pas d'ouvrir l'appareil lorsque le tambour est en mouvement.
8. N'installez et n'entrez jamais cet appareil dans un endroit exposé aux intempéries.
9. N'utilisez pas les commandes internes inutilement.
10. Ne procédez pas à la réparation ou au remplacement des pièces de l'appareil et ne tentez pas non plus de le réparer vous-même, sauf si le manuel d'entretien ou de réparation contient des recommandations spécifiques en la matière que vous comprenez et êtes en mesure d'exécuter.
11. N'utilisez aucun adoucissant ou produit antistatique autre que ceux recommandés par le fabricant du produit ou de l'appareil.
12. Nettoyez le filtre avant ou après chaque utilisation.
13. Ne sélectionnez pas une température élevée pour faire sécher des articles contenant du caoutchouc mousse ou des matériaux dont la texture est similaire à celle du caoutchouc.
14. Évitez toute accumulation de peluches, poussières et saletés à proximité de l'orifice d'évacuation.
15. L'intérieur de l'appareil et du conduit d'évacuation doit être nettoyé régulièrement, par un technicien de maintenance qualifié.
16. Ne faites pas sécher du linge ayant été en contact avec de l'huile de cuisson. Il risquerait de s'enflammer. Pour réduire le risque d'incendie dû à du linge contaminé, la phase finale d'un cycle du sèche-linge se fait sans chaleur (période de refroidissement). Évitez d'arrêter un sèche-linge avant la fin de son cycle de séchage, sauf si vous sortez et étendez immédiatement le linge afin que la chaleur se dissipe.
17. Cet appareil doit être mis à la terre. Reportez-vous aux chapitres « Normes électriques » et « Mise à la terre » dans la section « Installation ».
18. Ne laissez pas les enfants jouer sur ou dans l'appareil. Une surveillance attentive s'impose lorsque l'appareil est utilisé à proximité d'enfants.
19. N'insérez pas votre main sous le sèche-linge.
 - Cela pourrait provoquer des blessures.
20. Veillez à ce que les doigts des enfants ne soient pas pris dans la porte en la fermant.
 - Cela pourrait provoquer des blessures.
21. Le panneau de commande et la vanne d'alimentation en eau sont intentionnellement non mis à la terre et peuvent présenter un risque d'électrocution uniquement lors d'une réparation.
 - Ne touchez pas ces pièces lorsque l'appareil est sous tension.

CONSERVEZ SOIGNEUSEMENT CES CONSIGNES

Consignes de sécurité

Avertissements

AVERTISSEMENT

- Vérifiez que les poches sont vides. Les petits objets aux bords irréguliers (pièces de monnaie, canifs, épingles, etc.) risquent en effet d'endommager votre sèche-linge.

Mises en garde

ATTENTION

- Ne laissez ni les enfants ni les animaux domestiques jouer sur, dans ou devant l'appareil. Une surveillance attentive s'impose lorsque l'appareil est utilisé à proximité d'enfants ou d'animaux domestiques.
- Avant de mettre au rebut ou hors service votre sèche-linge, retirez le hublot du compartiment de séchage pour éviter que des enfants ou des animaux ne se trouvent piégés à l'intérieur de l'appareil.
- N'ouvrez pas le sèche-linge lorsque le tambour est en mouvement.
- N'installez et n'entreposez jamais cet appareil dans un endroit exposé aux intempéries.
- N'utilisez pas les commandes du sèche-linge inutilement.
- Ne procédez pas à la réparation, au remplacement ou à l'entretien des pièces de l'appareil sauf si le manuel d'entretien contient des recommandations spécifiques en la matière, si vous comprenez ces recommandations et si vous disposez des compétences requises pour réaliser l'opération.
- N'utilisez aucun adoucissant ou produit anti-statique autre que ceux recommandés par le fabricant.
- Nettoyez le filtre avant ou après chaque utilisation.
- Évitez toute accumulation de peluches, poussières et saletés à proximité de l'orifice d'évacuation.
- L'intérieur du sèche-linge et du conduit d'évacuation doit être nettoyé régulièrement, par un technicien de maintenance qualifié.
- Cet appareil doit être correctement mis à la terre. Ne branchez jamais le cordon d'alimentation sur une prise qui n'est pas correctement reliée à la terre ou qui n'est pas conforme aux réglementations locales et nationales en vigueur. Consultez les consignes d'installation pour relier cet appareil à la terre.
- Ne vous asseyez pas sur le sèche-linge.
- Évitez de faire sécher des vêtements comportant de grandes boucles, des boutons ou d'autres accessoires en métal lourd.
- Installez-le et utilisez-le conformément aux consignes du fabricant.
- N'introduisez aucun article imprégné ou taché d'huile végétale ou alimentaire dans votre sèche-linge. Même une fois lavés, ces articles peuvent encore contenir une quantité non négligeable d'huile.

CONSERVEZ SOIGNEUSEMENT CES CONSIGNES

-
- Toute huile résiduelle risque de s'enflammer spontanément. Le potentiel de combustion spontanée augmente lorsque les articles imbibés d'huile végétale ou alimentaire sont exposés à la chaleur. Les sources de chaleur comme votre sèche-linge peuvent chauffer ces articles, engendrant une oxydation de l'huile. Cette oxydation crée elle-même de la chaleur. Si cette chaleur ne se dissipe pas, les articles deviennent suffisamment brûlants pour s'enflammer. Entasser, empiler ou stocker ce type d'articles peut empêcher la dissipation de la chaleur et être à l'origine d'un risque d'incendie.
 - Tout le linge imbibé d'huile végétale ou alimentaire, qu'il soit lavé ou non, peut s'avérer dangereux.
Le fait de laver ces articles à l'eau chaude avec une dose supplémentaire de lessive réduit ce risque, sans pour autant le supprimer. Utilisez toujours le programme de refroidissement Cool Down (Refroidissement), afin de réduire leur température. Ne retirez jamais ces articles du sèche-linge lorsqu'ils sont chauds ; de même, n'interrompez pas le programme de séchage tant que le cycle Cool Down (Refroidissement) n'est pas terminé. N'entassez et n'empilez pas ces articles lorsqu'ils sont chauds.

CONSERVEZ SOIGNEUSEMENT CES CONSIGNES

Avant l'installation

Lisez attentivement les instructions suivantes avant d'installer le sèche-linge et conservez-les dans un endroit sûr afin de pouvoir vous y reporter ultérieurement.

AVERTISSEMENT

La mise à la terre de certaines pièces internes n'a volontairement pas été effectuée; ces éléments peuvent donc présenter un risque d'électrocution (lors de l'entretien uniquement).

Technicien de maintenance - Ne touchez pas les pièces suivantes lorsque l'appareil est sous tension: Panneau de commande et vanne d'arrivée d'eau.

Conditions d'installation principales

- Une prise électrique avec mise à la terre.
- Un cordon d'alimentation pour sèche-linge électrique (à l'exception du Canada).
- Un système d'évacuation, réalisé en métal rigide ou en métal flexible avec parois rigides.

AVERTISSEMENT

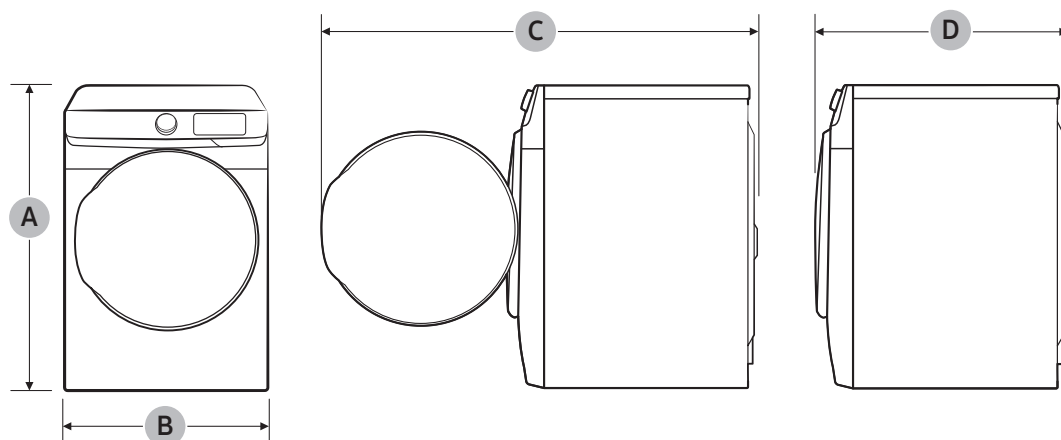
Retirez le hublot des appareils mis au rebut pour éviter qu'un enfant ne s'étouffe à l'intérieur.

Choix de l'emplacement d'installation

Le sèche-linge doit être installé dans un endroit suffisamment spacieux, tant à l'avant pour permettre de charger l'appareil, qu'à l'arrière pour le système d'évacuation. Ce sèche-linge est équipé en usine pour une évacuation arrière en option. Si vous préférez l'évacuation par le bas, la droite ou la gauche, utilisez le kit d'évacuation auxiliaire. Les instructions sont fournies avec le kit. Veillez à ce que la pièce dans laquelle se trouve le sèche-linge soit suffisamment aérée. Vous devez donc installer le sèche-linge dans une pièce correctement ventilée. Pour les sèche-linge à gaz, respectez un dégagement adéquat (comme indiqué sur la plaque signalétique) afin de garantir une aération appropriée pour la combustion et le bon fonctionnement du sèche-linge.

Vous ne devez ni installer ni stocker le sèche-linge dans un endroit où il pourrait être en contact avec de l'eau et/ou exposé aux intempéries. Vous devez maintenir le sèche-linge à l'écart de tous matériaux combustibles, essence et autres vapeurs et liquides inflammables. Un sèche-linge produit des peluches combustibles. Évitez donc que des peluches ne s'accumulent autour.

Dimensions



Type		Sèche-linge à chargement frontal
Modèles		DV25B6800E*
Dimensions (po (mm))	A. Hauteur totale	33,5 (850)
	B. Largeur	23,6 (600)
	C. Profondeur avec hublot ouvert	43,3 (1101)
	D. Profondeur	25,8 (655)

Avant l'installation

Dégagement requis

Ce dégagement requis concerne uniquement les sèche-linge.

REMARQUE

- Pour connaître le dégagement requis pour le lave-linge, reportez-vous au manuel d'utilisation du lave-linge.
- Si les dégagements requis pour le lave-linge et le sèche-linge sont différents, respectez celui dont la valeur est la plus élevée.

Encastrement dans une niche ou installation dans un placard

AVERTISSEMENT

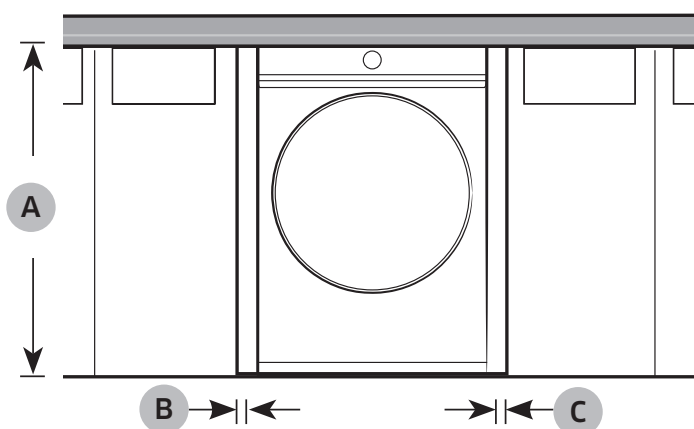
- L'évacuation du sèche-linge doit se faire vers l'extérieur afin de réduire les risques d'incendie si l'appareil est installé dans une niche ou un placard.
- Vous ne devez installer aucun autre appareil fonctionnant au fuel dans le même placard que le sèche-linge.
- Placez le sèche-linge à 18 pouces (460 mm) minimum au-dessus du sol pour une installation dans un garage.

Espace minimum pour un fonctionnement stable :

Côtés	Haut	Arrière	Avant
1 po (25 mm)	1 po (25 mm)	3 po (76 mm)	1 po (25 mm)

Si le lave-linge et un sèche-linge sont tous deux installés au même endroit, le panneau avant de la niche ou du placard doit être doté de deux ouvertures non obstruées ; assurez-vous d'avoir une surface totale combinée d'au moins 72 po² (465 cm²).

Installation sous plan

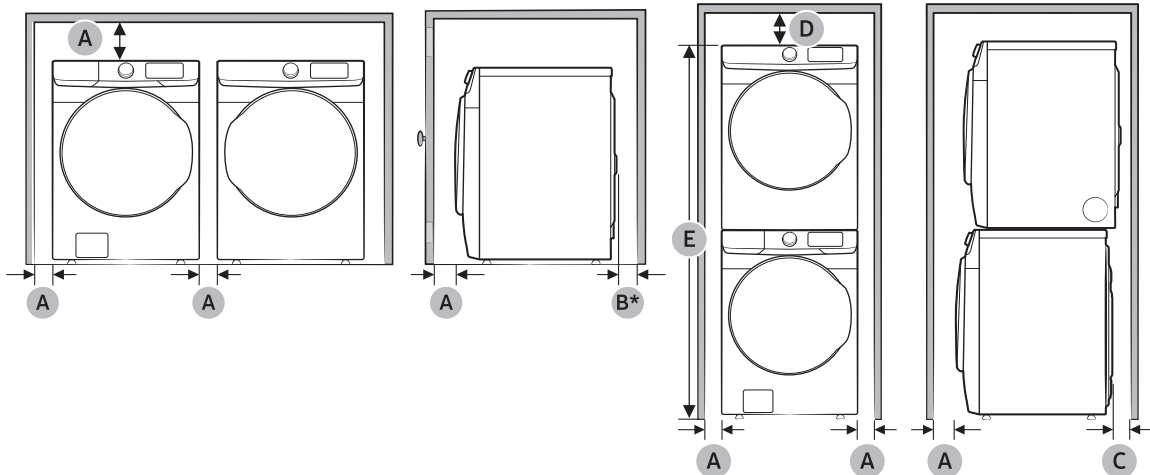


A	34,4 po (875 mm)
B	1 po (25 mm)
C	1 po (25 mm)

Ce dégagement requis concerne l'installation d'une paire lave-linge/sèche-linge.

Installation côte à côte

Installation empilée



A	1 po (25 mm)
B*	3 po (76 mm)
C	2 po (50 mm)
D	6 po (152 mm)
E	67 po (1702 mm)

(B*): Ce dégagement requis concerne uniquement les sèche-linge. Pour connaître le dégagement requis pour le lave-linge, reportez-vous au manuel d'utilisation du lave-linge.

Un espace minimum (B*) de 3 po est nécessaire pour une meilleure performance du sèche-linge. En cas d'espace insuffisant pour l'installation du conduit, un kit de ventilation de taille appropriée est requis.

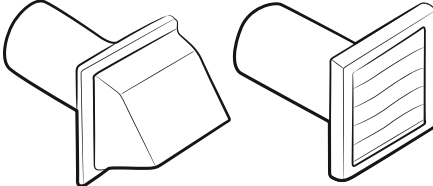
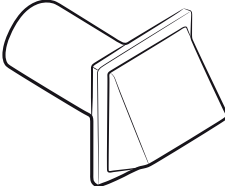
REMARQUE

Superposition (SK-DH)

De nombreux lave-linge et sèche-linge Samsung peuvent être superposés pour optimiser l'espace utile. Les kits de superposition sont en vente chez votre revendeur Samsung. Pour plus de détails concernant la superposition et les modèles compatibles, reportez-vous au manuel d'utilisation inclus dans le kit de superposition que vous avez acheté.

Avant l'installation

Conditions requises en matière de conduits

	Recommandé	À n'utiliser que pour les installations temporaires
Type de bouche d'évacuation	 4 po (10,2 cm)	 2,5 po (6,4 cm)
N° de coudes à 90°	Rigide	Rigide
0	80 pieds (24,2 m)	60 pieds (28,3 m)
1	60 pieds (28,3 m)	45 pieds (13,7 m)
2	45 pieds (13,7 m)	35 pieds (10,7 m)
3	35 pieds (10,7 m)	25 pieds (7,6 m)

REMARQUE

* Utilisez un conduit rigide en aluminium ou en acier galvanisé d'un diamètre de 4 pouces (10,2 cm).

Si vous intégrez le système d'aération du sèche-linge à un système d'évacuation existant :

- Assurez-vous que le système d'évacuation soit conforme à toutes les réglementations locales, régionales et nationales applicables.
- Vérifiez que vous n'utilisez pas un conduit en plastique flexible.
- Assurez-vous de vérifier l'absence de peluches accumulées à l'intérieur des conduits existants et de les retirer s'il y en a.
- Confirmez que le conduit n'est pas entortillé ou écrasé.
- Assurez-vous que le registre de la hotte s'ouvre et se ferme sans problème.

Utilisation du manomètre

La pression statique dans un système d'évacuation doit être inférieure à 0 ou ne doit pas dépasser 0,83 pouce. Notez que ces valeurs ont été mesurées sèche-linge en marche, à l'aide d'un manomètre placé au niveau du point de connexion entre le conduit d'évacuation et le sèche-linge. Le tambour du sèche-linge doit être vide et le filtre à peluches propre.

Conditions requises en matière d'évacuation

L'évacuation du sèche-linge ne doit pas être reliée à un conduit de cheminée, un mur, un plafond, un grenier, un espace mansardé ou exigu d'un bâtiment.

L'évacuation du sèche-linge vers l'extérieur évite le refoulement d'air humide et de peluches dans la pièce.

Aux États-Unis et au Canada

- Tous les sèche-linge doivent être dotés d'une évacuation vers l'extérieur.
- Le diamètre du conduit d'évacuation doit être de 4 po (10,2 cm).
- Consultez le chapitre « **Conditions requises en matière de conduits** » dans la section « **Installation** » pour connaître la longueur maximale de conduit et le nombre de courbures pouvant être utilisées.
- La longueur totale du conduit flexible en métal ne doit pas dépasser 7' 10½" (2,4 m).
- Le conduit ne doit pas être assemblé à l'aide de vis ou autres attaches pénétrant à l'intérieur du conduit et pouvant entraîner l'accumulation de peluches.
- **Pour les États-Unis uniquement :** Utilisez uniquement des conduits flexibles de type aluminium, tels que spécifiés par le fabricant, le cas échéant, et conformes à la norme Outline for Clothes Dryer Transition Duct (norme relative aux conduits d'évacuation des sèche-linge). Reportez-vous au sujet 2158A.

- **Pour le Canada uniquement :** Utilisez uniquement des conduits flexibles de type aluminium, tels que spécifiés par le fabricant, le cas échéant.

En dehors des États-Unis et du Canada

- Référez-vous aux réglementations locales.

AVERTISSEMENT

- L'évacuation du sèche-linge doit se faire vers l'extérieur pour réduire les risques d'incendie lors de l'installation de l'appareil dans une niche ou une armoire.
- N'utilisez jamais de conduit flexible en plastique ou non métallique.
- Si les conduits existants sont en plastique, non métalliques ou combustibles, remplacez-les par du matériel métallique.
- Utilisez uniquement des conduits d'évacuation métalliques et non inflammables pour assurer le confinement de l'air d'évacuation, de la chaleur et des peluches.

Avant l'installation

Normes électriques

Le schéma de câblage figure sur une plaque située sous le panneau de commande ou le panneau arrière.

AVERTISSEMENT

- Un branchement incorrect du conducteur de mise à la terre peut créer un risque d'électrocution. Demandez conseil à un électricien ou un réparateur agréé si vous avez des doutes quant à la mise à la terre correcte de votre sèche-linge. Ne modifiez pas la prise fournie avec le sèche-linge ; si celle-ci ne correspond pas à la prise secteur, demandez à un électricien qualifié d'installer une prise adéquate.
- Pour prévenir tout risque d'incendie, d'électrocution ou de blessure, l'intégralité du câblage et des mises à la terre doit être réalisée conformément aux réglementations locales ou, en l'absence de ces dernières, conformément au code électrique national (National Electrical Code) ANSI/NFPA No. 70 (dernières révisions) (pour les États-Unis) ou aux dispositions canadiennes sur l'électricité CSA C22.1 (dernières révisions) et aux réglementations locales. Il relève de votre responsabilité de fournir des services électriques adaptés à votre sèche-linge.

Mise à la terre

Ce sèche-linge doit être mis à la terre. En cas de panne ou de défaillance, la mise à la terre réduira le risque de surtension électrique en fournissant un circuit de fuite au courant électrique.

AVERTISSEMENT

- Votre sèche-linge est doté d'un cordon en option équipé d'un conducteur de mise à la terre et d'une prise de terre. Ce cordon est vendu séparément.
- La prise doit être branchée sur une prise secteur appropriée, correctement installée et mise à la terre conformément aux dispositions et aux réglementations en vigueur.
- Ne modifiez pas la prise fournie avec le sèche-linge ; si celle-ci ne correspond pas à la prise secteur, demandez à un électricien qualifié d'installer une prise adéquate.
- Si vous n'utilisez pas de cordon d'alimentation et que le sèche-linge électrique doit être branché en permanence, reliez-le à une prise de terre métallique permanente ou connectez un conducteur de mise à la terre aux conducteurs du circuit et à la borne ou au fil de terre de l'appareil.

Raccordement électrique

Avant toute mise en marche ou test, suivez toutes les consignes de mise à la terre présentées dans la section « **Mise à la terre** ». Nous vous recommandons de relier votre sèche-linge à une dérivation individuelle ou à un circuit distinct.

N'utilisez pas de rallonge avec cet appareil.

Pour les États-Unis uniquement

Aux États-Unis, la plupart des sèche-linge requièrent une alimentation en 120/240 V c.a., 60 Hz, tandis que d'autres requièrent une alimentation en 120/208 V c.a., 60 Hz. Vous trouverez les spécifications électriques sur l'étiquette située derrière le hublot. Un disjoncteur ou un fusible de 30 A est requis de chaque côté de la ligne.

- Si vous utilisez un cordon d'alimentation, branchez ce dernier sur une prise 30 A.
- Le cordon d'alimentation n'est pas fourni avec les sèche-linge version électrique aux États-Unis. Ce cordon est vendu séparément.

AVERTISSEMENT

Risque d'électrocution

Lorsque les dispositions locales le permettent, vous pouvez brancher le sèche-linge électrique à l'aide d'un nouveau kit de cordon d'alimentation, portant une mention de compatibilité avec les sèche-linge et homologué UL. Ce cordon doit supporter une alimentation nominale de 120/240 V, 30 A à partir d'un cordon doté de trois conducteurs en cuivre N°10 et terminé par des bornes en boucle fermée, des cosses à fourches ouvertes aux extrémités relevées ou des conducteurs étamés.

- Ne réutilisez pas le cordon d'alimentation d'un sèche-linge usagé. Le câblage électrique du cordon d'alimentation doit être raccordé au niveau du boîtier électrique du sèche-linge au moyen d'un réducteur de tension homologué UL.

- La mise à la terre via le conducteur neutre est interdite pour (1) les nouvelles installations de circuit, (2) les mobil homes, (3) les véhicules de camping et (4) les zones où les réglementations locales interdisent ce type de mise à la terre. (Dans ces cas-là, utilisez une fiche quadripolaire pour une prise 4 fils, de type NEMA 14-30R.)

Pour le Canada uniquement

Vous devez utiliser une alimentation électrique de 120/240 V c.a., 60 Hz, et un disjoncteur ou fusible de 30 A aux deux extrémités de la ligne.

REMARQUE

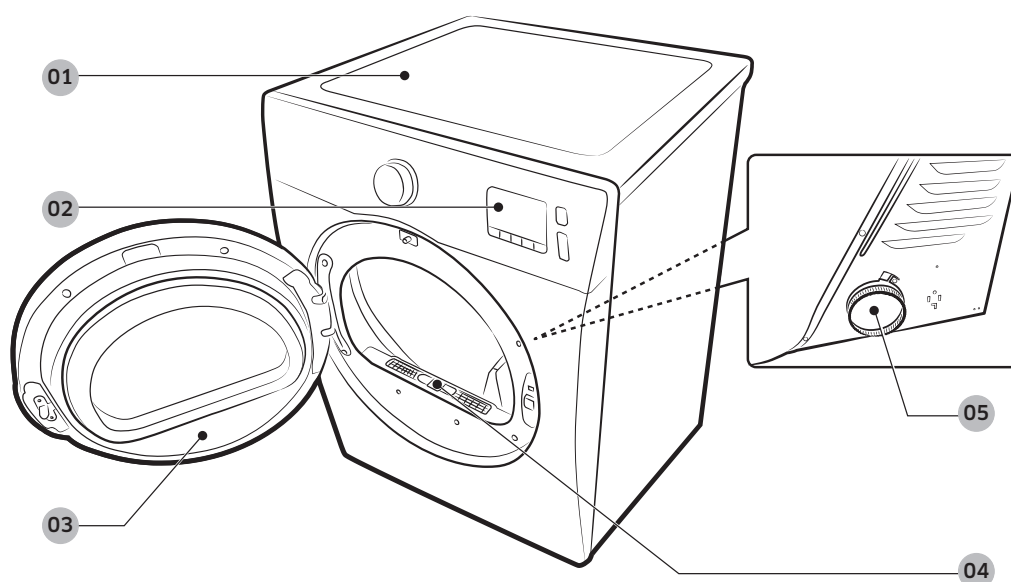
- Tous les modèles canadiens sont livrés avec un cordon d'alimentation intégré. Vous devez brancher le cordon d'alimentation sur une prise 30 A.
- Au Canada, vous pouvez convertir un sèche-linge en 120/208 V.

Installation

L'installation du sèche-linge doit être effectuée par un technicien qualifié. L'installateur doit connecter le sèche-linge au secteur en respectant les consignes de sécurité en vigueur dans votre zone.

Ce qui est inclus

Assurez-vous que toutes les pièces sont incluses dans l'emballage de l'appareil. Si vous rencontrez un problème avec votre sèche-linge ou les accessoires, contactez un centre de service Samsung local ou le magasin vous ayant vendu le produit.



Sèche-linge en un clin d'œil

01 Capot supérieur

02 Panneau de commande

03 Hublot

04 Filtre

05 Conduit d'évacuation

Accessoires et outils

Accessoires fournis



Kit de superposition (modèles canadiens uniquement)

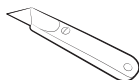


Cache

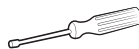
Outils requis



Pince



Cutter



Tournevis à douille



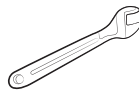
Niveau



Tournevis cruciforme



Ruban adhésif



Clé anglaise

AVERTISSEMENT

Les matériaux d'emballage peuvent être dangereux pour les enfants. Tenez tous les emballages (sacs en plastique, polystyrène, etc.) hors de portée des enfants.

Installation

Installation étape par étape

Assurez-vous que l'installation du sèche-linge est effectuée par un technicien qualifié. Les instructions d'installation étape par étape commencent ci-dessous.

ÉTAPE 1 Installer le système d'évacuation

1. Sélectionnez un emplacement et placez le sèche-linge sur le site. Afin de faciliter l'accès, nous vous conseillons d'installer le sèche-linge au même endroit que votre lave-linge.
2. Pour changer le sens d'ouverture du hublot, reportez-vous au chapitre « **Changement de position de la porte** ».
3. Installez le système d'évacuation tel qu'indiqué dans la section « **Guide de connexion des conduites d'évacuation** ».

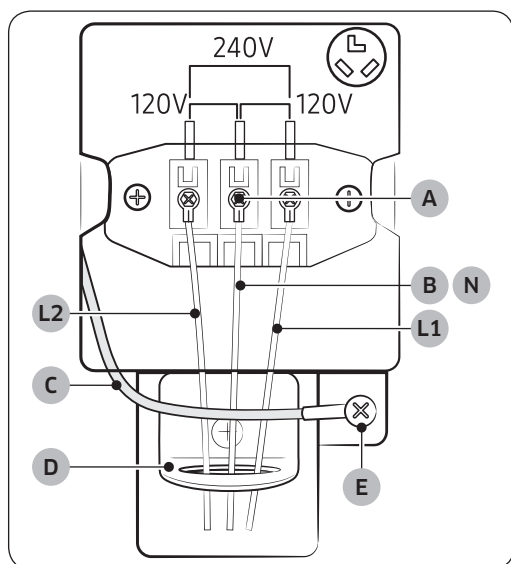
REMARQUE

- Posez deux des plateaux en carton de l'emballage sur le sol pour déplacer le sèche-linge plus facilement. Inclinez le sèche-linge sur le côté pour le poser sur les deux plateaux. Faites glisser le sèche-linge jusqu'à l'endroit où vous voulez l'installer et replacez le sèche-linge à la verticale.
- Veillez à laisser un espace suffisant autour de l'appareil afin de faciliter le raccordement des conduits et le câblage.

ÉTAPE 2 Câblage électrique

Tout d'abord, consultez la section « Normes électriques », puis suivez les instructions indiquées sur cette page ou sur la page suivante. Les instructions concernant les branchements à 3 fils figurent sur cette page. Les instructions concernant les branchements à 4 fils figurent sur la page suivante.

Pour un branchement à 3 fils



- A. Vis centrale argentée du bornier
- B. Fil neutre (blanc ou central)
- C. Fil de terre neutre (blanc ou vert/jaune)
- D. Réducteur de tension ¾" (1,9 cm) homologué UL
- E. Connecteur de terre externe

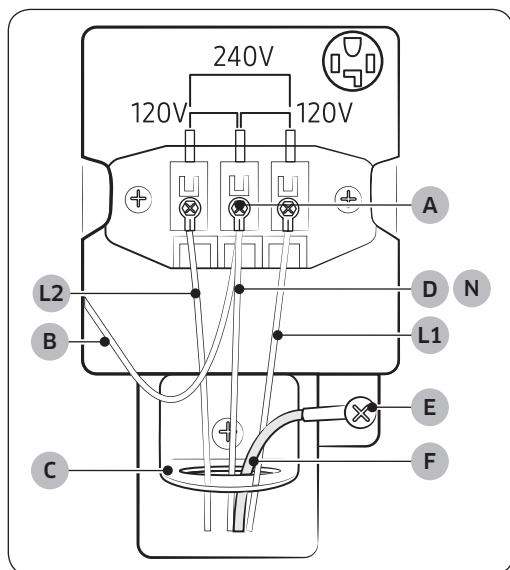
1. Desserrez ou retirez les vis du bornier central.
2. Reliez le fil neutre (blanc ou central) du câble d'alimentation au centre, la vis argentée centrale du bornier. Serrez les vis.
3. Reliez les autres fils aux bornes à vis extérieures. Serrez les vis.
4. Serrez les vis de libération de tension.
5. Insérez le cache du bornier dans le panneau arrière du sèche-linge. Fixez ensuite le cache à l'aide d'une vis.

⚠ ATTENTION

- Lors de la conversion d'un système à 4 fils en système à 3 fils, le conducteur de terre doit être rebranché sur le support du bornier, afin de mettre le châssis du sèche-linge à la terre sur le conducteur neutre.
- Il est recommandé d'utiliser des borniers à anneau. Si vous utilisez des cosses à barrette, veillez à ce qu'elles soient parfaitement mises en place.
- Branchez le cordon d'alimentation et vérifiez la tension sur les bornes L1/L2/N. Si la tension est basse, l'appareil risque de ne pas chauffer correctement.

Installation

Pour un branchement à 4 fils



- A. Vis centrale argentée du bornier
- B. Fil de terre neutre (blanc ou vert/jaune)
- C. Réducteur de tension $\frac{3}{4}$ " (1,9 cm) homologué UL
- D. Fil neutre (blanc ou central)
- E. Connecteur de terre externe
- F. Fil vert ou en cuivre nu du cordon d'alimentation

1. Retirez la vis du connecteur de terre externe et reliez le fil de terre (vert ou dénudé) du câble d'alimentation à la vis.

⚠ ATTENTION

- Pour relier le fil de terre à la position neutre sans utiliser le contact A (mise à la terre du châssis), contactez un technicien. Aucune pièce ne doit être réparée par l'utilisateur.
- Il est recommandé d'utiliser des borniers à anneau. Si vous utilisez des cosses à barrette, veillez à ce qu'elles soient parfaitement mises en place.

2. Desserrez ou retirez les vis du bornier central.
3. Reliez le fil neutre (blanc ou central) et le fil de terre (blanc) à la borne à vis centrale argentée du bornier. Serrez la vis.
4. Reliez les autres fils aux bornes à vis extérieures. Serrez les vis.
5. Serrez les vis de libération de tension.
6. Insérez la languette du cache du bornier dans l'encoche arrière du sèche-linge. Fixez ensuite le cache à l'aide d'une vis.

⚠ ATTENTION

Branchez le cordon d'alimentation et vérifiez la tension sur les bornes L1/L2/N. Si la tension est basse, l'appareil risque de ne pas chauffer correctement.

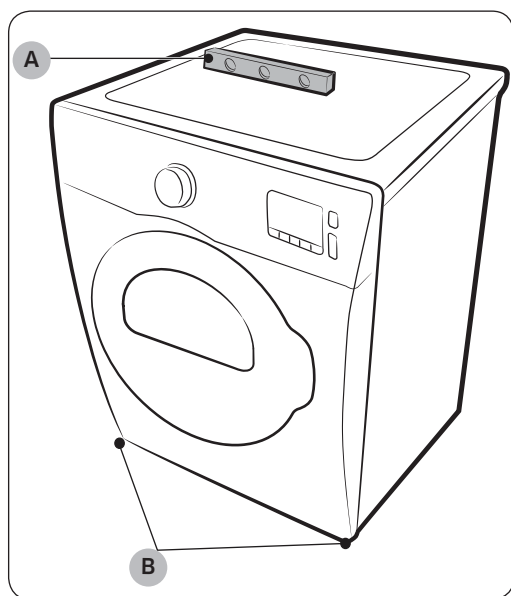
⚠ AVERTISSEMENT

- Tous les modèles destinés aux États-Unis sont conçus pour un branchement à 3 fils. Le châssis du sèche-linge est relié à la terre par un conducteur neutre au niveau du bornier. Un branchement à 4 fils est requis dans les cas suivants : nouvelles constructions, habitations rénovées, mobil-homes, réglementations locales n'autorisant pas la mise à la terre via le conducteur neutre. Si vous utilisez un système à 4 fils, vous ne pouvez pas mettre le châssis du sèche-linge à la terre via le conducteur neutre au niveau du bornier.

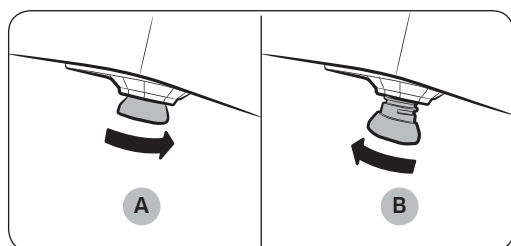
- Retirez le cache du bornier.
- Introduisez le cordon d'alimentation équipé d'un réducteur de tension homologué UL par l'orifice découpé dans le panneau à proximité du bornier.
- Vous devez impérativement utiliser un réducteur de tension.
- Ne desserrez pas les écrous déjà fixés au bornier. Assurez-vous qu'ils sont bien serrés.
- Utilisez une douille longue de 3/8" (1 cm).
- Depuis le 1er janvier 1996, le Code électrique national requiert que les nouveaux câblages (non existants) utilisent un branchement à 4 fils pour ce sèche-linge.

ÉTAPE 3 Mise à niveau du sèche-linge

Pour pouvoir offrir des performances optimales, le sèche-linge doit être de niveau.



1. Assurez-vous que le sèche-linge est à niveau de droite à gauche et de l'avant à l'arrière à l'aide d'un **niveau (A)**. Si le sèche-linge n'est pas de niveau, ajustez les **pieds de mise à niveau (B)** situés en-dessous du sèche-linge. Puis, vérifiez à nouveau si le sèche-linge est de niveau.



REMARQUE

- Pour positionner le sèche-linge à la même hauteur que le lave-linge, **rétractez (A)** entièrement les pieds en les faisant tourner dans le sens anti-horaire puis **desserrez (B)** les pieds en les faisant tourner dans le sens horaire. Une fois que le sèche-linge est au même niveau que le lave-linge, suivez les consignes ci-dessus pour mettre à niveau le sèche-linge.
- Ajustez les pieds uniquement pour atteindre le niveau requis. Si vous étendez les pieds plus que nécessaire, les vibrations seront plus importantes.

Installation

ÉTAPE 4 Dernière vérification

Lorsque l'installation est terminée, confirmez que :

- Le sèche-linge est branché sur une prise électrique et correctement relié à la terre.
- Les conduites d'évacuation sont connectées et les joints maintenus par du ruban adhésif.
- Nous avons choisi un système d'évacuation en métal rigide ou flexible et non des flexibles en plastique.
- Le sèche-linge est de niveau et ses pieds sont posés au sol de manière stable.
- Le sèche-linge démarre, fonctionne, chauffe et s'éteint correctement.

Guide de connexion des conduites d'évacuation

Connexion des conduites

1. Assurez-vous que le sèche-linge est installé de façon appropriée pour laisser l'air s'échapper librement.
2. Utilisez des conduites d'évacuation métalliques rigides de 4 pouces. Scellez tous les joints à l'aide d'un ruban adhésif, y compris le raccordement du sèche-linge. N'utilisez jamais de vis qui piègent les peluches.
3. Pour faciliter l'évacuation, gardez les conduites aussi droites que possible.

Nettoyage

Nettoyez toutes les anciennes conduites avant l'installation du sèche-linge et assurez-vous que le clapet d'air s'ouvre et se ferme librement. Nous vous recommandons de nettoyer le système d'évacuation une fois par an ou régulièrement.

AVERTISSEMENT

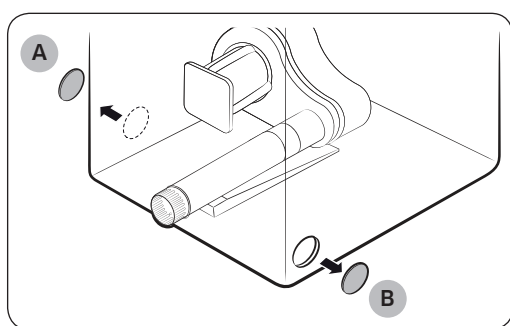
- Afin d'éviter un incendie, n'utilisez pas de conduites en plastique, en aluminium fin ou non métalliques quel qu'en soit le type.
- N'utilisez pas un mauvais système d'évacuation car il ralentit les performances du sèche-linge.
- N'utilisez pas de conduites excessivement longues et qui ont plusieurs coudes.
- N'utilisez pas de conduites et d'évents bouchés ou écrasés.

Changement de sens du conduit d'évacuation (facultatif)

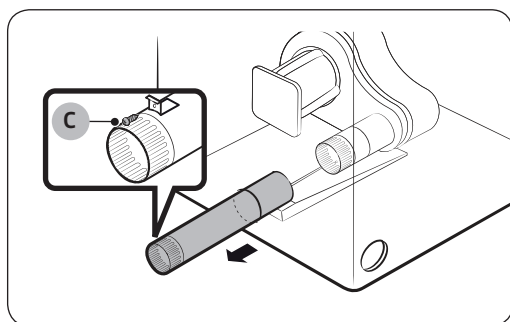
⚠ AVERTISSEMENT

Avant d'effectuer cette installation d'évacuation, débranchez le sèche-linge de son alimentation électrique. Lorsque vous travaillez à l'intérieur de l'armoire, portez des gants pour protéger vos mains et vos bras contre les bords tranchants.

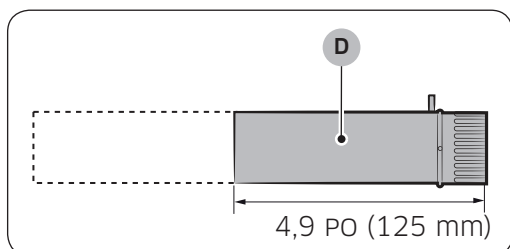
Aération latérale



1. Détachez l'entrée défonçable du côté **droit (A)** ou du côté **gauche (B)**, selon ce que vous souhaitez.

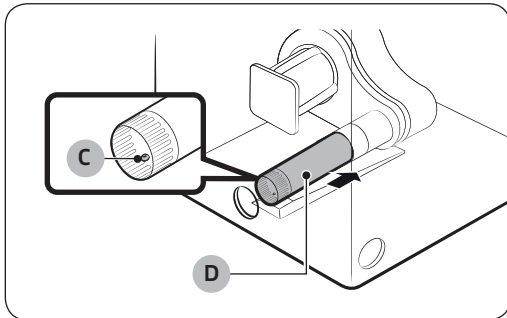


2. Tirez sur le conduit pour le sortir du sèche-linge, puis retirez la **vis (C)** au niveau du conduit. Mettez la **vis (C)** de côté. Vous en aurez besoin à une autre étape.

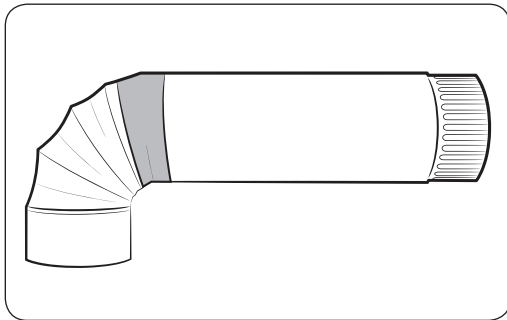


3. Coupez le conduit comme indiqué et conservez la **portion coupée du conduit (D)**.

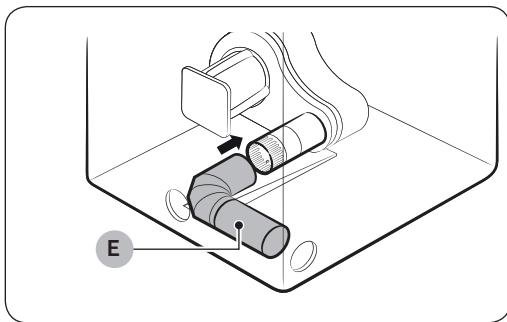
Installation



4. Réinstallez la **portion coupée du conduit (D)**, puis serrez-la à la rampe sur la base de l'appareil à l'aide de la **vis (C)** que vous avez mis de côté à l'étape 2.



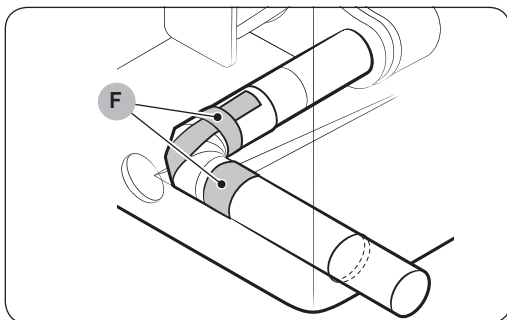
5. Raccordez un conduit sur un coude, puis appliquez du ruban adhésif en toile sur le conduit et le coude pour les coller ensemble.



6. Insérez le **conduit avec le coude (E)** à travers l'ouverture arrière, puis raccordez-le au conduit interne.

⚠ ATTENTION

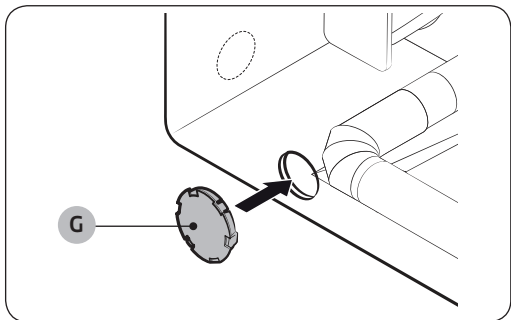
Les composants à fils dans le sèche-linge peuvent légèrement interférer avec le conduit. Ne tirez pas ou n'endommagez pas les fils électriques se trouvant à l'intérieur du sèche-linge lors de l'insertion du conduit.



7. Appliquez du **ruban adhésif en toile (F)** sur tous les raccords, comme indiqué.

⚠ ATTENTION

Tous les raccords doivent être fixés au moyen de ruban adhésif en toile afin d'éviter qu'ils se désolidarisent et entraînent un risque pour l'utilisateur.

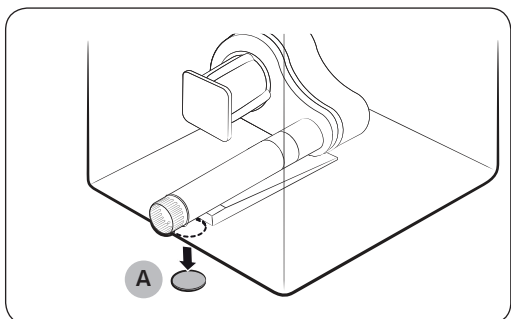


- Recouvrez l'ouverture arrière avec un cache (G).

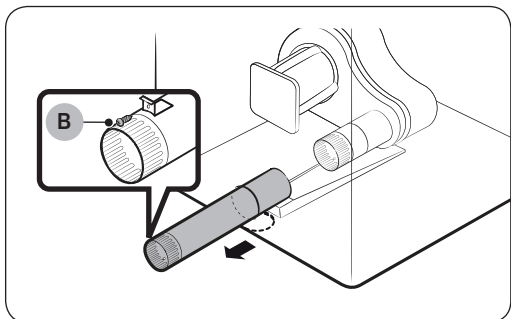
⚠ AVERTISSEMENT

Ne laissez jamais l'ouverture arrière non couverte. Elle doit être recouverte par un cache.

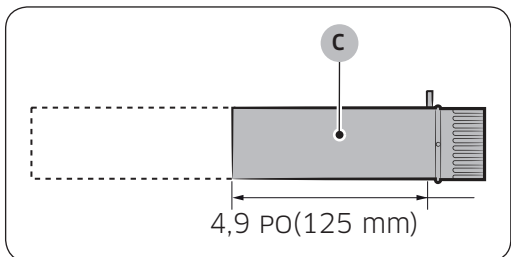
Aération inférieure



- Détachez l'entrée défonçable (A) inférieure.

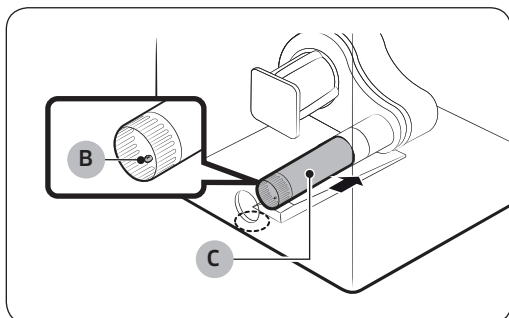


- Tirez sur le conduit pour le sortir du sèche-linge, puis retirez la vis (B) au niveau du conduit. Mettez la vis (B) de côté. Vous en aurez besoin à une autre étape.

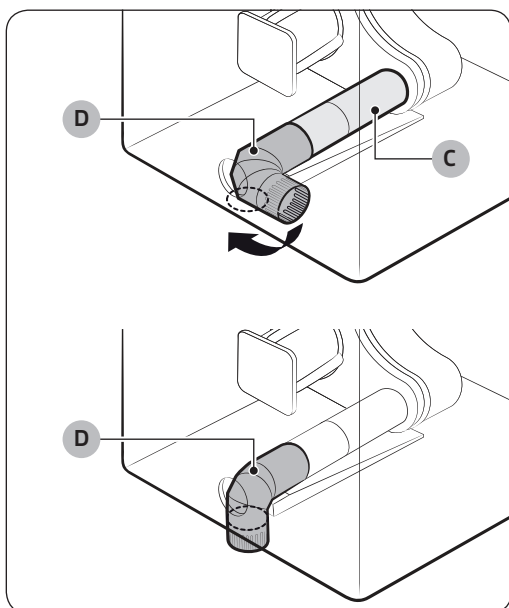


- Coupez le conduit comme indiqué et conservez la **portion coupée du conduit (C)**.

Installation



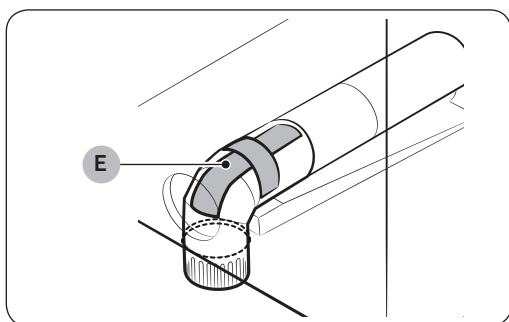
4. Réinstallez la **portion coupée du conduit (C)**, puis serrez-la à la rampe sur la base de l'appareil à l'aide de la **vis (B)** que vous avez mis de côté à l'étape 2.



5. Insérez le conduit avec le **coude (D)** à travers le trou arrière, puis raccordez-le au **conduit (C)**.
6. Faites tourner le **coude (D)** à travers l'ouverture inférieure.

⚠ ATTENTION

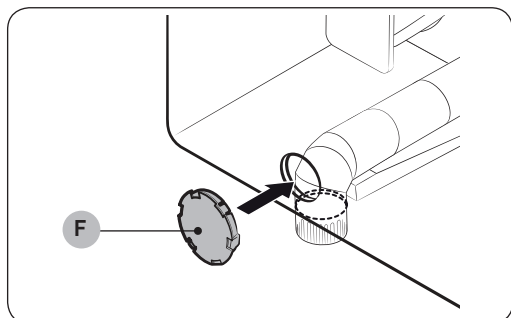
Ne tirez pas ou n'endommagez pas les fils électriques se trouvant à l'intérieur du sèche-linge lors de l'insertion du conduit.



7. Appliquez du **ruban adhésif en toile (E)** sur le raccord, comme indiqué.

⚠ ATTENTION

Tous les raccords doivent être fixés au moyen de ruban adhésif en toile afin d'éviter qu'ils se désolidarisent et entraînent un risque pour l'utilisateur.



8. Recouvrez l'ouverture arrière avec un cache (F).

⚠ AVERTISSEMENT

Ne laissez jamais l'ouverture arrière non couverte. Elle doit être recouverte par un cache.

Test de blocage de l'aération

Une fois le sèche-linge installé, lancez le test de blocage de l'aération afin de vérifier si le système de conduits est correctement installé. Le test de blocage de l'aération détecte automatiquement l'état des conduits et signale tout blocage ou problème. Le bon raccordement des conduits peut réduire le temps de séchage et économiser de l'énergie.

📄 REMARQUE

Le test de blocage de l'aération doit être effectué lorsque le sèche-linge est froid. Si le sèche-linge chauffe après la vérification de l'installation, exécutez un cycle **AIR FLUFF (AIR FROID)** pendant plusieurs minutes, afin de réduire sa température interne.

Installation

Exécution du test de blocage de l'aération

1. Assurez-vous que le tambour est vide, puis fermez le hublot. (Si des vêtements ou d'autres articles se trouvent dans le tambour, les résultats du test ne seront pas précis.)
2. Appuyez sur le bouton **Marche/Arrêt** pour allumer le sèche-linge, puis maintenez simultanément enfoncés les boutons **Adjust Time (Réglage du temps)** et **Dryness (Séchage)** pendant 3 secondes. Le message « InS » apparaît sur l'écran du sèche-linge. (Si vous avez commencé d'autres procédures avant de lancer le test de blocage de l'aération, le sèche-linge n'entre pas en mode Test de blocage de l'aération.)
3. Appuyez sur le bouton **Départ/Pause (Appuyer Pour Départ)**. Le test de blocage de l'aération commence immédiatement. Pendant le test, le voyant numérique dessine un cercle en 6 étapes dans le sens horaire. Le test dure environ 2 minutes. N'ouvrez pas le hublot pendant le test.
4. Au bout de 2 minutes, une fois le test terminé, les résultats s'affichent et le sèche-linge émet une mélodie. Si l'état du système de conduits est normal, « 0 » apparaît et le sèche-linge émet un signal de fin. Si l'évacuation du système de conduits ne peut pas se faire correctement, un code de vérification apparaît et le sèche-linge émet un signal d'alarme. Pour obtenir une description du code, reportez-vous à la section « **Codes de vérification de l'installation** » en page 31.
En cas de tout autre problème, un code d'erreur s'affiche à l'écran. Pour obtenir une description du code, reportez-vous à la section « **Codes d'erreur** » en page 48.
 - Pour arrêter ou annuler le test de blocage de l'aération, appuyez sur le bouton **Marche/Arrêt** pour éteindre le sèche-linge.
 - Le résultat reste affiché à l'écran pendant environ 5 minutes, puis s'efface automatiquement. Vous pouvez effacer les résultats immédiatement en appuyant sur le bouton **Marche/Arrêt**.

REMARQUE

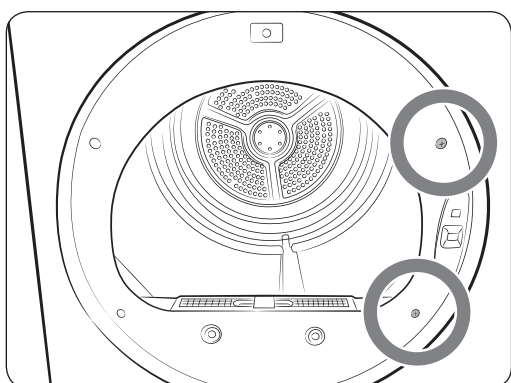
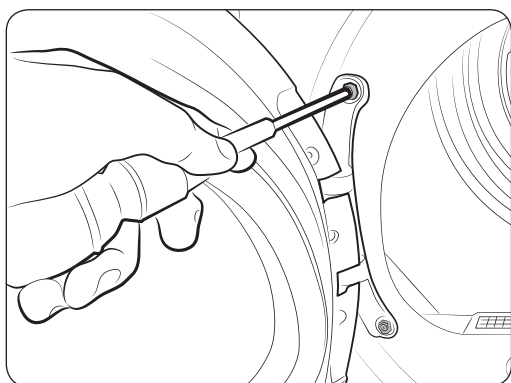
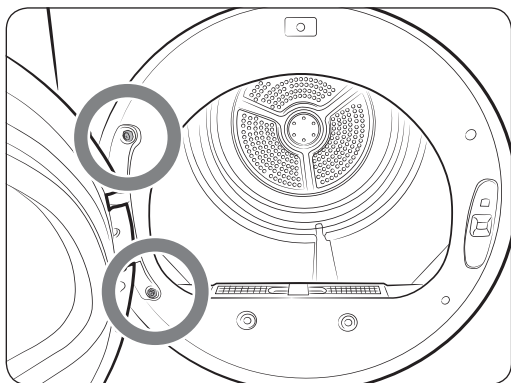
- Pendant ou après le test, le tambour interne est chaud. Faites attention à ne pas vous brûler. Le test de blocage de l'aération est utilisé pour vérifier l'absence de problèmes dans le système de conduits actuel lorsque le sèche-linge est installé pour la première fois.
- Si le résultat du test affiche un code de vérification (le système de conduits est obstrué), reportez-vous à la section « **Conditions requises en matière de conduits** » en page 14 et à la section « **Guide d'installation du conduit d'évacuation** » ci-dessous. Prenez ensuite les mesures appropriées pour corriger tout problème. Si le test est interrompu, il pourrait fournir des résultats incorrects. Suivez les procédures appropriées lorsque vous testez le sèche-linge.
- Même si le résultat du test est normal (« 0 »), le système de conduits pourrait être légèrement bloqué. Installez correctement tous les conduits conformément aux instructions d'installation indiquées dans ce manuel.

Codes de vérification de l'installation

Code de contrôle	Signification	Solution
0	Le système de ventilation est en bon état.	
C80 (C8)	Le système de ventilation est obstrué à environ 80 %. (Cela risquerait de réduire les performances de séchage.)	<ol style="list-style-type: none"> 1. Nettoyez le filtre à peluches. 2. Vérifiez l'état de votre système de ventilation. (Reportez-vous à la section « Conditions requises en matière de conduits »)
C90 (C9)	Le système de ventilation est obstrué à plus de 90 %. (Cela risquerait de provoquer une dégradation des performances de séchage ou un dysfonctionnement.)	* Vous devez prendre les mesures appropriées (par ex. nettoyage) en faisant appel à du personnel expérimenté.
Ct	La température interne du sèche-linge est trop basse (inférieure à 32 °F (0 °C)) ou trop élevée (supérieure à 104 °F (40 °C)). Si le système de ventilation présente une obstruction, celle-ci ne pourra donc pas être détectée.	Laissez le sèche-linge à température ambiante (entre 41 et 95 °F (5 et 35 °C)) pendant une heure, puis vérifiez à nouveau.
tC	Erreur du capteur de température	Communiquez avec un centre de dépannage.
C1	L'appareil détecte la présence d'articles dans le tambour ou il y a une erreur sur le capteur de séchage.	Sortez les articles du tambour et vérifiez à nouveau. Si le problème persiste, communiquez avec un centre de dépannage.
dC	L'appareil détecte que le hublot est ouvert	Fermez correctement le hublot et vérifiez à nouveau. Si le problème persiste, communiquez avec un centre de dépannage.
9C1	Tension anormale détectée	Vérifiez le raccordement électrique. (Reportez-vous à la section « Câblage électrique ») Si le problème persiste, communiquez avec un centre de dépannage.
HC	Détection d'une température anormale dans le tambour.	Vérifiez le raccordement électrique. Vérifiez l'état de l'aération. Si le problème persiste, contactez un centre de service.

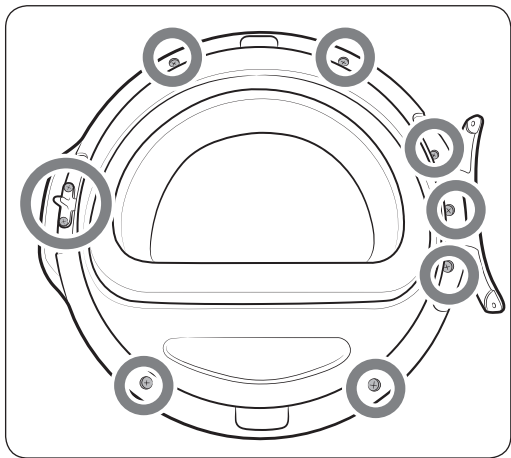
Installation

Changement de position de la porte

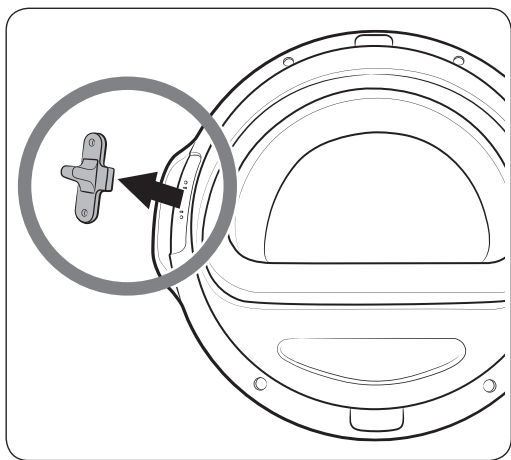


Pour inverser la direction de la porte, nous vous recommandons de contacter un technicien qualifié.

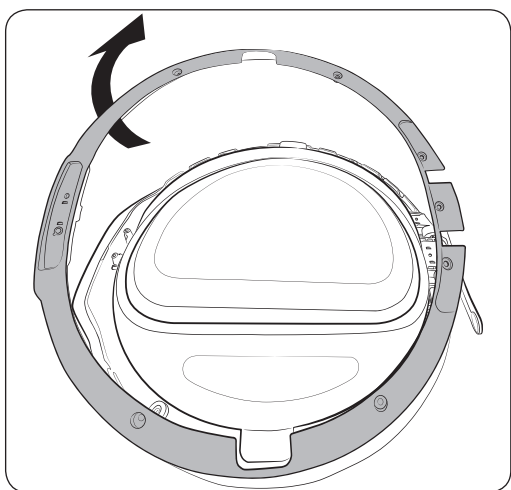
1. Débranchez le cordon d'alimentation du sèche-linge.
2. Retirez les deux vis des charnières du hublot, puis enlevez le hublot en le soulevant légèrement.
3. Retirez les deux vis sur le côté opposé de la charnière du hublot.



4. Repérez et retirez les 9 vis au niveau du hublot, comme indiqué.

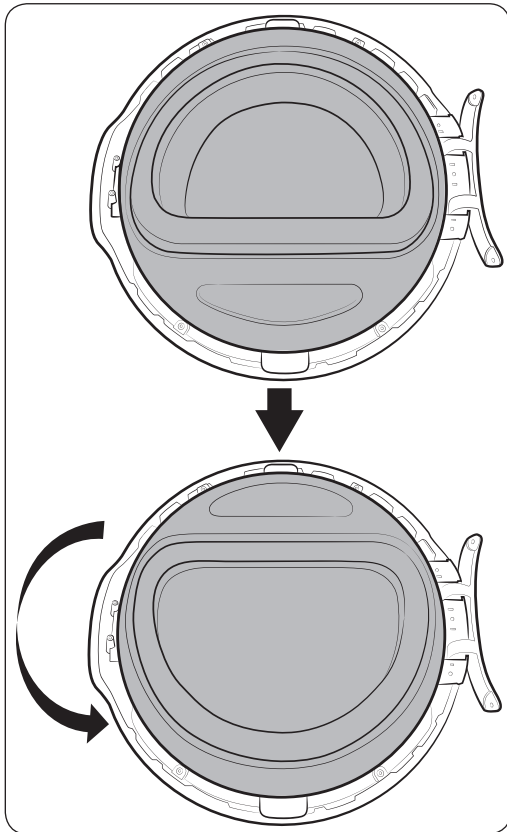


5. Retirez le dispositif de fermeture du hublot.

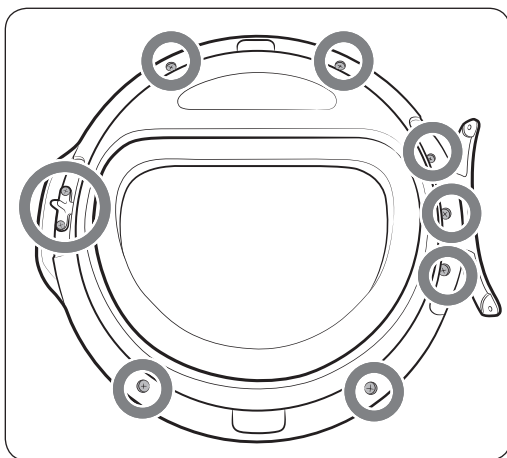


6. Retirez le cadre du hublot.

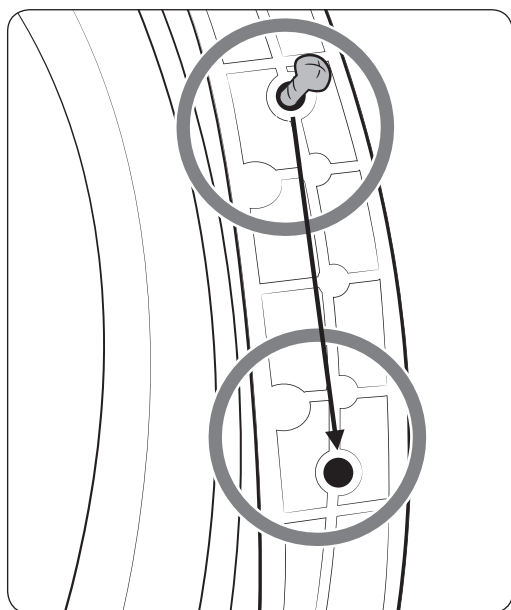
Installation



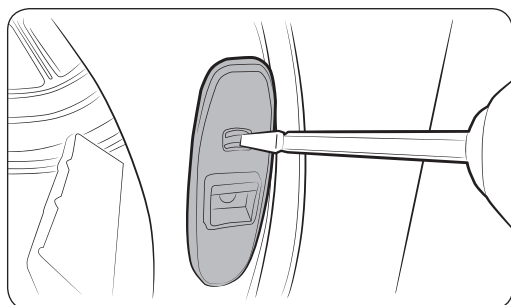
7. Faites tourner le verre du hublot de 180°.



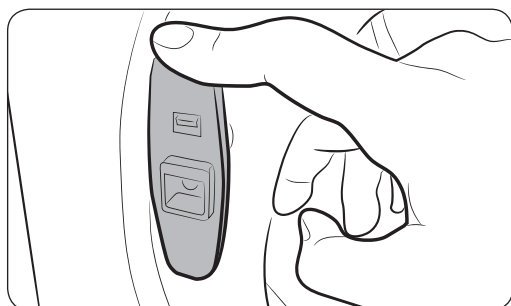
8. Réassemblez le cadre et le dispositif de fermeture du hublot.



9. Déplacez l'emplacement des vis, utilisées pour fixer la charnière du hublot en place, comme indiqué.

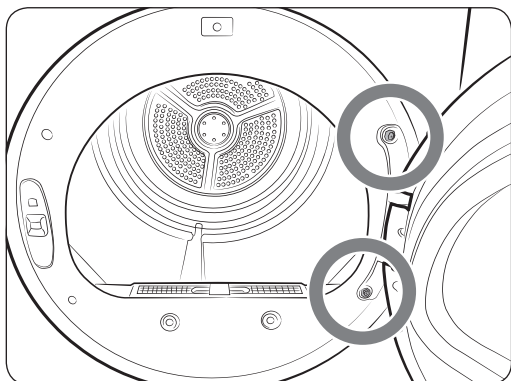


10. Retirez le cache du dispositif de fermeture en appuyant le crochet dessus.

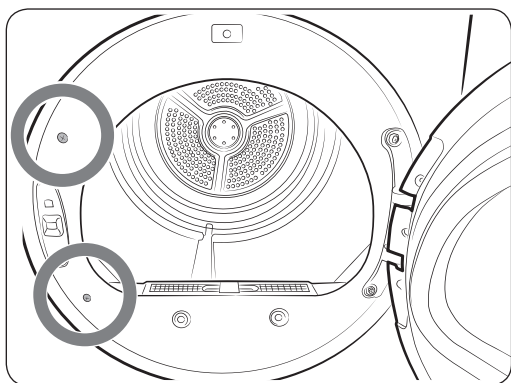


11. Installez le support du dispositif de fermeture de l'autre côté, comme indiqué.

Installation



- 12.** Insérez et serrez les deux vis de charnière.



- 13.** Insérez et serrez les deux vis sur le côté opposé de la charnière du hublot.

Avant de démarrer

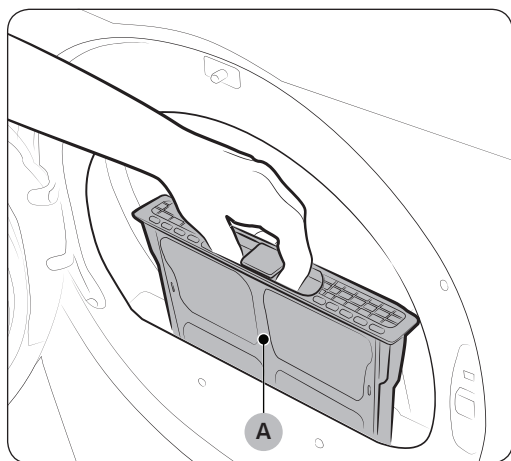
Il y a un certain nombre de choses que vous devez savoir avant de démarrer votre sèche-linge.

Tri et charge

- Mettez une seule charge de linge à la fois dans le sèche-linge.
- Ne mélangez pas du linge lourd et du linge léger.
- Pour augmenter l'efficacité de séchage pour un ou deux vêtements, ajoutez une serviette sèche à la charge.
- Pour obtenir des résultats optimaux, démêlez le linge avant de l'introduire dans le sèche-linge.
- Une surcharge peut réduire l'action du tambour et ainsi entraîner un séchage inégal et altérer l'effet anti-froissage.
- Sauf indication contraire sur l'étiquette d'entretien, ne faites pas sécher des vêtements en laine ou en fibre de verre au sèche-linge.
- Évitez de faire sécher au sèche-linge des vêtements qui n'ont pas été lavés.
- Ne faites pas sécher des vêtements salis avec de l'huile, de l'alcool, de l'essence, etc.

Conditions de fonctionnement préalables

Filtre à peluches



Pour éviter tout risque d'incendie, assurez-vous de nettoyer le filtre à peluches avant ou après chaque charge.

1. Éteignez le sèche-linge.
2. Ouvrez le hublot et retirez le **filtre à peluches (A)** de l'intérieur du tambour.
3. Retirez les peluches qui se sont accumulées, puis nettoyez le filtre à peluches.
4. Réinsérez le filtre à peluches, puis fermez la porte.

⚠ ATTENTION

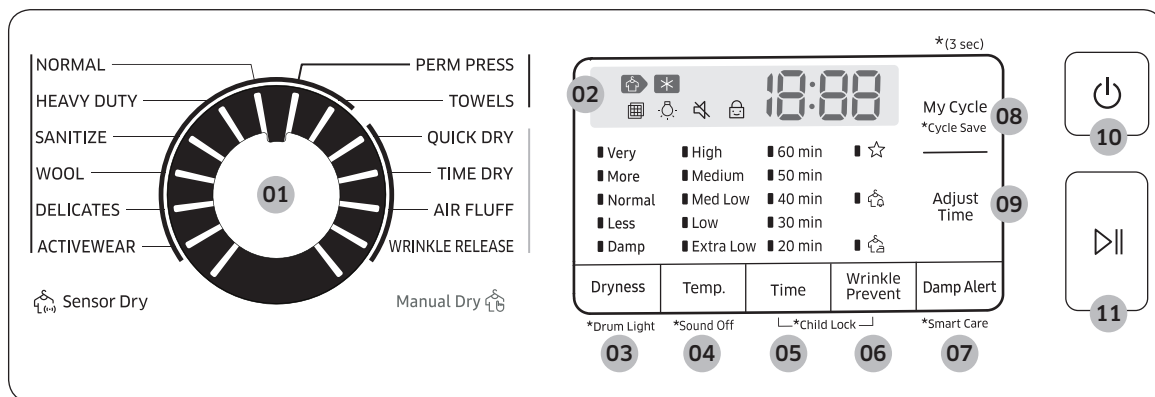
- Ne faites pas fonctionner le sèche-linge si le filtre à peluches n'est pas remis en place.
- N'utilisez pas un filtre à peluches endommagé ou cassé. Cela peut réduire les performances et/ou entraîner un incendie.

Opérations

⚠ AVERTISSEMENT

Afin de réduire le risque d'incendie, d'électrocution ou de blessures, consultez la section « Consignes de sécurité » avant d'utiliser cet appareil.

Panneau de commande



01 Sélecteur de cycle	Faites tourner le sélecteur de cycle pour sélectionner un cycle souhaité. Lorsqu'un cycle est sélectionné, le voyant du cycle s'allume.
02 Affichage numérique	Affiche toutes les informations du cycle, notamment sa durée, son code d'information, son état de fonctionnement et ses témoins.
03 Dryness (Séchage)	<p>Appuyez pour ajuster le niveau de séchage pour les cycles Sensor Dry (Séchage à capteur). Le voyant correspondant s'allume.</p> <ul style="list-style-type: none"> • Pour obtenir un séchage parfait sur des volumes de linge plus importants, vous pouvez utiliser les paramètres Very (Très sec) ou More (Plus sec). • La configuration Less (Moins sec) convient mieux aux tissus légers ou pour laisser un peu d'humidité sur les vêtements à la fin du programme. • Le paramètre Damp (Légèrement humide) a été conçu pour sécher partiellement le linge. Utilisez-le pour les articles qui doivent finir de sécher à plat ou en suspension. <p>REMARQUE Cette option n'est pas disponible avec SANITIZE (STÉRILISATION), WOOL (LAINE) et ACTIVEWEAR (VÊTEMENTS DE SPORT).</p>

04 Temp.	<p>Appuyez pour modifier la température du cycle actuel.</p> <ul style="list-style-type: none"> • High (Élevée) : Pour le linge en coton résistant ou portant l'étiquette Séchage en machine autorisé. • Medium (Moyenne) : Pour les tissus infroissables, le synthétique, les cotons légers et le linge portant l'étiquette Séchage en machine à température moyenne. • Med Low (Moyenne faible) : Pour une chaleur inférieure au paramètre Medium (Moyenne). Adaptée aux tissus synthétiques et lainages lavables. • Low (Basse) : Pour les articles sensibles à la chaleur, dont l'étiquette indique Séchage en machine à froid ou tiède. • Extra Low (Très basse) : Séchage à la plus basse température possible.
05 Time (Temps)	<p>Appuyez pour ajuster le temps de séchage pour les cycles Manual Dry (Séchage manuel). Cette fonction n'est pas disponible avec les cycles Sensor Dry (Séchage par capteur) car le sèche-linge détermine le temps de séchage en détectant le niveau d'humidité actuel du linge.</p>
06 Wrinkle Prevent (Anti-froissage)	<p>La fonction Wrinkle Prevent (Anti-froissage) assure environ 180 minutes de rotation à froid par intermittence à la fin du cycle pour éviter de froisser le linge. Appuyez sur Wrinkle Prevent (Anti-froissage) pour activer cette fonction. Une fois que le linge est sec, vous pouvez le retirer à tout moment du sèche-linge pendant le cycle Wrinkle Prevent (Anti-froissage).</p>
07 Damp Alert (Alerte d'humidité)	<p>Damp Alert (Alerte d'humidité) vous avertit lorsque le niveau de séchage moyen d'une charge est sec humide (80 % de séchage). Cela vous permet de prendre les vêtements que vous ne souhaitez pas entièrement secs ou qui séchent rapidement hors du sèche-linge tout en permettant aux autres de continuer à sécher.</p> <p>Vous pouvez sélectionner cette fonction dans tous les programmes Sensor Dry (Séchage à capteur) à l'exception de SANITIZE (STÉRILISATION), WOOL (LAINE) et ACTIVEWEAR (VÊTEMENTS DE SPORT). Les niveaux de séchage disponibles sont Normal Dry (Normal), More Dry (Plus sec) et Very Dry (Très sec).</p>
08 My Cycle (Mon cycle)	<p>Choisissez votre cycle favori, y compris sa durée, la température et le niveau de séchage. Reportez-vous à la section « My Cycle (Mon cycle) ☆ » pour en savoir plus.</p>
09 Adjust Time (Réglage du temps)	<p>Vous pouvez modifier la durée réglée pour les cycles Manual Dry (Séchage manuel). Pour modifier la durée du cycle, appuyez sur Adjust Time (Réglage du temps), jusqu'à ce que la durée souhaitée s'affiche.</p>










Opérations

10 Marche/Arrêt	Appuyez pour allumer/éteindre le sèche-linge.
11 Démarrer/Pause	Appuyez pour démarrer ou terminer une opération.

REMARQUE

Les vêtements extrêmement emmêlés finis par le lave-linge peuvent dégrader l'efficacité de séchage ou entraîner l'ouverture de la porte. Nous vous recommandons de démêler les vêtements avant de procéder au séchage.

Témoins

	Séchage		Child Lock (Sécurité enfant)
	Refroidissement		My Cycle (Mon cycle)
	Vérification du filtre		Damp Alert (Alerte d'humidité)
	Drum Light (Éclairage du tambour)		Wrinkle Prevent (Anti-froissage)
	Sound Off (Arrêt son)		

Étapes simples pour commencer

1. Appuyez sur le bouton **Marche/Arrêt** pour allumer le sèche-linge.
2. Faites tourner le **Sélecteur de cycle** pour sélectionner un cycle.
3. Modifiez les paramètres du cycle (**Dryness (Séchage)**, **Temp.** et **Time (Temps)**) selon les besoins.
4. Facultativement, vous pouvez activer des options parmi celles disponibles en appuyant sur le bouton correspondant. (**Adjust Time (Réglage du temps)**, **Wrinkle Prevent (Anti-froissage)**, et/ou **Damp Alert (Alerte d'humidité)**)
5. Appuyez sur le bouton **Start/Pause (Démarrer/Pause)**. Le voyant du sèche-linge s'allume avec une durée de cycle estimée affichée à l'écran.

Pour changer de cycle pendant l'utilisation

1. Appuyez sur le bouton **Start/Pause (Démarrer/Pause)** pour arrêter le fonctionnement.
2. Sélectionnez un programme différent.
3. Appuyez de nouveau sur le bouton **Start/Pause (Démarrer/Pause)** pour démarrer le nouveau programme.

Présentation des cycles

Sensor Dry (Séchage à capteur)

Les cycles Sensor Dry (Séchage à capteur) calculent le taux d'humidité du linge et arrêtent le sèche-linge une fois que le linge atteint le niveau de séchage que vous avez sélectionné avec Dryness (Séchage).

Programme	Description
NORMAL	Pour la plupart des tissus y compris le coton et le lin.
HEAVY DUTY (GRAND RENDEMENT)	Pour le séchage du linge composé de tissus épais, tels que les jeans, le velours côtelé ou les vêtements de travail avec un chauffage à haute température.
SANITIZE (STÉRILISATION)	Utilisez cette fonction pour stériliser les articles en appliquant une température élevée sur le tissu. Ce cycle peut assouplir les vêtements et réduire les odeurs.
WOOL (LAINE)	Lainages lavables en machine et séchables en sèche-linge uniquement.
DELICATES (DÉLICATS)	Pour les vêtements sensibles à la chaleur à une faible température de séchage.
ACTIVEWEAR (VÊTEMENTS DE SPORT)	Pour laver les vêtements de sports et d'extérieur tels que les maillots, les shorts, les vestes imperméables et autres. Les tissus épais comme une fermeture éclair ou le Velcro d'une veste, ou des chaussettes de sport peuvent ne pas être complètement séchés.
PERM PRESS (INFROISSABLES)	Ce cycle permet le séchage automatique des tissus infroissables en coton, synthétique et lainage.
TOWELS (SERVIETTES)	Serviettes et linge de bain

Manual Dry (Séchage manuel)

Vous pouvez modifier les paramètres de séchage manuellement selon vos préférences.

Cycle	Description
QUICK DRY (SÉCHAGE RAPIDE)	Un cycle de séchage rapide qui dure 30 minutes.
TIME DRY (TEMPS DE SÉCHAGE)	Vous pouvez spécifier une durée de cycle en minutes.
AIR FLUFF (AIR FROID)	Fait tourner le linge avec de l'air à température ambiante.
WRINKLE RELEASE (DÉFROISSAGE)	Le cycle WRINKLE RELEASE (DÉFROISSAGE) permet de défroisser les vêtements propres, secs et légèrement froissés (ex. : vêtements provenant d'une armoire ou d'une valise bien remplie ou ayant été laissé dans le sèche-linge trop longtemps après la fin du cycle). WRINKLE RELEASE (DÉFROISSAGE) peut être utilisé avec toute sélection de température.

Opérations

Guide des cycles

La meilleure méthode pour faire sécher du linge est de suivre les instructions indiquées sur l'étiquette d'entretien. Si aucune instruction de séchage n'est fournie, reportez-vous au tableau suivant pour référence.

Cycle	Description
Couvre-lits et couettes	Suivez les instructions figurant sur l'étiquette d'entretien ou séchez à l'aide du cycle NORMAL. <ul style="list-style-type: none"> Assurez-vous que l'article est complètement sec avant de l'utiliser ou de le ranger. Il est parfois nécessaire de repositionner l'article dans le tambour pour assurer un séchage homogène.
Couvertures	Utilisez le cycle NORMAL et ne séchez qu'une couverture à la fois pour garantir un séchage optimal. <ul style="list-style-type: none"> Assurez-vous que les couvertures sont complètement sèches avant de les utiliser ou de les ranger.
Rideaux et tentures	Utilisez PERM PRESS (INFROISSABLES) et le paramètre de température Medium (Moyenne) pour réduire le froissage. <ul style="list-style-type: none"> Faites sécher vos rideaux et tentures par petites charges pour des résultats optimaux et retirez-les du sèche-linge dès que possible après la fin du cycle.
Couches en tissu	Utilisez le cycle NORMAL et le paramètre de température High (Élevée) pour les couches ouatées et duveteuses.
Articles garnis de duvet (vestes, sacs de couchage, couettes, etc.)	Utilisez le cycle NORMAL et le paramètre de température Medium (Moyenne). <ul style="list-style-type: none"> Ajoutez quelques serviettes sèches pour absorber l'humidité et réduire le temps de séchage.
Caoutchouc mousse (tapis, peluches, épaulettes, etc.)	Ne faites pas sécher ces articles à chaud. Utilisez le cycle AIR FLUFF (AIR FROID). ⚠ AVERTISSEMENT Sécher un article à base de caoutchouc à chaud risque de l'endommager ou de provoquer un incendie.
Oreillers	Utilisez le cycle NORMAL. <ul style="list-style-type: none"> Ajoutez quelques serviettes sèches et une paire de baskets propres pour favoriser l'action du tambour et dépelucher les oreillers. Ne faites pas sécher des oreillers à base de capoc ou de mousse avec un cycle de séchage à chaud. Vous pouvez faire sécher ces articles uniquement si vous utilisez le cycle AIR FLUFF (AIR FROID).
Plastiques (rideaux de douche, bâches, etc.)	Utilisez le cycle AIR FLUFF (AIR FROID) ou TIME DRY (TEMPS DE SÉCHAGE) et les paramètres de température Low (Basse) ou Extra Low (Très basse), en fonction des instructions de l'étiquette d'entretien.

⚠ AVERTISSEMENT

Ne faites pas sécher :

- Articles en fibre de verre (rideaux, tentures, etc.).
- des lainages, sauf indication contraire sur l'étiquette
- des articles imprégnés d'huile végétale ou alimentaire

Fonctions spéciales

Child Lock (Sécurité enfant)

Cette fonction empêche les enfants de jouer avec le sèche-linge. Lorsque la fonction Sécurité enfant est activée, seul le bouton **Marche/Arrêt** est opérationnel.

Pour activer/désactiver la fonction Sécurité enfant, maintenez les boutons **Time (Temps)** et **Wrinkle Prevent (Anti-froissage)** simultanément enfoncés pendant 3 secondes.

REMARQUE

Une fois la fonction Sécurité enfant activée, elle reste active même après avoir redémarré le sèche-linge. Si les boutons, à l'exception du bouton **Marche/Arrêt**, ne répondent pas, vérifiez le voyant Sécurité enfant. Si le voyant est allumé, suivez les consignes ci-dessus pour désactiver la fonction Sécurité enfant.

Drum Light (Éclairage du tambour)

Pour allumer l'éclairage du tambour pendant que le sèche-linge est en marche, maintenez **Dryness (Séchage)** enfoncé pendant 3 secondes.

REMARQUE

Après 2 minutes d'inactivité, la lumière du tambour s'éteint automatiquement.

Son activé/désactivé

Pour désactiver les signaux sonores et les mélodies de notification du sèche-linge, maintenez **Temp. (Température)** enfoncé pendant 3 secondes.

Pour réactiver le son du sèche-linge, maintenez à nouveau **Temp. (Température)** enfoncé pendant 3 secondes.

REMARQUE

Cette fonction reste active même après avoir redémarré le sèche-linge.

My Cycle (Mon Cycle)

Vous pouvez créer votre propre cycle contenant vos réglages de préférence et l'utiliser à votre guise.

1. Faites tourner le **Sélecteur de cycle** pour sélectionner un cycle. Le voyant du cycle s'allume.
2. Réglez ou modifiez les paramètres (**Dryness (Séchage)**, **Temp.**, **Time (Temps)**, etc.) et/ou les options, tel que nécessaire. Chaque voyant correspondant clignote.
3. Appuyez et maintenez enfoncé **My Cycle (Mon cycle)** pendant 3 secondes.

Le sèche-linge stocke le cycle sélectionné avec ses paramètres.

Pour utiliser My Cycle (Mon cycle), appuyez sur **My Cycle (Mon cycle)**.

REMARQUE

La fonction WRINKLE PREVENT (ANTI-FROISSAGE) n'est pas disponible avec Mon cycle.

Opérations

Smart Care

Si le sèche-linge affiche un code d'information, vous pouvez utiliser Smart Care pour vérifier le statut du sèche-linge sur un smartphone. Pour utiliser Smart Care, vous devez avoir l'application Samsung Smart Care installée sur votre smartphone.

REMARQUE

Smart Care est optimisé pour les téléphones Samsung Galaxy et Apple iPhones. (Non compatible avec certains modèles).

Téléchargez l'application Samsung Smart Washer depuis Google Play Store ou depuis Apple App Store (mot-clé de recherche : « **Samsung Smart Washer/Dryer** ») et installez-la sur votre smartphone.

Si un code d'information apparaît sur le sèche-linge, suivez ces étapes :

1. Appuyez et maintenez enfoncé **Damp Alert (Alerte d'humidité)** pendant 3 secondes pour activer Smart Care.
2. Ouvrez l'application Smart Care sur votre smartphone.
3. Mettez l'appareil photo du smartphone proche de l'écran du sèche-linge. L'application reconnaît automatiquement le code d'information et affiche des suggestions sur votre smartphone.
4. Si le smartphone ne parvient pas à reconnaître le code d'information à plus de deux reprises, saisissez le code d'information manuellement dans l'application Smart Care.

ATTENTION

- Si de la lumière se reflète sur l'écran du sèche-linge, le smartphone peut ne pas reconnaître le code d'information.
- Si vous tenez le smartphone à un certain angle par rapport à l'écran du sèche-linge, votre smartphone peut ne pas reconnaître le code d'information. Pour de meilleurs résultats, maintenez le smartphone de sorte que l'avant du panneau et le smartphone soient parallèles ou quasiment.
- Après avoir utilisé cette fonction, le sèche-linge supprimera l'enregistrement du code d'information dans son journal de codes.

Entretien

Maintenez le sèche-linge propre afin d'éviter de dégrader ses performances et d'allonger sa durée de vie.

AVERTISSEMENT

La mise à la terre de certaines pièces internes n'a volontairement pas été effectuée; ces éléments peuvent donc présenter un risque d'électrocution (lors de l'entretien uniquement).

Technicien de maintenance - Ne touchez pas les pièces suivantes lorsque l'appareil est sous tension: Panneau de commande et vanne d'arrivée d'eau.

Nettoyage

Panneau de commande

- Nettoyez-le avec un chiffon doux et humide. N'utilisez pas de produits abrasifs.
- Ne vaporisez pas d'agents de nettoyage liquides directement sur l'écran du sèche-linge.
- Certains détachants pour tissu peuvent endommager le panneau de commande.
- Lors de l'utilisation d'agents de nettoyage liquides, appliquez-les sur le chiffon de nettoyage. Ne les appliquez pas directement sur le sèche-linge. Essuyez immédiatement toute éclaboussure ou vaporisation en excès.

Tambour

- Enlevez les tâches sur le tambour avec un détachant universel.
- Frottez ensuite avec une vieille serviette ou un chiffon, pour retirer toute substance restante (tache ou détachant). Les taches peuvent être encore visibles, mais n'affecteront pas les charges suivantes.

Tambour en acier inoxydable

Pour nettoyer un tambour en acier inoxydable, utilisez un chiffon humide imprégné d'un nettoyant doux et non abrasif adapté aux surfaces facilement marquées. Retirez les résidus de détergent et essuyez avec un chiffon propre.

Extérieur du sèche-linge

- Nettoyez-le avec un chiffon doux et humide. N'utilisez pas de produits abrasifs.
- Protégez la surface des objets pointus.
- N'entreposez pas d'objets lourds (ex. : baril de lessive) ou à arêtes tranchantes sur le sèche-linge. Ceci risquerait de rayer ou d'endommager le capot supérieur du sèche-linge.
- L'habillage de l'ensemble du sèche-linge est lisse et brillant. Faites attention à ne pas rayer ou endommager la surface.


Système d'évacuation

- Vérifiez et nettoyez le système d'évacuation tous les ans ou régulièrement afin de conserver des performances optimales.
- La hotte externe doit être nettoyée plus fréquemment pour garantir une bonne circulation de l'air.

Dépannage

Contrôles à effectuer

Si le sèche-linge ne fonctionne pas normalement, vérifiez tout d'abord la liste des problèmes dans le tableau ci-dessous et essayez les solutions proposées.

Problème	Action
Le sèche-linge ne démarre pas.	<ul style="list-style-type: none"> Assurez-vous que le sèche-linge est branché. Assurez-vous que le hublot est correctement fermé. Vérifiez le fusible ou réinitialisez le disjoncteur. Si vous avez ouvert le hublot pendant un cycle, appuyez doucement sur . Nettoyez le filtre. Assurez-vous que Sécurité enfant n'est pas activé.
Le sèche-linge ne chauffe pas.	<ul style="list-style-type: none"> Vérifiez le disjoncteur et les fusibles de votre domicile. Certains cycles ne nécessitent pas de chauffage. Vérifiez à nouveau le cycle sélectionné. Sur un sèche-linge à gaz, vérifiez que l'alimentation en gaz est ouverte. Nettoyez le filtre à peluches et le conduit d'évacuation. Le sèche-linge est peut-être en phase de refroidissement du cycle.
Le linge n'est pas sec.	<p>Vérifiez tous les points mentionnés ci-dessus. De plus :</p> <ul style="list-style-type: none"> Vérifiez que la hotte extérieure s'ouvre et se ferme sans problème. Vérifiez que des peluches ne se sont pas accumulées dans le système d'évacuation. Le conduit doit être inspecté et nettoyé une fois par an. Utilisez un conduit d'évacuation métallique rigide de 4 pouces. Évitez de surcharger le tambour. 1 charge de linge lavée = 1 charge de linge à sécher. Séchez le linge épais et le linge léger séparément. Il est parfois nécessaire de repositionner dans le sèche-linge les articles volumineux, comme les couvertures ou les couettes, pour assurer un séchage homogène. Vérifiez que votre sèche-linge essore correctement le linge et évacue la quantité d'eau adéquate. La charge de linge est peut-être insuffisante pour que l'action du tambour soit efficace. Ajoutez quelques serviettes et relancez le cycle. La charge de linge est peut-être trop importante pour que l'action du tambour soit efficace. Retirez du linge et relancez le sèche-linge. Nettoyez le filtre à peluches.

Problème	Action
Le sèche-linge est trop bruyant.	<ul style="list-style-type: none"> • Vérifiez s'il y a des pièces de monnaie, boutons détachés, clous ou autres objets et retirez-les immédiatement. • Vérifiez le filtre à peluches. Retirez les articles qui sont coincés à l'intérieur du filtre à peluches. • Assurez-vous que le sèche-linge est de niveau et repose fermement sur le sol. • Il est possible que le sèche-linge bourdonne à cause de l'air circulant dans le tambour et le ventilateur. Cette situation est normale. • Il est normal d'entendre la mise en marche et l'arrêt du robinet de gaz du sèche-linge (le cas échéant) ou du système de chauffage, tout au long du programme de séchage.
Le linge n'a pas été séché uniformément.	<ul style="list-style-type: none"> • Les coutures, poches et autres parties des vêtements sont plus difficiles à sécher que d'autres. Cette situation est normale. • Triez les articles lourds et légers séparément.
Le sèche-linge dégage une odeur.	<ul style="list-style-type: none"> • Il est possible que l'odeur de peinture, de vernis, d'agent nettoyant et d'autres produits ménagers ait circulé dans l'air et ait pénétré dans le sèche-linge. Si vous remarquez une telle odeur, aérez complètement avant d'utiliser le sèche-linge. • Si vous effectuez le séchage dans un lieu clos, le sèche-linge pourrait provoquer l'augmentation de la température ambiante. Par conséquent, veillez à ouvrir une fenêtre et à aérer la pièce. • N'essayez pas de faire sécher des articles mouillés après les avoir laissés dans le lave-linge ou le sèche-linge pendant une période prolongée.
Le sèche-linge s'éteint avant que le linge ne soit sec.	<ul style="list-style-type: none"> • Il n'y a pas assez de linge. Insérez quelques articles supplémentaires comme des serviettes et réessayez de faire sécher.
Les vêtements comportent des peluches.	<ul style="list-style-type: none"> • Vérifiez toujours que le filtre à peluches est propre avant de mettre des articles dans le sèche-linge. Lorsque vous faites sécher des articles qui génèrent de grosses quantités de peluches, il se peut que vous deviez nettoyer le filtre à peluches pendant le cycle. • Certains tissus (comme les serviettes blanches) produisent plus de peluches et doivent être séchés séparément des tissus sur lesquels les peluches se déposent facilement (comme les pantalons noirs en lin). • Vérifiez l'intérieur des poches pour vous assurer qu'elles sont vides avant de lancer un cycle de séchage.

Dépannage

Problème	Action
Les articles sont encore froissés après un cycle Wrinkle Prevent (Anti-froissage) (Wrinkle Away (Défroissage), Wrinkle Release (Défroissage)).	<ul style="list-style-type: none"> • Chargez entre 1 et 4 articles pour plus d'efficacité. • Allégez la charge. Faites sécher des articles similaires. • Retirez les articles immédiatement après la fin du cycle de séchage.
De l'eau s'écoule par la buse au démarrage d'un cycle Vapeur.	<ul style="list-style-type: none"> • Il s'agit de la condensation de la vapeur. Ce phénomène s'arrête tout seul en peu de temps.
L'eau vaporisée est invisible lors des cycles Vapeur.	<ul style="list-style-type: none"> • Il est difficile de voir les minuscules gouttes d'eau vaporisées lorsque le hublot est fermé.
Durée prolongée.	<ul style="list-style-type: none"> • La fonction Sensor Dry (Séchage à capteur) calcule automatiquement le taux d'humidité du linge et arrête le sèche-linge une fois le degré souhaité de séchage (Séchage fort à Légèrement humide) atteint. La durée de séchage peut varier en fonction du type et de la quantité de linge. Consultez le tableau des cycles pour référence.

Si un problème persiste, contactez un service de service Samsung local.

Codes d'information

Si le sèche-linge ne parvient pas à fonctionner, vous pouvez voir un code d'information affiché à l'écran d'affichage. Pour déterminer ce que vous devez faire, vérifiez la liste de codes figurant dans le tableau ci-dessous, puis essayez les actions suggérées.

Code	Action
Le hublot est ouvert	Faire fonctionner le sèche-linge lorsque le hublot est ouvert. <ul style="list-style-type: none"> Assurez-vous que le hublot est correctement fermé. Assurez-vous que le linge n'est pas pris dans le hublot.
FC	Fréquence de source d'alimentation non valide <ul style="list-style-type: none"> Essayez de relancer le cycle. Si ce code d'information subsiste, contactez un centre de service Samsung.
AC	Problème de commande électronique (Communication invalide). <ul style="list-style-type: none"> Contactez un centre de service Samsung.
HC	Vérification du chauffage à haute température. <ul style="list-style-type: none"> Nettoyez le filtre à peluches. Si ce code d'information subsiste, contactez un centre de service Samsung.
9C1	Le contrôle électronique doit être vérifié. <ul style="list-style-type: none"> Vérifiez que le cordon d'alimentation est correctement branché. Vérifiez que la prise électrique fonctionne correctement. Si le code d'information subsiste, contactez un centre de service Samsung.
tC	La résistance de la thermistance ¹ est très faible ou très élevée. <ul style="list-style-type: none"> Vérifiez si le filtre à peluches est bouché. Vérifiez si les capacités du système d'aération sont réduites. Si ce code d'information subsiste, contactez un centre de service Samsung.
tC5	La résistance de la thermistance ² est très faible ou très élevée. <ul style="list-style-type: none"> Vérifiez si le filtre à peluches est bouché. Vérifiez si les capacités du système d'aération sont réduites. Si ce code d'information subsiste, contactez un centre de service Samsung.
dF	Interrupteur du hublot incorrect. <ul style="list-style-type: none"> Contactez un centre de service Samsung.





Si un code d'information demeure affiché sur l'écran, contactez un centre de service Samsung.

Caractéristiques techniques

Tableau des symboles d'entretien des textiles

Les symboles suivants fournissent des conseils d'entretien des vêtements. Les étiquettes d'entretien des vêtements incluent des symboles relatifs au séchage, au blanchiment, au repassage et au nettoyage à sec. L'utilisation de ces symboles garantit la cohérence des informations entre les fabricants de vêtements (articles domestiques ou importés). Suivez les instructions sur l'étiquette d'entretien afin d'optimiser la durée de vie de votre linge et d'éviter des problèmes au lavage.

Cycle de lavage

	Normal
	Infroissable/Anti-plis/Anti-froissage
	Délicat
	Lavage main




Température de l'eau

...	Chaude
..	Tiède
.	Froide

REMARQUE

Le tableau Température de l'eau répertorie les températures appropriées de l'eau de lavage pour divers articles. La plage de températures est comprise entre 41 et 52 °C (106 et 126 °F) pour Chaude, entre 29 et 41 °C (84 et 106 °F) pour Tiède et entre 16 et 29 °C (61 et 84 °F) pour Froide. (La température de l'eau de lavage doit être d'au moins 61 °F (16 °C) pour activer les agents nettoyants et obtenir un lavage efficace.)




Agent de blanchiment

	Tout type (si nécessaire)
	Agent de blanchiment non chloré (non décolorant) uniquement (si nécessaire)
	Séchage en machine




Normal

	Infroissable/Anti-plis/Anti-froissage
	Délicat




Consignes spéciales

	Séchage sur corde/en suspension
	Séchage sans essorage
	Séchage à plat






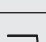
Température

	Élevée
	Moyenne
	Basse
	Toutes températures
	Sans chaleur/À l'air libre






Températures de repassage facile ou vapeur

	Élevée
	Moyenne
	Basse

Symboles d'avertissement pour le lavage

	Ne pas laver
	Ne pas tordre
	Pas de chlorage
	Séchage en machine interdit
	Pas de vapeur (ajoutée au fer à repasser)
	Pas de repassage

Nettoyage à sec autorisé

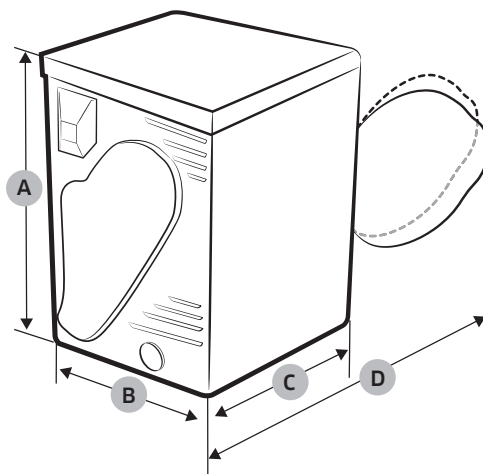
	Nettoyage à sec autorisé
	Nettoyage à sec interdit
	Séchage sur corde/en suspension
	Séchage sans essorage
	Séchage à plat

Protection de l'environnement

Cet appareil a été fabriqué à partir de matériaux recyclables. Si vous décidez de le jeter, veuillez respecter les normes locales en matière d'évacuation des déchets. Coupez le cordon d'alimentation de façon à ce que l'appareil ne puisse pas être raccordé à une source électrique. Enlevez le hublot pour que des animaux et des jeunes enfants ne se retrouvent pas piégés à l'intérieur de l'appareil.

Caractéristiques techniques

Fiche de spécifications



Type		Sèche-linge à chargement frontal
Dimensions (in. (mm))	A. Hauteur	33,5 (850)
	B. Largeur	23,6 (600)
	C. Profondeur	25,8 (655)
	D. Profondeur avec hublot ouvert à 90°	43,3 (1101)
Capacité (Cu.ft)		4,0
Poids net	lb (kg)	88 (40)
Puissance de chauffe (W)		750

Tableau des cycles

REMARQUE

Pour un résultat optimal, respectez ces recommandations de volume de charge pour chaque cycle de séchage.

- Charge importante : Remplissez le tambour aux 3/4 environ. Au-delà de cette limite, n'ajoutez pas d'articles supplémentaires afin que le linge tourne librement.
- ◐ Charge moyenne : Remplissez le tambour à la moitié environ.
- Petite charge : Remplissez le tambour de 3 à 5 articles (pas plus du 1/4).

Cycle		Articles recommandés	Volume de charge	Dryness (Séchage)
Sensor Dry (Séchage par capteur)	NORMAL	Coton, vêtements de travail, lin, charges mixtes	●	Séchage normal (réglable)
	HEAVY DUTY (GRAND RENDEMENT)	Pièces au tissu épais, tels que les jeans, les velours côtelés ou les vêtements de travail	●	Séchage normal (réglable)
	SANITIZE (STÉRILISATION)	Literie, rideaux, vêtements d'enfant	◐	Très sec (aucun changement)
	WOOL (LAINE)	Lainages lavable en machine et séchables en sèche-linge uniquement. (Charge maximale : 3 livres)	○	Séchage normal (aucun changement)
	DELICATES (DÉLICATS)	Sous-vêtements, chemisiers, lingerie	◐	Séchage normal (réglable)
	ACTIVEWEAR (VÊTEMENTS DE SPORT)	Vêtements imperméables, habits de scène, de sport	◐	Séchage normal (aucun changement)
	TOWELS (SERVIETTES)	Serviettes et linge de bain	●	Séchage normal (réglable)
	PERM PRESS (INFROISSABLES)	Chemises, tissus synthétiques, lainages, tissus infroissables en coton, tissus infroissables	◐	Séchage normal (réglable)
Manual Dry (Séchage manuel)	QUICK DRY (SÉCHAGE RAPIDE)	Petites charges	○	-
	TIME DRY (TEMPS DE SÉCHAGE)	Toute charge	●	-
	AIR FLUFF (AIR FROID)	Mousse, caoutchouc, matières plastiques	○	-
	WRINKLE RELEASE (DÉFROISSAGE)	Chemises, pantalons, chemisiers	○	-

Caractéristiques techniques

REMARQUE

- ● : réglage usine, ● : peut être sélectionné

Programme		Réglage de la température					Réglage de l'heure
		High (Élevée)	Medium (Moyenne)	Med Low (Moyen faible)	Low (Basse)	Extra Low (Très basse)	
Sensor Dry (Séchage par capteur)	NORMAL	-	●	-	-	-	-
	HEAVY DUTY (GRAND RENDEMENT)	●	-	-	-	-	-
	SANITIZE (STÉRILISATION)	●	-	-	-	-	-
	WOOL (LAINE)	-	-	-	●	-	-
	DELICATES (DÉLICATS)	-	-	-	-	●	-
	ACTIVWEAR (VÊTEMENTS DE SPORT)	-	-	-	●	-	-
	TOWELS (SERVIETTES)	●	-	-	-	-	-
Manual Dry (Séchage manuel)	PERM PRESS (INFROISSABLES)	-	●	-	-	-	-
	QUICK DRY (SÉCHAGE RAPIDE)	●	-	-	-	-	●
	TIME DRY (TEMPS DE SÉCHAGE)	●	●	●	●	●	●
	AIR FLUFF (AIR FROID)	-	-	-	-	-	●
	WRINKLE RELEASE (DÉFROISSAGE)	-	-	●	●	●	●

Programme		Damp Alert (Alerte d'humidité)	Wrinkle Prevent (Anti-froissage)	Adjust Time (Réglage du temps)
Sensor Dry (Séchage à capteur)	NORMAL	●	●	-
	HEAVY DUTY (GRAND RENDEMENT)	●	●	-
	SANITIZE (STÉRILISATION)	-	●	-
	WOOL (LAINE)	-	●	-
	DELICATES (DÉLICATS)	●	●	-
	ACTIVWEAR (VÊTEMENTS DE SPORT)	-	●	-
	TOWELS (SERVIETTES)	●	●	-
Manual Dry (Séchage manuel)	PERM PRESS (INFROISSABLES)	●	●	-
	QUICK DRY (SÉCHAGE RAPIDE)	-	●	●
	TIME DRY (TEMPS DE SÉCHAGE)	-	●	●
	AIR FLUFF (AIR FROID)	-	●	●
	WRINKLE RELEASE (DÉFROISSAGE)	-	●	●

Garantie (États-Unis)

SÈCHE-LINGE SAMSUNG

GARANTIE LIMITÉE POUR L'ACHETEUR INITIAL AVEC PREUVE D'ACHAT

Ce produit de la marque SAMSUNG, fourni, distribué par SAMSUNG ELECTRONICS AMERICA, INC. (SAMSUNG) et livré neuf à l'acheteur-consommateur initial, dans son emballage d'origine, s'accompagne d'une garantie de SAMSUNG contre tout vice de fabrication au niveau des pièces et de la main d'œuvre pendant une période limitée, commençant à la date d'achat initiale, de :

Un (1) an (pièces et main d'œuvre)

Cette garantie limitée ne s'applique qu'aux appareils achetés et utilisés aux États-Unis qui ont été installés, utilisés et entretenus conformément aux instructions jointes ou fournies avec l'appareil. Pour bénéficier de réparations dans le cadre de la présente garantie, l'acheteur doit contacter la société SAMSUNG à l'adresse ou au numéro de téléphone indiqués ci-dessous, afin qu'elle détermine l'origine du problème et une procédure de réparation. Les services de garantie peuvent être pris en charge uniquement par un centre de service agréé SAMSUNG. Lors de la remise d'un produit défectueux à SAMSUNG ou à un centre de service agréé SAMSUNG, l'acheteur est tenu de présenter le coupon d'achat d'origine sur demande, à titre de preuve d'achat, pour pouvoir bénéficier des services de garantie.

SAMSUNG assurera gratuitement un service à domicile au sein des États-Unis contigus durant la période de garantie, sous réserve de disponibilité des techniciens agréés SAMSUNG au sein de la zone géographique du client. Si le service à domicile n'est pas disponible, SAMSUNG peut, à sa propre discrétion, choisir de prendre à sa charge le transport aller/retour du produit vers un centre de service agréé. Si l'appareil se trouve dans une zone où le service par un technicien agréé SAMSUNG n'est pas disponible, il se peut que vous deviez prendre en charge des frais de transport ou transporter l'appareil vers un centre de service agréé SAMSUNG pour le faire réparer.

Pour bénéficier du service à domicile, l'appareil doit être situé dans un emplacement accessible à notre personnel.

Durant la période de garantie applicable, un appareil sera réparé, remplacé ou son prix d'achat remboursé, à la seule discrétion de SAMSUNG. Il se peut que SAMSUNG utilise des pièces neuves ou reconditionnées pour réparer un appareil, ou remplace l'appareil par un produit neuf ou reconditionné. Les pièces et appareils de rechange sont garantis pendant la partie restante de la période de garantie initiale de l'appareil, ou bien durant quatre-vingt-dix (90) jours, selon la période qui est la plus longue. Toutes les pièces et tous les produits remplacés sont la propriété de SAMSUNG et vous devez les retourner à SAMSUNG.

Garantie (États-Unis)

La présente garantie limitée couvre les vices de fabrication au niveau des pièces et de la main d'œuvre identifiés dans le cadre de l'utilisation domestique ou non-commerciale normale de l'appareil en question. Elle ne peut pas couvrir les choses suivantes : les dommages survenus lors de l'expédition, la livraison, l'installation et les utilisations prévues de cet appareil ; les dommages causés par une modification ou altération non autorisée de l'appareil ; les appareils dont les numéros de série d'origine apposés en usine ont été retirés, dégradés ou modifiés d'une quelconque façon ou encore difficilement lisibles ; les dommages esthétiques notamment rayures, piqûres, éclats et autres dommages sur la finition de l'appareil ; les dommages causés par un abus, une mauvaise utilisation, des infestations d'insectes, un accident, un incendie, une inondation ou d'autres catastrophes naturelles ou cas de force majeure ; les dommages causés par l'utilisation d'équipements, d'alimentations, de services, de pièces, de fournitures, d'accessoires, d'applications, d'installations, de réparations, de câblages externes ou connecteurs qui n'ont pas été fournis ou autorisés par SAMSUNG ; les dommages causés par un courant, une tension ou des fluctuations de courant incorrects ou par des surtensions ; les dommages causés par une utilisation et un entretien de l'appareil non conformes aux instructions ; les dommages liés à une instruction fournie à domicile concernant l'utilisation de votre appareil ; et une réparation visant à rectifier une installation n'étant pas conforme aux normes de branchements électriques et de plomberie, ou la correction des branchements électriques ou de plomberie (c.-à-d. câblage du domicile, fusibles, ou tuyaux d'arrivée d'eau). Le coût des réparations ou du remplacement dans le cadre de ces circonstances faisant l'objet d'une exclusion sera à la charge du client.

Les interventions de techniciens de maintenance destinées à expliquer les fonctions, la maintenance ou l'installation ne sont pas couvertes par la garantie. Veuillez prendre contact avec votre agent d'appel Samsung pour obtenir de l'aide sur l'une de ces questions.

EXCLUSION DES GARANTIES IMPLICITES

LES GARANTIES IMPLICITES, Y COMPRIS LES GARANTIES IMPLICITES DE QUALITÉ MARCHANDE OU D'ADÉQUATION À UN USAGE PARTICULIER, SONT LIMITÉES À UN AN OU À LA PLUS COURTE PÉRIODE AUTORISÉE PAR LA LOI. Certains États n'autorisent pas les limitations de durée d'une garantie implicite ; il se peut donc que les limitations ou exclusions spécifiées ci-dessus ne s'appliquent pas à votre cas. La présente garantie vous octroie des droits spécifiques. Il se peut que vous en ayez d'autres ; cela varie d'un État à un autre.

LIMITE DE RECOURS

VOTRE SEUL RECOURS EXCLUSIF EST UNE RÉPARATION DE L'APPAREIL, UN REMPLACEMENT DE L'APPAREIL OU UN REMBOURSEMENT DU PRIX D'ACHAT, À LA DISCRÉTION DE SAMSUNG, COMME ACCORDÉ DANS LE CADRE DE LA PRÉSENTE GARANTIE LIMITÉE. SAMSUNG NE POURRA ÊTRE TENUE RESPONSABLE DES DOMMAGES PARTICULIERS, ACCESSOIRES OU IMMATÉRIELS, NOTAMMENT MAIS SANS POUR AUTANT S'Y LIMITER LES TEMPS DE TRAJET DEPUIS LE LIEU DE TRAVAIL, LES FRAIS D'HÔTEL ET/ REPAS EN RESTAURANT, LES DÉPENSES DE RÉNOVATION, LES PERTES DE REVENUS OU DE BÉNÉFICES, L'IMPOSSIBILITÉ DE RÉALISER DES ÉCONOMIES OU AUTRES BÉNÉFICES QUELLE QUE SOIT LA THÉORIE JURIDIQUE SUR LAQUELLE LA RÉCLAMATION EST BASÉE, ET CE MÊME SI SAMSUNG A ÉTÉ AVERTI DE LA POSSIBILITÉ DE TELS DOMMAGES.

Certains États n'autorisent pas les exclusions ou limitations relatives aux dommages accessoires ou immatériels ; il se peut donc que les limitations ou exclusions spécifiées ci-dessus ne s'appliquent pas à votre cas. La présente garantie vous octroie des droits spécifiques. Il se peut que vous en ayez d'autres ; cela varie d'un État à un autre.

SAMSUNG ne garantit pas que l'appareil sera exempt de tout problème ou qu'il fonctionnera sans interruption. Aucune garantie, donnée par toute autre personne, entreprise ou une société quant à cet appareil, ne pourra être considérée comme un engagement pour SAMSUNG.

Pour bénéficier du service d'assistance couvert par votre garantie, contactez SAMSUNG à l'adresse suivante :

Samsung Electronics America, Inc.

85 Challenger Road

Ridgefield Park, NJ 07660

1-800-SAMSUNG (726-7864)

www.samsung.com/us/support

Garantie (CANADA)

SÈCHE-LINGE SAMSUNG

GARANTIE LIMITÉE À L'ACHETEUR INITIAL

Ce produit de la marque SAMSUNG, fourni, distribué par SAMSUNG ELECTRONICS CANADA, INC. (SAMSUNG) et livré neuf, dans son emballage d'origine à l'acheteur initial, est garanti par SAMSUNG contre tout défaut de fabrication relatif aux matériaux et à la qualité d'exécution, pour une période de garantie limitée de :

- Un (1) an (pièces et main d'œuvre)

Cette limite de garantie s'applique à compter de la date d'acquisition et couvre uniquement les produits achetés et utilisés au Canada.

Pour bénéficier de réparations dans le cadre de la présente garantie, l'acheteur doit contacter la société SAMSUNG afin qu'elle détermine l'origine du problème et une procédure de réparation.

Les services de garantie peuvent être pris en charge uniquement par un centre de service agréé SAMSUNG.

Lors de la remise d'un produit défectueux à SAMSUNG ou à un centre de service agréé SAMSUNG, l'acheteur est tenu de présenter le coupon d'achat d'origine à la demande des intéressés à titre de preuve d'achat.

SAMSUNG assurera un service de réparation gratuit à domicile pendant la période de garantie sujet à la disponibilité au Canada.

Le service à domicile n'est pas disponible pour toutes les zones.

Pour bénéficier du service à domicile, l'appareil doit être situé dans un emplacement accessible à notre personnel.

Si ce service n'est pas disponible, SAMSUNG peut choisir de prendre à sa charge le transport aller/retour du produit vers un centre de service agréé.

La société SAMSUNG prendra en charge, à sa convenance, la réparation, le remplacement ou le remboursement du produit tel que stipulé dans les présentes conditions et procédera au remplacement ou au reconditionnement des pièces ou des produits si ces derniers s'avèrent défectueux dans la limite de la période de garantie mentionnée précédemment.

Toutes les pièces et tous les produits remplacés deviennent la propriété de SAMSUNG et doivent être retournés à SAMSUNG.

La période de garantie qui s'applique aux pièces et produits remplacés est la période restante de la garantie initiale ou une période de quatre-vingt-dix (90) jours ; dans tous les cas, la période la plus longue des deux périodes susmentionnées s'applique.

La garantie limitée couvre les vices de fabrication relatifs aux matériaux et à la qualité d'exécution survenus dans le cadre d'une utilisation normale et non commerciale du produit et ne s'applique pas aux causes suivantes, comprenant, mais ne se limitant pas à : tout dommage survenant au cours de l'expédition, de la livraison et de l'installation ; toute utilisation de l'appareil contraire au but auquel il était destiné ; tout numéro de produit ou de série effacé ; tout dommage du revêtement extérieur ou de l'aspect du produit ; tout dommage causé par un accident, une utilisation non conforme, une négligence, un incendie ou une inondation, la foudre ou une autre catastrophe naturelle ; toute utilisation de produits, d'équipements, de systèmes, d'appareils, de services, de pièces, de fournitures, d'accessoires, d'applications, d'installations, de réparations, de câblages externes ou de connecteurs non fournis ou autorisés par SAMSUNG et susceptibles d'endommager ledit appareil ou de nuire à son fonctionnement ; toute surtension, fluctuation ou tension de ligne électrique incorrecte ; tout réglage effectué par l'acheteur et tout non-respect des consignes d'utilisation, d'entretien et de respect de l'environnement couvertes ou prescrites dans le présent carnet d'entretien ; tout démontage ou toute réinstallation de l'appareil ; tout problème résultant d'une prolifération d'insectes nuisibles.

Cette garantie limitée ne couvre pas les problèmes résultant d'un courant, d'une tension ou d'une alimentation électrique incorrects, ainsi que d'ampoules électriques, de fusibles ou de câblage inappropriés. Elle ne couvre pas non plus le coût des appels au service d'assistance pour obtenir des instructions ou la réparation des erreurs d'installation. SAMSUNG ne garantit pas que l'appareil sera exempt de tout problème ou qu'il fonctionnera sans interruption.

SAUF EXCEPTION MENTIONNÉE DANS LE PRÉSENT DOCUMENT, SAMSUNG NE FOURNIT AUCUNE GARANTIE EXPRESSE OU IMPLICITE QUANT À CET APPAREIL, Y COMPRIS, MAIS SANS S'Y LIMITER, LES GARANTIES IMPLICITES DE QUALITÉ MARCHANDE, DE CONTREFAÇON OU D'APTITUDE À UN USAGE PARTICULIER.

AUCUNE GARANTIE, QU'ELLE SOIT DONNÉE PAR UN TIERS, UNE ENTREPRISE OU UNE PERSONNE MORALE, NE POURRA ÊTRE CONSIDÉRÉE COMME UN ENGAGEMENT VIS-À-VIS DE SAMSUNG.

SAMSUNG NE SERA AUCUNEMENT RESPONSABLE EN CAS DE PERTE DE BÉNÉFICES, DE MANQUE À GAGNER, D'INCAPACITÉ À RÉALISER DES ÉCONOMIES OU TOUT AUTRE AVANTAGE FINANCIER OU D'AUTRES DOMMAGES SPÉCIAUX, ACCESSOIRES OU INDIRECTS RÉSULTANT DE L'UTILISATION OU D'UNE MAUVAISE UTILISATION DE CET APPAREIL OU D'UNE INCAPACITÉ À UTILISER CET APPAREIL, QUELLE QUE SOIT LA BASE JURIDIQUE INVOQUÉE POUR JUSTIFIER L'ASSERTION ET MÊME SI SAMSUNG A ÉTÉ AVISÉ DE L'ÉVENTUALITÉ DE TELS DOMMAGES.

Garantie (CANADA)

LES INDEMNITÉS FINANCIÈRES EXIGÉES AUPRÈS DE SAMSUNG NE POURRONT EN AUCUN CAS EXCÉDER LE PRIX D'ACHAT DU PRODUIT VENDU PAR SAMSUNG ET À L'ORIGINE DES DOMMAGES INVOQUÉS.

SANS LIMITATION AUX DISPOSITIONS SUSDITES, L'ACHETEUR ASSUME TOUS LES RISQUES ET TOUTES LES RESPONSABILITÉS EN CAS DE PERTE, DE DOMMAGES OU DE BLESSURES ÉVENTUELLES INFLIGÉS À L'ACHETEUR ET AUX BIENS DE CELUI-CI ET À TOUTE AUTRE PERSONNE ET AUX BIENS DE CELLE-CI RÉSULTANT DE L'UTILISATION OU DE LA MAUVAISE UTILISATION DE L'APPAREIL OU DE L'INCAPACITÉ À L'UTILISER. CETTE GARANTIE LIMITÉE N'EST VALABLE POUR PERSONNE D'AUTRE QUE L'ACHETEUR INITIAL DU PRODUIT, N'EST PAS TRANSFÉRABLE ET ÉNONCE VOTRE RECOURS EXCLUSIF.

Certaines provinces n'autorisent pas de limitations quant à la durée des garanties implicites ni l'exclusion ou la limitation de dommages accessoires ou indirects ; il se peut par conséquent que les limitations et exclusions énoncées ci-dessus ne s'appliquent pas à votre cas.

La présente garantie vous octroie des droits spécifiques, ainsi que d'autres variant d'une province à une autre.

Pour bénéficier d'un service d'assistance couvert par votre garantie, contactez SAMSUNG à l'adresse suivante :

Samsung Electronics Canada Inc.

2050 Derry Road West,

Mississauga, Ontario L5N 0B9 Canada

1-800-SAMSUNG (726-7864)

www.samsung.com/ca/support (English)

www.samsung.com/ca_fr/support (French)

Les interventions de techniciens de maintenance destinées à expliquer les fonctions, la maintenance ou l'installation ne sont pas couvertes par la garantie.

Veuillez prendre contact avec votre agent d'appel Samsung pour obtenir de l'aide sur l'une de ces questions.





Scan the QR code* or visit
www.samsung.com/spsn
to view our helpful
How-to Videos and Live Shows

*Requires reader to be installed on your smartphone

Scan this with your smartphone

QUESTIONS OU COMMENTAIRES ?

PAYS	APPELEZ LE	OU RENDEZ-VOUS SUR LE SITE
U.S.A	1-800-SAMSUNG (726-7864) 1-844-SAM-PAYS (726-7297)	www.samsung.com/us/support
CANADA	1-800-SAMSUNG(726-7864) 1-844-SAM-PAYS (726-7297)	www.samsung.com/ca/support (English) www.samsung.com/ca_fr/support (French)



Secadora

Manual del usuario

DV25B6800E*

SAMSUNG

Contenido

Información sobre seguridad	4
Lo que necesita saber sobre las instrucciones de seguridad	4
Símbolos de seguridad importantes	4
ADVERTENCIA DE LA PROPUESTA 65 DE CALIFORNIA	6
Precauciones de seguridad importantes	6
Advertencias	7
Precauciones	7
Antes de la instalación	9
Requisitos de instalación importantes	9
Consideraciones acerca de la ubicación	9
Requisitos para el tendido de conductos	13
Requisitos de drenaje	14
Requisitos eléctricos	15
Instalación	17
Componentes	17
Instalación paso a paso	19
Guía de los conductos de drenaje	23
Cambio de dirección del conducto de drenaje (opcional)	24
Prueba de bloqueo de la ventilación	28
Cambiar la posición de la puerta	31
Antes de comenzar	36
Clasificación y carga	36
Requisito de funcionamiento	36
Funcionamiento	37
Panel de control	37
Sencillos pasos para comenzar	39
Descripción del ciclo	40
Guía de ciclos	41
Características especiales	42

Mantenimiento	44
Limpieza	44
Solución de problemas	45
Verificaciones	45
Códigos de información	48
Especificaciones	49
Tabla de indicaciones sobre telas	49
Protección del medio ambiente	50
Hoja de especificaciones	51
Tabla de ciclos	52

Información sobre seguridad

Felicitaciones por la compra de la nueva secadora Samsung. Este manual contiene información importante acerca de la instalación, el uso y el cuidado del electrodoméstico. Lea detenidamente estas instrucciones a fin de aprovechar al máximo los múltiples beneficios y funciones de la secadora.

Lo que necesita saber sobre las instrucciones de seguridad

Lea este manual detenidamente para aprender a utilizar con seguridad y eficacia todas las características y funciones de su nuevo electrodoméstico. Conserve el manual en un lugar seguro cerca del electrodoméstico para consultas futuras. Utilice este electrodoméstico solo para el propósito para el que fue destinado como se describe en este manual.

Las advertencias y las instrucciones de seguridad importantes de este manual no cubren todas las posibles condiciones y situaciones que pueden ocurrir. Es su responsabilidad actuar con sentido común, precaución y cuidado cuando instale, realice el mantenimiento y ponga en funcionamiento la secadora.

Puesto que las siguientes instrucciones de funcionamiento sirven para varios modelos, las características de su secadora pueden diferir ligeramente de las que se describen en este manual y es posible que no todos los signos de advertencia sean aplicables. Si tiene alguna consulta o duda, comuníquese con el centro de servicio más cercano o busque ayuda e información en línea en www.samsung.com.

Símbolos de seguridad importantes

Los íconos y las señales incluidas en este manual del usuario significan lo siguiente:

ADVERTENCIA

Peligros o prácticas inseguras que podrían causar lesiones físicas graves o la muerte y/o daños materiales.

PRECAUCIÓN

Peligros o prácticas inseguras que podrían causar lesiones físicas y/o daños materiales.

NOTA

Indica que existe el riesgo de lesiones físicas o daños materiales.

Estas señales de advertencia están aquí para evitar que usted u otras personas sufran daños. Siga las instrucciones completamente.

Después de leer este manual, guárdelo en un lugar seguro para consultas futuras.

Lea todas las instrucciones antes de usar el electrodoméstico.

Al igual que con cualquier equipo que usa electricidad y contiene piezas movibles, existen riesgos potenciales. Para usar este electrodoméstico en forma segura, familiarícese con su funcionamiento y manéjelo con cuidado cuando lo use.

CONSERVE ESTAS INSTRUCCIONES

ADVERTENCIA - Riesgo de incendio

- La instalación de la secadora de ropa debe estar a cargo de un instalador calificado.
- Instale la secadora de ropa según las instrucciones del fabricante y los códigos locales.
- No instale una secadora de ropa con materiales para ventilación de plástico flexible. Si se instala un conducto de metal flexible (tipo lámina metálica), debe ser de un tipo específico identificado por el fabricante del electrodoméstico como adecuado para utilizar con secadoras de ropa. Los materiales para ventilación flexibles suelen hundirse, aplastarse fácilmente y atrapar pelusa. Estas condiciones obstruirán el flujo de aire de la secadora de ropa y aumentarán el riesgo de incendio.
- No instale un ventilador secundario en el conducto de drenaje.
Nota: la advertencia del ventilador de refuerzo no se aplica a las secadoras de ropa destinadas a instalarse en un sistema con varias secadoras de ropa y con un sistema de conductos de escape diseñado que se instala según las pautas del fabricante de la secadora de ropa.
- Para reducir el riesgo de lesiones graves o muerte, siga todas las instrucciones de instalación.
- Guarde estas instrucciones.

ADVERTENCIA - Para reducir el riesgo de incendio o explosión:

- No seque prendas que hayan sido previamente limpiadas, lavadas, remojadas o salpicadas con gasolina, solventes de limpieza en seco u otras sustancias inflamables o explosivas. Emiten vapores que se pueden prender fuego o explotar. No debe colocarse en la secadora ningún material que haya estado en contacto con un solvente de limpieza o líquidos o sólidos inflamables hasta que se haya eliminado todo vestigio de tales líquidos o sólidos inflamables y sus vapores.
Existen muchos artículos altamente inflamables en los hogares, tales como acetona, alcohol desnaturalizado, gasolina, kerosene, algunos limpiadores líquidos de uso doméstico, algunos quitamanchas, aguarrás, ceras y removedores de cera.
- No seque artículos que contengan goma espuma (puede estar catalogada como espuma de látex) o materiales semejantes a la goma y con textura similar en la opción de secado con calor. Los materiales de goma espuma que reciben calor pueden, en ciertas circunstancias, encenderse en forma espontánea.

CONSERVE ESTAS INSTRUCCIONES

Información sobre seguridad

ADVERTENCIA - Peligro de incendio o explosión

- Si no cumple rigurosamente con las advertencias de seguridad podrían producirse daños materiales, lesiones graves o incluso la muerte.
- No almacene ni utilice gasolina u otros vapores o líquidos inflamables cerca de este o cualquier otro aparato eléctrico.
- La instalación y el servicio técnico deberán estar a cargo de un instalador calificado, una agencia de reparaciones o el proveedor de gas.
- No instale un ventilador secundario en el conducto de drenaje.

Nota: la advertencia del ventilador de refuerzo no se aplica a las secadoras de ropa destinadas a instalarse en un sistema con varias secadoras de ropa y con un sistema de conductos de escape diseñado que se instala según las pautas del fabricante de la secadora de ropa.

ADVERTENCIA DE LA PROPUESTA 65 DE CALIFORNIA

ADVERTENCIA

Cáncer y daño al sistema reproductivo: www.P65Warnings.ca.gov.

Precauciones de seguridad importantes

ADVERTENCIA

Para reducir el riesgo de incendio, descargas eléctricas o lesiones físicas cuando usa este electrodoméstico, siga las instrucciones de seguridad básicas que figuran a continuación:

1. Lea todas las instrucciones antes de usar este electrodoméstico.
2. No seque prendas que han sido previamente limpiadas, lavadas, remojadas o salpicadas con gasolina, solventes de limpieza en seco u otras sustancias inflamables o explosivas, ya que emiten vapores que pueden prenderse fuego o explotar.
3. No utilice la secadora para secar ropa que tenga restos de sustancias inflamables, como aceites vegetales, de cocción o de máquina, productos químicos inflamables, disolventes de pinturas, etc., o que contengan cera o productos químicos, como trapeadores y paños de limpieza. Las sustancias inflamables pueden ocasionar que la tela se prenda fuego.
4. No almacene ni utilice gasolina u otros vapores o líquidos inflamables cerca de este o cualquier otro aparato eléctrico.
5. No permita que los niños jueguen sobre el electrodoméstico ni en su interior. Se requiere de supervisión cuando el electrodoméstico es utilizado cerca de los niños.

CONSERVE ESTAS INSTRUCCIONES

6. Antes de descartar el electrodoméstico o de retirarlo de servicio, extraiga la puerta del compartimiento de secado.
7. No introduzca la mano en el electrodoméstico si el tambor está en movimiento.
8. No instale o guarde este electrodoméstico donde quede expuesto a factores climáticos.
9. No modifique los controles internos.
10. No repare, reemplace ni intente realizar el mantenimiento de cualquier pieza del electrodoméstico salvo que esté recomendado específicamente en las instrucciones de mantenimiento del usuario o en las instrucciones de reparación para el usuario publicadas y que, a su juicio, usted tenga la habilidad para llevarlas a cabo.
11. No use suavizante para ropa o productos para evitar la estática salvo que el fabricante del suavizante para ropa o del producto lo recomiende.
12. Limpie el filtro para pelusas antes o después de cada carga.
13. No aplique calor para secar prendas que contengan goma espuma o materiales semejantes a la goma con textura similar.
14. Mantenga el área alrededor de la salida del drenaje y las áreas adyacentes libres de la acumulación de pelusa, polvo y suciedad.
15. El personal técnico calificado debe efectuar una limpieza periódica del interior del electrodoméstico y del conducto de drenaje.
16. No coloque elementos expuestos a aceites de cocina en la secadora. Los elementos contaminados con aceites de cocina pueden contribuir a que se produzca una reacción química que ocasione que en la carga de ropa se prenda fuego. Para reducir el riesgo de incendio debido a cargas de ropa contaminada, la parte final del ciclo de la secadora se realiza sin calor (período de enfriamiento). No detenga la secadora antes de terminar el ciclo de secado, pero si lo hace, retire rápidamente las prendas y déjelas esparcidas para que se disipe el calor.
17. Este electrodoméstico debe conectarse a tierra. Consulte "Requisitos eléctricos" y "Conexión a tierra" en la sección "Instalación".
18. No permita que los niños jueguen sobre el electrodoméstico ni en su interior. Se requiere de supervisión cuando el electrodoméstico es utilizado cerca de los niños.
19. No introduzca las manos bajo la secadora.
 - Esto puede provocar lesiones personales.
20. Al cerrar la puerta tenga cuidado de no atrapar los dedos de los niños.
 - Esto puede provocar lesiones personales.
21. El panel de control y la válvula de entrada no están conectados a tierra intencionalmente y pueden presentar riesgo de descarga eléctrica únicamente durante el servicio técnico.
 - No toque estas partes mientras el electrodoméstico está recibiendo electricidad.

CONSERVE ESTAS INSTRUCCIONES

Información sobre seguridad

Advertencias

ADVERTENCIA

- Asegúrese de que los bolsillos no contengan objetos pequeños, sólidos y de forma irregular, material extraño, etc., por ejemplo: monedas, cuchillos, alfileres, etc. Tales objetos podrían dañar la secadora.

Precauciones

PRECAUCIÓN

- No permita que los niños o las mascotas jueguen sobre el electrodoméstico, dentro de él o frente a él. Se requiere de supervisión cuando el electrodoméstico es utilizado cerca de niños y mascotas.
- Antes de desechar la secadora o de retirarla de servicio, quite la puerta del compartimento de secado para evitar que los niños y las mascotas queden atrapados dentro de la secadora.
- No introduzca la mano en el electrodoméstico cuando el tambor esté en movimiento.
- No instale o guarde este electrodoméstico donde quede expuesto a factores climáticos.
- No modifique los controles.
- No repare ni reemplace ni intente realizar el mantenimiento de ninguna pieza del electrodoméstico salvo que esté indicado específicamente en las instrucciones de reparación para el usuario y que comprenda y tenga la habilidad para llevar a cabo el procedimiento.
- No utilice suavizante de ropa o productos para eliminar la estática a menos que el suavizante o producto esté recomendado para uso con la secadora por el fabricante del mismo.
- Limpie el filtro para pelusas antes o después de cada carga.
- Mantenga el área alrededor de la salida del drenaje y las áreas circundantes libres de pelusa, polvo y suciedad.
- El personal técnico calificado debe efectuar una limpieza periódica del interior de la secadora y del conducto de drenaje.
- Este electrodoméstico debe conectarse a tierra correctamente. Nunca enchufe el cable de alimentación a un receptáculo que no esté conectado a tierra correctamente ni guarde conformidad con los códigos locales y nacionales. Consulte las instrucciones de instalación para obtener información sobre cómo conectar este electrodoméstico a tierra.
- No se siente encima de la secadora.
- No seque ropa que contenga hebillas grandes, botones u otros objetos de metal pesado o sólido.
- Instale y use de acuerdo con las instrucciones del fabricante.
- No coloque prendas en la secadora que hayan sido salpicadas o remojadas con aceite vegetal o aceite de cocina. Incluso después del lavado, estas prendas pueden contener una cantidad importante de dichos aceites.

CONSERVE ESTAS INSTRUCCIONES

-
- El aceite residual en las prendas puede prenderse fuego en forma espontánea. La posibilidad de combustión espontánea aumenta cuando las prendas que contienen aceite vegetal o aceite de cocina son expuestas al calor. Las fuentes de calor, tales como la secadora, pueden calentar estas prendas y permitir que se produzca la oxidación del aceite a modo de reacción. La oxidación genera calor. Si dicho calor no tiene forma salir, las prendas pueden calentarse lo suficiente como para prenderse fuego. Amontonar, apilar o guardar este tipo de prendas puede impedir que el calor salga y puede generar un peligro de incendio.
 - Todas las prendas limpias y sucias que contengan aceite vegetal o aceite de cocina pueden resultar peligrosas.

Lavar dichas prendas en agua caliente con una dosis adicional de detergente reducirá el peligro, aunque no lo eliminará. Siempre use el ciclo Enfriamiento para estas prendas con el fin de reducir la temperatura. Nunca retire estas prendas cuando la secadora se encuentre caliente ni interrumpa el ciclo de secado hasta que las prendas hayan pasado por el ciclo Enfriamiento. Nunca amontone o apile estas prendas cuando estén calientes.

CONSERVE ESTAS INSTRUCCIONES

Antes de la instalación

Lea atentamente las siguientes instrucciones antes de instalar la secadora y conserve este manual para futuras consultas.

ADVERTENCIA

Ciertas partes eléctricas se han dejado intencionalmente desconectadas de la tierra física y pueden presentar un riesgo de choque eléctrico durante el mantenimiento. Personal de mantenimiento, no tocar estas partes mientras el aparato esté encendido: Panel de control y válvula de entrada.

Requisitos de instalación importantes

- Un tomacorriente con conexión a tierra.
- Un cable de alimentación para las secadoras eléctricas (excepto en Canadá).
- Un sistema de drenaje de metal rígido o flexible con un recubrimiento de metal resistente.

ADVERTENCIA

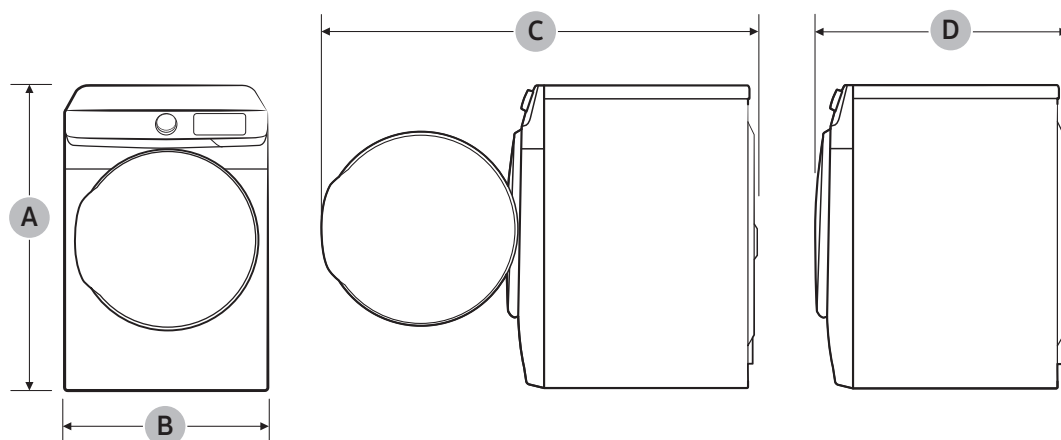
Retire la puerta de todos los electrodomésticos desechados para evitar que un niño se asfixie.

Consideraciones acerca de la ubicación

La secadora debe estar ubicada donde haya suficiente espacio adelante para cargarla y suficiente espacio atrás para el sistema de drenaje. Esta secadora viene preparada de fábrica con la opción de drenaje posterior. Para que drene por la parte inferior, hacia la derecha o izquierda, utilice el kit de drenaje accesorio. El kit viene acompañado de instrucciones. Asegúrese de que en el cuarto circule suficiente aire fresco. La secadora debe estar ubicada donde el aire pueda fluir sin obstrucciones. Para las secadoras a gas, se debe mantener el espacio libre suficiente tal como figura en la placa de información para garantizar que haya aire suficiente para la combustión y el funcionamiento adecuado de la secadora.

No se debe instalar o guardar la secadora en un área donde quede expuesta al agua y/o a los factores climáticos. El área de la secadora debe mantenerse libre de materiales combustibles, gasolina y otros vapores y líquidos inflamables. Una secadora produce pelusa combustible. No debe haber pelusas en el área circundante de la secadora.

Dimensiones



Tipo		Secadora de carga frontal
Modelos		DV25B6800E*
Dimensiones (pulg. (mm))	A. Altura total	33.5 (850)
	B. Ancho	23.6 (600)
	C. Profundidad con la puerta abierta	43.3 (1101)
	D. Profundidad	25.8 (655)

Antes de la instalación

Requisito de espacio libre

Este requisito de espacio libre solo se aplica a las secadoras.

NOTA

- Para el requisito de espacio libre para lavadoras, consulte el manual del usuario de la lavadora.
- En caso de que la lavadora y la secadora tengan distintos requisitos de espacio libre, utilice el valor mayor.

Instalaciones del electrodoméstico en un gabinete o en un hueco

ADVERTENCIA

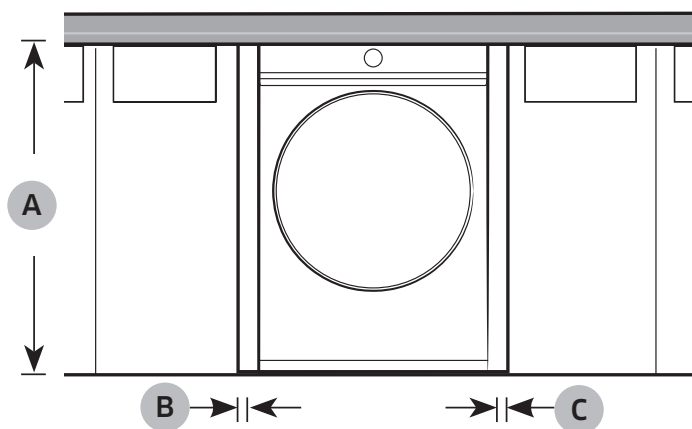
- La secadora debe tener un drenaje con salida hacia el exterior para reducir el riesgo de incendio cuando se instala en un gabinete o en un hueco.
- No se debe instalar ningún otro electrodoméstico que queme combustible en el mismo gabinete de la secadora.
- Coloque la secadora al menos a 18 pulgadas (460 mm) sobre el suelo en una instalación en un garaje.

Espacio mínimo para un funcionamiento estable:

Laterales	Arriba	Atrás	Frente
1 pulg. (25 mm)	1 pulg. (25 mm)	3 pulg. (76 mm)	1 pulg. (25 mm)

Si se instalan una lavadora y una secadora en la misma ubicación, el frente del gabinete o hueco debe tener dos aberturas de aire sin obstrucciones que combinadas sean de al menos 72 pulg.² (465 cm²).

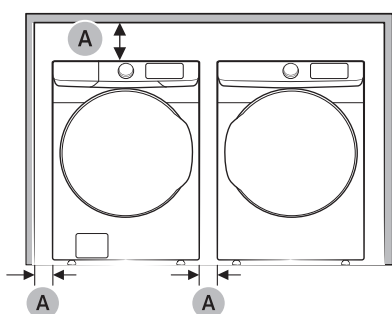
Instalación debajo de un mostrador



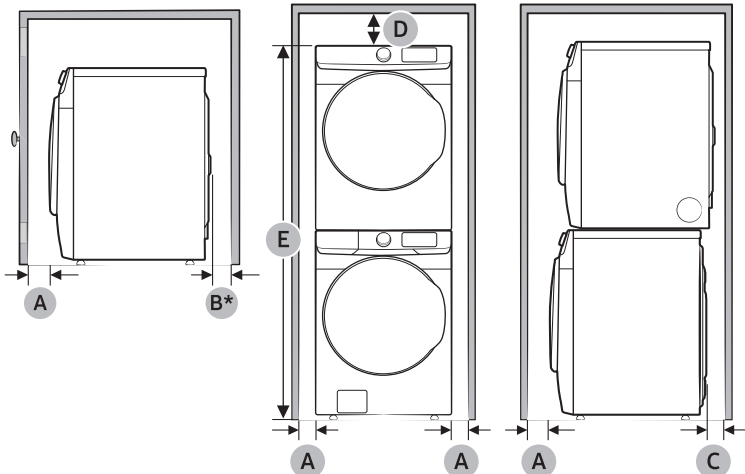
A	34.4 pulg. (875 mm)
B	1 pulg. (25 mm)
C	1 pulg. (25 mm)

Este requisito de espacio libre se aplica para la instalación de la lavadora y la secadora juntas.

Instalación lado a lado



Instalación apilada



A	1 pulg. (25 mm)
B*	3 pulg. (76 mm)
C	2 pulg. (50 mm)
D	6 pulg. (152 mm)
E	67 pulg. (1702 mm)

(B*): Este requisito de espacio libre solo se aplica a las secadoras. Para el requisito de espacio libre para lavadoras, consulte el manual del usuario de la lavadora.

Se requiere un espacio mínimo **(B*)** de 3" para lograr el mejor desempeño de la secadora. En caso de que no haya suficiente espacio para la instalación del conducto, se necesita un kit de ventilación del tamaño adecuado.

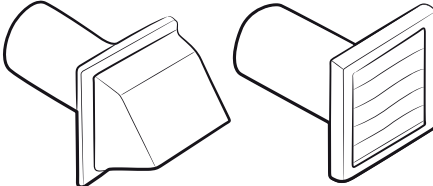
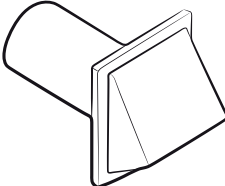
NOTA

Apilamiento (SK-DH)

Muchas de las lavadoras y las secadoras de Samsung pueden apilarse para maximizar el espacio aprovechable. Puede adquirir un kit de apilamiento opcional en su comercio minorista de productos Samsung. Para conocer más detalles acerca del apilamiento y los modelos compatibles, consulte el manual del usuario incluido en el kit de apilamiento que ha comprado.

Antes de la instalación

Requisitos para el tendido de conductos

	Recomendado	Utilice sólo para una instalación de corto alcance
Tipo tapa para intemperie	 4" (10.2 cm)	 2.5" (6.4 cm)
Nº codos de 90°	Rígido	Rígido
0	80 ft. (24.2 m)	60 ft. (28.3 m)
1	60 ft. (28.3 m)	45 ft. (13.7 m)
2	45 ft. (13.7 m)	35 ft. (10.7 m)
3	35 ft. (10.7 m)	25' (7,6 m)

NOTA

* Utilice un conducto de acero galvanizado o de aluminio, de 4 pulgadas (10.2 cm) de diámetro.

Si integrará el sistema de ventilación de la secadora con un sistema de drenaje existente:

- Asegúrese de que el sistema de drenaje cumpla con todas las normativas locales, estatales y nacionales.
- Verifique que no esté usando un conducto flexible de plástico.
- Asegúrese de controlar y eliminar toda la pelusa acumulada del interior de los conductos existentes.
- Confirme que el conducto no esté enroscado o aplastado.
- Asegúrese de que el regulador de tiro de la tapa del drenaje se abra y se cierre sin inconvenientes.

Mediciones del manómetro

La presión estática de cualquier sistema de drenaje no debe superar las 0,83 pulgadas de la columna de agua ni ser inferior a 0. Tenga en cuenta que estos valores se miden con la secadora en funcionamiento con un manómetro en el conducto que conecta al drenaje de la secadora. El tambor de la secadora debe estar vacío y el filtro para pelusas limpio.

Requisitos de drenaje

La secadora no debe drenarse hacia una chimenea, pared, techo, altillo, sótano de pequeña altura o espacio oculto de un edificio. Si la secadora tiene un drenaje con salida hacia el exterior se evitará que ingrese una gran cantidad de pelusa y humedad a la habitación.

En Estados Unidos y Canadá

- Todas las secadoras deben tener un drenaje con salida hacia el exterior.
- El conducto de drenaje requerido tiene 4 pulgadas (10.2 cm) de diámetro.
- Consulte “**Requisitos para el tendido de conductos**” en la sección “**Instalación**” para conocer la longitud máxima del conducto y el número de codos que pueden utilizarse.
- La longitud total del conducto flexible metálico no debe superar los 7' 10½" (2.4 m).
- No ensamble el conducto con tornillos u otros medios de sujeción que se extiendan dentro del conducto y atrapen pelusa.
- **Únicamente para Estados Unidos:** Utilice solo los conductos flexibles tipo lámina metálica, si los hubiera, identificados específicamente para su utilización con el electrodoméstico por el fabricante y que cumplan con el Esquema para conductos de transición de secadora de ropa. Use el Tema 2158A.

- **Solo para Canadá:** Utilice solo aquellos conductos flexibles tipo lámina metálica, si los hubiera, específicamente identificados por el fabricante para su uso con el electrodoméstico.

Fuera de Estados Unidos y Canadá

- Remítase a los códigos locales.

ADVERTENCIA

- Debe colocar en la secadora un drenaje con salida hacia el exterior para reducir el riesgo de incendio cuando instala la secadora en un gabinete o en un hueco.
- No utilice conductos flexibles de plástico o de un material que no sea el metal.
- Si su red de conductos existente es de plástico, de un material no metálico o que sea inflamable, reemplácela por una que sea de metal.
- Utilice únicamente un conducto de drenaje de metal que no sea inflamable para asegurar la contención del aire expulsado, el calor y la pelusa.

Antes de la instalación

Requisitos eléctricos

El diagrama del cableado se encuentra en la placa debajo del panel de control o en el armazón posterior.

ADVERTENCIA

- La conexión inadecuada del conductor de conexión a tierra del equipo puede generar el riesgo de descarga eléctrica. Consulte a un electricista o técnico calificado si le surgen dudas acerca de si la conexión a tierra de su secadora es correcta. No modifique el enchufe provisto con la secadora; si no entra en el tomacorriente, solicite a un electricista calificado que instale el tomacorriente adecuado.
- Para evitar el riesgo innecesario de incendio, descarga eléctrica o lesiones físicas, todo el cableado y la conexión a tierra deben realizarse de conformidad con los códigos locales o, en ausencia de ellos, de conformidad con el Código Eléctrico Nacional, ANSI/NFPA Nro. 70, su última revisión (para EE.UU.) o el Código Eléctrico Canadiense CSA C22.1, sus últimas revisiones y los códigos y ordenanzas locales. Es su responsabilidad proveer el servicio eléctrico adecuado para su secadora.

Conexión a tierra

Esta secadora debe conectarse a tierra. En caso de que el electrodoméstico funcione mal o se descomponga, la conexión a tierra reducirá el riesgo de descarga eléctrica al ofrecer una vía de menor resistencia a la corriente eléctrica.

ADVERTENCIA

- Su secadora tiene un cable opcional con un conductor de conexión a tierra del equipo y un enchufe de conexión a tierra. El cable se vende por separado.
- El enchufe debe conectarse a un tomacorriente adecuado que esté correctamente instalado y conectado a tierra de conformidad con todos los códigos y ordenanzas locales.
- No modifique el enchufe provisto con la secadora; si no entra en el tomacorriente, solicite a un electricista calificado que instale el tomacorriente adecuado.
- Si no se utiliza un cable de alimentación y la secadora eléctrica debe estar permanentemente conectada, se la debe conectar a un sistema de cableado de metal con conexión a tierra permanente, o se debe conectar un conductor con conexión a tierra del equipo a los conductores del circuito y a la terminal con conexión a tierra del equipo o al cable de la secadora.

Conexiones eléctricas

Antes de poner el electrodoméstico en funcionamiento o realizar pruebas, siga las instrucciones de conexión a tierra de la sección “**Conexión a tierra**”. Se recomienda que se destine un circuito derivado individual (o separado) sólo para la secadora.

No utilice un cable prolongador.

Solo Estados Unidos

La mayor parte de las secadoras estadounidenses requieren un servicio eléctrico aprobado de CA de 120 / 240 voltios, 60 Hz. Algunas requieren un servicio eléctrico aprobado de 120 / 208 voltios, 60 Hz. Los requisitos del servicio eléctrico pueden encontrarse en la etiqueta con información ubicada detrás de la puerta. Se requiere un fusible o interruptor de 30 A a ambos lados del conducto.

- Si se utiliza un cable de alimentación, el cable debe enchufarse a un tomacorriente de 30 A.
- No se provee el cable de alimentación con los modelos eléctricos de secadoras estadounidenses. El cable se vende por separado.

ADVERTENCIA

Riesgo de descarga eléctrica

Si lo permiten los códigos locales, se puede conectar el suministro eléctrico de la secadora por medio de un nuevo kit de cable de alimentación eléctrica, rotulado para que se lo utilice con la secadora, es decir que cuente con certificación U.L. y categorizado en un mínimo de 120/240 voltios, 30 amperes con tres conductores de cobre Nro. 10 que finalicen en terminales de bucle cerrado, pernos de pala de tipo abierto con extremos rebatidos o con conductores de estaño.

- No vuelva a utilizar un cable de alimentación eléctrica de una secadora vieja. El cable de alimentación eléctrica debe asegurarse en el gabinete de la secadora con una protección contra los tirones adecuada con certificación UL.

- La conexión a tierra a través del conductor neutro está prohibida para (1) instalaciones nuevas con circuito derivado, (2) casas rodantes, (3) vehículos de recreo y (4) áreas en las que los códigos locales prohíban la conexión a tierra a través de un conductor neutro. (Utilice un enchufe de 4 pines para un tomacorriente de 4 ranuras, tipo NEMA 14-30R.)

Solo Canadá

Se requiere un servicio eléctrico aprobado de CA de 120/240 voltios, 60 Hz, equipado con un fusible o interruptor de 30 A a ambos lados del conducto.

NOTA

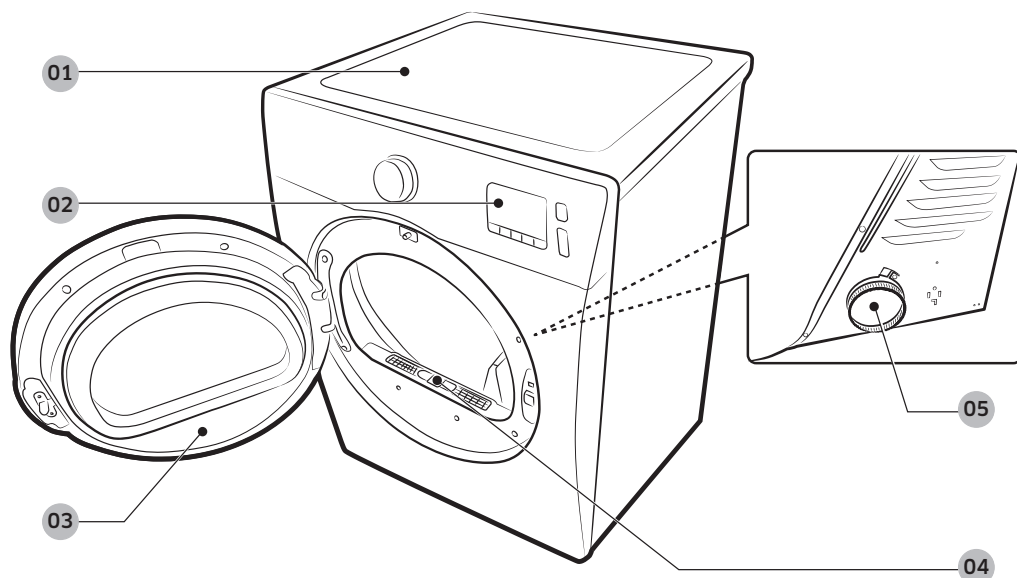
- Todos los modelos canadienses se envían con el cable de alimentación adjunto. El cable de alimentación debe conectarse a un tomacorriente de 30 A.
- En Canadá, puede convertir una secadora a 120/208 voltios.

Instalación

La instalación de la secadora debe estar a cargo de un técnico calificado. El instalador será responsable de conectar la secadora a la fuente de alimentación principal y a la vez de cumplir con las normas de seguridad correspondientes de su zona.

Componentes

Asegúrese de que todos los componentes estén incluidos en el paquete. Si tiene algún problema con la secadora o los accesorios, comuníquese con un centro de servicios Samsung o con el vendedor.



Vista rápida de la secadora

01 Cubierta superior

02 Panel de control

03 Puerta

04 Filtro

05 Conducto de drenaje

Accesorios y herramientas

Accesorios provistos



Kit de apilamiento
(únicamente
modelos
canadienses)

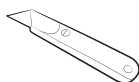


Tapa

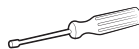
Herramientas necesarias



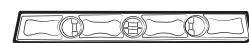
Pinzas



Cúter



Llave de tuercas



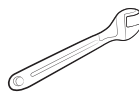
Nivelador



Destornillador
Philips



Cinta para
conductos



Llave inglesa

ADVERTENCIA

Los materiales de empaque pueden ser peligrosos para los niños. Mantenga todos los materiales de empaque (bolsas de plástico, poliestireno, etc.) lejos del alcance de los niños.

Instalación

Instalación paso a paso

Asegúrese de que un técnico calificado instale la secadora. A continuación aparecen unas instrucciones paso a paso de la instalación.

PASO 1 Instale el sistema de drenaje

1. Seleccione un lugar y coloque allí la secadora. Para facilitar el acceso, le recomendamos que instale la secadora en la misma ubicación que la lavadora.
2. Para modificar la dirección de la puerta, consulte “Cambiar la posición de la puerta”.
3. Instale el sistema de drenaje como se indica en la sección “Guía de los conductos de drenaje”.

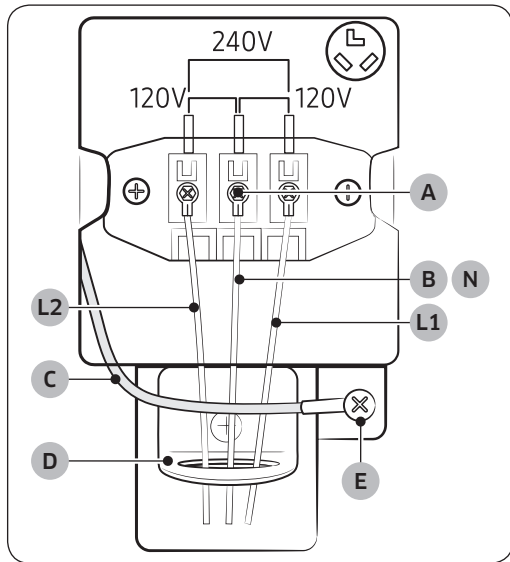
NOTA

- Para mover la secadora con facilidad, coloque dos de las protecciones de cartón del empaque en el piso. Incline la secadora hacia uno de los laterales, de modo tal que quede apoyada sobre ambas protecciones. Empuje la secadora hasta que se encuentre cerca de su ubicación final y colóquela en posición vertical.
- Asegúrese de que haya espacio suficiente alrededor de la secadora para facilitar la instalación de conductos y el cableado.

PASO 2 Conecte el cableado eléctrico

Primero lea la sección “Requisitos eléctricos” y luego siga las instrucciones de esta página o la siguiente. Las instrucciones para las conexiones de sistemas de 3 cables se encuentran en esta página. Las instrucciones para las conexiones de sistemas de 4 cables se encuentran en la página siguiente.

Para un sistema de 3 cables



- A. Tornillo central de color plateado del bloque de terminales
- B. Cable neutro (cable blanco o central)
- C. Cable a tierra neutro (blanco o verde/amarillo)
- D. Dispositivo de alivio de tensión con certificación UL de $\frac{3}{4}$ " (1.9 cm)
- E. Conector a tierra externo

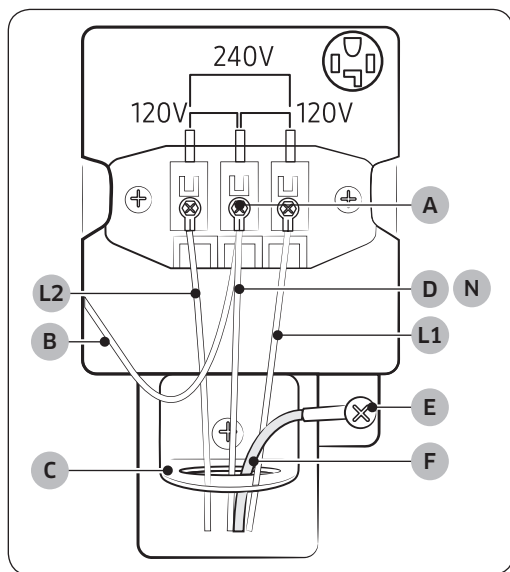
1. Afloje o retire los tornillos del bloque central de terminales.
2. Conecte el cable neutro (cable blanco o central) del cable de alimentación a la terminal de tornillo central de color plateado del bloque de terminales. Ajuste los tornillos.
3. Conecte los demás cables a los tornillos externos del bloque de terminales. Ajuste los tornillos.
4. Ajuste los tornillos con dispositivo de alivio de tensión.
5. Inserte la cubierta del bloque de terminales en el panel trasero de la secadora. Luego, asegure la cubierta con un tornillo de sujeción.

⚠ PRECAUCIÓN

- Para realizar la conversión del sistema de 4 cables a 3 cables, conecte la cinta de conexión a tierra al soporte del bloque de terminales para conectar a tierra el armazón de la secadora al conductor neutro.
- Se recomienda utilizar terminales de tipo anillo. Si utiliza terminales de correa, asegúrese de que estén ajustados.
- Conecte el cable de alimentación y verifique el voltaje de L1/L2/N. Si el voltaje es bajo, es posible que el calentador sea deficiente.

Instalación

Para un sistema de 4 cables



- A. Tornillo central de color plateado del bloque de terminales
- B. Cable a tierra neutro (blanco o verde/amarillo)
- C. Dispositivo de alivio de tensión con certificación UL de $\frac{3}{4}$ " (1.9 cm)
- D. Cable neutro (cable blanco o central)
- E. Conector a tierra externo
- F. Cable verde o de cobre desnudo del cable de alimentación

⚠ PRECAUCIÓN

Conecte el cable de alimentación y verifique el voltaje de L1/L2/N. Si el voltaje es bajo, es posible que el calentador sea deficiente.

⚠ ADVERTENCIA

- Todos los modelos estadounidenses están fabricados para una conexión de sistemas de 3 cables. El armazón de la secadora está conectado a tierra al conductor neutro del bloque de terminales. Se requiere una conexión de sistemas de 4 cables para las construcciones nuevas o remodeladas, las casas rodantes o si los códigos locales no permiten la conexión a tierra a través del neutro. Si utiliza un sistema de 4 cables, no puede conectar a tierra el armazón de la secadora al conductor neutro del bloque de terminales.
- Retire la tapa del bloque de terminales.

1. Retire el tornillo del conector externo a tierra y conecte el cable de conexión a tierra (verde o sin cubierta) del cable de alimentación al tornillo.

⚠ PRECAUCIÓN

- Para conectar el cable de conexión a tierra a la posición neutra sin atravesar el contacto A (conexión a tierra del gabinete), comuníquese con un técnico. No se trata de una operación que pueda realizar el usuario.
 - Se recomienda utilizar terminales de tipo anillo. Si utiliza terminales de correa, asegúrese de que estén ajustados.
2. Afloje o retire los tornillos del bloque central de terminales.
 3. Conecte el cable neutro (cable blanco o central) y el cable de conexión a tierra (blanco) a la terminal de tornillo central de color plateado del bloque de terminales. Ajuste el tornillo.
 4. Conecte los demás cables a los tornillos externos del bloque de terminales. Ajuste los tornillos.
 5. Ajuste los tornillos con dispositivo de alivio de tensión.
 6. Inserte la lengüeta de la cubierta del bloque de terminales en el panel trasero de la secadora. Luego, asegure la cubierta con un tornillo de sujeción.

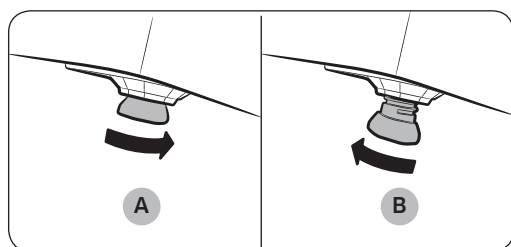
- Inserte el cable de alimentación con un dispositivo de alivio de tensión con certificación UL a través del orificio provisto en el gabinete cerca del bloque de terminales.
- Se debe utilizar un dispositivo de alivio de tensión.
- No afloje las tuercas ya instaladas en el bloque de terminales. Asegúrese de que estén ajustadas.
- Utilice un tomacorriente para huecos profundos de 3/8" (1 cm).
- Desde el 1 de enero de 1996, el Código Eléctrico Nacional requiere que el cableado nuevo (que no exista) utilice una conexión de 4 cables a esta secadora.

PASO 3 Nivele la secadora

Para garantizar un desempeño óptimo, la secadora debe estar nivelada.



1. Con un **nivel (A)**, verifique si la secadora está nivelada de lado a lado y de adelante hacia atrás. Si la secadora no está nivelada, ajuste las **patas niveladoras (B)** de la parte inferior de la secadora. Luego verifique nuevamente si la secadora está nivelada.



NOTA

- Para colocar la secadora a la misma altura que la lavadora, **retraiga (A)** completamente las patas niveladoras girándolas en sentido contrario al de las agujas del reloj, luego **afloje (B)** las patas girándolas en el sentido de las agujas del reloj. Una vez que la secadora está a la misma altura que la lavadora, siga las instrucciones precedentes para nivelar la secadora.
- Ajuste las patas niveladoras solo lo necesario para nivelar la secadora. Extender las patas niveladoras más de lo necesario puede hacer que la secadora vibre.

Instalación

PASO 4 Verificación final

Una vez finalizada la instalación, confirme que:

- La secadora está enchufada a un tomacorriente y está conectada a tierra correctamente.
- Los conductos de drenaje están conectados y se colocó cinta a las uniones.
- Usted usó conducto rígido o flexible con un recubrimiento de metal resistente, no conducto flexible de plástico.
- La secadora está nivelada y apoyada firmemente sobre el piso.
- La secadora se pone en funcionamiento, funciona, calienta y se apaga correctamente.

Guía de los conductos de drenaje

Conductos

1. Asegúrese de que la secadora esté instalada correctamente para que drene fácilmente.
2. Utilice conductos de metal rígido, de 4 pulgadas. Coloque cinta en todas las uniones, incluso en la conexión de la secadora. Nunca use tornillos que atrapen pelusa.
3. Para facilitar el drenaje, mantenga los conductos tan rectos como sea posible.

Limpieza

Limpie los conductos viejos antes de instalar la secadora y asegúrese de que la ventilación se abra y se cierre sin inconvenientes. Le recomendamos que limpie el sistema de drenaje anualmente o en forma regular.

ADVERTENCIA

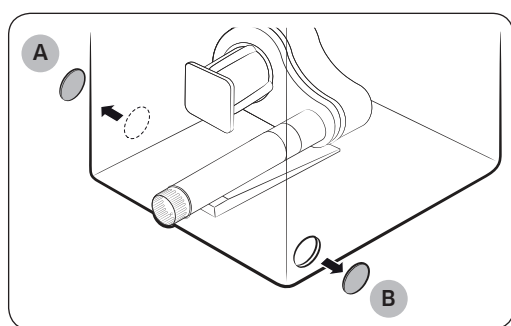
- A fin de evitar incendios, no use ningún tipo de conducto plástico, con un recubrimiento delgado o de un material que no sea el metal.
- No use un mal sistema de drenaje dado que demora el desempeño de la secadora.
- No use conductos excesivamente largos con muchos codos.
- No use conductos o tubos de ventilación aplastados u obstruidos.

Cambio de dirección del conducto de drenaje (opcional)

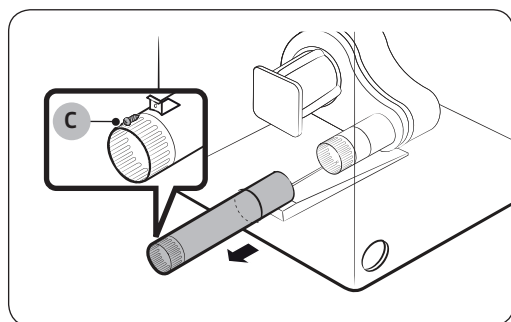
⚠ ADVERTENCIA

Antes de realizar esta instalación de drenaje, desconecte la secadora del suministro eléctrico. Use guantes para protegerse las manos y los brazos de los bordes afilados cuando trabaje dentro del gabinete.

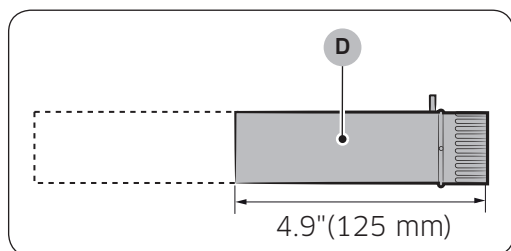
Ventilación lateral



1. Retire la placa del lado **derecho (A)** o **izquierdo (B)** según corresponda.

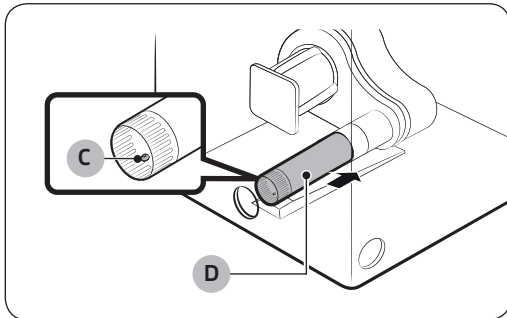


2. Separe el conducto de la secadora y luego retire el **tornillo (C)** del conducto. Reserve el **tornillo (C)**. Lo necesitará más tarde.

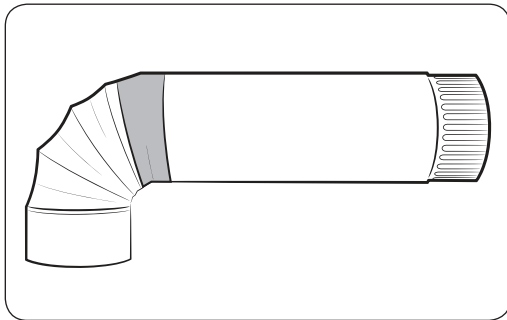


3. Corte el conducto como se muestra y conserve la **parte cortada (D)**.

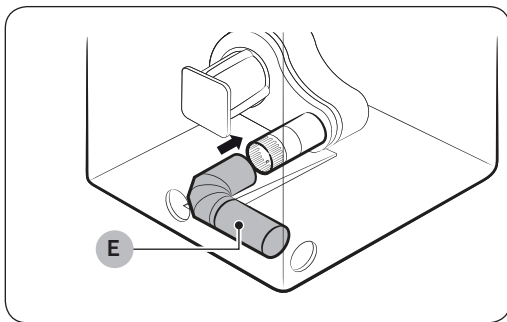
Instalación



4. Vuelva a conectar la **parte cortada del conducto (D)** y luego fíjela a la rampa de la base del electrodoméstico con el **tornillo (C)** que reservó en el Paso 2.



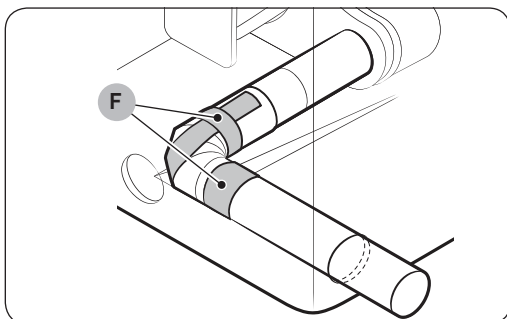
5. Conecte un conducto a un codo y luego cubra la unión con cinta para conductos.



6. Inserte el **conducto con el codo (E)** a través de la abertura trasera y conéctelo al conducto interno.

⚠ PRECAUCIÓN

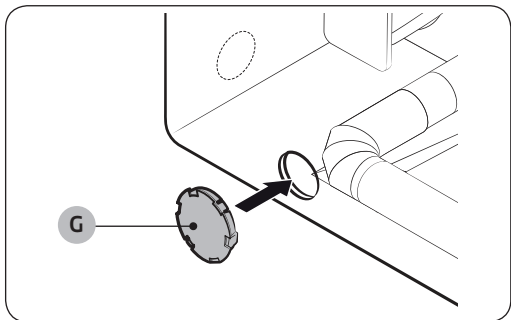
Los cables de la secadora pueden interferir levemente con el conducto. Tenga cuidado de no arrastrar o dañar los cables eléctricos internos de la secadora cuando inserte el conducto.



7. Aplique **cinta para conductos (F)** en todas las uniones como se muestra.

⚠ PRECAUCIÓN

Todas las uniones deben asegurarse con cinta; de lo contrario, podrían separarse y ocasionar un peligro para la seguridad.

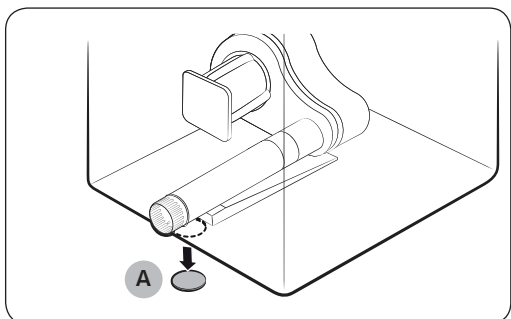


8. Cubra la abertura trasera con una tapa (G).

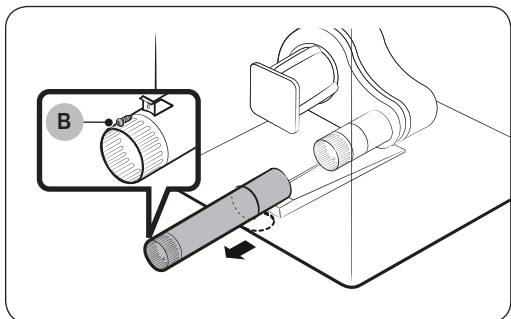
⚠ ADVERTENCIA

Nunca deje la abertura trasera descubierta. Debe cubrirse con una tapa.

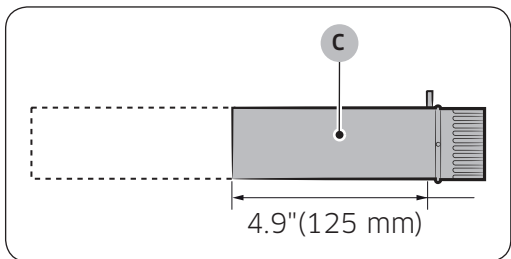
Ventilación inferior



1. Retire la placa inferior (A).

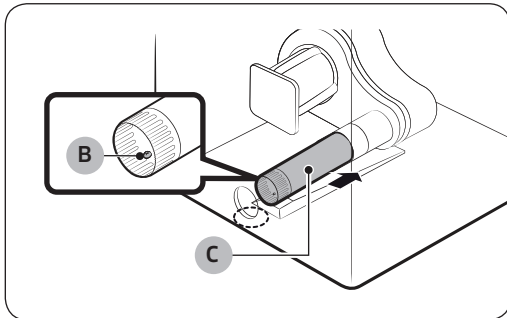


2. Separe el conducto de la secadora y luego retire el tornillo (B) del conducto. Reserve el tornillo (B). Lo necesitará más tarde.

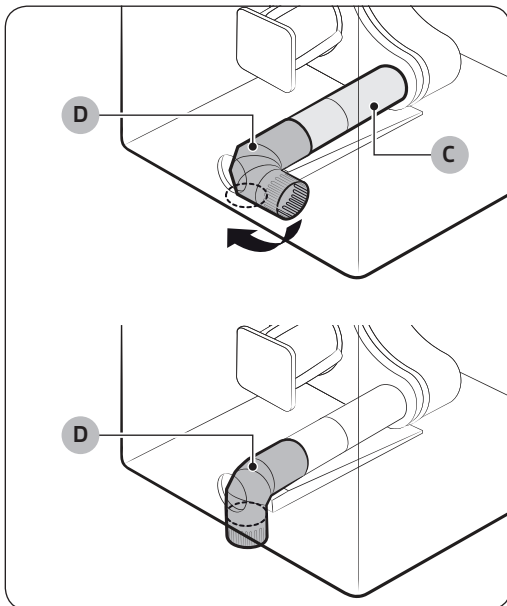


3. Corte el conducto como se muestra y conserve la parte cortada del conducto (C).

Instalación



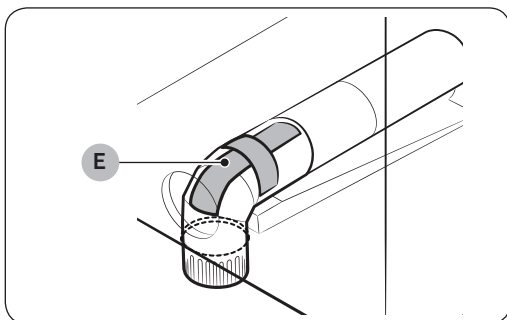
4. Vuelva a conectar la **parte cortada del conducto (C)** y luego fíjela a la rampa de la base del electrodoméstico con el **tornillo (B)** que reservó en el Paso 2.



5. Inserte el **codo (D)** a través de la abertura trasera y conéctelo al **conducto (C)**.
6. Rote el **codo (D)** a través de la abertura inferior.

⚠ PRECAUCIÓN

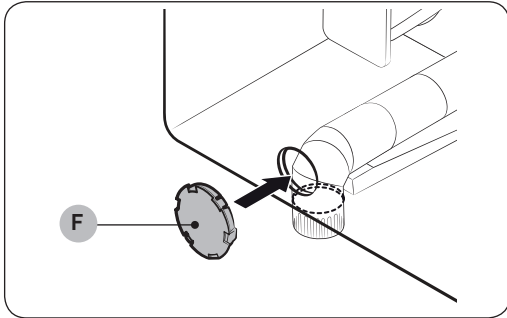
Tenga cuidado de no arrastrar o dañar los cables eléctricos internos de la secadora cuando inserte el conducto.



7. Aplique **cinta para conductos (E)** en todas las uniones como se muestra.

⚠ PRECAUCIÓN

Todas las uniones deben asegurarse con cinta; de lo contrario, podrían separarse y ocasionar un peligro para la seguridad.



- Cubra la abertura trasera con una tapa (F).

⚠ ADVERTENCIA

Nunca deje la abertura trasera descubierta. Debe cubrirse con una tapa.

Prueba de bloqueo de la ventilación

Una vez instalada la secadora, inicie la prueba de bloqueo de la ventilación para verificar si el sistema de conductos está instalado correctamente. La prueba de bloqueo de la ventilación detecta automáticamente el estado de los conductos e informa de cualquier bloqueo o problema. Una instalación correcta de los conductos puede reducir el tiempo de secado y ahorrar energía.

📄 NOTA

La prueba de bloqueo de la ventilación debe realizarse cuando la secadora está fría. Si la secadora se calienta luego de la verificación de la instalación, ejecute el ciclo **AIR FLUFF (TEMP. AMBIENTE)** durante algunos minutos para reducir su temperatura interna.

Instalación

Ejecución de la prueba de bloqueo de la ventilación

1. Asegúrese de que el tambor esté vacío y luego cierre la puerta. (Si hay ropa u otros productos en el tambor, los resultados de la prueba no serán precisos.)
2. Presione el botón **Encender/Apagar** para encender la secadora, luego mantenga presionados simultáneamente los botones **Adjust Time (Ajustar Tiempo)** y **Dryness (Nivel de secado)** durante 3 segundos. “InS” aparece en la pantalla de la secadora. (Si ha iniciado otros procedimientos antes de la prueba de bloqueo de la ventilación, la secadora no accede al modo de prueba de bloqueo de la ventilación.)
3. Presione el botón **Inicio/Pausa (Mantenga presionado para iniciar)**. La prueba de bloqueo de la ventilación se inicia inmediatamente. Durante la prueba, el indicador numérico gira en 6 pasos en el sentido de las agujas del reloj. La prueba dura aproximadamente 2 minutos. No abra la puerta durante la prueba.
4. Luego de 2 minutos, cuando la prueba se ha completado, se muestran los resultados y la secadora emite una señal. Si el estado del sistema de conductos es normal, se muestra “0” y la secadora emite una señal de finalización. Si el sistema de conductos no puede drenarse correctamente, aparece el código de verificación y la secadora emite una señal de alarma. Para obtener una descripción del código, consulte la sección “**Códigos de verificación de la instalación**” en la página 31.
Si hay otros problemas, aparece un código de información en la pantalla. Para obtener una descripción del código, consulte la sección “**Códigos de información**” en la página 48.
 - Para detener o cancelar la prueba de bloqueo de la ventilación, presione el botón **Encender/Apagar** para apagar la secadora.
 - Los resultados se muestran en la pantalla durante aproximadamente 5 minutos y luego ésta se apaga en forma automática. Puede apagar los resultados inmediatamente presionando el botón **Encender/Apagar**.

NOTA

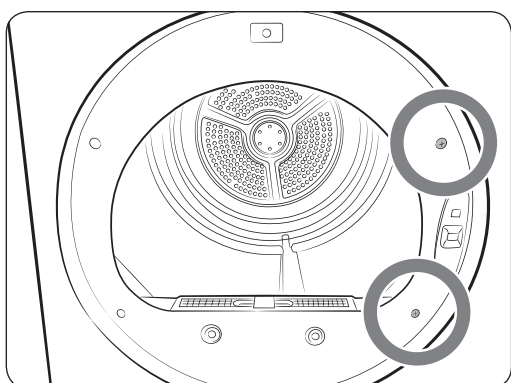
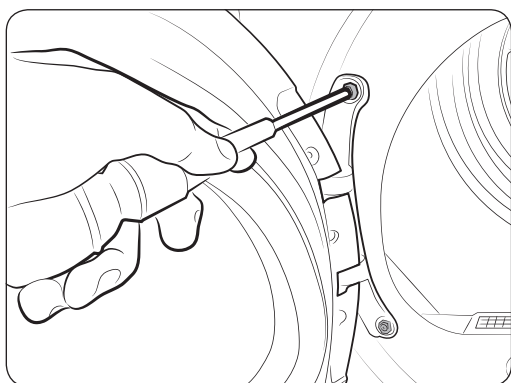
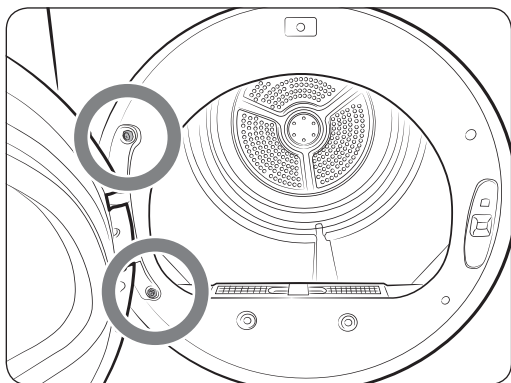
- Durante y luego de la prueba, el interior del tambor está caliente. Tenga cuidado para evitar quemaduras. La prueba de bloqueo de la ventilación se usa para detectar problemas en el sistema de conductos actual cuando la secadora se instala por primera vez.
- Si el resultado de la prueba muestra un código de verificación (el sistema de conductos está bloqueado), consulte la sección “**Requisitos para el tendido de conductos**” en la página 14 y la sección “**Guía de los conductos de drenaje**” a continuación, y tome las medidas correspondientes para corregir cualquier problema. Si la prueba se suspende, puede dar resultados incorrectos. Siga los procedimientos adecuados para realizar la prueba de la secadora.
- Aunque el resultado sea normal (“0”), el sistema de conductos puede estar ligeramente bloqueado. Instale correctamente los conductos de acuerdo con las instrucciones de instalación de este instructivo.

Códigos de verificación de la instalación

Verificar código	Significado	Solución
0	El estado de la ventilación es bueno.	
C80 (C8)	Aproximadamente el 80 % de la ventilación está obstruida. (Esto puede afectar el desempeño del secado.)	1. Limpie el filtro para pelusas. 2. Verifique el estado de la ventilación. (Consulte la sección “Requisitos para el tendido de conductos”) * Debe tomar medidas (como la limpieza) a realizar por personal especializado.
C90 (C9)	Más del 90 % de la ventilación está bloqueada. (Esto puede generar problemas de secado o fallas de funcionamiento.)	
Ct	La temperatura interna de la secadora es demasiado baja (inferior a 32 °F [0 °C]) o demasiado alta (superior a 104 °F [40 °C]) y, por lo tanto, no se puede detectar el bloqueo de la ventilación.	Deje la secadora a temperatura ambiente (41~95 °F [5~35 °C]) durante una hora y vuelva a verificarla.
tC	Error en el sensor de temperatura	Contáctese con el Servicio técnico.
C1	La unidad detecta artículos en el tambor o hay un error en el sensor de secado.	Retire los artículos del tambor y vuelva a intentar. Si el problema persiste, comuníquese con un centro de servicio.
dC	La unidad detecta que la puerta está abierta	Cierre la puerta correctamente y vuelva a intentar. Si el problema persiste, comuníquese con un centro de servicio.
9C1	Se detectó un voltaje anómalo	Verifique la conexión eléctrica. (Consulte la sección “Conecte el cableado eléctrico”) Si el problema persiste, comuníquese con un centro de servicio.
HC	Detección de temperatura anormal en el tambor.	Verifique la conexión eléctrica. Verifique el estado de la ventilación. Si el problema persiste, comuníquese con un centro de servicio.

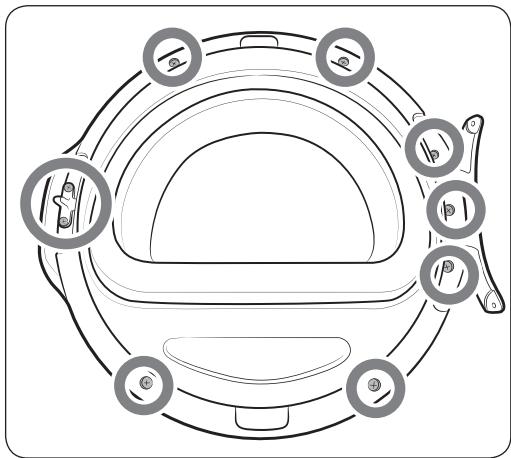
Instalación

Cambiar la posición de la puerta

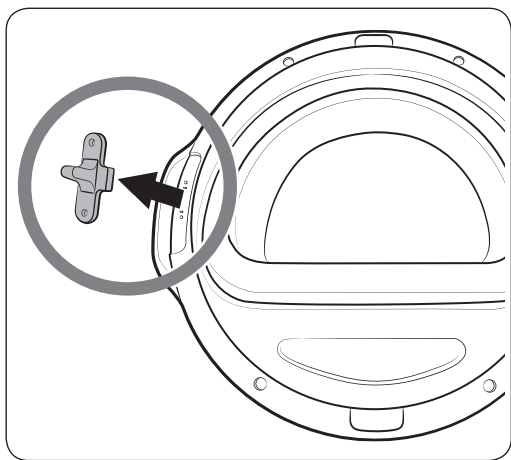


Para invertir el sentido en que se abre la puerta, le recomendamos que llame a un técnico calificado.

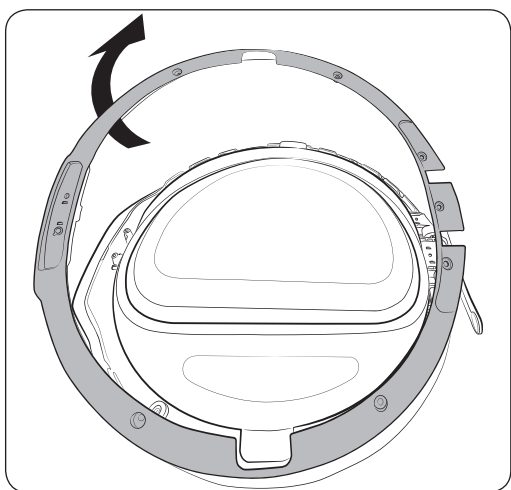
1. Desenchufe el cable de alimentación de la secadora.
2. Retire los dos tornillos de la bisagra de la puerta y luego retire la puerta levantándola levemente.
3. Retire los dos tornillos del lado opuesto de la bisagra de la puerta.



4. Ubique y retire los 9 tornillos de la puerta como se muestra.

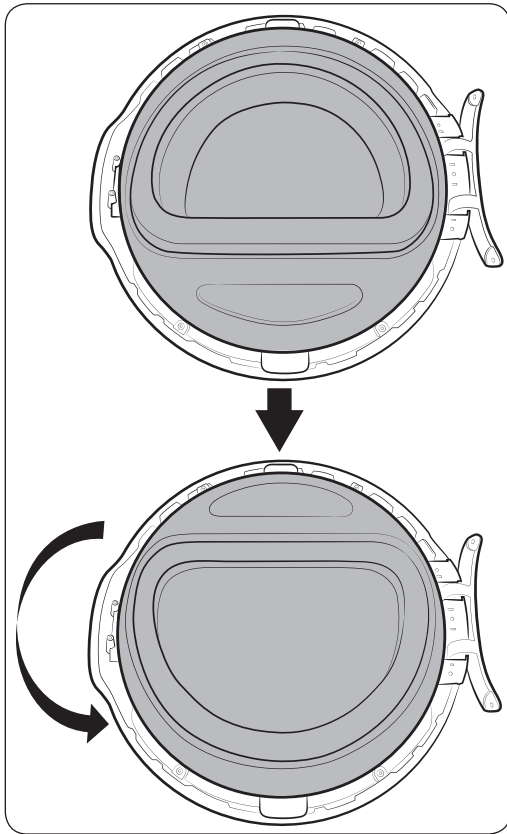


5. Retire la manija de la puerta.

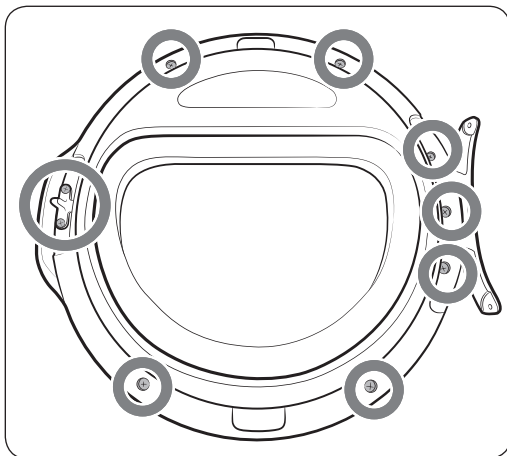


6. Retire el marco de la puerta.

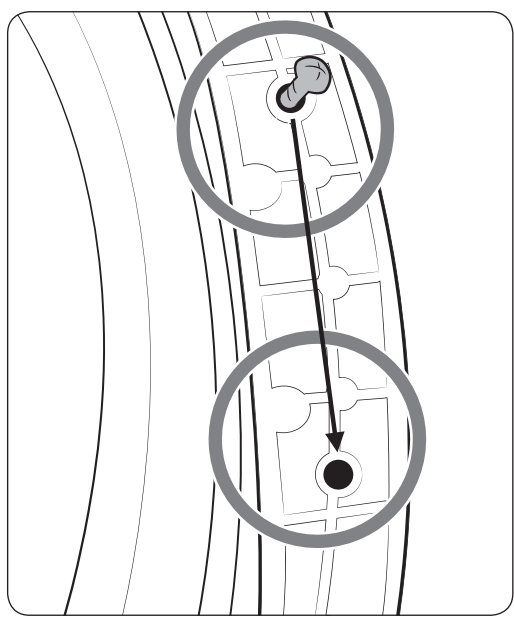
Instalación



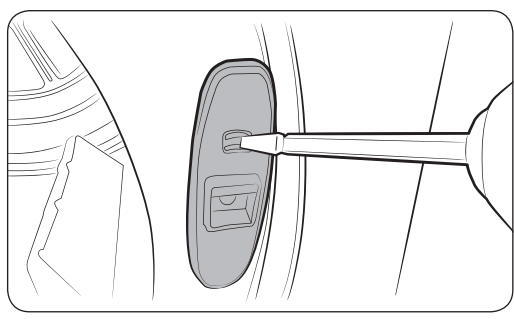
7. Rote el vidrio de la puerta 180°.



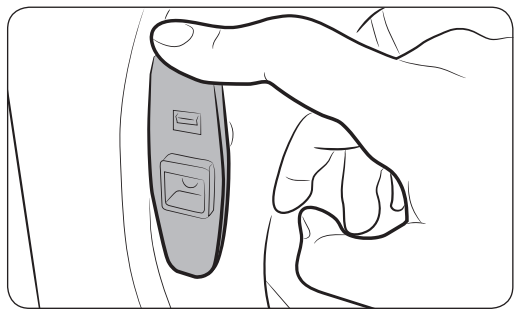
8. Vuelva a colocar el marco y la manija de la puerta.



9. Cambie la ubicación de los tornillos usados para fijar la bisagra de la puerta, como se muestra.

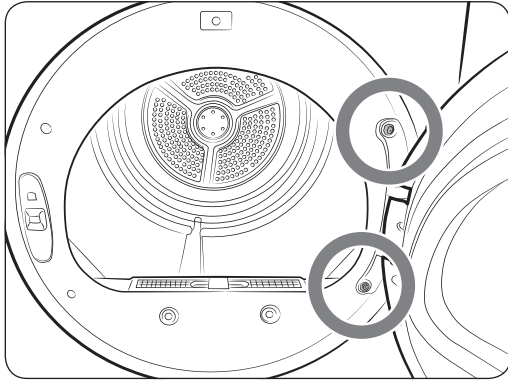


10. Retire la cubierta de la manija presionando el gancho.

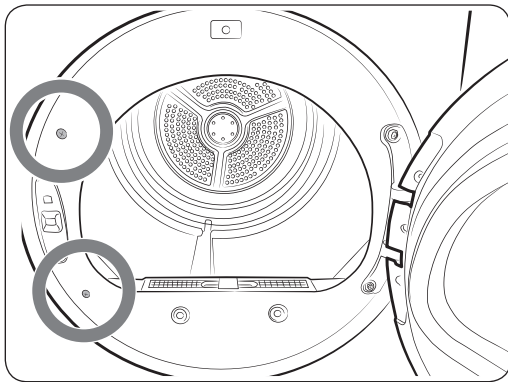


11. Coloque la placa de apoyo del otro lado como se muestra.

Instalación



- 12.** Inserte y apriete los dos tornillos de la bisagra.



- 13.** Inserte y apriete los dos tornillos en el lado opuesto de la bisagra de la puerta.

Antes de comenzar

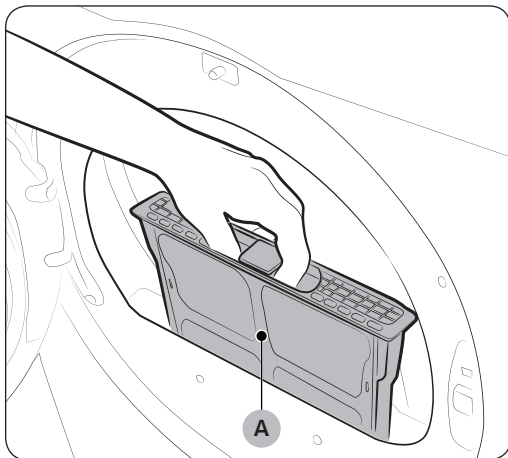
Antes de encender la secadora, debe saber algunas cosas.

Clasificación y carga

- Coloque una carga de ropa en la secadora por vez.
- No mezcle prendas pesadas y livianas.
- Para mejorar la eficiencia de secado al secar una o dos prendas, agregue una toalla seca a la carga.
- Para obtener mejores resultados, desenrede las prendas antes de colocarlas en la secadora.
- La sobrecarga limita el funcionamiento y ocasiona un secado irregular, así como la formación de arrugas.
- A menos que se recomiende en la etiqueta, no seque prendas de lana o fibra de vidrio.
- Evite secar artículos sin lavar.
- No seque artículos muy sucios con aceite, alcohol, gasolina, etc.

Requisito de funcionamiento

Filtro de pelusa



Para evitar el riesgo de incendios, asegúrese de limpiar el filtro de pelusa antes o después de cada carga.

1. Apague la secadora.
2. Abra la puerta y retire el **filtro de pelusa (A)** del tambor.
3. Retire la pelusa acumulada y luego limpie el filtro.
4. Inserte el filtro nuevamente y cierre la puerta.

PRECAUCIÓN

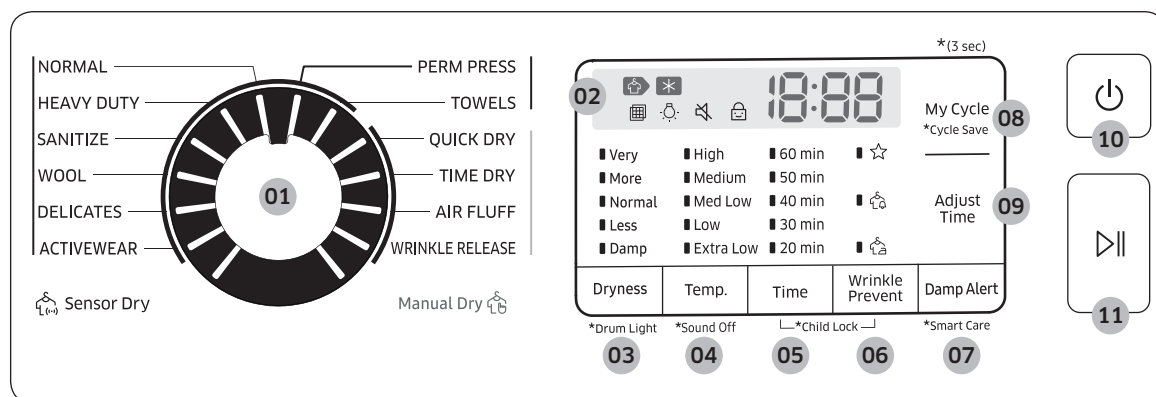
- No haga funcionar la secadora sin el filtro para pelusas insertado.
- No utilice un filtro de pelusa dañado o roto. Esto podría reducir el desempeño y/o provocar un incendio.

Funcionamiento

⚠ ADVERTENCIA

Para reducir el riesgo de incendio, descarga eléctrica o lesiones personales, lea "Información sobre seguridad" antes de poner en funcionamiento el electrodoméstico.

Panel de control



01 Selector de ciclos	Gire el selector de ciclos para seleccionar el ciclo deseado. Al seleccionar un ciclo, se enciende el indicador correspondiente.
02 Pantalla gráfica digital	Muestra toda la información del ciclo, incluyendo el tiempo del ciclo, el código de información, el estado de funcionamiento y los indicadores.
03 Dryness (Nivel de secado)	<p>Presione para ajustar el nivel de secado de los ciclos Sensor Dry (Secado con sensor). Se enciende el indicador correspondiente.</p> <ul style="list-style-type: none"> Las cargas más grandes o más voluminosas posiblemente requieran la opción Very (Muy Seco) o More (Mayor Secado) para que el secado sea completo. Less (Menos Secado) es la opción más adecuada para telas livianas, o para que quede algo de humedad en las prendas al final del ciclo. La opción Damp (Secado Parcial) fue diseñada para secar las prendas parcialmente. Utilícela para las prendas que deban secarse en posición horizontal o colgarse. <p>NOTA Esta opción no se encuentra disponible con SANITIZE (ESTERILIZAR), WOOL (LANA) y ACTIVEWEAR (ROPA DEPORTIVA).</p>

04 Temp. (Temperatura)	<p>Presione para cambiar la temperatura del ciclo actual.</p> <ul style="list-style-type: none"> • High (Alto): Para los algodones resistentes o aquellos con el rótulo Secar en secadora. • Medium (Medio): Para prendas de plancha permanente, telas sintéticas, algodones livianos u otras prendas con el rótulo Secar en secadora a temperatura media. • Med Low (Med-Bajo): Para una temperatura inferior a media. Use para secar telas sintéticas o de tejido lavable. • Low (Bajo): Para prendas sensibles al calor con el rótulo Secar en secadora a temperatura baja o Secar en secadora a temperatura cálida. • Extra Low (Extra Bajo): Ofrece la menor temperatura de secado con calor posible.
05 Time (Tiempo)	<p>Presione para ajustar el tiempo de secado al usar ciclos de Manual Dry (Secado manual). No se encuentra disponible en los ciclos de secado con Sensor Dry (Secado con Sensor) porque la secadora determina el tiempo de secado al medir el nivel de humedad de la carga.</p>
06 Wrinkle Prevent (Prevenir Arrugas)	<p>Wrinkle Prevent (Prevenir Arrugas) ofrece aproximadamente 180 minutos de secado intermitente con aire fresco al final del ciclo para reducir la formación de arrugas. Presione Wrinkle Prevent (Prevenir Arrugas) para activar dicha función. La carga está seca y puede retirarla en cualquier momento durante el ciclo Wrinkle Prevent (Prevenir Arrugas).</p>
07 Damp Alert (Alerta de humedad)	<p>La Damp Alert (Alerta de humedad) le notifica cuando el nivel de secado promedio de una carga es centrifugado parcial (80% seco). Esto le permite retirar las prendas que no desea que se sequen completamente o que se secan rápidamente fuera de la secadora mientras deja que otras prendas sigan secándose. Puede seleccionar esta función en todos los ciclos de Sensor Dry (Secado con sensor), excepto SANITIZE (ESTERILIZAR), WOOL (LANA) y ACTIVEWEAR (ROPA DEPORTIVA). Los niveles de secado disponibles son Normal (Secado Normal), More (Mayor Secado) y Very (Muy Seco).</p>
08 My Cycle (Mi Ciclo)	<p>Seleccione su ciclo preferido incluyendo duración, temperatura y nivel de secado. Consulte “My Cycle (Mi Ciclo) ☆” para obtener más detalles.</p>

Funcionamiento

09 Adjust Time (Ajustar Tiempo)	Puede cambiar el tiempo ajustado en los ciclos de Manual Dry (Secado Manual). Para cambiar la duración del ciclo, presione Adjust Time (Ajustar Tiempo) hasta que aparezca el tiempo deseado.
10 Encender/ Apagar	Presione para encender y apagar la secadora.
11 Inicio/Pausa	Inicia o detiene el funcionamiento.

NOTA

Las prendas muy enredadas pueden disminuir la eficacia del secado o hacer que se abra la puerta. Recomendamos desenredar las prendas antes de secarlas.

Indicadores

	Secado		Child Lock (Seguro para niños)
	Enfriando		My Cycle (Mi Ciclo)
	Revisar Filtro		Damp Alert (Alerta de humedad)
	Drum Light (Luz Interior)		Wrinkle Prevent (Prevenir Arrugas)
	Sound Off (Sonido apagado)		

Sencillos pasos para comenzar

1. Presione **Encender/Apagar** para poner en funcionamiento la secadora.
2. Gire el **Selector de ciclos** para seleccionar el ciclo deseado.
3. Cambie las configuraciones de ciclo (**Dryness (Nivel de secado)**, **Temp. (Temperatura)** y **Time (Tiempo)**) según sea necesario.
4. Como opción, puede activar las opciones disponibles presionando el botón correspondiente. (**Adjust Time (Ajustar Tiempo)**, **Wrinkle Prevent (Prevenir Arrugas)** y/o **Damp Alert (Alerta de humedad)**).
5. Presione **Inicio/Pausa**. La luz indicadora de la secadora se enciende y el tiempo estimado del ciclo aparece en la pantalla.

Para cambiar el ciclo durante el funcionamiento

1. Presione **Inicio/Pausa** para detener el funcionamiento.
2. Seleccione un programa diferente.
3. Presione el botón **Inicio/Pausa** nuevamente para iniciar el nuevo programa.

Descripción del ciclo

Sensor Dry (Secado con sensor)

Los ciclos de Sensor Dry (Secado con sensor) detectan la humedad en la carga y detienen la secadora cuando la carga alcanza el nivel de secado que usted seleccionó con Dryness (Nivel de secado).

Ciclo	Descripción
NORMAL	Para la mayoría de las telas, incluido algodón y lino.
HEAVY DUTY (CARGA PESADA)	Para secar prendas de tela resistente, tales como los jeans, la pana y la ropa de trabajo con calor a alta temperatura.
SANITIZE (ESTERILIZAR)	Úselo para desinfectar prendas mediante la aplicación de vapor y calor a alta temperatura a las telas. Este ciclo puede suavizar las prendas y reducir los olores.
WOOL (LANA)	Solo para lana que pueda lavarse en lavadora y secarse en secadora.
DELICATES (DELICADOS)	Para secar prendas sensibles al calor a baja temperatura de secado.
ACTIVEWEAR (ROPA DEPORTIVA)	Para prendas para hacer ejercicio y actividades al aire libre tales como jerseys de deporte, pantalones deportivos, chaquetas impermeables u otras prendas de entrenamiento. Puede que las telas gruesas como los cierres o cierres velcro o medias de entrenamiento no se sequen completamente.
PERM PRESS (PLANCHADO PERMANENTE)	Seca automáticamente prendas de algodón sin arrugas, también telas sintéticas, tejidos y telas antiarrugas.
TOWELS (TOALLAS)	Para toallas de baño y prendas similares

Manual Dry (Secado Manual)

Puede cambiar los ajustes de secado en forma manual según su preferencia.

Ciclo	Descripción
QUICK DRY (SECADO RÁPIDO)	Un ciclo de secado rápido que dura 30 minutos
TIME DRY (TIEMPO DE SECADO)	Permite seleccionar el tiempo del ciclo en minutos.
AIR FLUFF (TEMP. AMBIENTE)	Seca la carga con aire a temperatura ambiente.
WRINKLE RELEASE (ANTIARRUGAS)	El ciclo WRINKLE RELEASE (ANTIARRUGAS) eliminará las arrugas de prendas que están limpias, secas y solo levemente arrugadas, tales como prendas que extrajo de un clóset demasiado lleno o de una maleta o prendas que han estado en la secadora demasiado tiempo después de la finalización del ciclo. El ciclo WRINKLE RELEASE (ANTIARRUGAS) se puede usar con cualquier temperatura.

Funcionamiento

Guía de ciclos

La mejor manera de secar las prendas es seguir las instrucciones de la etiqueta. Si no se brindan instrucciones de secado, consulte la siguiente tabla a modo de referencia.

Ciclo	Descripción
Cubrecamas y edredones	Siga las instrucciones de la etiqueta con indicaciones o seque en el ciclo NORMAL. <ul style="list-style-type: none"> Asegúrese de que la prenda esté completamente seca antes de usarla o guardarla. Tal vez deba volver a colocarla en el tambor para garantizar un secado uniforme.
Ropa de cama	Utilice NORMAL y seque de a una sola cobija por vez para lograr un mejor funcionamiento de la secadora. <ul style="list-style-type: none"> Asegúrese de que las cobijas estén completamente secas antes de usarlas o guardarlas.
Cortinas y paños de tela	Utilice PERM PRESS (PLANCHADO PERMANENTE) y la temperatura Medium (Medio) para minimizar la formación de arrugas. <ul style="list-style-type: none"> Seque cortinas y paños de tela en tandas pequeñas para obtener mejores resultados y retírelos lo antes posible una vez finalizado el ciclo.
Pañales de tela	Utilice NORMAL y la opción de temperatura High (Alto) para pañales suaves y mullidos.
Prendas con relleno de plumas (chaquetas, bolsas de dormir, edredones, etc.)	Utilice NORMAL y la opción de temperatura Medium (Medio). <ul style="list-style-type: none"> Agregue un par de toallas secas para absorber la humedad y acortar el tiempo de secado.
Goma espuma (reverso de alfombras, muñecos de peluche, hombreras, etc.)	No seque con el ciclo de secado con calor. Utilice AIR FLUFF (TEMP. AMBIENTE). ⚠ ADVERTENCIA Secar un artículo de goma con calor puede dañarlo o causar un incendio.
Almohadas	Utilice NORMAL. <ul style="list-style-type: none"> Agregue un par de toallas secas y un par de zapatillas limpias para mejorar el funcionamiento de la secadora y ahuecar las almohadas. No seque almohadas de capoc o de goma espuma utilizando un ciclo de secado con calor. Puede secar estos elementos en la secadora solamente si usa el ciclo AIR FLUFF (TEMP. AMBIENTE).
Plásticos (cortinas de baño, cubiertas de muebles para exteriores, etc.)	Utilice AIR FLUFF (TEMP. AMBIENTE) o TIME DRY (TIEMPO DE SECADO) y la opción de temperatura Low (Bajo) o Extra Low (Extra Bajo) de acuerdo con las instrucciones de la etiqueta.

ADVERTENCIA

No seque:

- Artículos de fibra de vidrio (cortinas, paños de tela, etc.)
- Lanas, salvo que se recomiende en la etiqueta
- Artículos manchados o embebidos en aceite vegetal o de cocina

Características especiales

Child Lock (Seguro para niños)

La función de Seguro para Niños evita que los niños jueguen con la secadora. Cuando el seguro para niños está activado, todos los botones excepto **Encender/Apagar** se desactivan.

Para activar/desactivar el Seguro para niños, mantenga presionados simultáneamente **Time (Tiempo)** y **Wrinkle Prevent (Prevenir Arrugas)** durante 3 segundos.

NOTA

Una vez activado el seguro para niños permanecerá activo incluso después que encienda la secadora nuevamente. Si otros botones, salvo el botón **Encender/Apagar**, no responden, verifique el indicador de Seguro para niños. Si el indicador está encendido, siga las instrucciones precedentes para desactivar el seguro para niños.

Drum Light (Luz Interior)

Para encender la luz del tambor con la secadora en funcionamiento, mantenga presionado **Dryness (Nivel de secado)** durante 3 segundos.

NOTA

Después de 2 minutos de inactividad, la luz del tambor se apagará automáticamente.

Sonido de Alarma Activado/Desactivado

Para apagar las señales sonoras de notificación y las melodías de la secadora, mantenga

presionado **Temp. (Temperatura)** durante 3 segundos.

Para cancelar el silencio de la secadora, presione **Temp. (Temperatura)** durante 3 segundos.

NOTA

Esta función se mantiene activa incluso después de encender la secadora nuevamente.

My Cycle (Mi Ciclo)

Puede crear su propio ciclo con sus ajustes preferidos y usarlo según su conveniencia.

1. Gire el **Selector de ciclos** para seleccionar el ciclo deseado. Se enciende el indicador de ciclo.

Funcionamiento

- Configure o modifique los ajustes (**Dryness (Nivel de secado)**, **Temp. (Temperatura)**, **Time (Tiempo)**, etc.) y/u otras opciones según sea necesario. Los indicadores correspondientes titilan.
- Mantenga presionado **My Cycle (Mi ciclo)** durante 3 segundos. La secadora guarda el ciclo seleccionado y sus ajustes.

Para utilizar Mi ciclo, presione **My Cycle (Mi ciclo)**.

NOTA

Wrinkle Prevent (Prevenir Arrugas) no está disponible con My Cycle (Mi ciclo).

Smart Care

Si la secadora muestra un código de información, puede usar Smart Care para verificar el estado de la secadora en un teléfono inteligente. Para usar Smart Care, debe tener instalada la aplicación Smart Care de Samsung en su teléfono inteligente.

NOTA

Smart Care está optimizado para Galaxy de Samsung y iPhones de Apple. (no es compatible con algunos modelos).

Descargue la aplicación Samsung Smart Washer desde Google Play Store o Apple App Store (Palabra de búsqueda: "Samsung Smart Washer/Dryer") e instálela en su teléfono inteligente.

Si aparece algún código de información en la secadora, siga estos pasos:

- Mantenga presionado **Damp Alert (Alerta de humedad)** durante 3 segundos para activar Smart Care.
- Abra la aplicación Smart Care en su teléfono inteligente.
- Coloque la cámara de su teléfono inteligente cerca de la pantalla de la secadora. La aplicación reconoce automáticamente el código de información y muestra sugerencias en su teléfono inteligente.
- Si el teléfono inteligente no reconoce el código de información más de dos veces, ingrese en forma manual el código de información en la aplicación Smart Care.

PRECAUCIÓN

- Si la luz se refleja en la pantalla de la secadora, es posible que el teléfono no reconozca el código de información.
- Si coloca el teléfono inteligente en un ángulo de la pantalla de la secadora, es posible que el teléfono no reconozca el código de información. Para obtener los mejores resultados, sostenga el teléfono inteligente en una posición paralela o casi paralela respecto al frontal del panel.
- Después de usar esta función, la secadora eliminará el registro del código de información de su registro de códigos.

Mantenimiento

Mantenga la secadora limpia para impedir la reducción del desempeño y para alargar su vida útil.

ADVERTENCIA

Ciertas partes eléctricas se han dejado intencionalmente desconectadas de la tierra física y pueden presentar un riesgo de choque eléctrico durante el mantenimiento.

Personal de mantenimiento, no tocar estas partes mientras el aparato esté encendido: Panel de control y válvula de entrada.

Limpieza

Panel de control

- Limpie con un paño suave y húmedo. No utilice sustancias abrasivas.
- No rocíe productos de limpieza líquidos directamente en la pantalla de la secadora.
- Algunos productos removedores de suciedad y manchas de tratamiento previo pueden dañar el panel de control.
- Al usar productos de limpieza líquidos, aplíquelos a la ropa. No los aplique directamente en la secadora. Limpie el líquido derramado o rociado inmediatamente.

Tambor

- Elimina las manchas del tambor con un limpiador multiuso.
- Seque toallas o trapos para eliminar restos de manchas o productos de limpieza. Las manchas pueden ser aún visibles, pero no afectarán las cargas posteriores.

Tambor de acero inoxidable

Para limpiar el tambor de acero inoxidable, use un paño humedecido con un limpiador suave, no abrasivo, adecuado para superficies que se deterioran fácilmente. Elimine los residuos del limpiador y seque con un paño limpio.

Exterior de la secadora

- Limpie con un paño suave y húmedo. No utilice sustancias abrasivas.
- Proteja la superficie de objetos afilados.
- No coloque objetos pesados ni afilados ni tampoco un envase de detergente sobre la secadora. Pueden rayar o dañar la cubierta superior de la secadora.
- La secadora tiene un acabado brillante en toda su superficie. Tenga cuidado de no rayar ni dañar la superficie.

Sistema de drenaje

- Controle y limpie el sistema de drenaje en forma anual o regular para mantener un desempeño óptimo.
- La tapa de drenaje externa debe limpiarse con más frecuencia para garantizar un flujo de aire adecuado.

Solución de problemas

Verificaciones

Si la secadora funciona en forma anormal, primero consulte la lista de problemas en la tabla siguiente y pruebe las sugerencias.

Problema	Acción
La secadora no enciende.	<ul style="list-style-type: none"> • Verifique que la secadora esté conectada. • Asegúrese de que la puerta esté adecuadamente cerrada. • Revise el fusible o reinicie el disyuntor. • Si abrió la puerta durante un ciclo, toque ▶ de nuevo. • Limpie el filtro. • Asegúrese de que la función Seguro para niños no esté activada.
La secadora no se calienta.	<ul style="list-style-type: none"> • Controle los disyuntores o fusibles de su casa. • Algunos ciclos no requieren calor. Verifique nuevamente el ciclo seleccionado. • En una secadora a gas, asegúrese de que el suministro de gas esté abierto. • Limpie el filtro para pelusas y el conducto de drenaje. • La secadora puede haberse desplazado a la fase de enfriamiento del ciclo.
Las prendas no se secan.	<p>Verifique todos los puntos anteriores. Además:</p> <ul style="list-style-type: none"> • Asegúrese de que la tapa de drenaje hacia el exterior de su casa se pueda abrir y cerrar sin inconvenientes. • Verifique que el sistema de drenaje no presente obstrucciones. Los conductos deben inspeccionarse y limpiarse todos los años. • Utilice un conducto de drenaje de metal rígido, de 4". • No la sobrecargue. 1 carga de lavado = 1 carga de secado. • Seque los artículos pesados y los livianos por separado. • Es posible que sea necesario volver a colocar los artículos grandes y voluminosos, como las cobijas o los edredones, para garantizar un secado uniforme. • Asegúrese de que la lavadora esté drenando en forma correcta y extrayendo el agua de la carga adecuadamente. • Es posible que la carga sea demasiado pequeña como para secarse correctamente. Agregue algunas toallas y reinicie la secadora. • Es posible que la carga sea demasiado grande como para secarse correctamente. Retire algunas prendas y vuelva poner en funcionamiento la secadora. • Limpie el filtro para pelusas.

Problema	Acción
La secadora hace demasiado ruido.	<ul style="list-style-type: none"> • Busque monedas, botones sueltos y otros objetos, y retírelos de inmediato. • Revise el filtro para pelusas. Retire cualesquiera prendas atoradas dentro del filtro para pelusas. • Asegúrese de que la secadora esté nivelada y se apoya firmemente sobre el suelo. • La secadora puede zumbar debido al aire que se mueve por el tambor y el ventilador. Esto es normal. • Es normal escuchar el ruido de la válvula de gas de la secadora o que el ciclo del dispositivo de calor se enciende o se apaga durante el ciclo de secado.
Las prendas no se secan de manera pareja.	<ul style="list-style-type: none"> • Las costuras, bolsillos y otras partes de la ropa son más difíciles de secar que otras. Esto es normal. • Separe las prendas pesadas de las ligeras.
La secadora emite olores.	<ul style="list-style-type: none"> • Es posible que el olor de pintura, barniz, agentes limpiadores y otros artículos domésticos haya circulado por el aire y entrado a la secadora. Si detecta tal olor, ventile completamente antes de usar la secadora. • Si seca en un área cerrada, la secadora puede elevar la temperatura ambiente. En ese caso, asegúrese de abrir una ventana y ventilar el área. • No intente secar prendas mojadas después de dejarlas mucho tiempo en la lavadora o secadora.
La secadora se apaga antes de que las prendas estén secas.	<ul style="list-style-type: none"> • La carga es demasiado pequeña. Coloque algunas pocas prendas adicionales, como toallas, y trate de secarlas de nuevo.
Las prendas tienen pelusa.	<ul style="list-style-type: none"> • Asegúrese siempre de que el filtro para pelusas esté limpio, antes de poner prendas en la secadora. Al secar prendas que generen mucha pelusa, tal vez necesite limpiar el filtro para pelusas a la mitad de un ciclo. • Algunas telas (como las toallas blancas) sueltan más pelusa y deben secarse de manera separada de las telas a las que la pelusa se pega con facilidad (como pantalones negros de lino). • Revise el interior de los bolsillos para asegurarse de que estén vacíos, antes de secar.

Solución de problemas

Problema	Acción
Prendas arrugadas después de la prevención de arrugas (Wrinkle Away (Eliminar arrugas), Wrinkle Release (Antiarrugas)).	<ul style="list-style-type: none"> • Funciona mejor con cargas pequeñas de 1 a 4 prendas. • Cargue menos prendas. Cargue prendas similares. • Retire las prendas de inmediato una vez finalizado el secado.
Gotea agua de la boquilla cuando comienzan los ciclos de vapor.	<ul style="list-style-type: none"> • Esto se debe a la condensación del vapor. El goteo de agua se detendrá en unos minutos.
No se ve el agua rociada durante los ciclos de vapor.	<ul style="list-style-type: none"> • El agua rociada es difícil de ver cuando la puerta está cerrada.
Tiempo prolongado.	<ul style="list-style-type: none"> • Secado con sensor detecta automáticamente la humedad de la carga y apaga la secadora cuando alcanza el nivel de secado seleccionado. El tiempo de secado puede variar de acuerdo con el tipo y la cantidad de prendas. Consulte la tabla de ciclos para obtener referencias.

Si el problema persiste, comuníquese con un centro de servicio local de Samsung.

Códigos de información

Si la secadora no funciona bien, puede ver un código de información en el panel de la pantalla. Para determinar qué debe hacer, consulte la lista de códigos en la tabla siguiente y pruebe las sugerencias.

Código	Acción
La puerta está abierta	La secadora funciona con la puerta abierta. <ul style="list-style-type: none"> • Asegúrese de que la puerta esté adecuadamente cerrada. • Asegúrese de que no haya ropa atrapada en la puerta.
FC	Frecuencia de fuente de alimentación no válida <ul style="list-style-type: none"> • Pruebe reiniciar el ciclo. • Si este código de información permanece, comuníquese con un centro de servicio de Samsung.
AC	Problema con el control electrónico (Comunicación inválido). <ul style="list-style-type: none"> • Comuníquese con un centro de servicio de Samsung.
HC	Verificación de calefacción de alta temperatura. <ul style="list-style-type: none"> • Limpie el filtro para pelusas. • Si este código de información permanece, comuníquese con un centro de servicio de Samsung.
9C1	Se debe revisar el control electrónico. <ul style="list-style-type: none"> • Revise que el cable de alimentación esté conectado correctamente. • Revise que el tomacorriente funciona correctamente. • Si el código de información permanece, comuníquese con un centro de servicio de Samsung.
tC	La resistencia del termistor1 es muy baja o muy alta. <ul style="list-style-type: none"> • Revise si el filtro para pelusas está obstruido. • Revise si el sistema de ventilación está restringido. • Si este código de información permanece, comuníquese con un centro de servicio de Samsung.
tC5	La resistencia del termistor2 es muy baja o muy alta. <ul style="list-style-type: none"> • Revise si el filtro para pelusas está obstruido. • Revise si el sistema de ventilación está restringido. • Si este código de información permanece, comuníquese con un centro de servicio de Samsung.
dF	Interruptor de la puerta incorrecto. <ul style="list-style-type: none"> • Comuníquese con un centro de servicio de Samsung.





Si un código de información sigue apareciendo en la pantalla, comuníquese con un centro de servicio de Samsung.

Especificaciones

Tabla de indicaciones sobre telas

Los siguientes símbolos ofrecen indicaciones acerca del cuidado de las prendas. La etiqueta de indicaciones de la prenda incluye símbolos para secado, blanqueado, planchado y limpieza en seco. El uso de símbolos garantiza la consistencia entre los fabricantes textiles de artículos nacionales e importados. Siga las indicaciones de la etiqueta para optimizar la vida útil de la prenda y reducir los problemas del lavado.

Ciclo de lavado

	Normal
	Plancha permanente/ Antiarrugas/Control de arrugas
	Prendas suaves / delicadas
	Lavado a mano

Temperatura del agua




...	Caliente
..	Tibia
.	Fría





NOTA

La tabla de la temperatura del agua presenta las temperaturas del agua del lavado apropiadas para diversas prendas. El rango de temperatura es de 106 - 126 °F (41 - 52 °C) para Caliente, 84 - 106 °F (29 - 41 °C) para Tibia y 61 - 84 °F (16 - 29 °C) para Fría. (La temperatura del agua del lavado debe alcanzar un mínimo de 61 °F (16 °C) para que se active el detergente y se logre un lavado eficaz.)




Blanqueador

	Cualquier blanqueador (cuando sea necesario)
	Solo blanqueador sin cloro (protección del color) (si es necesario)
	Secar en secadora






Normal

	Plancha permanente/ Antiarrugas/Control de arrugas
	Prendas suaves / delicadas



Instrucciones especiales

	Secar colgado/tender
	Colgar para que escurra
	Secar en posición horizontal







Secado con calor

	Alto
	Medio
	Bajo
	Cualquier calor
	Sin calor/aire






Temperaturas de secado con plancha o vapor

	Alto
	Medio
	Bajo

Símbolos de advertencia para el lavado

	No lavar
	No retorcer
	No usar lejía
	No secar en secadora
	Sin vapor (agregado a la plancha)
	No planchar

Limpiar en seco

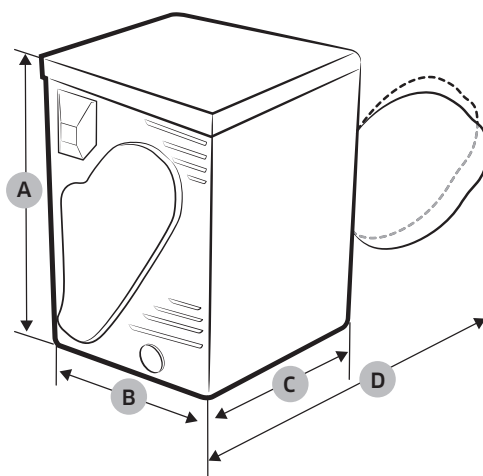
	Limpiar en seco
	No limpiar en seco
	Secar colgado/tender
	Colgar para que escurra
	Secar en posición horizontal

Protección del medio ambiente

Este electrodoméstico se fabrica con materiales reciclables. Si decide desechar este electrodoméstico, siga la normativa local relacionada con la eliminación de desechos. Corte el cable de alimentación para que el electrodoméstico no pueda conectarse a una fuente de alimentación. Retire la puerta para que los animales y los niños pequeños no puedan quedar atrapados dentro del electrodoméstico.

Especificaciones

Hoja de especificaciones



Tipo		Secadora de carga frontal
Dimensiones (pulg. (mm))	A. Altura	33.5 (850)
	B. Ancho	23.6 (600)
	C. Profundidad	25.8 (655)
	D. Profundidad con la puerta abierta 90°	43.3 (1101)
Capacidad (pies cúbicos)		4.0
Peso neto	lb (kg)	88 (40)
Potencia del calentador (W)		750

Tabla de ciclos

NOTA

Para obtener los mejores resultados, siga las recomendaciones sobre el tamaño de la carga para cada ciclo de secado.

- Carga grande: Llene $\frac{3}{4}$ del tambor. No agregue prendas por encima de este nivel para que puedan dar vueltas con libertad.
- ◐ Carga media: Llene $\frac{1}{2}$ del tambor.
- Carga pequeña: Coloque de 3 a 5 prendas y no llene más de $\frac{1}{4}$ del tambor.

Ciclo		Prendas recomendadas	Tamaño de la carga	Dryness (Nivel de secado)
Sensor Dry (Secado con sensor)	NORMAL	Algodón, ropa de trabajo, ropa de cama y de mesa, cargas mixtas	●	Secado Normal (Ajustable)
	HEAVY DUTY (CARGA PESADA)	Telas resistentes, tales como jeans, pana y ropa de trabajo pesado	◐	Secado Normal (Ajustable)
	SANITIZE (ESTERILIZAR)	Ropa de cama, cortinas, prendas para niños	◑	Muy seco (sin cambios)
	WOOL (LANA)	Únicamente para lana que pueda lavarse en lavadora y secarse en secadora (Cantidad máxima: 3lb)	○	Secado Normal (Sin cambios)
	DELICATES (DELICADOS)	Ropa interior, blusas, lencería	◐	Secado Normal (Ajustable)
	ACTIVEWEAR (ROPA DEPORTIVA)	Prendas impermeables, prendas de entrenamiento, ropa deportiva	◑	Secado Normal (Sin cambios)
	TOWELS (TOALLAS)	Toallas de baño y prendas similares	●	Secado Normal (Ajustable)
	PERM PRESS (PLANCHADO PERMANENTE)	Camisas, telas sintéticas, tejidos, prendas de algodón sin arrugas y telas con planchado	◑	Secado Normal (Ajustable)
Manual Dry (Secado Manual)	QUICK DRY (SECADO RÁPIDO)	Carga pequeña	○	-
	TIME DRY (TIEMPO DE SECADO)	Cualquier carga	●	-
	AIR FLUFF (TEMP. AMBIENTE)	Espuma, goma, plástico	◑	-
	WRINKLE RELEASE (ANTIARRUGAS)	Camisas, pantalones, blusas	◑	-

Especificaciones

NOTA

- : configurado de fábrica, ●: se puede seleccionar

Ciclo		Configuración de la temperatura					Configuración de tiempo
		High (Alto)	Medium (Medio)	Med Low (Med-Bajo)	Low (Bajo)	Extra Low (Extra Bajo)	
Sensor Dry (Secado con sensor)	NORMAL	-	●	-	-	-	-
	HEAVY DUTY (CARGA PESADA)	●	-	-	-	-	-
	SANITIZE (ESTERILIZAR)	●	-	-	-	-	-
	WOOL (LANA)	-	-	-	●	-	-
	DELICATES (DELICADOS)	-	-	-	-	●	-
	ACTIVEWEAR (ROPA DEPORTIVA)	-	-	-	●	-	-
	TOWELS (TOALLAS)	●	-	-	-	-	-
	PERM PRESS (PLANCHADO PERMANENTE)	-	●	-	-	-	-
Manual Dry (Secado Manual)	QUICK DRY (SECADO RÁPIDO)	●	-	-	-	-	●
	TIME DRY (TIEMPO DE SECADO)	●	●	●	●	●	●
	AIR FLUFF (TEMP. AMBIENTE)	-	-	-	-	-	●
	WRINKLE RELEASE (ANTIARRUGAS)	-	-	●	●	●	●

Ciclo		Damp Alert (Alerta de humedad)	Wrinkle Prevent (Prevenir Arrugas)	Adjust Time (Ajustar Tiempo)
Sensor Dry (Secado con sensor)	NORMAL	●	●	-
	HEAVY DUTY (CARGA PESADA)	●	●	-
	SANITIZE (ESTERILIZAR)	-	●	-
	WOOL (LANA)	-	●	-
	DELICATES (DELICADOS)	●	●	-
	ACTIVEWEAR (ROPA DEPORTIVA)	-	●	-
	TOWELS (TOALLAS)	●	●	-
	PERM PRESS (PLANCHADO PERMANENTE)	●	●	-
Manual Dry (Secado Manual)	QUICK DRY (SECADO RÁPIDO)	-	●	●
	TIME DRY (TIEMPO DE SECADO)	-	●	●
	AIR FLUFF (TEMP. AMBIENTE)	-	●	●
	WRINKLE RELEASE (ANTIARRUGAS)	-	●	●

Garantía (Estados Unidos)

SECADORA SAMSUNG

GARANTÍA LIMITADA AL COMPRADOR ORIGINAL CON PRUEBA DE COMPRA

El presente producto de la marca SAMSUNG, tal como lo provee y distribuye SAMSUNG ELECTRONICS AMERICA, INC. (SAMSUNG) y lo entrega como nuevo, en su caja de cartón original al comprador o consumidor original, está garantizado por SAMSUNG contra defectos de fabricación de los materiales o la mano de obra durante el período limitado de la garantía, a partir de la fecha

original de compra, de:

un (1) año para todas las piezas y la mano de obra

La presente garantía limitada es válida únicamente para productos comprados y usados en Estados Unidos que fueron instalados, operados y mantenidos de acuerdo con las instrucciones adjuntas o provistas con el producto. Para recibir el servicio técnico en garantía, el comprador debe comunicarse con SAMSUNG en la dirección o el teléfono que figuran más abajo con el fin de que se determine el problema y los procedimientos del servicio. El servicio técnico de la garantía sólo puede ser prestado por un centro de servicio técnico autorizado de SAMSUNG. Para recibir el servicio técnico en garantía debe presentarse la factura original de compra fechada bajo solicitud de SAMSUNG o del Centro de Servicio autorizado Samsung como prueba de compra.

Samsung brindará servicio técnico a domicilio dentro del territorio contiguo de Estados Unidos durante el período de garantía sin cargo, sujeto a la disponibilidad de los centros de servicio autorizados por SAMSUNG dentro de la zona geográfica del cliente. Si el servicio técnico a domicilio no está disponible, SAMSUNG puede, a su elección, optar por transportar el producto hasta y desde un centro de servicio técnico autorizado. Si el producto está ubicado en una zona en la que no se encuentra disponible ningún centro de servicio autorizado por SAMSUNG, usted podrá ser responsable del cargo por transporte o se le podrá requerir que entregue el producto a un centro de servicio autorizado por SAMSUNG para recibir asistencia técnica.

Para recibir el servicio técnico a domicilio, el producto no debe presentar obstrucciones y debe ser accesible para el agente del servicio técnico.

Garantía (Estados Unidos)

Durante el periodo de garantía aplicable, el producto se reparará o se reemplazará, o se devolverá el importe de compra, a la entera discreción de SAMSUNG. SAMSUNG podrá usar piezas nuevas o reacondicionadas para la reparación del producto, así como reemplazar el producto por un producto nuevo o reacondicionado. La vigencia de la garantía de las piezas y los productos reemplazados será por el período restante de la garantía original del producto o por un período de noventa (90) días, el que sea el más largo. Todas las piezas y los productos reemplazados son propiedad de SAMSUNG y deben ser devueltos a SAMSUNG.

La presente garantía limitada cubre defectos de fabricación de los materiales o la mano de obra encontrados durante el uso normal y doméstico de este producto y no cubrirá lo siguiente: daños que ocurran durante el envío, entrega e instalación y usos para los cuales el presente producto no fue destinado; daños causados por modificación o alteración no autorizada del producto; producto cuyos números de serie originales de fábrica fueron eliminados, desfigurados, alterados en algún modo o que no se puedan determinar fácilmente; daños cosméticos incluyendo rayones, hendiduras, abolladuras y otros daños al acabado del producto; daño causado por abuso o mal uso, plagas, accidente, incendio, inundación u otros casos fortuitos o de fuerza mayor; daño causado por el uso de equipo, utilidades, servicios, piezas, suministros, accesorios, aplicaciones, instalaciones, reparaciones, cableado externo o conectores no provistos ni autorizados por SAMSUNG; daño causado por línea eléctrica o voltaje incorrecto, fluctuaciones y sobretensión; daño causado por no operar y mantener el producto de acuerdo con las instrucciones; instrucción a domicilio acerca de cómo usar el producto; y servicio técnico para corregir una instalación que no cumpla con los códigos eléctricos o de plomería o corrección de cableado eléctrico o tuberías (es decir, cableado doméstico, fusibles o mangueras de entrada de agua). El costo de reparación o reemplazo bajo estas circunstancias excluidas será responsabilidad del cliente.

Las visitas de un Ingeniero de reparaciones para explicar funciones, el mantenimiento o la instalación no están cubiertas por la garantía. Contacte con su agente de Samsung para que lo ayude con cualquiera de estos problemas.

EXCLUSIÓN DE GARANTÍAS IMPLÍCITAS

LAS GARANTÍAS IMPLÍCITAS, INCLUYENDO GARANTÍAS IMPLÍCITAS DE COMERCIALIZACIÓN O APTITUD PARA UN PROPÓSITO EN PARTICULAR, ESTÁN LIMITADAS A UN AÑO O AL PERIODO MÁS CORTO PERMITIDO POR LA LEY. Algunos estados no permiten limitaciones en cuanto al periodo de vigencia de una garantía implícita, de tal forma que las limitaciones o exclusiones mencionadas tal vez no se apliquen a usted en particular. Esta garantía le otorga derechos específicos, y además puede tener otros derechos que varían según el Estado en el que se encuentre.

LIMITACIÓN DE RECURSOS

EL ÚNICO Y EXCLUSIVO RECURSO ES LA REPARACIÓN DEL PRODUCTO, EL REEMPLAZO DEL PRODUCTO O LA DEVOLUCIÓN DEL IMPORTE DE COMPRA, A DISCRECIÓN DE SAMSUNG, CONFORME A ESTA GARANTÍA LIMITADA. SAMSUNG NO SERÁ RESPONSABLE POR DAÑOS ESPECIALES, IMPREVISTOS O DERIVADOS, INCLUYENDO ENTRE OTROS, TIEMPO FUERA DEL TRABAJO, HOTELES Y/O COMIDAS EN RESTAURANTES, GASTOS DE REMODELACIÓN, PÉRDIDAS DE INGRESOS O GANANCIAS, INCAPACIDAD DE GENERAR AHORROS U OTROS BENEFICIOS INDEPENDIEMENTE DE LA TEORÍA LEGAL EN LA QUE SE BASE EL RECLAMO, E INCLUSO SI SAMSUNG HA SIDO ADVERTIDA DE LA POSIBILIDAD DE DICHOS DAÑOS. Algunos estados no permiten la exclusión o la limitación de daños imprevistos o derivados, por lo que las limitaciones o exclusiones mencionadas tal vez no se apliquen a usted en particular. Esta garantía le otorga derechos específicos, y además puede tener otros derechos que varían según el Estado en el que se encuentre.

SAMSUNG no garantiza el funcionamiento ininterrumpido o sin errores del producto. Ningún aval o garantía otorgados por otra persona, compañía o corporación con respecto al presente producto revestirá carácter vinculante para SAMSUNG.

Para recibir un servicio técnico de garantía, comuníquese con SAMSUNG a:

Samsung Electronics America, Inc.

85 Challenger Road

Ridgefield Park, NJ 07660

1-800-SAMSUNG (726-7864)

www.samsung.com/us/support

Garantía (CANADÁ)

SECADORA SAMSUNG

GARANTÍA LIMITADA PARA EL COMPRADOR ORIGINAL

El presente producto de la marca SAMSUNG, tal como lo provee y distribuye SAMSUNG ELECTRONICS CANADA, INC. (SAMSUNG) y lo entrega nuevo, en su embalaje de cartón original al comprador o consumidor original, está garantizado por SAMSUNG contra defectos de fabricación de los materiales y la mano de obra durante el período limitado de la garantía de:

- Un (1) año para las piezas y la mano de obra

La presente garantía limitada comienza en la fecha original de compra y es válida únicamente para productos comprados y usados en Canadá.

Para recibir el servicio técnico de la garantía, el comprador debe comunicarse con SAMSUNG con el fin de que se determine el problema y los procedimientos del servicio. El servicio técnico de la garantía sólo puede ser prestado por un centro de servicio técnico autorizado de SAMSUNG.

Se debe presentar la factura de compra original como prueba de compra a SAMSUNG o al servicio técnico autorizado de SAMSUNG.

SAMSUNG prestará servicio técnico a domicilio durante el período de la garantía sin costo, sujeto a la disponibilidad dentro de Canadá.

El servicio técnico a domicilio no está disponible en todas las áreas.

Para recibir el servicio técnico a domicilio, el producto no debe presentar obstrucciones y debe ser accesible para el agente del servicio técnico.

Si el servicio técnico no está disponible, SAMSUNG puede optar por transportar el producto hasta y desde el servicio técnico autorizado.

SAMSUNG reparará, reemplazará el producto u ofrecerá un reembolso a su criterio y sin cargo adicional, tal como se establece en la presente garantía, con piezas o productos nuevos o reacondicionados si se comprueba que es defectuoso durante el período limitado de la garantía especificado anteriormente.

Todas las piezas y los productos reemplazados pasan a ser propiedad de SAMSUNG y deben ser devueltos a SAMSUNG.

Las piezas y los productos reemplazados asumen la garantía original que resta, o noventa (90) días, el período que sea el más prolongado.

La presente garantía limitada cubre defectos de fabricación de los materiales y la mano de obra encontrados durante el uso normal y doméstico de este producto y no será válida para lo siguiente: daños que ocurran durante el envío; entrega e instalación; aplicaciones y usos para los cuales el presente producto no fue destinado; números de serie o producto alterados; daño cosmético o acabado exterior; accidentes, abuso, descuido, incendio, inundación, caída de rayos, u otros casos fortuitos o de fuerza mayor; uso de productos, equipo, sistemas, utilidades, servicios, piezas, suministros, accesorios, aplicaciones, instalaciones, reparaciones, cableado externo o conectores no provistos ni autorizados por SAMSUNG que dañen este producto o que acarreen problemas en el servicio; voltaje de la línea eléctrica incorrecto, fluctuaciones y sobretensión; ajustes del cliente e incumplimiento de lo establecido en el manual de instrucciones, instrucciones de mantenimiento y ambientales que están cubiertas y recomendadas en el manual de instrucciones; traslado y reinstalación del producto; problemas causados por plagas.

La presente garantía limitada no cubre problemas derivados de la corriente, el voltaje o el suministro eléctrico incorrectos, las bombillas de luz, los fusibles de la casa, el cableado de la casa, el costo del servicio técnico para recibir instrucciones o corregir errores en la instalación.

SAMSUNG no garantiza el funcionamiento ininterrumpido o sin errores del producto.

SALVO LO ESTABLECIDO EN LA PRESENTE GARANTÍA, NO EXISTEN GARANTÍAS SOBRE EL PRESENTE PRODUCTO, YA SEAN EXPRESAS O TÁCITAS, Y SAMSUNG DESCONOCE TODAS LAS GARANTÍAS QUE INCLUYEN, AUNQUE NO EN CARÁCTER TAXATIVO, CUALQUIER GARANTÍA TÁCITA DE QUE EL PRODUCTO SE ENCUENTRA EN CONDICIONES APTAS PARA LA VENTA, DE DEFRAUDACIÓN DE DERECHOS O DE QUE EL PRODUCTO SE ADECUA A LOS FINES ESPECÍFICOS PARA LOS CUALES SE ADQUIERE.

NINGÚN AVAL O GARANTÍA OTORGADOS POR PERSONA, COMPAÑÍA O CORPORACIÓN ALGUNA CON RESPECTO AL PRESENTE PRODUCTO REVESTIRÁ CARÁCTER VINCULANTE PARA SAMSUNG.

SAMSUNG NO SERÁ RESPONSABLE POR PÉRDIDA DE INGRESOS O LUCRO CESANTE, IMPOSIBILIDAD DE GENERAR AHORROS U OBTENER OTROS BENEFICIOS, O CUALQUIER DAÑO DERIVADO DE CIRCUNSTANCIAS ESPECIALES, DAÑO IMPREVISTO O DERIVADO CAUSADO POR EL USO, USO INCORRECTO, O INCAPACIDAD PARA USAR EL PRESENTE PRODUCTO, INDEPENDIEMENTE DE LA TEORÍA LEGAL EN QUE SE FUNDE EL RECLAMO Y AUN CUANDO SE LE HAYA NOTIFICADO A SAMSUNG DE LA POSIBILIDAD DE TALES DAÑOS.

NINGÚN RESARCIMIENTO DE NINGUNA ÍNDOLE CONTRA SAMSUNG SUPERARÁ EL MONTO DE COMPRA DEL PRODUCTO VENDIDO POR SAMSUNG Y CAUSANTE DEL PRESUNTO DAÑO.

Garantía (CANADÁ)

SIN LIMITAR LO PRECEDENTE, EL COMPRADOR ASUME TODO EL RIESGO Y LA RESPONSABILIDAD POR PÉRDIDA, DAÑO O LESIÓN AL COMPRADOR Y A LOS BIENES DEL COMPRADOR Y A TERCEROS Y A SUS BIENES DERIVADOS DEL USO, USO INCORRECTO O INCAPACIDAD PARA USAR EL PRESENTE PRODUCTO.

LA PRESENTE GARANTÍA LIMITADA NO SE EXTENDERÁ A NINGUNA PERSONA DISTINTA DEL COMPRADOR ORIGINAL DEL PRESENTE PRODUCTO, ES INTRANSFERIBLE Y ESTABLECE SU EXCLUSIVA REPARACIÓN.

Algunas provincias no permiten limitaciones en cuanto al plazo de una garantía implícita, o la exclusión o limitación de daños imprevistos o derivados, por lo que las limitaciones o exclusiones antedichas pueden no aplicarse en su caso.

Esta garantía le otorga derechos específicos, y además puede tener otros derechos que varían según la provincia en la que se encuentre.

Para recibir un servicio técnico de garantía, comuníquese con SAMSUNG a:

Samsung Electronics Canada Inc.

2050 Derry Road West,

Mississauga, Ontario L5N 0B9 Canada

1-800-SAMSUNG (726-7864)

www.samsung.com/ca/support (English)

www.samsung.com/ca_fr/support (French)

Las visitas de un Ingeniero de reparaciones para explicar funciones, el mantenimiento o la instalación no están cubiertas por la garantía.

Contacte con su agente de Samsung para que lo ayude con cualquiera de estos problemas.





Scan the QR code* or visit
www.samsung.com/spsn
to view our helpful
How-to Videos and Live Shows

*Requires reader to be installed on your smartphone

Scan this with your smartphone

¿TIENE PREGUNTAS O COMENTARIOS?

PAÍS	LLAME A	O VISITE NUESTRA PÁGINA WEB
U.S.A	1-800-SAMSUNG (726-7864) 1-844-SAM-PAYS (726-7297)	www.samsung.com/us/support
CANADA	1-800-SAMSUNG(726-7864) 1-844-SAM-PAYS (726-7297)	www.samsung.com/ca/support (English) www.samsung.com/ca_fr/support (French)