

# DV25B6800HW

SAMSUNG

4.0 cu. ft. 24" Front-Load Electric Dryer (Heat Pump)



## Signature Features

### Smart Care

Troubleshoot with your smartphone. Perform a quick diagnosis of your washer and dryer right from your smartphone.\*

### Sensor Dry

Automatically adjusts drying time by sensing moisture so your clothes don't over-or-under dry.

### 12 Drying Cycles

Multiple cycles for better drying include: Normal, Heavy Duty, Towels, Permanent Press, Active Wear, Delicates, Wool, Sanitize, Time Dry, Air Fluff, Quick Dry, Wrinkle Release.

## Available Colour



White



Smart Care



Sensor Dry

## Features

- Smart Care™
- Sensor Dry
- 12 Preset Drying Cycles
- 8 Options
- Stainless Steel Drum
- 5 Temperature Settings (vented)
- 5 Timed Dry Settings (vented)
- 4-Way Venting (vented)
- Dryer Drum Light
- Reversible See-Through Door

## Convenience

- Child Lock
- Filter Check Indicator

## Rating



- ENERGY STAR® - Rated
- kWh/cycle = 0.49
- DOE energy factor = 5.8 lb/kWh
- Yearly Energy Consumption = 148 kWh/year

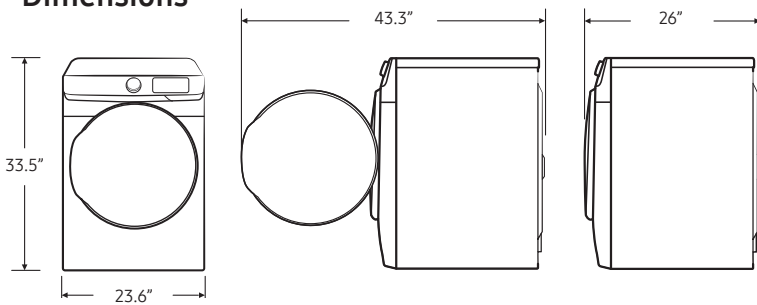
\*Samsung Smart Washer/Dryer app is available at the App Store. Please check app for compatibility with your smartphone before downloading.

# DV25B6800HW

# SAMSUNG

## 4.0 cu. ft. 24" Front-Load Electric Dryer (Heat Pump)

### Dimensions



### 4.0 cu. ft. Capacity IEC

4-Way Venting

### 12 Preset Dry Cycles:

Normal, Heavy Duty, Towels, Permanent Press, Active Wear, Delicates, Wool, Sanitize (vented), Shirt, Time Dry, Air Fluff, Quick Dry, Wrinkle Release.

### 8 Options:

Mixed Load Bell, Wrinkle Prevent, My Cycle, Adjust Time, Sound, Child Lock, Smart Care, Drum Light

### 5 Temperature Settings (vented):

High, Medium, Medium Low, Low, Extra Low

### 3 Dry Levels:

Very Dry, Normal Dry, Damp Dry

### Warranty

One (1) Year Labour

### Stacking Kit

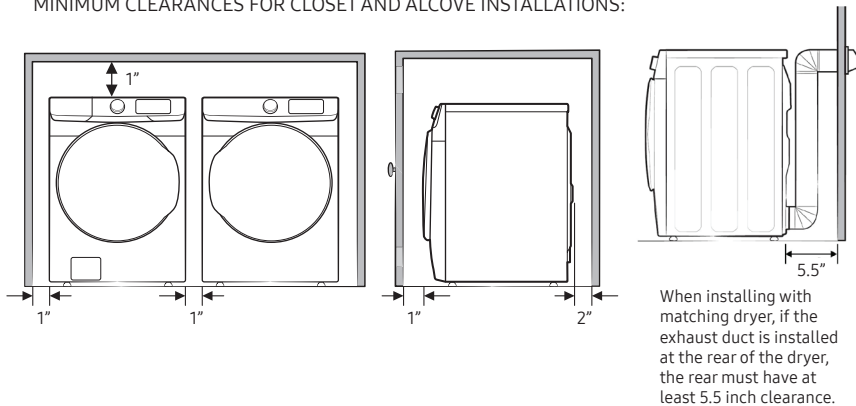
Included with the compact dryer SK-DH UPC Code: 887276151052

### Installation Specifications

If the washer and dryer are installed together or the dryer alone, the closet front must have two unobstructed air openings for a combined minimum total area of 72 in<sup>2</sup> (see stacked build below). Your washer alone does not require a specific air opening.

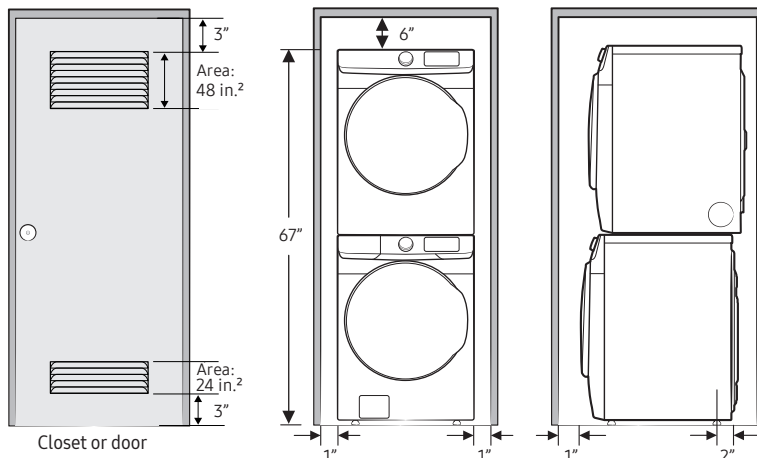
#### 1. Alcove or closet installation

MINIMUM CLEARANCES FOR CLOSET AND ALCOVE INSTALLATIONS:



Electrical Requirement	240V/60Hz (may operate in 208V with longer drying time)
Max Wattage	2500 W
Stacking Kit	Included in dryer package
Power Cord Length	59"

#### 2. With stacked washer and dryer



### Product Dimensions & Weight (WxHxD)

Dimensions: 23 3/50" x 33 1/2" x 26"

Weight: 110 lbs (50 kg)

### Shipping Dimensions & Weight (WxHxD)

Dimensions: 26 1/4" x 35" x 27 1/2"

Weight: 121 lbs (55 kg)

<b>Heat Pump Dryer</b> Colour: White	<b>Model #</b> DV25B6800HW/AC	<b>UPC Code</b> 887276665177
<b>Vented Dryer</b> Colour: White	<b>Model #</b> DV25B6800EW/AC	<b>UPC Code</b> 887276665160
<b>Matching Washer</b> Colour: White	<b>Model #</b> WW25B6800AW/AC	<b>UPC Code</b> 887276650302