

DVE45B6305P

SAMSUNG

Samsung Smart Front Load Electric Dryer with Steam Sanitize+
7.5 cu. ft. Capacity DOE



Signature Features

SmartThings Enabled

Wi-Fi connected so you can remotely start or stop your cycle, schedule laundry on your time, receive end of cycle alerts, and more right from your smartphone.¹

Steam Sanitize+

The Steam Sanitize+ cycle removes 99.9% of germs and bacteria, over 95% of pollen, and kills 100% of dust mites². Multi-Steam Technology steams away wrinkles, odors, and static.

Sensor Dry

Automatically optimizes the time and temperature of your drying cycle to protect your clothes from heat damage, while avoiding excess energy use.

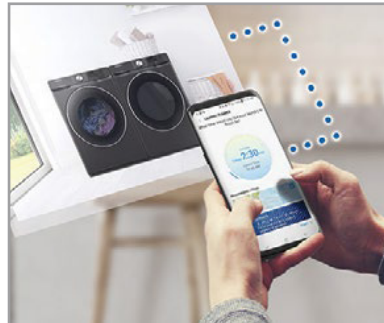
Available Colours



Platinum (shown)



Champagne



SmartThings Enabled



Steam Sanitize+

Features

- SmartThings Enabled
- Steam Sanitize+
- Sensor Dry
- Vent Sensor
- Interior Drum Light
- 12 Preset Drying Cycles
- 10 Additional Drying Options
- 5 Temperature Levels
- 4-Way Venting (3-Way for Gas)
- Dual Heaters
- Reversible Tempered Glass Door
- LED Display: Ice Blue

Convenience

- Child Lock
- Filter Check Indicator

Rating



- ENERGY STAR® - Rated
- Energy Consumption (annual) = 608 kWh/yr

¹ Samsung Smart Washer/Dryer app is available at the App Store. Please check app for compatibility with your smartphone before downloading.

² Based on internal testing and independently verified by Intertek. Individual results may vary.

³ For J.D. Power 2020 award information, visit jdpower.com/awards



#1 Highest in Customer Satisfaction with Clothes Dryers in the U.S.,
3 Years in a Row.³

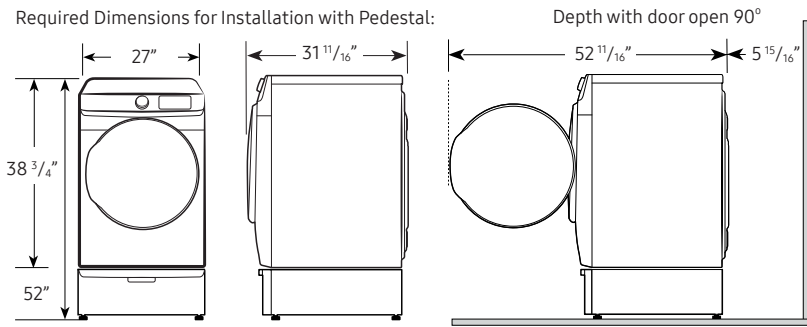
DVE45B6305P

SAMSUNG

Samsung Smart Front Load Electric Dryer with Steam Sanitize+ 7.5 cu. ft. Capacity DOE

Dimensions

Required Dimensions for Installation with Pedestal:



7.5 cu. ft. Capacity

4-Way Venting (Electric)

3-Way Venting (Gas)

12 Preset Drying Cycles:

Refresh, Steam Sanitize+, Normal, Heavy Duty, Permanent Press, Active Wear, Bedding, Delicates, Time Dry, Air Fluff, Quick Dry, Downloaded

9 Additional Downloaded Cycles:

Wrinkle Away, Eco Normal, Towels, Wool, Sanitize, Shirts, Denim, Low Temperature, Rack Dry

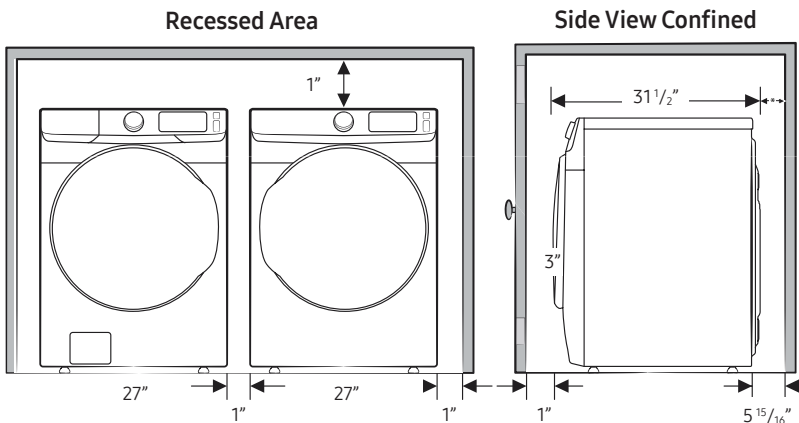
Installation Specifications

If the washer and dryer are installed together or the dryer alone, the closet front must have two unobstructed air openings for a combined minimum total area of 72 in² (see stacked build below). Your washer alone does not require a specific air opening.

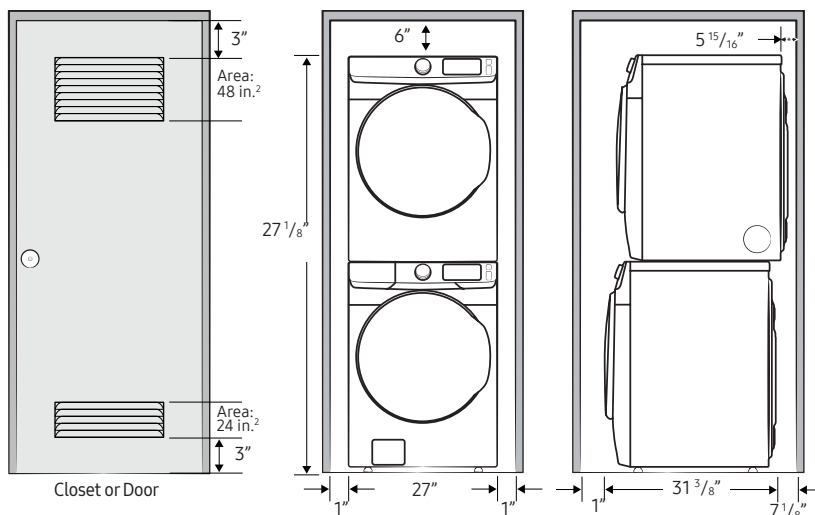
* Required spacing (External exhaust elbow may require additional space.)

1. Alcove or closet installation

MINIMUM CLEARANCES FOR CLOSET AND ALCOVE INSTALLATIONS:



2. With stacked washer and dryer



10 Additional Drying Options:

Damp Alert, Wrinkle Prevent, Smart Control, Adjust Time (Up), Adjust Time (Down), Eco Dry, Drum Light, Child Lock, Smart Care, Alarm Off

5 Temperature Levels:

High, Medium High, Medium, Medium Low, Low

5 Dry Levels:

More Dry, Normal-More Dry, Normal Dry, Normal-Less Dry, Less Dry

Warranty

One (1) Year Parts and Labour

Product Dimensions & Weight (WxHxD)

Dimensions: 27" x 38 3/4" x 31 1/2"

Weight: 123 lbs (55.8 kg)

Shipping Dimensions & Weight (WxHxD)

Dimensions: 29 3/8" x 42 9/16" x 33 1/2"

Weight: 130 lbs (59 kg)

Electric Dryer

Platinum Model # DVE45B6305P 887276652153

Champagne Model # DVE45B6305AC 887276652146

Matching Washer

Platinum Model # WF45B6300AP 887276627410

Champagne Model # WF45B6300AC 887276627403

Gas Dryer

Platinum Model # DVG45B6305P 887276652146

Matching Pedestal

Platinum Model # WE402NP 887276310145

Champagne Model # WE402NC 887276310121

Accessories

Stacking Kit Model # SKK-8K 887276344034