

Range Hood

Installation & User Manual

NK30CB600W**/NK36CB600W**



SAMSUNG

Contents

Important Safety Instructions	3	Activates/Deactivates Boost mode	24
Installation Requirements	7	Makeup Air	25
General Specifications	7	Using the lighting	25
Mounting Height	7	Wi-Fi On/Off	25
Venting Methods	8	Automatic operation to prevent range hood overheating	25
Parts List	8	Entering AP(Access Point)	26
Sub-Parts List	9	Delay off	26
Additional Purchase Accessories	9	Error indication	27
Needed Parts list (Not Supplied)	9	Bixby	27
Installation Clearances	10	Amazon Alexa & Google Assistant	27
Making a hole in the furniture	10	Installation Guide	27
Installation	11	Cleaning and Maintenance	28
Setting the Location	11	Cleaning the range hood	28
Connecting the Vent System	12	Cleaning the Filters	28
Installing the Range Hood	13	Replacing the LED Lamp	28
Electrical Connection	14	SmartThings app	29
Connect the filter support cable	17	Open Source Announcement	30
Installing the Recirculation Kit	18	Troubleshooting	31
Electrical Connection	18	General	31
Range Hood Description	23	Hood Operation	31
Range Hood Overview	23	Information codes	31
Button panel	23	Warranty (USA)	32
Using the Range Hood	24	Warranty (CANADA)	34
Turning the Range Hood On or Off	24		
Changing the operation mode	24		

Important Safety Instructions

APPROVED FOR RESIDENTIAL APPLIANCES FOR RESIDENTIAL USE ONLY
READ AND SAVE THESE INSTRUCTIONS

PLEASE READ THE ENTIRE INSTALLATION GUIDE BEFORE PROCEEDING.
INSTALLATION MUST COMPLY WITH ALL LOCAL CODES.

IMPORTANT: Save these instructions for the local electrical inspector's use.

INSTALLER: Please leave these Instructions with this unit for the owner.

OWNER: Please retain these instructions for future reference.

Symbols used in this manual

WARNING

Hazards or unsafe practices that may result in severe personal injury or death.

CAUTION

Hazards or unsafe practices that may result in electric shock, personal injury, or property damage.

NOTE

Useful tips and instructions

These warning icons and symbols are here to prevent injury to you and others.
Please follow them explicitly. After reading this section, keep it in a safe place for future reference.

WARNING

Turn off the power circuit in the service panel and lock out panel before wiring this appliance.

Installation requires a branch circuit of 120 VAC, 60 Hz, and 15 or 20 A.

State of California Proposition 65 warning (US only)

WARNING

This product contains chemicals known to the State of California to cause cancer and birth defects or other reproductive harm.

1. FCC Notice

CAUTION

FCC CAUTION: Any changes or modifications not expressly approved by the party responsible for compliance could void the user's authority to operate the equipment.

This device complies with Part 15 of the FCC Rules. Operation is subject to the following two conditions:

- 1) This device may not cause harmful interference, and
- 2) This device must accept any interference received, including interference that causes undesired operation.

For products sold in the US and Canadian markets, only channels 1-11 are available. You cannot select any other channels.

FCC STATEMENT:

This equipment has been tested and found to be in compliance within the limits for a Class B digital device, pursuant to part 15 of the FCC Rules. These limits are designed to provide reasonable protection against harmful interference in a residential installation.

This equipment generates, uses, and can radiate radio frequency energy and, if not installed and used in accordance with the instructions, may cause harmful interference with radio communications.

However, there is no guarantee that interference will not occur in a particular installation. If this equipment does cause harmful interference to radio or television reception, which can be determined by turning the equipment off and on, the user is encouraged to try to correct the interference by one or more of the following measures:

- Reorienting or relocating the receiving antenna
- Increasing the separation between the equipment and receiver
- Connecting the equipment to an outlet that is on a different circuit than the radio or TV.
- Consulting with a dealer or an experienced radio/TV technician for help.

Important Safety Instructions

FCC RADIATION EXPOSURE STATEMENT:

This equipment complies with FCC radiation exposure limits set forth for an uncontrolled environment. This equipment should be installed and operated so there is at least 8 inches (20 cm) between the radiator and your body. This device and its antenna(s) must not be co-located or operated in conjunction with any other antenna or transmitter.

2. IC Notice

The term "IC" before the radio certification number only signifies that Industry Canada technical specifications were met. Operation is subject to the following two conditions: (1) this device may not cause interference, and (2) this device must accept any interference, including interference that may cause undesired operation of the device.

This Class B digital apparatus complies with Canadian ICES-003. For products sold in the US and Canadian markets, only channels 1-11 are available. You cannot select any other channels.

IC RADIATION EXPOSURE STATEMENT:

This equipment complies with the IC RSS-102 radiation exposure limits set forth for an uncontrolled environment. This equipment should be installed and operated so there is at least 8 inches (20 cm) between the radiator and your body. This device and its antenna(s) must not be co-located or operated in conjunction with any other antenna or transmitter.

WARNING

TO REDUCE THE RISK OF FIRE, ELECTRIC SHOCK, OR INJURY TO PERSONS, OBSERVE THE FOLLOWING PRECAUTIONS:

- Use this unit only in the manner intended by the manufacturer. If you have questions, contact the manufacturer.
- Before servicing or cleaning the unit, switch the power off at the service panel and lock the service panel to prevent the power from being switched on accidentally. If the service panel cannot be locked, securely fasten a prominent warning device, such as a tag, to the service panel.
- The installation work and electrical wiring must be done by qualified person(s) in accordance with all applicable codes and standards, including fire-rated construction.
- Sufficient air is needed for proper combustion and the exhausting of gases through the flue (chimney) of the fuel burning equipment to prevent backdrafting. Follow the heating equipment manufacturer's guidelines and safety standards, such as those published by the National Fire Protection Association (NFPA), the American Society for Heating, Refrigeration and Air Conditioning Engineers (ASHRAE), and the local code authorities.
- When cutting or drilling into the wall or ceiling, do not damage electrical wiring or other hidden utilities.
- Ducted fans must always be vented outdoors.

CAUTION

For general ventilating use only. Do not use to exhaust hazardous or explosive materials and vapors.

CAUTION

To reduce the risk of fire and to properly exhaust air, be sure to duct air outside - do not vent exhaust air into spaces enclosed within walls, ceilings, attics, or into crawl spaces or garages.

▲ WARNING

TO REDUCE THE RISK OF FIRE, USE ONLY METAL DUCTWORK.

▲ WARNING

TO REDUCE THE RISK OF A RANGE TOP GREASE FIRE:

- Never leave surface units unattended at high settings. Boilovers cause smoking and greasy spillovers that may ignite. Heat oils slowly on low or medium settings.
- Always turn the hood ON when cooking at high heat or when flambeing food (i.e. Crepes Suzette, Cherries Jubilee, Peppercorn Beef Flambe).
- Clean ventilating fans frequently. Grease should not be allowed to accumulate on the fan or filter.
- Use proper pan sizes. Always use cookware appropriate for the size of the surface element.

▲ WARNING

TO REDUCE THE RISK OF INJURY TO PERSONS IN THE EVENT OF A RANGE TOP GREASE FIRE, OBSERVE THE FOLLOWING PRECAUTIONS:*

- SMOTHER FLAMES with a close fitting lid, cookie sheet, or metal tray, then turn off the burner. BE CAREFUL TO PREVENT BURNS. If the flames do not go out immediately, EVACUATE AND CALL THE FIRE DEPARTMENT.
- NEVER PICK UP A FLAMING PAN - you may get burned.
- DO NOT USE WATER, including wet dishcloths or towels - a violent steam explosion will result.
- Use an extinguisher ONLY if:
 - You know you have a class ABC extinguisher, and you already know how to operate it.
 - The fire is small and contained in the area where it started.
 - The fire department is being called.
 - You can fight the fire with your back to an exit.

* Based on "Kitchen Fire Safety Tips" published by NFPA.

▲ WARNING

To reduce the risk of fire or electrical shock, do not use this fan with any solid-state speed control device.

▲ WARNING

Do not let children near this appliance. Do not let children play with this appliance. Keep all packaging materials out of children's reach. Properly dispose the packaging materials after this appliance is unpacked.

Electrical Requirements**IMPORTANT**

Observe all governing codes and ordinances.

It is the customer's responsibility:

To contact a qualified electrical installer.

To assure that the electrical installation is adequate and in conformance with the National Electrical Code, ANSI/NFPA 70 – latest edition*, or CSA Standards C22.1-94, Canadian Electrical Code, Part 1 and C22.2 No.0-M91 - latest edition** and all local codes and ordinances.

If codes permit and a separate ground wire is used, it is recommended that a qualified electrician determine that the ground path is adequate. A copy of the above code standards can be obtained from:

National Fire Protection Association

1 Batterymarch Park
Quincy, MA 02169-7471

CSA International
8501 East Pleasant Valley Road
Cleveland, OH 44131-5575

- A 120 volt, 60 Hz., AC only, 15-amp, fused electrical circuit is required.
- If the house has aluminum wiring, follow the procedure below:

1. Connect a section of solid copper wire to the pigtail leads.
2. Connect the aluminum wiring to the added section of copper wire using special connectors and/or tools designed and UL listed for joining copper to aluminum.

Important Safety Instructions

- Follow the electrical connector manufacturer's recommended procedure. Aluminum/copper connections must conform with local codes and industry accepted wiring practices.
- Wire sizes and connections must conform with the rating of the appliance as specified on the model/serial rating plate. The model/serial plate is located behind the filter on the rear wall of the range hood.
- Wire sizes must conform to the requirements of the National Electrical Code, ANSI/NFPA 70 (latest edition), or CSA Standards C22. 1-94, Canadian Electrical Code, Part 1 and C22.2 No. 0-M91 (latest edition and all local codes and ordinances).

GROUNDING INSTRUCTIONS

This appliance must be grounded. In the event of an electrical short circuit, grounding reduces the risk of electric shock by providing an escape wire for the electric current.

WARNING

- Improper grounding can result in a risk of electric shock.
- Consult a qualified electrician if the grounding instructions are not completely understood, or if doubt exists as to whether the appliance is properly grounded.
- Do not use an extension cord.

Venting Requirements (ducted models only)

- The vent system must terminate outdoors.
- Do not terminate the vent system in an attic or other enclosed area.
- Do not use a 4" (10.2 cm) laundry-type wall cap.
- Only use metal vents. Plastic vents are not recommended.
- The length of the vent system and the number of elbows should be kept to a minimum to provide efficient performance.

For the most efficient and quietest operation:

- Use no more than three 90° elbows.
- Make sure there is a minimum of 24" (61 cm) of straight vent between the elbows if more than one elbow is used.
- Do not install two elbows together.
- Use clamps to seal all joints in the vent system.
- The vent system must have a damper.
- Use caulking to seal the exterior wall or roof opening around the cap.
- The size of the vent should be uniform.

Venting Methods

To use the hood's top outlet to vent your hood, a 6" (15.2 cm) round vent system is required. To use the hood's rear outlet, a 3 1/4" x 10" (8.25 x 25.4 cm) rectangular vent system is required. Neither of these vent systems are included and must be purchased separately.

NOTE

The vent system can terminate either through the roof or a wall. To vent through a wall, a 90° elbow is needed.

Mounting Height

Select a mounting height between a minimum of 24" (61 cm) for an electric cooking surface, a minimum of 27" (68.6 cm) for a gas cooking surface, and a suggested maximum of 36" (91.4 cm) above the range to the bottom of the hood.

Rear discharge

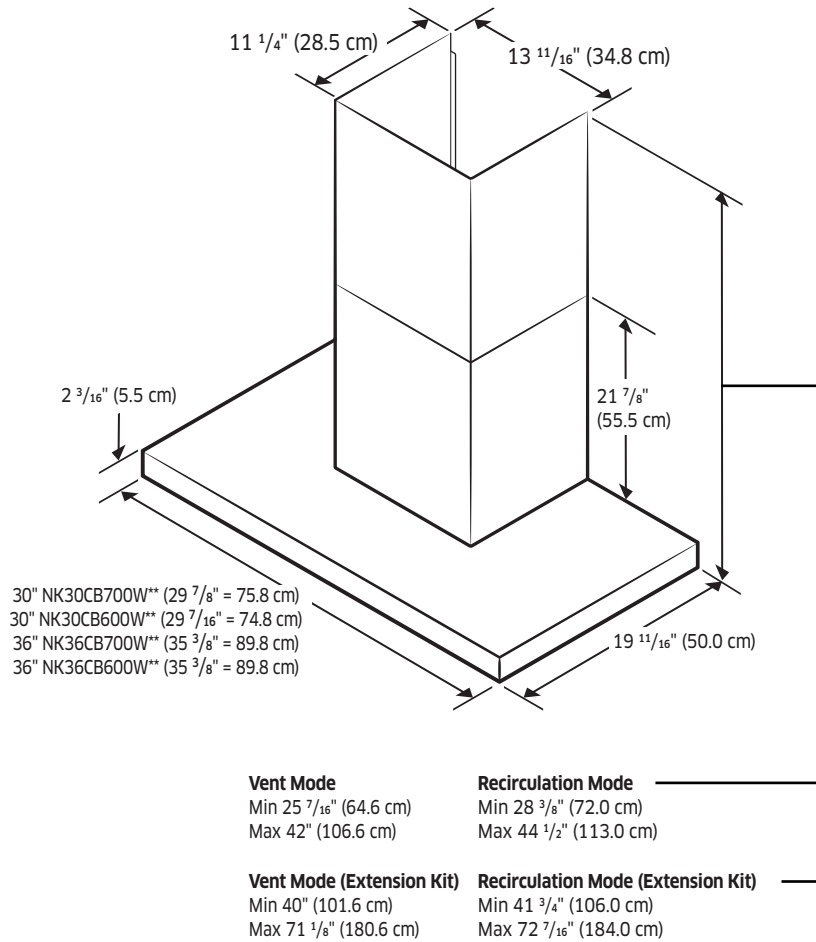
A 90° elbow may be installed immediately above the hood.

For Non-Vented (recirculating) Installations

If it is not possible to vent cooking fumes and vapors to the outside, the hood can be used in the non-vented (recirculating) version, fitting a charcoal filter and a plastic grid. Fumes and vapors are recycled through the recirculation grid.

Installation Requirements

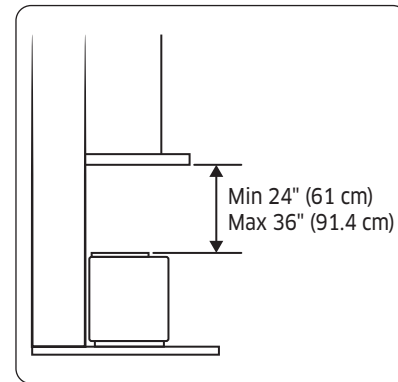
General Specifications



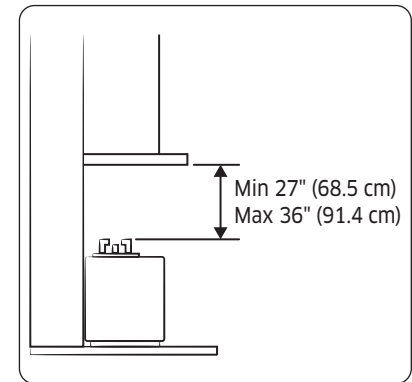
Mounting Height

⚠ CAUTION

- Be sure to check the mounting height before installing the product.
- The mounting height is measured from the top of the range to the upper cabinets. The mounting height for an electric cooking surface is measured from its glass cooktop as shown in the image on the left. For a gas cooking surface, the mounting height is measured from the top of the burning grates as shown in the image on the right.



ELECTRIC RANGES

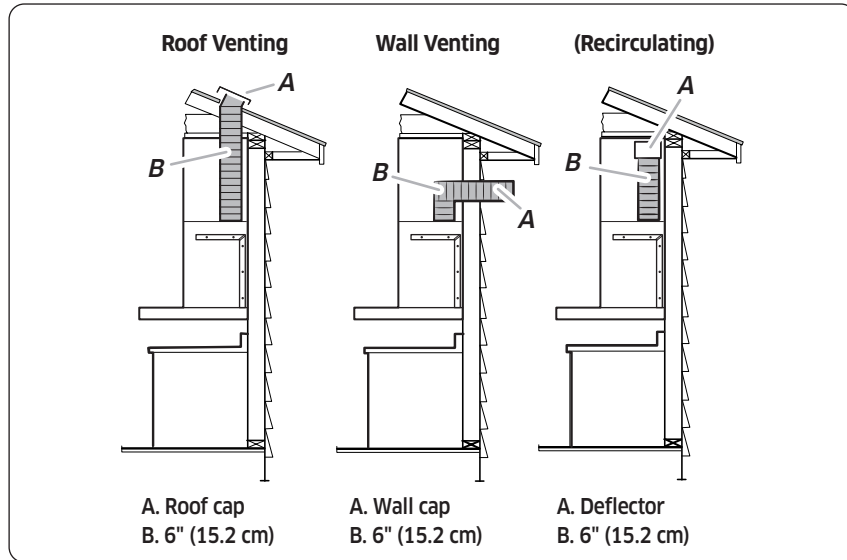


GAS RANGES

Installation Requirements

Venting Methods

Smoke is exhausted to the outside through a special pipe connected to the hood.



⚠ CAUTION

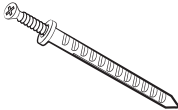



- The minimum connectable exhaust outlet diameter is 6" (15.2 cm).
- Ensure the exhaust outlet diameter and duct diameter match, and then connect the duct to the wall outlet.
- If the duct and the wall outlet have different diameters, the suction performance will decrease while also significantly increasing noise. The manufacturer is not responsible for any problems caused by this.
- Use the minimum possible length for the duct, and do not significantly alter the cross-section.
- When connecting the duct, minimize bending. (Max bending angle: 90°)
- In an environment where installing with an external venting method is possible, be sure to install only using the external venting method.

Parts List

User manual & Installation manual (2)	Template for Installation (1)	Hood Mounting Bracket (1)
Duct Cover Mounting Bracket (1)	Electric Damper (1) NK3*CB700W** only	Damper (1) NK3*CB600W** only
Damper Adapter (1)	Upper Duct Cover (1)	Lower Duct Cover (1)
5 mm Magnet (2)	Filter Support Cable * (2)	

* To reduce the risk of the filter dropping, assemble the filter support cable to the filter.

Sub-Parts List

		
6 × 130 mm Screw Anchor (2)	6 × 30 mm Screw Anchor (5)	4 × 10 mm Hood Fixing Screw (10)
		
22 mm Washer (4)		

NOTE

Install the product by using the included accessories and materials appropriately and according to the installation environment and conditions.

Additional Purchase Accessories

Model	NK30CB600W**, NK36CB600W**
Recirculation Kit	NK-AR7000WB/AA
Charcoal Filter Kit	NK-AF7000WB/AA
Hood Extension Kit	NK-AE6000W*/AA

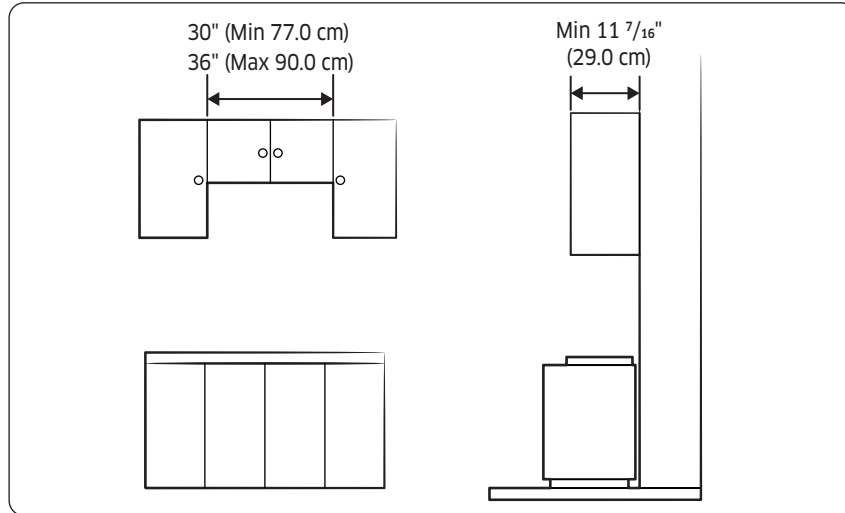
Needed Parts list (Not Supplied)

- Gloves
- Safety Glasses
- Pencil
- Measuring Tape or Ruler
- Tape to installation Template
- Spirit Level
- Phillips Screwdrivers
- Electric Drill and 1/4" (0.6 cm) drill bits
- Pliers
- Wire cutter/Stripper
- Home Power Supply Cable
- UL listed Wire Nuts (3 pcs)
- UL/CSA approved strain relief
- 6" (15.2 cm) Flexible Duct
- Duct Clamps
- Duct Sealing Tape
- Knife
- Caulking Gun and compound
- Jigsaw, Grinder

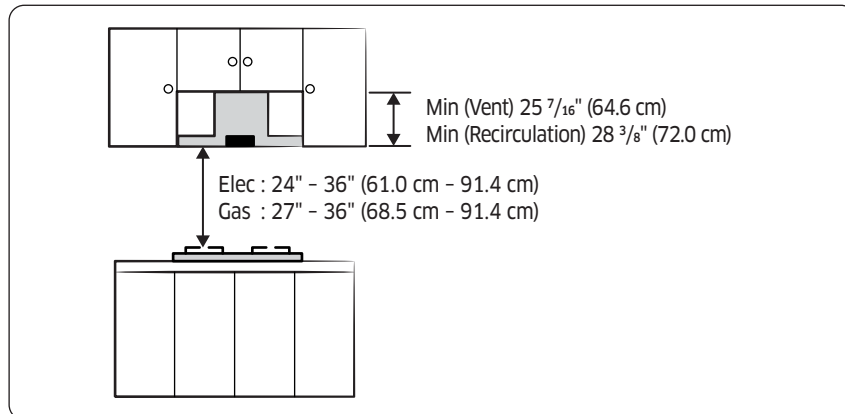
Installation Requirements

Installation Clearances

Upper furniture Dimension



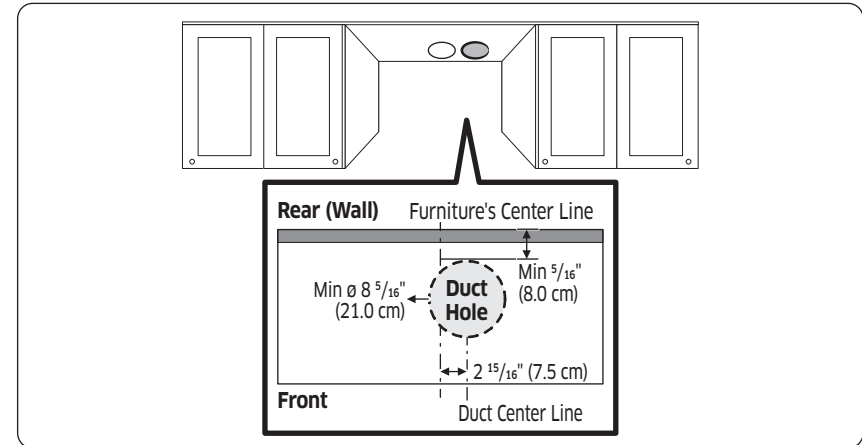
Required Hood installation Height



Making a hole in the furniture

Duct hole guide_Op.1

Cabinet floor drilling work: hood exhaust outlet (damper) cutting work



⚠ CAUTION

- Cut the cabinet in a way that does not interfere with the damper outlet.
- After assembling the duct cover, make sure that the cut surface of the cabinet is not exposed. (The hole size must be smaller than the duct cover.)
- Vacuum the sawdust to prevent it from blowing away.
- Make sure the cabinets are not damaged.
- Before cutting the cabinet, explain to the customer that the cabinet needs to be cut, and then obtain consent before proceeding.

Method and sequence of cutting the upper cabinets

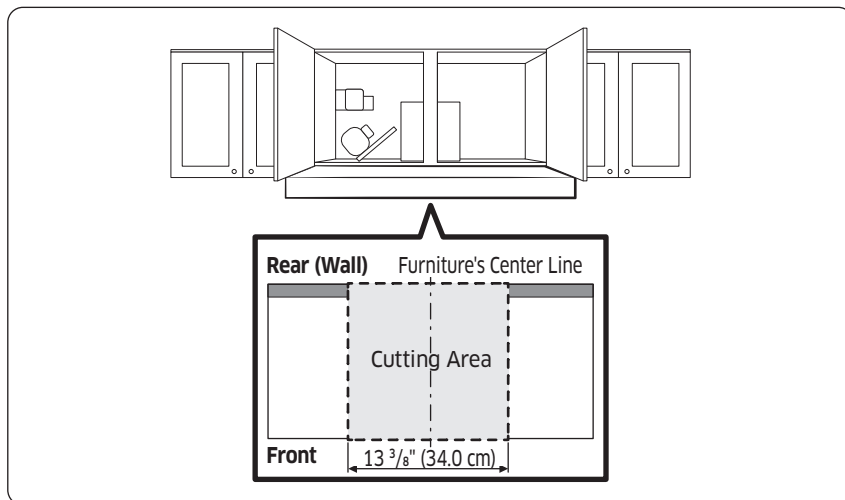
1. Refer to the cutting dimensions above and mark the lines to be cut on the cabinet.
2. Use a jigsaw to cut the upper cabinets. When cutting, use a vacuum cleaner to minimize the amount of dust.

Installation Tool

Jigsaw

Duct hole guide_Op.2

Cabinet floor drilling work: hood exhaust outlet (damper) cutting work



⚠ CAUTION

- Cut the cabinet in a way that does not interfere with the damper outlet.
- Vacuum the sawdust to prevent it from blowing away.
- Make sure the cabinets are not damaged.
- Before cutting the cabinet, explain to the customer that the cabinet needs to be cut, and then obtain consent before proceeding.

Method and sequence of cutting the upper cabinets

1. Refer to the cutting dimensions above and mark the lines to be cut on the cabinet.
2. Use a jigsaw to cut the upper cabinets. When cutting, use a vacuum cleaner to minimize the amount of dust.

Installation Tool

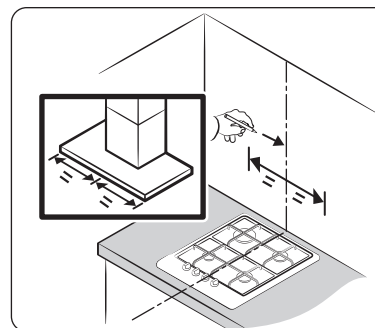
Jigsaw, Grinder

Installation

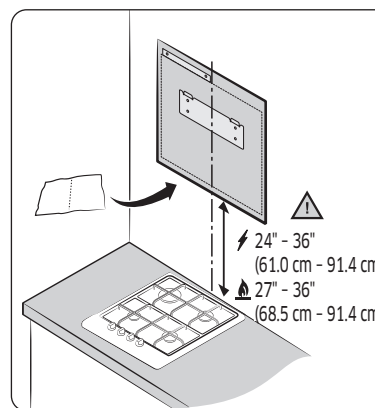
⚠ CAUTION

- This product must be installed by a professional hood installer.
- If the product is installed on a tiled wall or on drywall, there is a risk of the hood falling, so be sure to fix the fixing screws to the concrete behind the wall.
- Do not attach the product as if it were a tile or fix it with cement, silicone, or adhesive. Install it on a concrete wall using the provided screws.

Setting the Location



1. Be sure to check that the product you have purchased is suitable for the installation space you have chosen.

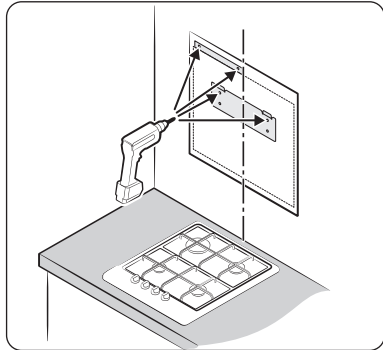


2. Fix the enclosed installation template and then install it so that it does not twist horizontally.

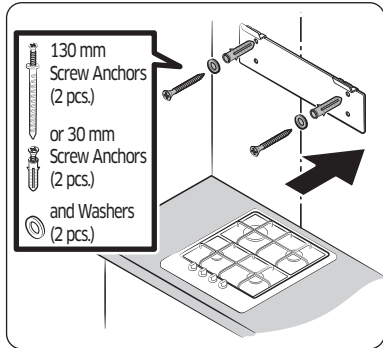
⚠ CAUTION

Please pay attention to the mounting height. The mounting height is measured from the top of the range to the upper cabinets. The mounting height for an electric cooking surface is measured from its glass cooktop. For a gas cooking surface, the mounting height is measured from the top of the burning grates.

Installation



3. Check the position for fixing the hood mounting bracket.

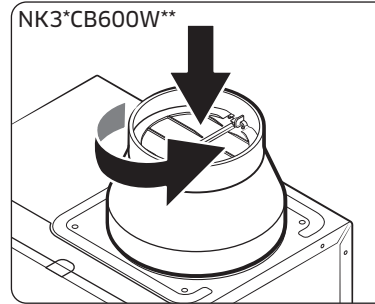


4. Fix the hood mounting bracket horizontally on the wall where the hood is to be installed using screw anchors, hood mounting bracket screws, and washers. Be sure to install it on the wall using the two 30 mm screw anchors.

NOTE

For a secure hold, use a 130 mm screw anchor.

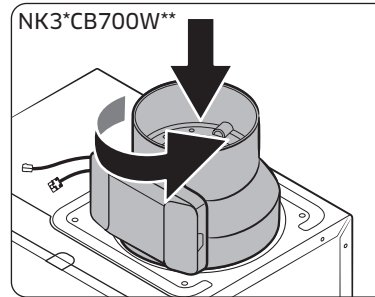
Connecting the Vent System



5. Assemble the damper or the electric damper for preventing backflow by turning it in to the hood exhaust outlet.

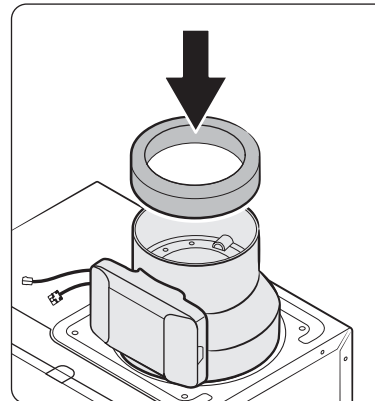
NOTE

- Damper is provided in NK3*CB600W**.
- Electric Damper is provided in NK3*CB700W**.



CAUTION

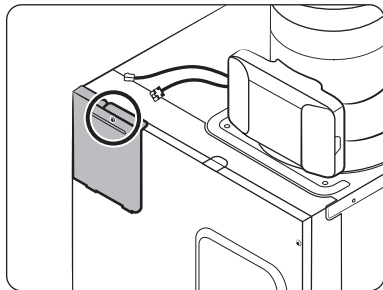
Check that the electric damper is seated correctly on the screw thread and there is no tilt. If the electric damper is not flush, air will leak through the gap.



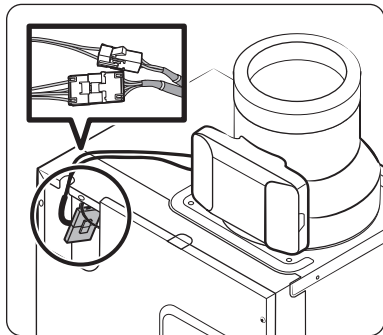
6. Assemble the damper adapter, pushing it into a damper or electric damper. Fix it using tape.

NOTE

- If the hood is NK3*CB600W**, please follow it from No.10.
- If the hood is NK3*CB700W**, please follow it from No.7.



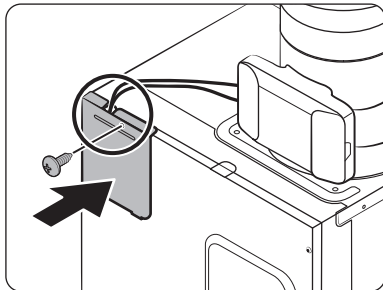
7. Remove the cover by loosening the screw on the PCB cover.



8. Connect the connector of the electric damper wire and the PCB connector.

NOTE

Insert the wire into the hole at the top left corner.

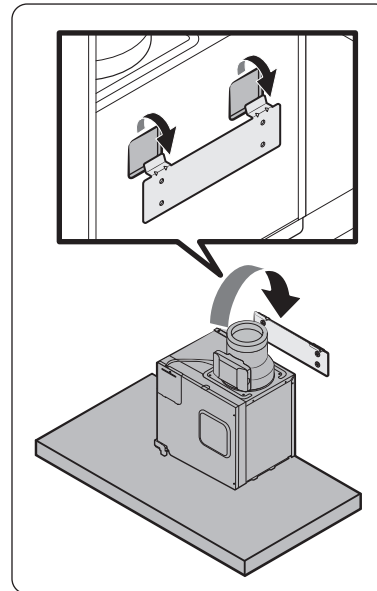


9. Assemble the PCB cover using a screw.

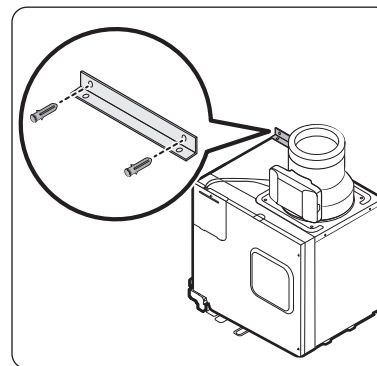
NOTE

Put the connected connector into the hole of the cover as shown in the picture.

Installing the Range Hood

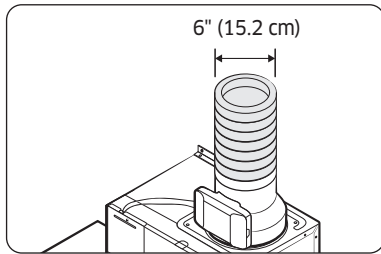


10. Fix the hood to the hood mounting bracket installed on the wall.



11. Fix the duct auxiliary bracket using two 30 mm screw anchors in the top left of the duct.

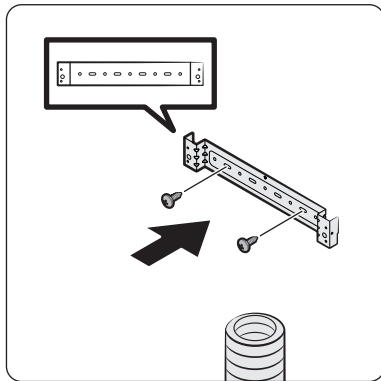
Installation



12. Fix the Flexible Duct (6" (15.2 cm)) to the hood outlet and the vent on the wall, respectively, with tape.

⚠ CAUTION

- Ensure the exhaust outlet diameter and duct diameter match, and then connect the duct to the wall outlet.
- If the duct and the wall outlet have different diameters, the suction performance will decrease while significantly increasing noise. The manufacturer is not responsible for any problems caused by this.
- Use the minimum possible length for the duct, and do not significantly alter the cross-section.
- Minimize bending when connecting the duct (max bending angle: 90 degrees).



13. Fix the duct cover mounting bracket to the ceiling or rear wall with the 10 mm hood fixing screws.

⚠ CAUTION

- Install the upper duct closely to the ceiling and upper cabinets.
- Be careful not to let the upper duct come into contact with the upper cabinet door.

Electrical Connection

⚠ WARNING

Assembly and electrical connections must be carried out by qualified technician.

⚠ WARNING



Electrical Shock Hazard

Turn off power circuit at the service panel before wiring this unit.

120 VAC, 15 or 20 Amp circuit required.

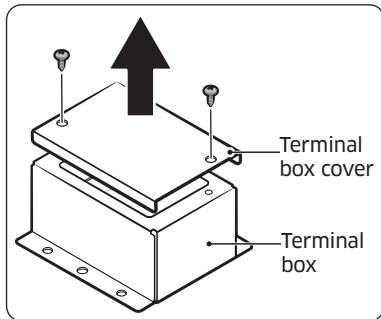
Failure to do so can result in death or electrical shock.

Connect ground wire to Green/Yellow ground wire in terminal box.

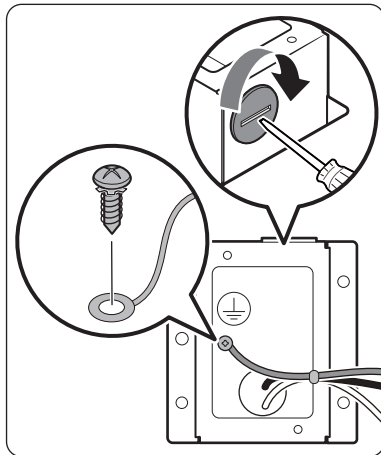
To protect you against electric shock, The Green/Yellow Wire must be connected to the grounding wire in home electrical system.

Failure to do so can result in death or electrical shock.

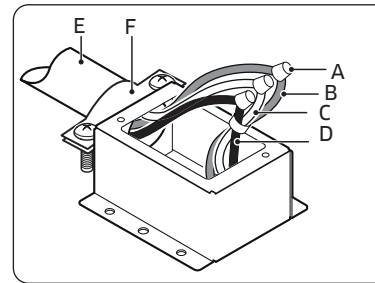
It must under no circumstances be cut or removed.



- 14-1. Disconnect power circuit breaker.
- 14-2. Remove terminal box cover.

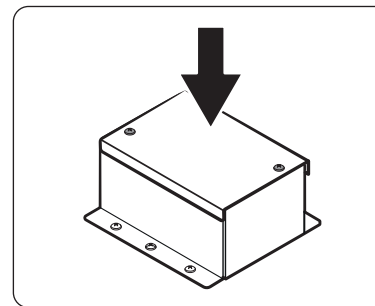


- 14-3. Remove the strain relief hole cover in the terminal box and install a UL/CSA approved strain relief.



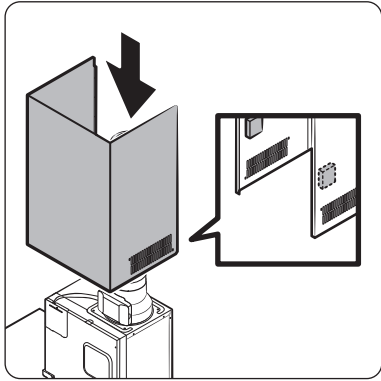
- A. UL listed wire nuts
- B. Green (or bare) wire connected to green/yellow wires
- C. White wires
- D. Black wires
- E. Home power supply cable
- F. UL/CSA approved strain relief

- 14-4. Run home power supply wiring through strain relief into terminal box.
- 14-5. Use UL listed wire nuts and connect white wires (C) together.
- 14-6. Use UL listed wire nuts and connect black wires (D) together.
- 14-7. Connect green (or bare) ground wire from home power supply to the green/yellow ground wire (B) in terminal box using UL listed wire nuts.
- 14-8. Tighten strain relief screw.



- 14-9. Put the wires into the terminal box and install terminal box cover.
- 14-10. Reconnect power circuit breaker.

Installation



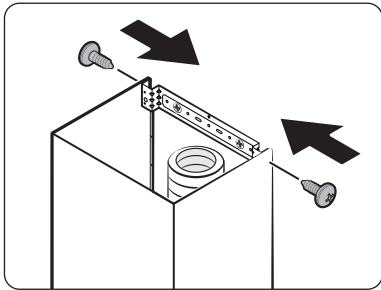
15. Attach each magnet to the inner surface of the upper duct cover overlapping the lower duct cover, and assemble the upper duct cover in a way that it fits the mounting bracket.

⚠ WARNING

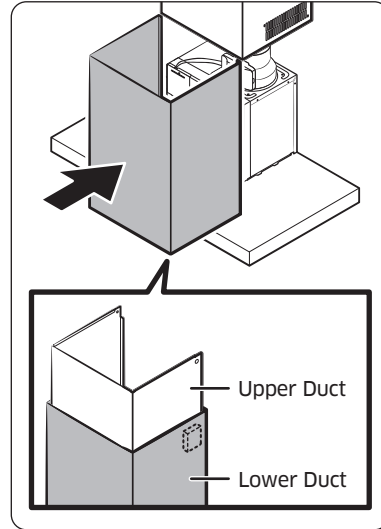
Installation with screws or brackets other than those specified in the instruction of this manual may result in electrical hazards.

📄 NOTE

Magnets are included in the accessory box.



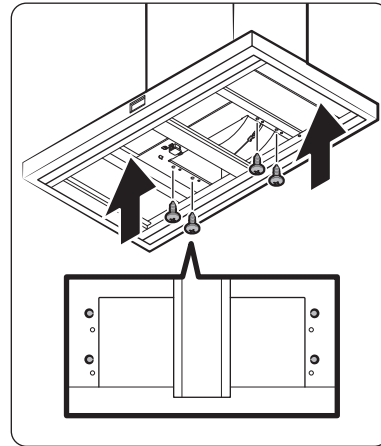
16. Assemble with 10 mm hood fixing screws from both sides.



17. Assemble the lower duct cover to the hood. Magnets on the upper duct cover hold the lower duct cover in place.

📄 NOTE

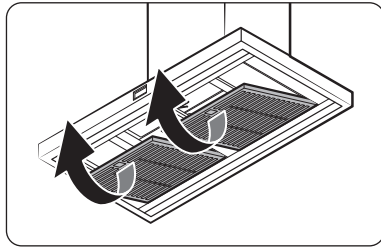
The magnet must be attached to the upper line of the lower duct.



18. Remove the filter at the bottom of the hood. Assemble the lower duct cover by fitting a 10 mm hood fixing screw to the hole in the lower duct cover.

⚠ CAUTION

When removing the filter, use both hands to avoid dropping the filter.



19. When the lower duct cover assembly is complete, reassemble the filter in the reverse order of disassembly.

NOTE

To install the extension kit, follow same process.

WARNING

Be sure to use an outlet with a ground terminal for safety. This can prevent the risk of electric shock, fire, or malfunction. If the outlet does not have a ground terminal, purchase a separate grounding wire and connect it to the grounding line.

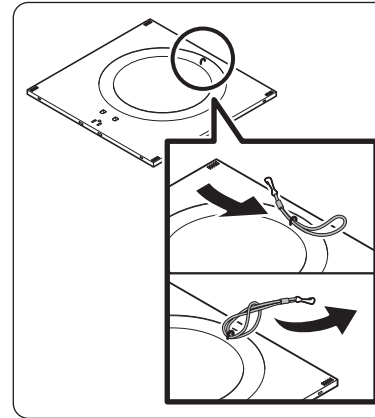
CAUTION

Do not ground on gas pipes, water pipes, telephone lines, etc.

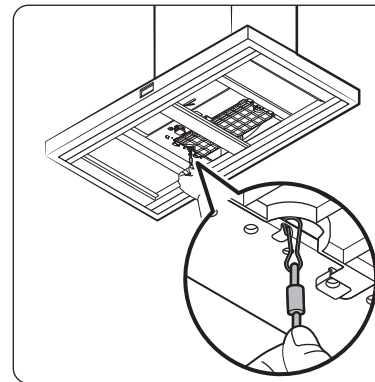
NOTE

Be sure to install a short-circuit breaker where there is a risk of a short circuit.

Connect the filter support cable



1. Remove the filter at the bottom of the hood. Pass the filter support cable through the wire loop attached on the top of the filter. Make the knot by passing the hook of the filter support cable through the other end of the filter support cable.



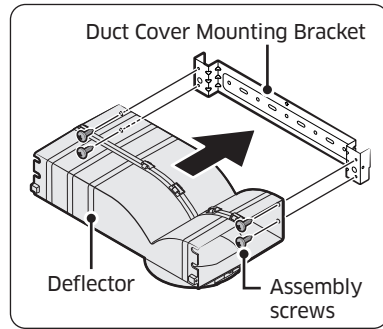
2. Hang the hook of the filter support cable to the anchor at bottom of the hood. Assemble the filter.

Installation

Installing the Recirculation Kit

NOTE

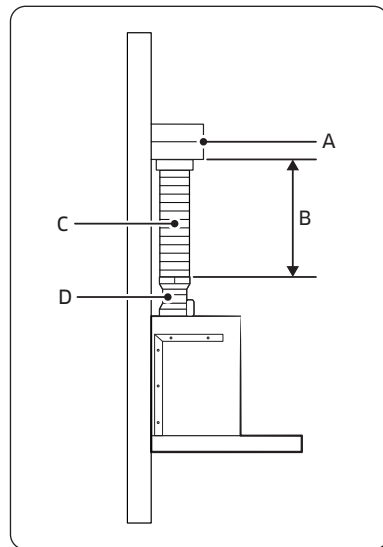
Same process until No. 14



1. Assemble the air deflector with the duct cover mounting bracket with the four assembly screws provided with the Recirculation Kit.

NOTE

- Use of recirculation type hoods in closed spaces may cause poor ventilation performance.
- Please ventilate the room by opening the windows while operating the device.



2. Measure from the bottom of the deflector to the bottom of the hood outlet.
3. Cut the duct to the measured size "X."
4. Remove the deflector.
5. Slide the duct onto the bottom of the deflector.
6. Place the assembled deflector and duct over the exhaust outlet from the hood.
7. Reassemble the air deflector to the duct cover mounting bracket with the four assembly screws.
8. Seal the connections with tape.

A	Deflector
B	X = length to cut duct
C	Duct
D	Exhaust outlet

Electrical Connection

WARNING

Assembly and electrical connections must be carried out by qualified technician.

! WARNING



Electrical Shock Hazard

Turn off power circuit at the service panel before wiring this unit.

120 VAC, 15 or 20 Amp circuit required.

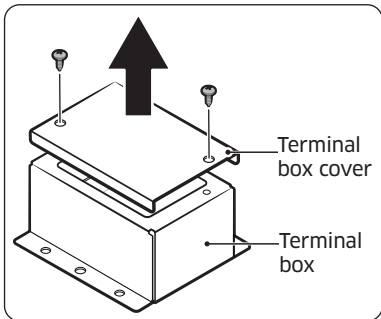
Failure to do so can result in death or electrical shock.

Connect ground wire to Green/Yellow ground wire in terminal box.

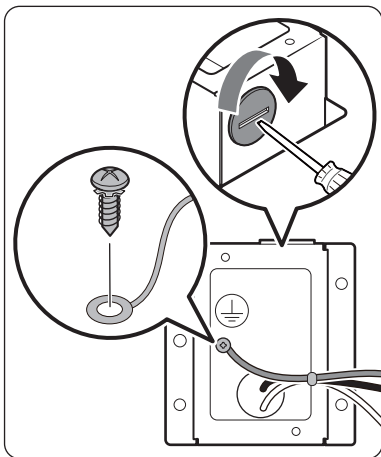
To protect you against electric shock, The Green/Yellow Wire must be connected to the grounding wire in home electrical system.

Failure to do so can result in death or electrical shock.

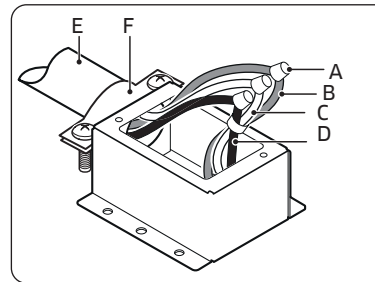
It must under no circumstances be cut or removed.



- 9-1. Disconnect power circuit breaker.
- 9-2. Remove terminal box cover.

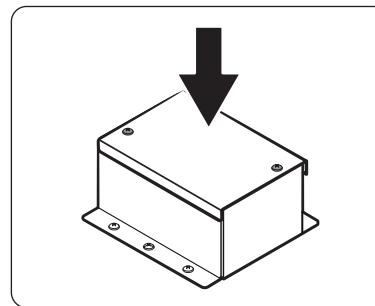


- 9-3. Remove the strain relief hole cover in the terminal box and install a UL/CSA approved strain relief.



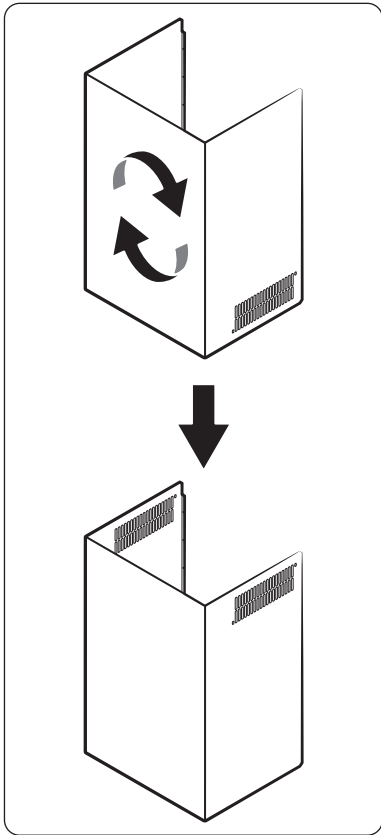
- A. UL listed wire nuts
- B. Green (or bare) wire connected to green/yellow wires
- C. White wires
- D. Black wires
- E. Home power supply cable
- F. UL/CSA approved strain relief

- 9-4. Run home power supply wiring through strain relief into terminal box.
- 9-5. Use UL listed wire nuts and connect white wires (C) together.
- 9-6. Use UL listed wire nuts and connect black wires (D) together.
- 9-7. Connect green (or bare) ground wire from home power supply to the green/yellow ground wire (B) in terminal box using UL listed wire nuts.
- 9-8. Tighten strain relief screw.

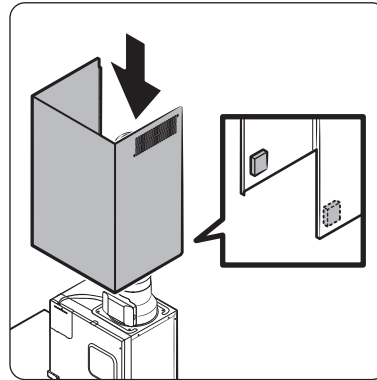


- 9-9. Put the wires into the terminal box and install terminal box cover.
- 9-10. Reconnect power circuit breaker.

Installation



10. Rotate the upper duct as in the picture.



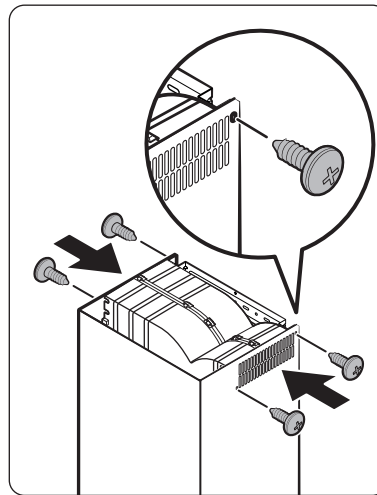
11. Attach each magnet to the inner surface of the upper duct cover overlapping with the lower duct cover, and assemble the upper duct cover in a way that it fits the mounting bracket.

⚠ WARNING

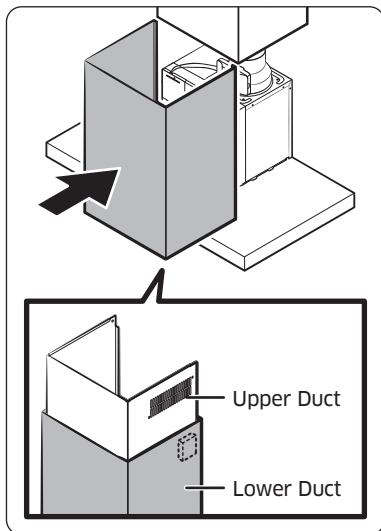
Installation with screws or brackets other than those specified in the instruction of this manual may result in electrical hazards.

📄 NOTE

Magnets are included in the accessory box.



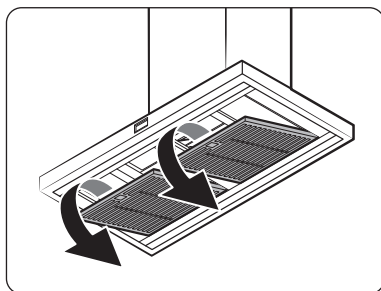
12. Assemble with 10 mm hood fixing screws from both sides.



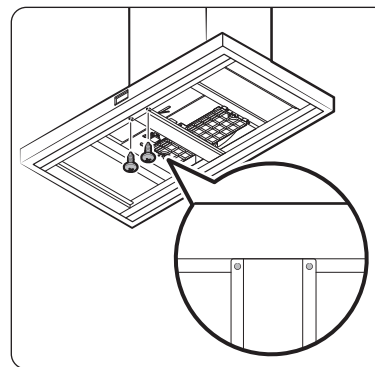
13. Assemble the lower duct cover to the hood. Magnets on the upper duct cover hold the lower duct cover in place.

NOTE

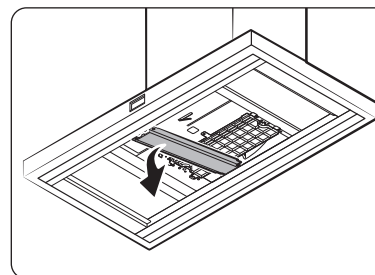
The Magnet must be attached to the upper line of the Lower Duct.



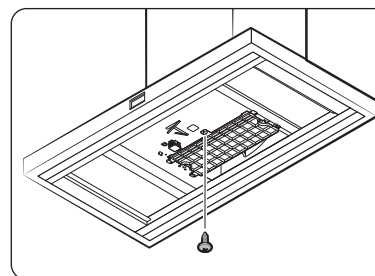
14. Remove metal grease filter from the range hood.



15. Remove the 2 screws from the range hood.

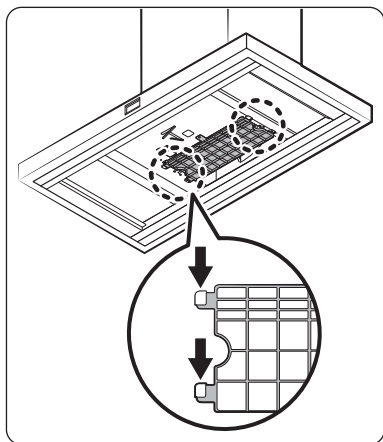


16. Remove the frame middle part from the range hood.

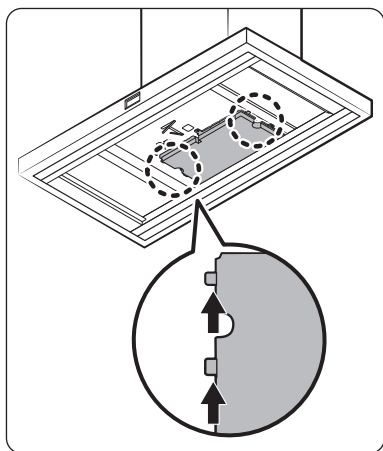


17. Remove one screw from the range hood.

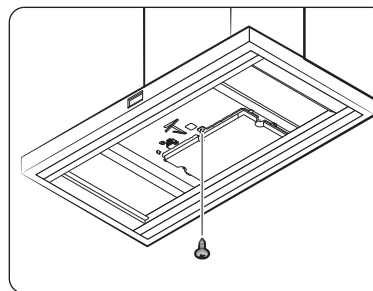
Installation



18. Remove the guard by pushing the hook of the guard in the direction of the arrow.

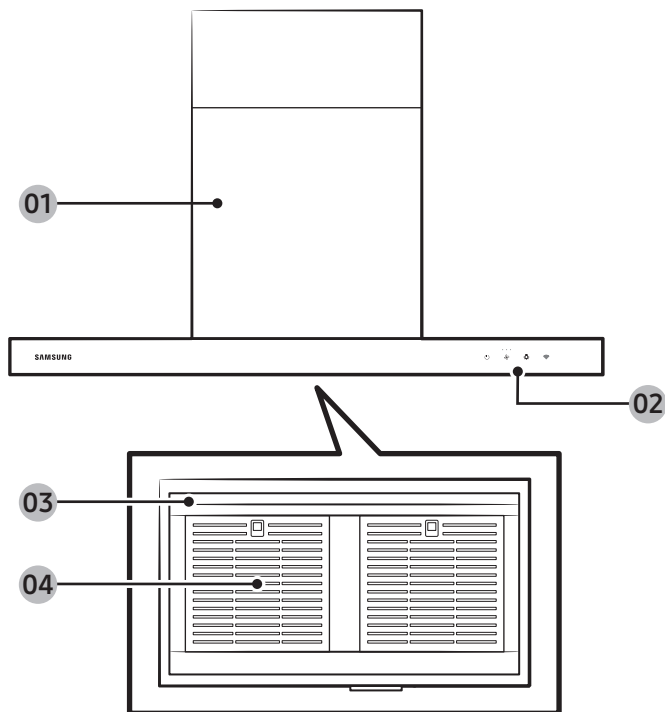


19. Insert the charcoal filter hook by pushing it in the direction of the arrow.



20. Assemble the charcoal filter with the assembly screw provided with the Recirculation Kit. Reassemble the frame middle and filter in the reverse order of disassembly.

Range Hood Description



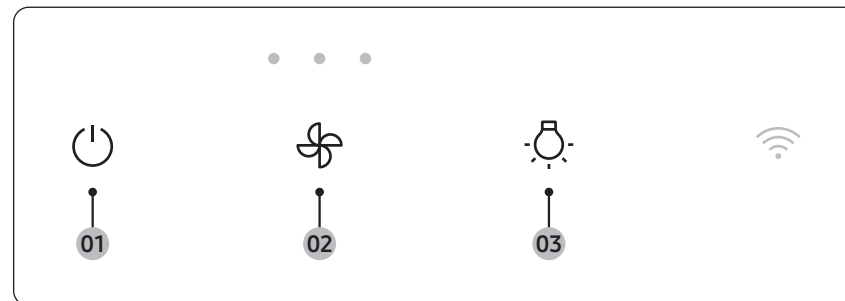
01 Duct
04 Filter

02 Button panel

03 Lamp

Range Hood Overview

Button panel



01 Power button

- Short press: Turns the device ON/OFF.

02 Mode button

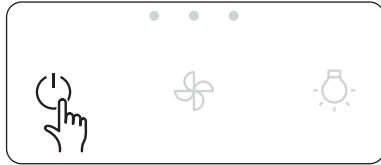
- Short press: Changes the operation mode. (Low → Medium → High → (Boost))
- 5 second press: Deactivates/activates the Wi-Fi
 - Delay off mode can be activated on the SmartThings app.
 - Filter usage time can be checked on the SmartThings app.
 - The range hood can be operated through automations with registered Samsung products on the SmartThings app.
- 10 second press: Activates/deactivates the Boost mode.

03 Light button

- Short press: Changes the light mode (High → Low → Off)
- 5 second press: Activates/deactivates the AP

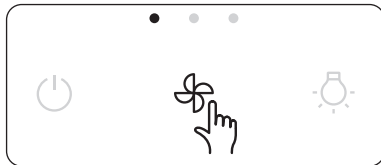
Using the Range Hood

Turning the Range Hood On or Off




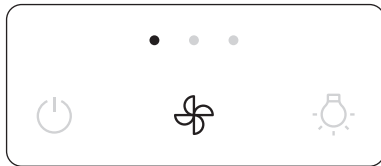
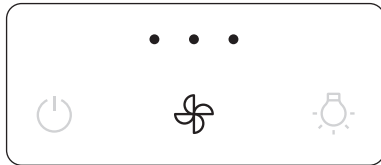
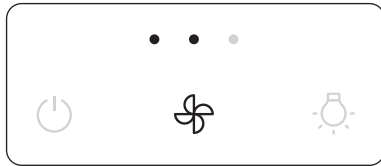
The device turns on with a chime sound, and starts operation in Low mode.

Changing the operation mode

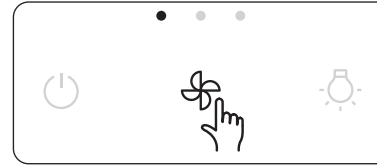


Change the device operation mode as necessary.



- Press the  button to select the operation mode to use.
 - Each time you press the button, the mode changes in the following order: Low → Medium → High → (Boost)

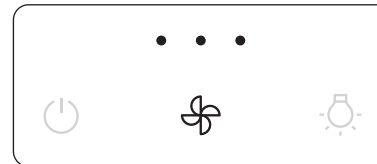
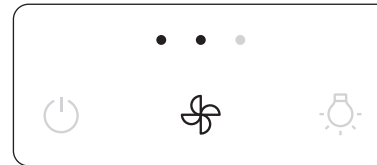
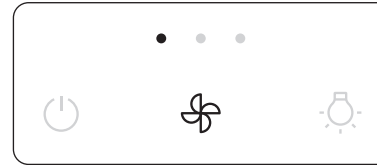


Activates/Deactivates Boost mode



Boost mode is a function that allows powerful exhaust for a short time.

1. Press the  button for 10 seconds.
2. Boost mode has been added. Boost mode (Max 630 CFM) is available.
3. LEDs on the  button are sequentially filled while the Boost mode is on.



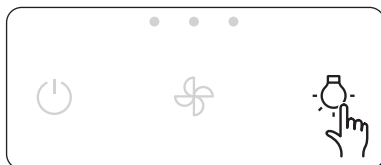
Makeup Air

- When using ventilation systems with greater than the specified CFM of air movement, review local building codes as they may require makeup air systems. Consult an HVAC professional for the specific requirements for your area as the CFM requirements can vary between locales.
- Consult an HVAC professional to select the correct CFM capacity range hood for your application. The CFM capacity depends on the range or cooktop BTU rating, size and location, size of the kitchen, and the range hood ductwork in the kitchen.


⚠ CAUTION

Do not activate this function without a qualified person present. We recommend that a qualified technician install the range hood. It is the installer's responsibility to ensure that the range hood complies with the installation clearances specified for the product. To activate this function's Boost mode, the Make-up air system is required.

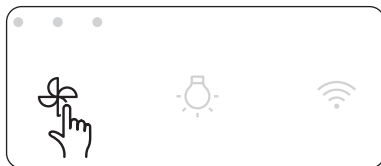
Using the lighting




Adjusting the lighting level of the product.

- Press the  button briefly to select the desired lighting step.
 - It repeats in the order of High → Low → Off.

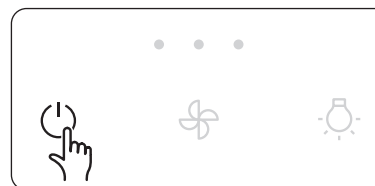
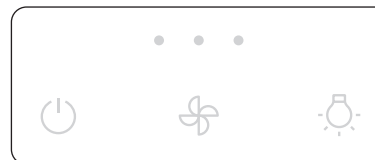
Wi-Fi On/Off




This feature turns the product's Wi-Fi on or off.

- Press the  button for 5 seconds. Press the  button again for 5 seconds to turn on Wi-Fi.

Automatic operation to prevent range hood overheating

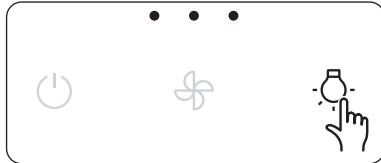



This feature prevents overheating when the hood is turned off.

- When the hood temperature rises, the middle LED on the mode button blinks, and it operates in Medium mode.
- If the hood temperature stabilizes or the  button is pressed, the hood is turned off.


Using the Range Hood

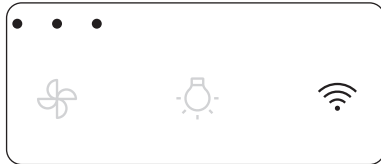
Entering AP(Access Point)




1. Press the  button for 5 seconds as instructed in the app.

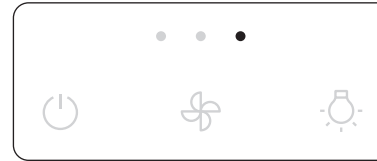
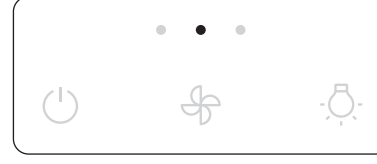
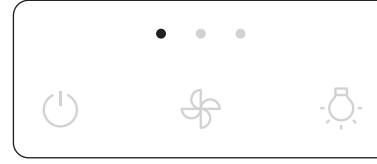
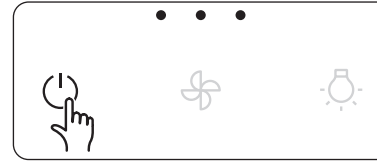


2. When in AP mode, the  icon blinks. Please proceed with the connection according to the mobile guide.




3. When the connection is completed,  icon remains on.

Delay off



Delay off is a function that vents the remaining pollutants in the kitchen after cooking and operates after the hood is turned off.


- If you set the delay off function in the SmartThings app and turn off the working hood, the delay off function will work.
- LEDs on the  button are turned on sequentially while the delay off function is in operation.
- The unit will operate for 3 minutes in Low mode and then turns off automatically.

NOTE

Delay off mode can be used only when the hood is connected to the SmartThings app.

Error indication



- When a product error occurs, all LEDs on the  button blink.
- Errors and actions can be found in the SmartThings app.
- If the problem persists, disconnect the power for at least 30 seconds, cool the product sufficiently, and restart it.
 - If this problem is not solved, contact a Samsung Electronics Service Center.

NOTE

Check error code function can be used only when the hood is connected to the SmartThings app.

Bixby

- Bixby is the name of Samsung's artificial intelligence solution and it makes it possible to control the product by voice.
- To use the voice recognition function, you need to connect the SmartThings app and the product on your smartphone.
- For models that do not directly recognize voice input for the product after connecting to the app, some functions can still be controlled through Bixby on Samsung smartphones.

Amazon Alexa & Google Assistant

Samsung smart home appliances are supported by SmartThings skill in Alexa & action in Google Assistant.

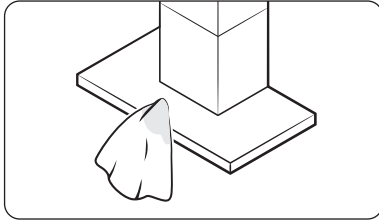
Installation Guide

Here's how to link SmartThings account into Amazon Alexa or Google Assistant. SmartThings App and Alexa App (or Google Assistant App) should be installed on your phone.

1. Setup supported devices on SmartThings
2. After device setup, tap '**Voice assistant**' and link your Samsung account to Amazon Alexa. (or Google Assistant)
3. Check that the devices are visible on Amazon Alexa app. Then account linking is complete. (Check that the devices are visible and set the location (home & room) of devices in Google home app. Then account linking is complete.)

Cleaning and Maintenance

Cleaning the range hood

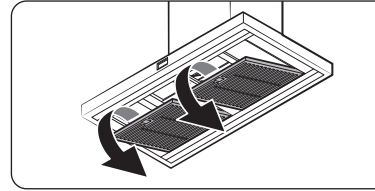


Wipe the front of the product with a soft cloth soaked in neutral liquid detergent.

⚠ CAUTION

- Do not use rough materials such as sponges.
- Do not use baking soda, percarbonate, citric acid, abrasives, alcohol, etc. The surface coating may be damaged or discolored.
- When cleaning, always wear gloves for safety.
- Be sure to turn off the power when cleaning the hood.
- There is a risk of fire if it is not cleaned according to the user manual.

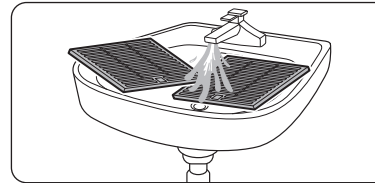
Cleaning the Filters



1. Please remove the filter at the bottom of the hood.

⚠ CAUTION

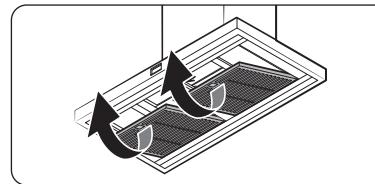
When separating the filter, use both hands to separate it carefully so that it does not drop.



2. Soak the filter in lukewarm water with neutral detergent for about 10 minutes, then rinse it with water and clean it.

⚠ CAUTION

Do not use a scrubber to clean the filter.



3. When cleaning is complete, reassemble the filter in the reverse order of disassembly.

📖 NOTE

Put the filter into the dishwasher and clean it conveniently with a standard wash cycle.

⚠ CAUTION

- Filters should be cleaned by hand with neutral detergent once a month, and if washed with a dishwasher, they should be washed for only a short time at a low temperature.
- Filters may discolor during cleaning, but this does not affect performance.
- Do not spray water directly on the filter while mounted on the hood. There is a risk of electric shock and fire.
- The front of the filter is made of stainless steel. Please be careful with it.
- Be sure to wear gloves because the edge of the filter can be sharp and cause injury.

Replacing the LED Lamp

This product is equipped with a dedicated LED lamp. If you need a replacement, please contact the service center.

SmartThings app

To use the SmartThings app, connect the product to the network in the sequence described below. The images shown may differ depending on your smartphone model, OS version, and manufacturer. You can only set up the Wi-Fi access point when connecting the product to a Wi-Fi network. Once the product is connected, you can use the SmartThings app via Wi-Fi, 3G, LTE, 5G or other wireless networks. If the Wi-Fi disconnects, please follow the instructions in the Samsung SmartThings app via your mobile device or tablet. You can easily install the SmartThings app or use the product with your smartphone by scanning the QR code on the attached label.

1 Checking the power connections

Check if the power is connected to the product and the access point.

2 Setting up and connecting to a Wi-Fi access point using your smartphone

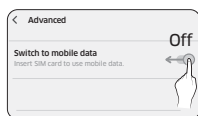
1. To connect the product to a Wi-Fi network, turn on Wi-Fi in "Settings > Wi-Fi", and then select the access point that you wish to connect to.

- Only alphanumeric characters are supported for wireless access point names (SSIDs). If an SSID has a special character, rename it before connecting to it.
- This product supports only **2.4 GHz** Wi-Fi.



2. Turning off "Switch to Mobile Data" in "Settings > Wi-Fi" on Your Smartphone

- If "Switch to mobile data" or "Adaptive Wi-Fi" is turned on, you cannot connect to the network. Be sure to turn off these functions before connecting to the network.



NOTE

The setup may differ depending on your smartphone model, OS version, and manufacturer.

3. Checking Internet Connectivity

- After connecting to Wi-Fi, check that your smartphone is connected to the Internet.

NOTE

A firewall may prevent your smartphone from connecting to the Internet. Contact your Internet service provider for troubleshooting.

3 Downloading the SmartThings app and registering your Samsung account

1. Downloading the SmartThings app

- Search for "SmartThings" in the Play Store or App Store, and download the SmartThings app to your smartphone.
- If the SmartThings app is already installed on your smartphone, update it to the latest version.



SmartThings (Samsung Connect)
Samsung Electronics Co., Ltd.

NOTE

- The SmartThings app supports Android 7.0 or later (with at least 2 GB RAM) and iOS 12.0 or later. The app is optimized for iPhone 6s or later and Samsung smartphones (Galaxy S and Note series). The updates of the SmartThings app or the functions supported by it may be discontinued for the previously supported OS versions due to issues like usability and security.
- The SmartThings app may change without prior notice to improve product usability and performance.

2. Registering your Samsung account

- A Samsung account is required to use the SmartThings app. To create a Samsung account and log in to your account, follow the instructions displayed on the SmartThings app. You do not need to install an additional app.

NOTE

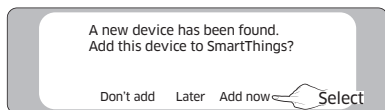
- If you already have a Samsung account, log in to the account. If you have a smartphone that is a Samsung device and you have a Samsung account, your smartphone is automatically logged in to your account.
- If you log in from a smartphone produced for another country, you need to log in with its country code when you create your Samsung account, and the SmartThings app may not be usable on some smartphones.

SmartThings app

4 Connecting the SmartThings app to your product

1. Selecting the product that you want to connect.

- 1) Start the SmartThings app about one minute after turning on the hood.
- 2) After the SmartThings app is started, select "ADD NOW" when a pop-up window saying that a product is found appears.

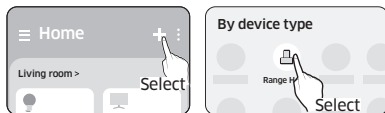


- 3) If the pop-up window does not appear, select "+," and then "Add Device."



You can add a product you want to connect to by selecting it manually or by selecting "Scan."

- Select manually: Range Hood > Samsung
- Scan: [Range Hood] Samsung



2. Connecting the SmartThings app to your product

- Follow the instructions displayed on the SmartThings app to connect to your product.
- For information on how to use the SmartThings app, select the How To menu in the app.

NOTE

- If any pop-up-window appears on the top of the smartphone while connecting to your product, do not select it.
- If a pop-up window saying that the device is already registered appears while connecting to your product, get permission using "REQUEST PERMISSION" from a user already connected to the product, or create a new account using "REGISTER MY ACCOUNT" to independently connect to the product.
- If a Samsung account-related country error occurs while connecting to your product, log out of your current Samsung account, log in to your previous Samsung account, and then delete all devices that have been previously connected. Then, log in to your current Samsung account again and configure the settings.

- If a failure message appears while adding a device, see "Setting up and connecting to a Wi-Fi access point using your smartphone" on page 29. The connection may fail temporarily due to an installation location problem with the access point or other problems.
- If the word "AP" does not disappear from the display, turn off the power and turn on it in again.
- For the security protocols for wireless/wired access points, WPA-PSK and WPA2-PSK are recommended. For the authentication method, AES is recommended. New Wi-Fi authentication specifications and non-standard WiFi authentication methods are not supported.
- The product supports the IEEE802.11 b/g/n (2.4 GHz) communication protocol. (Samsung recommends IEEE802.11n.)
- If your Internet service provider has permanently registered the MAC address (a unique identification number) of your PC or modem, you may not be able to connect your product to the Internet. Contact your Internet service provider and ask how to connect devices other than your PC (such as a Range Hood) to the Internet.

Open Source Announcement

The software included in this product contains open source software. You may obtain the complete corresponding source code for a period of three years after the last shipment of this product by contacting our support team via <http://opensource.samsung.com> (please use the "Inquiry" menu).

It is also possible to obtain the complete corresponding source code in a physical medium, such as CD-ROM. A minimal payment will be required.

The following URL http://opensource.samsung.com/opensource/SMART_AT_051/seq/0 leads to the open source license information as related to this product. This offer is valid to anyone in receipt of this information.



Troubleshooting

If you suspect there is a failure while using the product, check the following before requesting service from the service center. When you request service, you will be charged for the visit and diagnosing the symptoms even if the product is not broken.

⚠ CAUTION

If you require repairs, disconnect the power circuit breaker immediately and contact the service center. The following information is required when requesting service.

- Model number and serial number (find by removing the filter, listed inside product)
- Product warranty details
- Explanation of the problem


General

Problem	Cause	Action
It's not working.	Is the power being supplied like normal?	Please check if there is a power outage. Please check status of power wires connection.
	Is there any moisture on the exterior of the product?	Please remove moisture from the product.
	Are there any foreign substances on the exterior of the product?	Please wipe off all foreign matter.

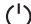
Hood Operation

Problem	Cause	Action
The hood's wind strength is weak.	Is there a lot of foreign matter in the filter?	Wipe off the filter with a neutral detergent in lukewarm water.

Information codes

Code	Description	Action
C121	Temperature sensor is not working	Press the POWER  button to restart the product. If the problem persists, disconnect the power for more than 30 seconds. Allow the product to cool and restart it. If it is not resolved, please contact a Samsung Electronics Service Center.
C154	Main PBA communication is not working with Inverter PBA	
C162	Only occurs when EEPROM Read or Write is not working.	
C163	If you need to check the option code	
C203	Inverter PBA communication is not working with Main PBA	

Troubleshooting

Code	Description	Action
C446	BLDC Motor or Inverter PBA is not working	Press the POWER  button to restart the product. If the problem persists, disconnect the power for more than 30 seconds. Allow the product to cool and restart it. If it is not resolved, please contact a Samsung Electronics Service Center.
C447		
C455		
C478		
C486		
C489		
C493		
C496		
C499		
C654	Electric Damper is not working	Reconnect the electric damper and check if any foreign matter is on the damper.

Warranty (USA)

SAMSUNG RANGE HOOD

LIMITED WARRANTY TO ORIGINAL CONSUMER PURCHASER WITH PROOF OF PURCHASE

This SAMSUNG brand product, as supplied and distributed by Samsung Electronics America, Inc. (SAMSUNG) and delivered new, in the original carton to the original consumer purchaser, is warranted by SAMSUNG against manufacturing defects in materials and workmanship for a limited warranty period of:

ONE (1) YEAR PARTS AND LABOR

This limited warranty begins on the original date of purchase, and is valid only on products purchased and used in the United States that have been installed, operated, and maintained according to the instructions attached to or furnished with the product. To receive warranty service, the purchaser must contact SAMSUNG at the address or phone number provided below for problem determination and service procedures. Warranty service can only be performed by a SAMSUNG authorized service center. The original dated bill of sale must be presented upon request as proof of purchase to SAMSUNG or SAMSUNG's authorized service center to receive warranty service.

SAMSUNG will provide in-home service within the contiguous United States during the warranty period at no charge, subject to the availability of SAMSUNG authorized servicers within the customer's geographic area. If in-home service is not available, SAMSUNG may elect, at its option, to provide transportation of the product to and from an authorized service center. If the product is located in an area where service by a SAMSUNG authorized servicer is not available, you may be responsible for a trip charge or required to bring the product to a SAMSUNG authorized service center for service.

To receive in-home service, the product must be unobstructed and accessible to the service agent.

During the applicable warranty period, the product will be repaired, replaced, or the purchase price refunded, at the sole option of SAMSUNG. SAMSUNG may use new or reconditioned parts in repairing a product, or replace the product with a new or reconditioned product. Replacement parts and products are warranted for the remaining portion of the original product's warranty or ninety (90) days, whichever is longer. All replaced parts and products are the property of SAMSUNG and you must return them to SAMSUNG.

This limited warranty covers manufacturing defects in materials and workmanship encountered in normal household, noncommercial use of this product and shall not cover the following: damage that occurs in shipment, delivery, installation, and uses for which this product was not intended; damage caused by unauthorized modification or alteration of the product; products where the original factory serial numbers have been removed, defaced, changed in any way, or cannot be readily determined; cosmetic damage, including scratches, dents, chips, and other damage to the product's finishing; damage caused by abuse, misuse, pest infestations, accidents, fire, floods or other acts of nature or God; damage caused by use of equipment, utilities, services, parts, supplies, accessories, applications, installations, repairs, external wiring or connectors not supplied or authorized by SAMSUNG; damage caused by an incorrect electrical line current, voltage, fluctuations, and surges; damage caused by failure to operate and maintain the product according to instructions; in-home instruction on how to use your product; and service to correct installation not in accordance with electrical or plumbing codes or correction of household electrical infrastructure or plumbing (i.e., house wiring, fuses, or water inlet hoses). The cost of repair or replacement under these excluded circumstances shall be the customer's responsibility.

Visits by an authorized servicer to explain product functions, maintenance, or installation is not covered by this limited warranty. Please contact SAMSUNG at the number below for assistance with any of these issues.

EXCLUSION OF IMPLIED WARRANTIES

IMPLIED WARRANTIES, INCLUDING THE IMPLIED WARRANTIES OF MERCHANTABILITY OR FITNESS FOR A PARTICULAR PURPOSE, ARE LIMITED TO ONE YEAR OR THE SHORTEST PERIOD ALLOWED BY LAW. Some states do not allow limitations on how long an implied warranty lasts, so the above limitations or exclusions may not apply to you. This warranty gives you specific rights, and you may also have other rights, which vary from state to state.

LIMITATION OF REMEDIES

YOUR SOLE AND EXCLUSIVE REMEDY IS PRODUCT REPAIR, PRODUCT REPLACEMENT, OR REFUND OF THE PURCHASE PRICE AT SAMSUNG'S OPTION, AS PROVIDED IN THIS LIMITED WARRANTY. SAMSUNG SHALL NOT BE LIABLE FOR SPECIAL, INCIDENTAL OR CONSEQUENTIAL DAMAGES INCLUDING BUT NOT LIMITED TO TIME AWAY FROM WORK, HOTELS, AND/OR RESTAURANT MEALS, REMODELING EXPENSES, LOSS OF REVENUE OR PROFITS, FAILURE TO REALIZE SAVINGS OR OTHER BENEFITS, REGARDLESS OF THE LEGAL THEORY ON WHICH THE CLAIM IS BASED, EVEN IF SAMSUNG HAS BEEN ADVISED OF THE POSSIBILITY OF SUCH DAMAGES. Some states do not allow exclusions or limitations of incidental or consequential damage, so the above limitations or exclusions may not apply to you. This warranty gives you specific legal rights, and you may also have other rights which vary from state to state.

SAMSUNG does not warrant uninterrupted or error-free operation of the product. NO WARRANTY OR GUARANTY GIVEN BY ANY PERSON, FIRM, OR CORPORATION WITH RESPECT TO THIS PRODUCT SHALL BE BINDING ON SAMSUNG.

To obtain warranty service, please contact SAMSUNG at:

1-800-SAMSUNG (726-7864) or
www.samsung.com/us/support

Warranty (CANADA)

SAMSUNG RANGE HOOD

LIMITED WARRANTY TO ORIGINAL PURCHASER

This SAMSUNG brand product, as supplied and distributed by Samsung Electronics Canada, Inc. (SAMSUNG) and delivered new, in the original carton to the original consumer purchaser, is warranted by SAMSUNG against manufacturing defects in materials and workmanship for a limited warranty period of:

ONE (1) YEAR PARTS AND LABOR

This limited warranty begins on the original date of purchase, and is valid only on products purchased and used in CANADA. To receive warranty service, the purchaser must contact SAMSUNG to determine the problem and service procedures. Warranty service can only be performed by a SAMSUNG authorized service center. The original dated bill of sale must be presented upon request as proof of purchase to SAMSUNG or SAMSUNG's authorized service center.

SAMSUNG will repair or replace this product, at our option and at no charge as stipulated herein, with new or reconditioned parts or products if it is found to be defective during the limited warranty period specified above. All replaced parts and products become the property of SAMSUNG and must be returned to SAMSUNG. Replacement parts and products assume the remaining original warranty, or ninety (90) days, whichever is longer.

In-home service will be provided during the warranty labor period subject to availability within the contiguous Canada. In-home service is not available in all areas. To receive in home service, the product must be unobstructed and accessible to the service agent. If during in-home service repair can not be completed, it may be necessary to remove, repair and return the product.

This limited warranty covers manufacturing defects in materials and workmanship encountered in normal, noncommercial use of this product and shall not apply to the following, including, but not limited to: damage which occurs in shipment; delivery and installation; applications and uses for which this product was not intended; altered product or serial numbers; cosmetic damage or exterior finish; accidents, abuse, neglect, fire, water, lightning, or other acts of nature; use of products, equipment, systems, utilities, services, parts, supplies, accessories, applications, installations, repairs, external wiring or connectors not supplied or authorized by SAMSUNG which damage this product or result in service problems; incorrect electrical line voltage, fluctuations, and surges; customer adjustments and failure to follow operating instructions, cleaning, maintenance, and environmental instructions that are covered and prescribed in the instruction book; problems caused by pest infestations, and overheating by user. SAMSUNG does not warrant uninterrupted or error-free operation of the product.

THERE ARE NO EXPRESS WARRANTIES OTHER THAN THOSE LISTED AND DESCRIBED ABOVE, AND NO WARRANTIES WHETHER EXPRESS OR IMPLIED, INCLUDING, BUT NOT LIMITED TO, ANY IMPLIED WARRANTIES OF MERCHANTABILITY OR FITNESS FOR A PARTICULAR PURPOSE, SHALL APPLY AFTER THE EXPRESS WARRANTY PERIODS STATED ABOVE, AND NO OTHER EXPRESS WARRANTY OR GUARANTEE GIVEN BY ANY PERSON, FIRM OR CORPORATION WITH RESPECT TO THIS PRODUCT SHALL BE BINDING ON SAMSUNG. SAMSUNG SHALL NOT BE LIABLE FOR LOSS OF REVENUE OR PROFITS, FAILURE TO REALIZE SAVINGS OR OTHER BENEFITS, OR ANY OTHER SPECIAL, INCIDENTAL OR CONSEQUENTIAL DAMAGES CAUSED BY THE USE, MISUSE, OR INABILITY TO USE THIS PRODUCT, REGARDLESS OF THE LEGAL THEORY ON WHICH THE CLAIM IS BASED, EVEN IF SAMSUNG HAS BEEN ADVISED OF THE POSSIBILITY OF SUCH DAMAGES. NOR SHALL RECOVERY OF ANY KIND AGAINST SAMSUNG BE GREATER IN AMOUNT THAN THE PURCHASE PRICE OF THE PRODUCT SOLD BY SAMSUNG AND CAUSING THE ALLEGED DAMAGE. WITHOUT LIMITING THE FOREGOING, PURCHASER ASSUMES ALL RISK AND LIABILITY FOR LOSS, DAMAGE OR INJURY TO PURCHASER AND PURCHASER'S PROPERTY AND TO OTHERS AND THEIR PROPERTY ARISING OUT OF THE USE, MISUSE OR INABILITY TO USE THIS PRODUCT SOLD BY SAMSUNG NOT CAUSED DIRECTLY BY THE NEGLIGENCE OF SAMSUNG. THIS LIMITED WARRANTY SHALL NOT EXTEND TO ANYONE OTHER THAN THE ORIGINAL PURCHASER OF THIS PRODUCT, IS NONTRANSFERABLE, AND STATES YOUR EXCLUSIVE REMEDY.

Memo

Some provinces or territories may or may not allow limitations on how long an implied warranty lasts, or the exclusion or limitation of incidental or consequential damages, so the above limitations or exclusions may not apply to you. This warranty gives you specific legal rights, and you may also have other rights which vary from state to state.

To obtain warranty service, please contact SAMSUNG at:

1-800-SAMSUNG (726-7864) or

www.samsung.com/ca/support (English),

www.samsung.com/ca_fr/support (French)

QUESTIONS OR COMMENTS?

COUNTRY	CALL	OR VISIT US ONLINE AT
U.S.A - Consumer Electronics	1-800-SAMSUNG (726-7864)	www.samsung.com/us/support
CANADA	1-800-SAMSUNG (726-7864)	www.samsung.com/ca/support (English) www.samsung.com/ca_fr/support (French)



DG68-01416C-02

Campana de estufa

Manual de usuario y de instalación

NK30CB600W**/NK36CB600W**



Contenido

Instrucciones de seguridad importantes	3	Uso de la iluminación	22
Requisitos de instalación	7	Activar/Desactivar Wi-Fi	22
Especificaciones generales	7	Funcionamiento automático para evitar el sobrecalentamiento de la campana de estufa	22
Altura de montaje	7	Acceso al AP(punto de acceso)	23
Métodos de ventilación	8	Retardo del apagado	23
Lista de piezas	8	Indicación de error	24
Lista de subpiezas	9	Bixby	24
Accesorios adicionales de compra	9	Amazon Alexa y el Asistente de Google	24
Espacios libres de instalación	9	Guía de instalación	24
Hacer un orificio en el mueble	10	Limpieza y mantenimiento	25
Instalación	11	Limpieza de la campana de estufa	25
Determinación de la ubicación	11	Limpieza de los filtros	25
Conexión del sistema de ventilación	12	Reemplazo de la lámpara LED	25
Instalación de la campana de estufa	13	App SmartThings	26
Conecte el cable de soporte del filtro	16	Anuncio de código abierto	27
Instalación del kit de recirculación	16	Solución de problemas	28
Descripción de la campana de estufa	20	Generalidades	28
Descripción general de la campana de estufa	20	Funcionamiento de la campana	28
Panel de botones	20	Códigos de información	28
Uso de la campana de estufa	21	Garantía (EE. UU.)	29
Activación y desactivación de la campana de estufa	21	Garantía (CANADÁ)	31
Cambio del modo de funcionamiento	21		
Activa/desactiva el modo Boost	21		
Aire de reposición	22		

Instrucciones de seguridad importantes

APROBADO SOLO PARA EL USO RESIDENCIAL DE APARATOS
LEA Y CONSERVE ESTAS INSTRUCCIONES

LEA TODA LA GUÍA DE INSTALACIÓN ANTES DE UTILIZAR.
LA INSTALACIÓN DEBE CUMPLIR CON TODOS LOS CÓDIGOS LOCALES.

IMPORTANTE: Conserve estas instrucciones para que puedan ser consultadas por el inspector local encargado de la electricidad.

INSTALADOR: Deje estas instrucciones junto con la unidad para el usuario.

USUARIO: Conserve estas instrucciones para futuras consultas.

Símbolos que se utilizan en este manual

ADVERTENCIA

Prácticas inseguras o peligrosas que pueden provocar lesiones graves o la muerte.

PRECAUCIÓN

Peligros o prácticas inseguras que pueden provocar una descarga eléctrica, lesiones personales o daños a la propiedad.

NOTA

Instrucciones y sugerencias útiles

Los siguientes íconos y símbolos de advertencia son para evitar que usted y otras personas sufran daños. Sígalos de forma explícita. Cuando haya leído esta sección, guárdela en un lugar seguro para futuras consultas.

ADVERTENCIA

Desconecte el circuito eléctrico en el panel de servicio y bloquee el panel antes de conectar este aparato.

Para la instalación se requiere un circuito derivado de 120 VCA, 60 Hz, y 15 o 20 A.

Advertencia de la Proposición 65 del Estado de California (solo en Estados Unidos)

ADVERTENCIA

Este producto contiene sustancias químicas reconocidas en el estado de California como causantes de cáncer y defectos de nacimiento u otros daños reproductivos.

1. Aviso de la FCC

PRECAUCIÓN

ADVERTENCIA DE LA FCC: Los cambios o modificaciones que la parte responsable del cumplimiento no haya aprobado de forma expresa podrían anular la autoridad del usuario para utilizar el equipo.

Este dispositivo cumple con la Parte 15 de las Normas de la FCC. El funcionamiento está sujeto a estas dos condiciones:

- 1) Este dispositivo no puede causar interferencia dañina, y
- 2) This device must accept any interference received, including interference that causes undesired operation.

Para productos vendidos en los mercados de Estados Unidos y Canadá, solo están disponibles los canales 1-11.

No se puede seleccionar ningún otro canal.

DECLARACIÓN DE LA FCC:

Este equipo ha sido sometido a pruebas y se ha determinado que cumple con los límites para un dispositivo digital clase B, de acuerdo con la Parte 15 de las Normas de la FCC. Estos límites están diseñados para proporcionar una protección razonable contra las interferencias perjudiciales en una instalación residencial.

El equipo genera, utiliza y puede irradiar energía de radiofrecuencia y, si no se instala y utiliza de acuerdo con las instrucciones, puede causar interferencias perjudiciales en las radiocomunicaciones.

No obstante, no se puede garantizar que no se produzcan interferencias en una instalación en particular. En caso de que este equipo cause interferencias perjudiciales en la recepción de radio o televisión, lo que se puede determinar desactivando y activando el equipo. Se recomienda al usuario que intente corregir las interferencias mediante una o varias de las siguientes medidas:

- cambiar la orientación o la ubicación de la antena receptora;
- aumentar la separación entre el equipo y el receptor;
- conectar el equipo a un tomacorriente que esté en un circuito diferente al de la radio o el televisor;
- consultar a un distribuidor o a un técnico de radio/televisión con experiencia para obtener ayuda.

Instrucciones de seguridad importantes

DECLARACIÓN DE LA FCC SOBRE LA EXPOSICIÓN A LA RADIACIÓN:

Este equipo cumple con los límites de exposición a la radiación de la FCC establecidos para un entorno no controlado. Este equipo debe instalarse y usarse de manera que haya al menos 8 pulgadas (20 cm) entre el radiador y el cuerpo. El dispositivo y la(s) antena(s) no deben estar ubicados ni funcionar junto con ninguna otra antena o transmisor.

2. Aviso de la IC

El término "IC" que precede al número de certificación de radio solo significa que se cumplen las especificaciones técnicas de Industry Canada. El funcionamiento está sujeto a estas dos condiciones: (1) este dispositivo no puede causar interferencias, y (2) este dispositivo debe aceptar cualquier interferencia, incluidas aquellas que puedan causar un funcionamiento no deseado del dispositivo.

Este aparato digital de clase B cumple con el estándar ICES-003 de Canadá. Para productos vendidos en los mercados de Estados Unidos y Canadá, solo están disponibles los canales 1-11. No se puede seleccionar ningún otro canal.

DECLARACIÓN DE IC SOBRE LA EXPOSICIÓN A LA RADIACIÓN:

Este equipo cumple con los límites de exposición a la radiación de la IC y el estándar RSS-102 establecidos para un entorno no controlado. Este equipo debe instalarse y usarse de manera que haya al menos 8 pulgadas (20 cm) entre el radiador y el cuerpo. El dispositivo y la(s) antena(s) no deben estar ubicados ni funcionar junto con ninguna otra antena o transmisor.

ADVERTENCIA

A FIN DE REDUCIR EL RIESGO DE INCENDIO, DESCARGA ELÉCTRICA O LESIONES A LAS PERSONAS, RESPETE LAS SIGUIENTES PRECAUCIONES:

- Utilice esta unidad solo de la manera prevista por el fabricante. Si tiene dudas, comuníquese con el fabricante.
- Antes de realizar el mantenimiento o la limpieza de la unidad, desconecte la alimentación en el panel de servicio y bloquéelo para evitar que la alimentación se conecte de forma accidental. Si no se puede bloquear el panel de servicio, fije en él, de manera segura, un dispositivo de advertencia que se destaque, como por ejemplo, una etiqueta.
- Quienes realicen la instalación y el cableado eléctrico deben ser personas calificadas y seguir todos los códigos y estándares correspondientes, incluida la construcción ignífuga.
- Es necesario que haya suficiente aire para una combustión adecuada y para la evacuación de los gases a través del conducto de humo (chimenea) del equipo de combustión, a fin de evitar el contratiraje. Siga las directrices del fabricante del equipo de calefacción y los estándares de seguridad, como los publicados por la Asociación Nacional de Protección contra Incendios (NFPA), la Sociedad Americana de Ingenieros de Calefacción, Refrigeración y Aire Acondicionado (ASHRAE) y las autoridades de los códigos locales.
- Cuando corte o perforo la pared o el techo, no dañe el cableado eléctrico ni otros elementos de servicios ocultos.
- Los ventiladores con conductos siempre deben tener salida hacia el exterior.

PRECAUCIÓN

Solo para uso general de ventilación. No lo utilice para extraer materiales y vapores peligrosos o explosivos.

PRECAUCIÓN

Para reducir el riesgo de incendio y extraer el aire de forma adecuada, asegúrese de canalizar el aire hacia el exterior; no ventile el aire de salida en espacios cerrados dentro de las paredes, techos, áticos, o en sótanos de poca altura o garajes.

▲ ADVERTENCIA

A FIN DE REDUCIR EL RIESGO DE INCENDIO, UTILICE SOLO CONDUCTOS METÁLICOS.

▲ ADVERTENCIA

PARA REDUCIR EL RIESGO DE INCENDIO DE LA GRASA DE LA PARTE SUPERIOR DE LA ESTUFA:

- Nunca descuide las unidades de superficie en ambientes con altas temperaturas. El sobrecalentamiento causa humo y derrames de grasa que pueden prenderse fuego. Caliente el aceite con lentitud, con temperaturas bajas o medias.
- Siempre ENCIENDA la campana cuando cocine a temperaturas altas o cuando flamee alimentos (p. ej., crepes Suzette, cerezas jubileas, carne flameada a la pimienta).
- Limpie los ventiladores con frecuencia. No permita que la grasa se acumule en el ventilador o en el filtro.
- Utilice ollas de tamaño adecuado. Siempre utilice utensilios de cocina apropiados para el tamaño del elemento de la superficie.

▲ ADVERTENCIA

PARA REDUCIR EL RIESGO DE LESIONES A LAS PERSONAS EN CASO DE INCENDIO DE LA GRASA DE LA PARTE SUPERIOR DE LA ESTUFA, TOMA LAS SIGUIENTES PRECAUCIONES:*

- EXTINGA LAS LLAMAS con una tapa que quede ajustada, una placa de hornear o una bandeja metálica y, luego, apague el quemador. PRESTE ATENCIÓN PARA PREVENIR QUEMADURAS. Si las llamas no se apagan de inmediato, EVACÚE Y LLAME AL DEPARTAMENTO DE BOMBEROS.
- NUNCA AGARRE UNA SARTÉN EN LLAMAS ya que puede quemarse.
- NO UTILICE AGUA, ni siquiera mediante paños de cocina o toallas mojados: se producirá una violenta explosión de vapor.
- Utilice un extintor SOLO si:
 - Sabe que tiene un extintor de clase ABC y cómo manejarlo.
 - El incendio es pequeño y está contenido en la zona donde se inició.
 - Se llamó a los bomberos.
 - Puede combatir el fuego de espaldas a una salida.

* Con base en las "Sugerencias de seguridad para los incendios en la cocina" publicadas por la NFPA.

▲ ADVERTENCIA

A fin de reducir el riesgo de incendio o descarga eléctrica, no utilice este ventilador con ningún dispositivo de control de velocidad de estado sólido.

▲ ADVERTENCIA

No permita que los niños se acerquen a este aparato. No permita que los niños jueguen con este aparato. Mantenga todos los materiales de embalaje fuera del alcance de los niños. Deseche los materiales de embalaje de forma adecuada después de desembalar este aparato.

Requisitos eléctricos**IMPORTANTE**

Cumpla todos los códigos y ordenanzas exigidos por las autoridades pertinentes. Es responsabilidad del cliente:

Comunicarse con un instalador eléctrico cualificado.

Asegurarse de que la instalación eléctrica sea adecuada y esté en conformidad con el Código Eléctrico Nacional, ANSI/NFPA 70, última edición*, o con los estándares CSA C22.1-94, Código Eléctrico Canadiense, Parte 1 y C22.2 n° 0-M91, última edición**, y todos los códigos y ordenanzas locales.

Si los códigos lo permiten y se utiliza un cable de conexión a tierra separado, se recomienda que un electricista cualificado determine que la trayectoria de la conexión a tierra sea adecuada. Se puede obtener una copia de los estándares de los códigos anteriores en:

Asociación Nacional de Protección contra Incendios

1 Batterymarch Park
Quincy, MA 02169-7471
CSA International
8501 East Pleasant Valley Road
Cleveland, OH 44131-5575

- Se requiere un circuito eléctrico de 120 voltios, 60 Hz., solo CA, 15 amperios, con fusible.
- Si la casa tiene cableado de aluminio, siga el siguiente procedimiento:
 1. Conecte una sección de cable de cobre sólido a los conductores flexibles.
 2. Conecte el cableado de aluminio a la sección agregada de cable de cobre mediante conectores especiales o herramientas diseñados y con certificación UL para unir cobre con aluminio.

Instrucciones de seguridad importantes

- Siga el procedimiento recomendado por el fabricante del conector eléctrico. Las conexiones de aluminio/cobre deben cumplir con los códigos locales y las prácticas de cableado aceptadas de la industria.
- Los tamaños de los cables y las conexiones deben ajustarse a la clasificación del aparato tal como se especifica en la placa de clasificación del modelo/serie. La placa de modelo/serie se encuentra detrás del filtro en la pared posterior de la campana de estufa.
- Los tamaños de los cables deben cumplir con los requisitos del Código Eléctrico Nacional, ANSI/NFPA 70 (última edición) o con los estándares CSA C22.1-94, Código Eléctrico Canadiense, Parte 1 y C22.2 n° 0-M91 (última edición), así como con todos los códigos y ordenanzas locales.

INSTRUCCIONES PARA LA CONEXIÓN A TIERRA

Este aparato debe estar conectado a tierra. En caso de que se produzca un cortocircuito eléctrico, la conexión a tierra reduce el riesgo de descarga eléctrica al proporcionar un cable de escape para la corriente eléctrica. Este aparato está equipado con un cable que tiene una conexión a tierra con un enchufe de conexión a tierra. El enchufe debe conectarse a un tomacorriente que esté instalado y conectado a tierra de forma adecuada.

⚠ ADVERTENCIA

- Una conexión a tierra inadecuada puede causar un riesgo de descarga eléctrica.
- Consulte a un electricista cualificado si no comprende por completo las instrucciones de conexión a tierra o si tiene dudas sobre si el aparato está conectado a tierra de forma correcta.
- No utilice un alargue. Si el cable de alimentación es demasiado corto, haga que un electricista cualificado instale un tomacorriente cerca del aparato.

Requisitos de ventilación (solo modelos con conductos)

- El sistema de ventilación debe terminar en el exterior.
- No termine el sistema de ventilación en un ático u otra área cerrada.
- No utilice un tapón de pared tipo lavadero de 4" (10,2 cm).
- Utilice únicamente ventilaciones metálicas. Se recomiendan las ventilaciones metálicas rígidas. No se recomiendan las ventilaciones de plástico o de papel metálico.
- La longitud del sistema de ventilación y la cantidad de codos deben mantenerse al mínimo para proporcionar un rendimiento eficiente.

Para obtener un funcionamiento más eficiente y silencioso:

- No utilice más de tres codos de 90 °.
- Asegúrese de que haya un mínimo de 24" (61 cm) de ventilación recta entre los codos si se utiliza más de uno.
- No instale dos codos juntos.
- Utilice abrazaderas para sellar todas las juntas del sistema de ventilación.
- El sistema de ventilación debe tener un regulador.
- Utilice sellador para sellar la abertura de la pared exterior o del techo alrededor de la tapa.
- El tamaño de la ventilación debe ser uniforme.

Métodos de ventilación

Si desea utilizar la salida superior de la campana para ventilar su campana, se requiere un sistema de ventilación redondo de 6" (15,2 cm). Para utilizar la salida trasera de la campana, se requiere un sistema de ventilación rectangular de 31/4" x 10" (8,25 x 25,4 cm). No se incluyen ninguno de estos sistemas de ventilación; deben adquirirse por separado.

📖 NOTA

No se recomiendan las ventilaciones flexibles. Las ventilaciones flexibles crean una contrapresión y una turbulencia de aire que reducen el rendimiento en gran medida. El sistema de ventilación puede terminar en el techo o en la pared. Para ventilar a través de una pared, se necesita un codo de 90 °.

Altura de montaje

Seleccione una altura de montaje entre un mínimo de 24" (61 cm) para una superficie de cocción eléctrica, un mínimo de 27" (68,6 cm) para una superficie de cocción de gas, y un máximo sugerido de 36" (91,4 cm) por encima de la estufa hasta la parte inferior de la campana.

Descarga trasera

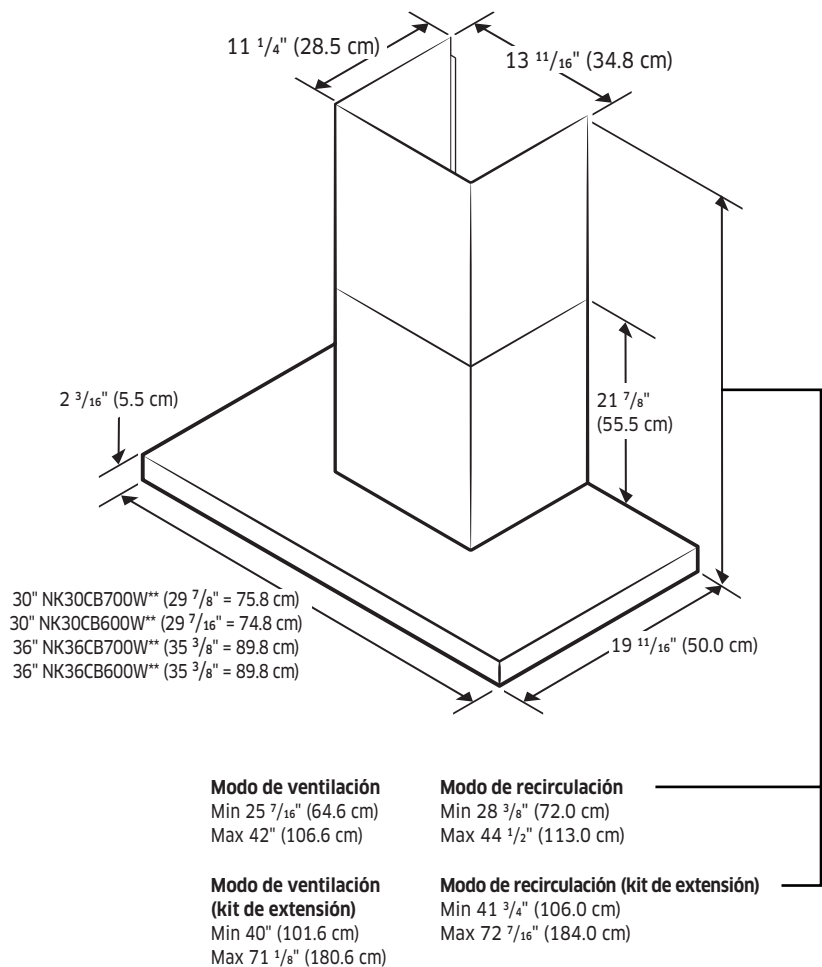
Se puede instalar un codo de 90 ° inmediatamente por encima de la campana.

Para instalaciones sin ventilación (de recirculación)

Si no es posible ventilar los humos y vapores de la cocción hacia el exterior, la campana puede utilizarse en la versión sin ventilación (de recirculación), instalando un filtro de carbón y una rejilla de plástico. Los humos y vapores se reciclan a través de la rejilla de recirculación.

Requisitos de instalación

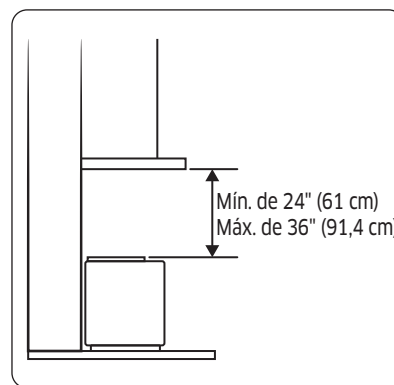
Especificaciones generales



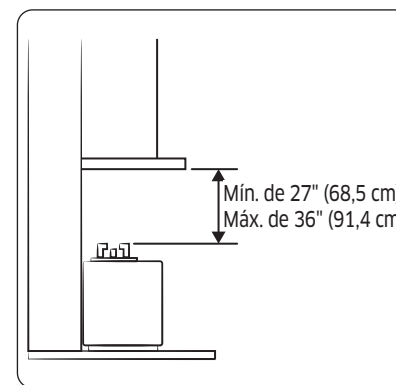
Altura de montaje

⚠ PRECAUCIÓN

- Asegúrese de verificar la altura de montaje antes de instalar el producto.
- La altura de montaje se mide desde la parte superior de la estufa hasta los gabinetes superiores. La altura de montaje para una superficie de cocción eléctrica se mide desde su placa de cocción de vidrio, como se muestra en la imagen de la izquierda. Para una superficie de cocción de gas, la altura de montaje se mide desde la parte superior de las rejillas de cocción, como se muestra en la imagen de la derecha.



ESTUFAS ELÉCTRICAS

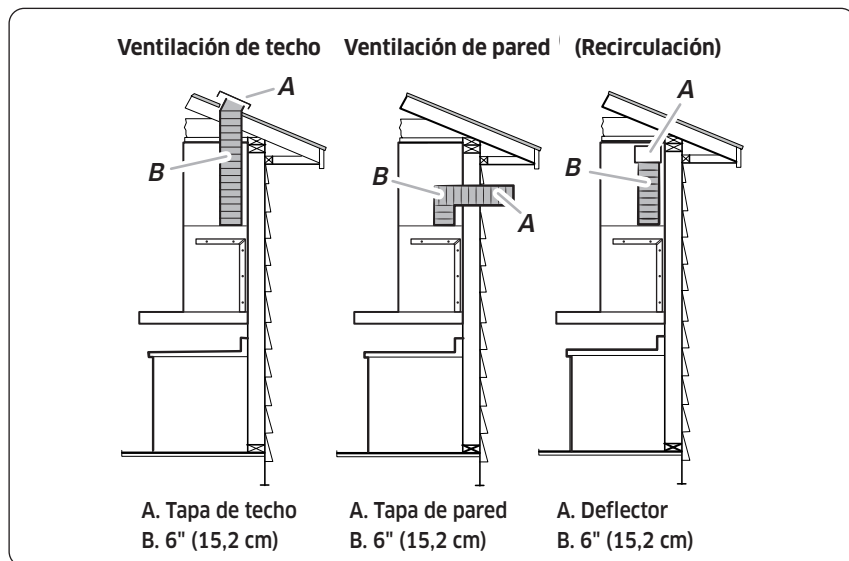


ESTUFAS DE GAS

Requisitos de instalación

Métodos de ventilación

El humo se expulsa al exterior a través de un tubo especial conectado a la campana.



⚠ PRECAUCIÓN

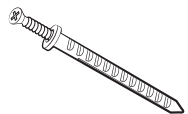
- El diámetro mínimo conectable de la salida de humo es de 6" (15,2 cm).
- Verifique que el diámetro de la salida de humo y el diámetro del conducto coincidan y luego conecte el conducto a la salida de la pared.
- En caso de que el conducto y la salida de la pared tengan diámetros diferentes, el rendimiento de succión disminuirá y el ruido aumentará de forma significativa. El fabricante no se hace responsable de los problemas causados por este motivo.
- Utilice la longitud mínima posible para el conducto y no altere demasiado la sección transversal.
- Cuando conecte el conducto, reduzca la curvatura al mínimo. (Ángulo de curvatura máximo: 90 °)
- En un entorno en el que sea posible la instalación con un método de ventilación externa, asegúrese de instalar solo con el método de ventilación externa.

Lista de piezas

Manual de usuario y de instalación (2)	Plantilla para la instalación (1)	Ménsula de montaje de la campana (1)
Ménsula de montaje de la cubierta del conducto (1)	Regulador eléctrico (1) Solo NK3*CB700W**	Regulador (1) Solo NK3*CB600W**
Adaptador del regulador (1)	Cubierta del conducto superior (1)	Cubierta del conducto inferior (1)
Imán de 5 mm (2)	Cable de soporte del filtro* (2)	

* Para reducir el riesgo de que el filtro se caiga, monte el cable de soporte del filtro en el filtro.

Lista de subpiezas



6 × 130 mm
Anclaje de tornillo (2)



6 × 30 mm
Anclaje de tornillo (5)



4 × 10 mm
Tornillo de fijación de
la campana (10)



Arandela de 22 mm (4)

NOTA

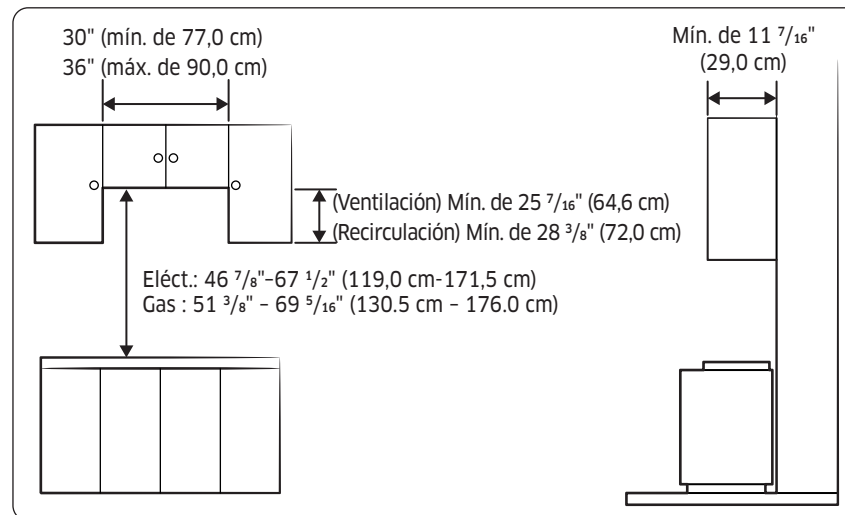
Instale el producto con los accesorios y materiales incluidos de forma adecuada y de acuerdo con el entorno y las condiciones de instalación.

Accesorios adicionales de compra

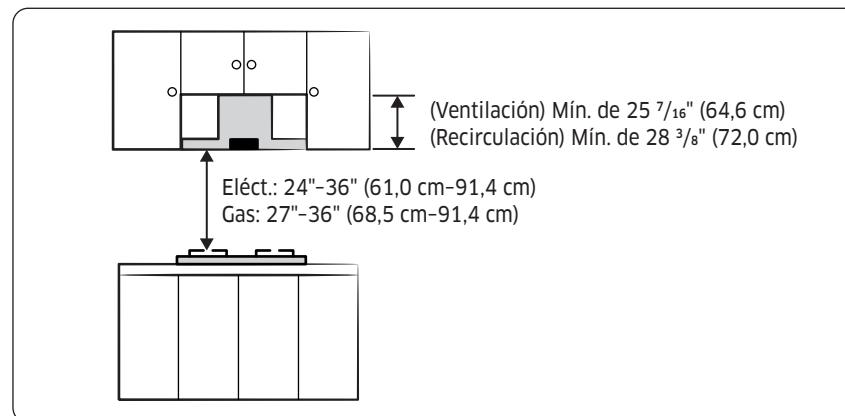
Modelo	NK30CB600W**, NK36CB600W**
Kit de recirculación	NK-AR7000WB/AA
Kit del filtro de carbón	NK-AF7000WB/AA
Kit de extensión de la campana	NK-AE6000W*/AA

Espacios libres de instalación

Dimensión del mueble superior



Altura requerida de instalación de la campana

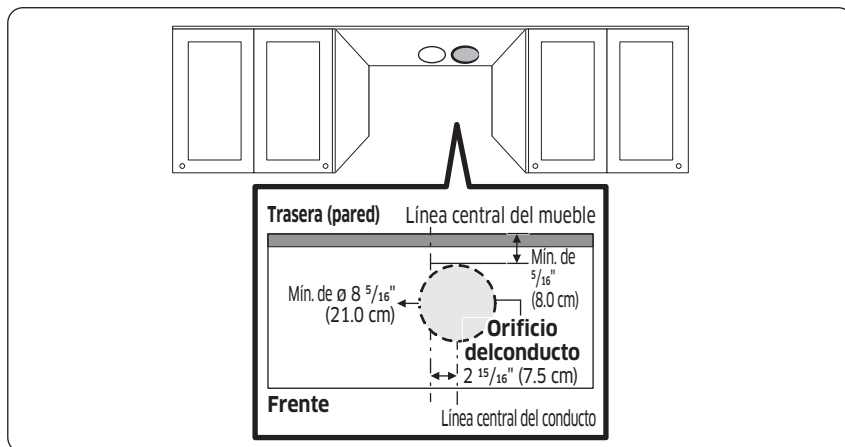


Requisitos de instalación

Hacer un orificio en el mueble

Guía de perforación del conducto_Op.1

Trabajo de perforación en el piso del gabinete: trabajo de corte del conducto de salida de la campana (regulador)



⚠ PRECAUCIÓN

- Corte el gabinete de forma que no interfiera con la salida del regulador.
- Después de montar la cubierta del conducto, asegúrese de que la superficie cortada del gabinete no quede expuesta. (El tamaño del orificio debe ser menor que el de la cubierta del conducto).
- Aspire el aserrín para evitar que se vuele.
- Asegúrese de que los gabinetes no estén dañados.
- Antes de cortar el gabinete, explique al cliente que es necesario cortarlo y obtenga su consentimiento antes de proceder.

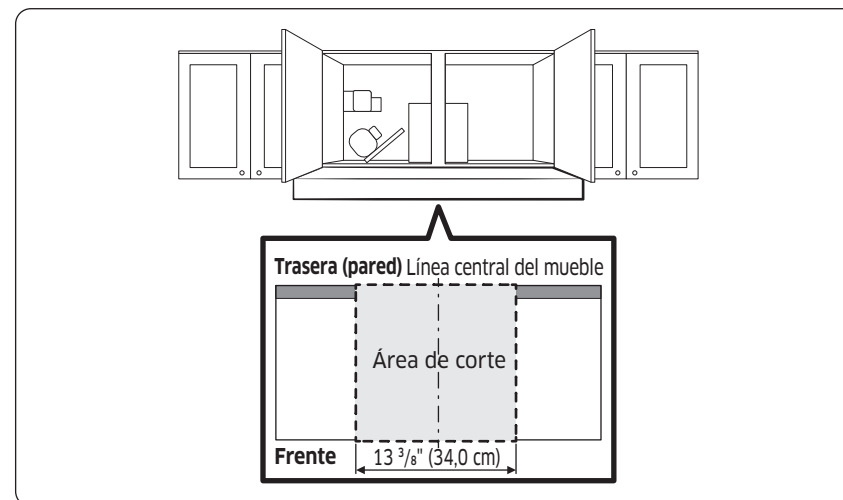
Método y secuencia de corte de los gabinetes superiores

1. Consulte las dimensiones de corte que se indicaron con anterioridad y marque las líneas a cortar en el gabinete.
2. Utilice una sierra caladora para cortar los gabinetes superiores. Al cortar, utilice una aspiradora para reducir al mínimo la cantidad de polvo.

Herramienta de instalación	Sierra caladora
----------------------------	-----------------

Guía de perforación del conducto_Op.2

Trabajo de perforación en el piso del gabinete: trabajo de corte del conducto de salida de la campana (regulador)



⚠ PRECAUCIÓN

- Corte el gabinete de forma que no interfiera con la salida del regulador.
- Aspire el aserrín para evitar que se vuele.
- Asegúrese de que los gabinetes no estén dañados.
- Antes de cortar el gabinete, explique al cliente que es necesario cortarlo y obtenga su consentimiento antes de proceder.

Método y secuencia de corte de los gabinetes superiores

1. Consulte las dimensiones de corte que se indicaron con anterioridad y marque las líneas a cortar en el gabinete.
2. Utilice una sierra caladora para cortar los gabinetes superiores. Al cortar, utilice una aspiradora para reducir al mínimo la cantidad de polvo.

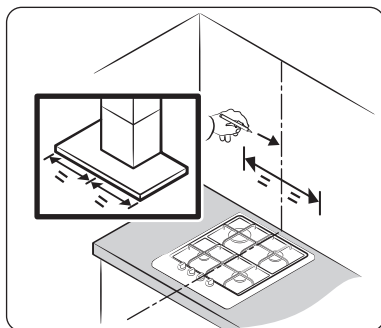
Herramienta de instalación	Sierra caladora, amoladora
----------------------------	----------------------------

Instalación

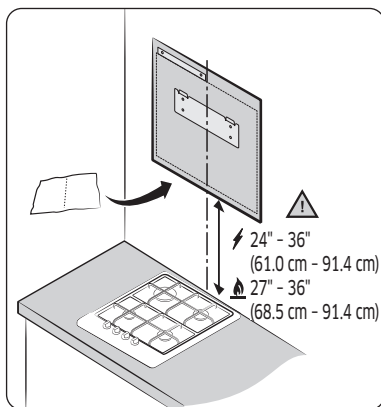
⚠ PRECAUCIÓN

- Este producto debe instalarse por un instalador profesional de campanas.
- Si el producto se instala en una pared de azulejos o en una pared de yeso, existe el riesgo de que la campana se caiga, por lo que debe asegurarse de colocar los tornillos de fijación en el hormigón que hay detrás de la pared.
- No fije el producto como si fuera un azulejo ni use cemento, silicona o adhesivo. Instálelo en una pared de hormigón usando los tornillos que se suministran.

Determinación de la ubicación



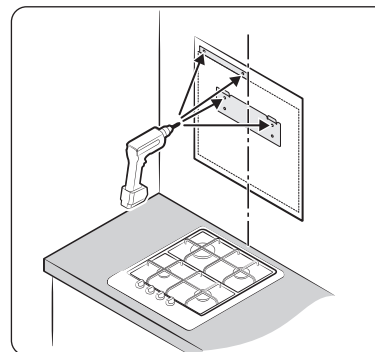
1. Asegúrese de que el producto adquirido es adecuado para el espacio de instalación que eligió.



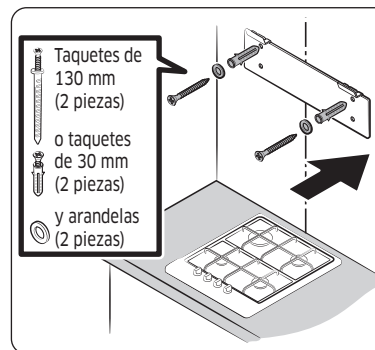
2. Fije la plantilla de instalación adjunta y luego instálela de manera que no se tuerza de forma horizontal.

⚠ PRECAUCIÓN

Preste atención a la altura de montaje. La altura de montaje se mide desde la parte superior de la estufa hasta los gabinetes superiores. La altura de montaje para una superficie de cocción eléctrica se mide desde su placa de cocción de vidrio. Para una superficie de cocción de gas, la altura de montaje se mide desde la parte superior de las rejillas de cocción.



3. Verifique la posición para fijar la ménsula de montaje de la campana.



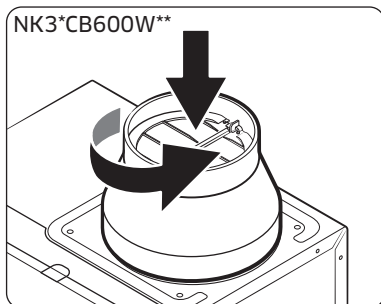
4. Fije la ménsula de montaje de la campana de forma horizontal en la pared donde se va a instalar la campana con los taquetes, los tornillos de la ménsula de montaje de la campana y las arandelas. Asegúrese de instalarla en la pared con los dos taquetes de 30 mm.

📄 NOTA

Para obtener una sujeción segura, utilice un taquete de 130 mm.

Instalación

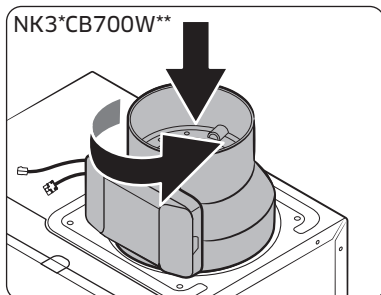
Conexión del sistema de ventilación



5. Para evitar el reflujo, monte el regulador o el regulador eléctrico girándolo hacia dentro del conducto de salida de la campana.

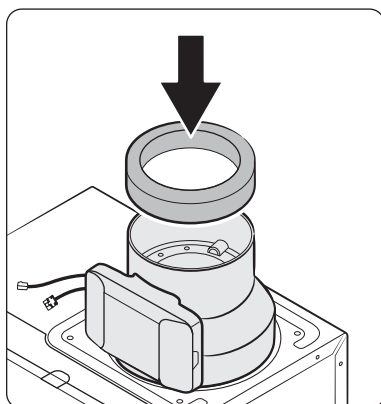
NOTA

- El regulador se suministra con el modelo NK3*CB600W**.
- El regulador eléctrico se suministra con el modelo NK3*CB700W**.



PRECAUCIÓN

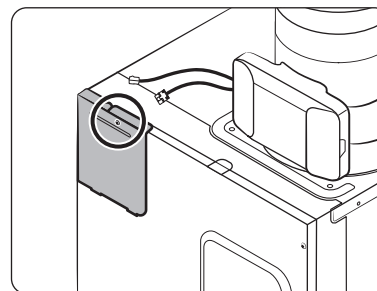
Verifique que el regulador eléctrico se asiente de forma correcta en la rosca del tornillo y que no esté inclinado. Si el regulador eléctrico no está al ras, se producirá una fuga de aire a través del hueco.



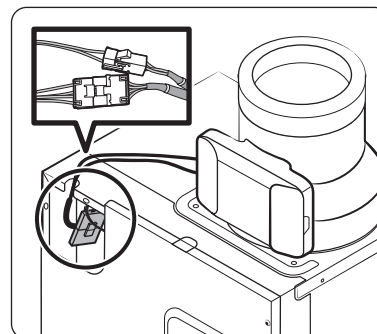
6. Monte el adaptador del regulador introduciéndolo en el regulador o regulador eléctrico. Fijelo con cinta adhesiva.

NOTA

- Si la campana es NK3*CB600W**, siga desde el n° 10.
- Si la campana es NK3*CB700W**, siga desde el n° 7.



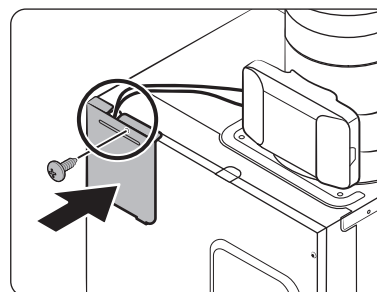
7. Retire la cubierta aflojando el tornillo de la cubierta de PCB.



8. Conecte el conector del cable del regulador eléctrico y el conector del PCB.

NOTA

Inserte el cable en el orificio de la esquina superior izquierda.

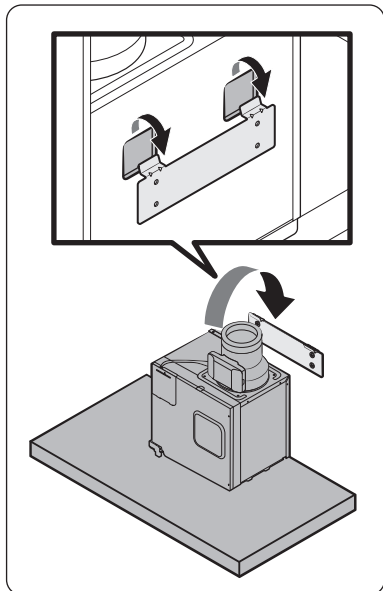


9. Monte la cubierta del PCB con un tornillo.

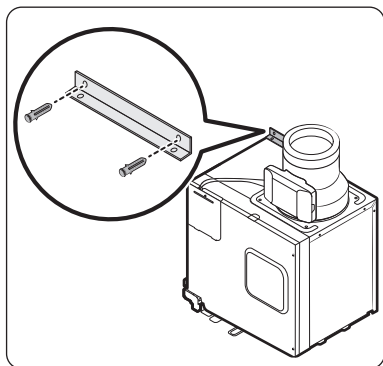
NOTA

Coloque el conector ya conectado en el orificio de la cubierta, como se muestra en la imagen.

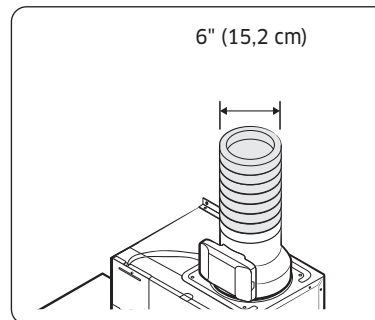
Instalación de la campana de estufa



10. Fije la campana en la ménsula de montaje de la campana instalada en la pared.



11. Fije la ménsula auxiliar del conducto con dos taquetes de 30 mm en la parte superior izquierda del conducto.

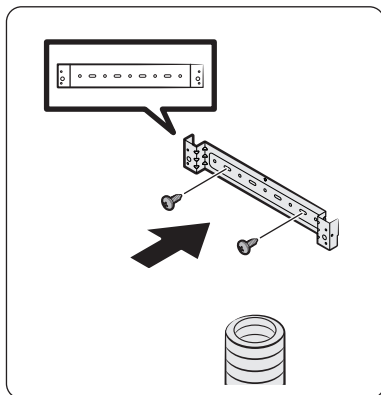


12. Fije el conducto (6" [15,2 cm]) a la salida de la campana y a la ventilación de la pared, respectivamente, con cinta adhesiva.

⚠ PRECAUCIÓN

- Verifique que el diámetro de la salida de humo y el diámetro del conducto coincidan y luego conecte el conducto a la salida de la pared.
- En caso de que el conducto y la salida de la pared tengan diámetros diferentes, el rendimiento de succión disminuirá y aumentará el ruido de forma significativa. El fabricante no se hace responsable de los problemas causados por este motivo.
- Utilice la longitud mínima posible para el conducto y no altere demasiado la sección transversal.
- Reduzca al mínimo la curvatura al conectar el conducto (ángulo de curvatura máx.: 90 grados).

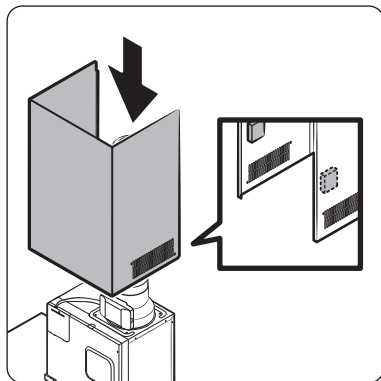
Instalación



13. Fije la ménsula de montaje de la cubierta del conducto al techo o a la pared posterior con los tornillos de fijación de la campana de 10 mm.

⚠ PRECAUCIÓN

- Instale el conducto superior cerca del techo y de los gabinetes superiores.
- Cuide que el conducto superior no entre en contacto con la puerta del gabinete superior.



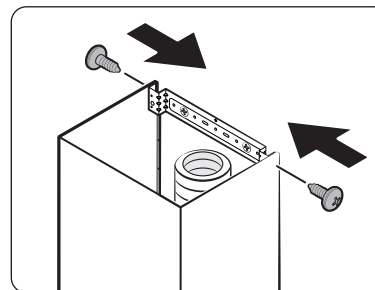
14. Fije cada imán a la superficie interior de la cubierta del conducto superior superponiendo la cubierta del conducto inferior y monte la cubierta del conducto superior de forma que se ajuste a la ménsula de montaje.

⚠ ADVERTENCIA

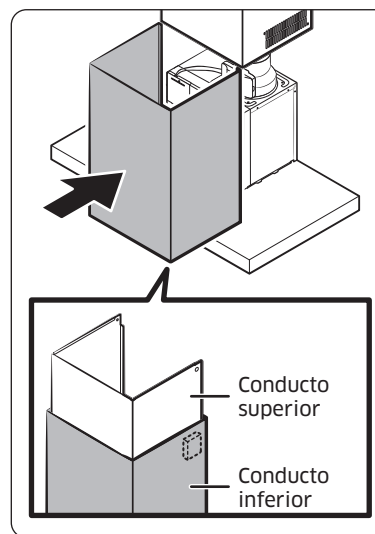
La instalación con tornillos o ménsulas distintos a los que se especifican en las instrucciones de este manual puede provocar riesgos eléctricos.

📄 NOTA

Los imanes se incluyen en la caja de accesorios.



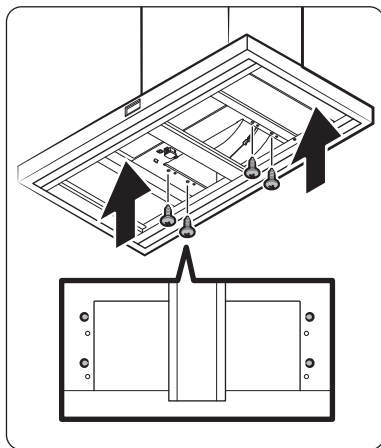
15. Monte con los tornillos de fijación de la campana de 10 mm por ambos lados.



16. Monte la cubierta del conducto inferior a la campana. Los imanes de la cubierta del conducto superior mantienen la cubierta del conducto inferior en su lugar.

📄 NOTA

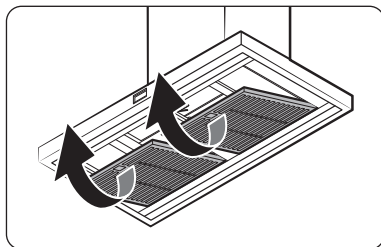
El imán debe fijarse en la línea superior del conducto inferior.



17. Retire el filtro de la parte inferior de la campana.
Monte la cubierta del conducto inferior y coloque un tornillo de fijación de la campana de 10 mm en el orificio de la cubierta del conducto inferior.

⚠ PRECAUCIÓN

Al retirar el filtro, utilice ambas manos para evitar que se caiga.



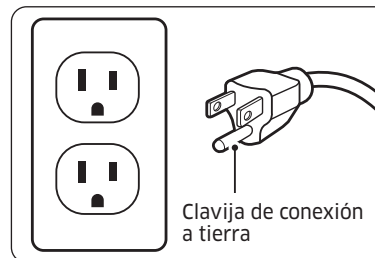
18. Una vez terminado el montaje de la cubierta del conducto inferior, vuelva a montar el filtro en el orden inverso al del desmontaje.

📖 NOTA

Para instalar el kit de extensión, siga el mismo proceso.

⚠ ADVERTENCIA

Por seguridad, utilice un tomacorriente con terminal de conexión a tierra. Esto puede evitar el riesgo de descarga eléctrica, incendio o mal funcionamiento. En caso de que el tomacorriente no tenga un terminal con conexión a tierra, compre un cable de conexión a tierra por separado y conéctelo a la línea de tierra.



⚠ PRECAUCIÓN

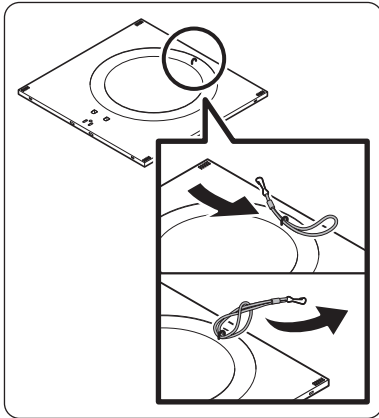
No conecte a tierra las tuberías de gas, agua, líneas de teléfono, etc.

📖 NOTA

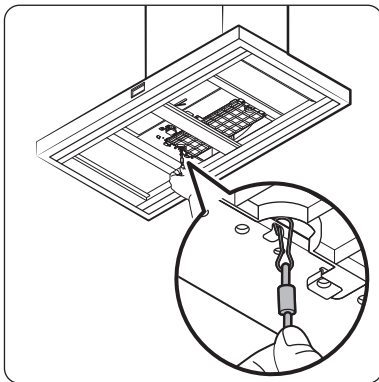
Asegúrese de instalar un disyuntor de cortocircuito donde haya riesgo de cortocircuito.

Instalación

Conecte el cable de soporte del filtro



1. Retire el filtro de la parte inferior de la campana. Pase el cable de soporte del filtro a través del bucle de alambre fijado en la parte superior del filtro. Haga el nudo pasando el gancho del cable de soporte del filtro por el otro extremo del cable de soporte del filtro.

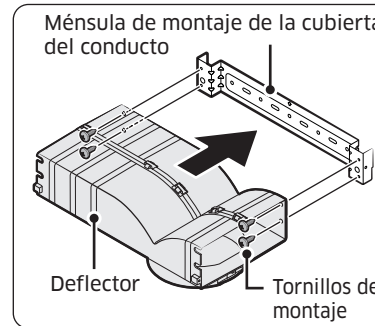


2. Cuelgue el gancho del cable de soporte del filtro en el anclaje de la parte inferior de la campana. Monte el filtro.

Instalación del kit de recirculación

NOTA

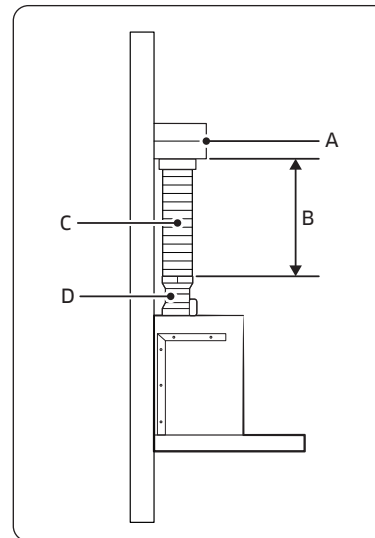
Realice el mismo proceso hasta el n° 14



1. Ensamble el deflector de aire con la ménsula de montaje de la cubierta del conducto con los cuatro tornillos de montaje que se suministran con el kit de recirculación.

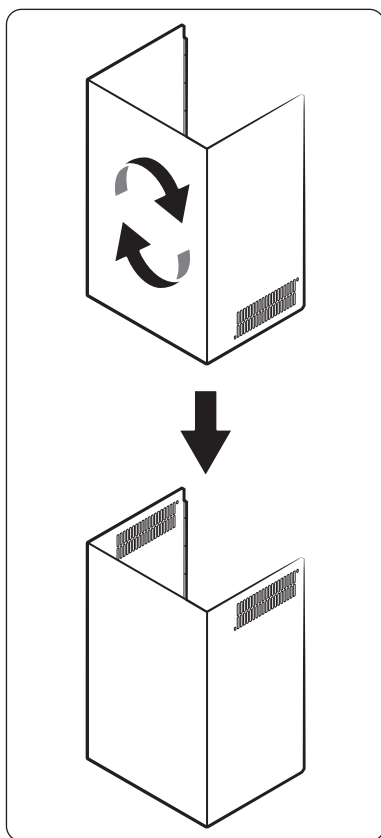
NOTA

- El uso de campanas de recirculación en espacios cerrados puede causar un bajo rendimiento de ventilación.
- Cuando el dispositivo esté en funcionamiento, abra las ventanas para la ventilar la habitación.

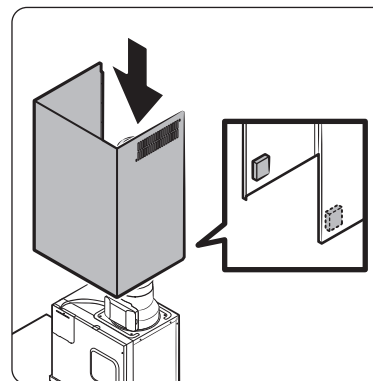


2. Mida desde la parte inferior del deflector hasta la parte inferior de la salida de la campana.
3. Corte el conducto a la medida "X".
4. Retire el deflector.
5. Deslice el conducto sobre la parte inferior del deflector.
6. Coloque el deflector y el conducto ensamblados sobre la salida de humo de la campana.
7. Vuelva a ensamblar el deflector de aire con la ménsula de montaje de la cubierta del conducto con los cuatro tornillos de montaje.
8. Selle las conexiones con cinta adhesiva.

A	Deflector
B	X = longitud que se debe cortar en el conducto
C	Conducto
D	Salida de humo



9. Gire el conducto superior como en la imagen.



10. Fije cada imán a la superficie interior de la cubierta del conducto superior superponiendo con la cubierta del conducto inferior y monte la cubierta del conducto superior de forma que se ajuste a la ménsula de montaje.

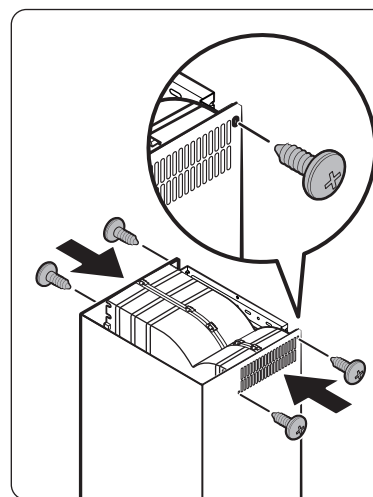
⚠ ADVERTENCIA

La instalación con tornillos o ménsulas distintos a los que se especifican en las instrucciones de este manual puede provocar riesgos eléctricos.

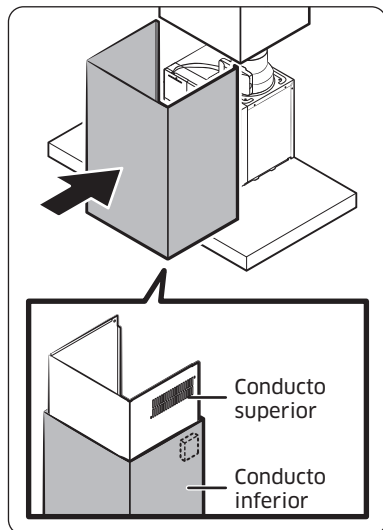
📖 NOTA

Los imanes se incluyen en la caja de accesorios.

11. Monte con los tornillos de fijación de la campana de 10 mm por ambos lados.



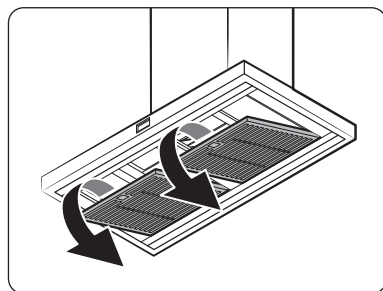
Instalación



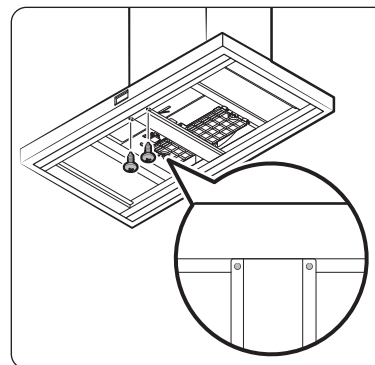
12. Monte la cubierta del conducto inferior a la campana. Los imanes de la cubierta del conducto superior mantienen la cubierta del conducto inferior en su lugar.

NOTA

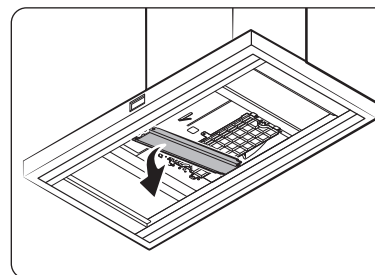
El imán debe fijarse en la línea superior del conducto inferior.



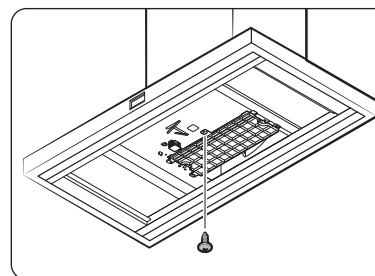
13. Retire el filtro metálico para grasa de la campana de estufa.



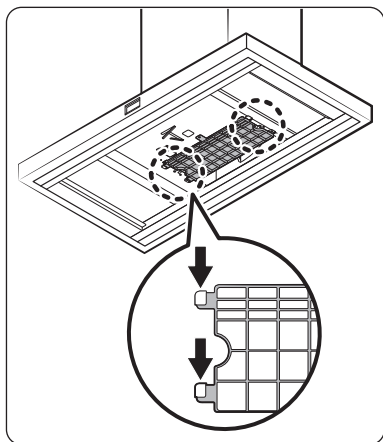
14. Retire los 2 tornillos de la campana de estufa.



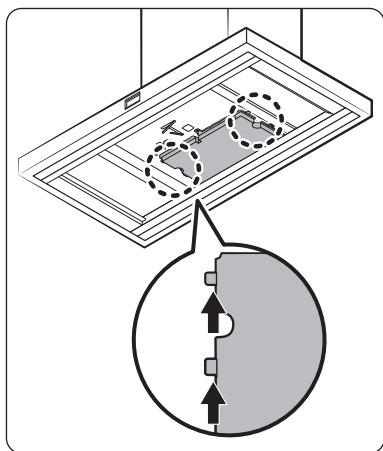
15. Retire la parte central del marco de la campana de estufa.



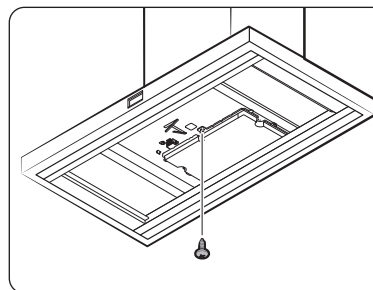
16. Retire un tornillo de la campana de estufa.



17. Retire la protección y empuje el gancho de la protección en la dirección de la flecha.

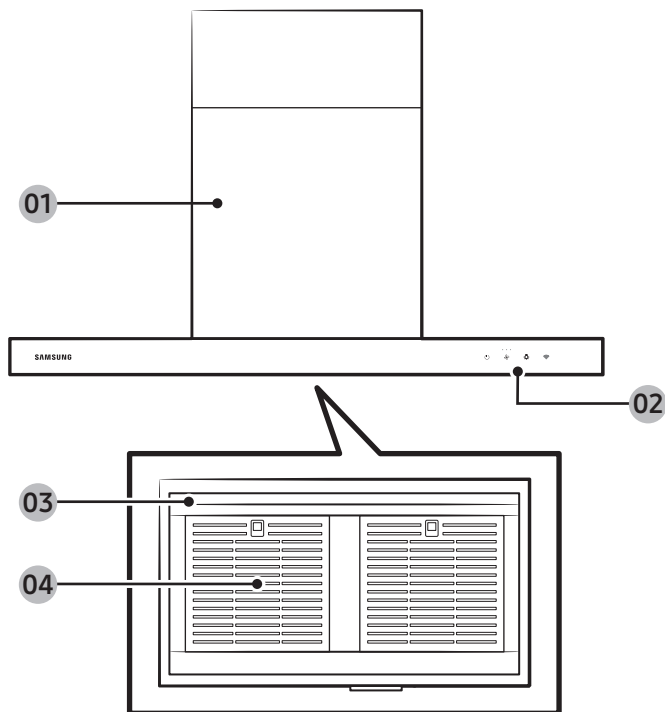


18. Inserte el gancho del filtro de carbón y empújelo en la dirección de la flecha.



19. Monte el filtro de carbón con el tornillo de montaje que se suministra con el kit de recirculación. Vuelva a montar el centro del marco y el filtro en el orden inverso al del desmontaje.

Descripción de la campana de estufa



01 Conducto

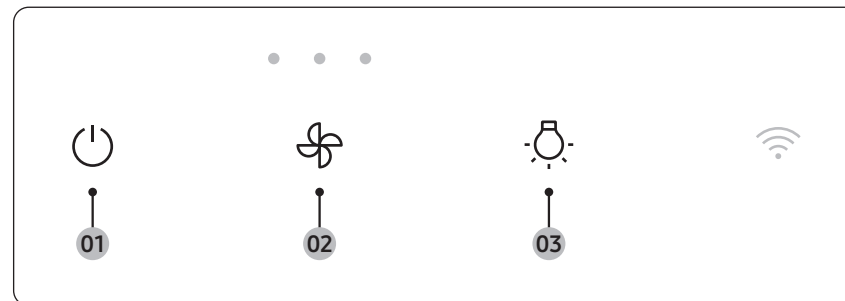
02 Panel de botones

03 Lámpara

04 Filtro

Descripción general de la campana de estufa

Panel de botones



01 Botón de encendido

- Pulsación corta: ACTIVA y DESACTIVA el dispositivo.

02 Botón de modo

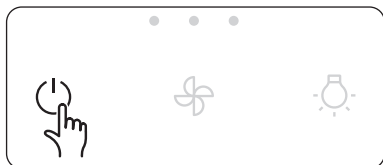
- Pulsación corta: Cambia el modo de funcionamiento. (Baja → Medio → Alta → (Boost))
- Pulsación de 5 segundos: Desactiva/activa el Wi-Fi
 - El modo de retardo del apagado puede activarse en la aplicación SmartThings.
 - El tiempo de uso del filtro puede verificarse en la aplicación SmartThings.
 - La campana de estufa puede funcionar mediante automatizaciones con productos Samsung registrados en la aplicación SmartThings.
- Pulsación de 10 segundos: Activa/desactiva el modo Boost.

03 Botón de luz

- Pulsación corta: Cambia el modo de luz (Alta → Baja → Apagado)
- Pulsación de 5 segundos: Activa/desactiva el AP

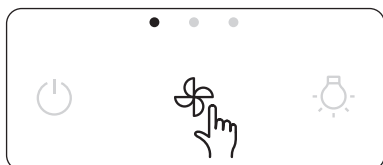
Uso de la campana de estufa

Activación y desactivación de la campana de estufa




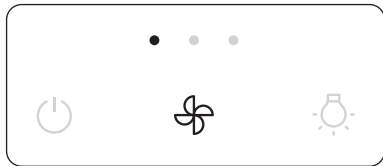
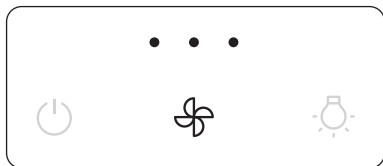
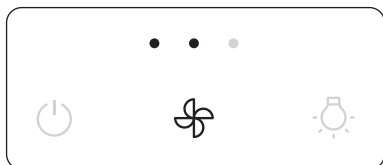
El dispositivo se activa con un sonido de campanilla y comienza a funcionar en modo Baja.

Cambio del modo de funcionamiento

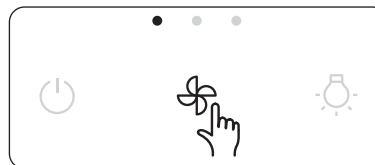


Cambie el modo de funcionamiento del dispositivo según sea necesario.



- Presione el botón  para seleccionar el modo de funcionamiento a utilizar.
 - Al presionar el botón, el modo cambia en el siguiente orden: Baja → Medio → Alta → (Boost)

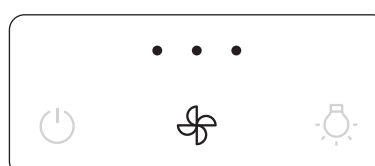
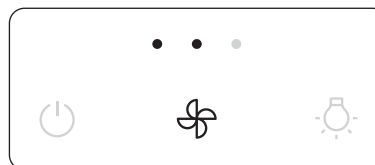
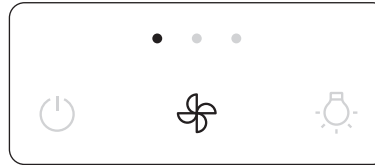


Activa/desactiva el modo Boost



El modo Boost es una función que permite un escape potente durante un corto período de tiempo.

1. Presione el botón  durante 10 segundos.
2. Se ha agregado el modo Boost. El modo Boost (máx. 630 CFM) está disponible.
3. Los LED del botón  se iluminan de forma secuencial mientras el modo Boost está activado.



Uso de la campana de estufa

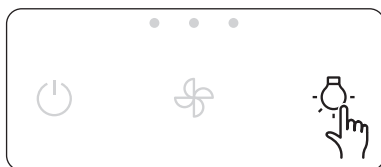
Aire de reposición

- Cuando utilice sistemas de ventilación con un movimiento de aire superior a los CFM especificados, revise los códigos de construcción locales ya que pueden requerir sistemas de aire de reposición. Consulte a un profesional de climatización para conocer los requisitos específicos de su zona, ya que los requisitos de CFM pueden variar según el lugar.
- Consulte a un profesional en climatización para seleccionar la campana de estufa con la capacidad de CFM correcta para su aplicación. La capacidad de CFM depende de la clasificación de BTU de la cocina o placa de cocción, el tamaño y la ubicación, el tamaño de la cocina y los conductos de la campana de estufa en la cocina.


⚠ PRECAUCIÓN

No active esta función sin que esté presente una persona cualificada. Recomendamos que un técnico cualificado instale la campana de estufa. Es responsabilidad del instalador asegurarse de que la campana de estufa cumple con los espacios libres de instalación especificados para el producto. Para activar el modo Boost de esta función, se requiere el sistema de aire de reposición.

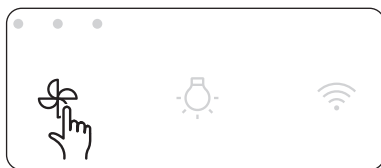
Uso de la iluminación





Adjusting the lighting level of the product.

- Presione el botón  brevemente para seleccionar el paso de iluminación que desee.
 - Se repite en el orden de Alta → Baja → Apagado.

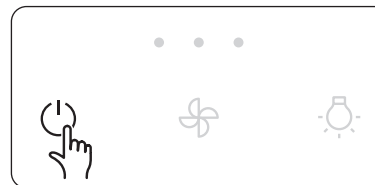
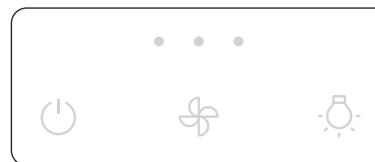
Activar/Desactivar Wi-Fi



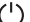
Esta función activa o desactiva el Wi-Fi del producto.

- Presione el botón  durante 5 segundos. Presione el botón  otra vez durante 5 segundos para activar el Wi-Fi.

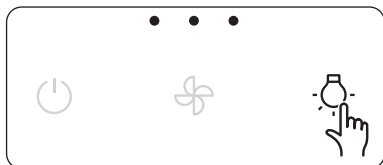
Funcionamiento automático para evitar el sobrecalentamiento de la campana de estufa




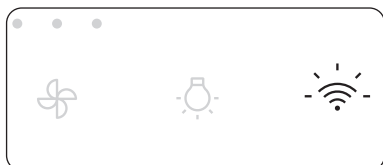
Esta función evita el sobrecalentamiento cuando la campana está desactivada.


- Cuando la temperatura de la campana aumenta, el LED central del botón de modo parpadea y funciona en modo Medio.
- Si la temperatura de la campana se estabiliza o se presiona el botón , la campana se desactiva.

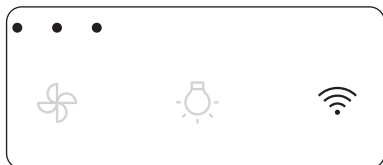
Acceso al AP(punto de acceso)



1. Presione el botón  durante 5 segundos, como se indica en la aplicación.

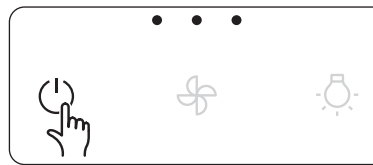


2. Cuando está en modo AP, el ícono  parpadea. Continúe con la conexión según la guía del móvil.



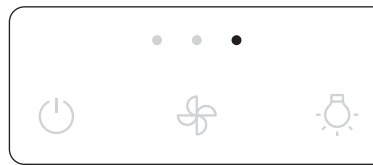
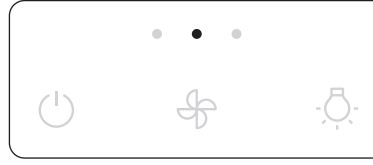
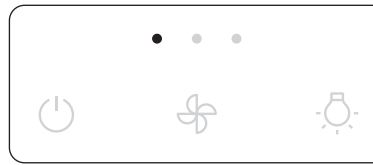
3. Cuando la conexión se completa, el ícono  permanece encendido.

Retardo del apagado



El retardo del apagado es una función que ventila los contaminantes que quedan en la cocina después de cocinar y funciona después de que la campana se desactive.

- Al configurar la función de retardo del apagado en la aplicación SmartThings y apagar la campana en funcionamiento, la función de retardo del apagado funcionará.
- Los LED del botón  se encienden de forma secuencial mientras la función de retardo del apagado está en funcionamiento.
- La unidad funcionará durante 3 minutos en modo Baja y luego se apagará de forma automática.



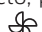
NOTA

El modo de retardo del apagado solo se puede utilizar cuando la campana está conectada a la aplicación SmartThings.

Uso de la campana de estufa

Indicación de error



- Cuando se produce un error en el producto, parpadean todos los LED del botón .
- Los errores y las acciones se pueden encontrar en la aplicación SmartThings.
- Si el problema persiste, desconecte el enchufe durante al menos 30 segundos, deje que se enfríe el producto lo suficiente y reinícielo.
 - Si no se soluciona este problema, comuníquese con un centro de servicio de Samsung Electronics.

NOTA

La función Comprobar código de error solo puede utilizarse cuando la campana está conectada a la aplicación SmartThings.

Bixby

- Bixby es el nombre de la solución de inteligencia artificial de Samsung y permite controlar el producto a través de la voz.
- Para utilizar la función de reconocimiento de voz, es necesario conectar la aplicación SmartThings y el producto en el teléfono inteligente.
- En el caso de los modelos que no reconocen directamente la entrada de voz tras conectarse a la aplicación, algunas funciones pueden aún controlarse a través de Bixby en los teléfonos inteligentes de Samsung.

Amazon Alexa y el Asistente de Google

Los electrodomésticos inteligentes de Samsung son compatibles con la habilidad SmartThings de Alexa y la acción del Asistente de Google.

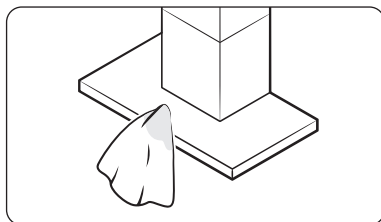
Guía de instalación

A continuación, se indica cómo vincular la cuenta de SmartThings en Amazon Alexa o en el Asistente de Google. Debe instalar la aplicación SmartThings y la aplicación Alexa (o el Asistente de Google) en su teléfono.

1. Configure los dispositivos compatibles en SmartThings
2. Luego de la configuración del dispositivo, toque '**Asistente de voz**' y vincule su cuenta de Samsung con Amazon Alexa (o el Asistente de Google).
3. Verifique que los dispositivos estén visibles en la aplicación Amazon Alexa. Luego la vinculación de la cuenta habrá terminado. (Verifique que los dispositivos estén visibles y configure la ubicación [casa y habitación] de los dispositivos en la aplicación de Google Home. Luego la vinculación de la cuenta habrá terminado.)

Limpeza y mantenimiento

Limpeza de la campana de estufa

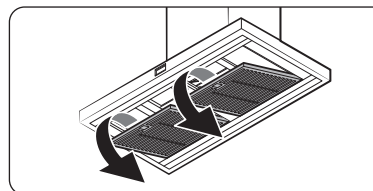


Limpe la parte frontal del producto con un paño suave sumergido en detergente líquido neutro.

⚠ PRECAUCIÓN

- No utilice materiales ásperos como esponjas.
- No utilice bicarbonato de sodio, percarbonato, ácido cítrico, abrasivos, alcohol, etc.
El revestimiento de la superficie puede dañarse o decolorarse.
- Cuando limpie, siempre utilice guantes por motivos de seguridad.
- Asegúrese de desconectar la corriente cuando limpie la campana.
- Si no se limpia de acuerdo con el manual de usuario, existe riesgo de incendio.

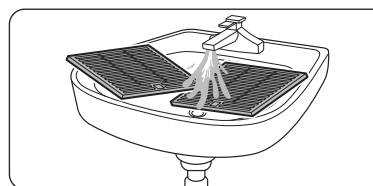
Limpeza de los filtros



1. Retire el filtro de la parte inferior de la campana.

⚠ PRECAUCIÓN

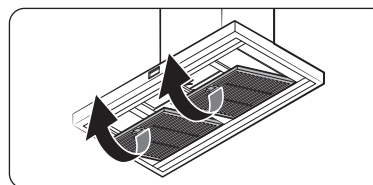
Al separar el filtro, utilice ambas manos para separarlo con cuidado y evitar que se caiga.



2. Sumerja el filtro en agua tibia con detergente neutro durante unos 10 minutos, luego enjuáguelo con agua y límpielo.

⚠ PRECAUCIÓN

No utilice un estropajo para limpiar el filtro.



3. Una vez terminada la limpieza, vuelva a montar el filtro en el orden inverso al del desmontaje.

📖 NOTA

Coloque el filtro en el lavavajillas y límpielo de forma conveniente con un ciclo de lavado estándar.

⚠ PRECAUCIÓN

- La limpieza de los filtros debe hacerse a mano con detergente neutro una vez al mes, y si se lava con el lavavajillas, debe hacerse solo durante un tiempo corto a baja temperatura.
- Es posible que los filtros se decoloren durante la limpieza, pero esto no afecta al rendimiento.
- No rocíe agua directamente sobre el filtro mientras esté montado en la campana. Existe riesgo de descarga eléctrica e incendio.
- La parte frontal del filtro es de acero inoxidable. Tenga cuidado con ella.
- Asegúrese de usar guantes porque el borde del filtro puede ser afilado y causar lesiones.

Reemplazo de la lámpara LED

Este producto cuenta con una lámpara LED específica. Si necesita reemplazarla, comuníquese con el centro de servicio.

App SmartThings

Si desea utilizar la aplicación SmartThings, conecte el producto a la red en la secuencia que se describe a continuación. Es posible que las imágenes que se muestran difieran según el modelo de teléfono inteligente, la versión del sistema operativo y el fabricante. Solo puede configurar el punto de acceso de Wi-Fi cuando conecte el producto a una red Wi-Fi. En cuanto el producto esté conectado, podrá utilizar la aplicación SmartThings a través de Wi-Fi, 3G, LTE, 5G u otras redes inalámbricas. Si el Wi-Fi se desconecta, siga las instrucciones de la aplicación SmartThings de Samsung mediante su dispositivo móvil o tableta. Puede instalar la aplicación SmartThings con facilidad o utilizar el producto con su teléfono inteligente si escanea el código QR de la etiqueta adjunta.

1 Verificación de las conexiones de alimentación

Verifique si la alimentación está conectada al producto y al punto de acceso.

2 Configuración y conexión a un punto de acceso Wi-Fi con el teléfono inteligente

1. Si desea conectar el producto a una red Wi-Fi, active el Wi-Fi en “Configuración > Wi-Fi” y, a continuación, seleccione el punto de acceso al que desea conectarse.

- Solo se admiten caracteres alfanuméricos para los nombres de los puntos de acceso inalámbricos (SSID). Si un SSID tiene un carácter especial, renómbrelo antes de conectarse.
- Este producto solo admite Wi-Fi de **2.4 GHz**.



2. Desactivación de “Cambiar a datos móviles” en “Configuración > Wi-Fi” en su teléfono inteligente

- Si la opción “Cambiar a datos móviles” o “Wi-Fi adaptativo” está activada, no podrá conectarse a la red. Asegúrese de desactivar estas funciones antes de conectarse a la red.



NOTA

Es posible que la configuración sea diferente en función del modelo de teléfono inteligente, la versión del sistema operativo y el fabricante.

3. Verificación de la conectividad a Internet

- Después de conectarse a Wi-Fi, verifique que su teléfono inteligente esté conectado a Internet.

NOTA

Es posible que un cortafuegos impida que el teléfono inteligente se conecte a Internet. Comuníquese con su proveedor de servicios de Internet para solucionar el problema.

3 Descarga de la aplicación SmartThings y registro de la cuenta de Samsung

1. Descarga de la aplicación SmartThings

- Busque “SmartThings” en Play Store o App Store y descargue la aplicación SmartThings en su teléfono inteligente.
- Si la aplicación SmartThings ya está instalada en su teléfono inteligente, actualícela a la última versión.



SmartThings (Samsung Connect)
Samsung Electronics Co., Ltd.

NOTA

- La aplicación SmartThings es compatible con Android 7.0 o versiones posteriores (con al menos 2 GB de RAM) y con iOS 12.0 o versiones posteriores. La aplicación está optimizada para iPhone 6s o modelos posteriores y los teléfonos inteligentes Samsung (series Galaxy S y Note). Las actualizaciones de la aplicación SmartThings o las funciones que esta admite pueden interrumpirse para las versiones del sistema operativo admitidas con anterioridad debido a cuestiones como la capacidad de uso y la seguridad.
- La aplicación SmartThings puede cambiar sin previo aviso para mejorar la capacidad de uso y el rendimiento del producto.

2. Registro de su cuenta Samsung

- Se requiere una cuenta Samsung para utilizar la aplicación SmartThings.

Para crear una cuenta Samsung e iniciar sesión en ella, siga las instrucciones que aparecen en la aplicación SmartThings. No es necesario instalar una aplicación adicional.

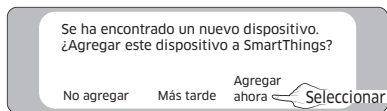
NOTA

- Si ya tiene una cuenta Samsung, inicie sesión. Si tiene un teléfono inteligente que es un dispositivo de Samsung y tiene una cuenta de Samsung, su teléfono inteligente se conecta a su cuenta de forma automática.
- Si inicia la sesión desde un teléfono inteligente fabricado para otro país, deberá iniciar la sesión con el código del país cuando cree su cuenta Samsung, y es posible que la aplicación SmartThings no pueda utilizarse en algunos teléfonos inteligentes.

4 Conexión de la aplicación SmartThings a su producto

1. Selección del producto que desea conectar.

- 1) Inicie la aplicación SmartThings aproximadamente un minuto después de activar la campana.
- 2) Una vez iniciada la aplicación SmartThings, seleccione AGREGAR AHORA cuando aparezca una ventana emergente con el mensaje de que se encontró un producto.

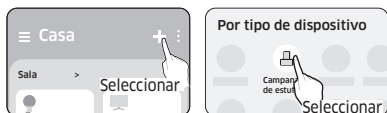


- 3) Si la ventana emergente no aparece, seleccione "+" y luego Agregar dispositivo.



Puede agregar un producto al que desee conectarse si lo selecciona de forma manual o selecciona "Escanear".

- Seleccionar de forma manual: Campana de estufa > Samsung
- Escanear: [Campana de estufa] Samsung



2. Conexión de la aplicación SmartThings a su producto

- Siga las instrucciones que aparecen en la aplicación SmartThings para conectarse a su producto.
- Para obtener información sobre cómo utilizar la aplicación SmartThings, seleccione el menú Cómo en la aplicación.

NOTA

- Si aparece alguna ventana emergente en la parte superior del teléfono inteligente mientras se conecta a su producto, no la seleccione.
- Si aparece una ventana emergente con un mensaje que diga que el dispositivo ya está registrado mientras se conecta a su producto, obtenga el permiso en "SOLICITAR PERMISO" de un usuario ya conectado al producto, o cree una nueva cuenta en "REGISTRAR MI CUENTA" para conectarse al producto de forma independiente.
- Si se produce un error de país que se relacione con la cuenta Samsung al conectarse al producto, cierre la sesión de su cuenta Samsung actual, inicie sesión en su cuenta Samsung anterior y, a continuación, elimine todos los dispositivos que se hayan conectado con anterioridad. A continuación, vuelva a iniciar sesión en su cuenta Samsung actual y configure los ajustes.
- Si aparece un mensaje de error al agregar un dispositivo, consulte "Configuración y conexión a un punto de acceso Wi-Fi con el teléfono inteligente" en la página 26. La conexión puede fallar temporalmente debido a un problema de ubicación de la instalación con el punto de acceso o a otros problemas.
- Si la palabra "AP" no desaparece de la pantalla, desconecte la alimentación y vuelva a conectarla.
- Para los protocolos de seguridad de los puntos de acceso inalámbricos/cableados, se recomienda WPA-PSK y WPA2-PSK. Para el método de autenticación, se recomienda AES. Las nuevas especificaciones de autenticación Wi-Fi no estandarizados no son compatibles.
- El producto es compatible con el protocolo de comunicación IEEE802.11 b/g/n (2,4 GHz). (Samsung recomienda IEEE802.11n).
- Si su proveedor de servicios de Internet ha registrado la dirección MAC (un número de identificación único) de su PC o módem de forma permanente, es posible que no pueda conectar el producto a Internet. Comuníquese con su proveedor de servicios de Internet y pregunte cómo puede conectar a Internet otros dispositivos que no sean su PC (como una campana de estufa).

Anuncio de código abierto

El software que incluye este producto contiene software de código abierto. Puede obtener el correspondiente código de origen completo durante un período de tres años a partir del último envío de este producto si se comunica con nuestro equipo de asistencia a través de <http://opensource.samsung.com> (utilice el menú "Consulta").

También es posible obtener el correspondiente código de origen completo en un medio físico, como un CD-ROM. Se requerirá un pago mínimo.

La URL http://opensource.samsung.com/opensource/SMART_AT_051/seq/0 lleva a la información sobre la licencia de código abierto que se relaciona con este producto. Esta oferta es válida para cualquier persona que reciba esta información.



Solución de problemas

Si sospecha que hay un error cuando utiliza el producto, verifique lo siguiente antes de solicitar ayuda al centro de servicio. Cuando solicite el servicio, se le cobrará la visita y el diagnóstico de los síntomas aunque el producto no esté averiado.

PRECAUCIÓN

Si necesita una reparación, desconecte el cable de alimentación de inmediato y comuníquese con el centro de servicio. Cuando solicite el servicio, se necesitará la siguiente información.

- Número de modelo y número de serie (se encuentra quitando el filtro, aparece en el interior del producto)
- Detalles de la garantía del producto
- Explicación del problema

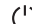
Generalidades


Problema	Causa	Acción
No funciona.	¿Se está suministrando la energía de forma normal?	Verifique si hay un corte de energía. Desenchufe y enchufe el cable de alimentación.
	¿Hay humedad en el exterior del producto?	Elimine la humedad del producto.
	¿Hay sustancias extrañas en el exterior del producto?	Limpie todos los elementos extraños.

Funcionamiento de la campana

Problema	Causa	Acción
La fuerza del viento de la campana es débil.	¿Hay muchos elementos extraños en el filtro?	Limpie el filtro con un detergente neutro en agua tibia.

Códigos de información

Código	Descripción	Acción
C121	El sensor de temperatura no funciona	<p>Presione el botón de ENCENDIDO  para reiniciar el producto.</p> <p>Si el problema persiste, desconecte el enchufe durante más de 30 segundos. Deje que el producto se enfríe y reinicielo.</p> <p>Si no se soluciona, comuníquese con un centro de servicio técnico de Samsung Electronics.</p>
C154	La comunicación del PBA principal no funciona con el PBA del inversor	
C162	Solo sucede cuando Leer o escribir EEPROM no funciona.	
C163	Si necesita verificar el código de opción	
C203	La comunicación del PBA del inversor no funciona con el PBA principal	

Código	Descripción	Acción
C446	El motor BLDC o el PBA del inversor no funcionan	<p>Presione el botón de ENCENDIDO  para reiniciar el producto.</p> <p>Si el problema persiste, desconecte el enchufe durante más de 30 segundos. Deje que el producto se enfríe y reinicielo.</p> <p>Si no se soluciona, comuníquese con un centro de servicio técnico de Samsung Electronics.</p>
C447		
C455		
C478		
C486		
C489		
C493		
C496		
C499		
C654	El regulador eléctrico no funciona	Vuelva a conectar el regulador eléctrico y verifique si hay algún elemento extraño en él.

Garantía (EE. UU.)

CAMPANA DE ESTUFA SAMSUNG

GARANTÍA LIMITADA PARA EL COMPRADOR ORIGINAL CON PRUEBA DE COMPRA

Este producto de la marca SAMSUNG, suministrado y distribuido por Samsung Electronics America, Inc. (SAMSUNG) y entregado nuevo, en la caja original al comprador original, está garantizado por SAMSUNG contra defectos de fabricación en materiales y mano de obra por un período de garantía limitada de:

UN (1) AÑO PARA PIEZAS Y MANO DE OBRA

Esta garantía limitada comienza en la fecha original de compra y es válida solo en productos comprados y utilizados en los Estados Unidos que hayan sido instalados, puestos en funcionamiento y mantenidos de acuerdo con las instrucciones adjuntas o suministradas con el producto. Para recibir el servicio de garantía, el comprador debe comunicarse con SAMSUNG en la dirección o el número de teléfono que se indican a continuación para determinar el problema y los procedimientos de servicio. El servicio de garantía solo puede realizarse en un centro de servicio autorizado por SAMSUNG. Para recibir el servicio de garantía, se debe presentar el original de la factura de venta con fecha como prueba de compra a SAMSUNG o al centro de servicio autorizado de SAMSUNG.

SAMSUNG proporcionará servicio a domicilio dentro de los Estados Unidos contiguos durante el período de garantía sin cargo alguno, sujeto a la disponibilidad de los centros de servicio autorizados de SAMSUNG dentro del área geográfica del cliente. Si el servicio a domicilio no está disponible, SAMSUNG puede optar, a su criterio, por proporcionar el transporte del producto hasta y desde un centro de servicio autorizado. Si el producto se encuentra en un área en la que no esté disponible el servicio de un técnico autorizado de SAMSUNG, es posible que se le cobre un cargo por el viaje o que se le pida que lleve el producto a un centro de servicio autorizado de SAMSUNG para recibir el servicio.

Para recibir el servicio a domicilio, el producto debe estar libre de obstáculos y ser accesible para el agente de servicio.

Garantía (EE. UU.)

Durante el período de garantía que corresponda, el producto se reparará, reemplazará o se reembolsará el precio de compra, a elección exclusiva de SAMSUNG. SAMSUNG puede utilizar piezas nuevas o reacondicionadas para reparar un producto, o reemplazar el producto con uno nuevo o reacondicionado. Las piezas y los productos de reemplazo están garantizados por la parte restante de la garantía del producto original o por noventa (90) días, lo que sea mayor. Todas las piezas y productos reemplazados son propiedad de SAMSUNG y usted debe devolverlos a SAMSUNG.

Esta garantía limitada cubre los defectos de fabricación en los materiales y la mano de obra que se produzcan por el uso doméstico normal y no comercial de este producto y no cubrirá lo siguiente: los daños que se produzcan durante el envío, la entrega, la instalación y los usos para los que este producto no haya sido previsto; los daños causados por modificaciones o alteraciones no autorizadas del producto; los productos cuyos números de serie originales de fábrica hayan sido retirados, borrados, cambiados de cualquier forma o no puedan determinarse con facilidad; los daños estéticos, incluidos los arañazos, abolladuras, astilladuras y otros daños en el acabado del producto; los daños causados por el abuso, el mal uso, las plagas, los accidentes, los incendios, las inundaciones u otros desastres naturales o casos fortuitos; los daños causados por el uso de equipos, servicios públicos, servicios, piezas, suministros, accesorios, aplicaciones, instalaciones, reparaciones, cableado externo o conectores no suministrados o autorizados por SAMSUNG; los daños causados por una corriente de línea eléctrica incorrecta, voltaje, fluctuaciones y aumentos súbitos del voltaje; los daños causados por errores en el funcionamiento y mantenimiento del producto de acuerdo con las instrucciones; instrucción en el hogar sobre cómo usar el producto y el servicio para corregir la instalación que no esté de acuerdo con los códigos eléctricos o de plomería, o la corrección de la infraestructura eléctrica o la plomería del hogar (es decir, el cableado de la casa, los fusibles o las mangueras de entrada de agua). El costo de la reparación o del reemplazo en estas circunstancias excluidas será responsabilidad del cliente.

Las visitas de un servicio técnico autorizado para explicar las funciones, el mantenimiento o la instalación del producto no están cubiertas por esta garantía limitada. Comuníquese con SAMSUNG al número que se indica a continuación para obtener asistencia en cualquiera de estos temas.

EXCLUSIÓN DE GARANTÍAS IMPLÍCITAS

LAS GARANTÍAS IMPLÍCITAS, INCLUIDAS LAS GARANTÍAS IMPLÍCITAS DE COMERCIABILIDAD O IDONEIDAD PARA UN FIN DETERMINADO, ESTÁN LIMITADAS A UN AÑO O AL PERÍODO MÁS CORTO QUE PERMITA LA LEY. Algunos estados no permiten limitaciones en cuanto a la duración de una garantía implícita, por lo que las limitaciones o exclusiones anteriores pueden no aplicarse en su caso. Esta garantía le otorga derechos específicos, y también puede tener otros derechos, que varían de un estado a otro.

LIMITACIÓN DE LOS RECURSOS

SU ÚNICO Y EXCLUSIVO RECURSO ES LA REPARACIÓN DEL PRODUCTO, EL REEMPLAZO DEL MISMO O EL REEMBOLSO DEL PRECIO DE COMPRA, A ELECCIÓN DE SAMSUNG, SEGÚN LO DISPUESTO EN ESTA GARANTÍA LIMITADA. SAMSUNG NO SERÁ RESPONSABLE DE LOS DAÑOS ESPECIALES, INCIDENTALES O CONSECUENTES, INCLUIDOS, ENTRE OTROS, EL TIEMPO DE AUSENCIA DEL TRABAJO, LOS HOTELES Y/O LAS COMIDAS EN RESTAURANTES, LOS GASTOS DE REMODELACIÓN, LA PÉRDIDA DE INGRESOS O BENEFICIOS, LA IMPOSIBILIDAD DE REALIZAR AHORROS U OTROS BENEFICIOS, INDEPENDIEMENTE DE LA TEORÍA LEGAL EN LA QUE SE BASE EL RECLAMO, INCLUSO SI SAMSUNG HA SIDO ADVERTIDA DE LA POSIBILIDAD DE DICHOS DAÑOS. Algunos estados no permiten exclusiones o limitaciones en cuanto a daños incidentales o consecuentes, por lo que es posible que las limitaciones o exclusiones anteriores no se apliquen en su caso. Esta garantía le otorga derechos legales específicos, y también puede tener otros derechos, que varían de un estado a otro.

SAMSUNG no garantiza el funcionamiento ininterrumpido o sin errores del producto. NINGUNA GARANTÍA DADA POR CUALQUIER PERSONA, FIRMA O CORPORACIÓN CON RESPECTO A ESTE PRODUCTO SERÁ VINCULANTE PARA SAMSUNG.

Para obtener el servicio de garantía, comuníquese con SAMSUNG al:

1-800-SAMSUNG (726-7864) o en
www.samsung.com/us/support

Garantía (CANADÁ)

CAMPANA DE ESTUFA SAMSUNG

GARANTÍA LIMITADA PARA EL COMPRADOR ORIGINAL

Este producto de la marca SAMSUNG, suministrado y distribuido por Samsung Electronics Canada, Inc. (SAMSUNG) y entregado nuevo, en la caja original al comprador original, está garantizado por SAMSUNG contra defectos de fabricación en materiales y mano de obra por un período de garantía limitada de:

UN (1) AÑO PARA PIEZAS Y MANO DE OBRA

Esta garantía limitada comienza en la fecha original de compra, y es válida solo en productos comprados y utilizados en CANADÁ. Para recibir el servicio de garantía, el comprador debe comunicarse con SAMSUNG para determinar el problema y los procedimientos de servicio. El servicio de garantía solo puede realizarse en un centro de servicio autorizado por SAMSUNG. Se debe presentar el original de la factura de venta con fecha como prueba de compra a SAMSUNG o al centro de servicio autorizado de SAMSUNG.

SAMSUNG reparará o reemplazará este producto, a nuestro criterio y sin cargo alguno, según lo estipulado en este documento, con piezas o productos nuevos o reacondicionados si se encuentra defectuoso durante el período de garantía limitada especificado con anterioridad. Todas las piezas y productos reemplazados pasan a ser propiedad de SAMSUNG y usted debe devolverlos a SAMSUNG. Las piezas y los productos de reemplazo reciben el resto de la garantía original, o noventa (90) días, lo que sea mayor.

Se proporcionará servicio a domicilio durante el período de garantía de la mano de obra, sujeto a la disponibilidad dentro del área contigua de Canadá. El servicio a domicilio no está disponible en todas las áreas. Para recibir el servicio a domicilio, el producto debe estar libre de obstáculos y ser accesible para el agente de servicio. Si durante el servicio a domicilio no se puede completar la reparación, puede ser necesario retirar, reparar y devolver el producto.

Esta garantía limitada cubre los defectos de fabricación de los materiales y de la mano de obra que se produzcan durante el uso normal y no comercial de este producto, y no se aplicará a lo siguiente, que incluye, entre otros: daños que se produzcan en el envío; la entrega e instalación; aplicaciones y usos para los que este producto no haya sido previsto; números de serie o de producto alterados; daños estéticos o en el acabado exterior; accidentes, abuso, negligencia, incendio, agua, rayos u desastres naturales; el uso de productos, equipos, sistemas, servicios públicos, servicios, piezas, suministros, accesorios, aplicaciones, instalaciones, reparaciones, cableado externo o conectores no suministrados o autorizados por SAMSUNG que dañen este producto o den lugar a problemas de servicio; el voltaje incorrecto de la línea eléctrica, y fluctuaciones y aumentos súbitos del voltaje; ajustes realizados por el cliente e incumplimiento de las instrucciones de uso, limpieza, mantenimiento y ambiente que se cubren y prescriben en el libro de instrucciones; problemas causados por plagas y sobrecalentamiento producido por el usuario. SAMSUNG no garantiza el funcionamiento ininterrumpido o sin errores del producto.

Garantía (CANADÁ)

NO HAY MÁS GARANTÍAS EXPRESAS QUE LAS ENUMERADAS Y DESCRITAS CON ANTERIORIDAD, Y NINGUNA GARANTÍA, YA SEA EXPRESA O IMPLÍCITA, INCLUIDAS, ENTRE OTRAS, CUALQUIER GARANTÍA IMPLÍCITA DE COMERCIABILIDAD O IDONEIDAD PARA UN FIN DETERMINADO, SE APLICARÁ DESPUÉS DE LOS PERÍODOS DE GARANTÍA EXPRESA INDICADOS ANTERIORMENTE, Y NINGUNA OTRA GARANTÍA EXPRESA O GARANTÍA DADA POR CUALQUIER PERSONA, EMPRESA O CORPORACIÓN CON RESPECTO A ESTE PRODUCTO SERÁ VINCULANTE PARA SAMSUNG. SAMSUNG NO SERÁ RESPONSABLE DE LA PÉRDIDA DE INGRESOS O BENEFICIOS, DE LA IMPOSIBILIDAD DE REALIZAR AHORROS U OTROS BENEFICIOS, NI DE NINGÚN OTRO DAÑO ESPECIAL, INCIDENTAL O CONSECUENTE CAUSADO POR EL USO, EL MAL USO O LA IMPOSIBILIDAD DE UTILIZAR ESTE PRODUCTO, INDEPENDIENTEMENTE DE LA TEORÍA LEGAL EN LA QUE SE BASE EL RECLAMO, INCLUSO SI SAMSUNG HA SIDO ADVERTIDA DE LA POSIBILIDAD DE TALES DAÑOS. LA COMPENSACIÓN DE CUALQUIER TIPO CONTRA SAMSUNG TAMPOCO PODRÁ SER MAYOR QUE EL PRECIO DE COMPRA DEL PRODUCTO VENDIDO POR SAMSUNG Y CAUSANTE DEL SUPUESTO DAÑO. SIN PERJUICIO DE LO ANTERIOR, EL COMPRADOR ASUME TODO EL RIESGO Y LA RESPONSABILIDAD POR LA PÉRDIDA, EL DAÑO O LA LESIÓN DEL COMPRADOR Y DE SUS BIENES, ASÍ COMO DE OTROS Y DE SUS BIENES, QUE DERIVEN DEL USO, EL MAL USO O LA IMPOSIBILIDAD DE UTILIZAR ESTE PRODUCTO VENDIDO POR SAMSUNG Y QUE NO HAYAN SIDO CAUSADOS DIRECTAMENTE POR LA NEGLIGENCIA DE SAMSUNG. ESTA GARANTÍA LIMITADA NO SE EXTENDERÁ A NADIE MÁS QUE AL COMPRADOR ORIGINAL DE ESTE PRODUCTO, ES INTRANSFERIBLE Y ESTABLECE SU RECURSO EXCLUSIVO.

Algunas provincias o territorios pueden o no permitir limitaciones sobre la duración de una garantía implícita o la exclusión o limitación de daños incidentales o consecuentes, por lo que las limitaciones o exclusiones anteriores pueden no aplicarse en su caso. Esta garantía le otorga derechos legales específicos, y también puede tener otros derechos, que varían de un estado a otro.

Para obtener el servicio de garantía, comuníquese con SAMSUNG al:

1-800-SAMSUNG (726-7864) o en
www.samsung.com/ca/support (Inglés),
www.samsung.com/ca_fr/support (Francés)

Notas

Notas

¿TIENE PREGUNTAS O COMENTARIOS?

PAÍS	LLAME AL	O VISÍTENOS EN LÍNEA EN
EE. UU. - Electrónica de consumo	1-800-SAMSUNG (726-7864)	www.samsung.com/us/support
CANADÁ	1-800-SAMSUNG (726-7864)	www.samsung.com/ca/support (Inglés) www.samsung.com/ca_fr/support (Francés)



DG68-01416C-02

Hotte de cuisine

Manuel d'installation et d'utilisation

NK30CB600W** / NK36CB600W**



Table des matières

Consignes de sécurité importantes	3	Utilisation de l'éclairage	22
Exigences d'installation	7	Wi-Fi activé/désactivé	22
Spécifications générales	7	Fonctionnement automatique pour éviter la surchauffe de la hotte	22
Hauteur de montage	7	Entrer dans le PA(point d'accès)	23
Méthodes de ventilation	8	Délai d'arrêt	23
Liste des pièces	8	Indication d'erreur	24
Liste des sous-pièces	9	Bixby	24
Accessoires pour achats supplémentaires	9	Amazon Alexa et Google Assistant	24
Dégagements d'installation	9	Guide d'installation	24
Faire un trou dans le meuble	10	Nettoyage et entretien	25
Installation	11	Nettoyage de la hotte	25
Définir l'emplacement	11	Nettoyage des filtres	25
Raccordement du système de ventilation	12	Remplacement de la lampe LED	25
Installation de la hotte de cuisine	13	Application SmartThings	26
Connecter le câble de support du filtre	16	Annonce d'une source ouverte	27
Installation du kit de recirculation	16	Dépannage	28
Description de la hotte de cuisine	20	Général	28
Aperçu des hottes de cuisine	20	Fonctionnement du capot	28
Panneau de boutons	20	Codes d'information	28
Utilisation de la hotte de cuisine	21	Garantie (USA)	29
Mise en marche ou arrêt de la hotte de la cuisinière	21	Garantie (CANADA)	31
Changement du mode de fonctionnement	21		
Active/Désactivé le mode Boost	21		
Air de maquillage	22		

Consignes de sécurité importantes

APPROUVÉ POUR LES APPAREILS RÉSIDENTIELS POUR UN USAGE RÉSIDENTIEL SEULEMENT

LISEZ ET CONSERVEZ CES INSTRUCTIONS

VEUILLEZ LIRE L'INTÉGRALITÉ DU GUIDE D'INSTALLATION AVANT D'EFFECTUER L'INSTALLATION.

L'INSTALLATION DOIT ÊTRE CONFORME À TOUS LES CODES LOCAUX.

IMPORTANT: Conservez ces instructions d'installation afin que la personne chargée du contrôle local puisse s'y reporter.

INSTALLATEUR: Veuillez laisser ces instructions avec cette unité pour le propriétaire.

PROPRIÉTAIRE: Veuillez conserver ces instructions pour toute référence ultérieure.

Symboles utilisés dans ce manuel

AVERTISSEMENT

Risques ou manipulations dangereuses susceptibles d'entraîner des blessures graves, voire mortelles.

ATTENTION

Risques ou manipulations dangereuses pouvant entraîner une électrocution, des blessures ou des dégâts matériels.

REMARQUE

Conseils et instructions utiles

Ces icônes et symboles d'avertissement sont là pour éviter de vous blesser ou de blesser d'autres personnes.

Veillez les suivre explicitement. Après avoir lu cette section, conservez-la dans un endroit sûr pour pouvoir la consulter ultérieurement.

AVERTISSEMENT

Coupez le circuit électrique dans le panneau de service et verrouillez le panneau avant de câbler cet appareil.

L'installation requiert un circuit de dérivation de 120 VAC, 60 Hz, et 15 ou 20 A.

Avertissement de la Proposition 65 de l'État de Californie (États-Unis uniquement)

AVERTISSEMENT

Ce produit contient des produits chimiques reconnus par l'État de Californie pour causer le cancer et des malformations congénitales ou d'autres problèmes de reproduction.

1. Avis de la FCC

ATTENTION

ATTENTION DE LA FCC : Tout changement ou modification non expressément approuvé par la partie responsable de la conformité peut annuler l'autorisation de l'utilisateur à utiliser l'équipement.

Cet appareil est conforme à la partie 15 des règlements de la FCC. Le fonctionnement est soumis aux deux conditions suivantes :

- 1) Cet appareil ne doit pas provoquer d'interférences néfastes, et
- 2) Cet appareil doit accepter toute interférence reçue, y compris les interférences entraînant un fonctionnement indésirable.

Pour les produits vendus sur les marchés américain et canadien, seuls les canaux 1 à 11 sont disponibles.

Vous ne pouvez pas sélectionner d'autres chaînes.

DÉCLARATION DE LA FCC :

Cet appareil a été testé ; il est conforme aux limitations applicables aux appareils numériques de classe B, selon le paragraphe 15 de la réglementation FCC. Ces limites sont conçues pour fournir une protection raisonnable contre les interférences nuisibles dans une installation résidentielle.

Cet équipement génère, utilise et peut émettre de l'énergie de fréquence radio et, s'il n'est pas installé et utilisé conformément aux instructions, peut causer des interférences nuisibles aux communications radio.

Cependant, il n'y a aucune garantie que des interférences ne se produiront pas dans une installation particulière. Si cet équipement provoque des interférences nuisibles à la réception de la radio ou de la télévision, ce qui peut être déterminé en éteignant et en allumant l'équipement, l'utilisateur est encouragé à essayer de corriger ces interférences par une ou plusieurs des mesures suivantes :

- Réorientation ou déplacement de l'antenne de réception
- Augmenter la séparation entre l'équipement et le récepteur
- Raccorder l'appareil à une prise de courant située sur un circuit différent de celui de la radio ou du téléviseur.
- Consultez un revendeur ou un technicien radio/TV expérimenté pour obtenir de l'aide.

Consignes de sécurité importantes

DÉCLARATION D'IC RELATIVE À L'EXPOSITION AUX RADIATIONS :

Cet appareil est conforme aux limites d'exposition aux radiations de la norme RSS-102 d'FCC, définies pour un environnement contrôlé. Cet équipement doit être installé et utilisé de manière à ce qu'il y ait au moins 20 cm (8 pouces) entre le radiateur et votre corps. Cet appareil et son (ses) antenne(s) ne doivent pas être co-localisés ou utilisés en conjonction avec une autre antenne ou un autre émetteur.

2. Avis de la IC

Le terme "IC" précédant le numéro de certification radio signifie uniquement que les spécifications techniques d'Industrie Canada ont été respectées. Le fonctionnement est soumis aux deux conditions suivantes : (1) cet appareil ne doit pas causer d'interférences, et (2) cet appareil doit accepter toute interférence, y compris les interférences qui peuvent causer un fonctionnement indésirable de l'appareil.

Cet appareil numérique de classe B est conforme à la norme canadienne ICES-003. Pour les produits vendus sur les marchés américain et canadien, seuls les canaux 1 à 11 sont disponibles. Vous ne pouvez pas sélectionner d'autres chaînes.

DÉCLARATION D'IC RELATIVE À L'EXPOSITION AUX RADIATIONS :

Cet appareil est conforme aux limites d'exposition aux radiations de la norme RSS-102 d'IC, définies pour un environnement contrôlé. Cet équipement doit être installé et utilisé de manière à ce qu'il y ait au moins 20 cm (8 pouces) entre le radiateur et votre corps. Cet appareil et son (ses) antenne(s) ne doivent pas être co-localisés ou utilisés en conjonction avec une autre antenne ou un autre émetteur.

AVERTISSEMENT

POUR RÉDUIRE LES RISQUES D'INCENDIE, D'ÉLECTROCUTION OU DE BLESSURE, RESPECTEZ LES PRÉCAUTIONS SUIVANTES :

- N'utilisez cet appareil que de la manière prévue par le fabricant. Si vous avez des questions, contactez le fabricant.
- Avant de procéder à l'entretien ou au nettoyage de l'appareil, coupez l'alimentation au niveau du panneau de service et verrouillez ce dernier pour éviter toute remise sous tension accidentelle. Si le panneau de service ne peut pas être verrouillé, fixez solidement un dispositif d'avertissement bien visible, tel qu'une étiquette, sur le panneau de service.
- Les travaux d'installation et le câblage électrique doivent être effectués par une ou plusieurs personnes qualifiées, conformément à tous les codes et normes applicables, y compris la construction résistante au feu.
- Une quantité suffisante d'air est nécessaire pour une bonne combustion et l'évacuation des gaz par le conduit de fumée (cheminée) de l'équipement de combustion afin d'éviter le refoulement. Suivez les directives du fabricant de l'équipement de chauffage et les normes de sécurité, telles que celles publiées par la National Fire Protection Association (NFPA), l'American Society for Heating, Refrigeration and Air Conditioning Engineers (ASHRAE) et les autorités locales.
- Lors de la découpe ou du perçage du mur ou du plafond, n'endommagez pas les câbles électriques ou autres équipements cachés.
- Les ventilateurs à conduit doivent toujours être évacués à l'extérieur.

ATTENTION

Pour une utilisation générale de ventilation uniquement. Ne pas utiliser pour évacuer des matières et des vapeurs dangereuses ou explosives.

ATTENTION

Afin de réduire le risque d'incendie et d'évacuer correctement l'air, assurez-vous de canaliser l'air à l'extérieur - n'évacuez pas l'air d'échappement dans des espaces enfermés dans des murs, des plafonds, des greniers, ou dans des vides sanitaires ou des garages.

▲ AVERTISSEMENT

POUR RÉDUIRE LE RISQUE D'INCENDIE, UTILISEZ UNIQUEMENT DES CONDUITS MÉTALLIQUES.

▲ AVERTISSEMENT

POUR RÉDUIRE LE RISQUE D'UN FEU DE GRAISSE SUR LA CUISINIÈRE :

- Lors d'une utilisation à puissance élevée, ne laissez jamais les éléments situés sous l'appareil sans surveillance. Les débordements provoquent des fumées et des débordements graisseux qui peuvent s'enflammer. Faites chauffer les huiles lentement à feu doux ou moyen.
- Mettez toujours la hotte en marche lorsque vous cuisinez à feu vif ou lorsque vous flambez des aliments (par exemple, Crêpes Suzette, Jubilée de cerises, Boeuf au poivre flambé).
- Nettoyez fréquemment les ventilateurs. La graisse ne doit pas s'accumuler sur le ventilateur ou le filtre.
- Utilisez des casseroles de taille appropriée. Utilisez toujours des ustensiles de cuisson adaptés à la taille de l'élément de surface.

▲ AVERTISSEMENT

AFIN DE RÉDUIRE LE RISQUE DE BLESSURES AUX PERSONNES EN CAS DE FEU DE GRAISSE SUR LE DESSUS DE LA CUISINIÈRE, OBSERVEZ LES PRÉCAUTIONS SUIVANTES:*

- ALLUMER LES FLAMMES avec un couvercle bien ajusté, une plaque à biscuits ou un plateau métallique, puis éteindre le brûleur. FAITES ATTENTION POUR ÉVITER LES BRÛLURES. Si les flammes ne s'éteignent pas immédiatement, EVACUEZ ET APPELEZ LES POMPIERS.
- Ne ramassez jamais une casserole enflammée - vous pourriez vous brûler.
- N'UTILISEZ PAS D'EAU, y compris des torchons ou des serviettes humides - une violente explosion de vapeur en résulterait.
- Utilisez un extincteur UNIQUEMENT si :
 - Vous savez que vous avez un extincteur de classe ABC et vous savez déjà comment l'utiliser.
 - Le feu est petit et contenu dans la zone où il a démarré.
 - On appelle les pompiers.
 - Vous pouvez combattre le feu en tournant le dos à une sortie.

* Basé sur "Kitchen Fire Safety Tips" publié par la NFPA.

▲ AVERTISSEMENT

Pour réduire le risque d'incendie ou de choc électrique, n'utilisez pas ce ventilateur avec un dispositif de contrôle de vitesse à semi-conducteurs.

▲ AVERTISSEMENT

Ne laissez pas les enfants s'approcher de la cuisinière. Ne laissez pas les enfants jouer avec la porte supérieure ou monter dessus. Gardez tous les matériaux d'emballage hors de portée des enfants. Mettez au rebut les matériaux d'emballage de manière appropriée après avoir déballé l'appareil.

Exigences électriques**IMPORTANT**

Conservez précieusement ce manuel en vue du passage éventuel d'un technicien en cas de réparation.

C'est la responsabilité du client :

Contactez un installateur électrique qualifié.

Pour s'assurer que l'installation électrique est adéquate et conforme au National Electrical Code, ANSI/NFPA 70 - dernière édition*, ou aux normes CSA C22.1-94, Code canadien de l'électricité, Partie 1 et C22.2 No.0-M91 - dernière édition** et à tous les codes et ordonnances locaux.

Si les codes le permettent et qu'un fil de terre séparé est utilisé, il est recommandé qu'un électricien qualifié détermine que le chemin de terre est adéquat. Une copie des normes du code ci-dessus peut être obtenue auprès de :

National Fire Protection Association

1 Batterymarch Park
Quincy, MA 02169-7471

CSA International
8501 East Pleasant Valley Road
Cleveland, OH 44131-5575

- Un circuit électrique de 120 volts, 60 Hz, c.a. seulement, 15 ampères, avec fusible est requis.
- Si la maison a un câblage en aluminium, suivez la procédure ci-dessous :
 1. Connectez une section de fil de cuivre solide aux fils du pigtail.
 2. Connectez le câblage en aluminium à la section de fil de cuivre ajoutée à l'aide de connecteurs et/ou d'outils spéciaux conçus et répertoriés UL pour joindre le cuivre à l'aluminium.

Consignes de sécurité importantes

- Suivez la procédure recommandée par le fabricant du connecteur électrique. Les connexions en aluminium/cuivre doivent être conformes aux codes locaux et aux pratiques de câblage acceptées par l'industrie.
- La taille des fils et les connexions doivent être conformes à la puissance de l'appareil, comme indiqué sur la plaque signalétique du modèle/de la série. La plaque de modèle/série est située derrière le filtre sur la paroi arrière de la hotte.
- La taille des fils doit être conforme aux exigences du Code électrique national ou du code local en vigueur pour le régime nominal en kilowatts. 1-94, Code canadien de l'électricité, Partie 1 et C22.2 No. 0-M91 (dernière édition) et tous les codes et ordonnances locaux.

CONSIGNES DE MISE À LA TERRE

Cet appareil doit être mis à la terre. En cas de court-circuit électrique, la mise à la terre réduit le risque d'électrocution en prévoyant un fil de fuite pour le courant électrique. Le four à micro-ondes est équipé d'un cordon comportant un fil de mise à la terre avec une fiche de mise à la terre. La fiche doit être branchée sur une prise secteur posée et mise à la terre conformément à la législation en vigueur.

AVERTISSEMENT

- Toute utilisation non conforme de la fiche de mise à la terre peut entraîner un risque d'électrocution.
- Consultez un électricien ou un réparateur qualifié si les consignes de mise à la terre ne sont pas entièrement comprises ou si vous avez des doutes quant à la mise à la terre correcte du four à micro-ondes.
- N'utilisez pas une rallonge. Si le cordon d'alimentation est trop court, demandez à un électricien ou à un réparateur qualifié d'installer une prise à proximité du four à micro-ondes.

Exigences en matière de ventilation (modèles avec conduit uniquement)

- Le système de ventilation doit se terminer à l'extérieur.
- Ne terminez pas le système de ventilation dans un grenier ou un autre endroit fermé.
- N'utilisez pas de capuchon mural de type blanchisserie de 10,2 cm (4 po).
- N'utilisez que des événements en métal. Les événements métalliques rigides sont recommandés. Les événements en plastique ou en feuille de métal ne sont pas recommandés.
- La longueur du système de ventilation et le nombre de coudes doivent être réduits au minimum pour assurer une performance efficace.

Pour le fonctionnement le plus efficace et le plus silencieux :

- N'utilisez pas plus de trois coudes à 90°.
- Assurez-vous qu'il y a un minimum de 24" (61 cm) de conduit droit entre les coudes si plus d'un coude est utilisé.
- Ne pas installer deux coudes ensemble.
- Utilisez des colliers pour sceller tous les joints du système de ventilation.
- Le système de ventilation doit être équipé d'un clapet.
- Utilisez un produit de calfeutrage pour sceller l'ouverture du mur extérieur ou du toit autour du capuchon.
- La taille de l'évent doit être uniforme.

Méthodes de ventilation

Pour utiliser la sortie supérieure de la hotte pour ventiler votre hotte, un système de ventilation rond de 15,2 cm (6 po) est nécessaire. Pour utiliser la sortie arrière de la hotte, un système d'évent rectangulaire de 31/4" x 10" (8,25 x 25,4 cm) est nécessaire. Aucun de ces systèmes de ventilation n'est inclus et doit être acheté séparément.

REMARQUE

Les événements flexibles ne sont pas recommandés. Les événements flexibles créent une contre-pression et des turbulences d'air qui réduisent considérablement les performances. Le système de ventilation peut se terminer soit par le toit, soit par un mur. Pour ventiler à travers un mur, un coude de 90° est nécessaire.

Hauteur de montage

Choisissez une hauteur de montage entre un minimum de 61 cm (24 po) pour une surface de cuisson électrique, un minimum de 68,6 cm (27 po) pour une surface de cuisson au gaz, et un maximum suggéré de 91,4 cm (36 po) au-dessus de la cuisinière jusqu'au bas de la hotte.

Décharge arrière

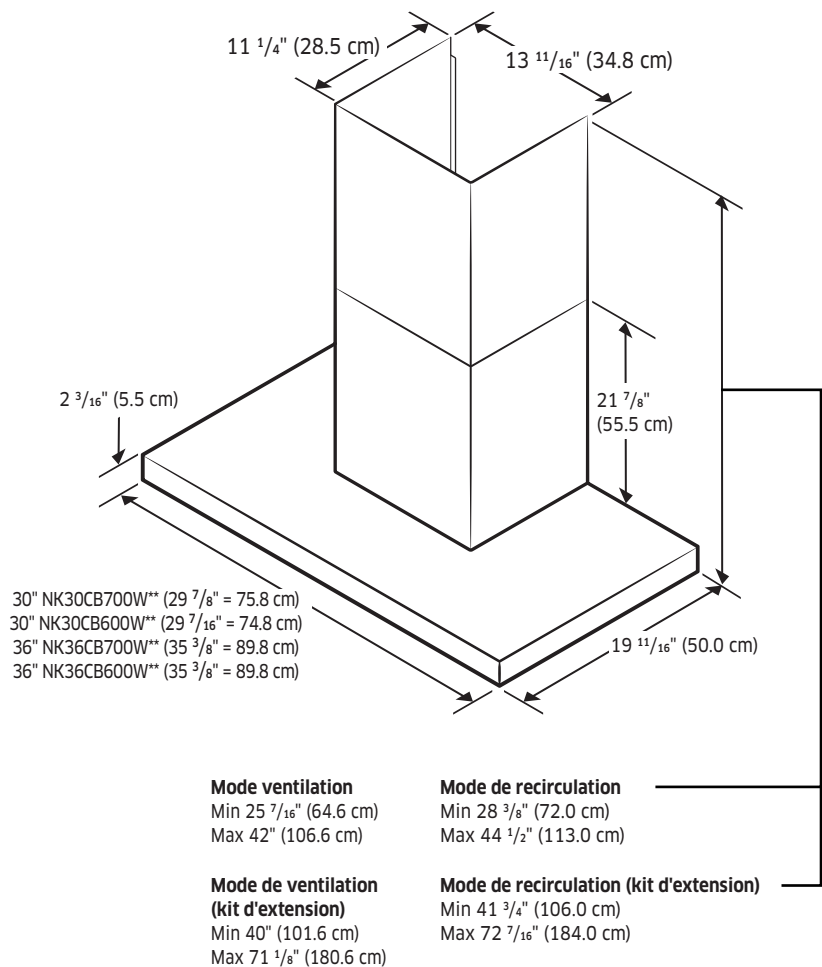
Un coude à 90° peut être installé immédiatement au-dessus de la hotte.

Pour les installations non ventilées (recirculation)

S'il n'est pas possible d'évacuer les fumées et les vapeurs de cuisson vers l'extérieur, la hotte peut être utilisée en version non ventilée (recirculation), en installant un filtre à charbon et une grille en plastique. Les fumées et les vapeurs sont recyclées par la grille de recirculation.

Exigences d'installation

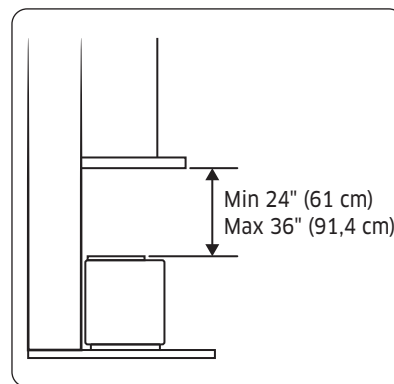
Spécifications générales



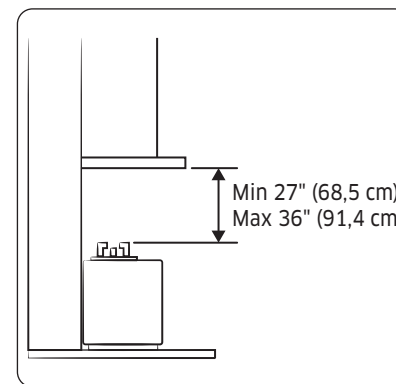
Hauteur de montage

⚠ ATTENTION

- Veuillez à vérifier la hauteur de montage avant d'installer le produit.
- La hauteur de montage est mesurée depuis le haut de la cuisinière jusqu'aux armoires supérieures. La hauteur de montage d'une surface de cuisson électrique est mesurée à partir de sa table de cuisson en verre, comme le montre l'image de gauche. Pour une surface de cuisson au gaz, la hauteur de montage est mesurée à partir du haut des grilles de combustion, comme indiqué sur l'image de droite.



CUISINIÈRES ÉLECTRIQUES



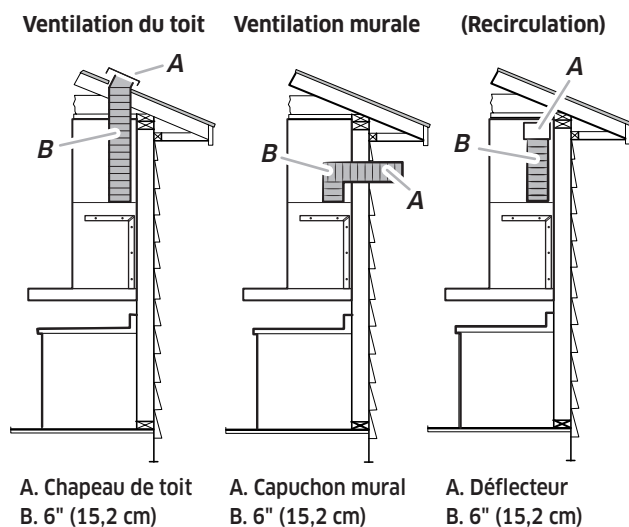
RANGS DE GAZ

Exigences d'installation

Exigences d'installation

Méthodes de ventilation

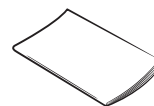
La fumée est évacuée à l'extérieur par un tuyau spécial relié à la hotte.



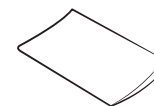
⚠ ATTENTION

- Le diamètre minimum de la sortie d'échappement raccordable est de 6 po (15,2 cm).
- Assurez-vous que le diamètre de la sortie d'évacuation et celui du conduit correspondent, puis raccordez le conduit à la sortie murale.
- Si le conduit et la sortie murale ont des diamètres différents, la performance d'aspiration diminuera tout en augmentant considérablement le bruit. Le fabricant n'est pas responsable des problèmes causés par cette situation.
- Utilisez la longueur minimale possible pour la gaine, et ne modifiez pas de manière significative la section transversale.
- Lors du raccordement de la gaine, minimisez les flexions. (Angle de flexion maximum : 90 °)
- Dans un environnement où l'installation avec une méthode de ventilation externe est possible, assurez-vous de n'installer qu'en utilisant la méthode de ventilation externe.

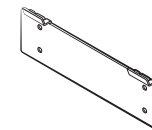
Liste des pièces



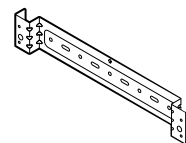
Manuel d'utilisation
et d'installation (2)



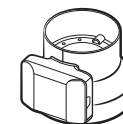
Modèle pour
l'installation (1)



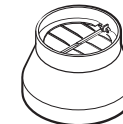
Support de montage
du capot (1)



Support de montage
du couvercle du
conduit (1)



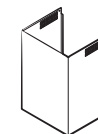
Clapet électrique (1)
NK3*CB700W**
seulement



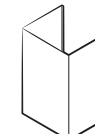
Clapet (1)
NK3*CB600W**
seulement



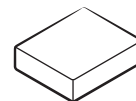
Adaptateur de clapet (1)



Couvercle supérieur du
conduit (1)



Couvercle inférieur
du conduit (1)



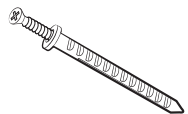
aimant de 5 mm (2)



Câble de support du
filtre * (2)

* Pour réduire le risque de chute du filtre, assemblez le câble de support du filtre sur le filtre.

Liste des sous-pièces



6 × 130 mm
Vis d'ancrage (2)



6 × 30 mm
Vis d'ancrage (5)



4 × 10 mm
Vis de fixation du capot (10)



rondelle de 22 mm (4)

REMARQUE

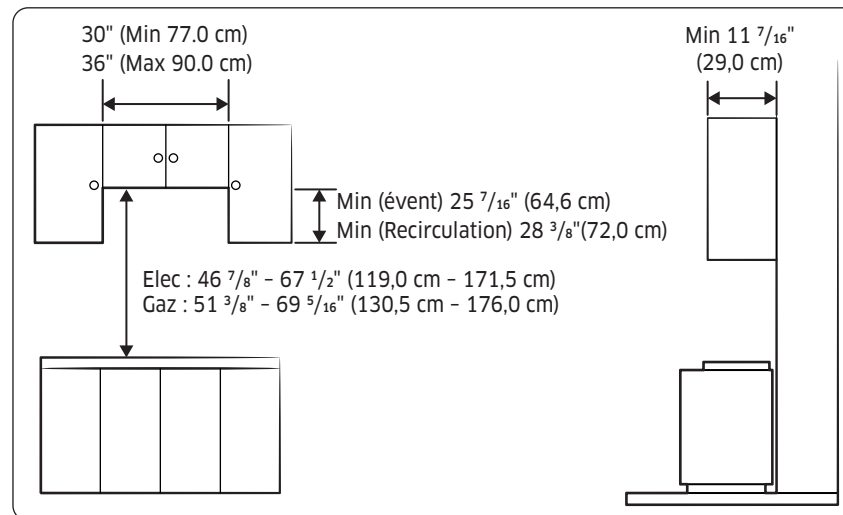
Installez le produit en utilisant les accessoires et les matériaux fournis de manière appropriée et conformément à l'environnement et aux conditions d'installation.

Accessoires pour achats supplémentaires

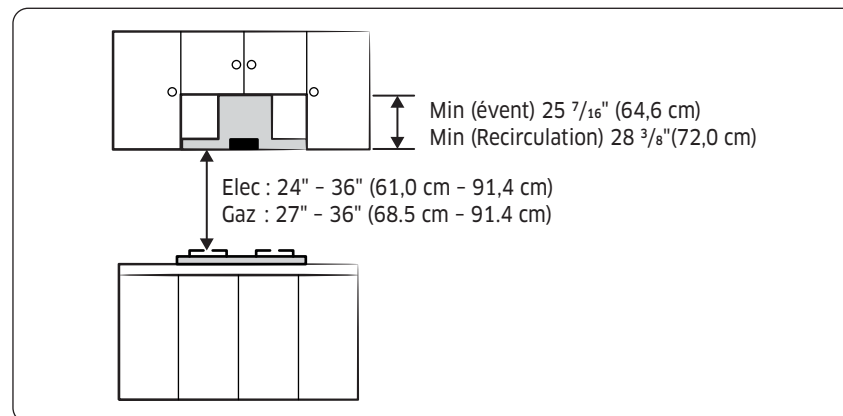
Modèle	NK30CB600W*, NK36CB600W*
Kit de recirculation	NK-AR7000WB/AA
Filtres à charbon	NK-AF7000WB/AA
Kit d'extension de capot	NK-AE6000W*

Dégagements d'installation

Dimension supérieure des meubles



Hauteur d'installation du capot requise

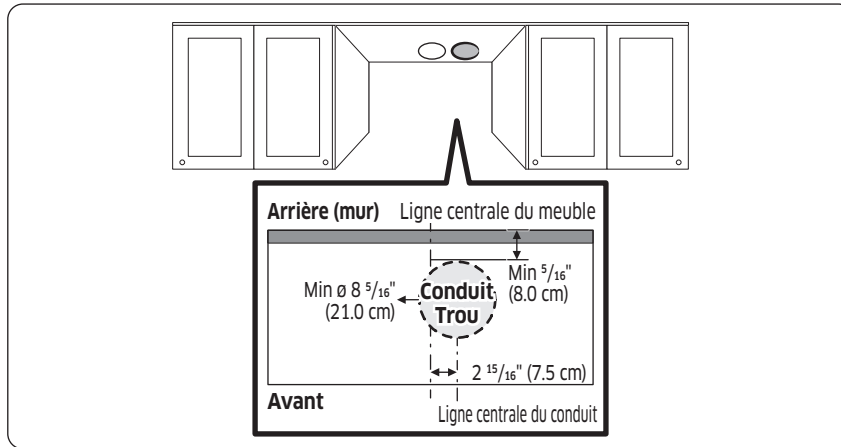


Exigences d'installation

Faire un trou dans le meuble

Guide du trou de canalisation_Op.1

Travaux de perçage du plancher de l'armoire : travaux de découpe de la sortie d'échappement de la hotte (volet)



⚠ ATTENTION

- Coupez le meuble de manière à ne pas gêner la sortie du clapet.
- Après avoir assemblé le couvercle du conduit, assurez-vous que la surface coupée de l'armoire n'est pas exposée. (La taille du trou doit être inférieure à celle du couvercle du conduit)
- Aspirez la sciure pour éviter qu'elle ne s'envole.
- Assurez-vous que les armoires ne sont pas endommagées.
- Avant de couper l'armoire, expliquez au client que l'armoire doit être coupée, puis obtenez son consentement avant de procéder.

Méthode et séquence de découpe des armoires supérieures

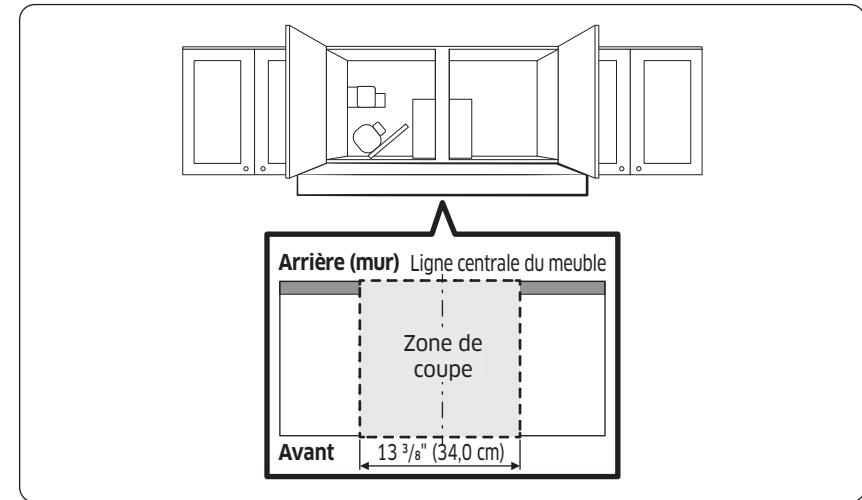
1. Reportez-vous aux dimensions de découpe ci-dessus et marquez les lignes à découper sur l'armoire.
2. Utilisez une scie sauteuse pour couper les armoires supérieures. Lors de la découpe, utilisez un aspirateur pour minimiser la quantité de poussière.

Outil d'installation

Scie sauteuse

Guide du trou de canalisation_Op.2

Travaux de perçage du plancher de l'armoire : travaux de découpe de la sortie d'échappement de la hotte (volet)



⚠ ATTENTION

- Coupez le meuble de manière à ne pas gêner la sortie du clapet.
- Aspirez la sciure pour éviter qu'elle ne s'envole.
- Assurez-vous que les armoires ne sont pas endommagées.
- Avant de couper l'armoire, expliquez au client que l'armoire doit être coupée, puis obtenez son consentement avant de procéder.

Méthode et séquence de découpe des armoires supérieures

1. Reportez-vous aux dimensions de découpe ci-dessus et marquez les lignes à découper sur l'armoire.
2. Utilisez une scie sauteuse pour couper les armoires supérieures. Lors de la découpe, utilisez un aspirateur pour minimiser la quantité de poussière.

Outil d'installation

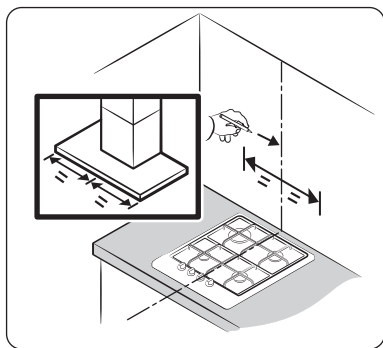
Scie sauteuse, meuleuse

Installation

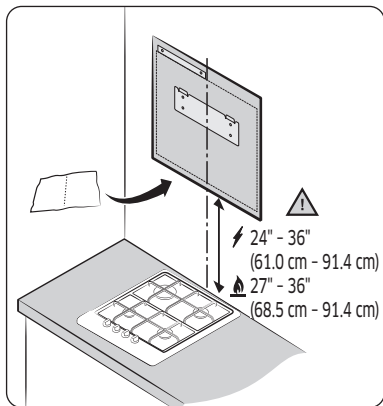
⚠ ATTENTION

- Ce produit doit être installé par un installateur de hotte professionnel.
- Si le produit est installé sur un mur carrelé ou sur une cloison sèche, il y a un risque de chute de la hotte, veuillez donc à fixer les vis de fixation au béton derrière le mur.
- Ne fixez pas le produit comme s'il s'agissait d'un carreau et ne le fixez pas avec du ciment, du silicone ou de la colle. Installez-le sur un mur en béton à l'aide des vis fournies.

Définir l'emplacement



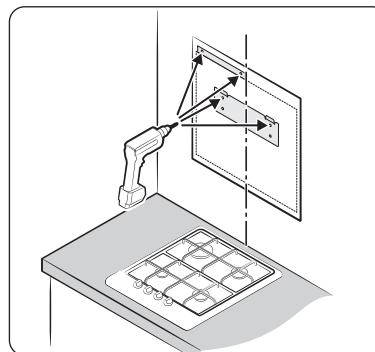
1. Vérifiez que le produit que vous avez acheté est adapté à l'espace d'installation que vous avez choisi.



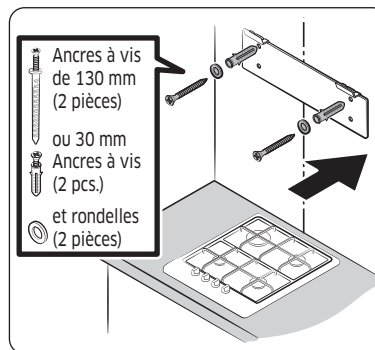
2. Fixez le gabarit d'installation ci-joint, puis installez-le de manière à ce qu'il ne se torde pas horizontalement.

⚠ ATTENTION

Veuillez faire attention à la hauteur de montage. La hauteur de montage est mesurée depuis le haut de la cuisinière jusqu'aux armoires supérieures. La hauteur de montage d'une surface de cuisson électrique est mesurée à partir de sa table de cuisson en verre. Pour une surface de cuisson au gaz, la hauteur de montage est mesurée à partir du haut des grilles de combustion.



3. Vérifiez la position de fixation du support de montage du capot.



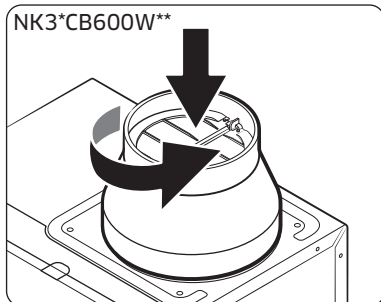
4. Fixez le support de montage de la hotte horizontalement sur le mur où la hotte doit être installée à l'aide de chevilles, de vis du support de montage de la hotte et de rondelles. Veuillez à l'installer sur le mur à l'aide des deux vis d'ancrage de 30 mm.

📖 REMARQUE

Pour un maintien sûr, utilisez une vis d'ancrage de 130 mm.

Installation

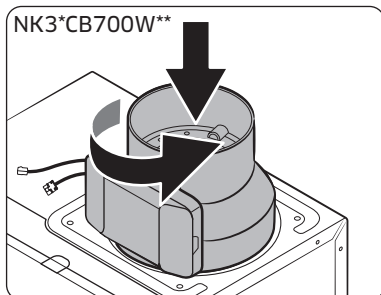
Raccordement du système de ventilation



5. Montez le clapet ou le clapet électrique pour empêcher le reflux en le raccordant à la sortie de la hotte.

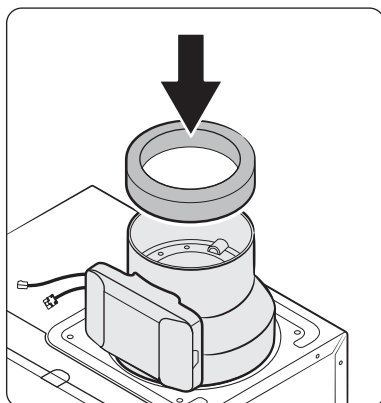
REMARQUE

- Le clapet est fourni dans le NK3*CB600W**.
- Le clapet électrique est fourni dans le NK3*CB700W**.



ATTENTION

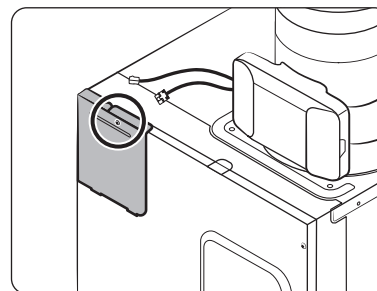
Vérifiez que le clapet électrique est correctement placé sur le filetage et qu'il n'y a pas d'inclinaison. Si le clapet électrique n'est pas affleurant, l'air s'échappera par l'interstice.



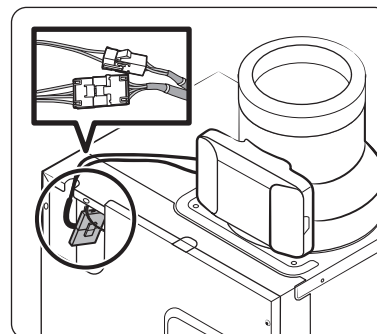
6. Assemblez l'adaptateur de clapet, en le poussant dans un clapet ou un clapet électrique. Fixez-le avec du ruban adhésif.

REMARQUE

- Si la hotte est NK3*CB600W**, veuillez suivre les instructions du numéro 10.
- Si la hotte est NK3*CB700W**, veuillez suivre les instructions du numéro 7.



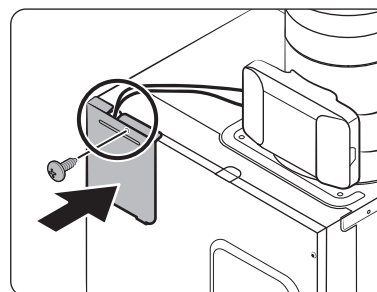
7. Retirez le couvercle en desserrant la vis sur le couvercle du PCB.



8. Connectez le connecteur du fil du clapet électrique et le connecteur du PCB.

REMARQUE

Insérez le fil dans le trou situé dans le coin supérieur gauche.

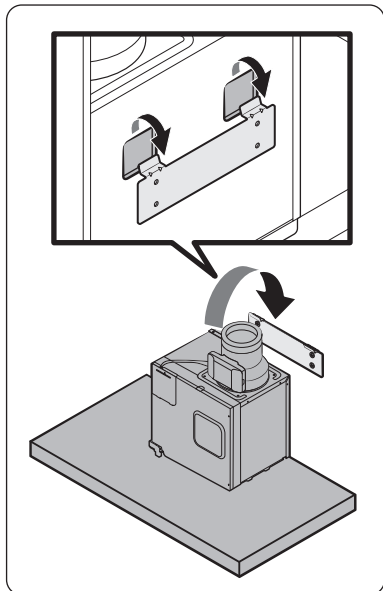


9. Assemblez le couvercle du PCB à l'aide d'une vis.

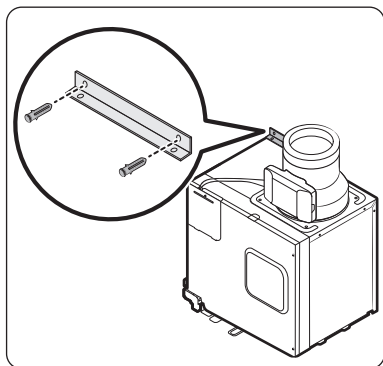
REMARQUE

Placez le connecteur connecté dans le trou du couvercle comme indiqué sur l'image.

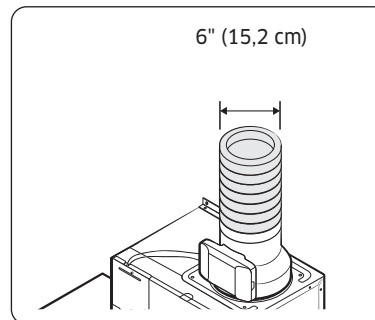
Installation de la hotte de cuisine



10. Fixez la hotte au support de fixation de la hotte installé sur le mur.



11. Fixez le support auxiliaire de gaine à l'aide de deux vis de 30 mm en haut à gauche de la gaine.

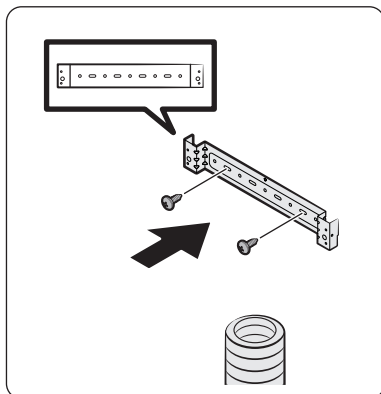


12. Fixez le conduit (15,2 cm (6")) à la sortie de la hotte et à l'évent sur le mur, respectivement, avec du ruban adhésif.

⚠ ATTENTION

- Assurez-vous que le diamètre de la sortie d'évacuation et celui du conduit correspondent, puis raccordez le conduit à la sortie murale.
- Si le conduit et la sortie murale ont des diamètres différents, la performance d'aspiration diminuera tout en augmentant significativement le bruit. Le fabricant n'est pas responsable des problèmes causés par cette situation.
- Utilisez la longueur minimale possible pour la gaine, et ne modifiez pas de manière significative la section transversale.
- Réduire au minimum la flexion lors du raccordement de la gaine (angle de flexion maximum : 90 degrees).

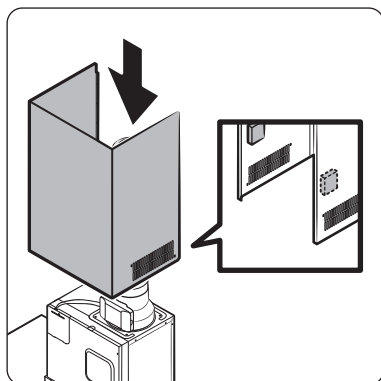
Installation



13. Fixez le support de montage du couvercle du conduit au plafond ou au mur arrière à l'aide des vis de fixation du couvercle de 10 mm.

⚠ ATTENTION

- Installez le conduit supérieur à proximité du plafond et des armoires supérieures.
- Veillez à ce que le conduit supérieur n'entre pas en contact avec la porte de l'armoire supérieure.



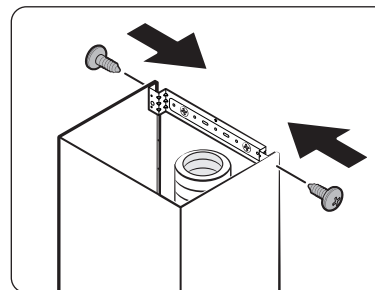
14. Fixez chaque aimant sur la surface intérieure du couvercle du conduit supérieur en recouvrant le couvercle du conduit inférieur, et assemblez le couvercle du conduit supérieur de manière à ce qu'il s'adapte au support de montage.

⚠ AVERTISSEMENT

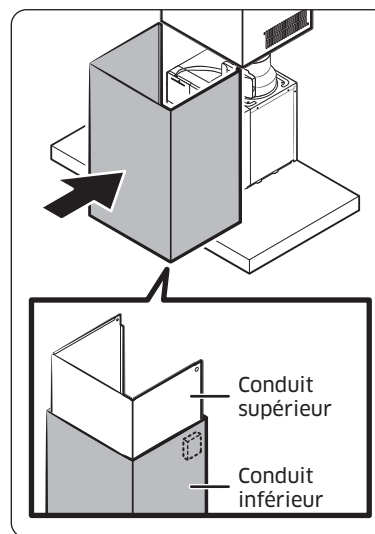
L'installation avec des vis ou des supports autres que ceux spécifiés dans les instructions de ce manuel peut entraîner des risques électriques.

📄 REMARQUE

Les aimants sont inclus dans la boîte d'accessoires.



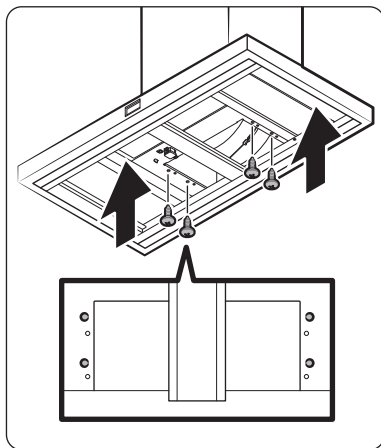
15. Assemblez avec des vis de fixation de capot de 10 mm des deux côtés.



16. Assemblez le couvercle du conduit inférieur à la hotte. Des aimants situés sur le couvercle supérieur du conduit maintiennent le couvercle inférieur du conduit en place.

📄 REMARQUE

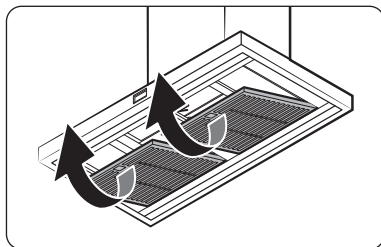
L'aimant doit être fixé à la ligne supérieure de la gaine inférieure.



17. Retirez le filtre situé au bas de la hotte.
Assemblez le couvercle du conduit inférieur en plaçant une vis de fixation de capot de 10 mm dans le trou du couvercle du conduit inférieur.

⚠ ATTENTION

Lorsque vous retirez le filtre, utilisez vos deux mains pour éviter de le faire tomber.



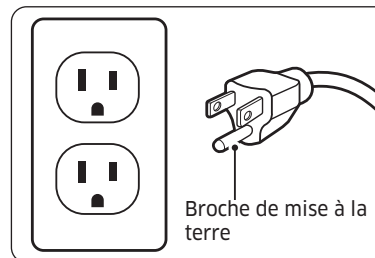
18. Lorsque l'assemblage du couvercle du conduit inférieur est terminé, remontez le filtre dans l'ordre inverse du démontage.

📄 REMARQUE

Pour installer le kit d'extension, suivez la même procédure.

⚠ AVERTISSEMENT

Veillez à utiliser une prise avec une borne de mise à la terre pour plus de sécurité. Cela permet d'éviter les risques d'électrocution, d'incendie ou de dysfonctionnement. Si la prise ne dispose pas d'une borne de mise à la terre, achetez un fil de mise à la terre séparé et connectez-le à la ligne de mise à la terre.



⚠ ATTENTION

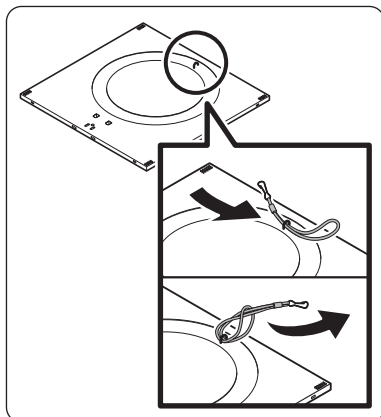
Ne pas mettre à la terre sur des conduites de gaz, des conduites d'eau, des lignes téléphoniques, etc.

📄 REMARQUE

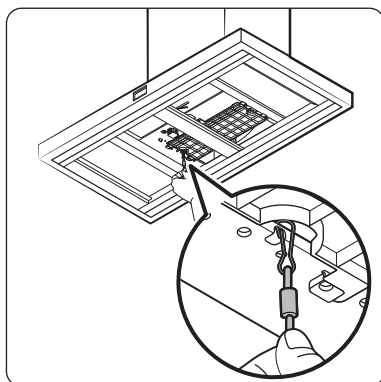
Veillez à installer un disjoncteur de court-circuit là où il y a un risque de court-circuit.

Installation

Connecter le câble de support du filtre



1. Retirez le filtre situé au bas de la hotte. Faites passer le câble de support du filtre dans la boucle de fil fixée sur le dessus du filtre. Faites le nœud en faisant passer le crochet du câble de support du filtre par l'autre extrémité du câble de support du filtre.

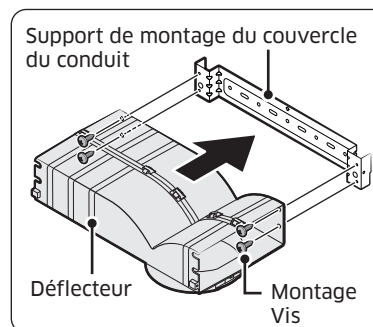


2. Accrochez le crochet du câble de support du filtre à l'ancrage situé au bas de la hotte. Assemblez le filtre.

Installation du kit de recirculation

REMARQUE

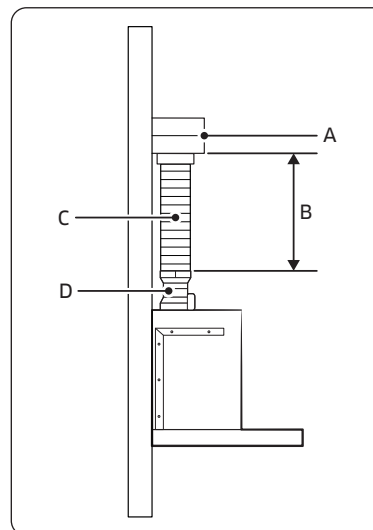
Même processus jusqu'au n° 14



1. Assemblez le déflecteur d'air avec le support de montage du couvercle du conduit à l'aide des quatre vis d'assemblage fournies avec le kit de recirculation.

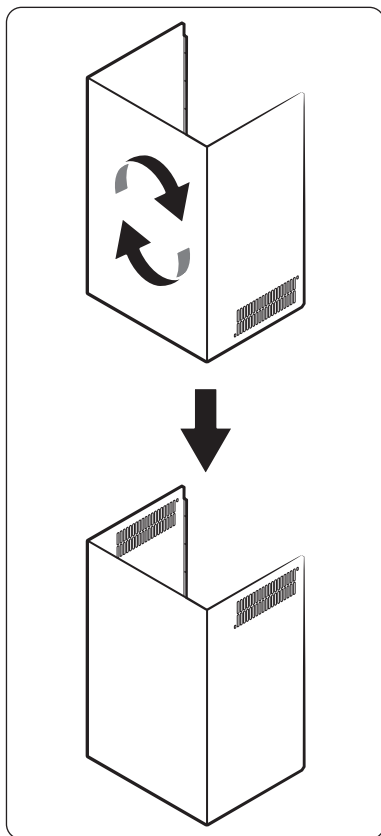
REMARQUE

- L'utilisation d'une hotte à recirculation dans un espace clos peut nuire aux performances de ventilation.
- Veuillez ventiler la pièce en ouvrant les fenêtres pendant l'utilisation de l'appareil.

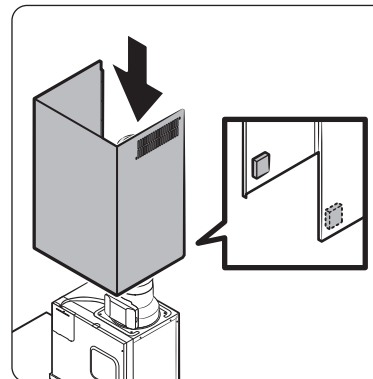


2. Mesurez depuis le bas du déflecteur jusqu'au bas de la sortie de la hotte.
3. Coupez la gaine à la taille mesurée "X".
4. Retirez le déflecteur.
5. Faites glisser la gaine sur le bas du déflecteur.
6. Placez le déflecteur et le conduit assemblés sur la sortie d'échappement de la hotte.
7. Remontez le déflecteur d'air sur le support de montage du couvercle du conduit à l'aide des quatre vis de montage.
8. Scellez les connexions avec du ruban adhésif.

A	Déflecteur
B	X = longueur à couper conduit
C	Conduit
D	Sortie d'échappement



9. Faites tourner le conduit supérieur comme sur l'image.



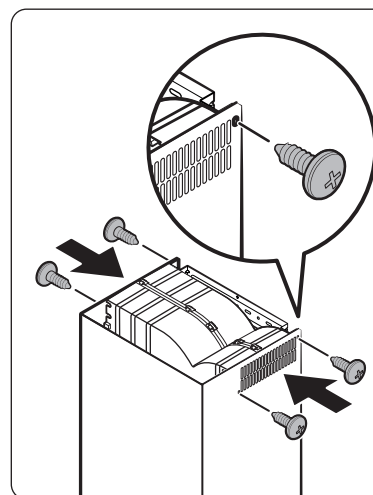
10. Fixez chaque aimant sur la surface intérieure du couvercle du conduit supérieur en recouvrant le couvercle du conduit inférieur, et assemblez le couvercle du conduit supérieur de manière à ce qu'il s'adapte au support de montage.

⚠ AVERTISSEMENT

L'installation avec des vis ou des supports autres que ceux spécifiés dans les instructions de ce manuel peut entraîner des risques électriques.

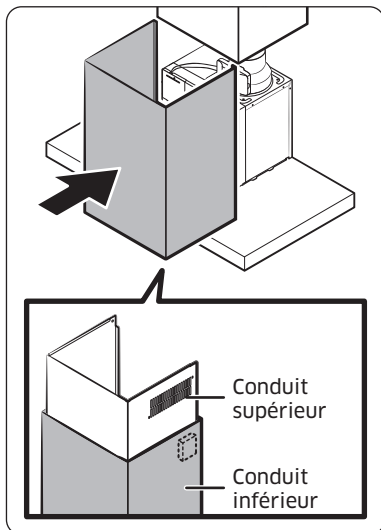
📖 REMARQUE

Les aimants sont inclus dans la boîte d'accessoires.



11. Assemblez avec des vis de fixation de capot de 10 mm des deux côtés.

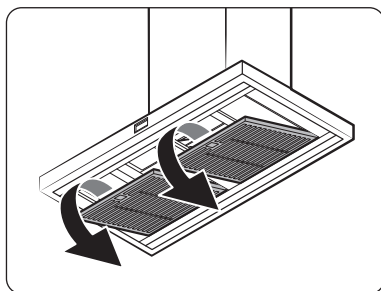
Installation



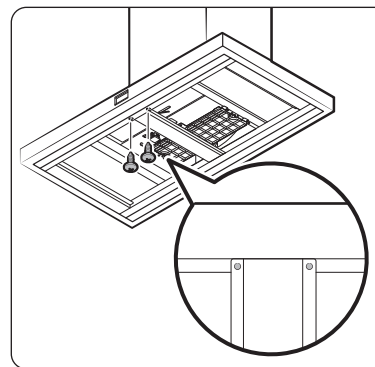
12. Assemblez le couvercle du conduit inférieur à la hotte. Des aimants situés sur le couvercle supérieur du conduit maintiennent le couvercle inférieur du conduit en place.

REMARQUE

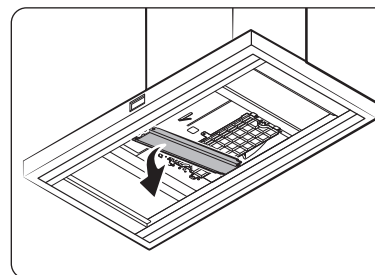
L'aimant doit être fixé à la ligne supérieure de la gaine inférieure.



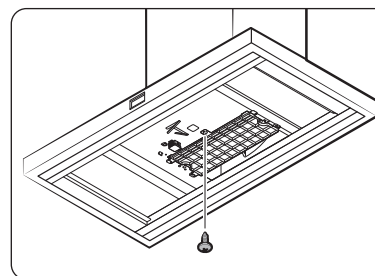
13. Retirez le filtre à graisse métallique de la hotte.



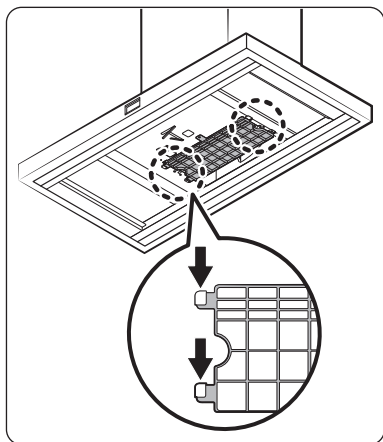
14. Retirez les 2 vis de la plaque de fixation.



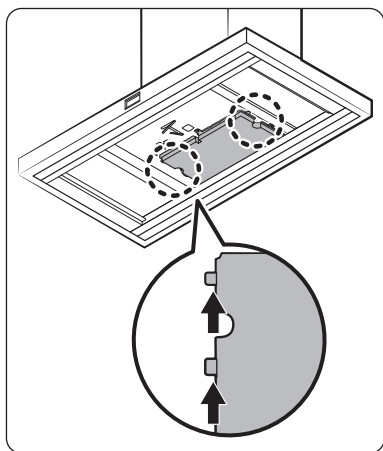
15. Retirez la partie centrale du cadre de la hotte.



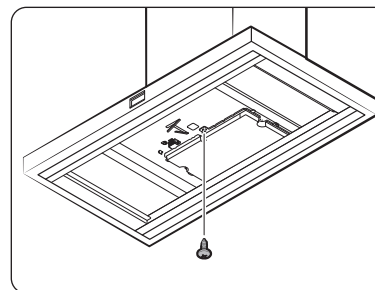
16. Retirez une vis de la hotte.



17. Retirez la protection en poussant le crochet de la protection dans le sens de la flèche.

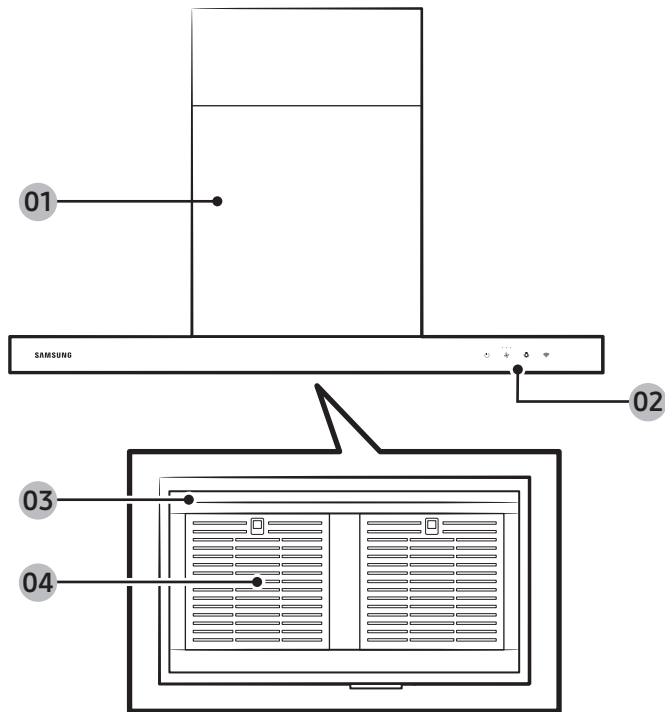


18. Insérez le crochet du filtre à charbon en le poussant dans le sens de la flèche.



19. Assemblez le filtre à charbon avec la vis d'assemblage fournie avec le kit de recirculation. Remontez le milieu du cadre et le filtre dans l'ordre inverse du démontage.

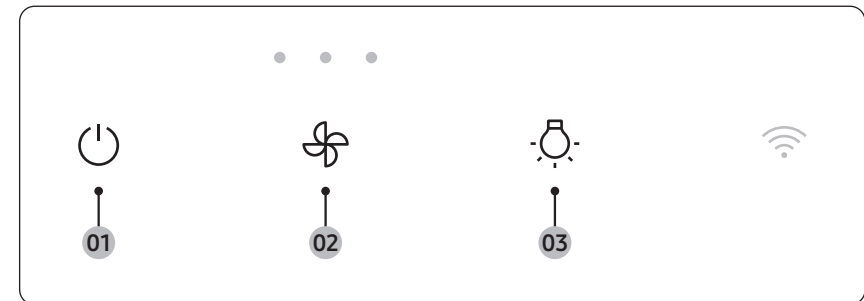
Description de la hotte de cuisine



- 01 Conduit 02 Panneau de boutons 03 Lampe
04 Filtre

Aperçu des hottes de cuisine

Panneau de boutons



01 Bouton d'alimentation

- Presse courte : Permet d'allumer ou d'éteindre l'appareil.

02 Bouton de mode

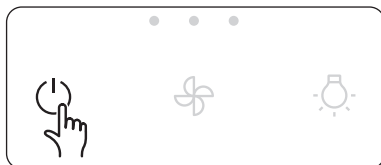
- Presse courte : Change le mode de fonctionnement. (Faible → Moyenne → Élevée → (Boost))
- Pression de 5 secondes : Désactivé/active le Wi-Fi
 - Le mode d'arrêt différé peut être activé sur l'application SmartThings.
 - La durée d'utilisation du filtre peut être vérifiée sur l'application SmartThings.
 - La hotte de cuisine peut être actionnée moyennant des automatisations avec des produits Samsung enregistrés sur l'application SmartThings.
- pression de 10 secondes : Active/Désactivé le mode Boost.

03 Le bouton de lumière

- Presse courte : Change le mode d'éclairage (Élevée → Faible → Désactivé)
- Pression de 5 secondes : Active/Désactivé le PA

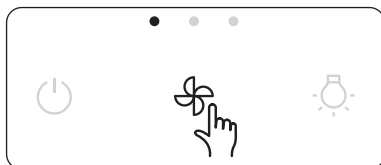
Utilisation de la hotte de cuisine

Mise en marche ou arrêt de la hotte de la cuisinière




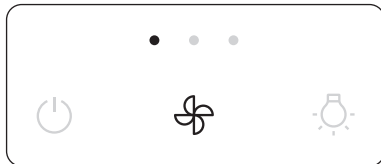
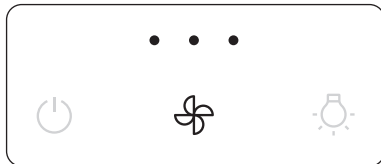
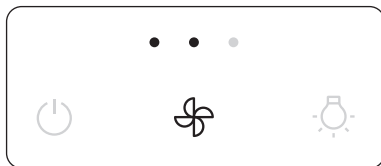
L'appareil s'allume avec un carillon sonore et commence à fonctionner en mode faible.

Changement du mode de fonctionnement

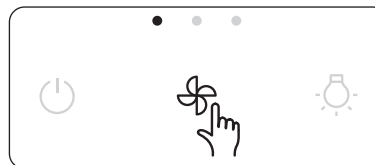


Changez le mode de fonctionnement de l'appareil au besoin.



- Appuyez sur le bouton  pour sélectionner le mode de fonctionnement à utiliser.
 - Chaque fois que vous appuyez sur le bouton, le mode change dans l'ordre suivant : Faible → Moyenne → Élevée → (Boost)

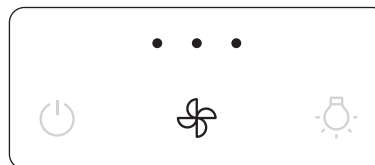
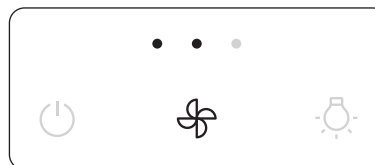
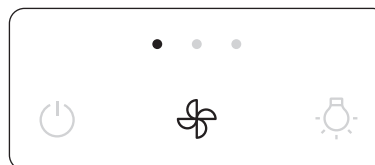


Active/Désactivé le mode Boost



Le mode Boost est une fonction qui permet un échappement puissant pendant une courte période.

1. Appuyez sur le bouton  et maintenez-le enfoncé pendant 10 secondes.
2. Le mode Boost a été ajouté. Le mode Boost (Max 630 CFM) est disponible.
3. Les voyants du bouton  s'allument séquentiellement lorsque le mode Boost est activé.



Utilisation de la hotte de cuisine

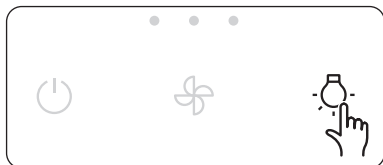
Air de maquillage

- Lorsque vous utilisez des systèmes de ventilation dont le mouvement d'air est supérieur au CFM spécifié, consultez les codes de construction locaux car ils peuvent exiger des systèmes d'air d'appoint. Consultez un professionnel du CVC pour connaître les exigences spécifiques à votre région, car les exigences en matière de CFM peuvent varier d'un endroit à l'autre.
- Consultez un professionnel du chauffage, de la ventilation et de la climatisation (CVC) pour choisir la hotte de cuisine dont la capacité en CFM est la plus appropriée à votre application. La capacité en CFM dépend de la puissance en BTU de la cuisinière ou de la table de cuisson, de sa taille et de son emplacement, de la taille de la cuisine et du conduit de la hotte dans la cuisine.


ATTENTION

N'activez pas cette fonction sans la présence d'une personne qualifiée. Nous recommandons qu'un technicien qualifié installe la hotte. Il est de la responsabilité de l'installateur de s'assurer que la hotte est conforme aux dégagements d'installation spécifiés pour le produit. Pour activer le mode Boost de cette fonction, le système d'air d'appoint est nécessaire.

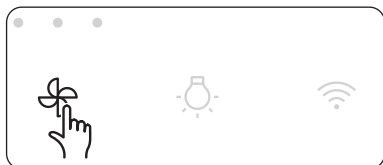
Utilisation de l'éclairage





Adjusting the lighting level of the product.

- Appuyez brièvement sur la touche  pour sélectionner le niveau d'éclairage souhaité.
 - Il se répète dans l'ordre suivant : Élevée → Faible → Désactivé.

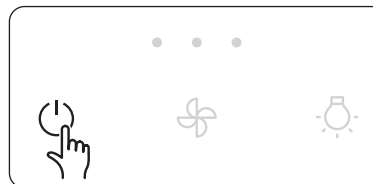
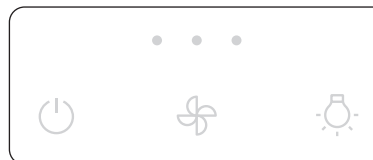
Wi-Fi activé/désactivé




Cette fonction permet d'activer ou de désactiver le Wi-Fi du produit.

- Appuyez sur le bouton  et maintenez-le enfoncé pendant 5 secondes. Appuyez à nouveau sur le bouton  et maintenez-le enfoncé pendant 5 secondes pour activer le Wi-Fi.

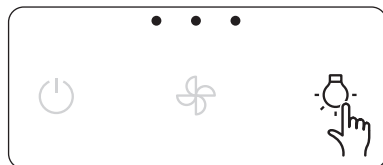
Fonctionnement automatique pour éviter la surchauffe de la hotte



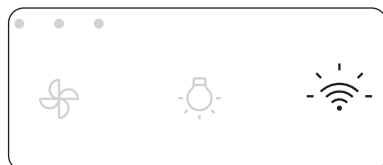
Cette fonction empêche la surchauffe lorsque la hotte est éteinte.

- Lorsque la température de la hotte augmente, le voyant central du bouton de mode clignote et la hotte fonctionne en mode Moyenne.
- Si la température de la hotte se stabilise ou si vous appuyez sur le bouton , la hotte s'éteint.

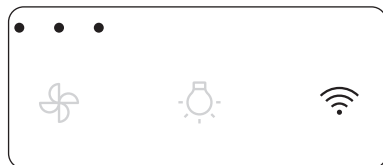
Entrer dans le PA(point d'accès)



1. Appuyez sur le bouton et maintenez-le enfoncé pendant 5 secondes comme indiqué dans l'application.

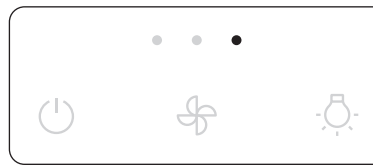
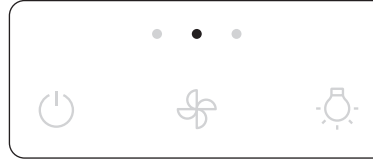
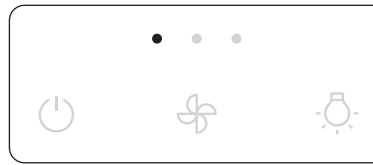
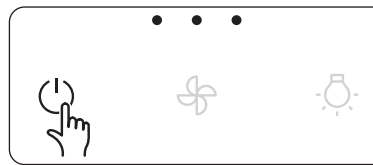


2. En mode PA, l'icône clignote. Veuillez procéder à la connexion en suivant le guide mobile.



3. Lorsque la connexion est établie, l'icône reste allumée.

Délai d'arrêt



L'arrêt différé est une fonction qui évacue les polluants restants dans la cuisine après la cuisson et fonctionne après l'arrêt de la hotte.

- Si vous définissez la fonction d'arrêt différé dans l'appli SmartThings et que vous éteignez la hotte, la fonction d'arrêt différé s'activera.
- Les voyants du bouton s'allument séquentiellement lorsque la fonction d'arrêt différé est en cours.
- L'appareil fonctionne pendant 3 minutes en mode Faible et s'éteint ensuite automatiquement.


REMARQUE

Le mode arrêt différé ne peut être défini que lorsque la hotte est connectée à l'application SmartThings.

Utilisation de la hotte de cuisine

Indication d'erreur



- En cas de dysfonctionnement du produit, tous les voyants du bouton  se mettent à clignoter.
- Les erreurs et les actions peuvent être trouvées dans l'application SmartThings.
- Si le problème persiste, débranchez la fiche d'alimentation pendant au moins 30 secondes, laissez le produit refroidir suffisamment, puis redémarrez-le.
 - Si ce problème n'est pas résolu, contactez un centre de service Samsung Electronics.

REMARQUE

La fonction de vérification du code d'erreur ne peut être utilisée que lorsque la hotte est connectée à l'application SmartThings.

Bixby

- Bixby est le nom de la solution d'intelligence artificielle de Samsung et permet de contrôler le produit par la voix.
- Pour utiliser la fonction de reconnaissance vocale, vous devez connecter l'application SmartThings et le produit sur votre smartphone.
- Pour les modèles qui ne reconnaissent pas directement la saisie vocale du produit après la connexion à l'application, certaines fonctions peuvent toujours être contrôlées par Bixby sur les smartphones Samsung.

Amazon Alexa et Google Assistant

Les appareils électroménagers intelligents de Samsung sont compatibles avec SmartThings dans Alexa et avec action dans l'Assistant Google.

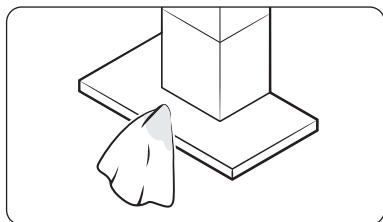
Guide d'installation

Voici la manière de connecter un compte SmartThings à Amazon Alexa ou à l'Assistant Google. Les applications SmartThings et Alexa (ou Assistant Google) doivent être installées sur votre téléphone.

1. Configurez les appareils pris en charge par SmartThings.
2. Une fois les appareils configurés, appuyez sur «**Assistant vocal**» et connectez votre compte Samsung à Amazon Alexa. (ou l'Assistant Google)
3. Vérifiez que les appareils sont visibles sur l'application Amazon Alexa. La connexion au compte est ainsi terminée. (Vérifiez que les appareils sont visibles et définissez l'emplacement (maison et pièce) des appareils dans l'application Google home. La connexion au compte est ainsi terminée).

Nettoyage et entretien

Nettoyage de la hotte

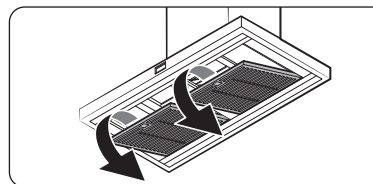


Essuyez la face avant du produit avec un chiffon doux imbibé de détergent liquide neutre.

⚠ ATTENTION

- N'utilisez pas de matériaux rugueux tels que des éponges.
- Ne pas utiliser de bicarbonate de soude, de percarbonate, d'acide citrique, d'abrasifs, d'alcool, etc
Le revêtement de surface pourrait être endommagé ou décoloré.
- Lors du nettoyage, portez toujours des gants pour votre sécurité.
- Veillez à couper le courant lorsque vous nettoyez la hotte.
- Il y a un risque d'incendie s'il n'est pas nettoyé conformément au manuel d'utilisation.

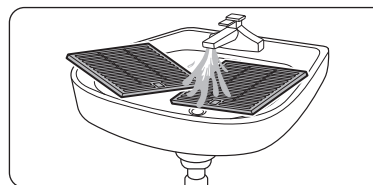
Nettoyage des filtres



1. Veuillez retirer le filtre situé au bas de la hotte.

⚠ ATTENTION

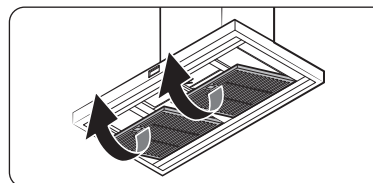
Lorsque vous séparez le filtre, utilisez les deux mains pour le séparer soigneusement afin qu'il ne tombe pas.



2. Faites tremper le filtre dans de l'eau tiède avec un détergent neutre pendant environ 10 minutes, puis rincez-le à l'eau et nettoyez-le.

⚠ ATTENTION

N'utilisez pas d'épurateur pour nettoyer le filtre.



3. Une fois le nettoyage terminé, remontez le filtre dans l'ordre inverse du démontage.

📖 REMARQUE

Mettez le filtre dans le lave-vaisselle et nettoyez-le facilement avec un cycle de lavage standard.

⚠ ATTENTION

- Les filtres doivent être nettoyés à la main avec un détergent neutre une fois par mois, et s'ils sont lavés au lave-vaisselle, ils ne doivent être lavés que pendant une courte période à basse température.
- Les filtres peuvent se décolorer pendant le nettoyage, mais cela n'affecte pas les performances.
- Ne pulvérisez pas d'eau directement sur le filtre lorsqu'il est monté sur la hotte. Il y a un risque de choc électrique et d'incendie.
- L'avant du filtre est en acier inoxydable. S'il vous plaît, faites attention avec ça.
- Veillez à porter des gants car le bord du filtre peut être tranchant et provoquer des blessures.

Remplacement de la lampe LED

Ce produit est équipé d'une lampe LED dédiée. Si vous avez besoin d'un remplacement, veuillez contacter le centre de service.

Application SmartThings

Pour utiliser l'application SmartThings, connectez le produit au réseau dans l'ordre décrit ci-dessous. Les images présentées peuvent différer selon le modèle de votre smartphone, la version du système d'exploitation et le fabricant. Vous ne pouvez configurer le point d'accès Wi-Fi que lorsque vous connectez le produit à un réseau Wi-Fi. Une fois le produit connecté, vous pouvez utiliser l'application SmartThings via le Wi-Fi, la 3G, le LTE, la 5G ou d'autres réseaux sans fil. Si le Wi-Fi se déconnecte, veuillez suivre les instructions de l'application Samsung SmartThings via votre appareil mobile ou votre tablette. Vous pouvez facilement installer l'application SmartThings ou utiliser le produit avec votre smartphone en scannant le code QR figurant sur l'étiquette jointe.

1 Vérification des connexions électriques

Vérifiez si l'alimentation est connectée au produit et au point d'accès.

2 Configuration et connexion à un point d'accès Wi-Fi à l'aide de votre smartphone

1. Pour connecter le produit à un réseau Wi-Fi, activez le Wi-Fi dans "Paramètres > Wi-Fi", puis sélectionnez le point d'accès auquel vous souhaitez vous connecter.

- Seuls les caractères alphanumériques sont pris en charge pour les noms de points d'accès sans fil (SSID). Si un SSID comporte un caractère spécial, renommez-le avant de vous y connecter.
- Ce produit ne prend en charge que le Wi-Fi **2,4 GHz**.



2. Désactiver la fonction "Passer aux données mobiles" dans "Paramètres > Wi-Fi" sur votre Smartphone

- Si l'option "Passer aux données mobiles" ou "Wi-Fi adaptatif" est activée, vous ne pouvez pas vous connecter au réseau. Veuillez à désactiver ces fonctions avant de vous connecter au réseau.



REMARQUE

La configuration peut varier en fonction du modèle de votre smartphone, de la version du système d'exploitation et du fabricant.

3. Vérification de la connectivité Internet

- Après la connexion au Wi-Fi, vérifiez que votre smartphone est connecté à Internet.

REMARQUE

Un pare-feu peut empêcher votre smartphone de se connecter à Internet. Contactez votre fournisseur de services Internet pour le dépannage.

3 Téléchargement de l'application SmartThings et enregistrement de votre compte Samsung

1. Téléchargement de l'application SmartThings

- Recherchez "SmartThings" dans le Play Store ou l'App Store, et téléchargez l'application SmartThings sur votre smartphone.
- Si l'application SmartThings est déjà installée sur votre smartphone, mettez-la à jour avec la dernière version.



SmartThings (Samsung Connect)
Samsung Electronics Co., Ltd.

REMARQUE

- L'application SmartThings prend en charge Android 7.0 ou supérieur (avec au moins 2 Go de RAM) et iOS 12.0 ou supérieur. L'application est optimisée pour l'iPhone 6s ou ultérieur et les smartphones Samsung (séries Galaxy S et Note). Les mises à jour de l'application SmartThings ou les fonctions prises en charge par celle-ci peuvent être interrompues pour les versions d'OS précédemment prises en charge en raison de problèmes tels que la convivialité et la sécurité.
- L'application SmartThings peut être modifiée sans préavis afin d'améliorer la convivialité et les performances du produit.

2. Enregistrement de votre compte Samsung

- Un compte Samsung est nécessaire pour utiliser l'application SmartThings. Pour créer un compte Samsung et vous connecter à votre compte, suivez les instructions affichées sur l'appli SmartThings.... Vous n'avez pas besoin d'installer une application supplémentaire.

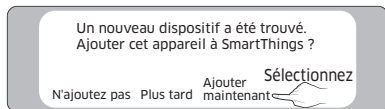
REMARQUE

- Si vous avez déjà un compte Samsung, connectez-vous à ce compte. Si vous avez un smartphone qui est un appareil Samsung et que vous avez un compte Samsung, votre smartphone est automatiquement connecté à votre compte.
- Si vous vous connectez à partir d'un smartphone produit pour un autre pays, vous devez vous connecter avec son code pays lorsque vous créez votre compte Samsung, et l'application SmartThings peut ne pas être utilisable sur certains smartphones.

4 Essayez de connecter l'application SmartThings au produit.

1. Sélection du produit que vous voulez connecter.

- 1) Lancez l'application SmartThings environ une minute après avoir allumé la hotte.
- 2) Une fois l'application SmartThings lancée, sélectionnez "ADD NOW" lorsqu'une fenêtre contextuelle indiquant qu'un produit a été trouvé apparaît.



- 3) Si la fenêtre contextuelle n'apparaît pas, sélectionnez "+", puis "Ajouter un périphérique"



Vous pouvez ajouter un produit auquel vous voulez vous connecter en le sélectionnant manuellement ou en choisissant "Scan"

- Sélectionnez manuellement : Hotte aspirante > Samsung
- Scan : [Hotte de cuisine] Samsung



2. Essayez de connecter l'application SmartThings au produit.

- Suivez les instructions affichées sur l'application SmartThings pour vous connecter à votre produit.
- Pour obtenir des informations sur l'utilisation de l'application SmartThings, sélectionnez le menu Comment faire dans l'application.

REMARQUE

- Si une fenêtre contextuelle apparaît en haut du smartphone lors de la connexion à votre produit, ne la sélectionnez pas.
- Si une fenêtre contextuelle indiquant que l'appareil est déjà enregistré apparaît lors de la connexion à votre produit, obtenez l'autorisation en utilisant "REQUEST PERMISSION" d'un utilisateur déjà connecté au produit, ou créez un nouveau compte en utilisant "REGISTER MY ACCOUNT" pour vous connecter indépendamment au produit.
- Si une erreur de pays liée au compte Samsung se produit lors de la connexion à votre produit, déconnectez-vous de votre compte Samsung actuel, connectez-vous à votre ancien compte Samsung, puis supprimez tous les appareils qui ont été précédemment connectés. Ensuite, connectez-vous à nouveau à votre compte Samsung actuel et configurez les paramètres.

- Si un message d'échec apparaît lors de l'ajout d'un périphérique, consultez la section " Configuration et connexion à un point d'accès Wi-Fi à l'aide de votre smartphone " à la page 26. La connexion peut échouer temporairement en raison d'un problème d'emplacement du point d'accès ou d'autres problèmes.
- Si le mot "PA" ne disparaît pas de l'écran, débranchez l'alimentation et rebranchez-la.
- Pour les protocoles de sécurité des points d'accès sans fil/filaires, WPA-PSK et WPA2-PSK sont recommandés. Pour la méthode d'authentification, AES est recommandé. Les nouvelles spécifications d'authentification WiFi et les méthodes d'authentification WiFi non standard ne sont pas prises en charge.
- Le produit prend en charge le protocole de communication IEEE802.11 b/g/n (2,4 GHz). (Samsung recommande IEEE802.11n.)
- Si votre fournisseur d'accès à Internet a enregistré de manière permanente l'adresse MAC (un numéro d'identification unique) de votre PC ou de votre modem, il se peut que vous ne puissiez pas connecter votre produit à Internet. Contactez votre fournisseur de services Internet et demandez-lui comment connecter des appareils autres que votre PC (comme une hotte de cuisine) à Internet.

Annnonce d'une source ouverte

Le logiciel inclus dans ce produit contient des logiciels libres. Vous pouvez obtenir le code source complet correspondant pendant une période de trois ans après la dernière livraison de ce produit en contactant notre équipe de support via <http://opensource.samsung.com> (veuillez utiliser le menu "Inquiry").

Il est également possible d'obtenir le code source complet correspondant sur un support physique, tel qu'un CD-ROM. Un paiement minimal sera exigé.

L'URL http://opensource.samsung.com/opensource/SMART_AT_051/seq/0 suivante permet d'accéder aux informations sur la licence de source libre relatives à ce produit. Cette offre est valable pour toute personne ayant reçu cette information.



Dépannage

Si vous pensez qu'il y a une défaillance pendant l'utilisation du produit, vérifiez les points suivants avant de demander l'intervention du centre de service. Lorsque vous demandez un service, vous serez facturé pour la visite et le diagnostic des symptômes, même si le produit n'est pas cassé.

ATTENTION

Si vous devez effectuer des réparations, débranchez immédiatement le cordon d'alimentation et contactez le centre de service. Les informations suivantes sont requises lors de la demande de service.

- Numéro de modèle et numéro de série (à trouver en enlevant le filtre, listé à l'intérieur du produit)
- Détails de la garantie du produit
- Explication du problème


Général


Problème	Cause	Action
Ça ne marche pas.	L'alimentation électrique se fait-elle normalement ?	Veillez vérifier s'il y a une coupure de courant.
		Veillez débrancher et brancher le cordon d'alimentation.
	Y a-t-il de l'humidité sur l'extérieur du produit ?	Veillez éliminer l'humidité du produit.
	Y a-t-il des substances étrangères sur l'extérieur du produit ?	Veillez essuyer tous les corps étrangers.

Fonctionnement du capot

Problème	Cause	Action
La force du vent du capot est faible.	Y a-t-il beaucoup de corps étrangers dans le filtre ?	Essayez le filtre avec un détergent neutre dans de l'eau tiède.

Codes d'information

Code	Description	Action
C121	Le capteur de température ne fonctionne pas	Appuyez sur le bouton POWER  pour commencer la décongélation. Si le problème persiste, débranchez la fiche d'alimentation pendant plus de 30 secondes. Laissez le produit refroidir et redémarrez-le. Si le problème n'est pas résolu, veuillez contacter un centre de service Samsung Electronics.
C154	La communication du PBA principal ne fonctionne pas avec le PBA de l'onduleur	
C162	Se produit uniquement lorsque EEPROM Read ou Write ne fonctionne pas. ne fonctionne pas.	
C163	Si vous devez vérifier le code de l'option	
C203	La communication entre le PBA de l'onduleur et le PBA principal ne fonctionne pas	

Code	Description	Action
C446	Le moteur BLDC ou le PBA du variateur ne fonctionne pas	Appuyez sur le bouton POWER  pour commencer la décongélation. Si le problème persiste, débranchez la fiche d'alimentation pendant plus de 30 secondes. Laissez le produit refroidir et redémarrez-le. Si le problème n'est pas résolu, veuillez contacter un centre de service Samsung Electronics.
C447		
C455		
C478		
C486		
C489		
C493		
C496		
C499		
C654	Le clapet électrique ne fonctionne pas	Rebranchez le clapet électrique et vérifiez si un corps étranger se trouve sur le clapet.

Garantie (USA)

HOTTE ASPIRANTE SAMSUNG

GARANTIE LIMITÉE À L'ACHETEUR D'ORIGINE AVEC PREUVE D'ACHAT

Ce produit de la marque SAMSUNG, fourni et distribué par Samsung Electronics: Canada, Inc. (SAMSUNG) et livré neuf, s'accompagne d'une garantie de SAMSUNG contre tout vice de fabrication au niveau des pièces et de la main d'oeuvre pendant une période limitée de :

Un (1) an de garantie pour les pièces et la main-d'œuvre

Cette garantie limitée prend effet à la date d'achat initiale et n'est valable que pour les produits achetés et utilisés aux États-Unis qui ont été installés, utilisés et entretenus conformément aux instructions jointes ou fournies avec le produit. Pour se prévaloir du service de garantie, l'acheteur doit contacter SAMSUNG afin d'établir les procédures relatives au diagnostic et à l'intervention nécessaire. Pour être couverte par la garantie, la maintenance ne peut être effectuée que par un service technique agréé SAMSUNG. Lors de la remise d'un produit défectueux à SAMSUNG ou à un centre de service SAMSUNG agréé, l'acquéreur est tenu de présenter le coupon d'achat d'origine à la demande des intéressés à titre de preuve d'achat.

SAMSUNG fournira gratuitement un service à domicile dans les États-Unis contigus pendant la période de garantie, sous réserve de la disponibilité de réparateurs agréés SAMSUNG dans la zone géographique du client. Si le service à domicile n'est pas disponible, SAMSUNG peut choisir, à sa discrétion, d'assurer le transport de son choix vers et depuis un centre de service agréé SAMSUNG. Si le produit se trouve dans une région où le service par un réparateur agréé SAMSUNG n'est pas disponible, il se peut que vous ayez à payer des frais de déplacement ou que vous deviez apporter le produit à un centre de service agréé SAMSUNG pour le faire réparer.

Pour bénéficier du service à domicile, l'appareil doit être facilement accessible à notre personnel.

Garantie (USA)

Pendant la période de garantie applicable, le produit sera réparé, remplacé ou le prix d'achat remboursé, à la seule discrétion de SAMSUNG. SAMSUNG peut utiliser des pièces neuves ou remises à neuf pour réparer un produit, ou remplacer le produit par un produit neuf ou remis à neuf. Les pièces et produits de rechange sont protégés pour le reste de la période de garantie initiale ou pour quatre-vingt-dix (90) jours, selon l'éventualité la plus éloignée. Toute pièce ou tout produit remplacé devient la propriété de SAMSUNG et doit lui être restitué.

Cette garantie limitée couvre les défauts de fabrication des matériaux et de la main d'œuvre rencontrés dans le cadre d'une utilisation domestique normale et non commerciale de ce produit et ne couvre pas les éléments suivants : les dommages survenus lors de l'expédition, de la livraison, de l'installation et des utilisations pour lesquelles ce produit n'a pas été conçu; les dommages causés par une modification ou une altération non autorisée du produit; les produits dont les numéros de série d'usine d'origine ont été retirés, altérés, modifiés de quelque manière que ce soit ou ne peuvent être facilement déterminés; les dommages esthétiques, y compris les rayures, les bosses, les éclats et autres dommages à la finition du produit; les dommages causés par un abus, une mauvaise utilisation, des infestations de parasites, des accidents, un incendie, des inondations ou d'autres actes de la nature ou de Dieu; les dommages causés par l'utilisation d'équipements, de services publics, de services, de pièces, de fournitures, d'accessoires, d'applications, d'installations, de réparations, de câblages externes ou de connecteurs non fournis ou autorisés par SAMSUNG; les dommages causés par un courant, une tension, des fluctuations et des surtensions incorrects sur la ligne électrique; les dommages causés par le non-respect du fonctionnement et de l'entretien du produit conformément aux instructions; les instructions domestiques sur la manière d'utiliser votre produit; et les services visant à corriger une installation non conforme aux codes de l'électricité ou de la plomberie ou la correction de l'infrastructure électrique ou de la plomberie de la maison (c'est-à-dire, câblage de la maison, fusibles ou tuyaux d'arrivée d'eau). Le coût de la réparation ou du remplacement dans ces circonstances exclues est à la charge du client.

Les visites d'un réparateur agréé pour expliquer les fonctions du produit, son entretien ou son installation ne sont pas couvertes par cette garantie limitée. Veuillez contacter SAMSUNG au numéro ci-dessous pour obtenir de l'aide sur l'un de ces problèmes.

EXCLUSION DES GARANTIES IMPLICITES

LES GARANTIES IMPLICITES, Y COMPRIS LES GARANTIES IMPLICITES DE QUALITÉ MARCHANDE OU D'ADÉQUATION À UN USAGE PARTICULIER, SONT LIMITÉES À UN AN OU À LA PÉRIODE LA PLUS COURTE AUTORISÉE PAR LA LOI. Certains États n'autorisent pas les limitations sur la durée d'une garantie implicite, de sorte que les limitations ou exclusions ci-dessus peuvent ne pas s'appliquer à vous. Cette garantie vous confère des droits légaux spécifiques, vous pouvez également avoir d'autres droits qui varient d'un État à l'autre.

LIMITATION DES RECOURS

VOTRE SEUL ET UNIQUE RECOURS EST LA RÉPARATION DU PRODUIT, SON REMPLACEMENT OU LE REMBOURSEMENT DU PRIX D'ACHAT, À LA DISCRÉTION DE SAMSUNG, COMME LE PRÉVOIT LA PRÉSENTE GARANTIE LIMITÉE. SAMSUNG NE SERA PAS TENU RESPONSABLE DES DOMMAGES SPÉCIAUX, ACCESSOIRES OU INDIRECTS, Y COMPRIS, MAIS SANS S'Y LIMITER, LE TEMPS D'ABSENCE DU TRAVAIL, LES REPAS À L'HÔTEL ET/OU AU RESTAURANT, LES FRAIS DE REMODELAGE, LA PERTE DE REVENUS OU DE BÉNÉFICES, LA NON-RÉALISATION D'ÉCONOMIES OU D'AUTRES AVANTAGES, QUELLE QUE SOIT LA THÉORIE JURIDIQUE SUR LAQUELLE LA RÉCLAMATION EST FONDÉE, MÊME SI SAMSUNG A ÉTÉ INFORMÉ DE LA POSSIBILITÉ DE TELS DOMMAGES. Certains États n'autorisent pas les exclusions ou les limitations des dommages accessoires ou indirects, de sorte que les limitations ou exclusions ci-dessus peuvent ne pas s'appliquer à vous. Cette garantie vous confère des droits légaux spécifiques, vous pouvez également avoir d'autres droits qui varient d'un État à l'autre.

SAMSUNG ne garantit pas un fonctionnement continu ou sans erreur de ce produit. AUCUNE GARANTIE DONNÉE PAR UNE PERSONNE, UNE ENTREPRISE OU UNE SOCIÉTÉ EN CE QUI CONCERNE CE PRODUIT N'ENGAGE SAMSUNG.

Pour bénéficier d'un service d'assistance couvert par votre garantie, contactez SAMSUNG à l'adresse suivante :

1-800-SAMSUNG (726-7864)
www.samsung.com/us/support

Garantie (CANADA)

HOTTE ASPIRANTE SAMSUNG

Garantie limitée à l'acquéreur d'origine

Ce produit de la marque SAMSUNG, fourni et distribué par Samsung Electronics: Canada, Inc. (SAMSUNG) et livré neuf, dans son carton d'origine au consommateur l'ayant acheté s'accompagne d'une garantie de SAMSUNG contre tout vice de fabrication au niveau des pièces et de la main d'œuvre pendant une période limitée de :

Un (1) an de garantie pour les pièces et la main-d'œuvre

Cette garantie limitée prend effet à la date d'achat initiale et n'est valable que pour les produits achetés et utilisés au Canada. Pour se prévaloir du service de garantie, l'acheteur doit contacter SAMSUNG afin d'établir les procédures relatives au diagnostic et à l'intervention nécessaires. Pour être couverte par la garantie, la maintenance ne peut être effectuée que par un service technique agréé SAMSUNG. Lors de la remise d'un produit défectueux à SAMSUNG ou à un centre de service SAMSUNG agréé, l'acquéreur est tenu de présenter le coupon d'achat d'origine à la demande des intéressés à titre de preuve d'achat.

SAMSUNG réparera ou remplacera ce produit, à sa discrétion et sans frais comme stipulé dans le présent document, par des pièces ou des produits neufs ou remis à neuf s'il s'avère défectueux pendant la période de garantie limitée spécifiée ci-dessus. Toute pièce ou tout produit remplacé devient la propriété de SAMSUNG et doit lui être restitué. Les pièces et produits de rechange sont protégés pour le reste de la période de garantie initiale ou pour quatre-vingt-dix (90) jours, selon l'éventualité la plus éloignée.

Un service à domicile sera fourni pendant la période de garantie, sous réserve de disponibilité dans les régions contiguës du Canada.

Le service à domicile n'est pas disponible pour toutes les zones. Pour bénéficier du service à domicile, l'appareil doit être facilement accessible à notre personnel. Dans le cas où il serait impossible de réparer l'appareil au cours du service à domicile, il se peut que l'appareil doive être emporté, réparé et retourné.

Cette garantie limitée couvre les défauts de fabrication relatifs aux matériaux ou à la main d'œuvre survenant dans le cadre d'un usage normal et non commercial de ce produit et ne s'applique pas aux situations suivantes, sans pour autant s'y limiter : tout dommage survenant au cours de l'expédition, la livraison et l'installation ; toute utilisation de l'appareil contraire au but auquel il était destiné ; tout numéro de produit ou de série effacé ; tout dommage du revêtement extérieur ou de l'aspect du produit ; tout dommage causé par accident, abus, négligence, incendie, inondation, foudre ou autre catastrophe naturelle ; toute utilisation de produits, équipements, systèmes, appareils, services, pièces, fournitures, accessoires, applications, installations, réparations, câblages externes ou connecteurs non fournis ou autorisés par SAMSUNG et susceptibles d'endommager ledit appareil ou de nuire à son fonctionnement ; toute surtension, fluctuation ou tension de ligne électrique incorrecte ; tout réglage effectué par l'acquéreur et non-respect des instructions de fonctionnement, de nettoyage, d'entretien et de respect de l'environnement couvertes et prescrites dans le carnet d'instructions ; tout problème résultant d'une prolifération d'insectes nuisibles, d'une surchauffe ou d'un plat trop cuit par l'utilisateur ; les problèmes relatifs au plateau en verre ou au plateau tournant ou à une puissance réduite du magnétron en raison d'une usure normale. SAMSUNG ne garantit pas un fonctionnement continu ou sans erreur de ce produit.

Garantie (CANADA)

SAMSUNG NE FOURNIT AUCUNE AUTRE GARANTIE AUTRE QUE CELLES MENTIONNÉES ET DÉCRITES CI-DESSUS, ET AUCUNE GARANTIE, EXPRESSE OU IMPLICITE, Y COMPRIS, MAIS SANS S'Y LIMITER, LES GARANTIES IMPLICITES DE QUALITÉ COMMERCIALE OU D'APTITUDE À UN USAGE PARTICULIER, NE DOIT S'APPLIQUER APRÈS EXPIRATION DES PÉRIODES DE GARANTIE EXPRESSES CONSIDÉRÉES CI-DESSUS, ET AUCUNE AUTRE GARANTIE EXPRESSE RELATIVE AU PRÉSENT PRODUIT, QU'ELLE SOIT DONNÉE PAR UNE TIERCE PERSONNE, UNE ENTREPRISE OU UNE PERSONNE MORALE NE POURRA ÊTRE CONSIDÉRÉE COMME UN ENGAGEMENT DE LA PART DE SAMSUNG. SAMSUNG N'ENDOSSE AUCUNE RESPONSABILITÉ EN CAS DE PERTE DE REVENU, DE MANQUE À GAGNER, D'INCAPACITÉ À RÉALISER DES ÉCONOMIES OU TOUT AUTRE AVANTAGE FINANCIER, OU EN CAS DE DOMMAGE RÉSULTANT DE L'UTILISATION OU D'UNE MAUVAISE UTILISATION DE CET APPAREIL OU D'UNE INCAPACITÉ À UTILISER CET APPAREIL, QUELLE QUE SOIT LA BASE LÉGALE SUR LAQUELLE REPOSE LA PLAINTÉ, ET MÊME SI SAMSUNG A ÉTÉ AVERTIE DE L'ÉVENTUALITÉ DE TELS DOMMAGES. TOUT TYPE DE COMPENSATION EXIGÉE AUPRÈS DE SAMSUNG NE SAURA EN AUCUN CAS EXCÉDER LE PRIX D'ACHAT DU PRODUIT VENDU PAR SAMSUNG ET À L'ORIGINE DES DOMMAGES ALLÉGUÉS. SANS LIMITER CE QUI SUIV, L'ACQUÉREUR PREND EN CHARGE TOUS LES RISQUES ET RESPONSABILITÉS CONCERNANT LA PERTE, LES DOMMAGES OU LES BLESSURES INFLIGÉES À L'ACQUÉREUR ET AUX BIENS DE CELUI-CI ET À TOUTE AUTRE PERSONNE ET BIENS RÉSULTANT DE L'UTILISATION, LA MAUVAISE UTILISATION DE L'APPAREIL ET L'INCAPACITÉ À UTILISER LE PRÉSENT APPAREIL VENDU PAR SAMSUNG ET QUI NE SERAIT PAS LIÉE DIRECTEMENT À UNE NÉGLIGENCE DE LA PART DE SAMSUNG. CETTE GARANTIE LIMITÉE N'EST VALABLE POUR PERSONNE D'AUTRE QUE L'ACHÉTEUR INITIAL DU PRODUIT, N'EST PAS TRANSFÉRABLE ET ÉNONCE VOTRE RECOURS EXCLUSIF.

Certains États et certaines juridictions n'autorisent pas de limitations quant à la durée des garanties implicites ni l'exclusion ou la limitation de dommages accessoires ou indirects; il se peut par conséquent que les limitations et exclusions énoncées ci-dessus ne s'appliquent pas à votre cas. Cette garantie vous confère des droits légaux spécifiques, vous pouvez également avoir d'autres droits qui varient d'un État à l'autre.

Pour bénéficier d'un service d'assistance couvert par votre garantie, contactez SAMSUNG à l'adresse suivante :

1-800-SAMSUNG (726-7864)

www.samsung.com/ca/support (anglais),

www.samsung.com/ca_fr/support (français)

Notes

UNE QUESTION ? UN COMMENTAIRE ?

PAYS	N° DE TÉLÉPHONE	SITE INTERNET
U.S.A Consumer Electronics	1-800-SAMSUNG (726-7864)	www.samsung.com/us/support
CANADA	1-800-SAMSUNG (726-7864)	www.samsung.com/ca/support (English) www.samsung.com/ca_fr/support (French)



DG68-01416C-02