

NK30CB700W

SAMSUNG

30" Range Hood



Signature Features

Triple Air Sensor

- The Triple Air Sensor detects air quality and turns on or adjusts power levels to improve it.*

*In the event installation using recirculation kit impacts ventilation performance and Triple Air Sensor, opening a window to ventilate is recommended. Recirculation kit sold separately.

Powerful Performance and Low Noise

- Powerful 630 CFM* ventilation circulates air to remove odors quickly, operating at 6.0 sones on Boost fan speed setting.

*When using Boost mode. Hood arrives pre-programmed to 390 CFM.

Wi-Fi Connectivity

- Control your hood by smartphone through the SmartThings App. Once your cooktop burner is powered on, the hood turns on.*

*Compatible when connected with Wi-Fi enabled built-in cooktops and ranges. Available when it is set using the "Automations" option in the SmartThings App.

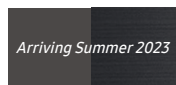
Available Colors



Clean Grey Panel/
Stainless Steel Duct (shown)



Clean White Panel/
Stainless Steel Duct



Clean Deep Charcoal Panel/
Black Stainless Steel Duct



Clean White Panel/
Stainless Steel Duct



Clean Deep Charcoal Panel/
Black Stainless Steel Duct

Arriving Summer 2023

Features

- Triple Air Sensor
- 50 dBA (1.0 Sone) in Low Mode / 69 dBA (6.0 Sones) in Boost Mode
- 4 Fan Speeds, Including Booster
- LCD Display/Touch Controls
- Wall-Mount Chimney-Style Hood
- Exterior Venting & Recirculating Capabilities
- Optional Recirculation Kit Available
- Optional Extension Kit Available
- Optional Recirculation Filter Available

Convenience

- LED Bar Lighting
- Easy-to-Clean Baffle Filters



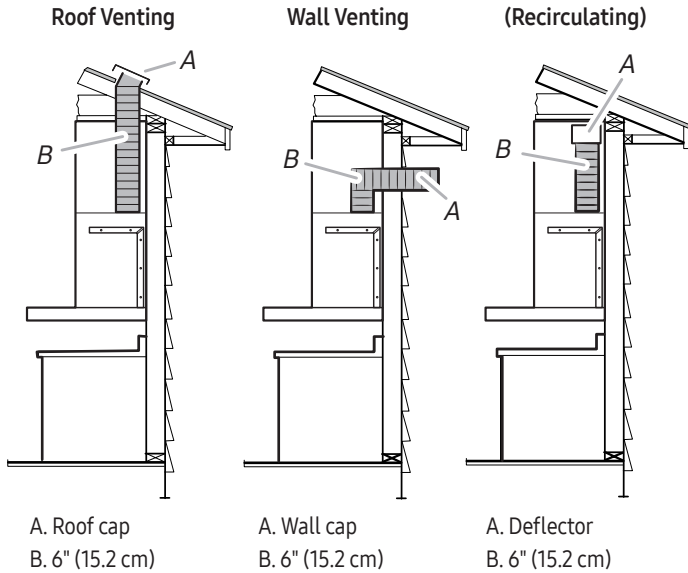
ADA Compliant

NK30CB700W

SAMSUNG

30" Range Hood

Venting Methods



Total Power

210W

Power Source

120V / 60 Hz / 15A

Range Hood

- 30" Wall-Mount Chimney-Style Hood
- Vent Fan: 630 CFM (Hood arrives pre-programmed to 390 CFM)
- 50 dBA (1.0 Sone) in Low Mode / 69 dBA (6.0 Sones) in Boost Mode
- 4 Fan Speeds, Including Booster
- LCD Display/Touch Controls
- SmartThings App Automation: Cooktop/Range Connectivity, Lighting On/Off, Fan Speed
- Mobile Monitoring: Fan Speed, Lighting On/Off, Power Control
- Voice Control: Bixby/Google Assistant/Amazon Alexa
- Removable Baffle Filters (Dishwasher safe)
- LED Bar Lighting

Warranty

Two (2) Years Parts and Labor*

*Effective for purchases made between 3/1/23 - 9/30/23; proof of purchase required.

Product Dimensions & Weight (WxHxD)

Outside (Max) Hood Dimensions:

29⁷/₈" x 25⁷/₁₆" x 19¹¹/₁₆"

Weight: 35.7 lbs

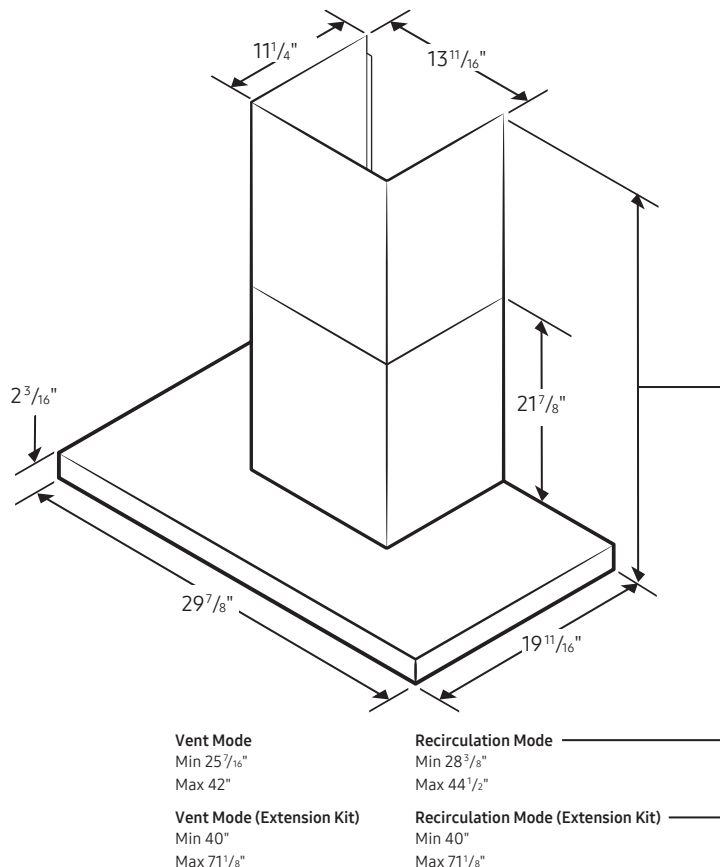
Shipping Dimensions & Weight (WxHxD)

Dimensions:

33³/₁₆" x 25²⁵/₃₂" x 19¹¹/₁₆"

Weight: 59.5 lbs

Dimensions and Clearance



Color

Clean White Panel/
Stainless Steel Duct

Clean Grey Panel/
Stainless Steel Duct

Clean Deep Charcoal
Panel/Black Stainless
Steel Duct

Model

NK30CB700W12AA

NK30CB700WCGAA

NK30CB700W33AA

UPC Code

887276724201

887276724225

887276724218

Optional Accessories

Stainless Steel Hood
Extension Kit

Black Stainless Steel
Hood Extension Kit

Recirculation Kit

Recirculation Filter

NK-AE7000WS

NK-AE7000WG

NK-AR7000WB

NK-AF7000WB

887276749662

887276749655

887276749686

887276749679