

# NK36K7000WS

## 36" Range Hood

### Features

- Wi-Fi Monitoring
- ADA Compliant
- 3 Fan Speeds including Booster
- Wall-Mounted Chimney Style
- Digital Touch Control
- Exterior Venting
- 74 dBA Noise Level

### Convenience

- LED Lighting



Baffle Filter



Wi-Fi Monitoring

### Available Colors



Stainless Steel (shown)



Black Stainless Steel

## Signature Features

### BLUETOOTH CONNECTED HOOD

- Automatically sync the fans and the lights with the cooktop through Bluetooth.<sup>1</sup>  
<sup>1</sup>Only on select Samsung cooktops.

### BAFFLE FILTER

- Dishwasher-safe metal filters help keep the air clean by drawing grease and odor through the hood.

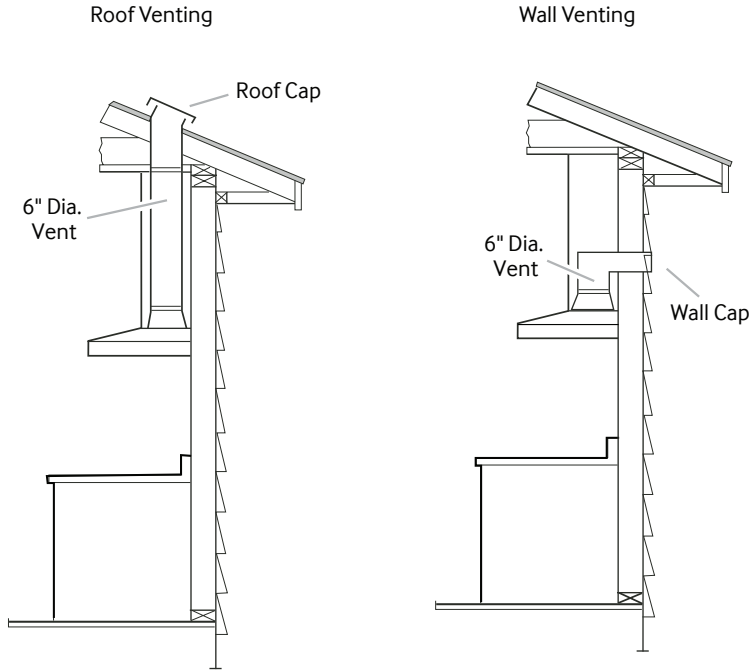
### POWERFUL 600 CFM VENTILATION

- Circulates air to remove odors quickly.

# NK36K7000WS

## 36" Range Hood

### Venting Methods



### Total Power

220W

### Power Source

120V / 60 Hz / 15A

### Range Hood

- 36" Stainless Steel Chimney Hood
- Vent Fan: 600 CFM
- Front-Centered, Touch Control
- 4 Fan Speeds: 3 Step, 1 Booster
- 74 dBA Noise Level
- Hood Connectivity Control
- Bluetooth On/Off Control
- Mobile Monitoring: Fan Speed, Lighting On/Off, Power Control
- Removable Baffle Filter
- LED Lighting

### Warranty

One (1) Year All Parts and Labor

### Product Dimensions & Weight (WxHxD)

Outside (Max) Hood Dimensions:

36" x 25<sup>25</sup>/<sub>64</sub>" x 19<sup>11</sup>/<sub>16</sub>"

Weight: 48.5 lbs.

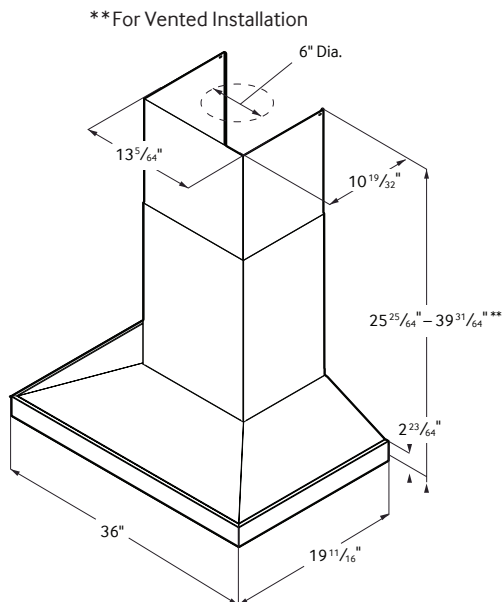
### Shipping Dimensions & Weight (WxHxD)

Dimensions:

40<sup>3</sup>/<sub>16</sub>" x 26<sup>1</sup>/<sub>2</sub>" x 18<sup>1</sup>/<sub>16</sub>"

Weight: 60.4 lbs.

### Dimensions and Clearance



### Color

Stainless Steel

### Model #

NK36K7000WS

### UPC Code

887276182988

Black Stainless Steel

NK36K7000WG

887276182971

**SAMSUNG**

Actual color may vary. Design, specifications, and color availability are subject to change without notice. Non-metric weights and measurements are approximate.

©2017 Samsung Electronics America, Inc. 85 Challenger Road, Ridgefield Park, NJ 07660. Tel: 800-SAMSUNG. samsung.com. Samsung is a registered trademark of Samsung Electronics Co., Ltd.