

RF23M8070SR

SAMSUNG

23 cu. ft. Counter-Depth, 4-Door French Door Refrigerator



Signature Features

AutoFill Water Pitcher

- A built-in pitcher that refills with filtered water and the option to infuse with a flavor of your choice.

FlexZone™ Drawer

- A flexible storage drawer with four different temperature settings and an adjustable Smart Divider to stay organized.

Fingerprint Resistant Finish

- A special finish to reduce smudges and minimize cleaning.

Available Colors



Fingerprint Resistant
Stainless Steel (shown)



Fingerprint Resistant
Black Stainless Steel



Fingerprint Resistant
Tuscan Stainless Steel



FlexZone™ Drawer



AutoFill Water Pitcher

Convenience

- AutoFill Water Pitcher
- FlexZone™ Drawer with 4 Temperature Settings and Smart Divider
- Wi-Fi Ready
- Adjustable Shelves for Tall Oversized Items
- Auto Pull-Out Upper Freezer Drawer
- Sabbath Mode
- Water Filter Indicator

Design

- Counter Depth
- Fingerprint Resistant Finish
- Modern External Filtered Water and Ice Dispenser
- High Efficiency LED Lighting
- EZ-Open Handle™ on Freezer Door and FlexZone™ Drawer
- Tempered Glass Spill-Proof Shelves
- Gallon Door Bins
- Dispenser Light

Performance

- Twin Cooling Plus®
- Ice Max - Stores up to 2.7 lbs of ice
- ENERGY STAR® Compliant
- Power Freeze and Power Cool Options
- Two Humidity-Controlled Crispers
- CoolTight Door
- Door Alarm

Rating



ENERGY STAR® rated:
CEE Tier 1
633 kWh/yr

RF23M8070SR

SAMSUNG

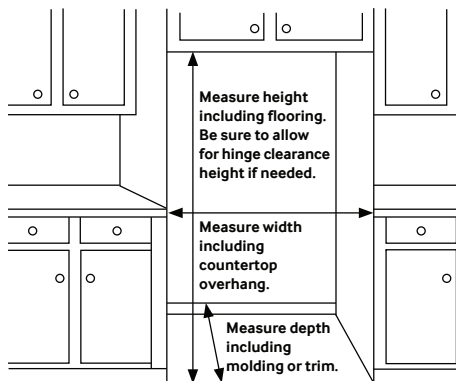
23 cu. ft. Counter-Depth, 4-Door French Door Refrigerator

Installation Specifications

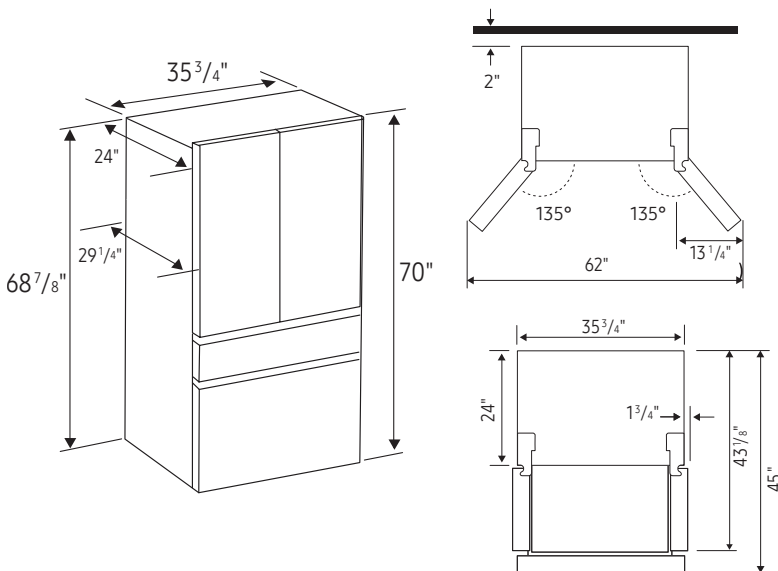
1. Measure the height, width and depth of the opening, making sure to include baseboards, molding tile, countertop overhang, etc. Check to be sure there is enough room to open the door (consider walls, islands or other obstacles when measuring).
2. Refer to illustration below to determine dimensions.
3. Allow 2.5" of clearance on hinge side of refrigerator when installing next to a wall where handle may make contact.
4. Allow 1" minimum clearance at rear for proper air circulation and water/electrical connections. Allow a 3/8" minimum clearance at sides and top for ease of installation.
5. Ensure each door and entryway in the home is wide enough for the refrigerator to be moved through easily.

For optimal usage and to be able to open refrigerator doors completely, do not install next to a wall.

Please note: The following dimension and cutout information is for planning purposes only. For complete installation details, consult manual packed with product, or download manual online at samsung.com.



Dimensions



Total Capacity: 22.6 cu. ft.

Refrigerator: 12.9 cu. ft.

- 2 Humidity-Controlled Crispers
 - 1 Slide-In
 - 1 Foldable Half
 - 2 Fixed
 - 1 Full-Width Glass Shelf on Crisper
- 7 Door Bins
 - Right Door: 3 Gallon Bins
 - Left Door: 4 Regular Bins
- High Efficiency LED Lighting

FlexZone™ Drawer: 3.1 cu. ft.

- 4 Temperature Zones with Smart Divider
 - Meat/Fish (29°F)
 - Cold Drinks (33°F)
 - Deli/Snacks (37°F)
 - Wine/Party Dishes (42°F)

Freezer: 6.6 cu. ft.

- 1 Drawer Divider
- High Efficiency LED Lighting

Warranty

One (1) Year Parts and Labor on Refrigerator
Five (5) Years Parts and Labor on Sealed Refrigeration System Only*
Ten (10) Years Parts and Five (5) Years Labor on Digital Inverter Compressor

*Compressor, evaporator, condenser, drier and connecting tubing.

Product Dimensions & Weight

Dimensions (WxHxD with hinges, handles and doors):
35³/₄" x 70" x 29¹/₄"

Dimensions (WxHxD without hinges and door):
35³/₄" x 68⁷/₈" x 24"

Dimensions (WxHxD with hinge and door, no handle):
35³/₄" x 70" x 29¹/₄"

Weight: 342 lbs

Shipping Dimensions & Weight (WxHxD)

Dimensions: 38¹/₄" x 75³/₄" x 31¹/₄"

Weight: 366 lbs

Color	Model #	UPC Code
Fingerprint Resistant Stainless Steel	RF23M8070SR/AA	887276192604
Fingerprint Resistant Black Stainless Steel	RF23M8070SG/AA	887276192598
Fingerprint Resistant Tuscan Stainless Steel	RF23M8070DT/AA	887276355139