

RF27CG5100SR

SAMSUNG

Large Capacity 3-Door French Door 27 cu. ft. Counter Depth Refrigerator with Dual Auto Ice Maker



Signature Features

Large Counter Depth 27 cu. ft. Capacity

Store more groceries with more room to stay organized. Large 27 cu. ft. capacity fits big and bulky items with easy access to everything you need.

Dual Auto Ice Maker

Enjoy your favorite beverage with your choice of ice. Choose from cubed ice or Ice Bites™ that chill your drink faster.*

*Compared to cubed ice.

Modern Design

A flat-front design with low-profile door handles and recessed drawer handle fits seamlessly into your kitchen.

Available Color



Fingerprint Resistant
Stainless Steel



Large 27 cu. ft. Capacity



Dual Auto Ice Maker

Design

- Large Counter Depth Capacity of 27 cu. ft.
- High-Efficiency LED Lighting
- Gallon Door Bin
- Fingerprint Resistant Finish

Technology

- Wi-Fi Enabled
- Power Cool & Power Freeze
- Door Alarm
- Water Filter Indicator

Performance

- Dual Auto Ice Maker with Ice Bites™ and Cubed Ice
- SmartThings Energy*

*Available on Android and iOS devices. A Wi-Fi connection and a Samsung account are required.



Rating



ENERGY STAR® rated:
657 kWh/yr

RF27CG5100SR

SAMSUNG

Large Capacity 3-Door French Door 27 cu. ft. Counter Depth Refrigerator with Dual Auto Ice Maker

Installation Specifications

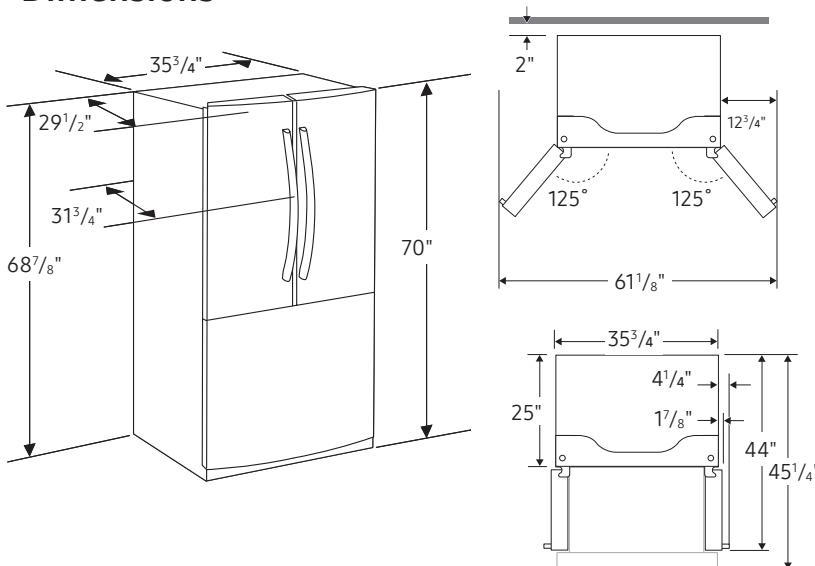
1. Measure the height, width and depth of the opening, making sure to include baseboards, molding tile, countertop overhang, etc. Check to be sure there is enough room to open the door (consider walls, islands or other obstacles when measuring).
2. Refer to illustration below to determine dimensions.
3. Allow 2.5" of clearance on hinge side of refrigerator when installing next to a wall where handle may make contact.
4. Allow 1" minimum clearance at rear for proper air circulation and water/electrical connections. Allow a 3/8" minimum clearance at sides and top for ease of installation.
5. Ensure each door and entryway in the home is wide enough for the refrigerator to be moved through easily.

For optimal usage and ability to open refrigerator doors completely, do not install next to a wall.

Please note: The following dimensions and cutout information is for planning purposes only. For complete installation details, consult manual packed with product or download manual online at samsung.com.



Dimensions



Total Capacity: 26.5 cu. ft.

Refrigerator: 19.0 cu. ft.

- 4 Tempered Glass Spill-Proof Shelves
- Full-Width Drawer
- 2 Clear Drawers
- 8 Door Bins
Right: 1 Gallon Bin, 3 Regular Bins
Left: 1 Gallon Bin, 3 Regular Bins
- High-Efficiency LED Lighting

Freezer: 7.5 cu. ft.

- Dual Ice Maker in Freezer (Cubed Ice or Ice Bites™)
2 Removable Ice Buckets and 1 Scoop
- 1 Large Opaque Bin with 1 Divider
- High-Efficiency LED Lighting

Accessories

Water Filter: HAF-QIN

Warranty

One (1) Year Parts and Labor on Refrigerator
Five (5) Years Parts and Labor on Sealed Refrigeration System Only*
Ten (10) Years Parts and Five (5) Years Labor on Digital Inverter Compressor

*Compressor, evaporator, condenser, drier and connecting tubing.

Product Dimensions & Weight

Dimensions (WxHxD with hinges, handles and doors):
35³/₄" x 70" x 31³/₄"

Dimensions (WxHxD without hinges and door):
35³/₄" x 68⁷/₈" x 25"

Dimensions (WxHxD with hinge and door, no handle):
35³/₄" x 70" x 29¹/₂"

Weight: 270 lbs

Shipping Dimensions & Weight (WxHxD)

Dimensions: 37³/₄" x 75⁷/₁₆" x 31⁹/₁₆"

Weight: 280 lbs

Color

Fingerprint Resistant
Stainless Steel

Model

RF27CG5100SR

UPC Code

88727679226