

# DVG45M5500Z

SAMSUNG

## Samsung Front-Load Gas Dryer

7.5 cu. ft. Capacity DOE



### Signature Features

#### 2017 ENERGY STAR® Certified

- Meets the strict 2017 energy efficiency specifications and standards.

#### Multi-Steam Technology

- Steam away wrinkles, odors, bacteria, and static.

#### Vent Sensor

- Detects duct blockages and reminds you to clean your vent.

### Available Colors



Azure Blue (shown)



Platinum



White



Multi-Steam Technology



Sensor Dry

### Features

- 2017 ENERGY STAR® Certified
- Multi-Steam Technology
- Vent Sensor
- Sensor Dry
- Smart Care
- 10 Preset Dry Cycles
- 12 Options
- 4 Temperature Settings
- Interior Drum Light
- 7.5 cu. ft. Capacity
- LED Display: Ice Blue
- Reversible See-Through Door
- Wrinkle Prevent Option
- 3-Way Venting
- Powder Coat Interior

### Convenience

- Child Lock
- My Cycle Option
- Filter Check Indicator

### Rating



ENERGY STAR®-rated  
607 kWh/yr

# DVG45M5500Z

**SAMSUNG**

## Samsung Front-Load Gas Dryer

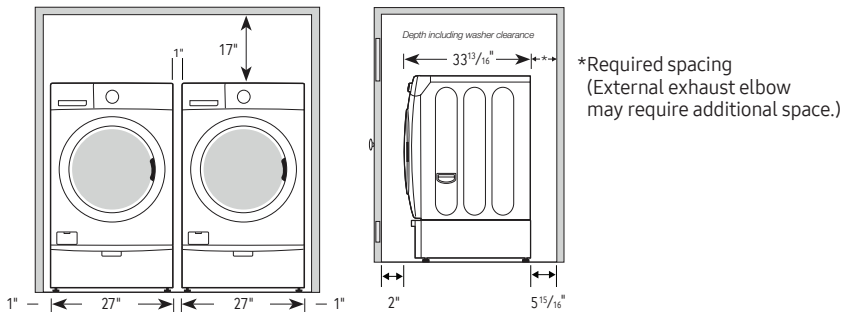
7.5 cu. ft. Capacity DOE

### Installation Specifications

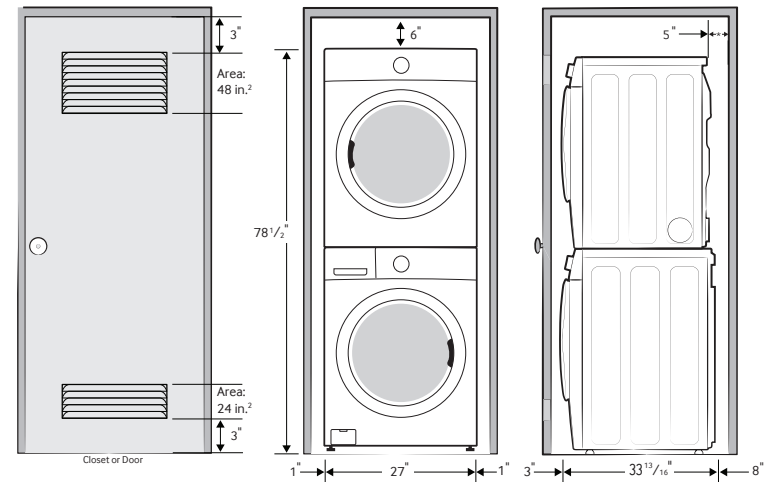
If the washer and dryer are installed together or the dryer alone, the closet front must have two unobstructed air openings for a combined minimum total area of 72-inch<sup>2</sup> (see stacked build below). Your washer alone does not require a specific air opening.

#### 1. Alcove or closet installation

Minimum Clearance for Closet and Alcove Installations:

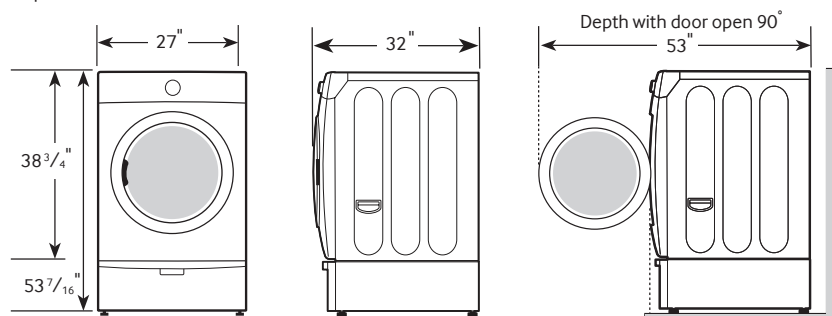


#### 2. With stacked washer and dryer



### Dimensions

Required Dimensions for Installation with Pedestal:



#### 3-Way Venting

#### 10 Preset Dry Cycles:

Refresh, Wrinkle Away, Normal, Heavy Duty, Permanent Press, Bedding, Delicates, Sanitize, Time Dry, Quick Dry

#### 12 Options:

Mixed Load Bell, Wrinkle Prevent, Anti-Static, Small Load Care, My Cycle, Adjust Time (up), Adjust Time (down), Eco Dry, Sound, Child Lock, Smart Care, Drum Light

#### 4 Temperature Settings:

High, Medium, Low, Extra Low

#### 4 Dry Levels:

Very Dry, More Dry, Normal Dry, Damp Dry

#### Warranty

One (1) Year Parts and Labor

#### Product Dimensions & Weight (WxHxD)

Dimensions: 27" x 38<sup>3</sup>/<sub>4</sub>" x 32"

Weight: 121 lbs

#### Shipping Dimensions & Weight (WxHxD)

Dimensions: 29<sup>3</sup>/<sub>8</sub>" x 42<sup>1</sup>/<sub>8</sub>" x 33<sup>1</sup>/<sub>2</sub>"

Weight: 130 lbs

Gas	Model #	UPC Code
Azure Blue	DVG45M5500Z	887276202341
Platinum	DVG45M5500P	887276197166
White	DVG45M5500W	887276197173
Electric		
Azure Blue	DVE45M5500Z	887276202464
Platinum	DVE45M5500P	887276197135
White	DVE45M5500W	887276197159

#### Matching Washer

Azure Blue	WF45M5500AZ	887276201634
Platinum	WF45M5500AP	887276195353
White	WF45M5500AW	887276195360