

# WF45K6500AV

Samsung Front-Load Washer

## 4.5 cu. ft. Capacity

### Features

- AddWash™
- Super Speed
- Steam Wash
- VRT Plus™
- Self Clean+
- Smart Home Ready
- Diamond Drum Design
- Direct Drive Motor
- 1300 RPM Maximum Spin Speed
- 14 Preset Wash Cycles
- 12 Options

### Convenience

- Child Lock
- Door Lock
- Dispenser Trays: Prewash, Main Wash, Softener, Bleach



ENERGY STAR®-rated:

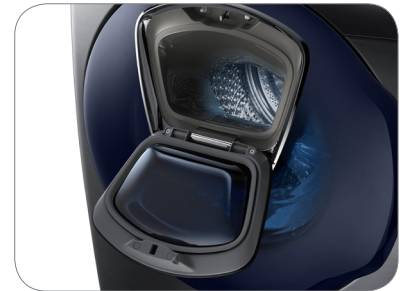
CEE Tier 2

IMEF=2.8

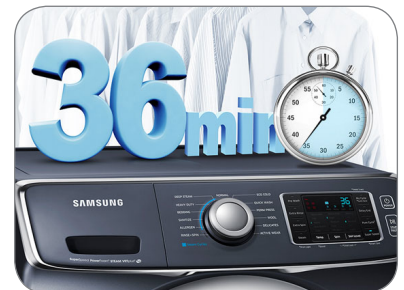


IWF=3.0

100 kWh/yr



AddWash™



Super Speed

### Available Colors:



Black Stainless Steel



White

## Signature Features

### AddWash™

- Conveniently add in forgotten laundry after the cycle has begun with the AddWash™ door.
- Save time and energy by not doing an additional load of laundry.

### SUPER SPEED

- Breakthrough technology provides a 40% faster and thorough wash cycle.
- Wash a full load in only 36 minutes.<sup>1</sup>

<sup>1</sup>Normal 1-hour wash can be completed in as little as 36 minutes as compared to WF511 washer without Super Speed. Based on DOE standard's average of 7.5 loads per week.

### 4.5 CU. FT. CAPACITY

- Large capacity 27" washer lets you wash up to 3 laundry baskets in a single load.<sup>2</sup>
- Fit more laundry – so you can do fewer loads.

<sup>2</sup>Based on an 8-lb. load of laundry.

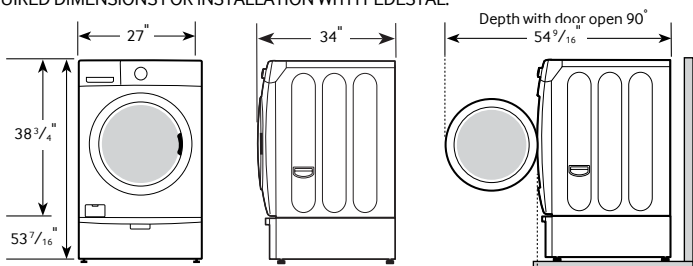
**SAMSUNG**

# WF45K6500AV

## Samsung Front-Load Washer

### Dimensions

REQUIRED DIMENSIONS FOR INSTALLATION WITH PEDESTAL:

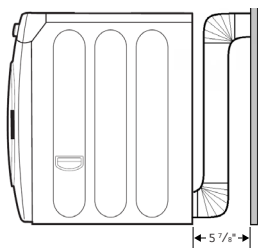
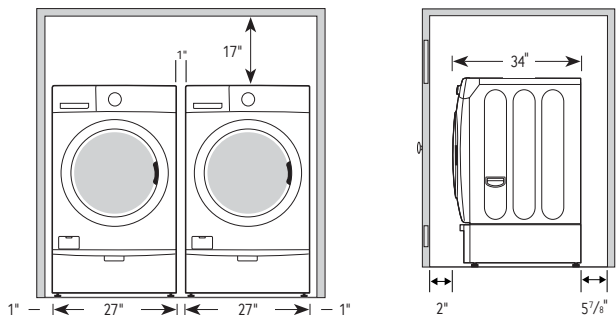


### Installation Specifications

If the washer and dryer are installed together or the dryer alone, the closet front must have two unobstructed air openings for a combined minimum total area of 72 in.<sup>2</sup> (see stacked build below). Your washer alone does not require a specific air opening.

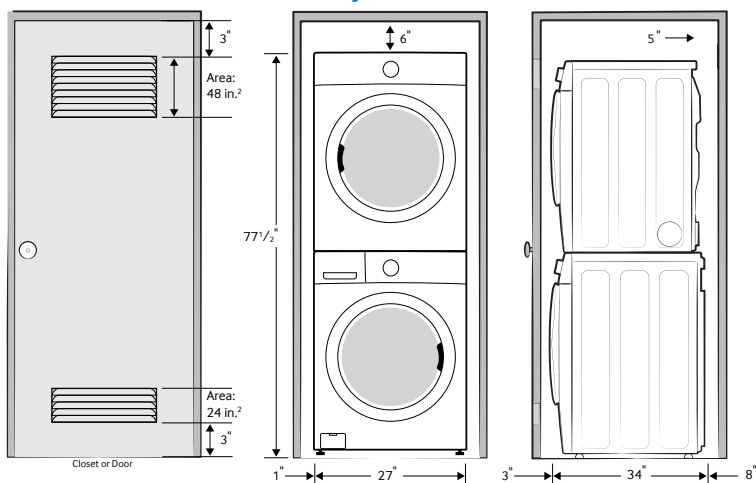
#### 1. Alcove or closet installation

MINIMUM CLEARANCES FOR CLOSET AND ALCOVE INSTALLATIONS:



When installing with matching dryer, if the exhaust duct is installed at the rear of the dryer, the rear must have at least 5 7/8 inch clearance.

#### 2. With stacked washer and dryer



### 4.5 cu. ft. Capacity

#### 14 Preset Wash Cycles:

Normal, Heavy Duty, Permanent Press, Sanitize, Allergen, Towels, Bedding, Deep Steam, Whites, Active Wear, Delicates, Wool, Quick Wash, Rinse and Spin

#### 12 Options:

Super Speed, Steam, Self Clean+, Delay End, My Cycle, Prewash, Extra Rinse, Extra Spin, Spin Only, Sound, Child Lock, Smart Care

#### 5 Temperature Settings:

Extra Hot, Hot, Warm, Eco Warm, Cold

#### 5 Spin Settings:

Extra High, High, Medium, Low, No Spin

#### 5 Soil Settings:

Heavy, Heavy Medium, Normal, Low Medium, Light

#### Dispenser Trays:

Prewash, Main Wash, Softener, Bleach

#### Warranty

One (1) Year Parts and Labor  
One (1) Year Control Board  
Three (3) Years Stainless Steel Drum  
Ten (10) Years Direct Drive Motor

#### Product Dimensions & Weight (WxHxD)

Dimensions: 27" x 38 3/4" x 34"

Weight: 227 lbs

#### Shipping Dimensions & Weight (WxHxD)

Dimensions: 29 3/8" x 41 3/4" x 35 1/4"

Weight: 233 lbs

Color	Model#	UPC Code
Black Stainless Steel	WF45K6500AV	887276138121
White	WF45K6500AW	887276138138

#### Matching Dryer (Electric/Gas)

Black Stainless Steel	DV45K6500EV	887276138381
White	DV45K6500EW	887276138404
Black Stainless Steel	DV45K6500GV	887276138411
White	DV45K6500GW	887276138428

#### Optional Stacking Kit

Sold separately SKK-7A 887276146423



Actual color may vary. Design, specifications, and color availability are subject to change without notice. Non-metric weights and measurements are approximate.

©2016 Samsung Electronics America, Inc. 85 Challenger Road, Ridgefield Park, NJ 07660. Tel: 800-SAMSUNG. samsung.com. Samsung is a registered trademark of Samsung Electronics Co. Ltd.